

THERMA TRU®

118 INDUSTRIAL DR., EDGERTON, OH 43517
TEL. (419)298-1740

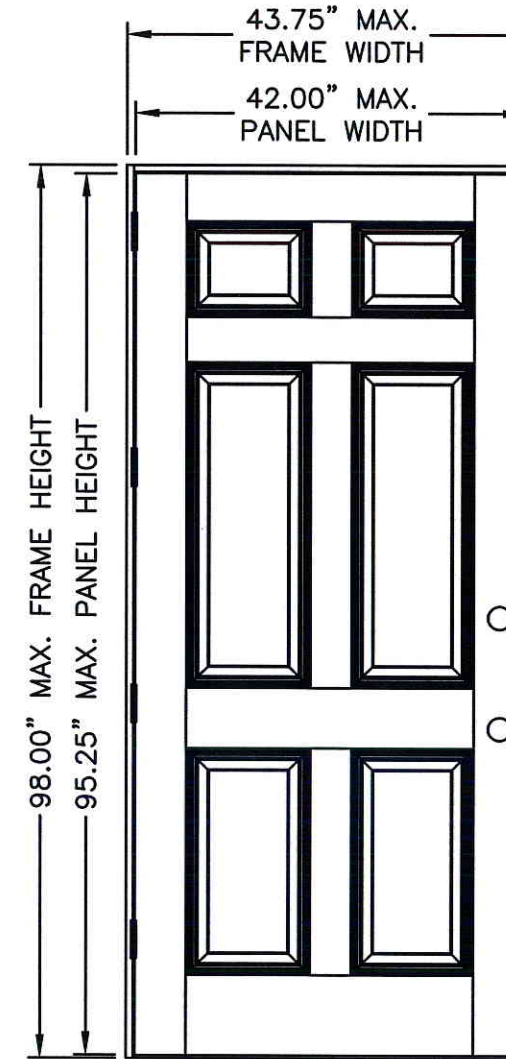
CLASSIC CRAFT & CLASSIC CRAFT RUSTIC SINGLE "IMPACT" DOOR INSWING / OUTSWING

EVALUATED FOR USE IN THE STATE OF TEXAS

The Fiberglass Glazed Door described herein complies with the 2006 International Residential Code (IRC), Sections R301 & R613 and the 2006 International Building Code (IBC), Sections 1405.12, 1609, 1714.5, 2403 and 2404 (including Texas revisions) subject to the following conditions:

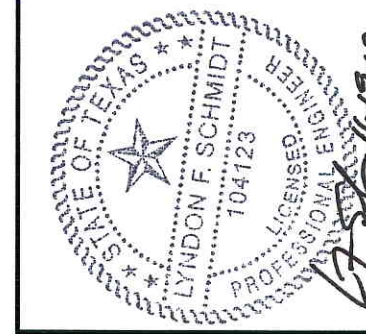
1. Anchors shall be as listed and spaced as shown in the details. Anchor embedment to base material shall be beyond wall dressing or stucco.
2. This system has been tested and evaluated as a large missile impact protective system for installation in the Seaward, Inland I and Inland II areas. This product meets missile level "D" as defined in ASTM E 1996.
3. Allowable design pressure requirements must be equal to or less than the design pressure rating shown in the design pressure chart, sheet 1 of this drawing.
4. Conditions not covered by this drawing are subject to further engineering analysis.

TABLE OF CONTENTS	
SHEET #	DESCRIPTION
1	TYPICAL ELEVATION, DESIGN PRESSURES & GENERAL NOTES
2	DOOR PANEL DETAILS (CLASSIC CRAFT)
3	DOOR PANEL DETAILS (CLASSIC CRAFT RUSTIC)
4	HORIZONTAL CROSS SECTIONS
5	VERTICAL CROSS SECTIONS
6	FRAME ANCHORING
7	BILL OF MATERIALS & COMPONENTS



"CLASSIC CRAFT" & "CLASSIC CRAFT RUSTIC"

DOOR TYPE	SWING	OVERALL FRAME DIMENSION	DESIGN PRESSURE	
			POSITIVE	NEGATIVE
CLASSIC CRAFT	OUTSWING	43.75" X 96.50"	+65.0	-65.0
	INSWING	43.75" X 98.00"	+65.0	-65.0
CLASSIC CRAFT RUSTIC	OUTSWING	43.75" X 96.50"	+65.0	-65.0
	INSWING	43.75" X 98.00"	+65.0	-65.0



Documents Prepared By: Lyndon F. Schmidt, P.E.
TEXAS P.E. #104123

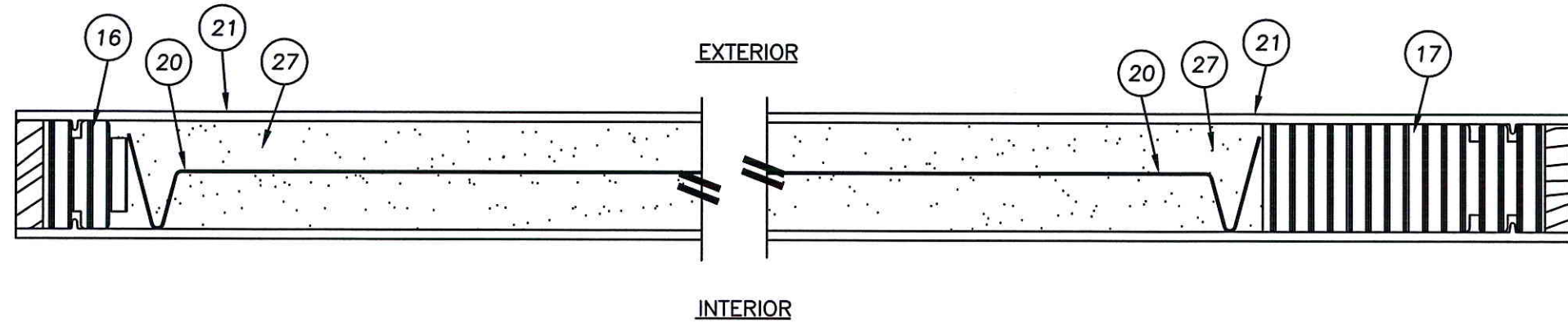
RW BUILDING CONSULTANTS, INC.
P.O. Box 230 Valrico FL 33595
Phone No.: 813.659.9197

TEXAS BOARD OF PROFESSIONAL ENGINEERS
CERTIFICATE OF REGISTRATION # F-11852

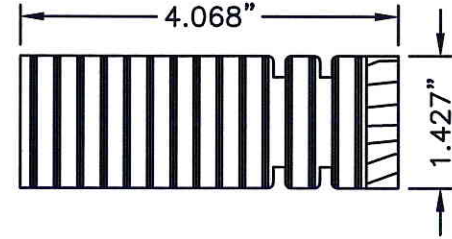
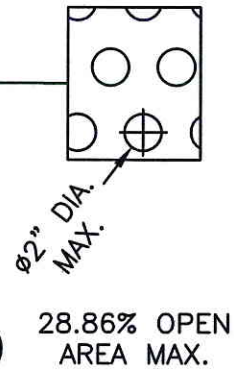
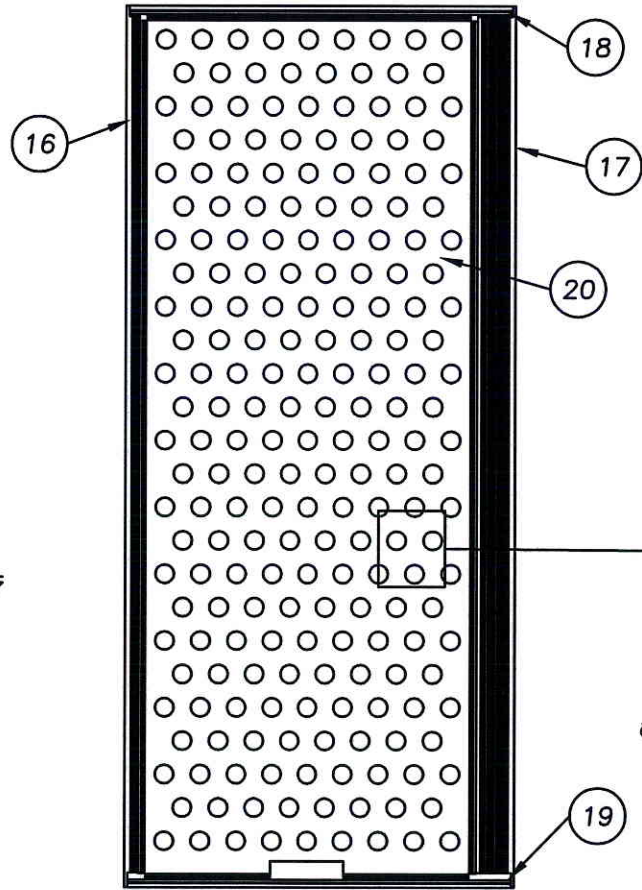
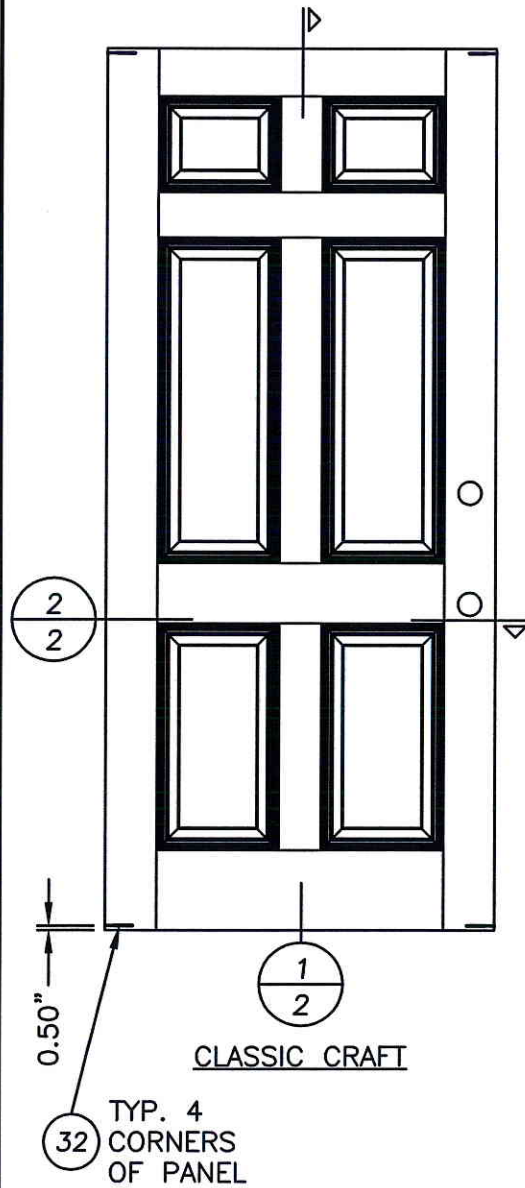
PRODUCT: SINGLE OPAQUE FIBERGLASS DOOR
"IMPACT" INSWING / OUTSWING
PART OR ASSEMBLY:
TYPICAL ELEVATION, DESIGN PRESSURES & GENERAL NOTES

NO.	DATE	BY	REVISIONS

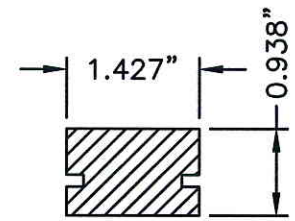
DATE: 7/16/12
SCALE: N.T.S.
DWG. BY: JK
CHK. BY: LFS
DRAWING NO.: TX-4179
SHEET 1 OF 7



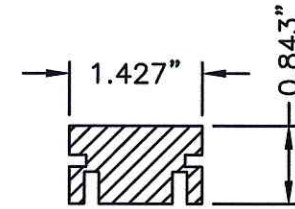
2 HORIZONTAL CROSS SECTION
2 CLASSIC CRAFT



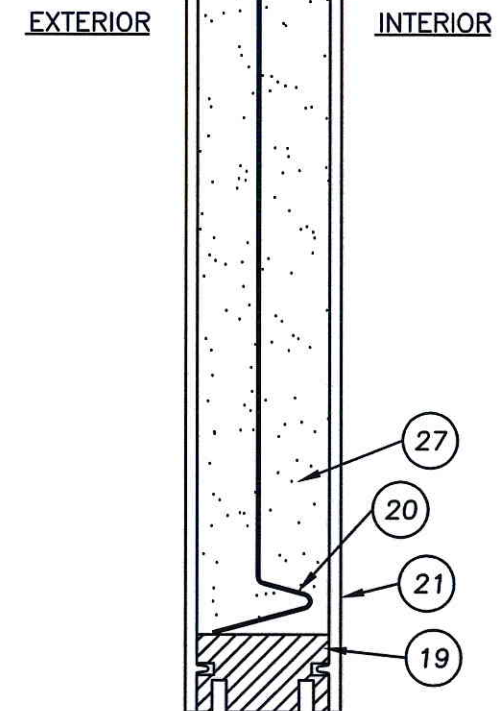
17 LOCK STILE
CLASSIC CRAFT



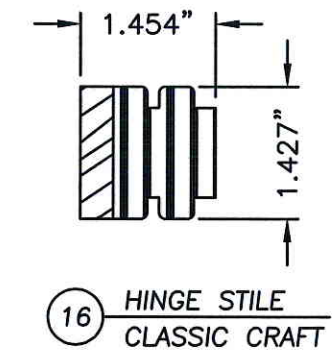
18 TOP RAIL
CLASSIC CRAFT



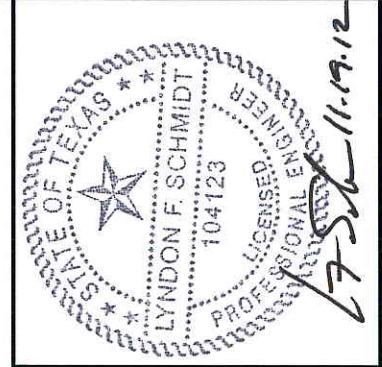
19 BOTTOM RAIL
CLASSIC CRAFT



1 VERTICAL CROSS SECTION
2 CLASSIC CRAFT



16 HINGE STILE
CLASSIC CRAFT



Documents Prepared By: Lyndon F. Schmidt, P.E.
TEXAS P.E. #104123

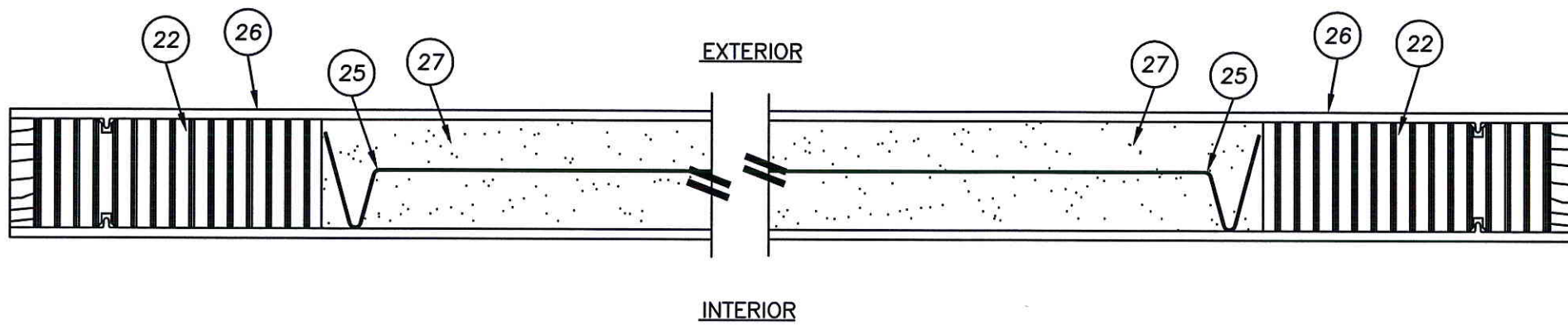
RW BUILDING CONSULTANTS, INC.
P.O. Box 230 Valrico FL 33595
Phone No.: 813.659.9197

TEXAS BOARD OF PROFESSIONAL ENGINEERS
CERTIFICATE OF REGISTRATION # F-11852

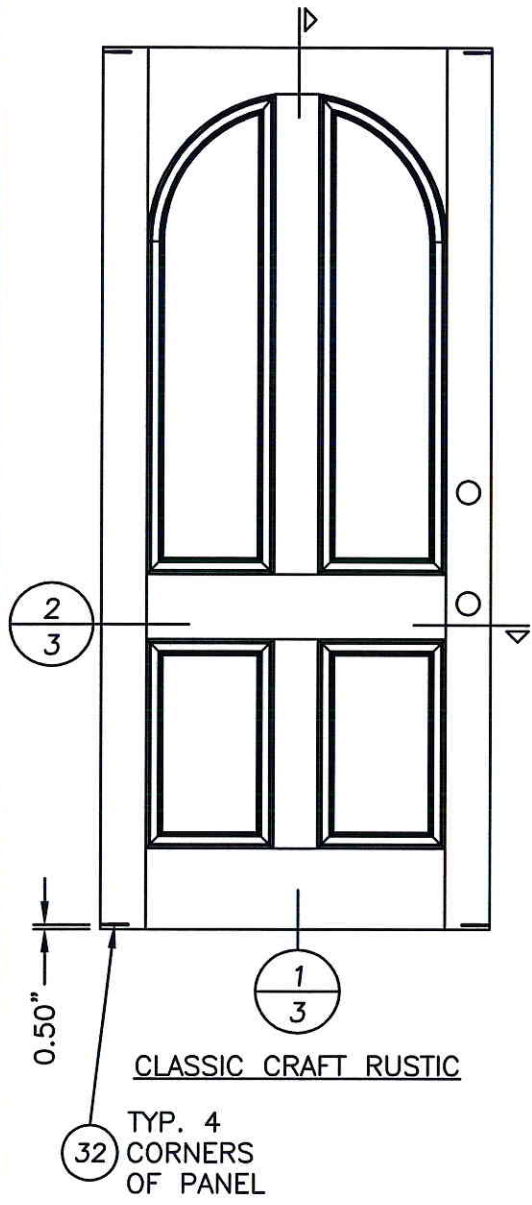
PRODUCT: SINGLE OPAQUE
FIBERGLASS DOOR
"IMPACT" INSWING / OUTSWING
PART OR ASSEMBLY:
DOOR PANEL DETAILS
(CLASSIC CRAFT)

NO.	DATE	BY	REVISIONS

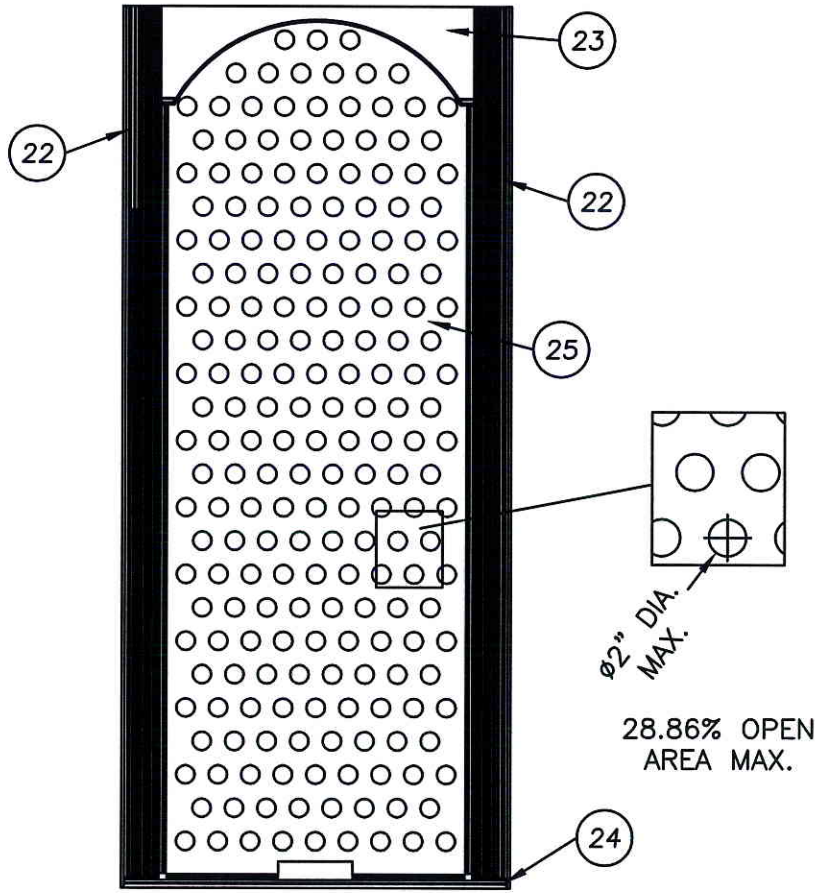
DATE: 7/16/12
SCALE: N.T.S.
DWG. BY: JK
CHK. BY: LFS
DRAWING NO.: TX-4179
SHEET 2 OF 7



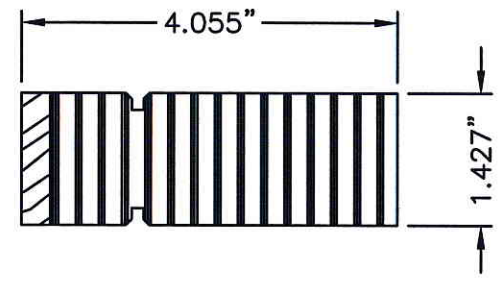
2 HORIZONTAL CROSS SECTION
3 CLASSIC CRAFT RUSTIC



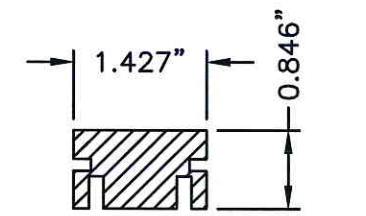
1 VERTICAL CROSS SECTION
3 CLASSIC CRAFT RUSTIC



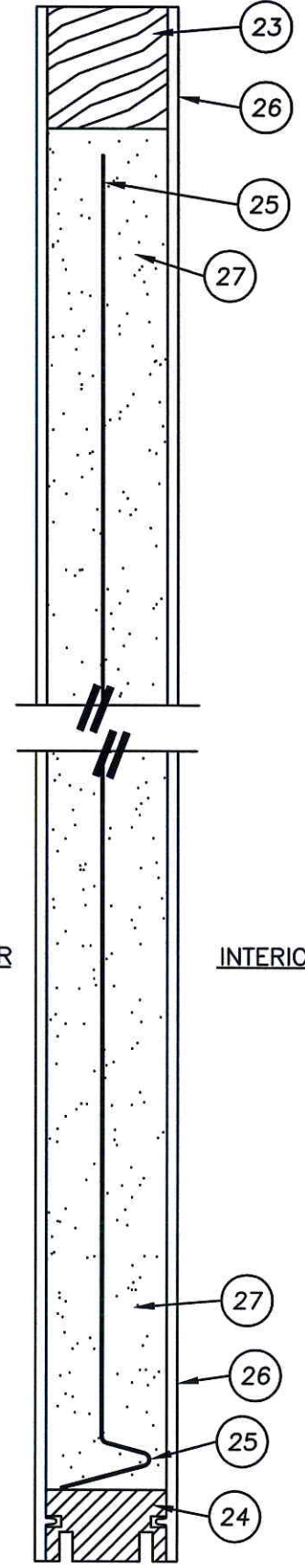
Ø2" DIA. MAX.
28.86% OPEN AREA MAX.



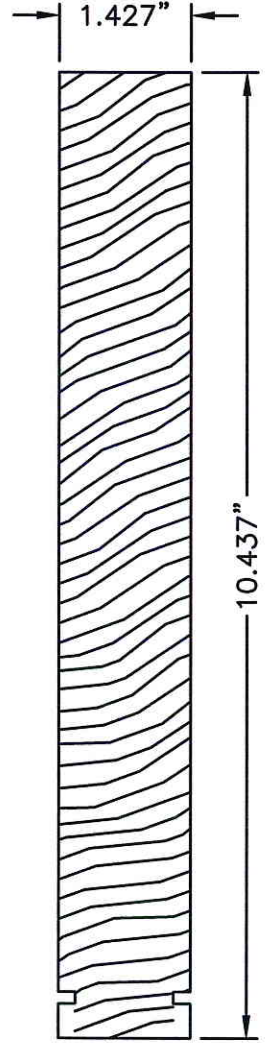
22 LOCK & HINGE STILE
CLASSIC CRAFT RUSTIC



24 BOTTOM RAIL
CLASSIC CRAFT RUSTIC



23 TOP RAIL
CLASSIC CRAFT RUSTIC

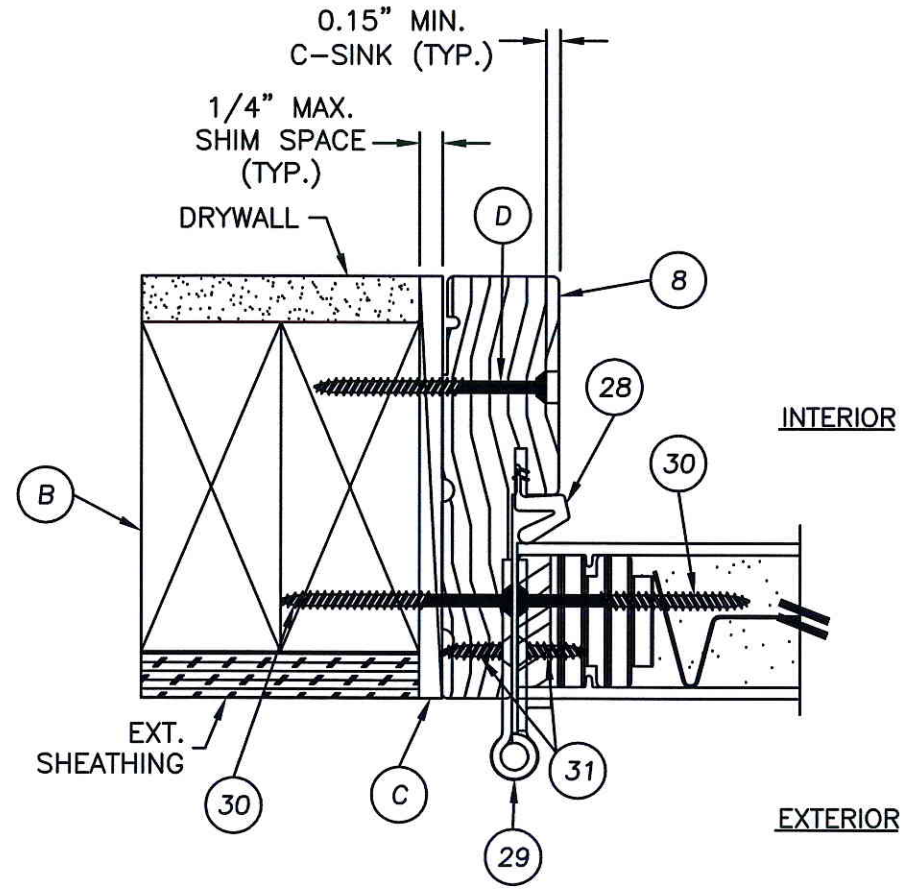
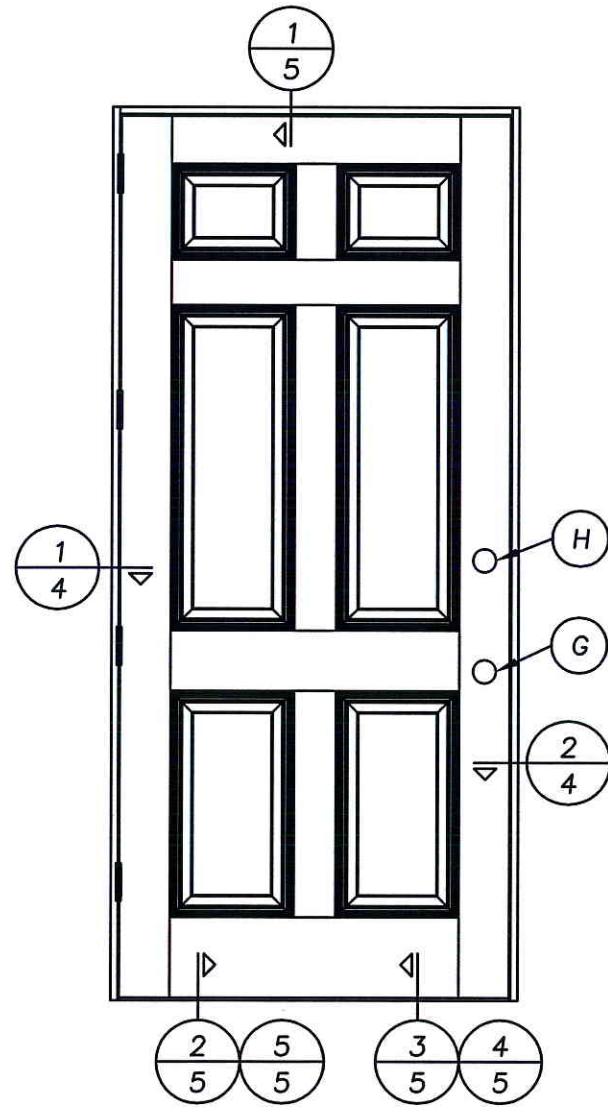


Documents Prepared By: Lyndon F. Schmidt, P.E.
TEXAS P.E. #104123
RW BUILDING CONSULTANTS, INC.
P.O. Box 230 Valrico FL 33595
Phone No.: 813.659.9197
TEXAS BOARD OF PROFESSIONAL ENGINEERS
CERTIFICATE OF REGISTRATION # F-11852

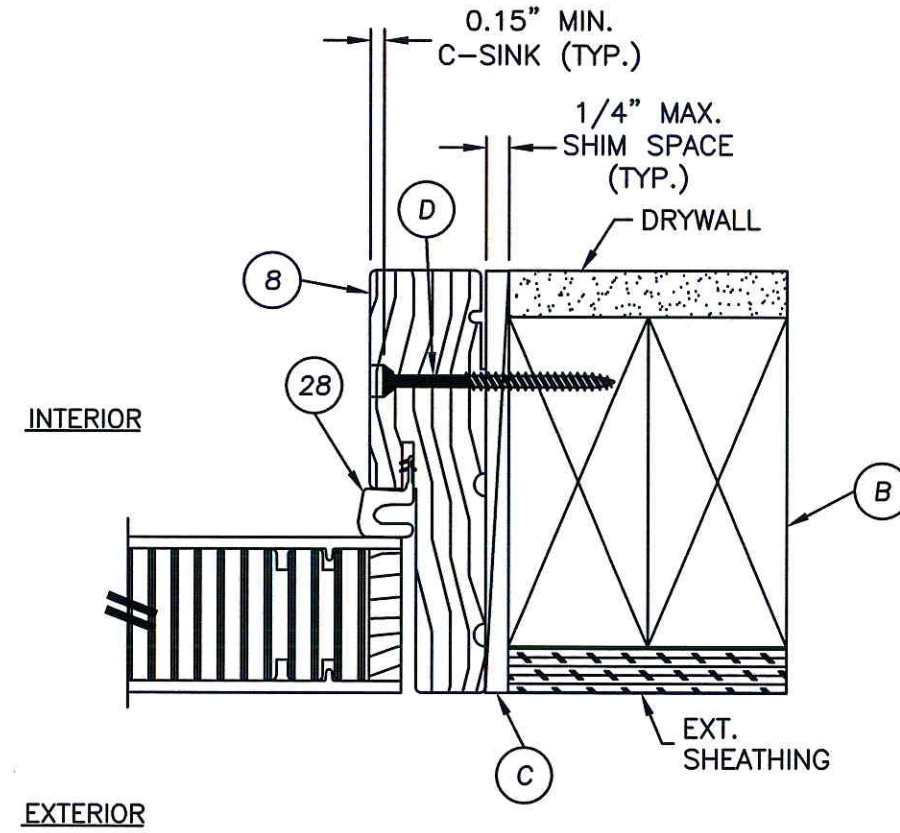
PRODUCT: SINGLE OPAQUE
FIBERGLASS DOOR
"IMPACT" INSWING / OUTSWING
PART OR ASSEMBLY:
DOOR PANEL DETAILS
(CLASSIC CRAFT RUSTIC)

NO.	DATE	BY	REVISIONS

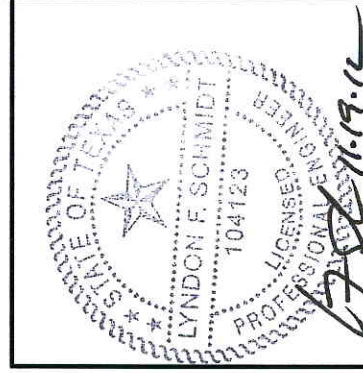
DATE: 7/16/12
SCALE: N.T.S.
DWG. BY: JK
CHK. BY: LFS
DRAWING NO.: TX-4179
SHEET 3 OF 7



1 HORIZONTAL CROSS SECTION
 4 OUTSWING SHOWN (INSWING ALSO APPROVED)
 CLASSIC CRAFT PANEL SHOWN
 SEE DOOR PANEL DETAILS FOR
 OPTIONAL PANEL TYPES



2 HORIZONTAL CROSS SECTION
 4 OUTSWING SHOWN (INSWING ALSO APPROVED)
 CLASSIC CRAFT PANEL SHOWN
 SEE DOOR PANEL DETAILS FOR
 OPTIONAL PANEL TYPES



Documents Prepared By: Lyndon F. Schmidt, P.E.
 TEXAS P.E. #104123

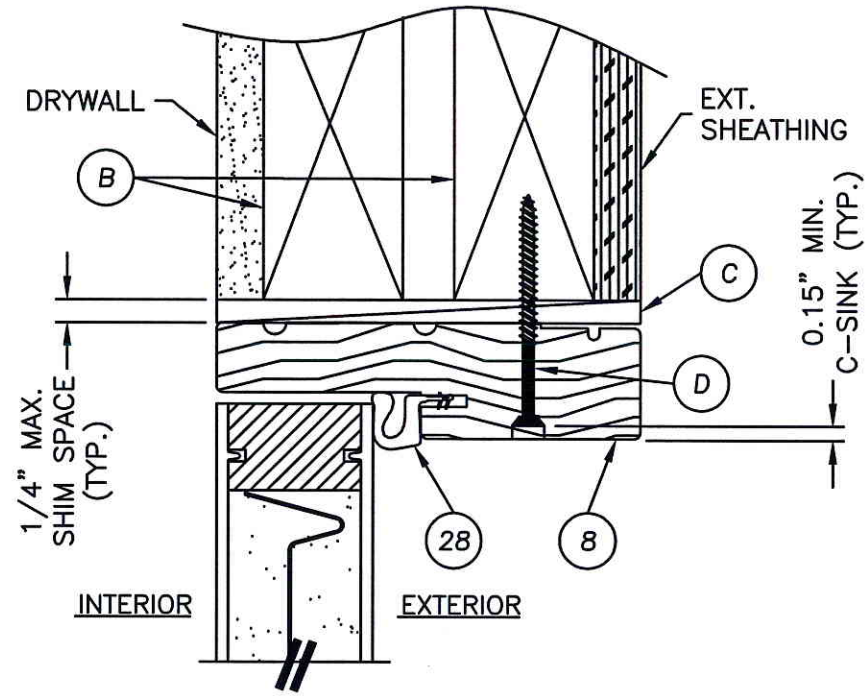
RW BUILDING CONSULTANTS, INC.
 P.O. Box 230 Valrico FL 33595
 Phone No.: 813.659.9197

TEXAS BOARD OF PROFESSIONAL ENGINEERS
 CERTIFICATE OF REGISTRATION # F-11852

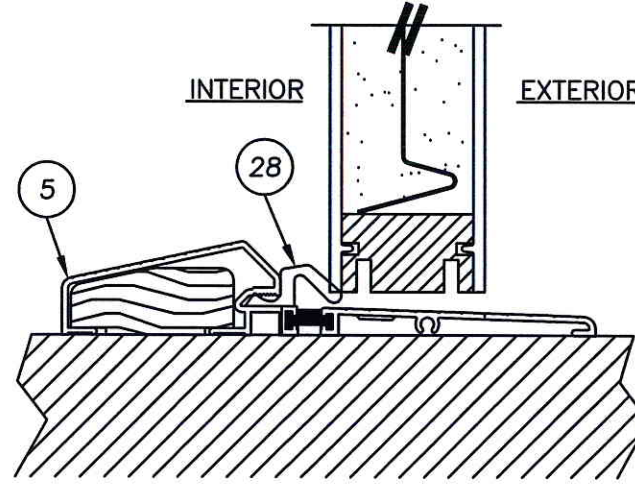
PRODUCT: SINGLE OPAQUE
 FIBERGLASS DOOR
 "IMPACT" INSWING / OUTSWING
 PART OR ASSEMBLY:
 HORIZONTAL CROSS SECTIONS

NO.	DATE	BY

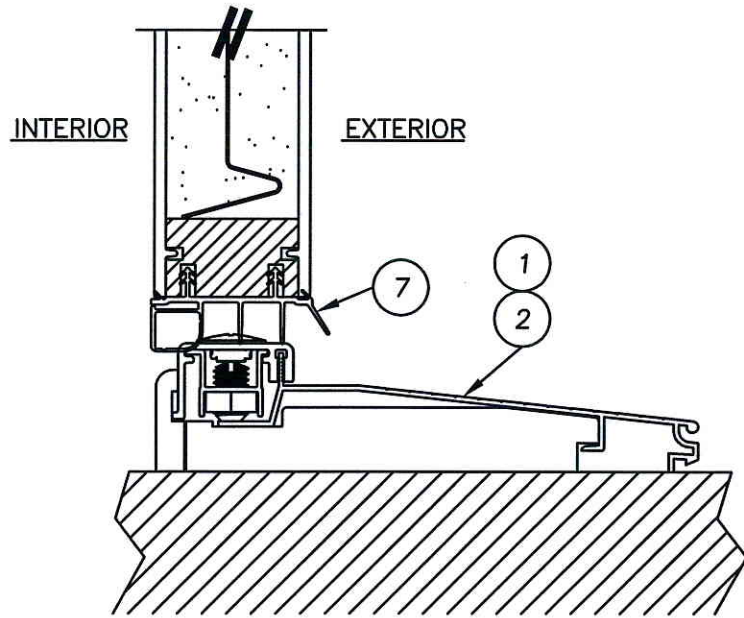
DATE: 7/16/12
 SCALE: N.T.S.
 DWG. BY: JK
 CHK. BY: LFS
 DRAWING NO.: TX-4179
 SHEET 4 OF 7



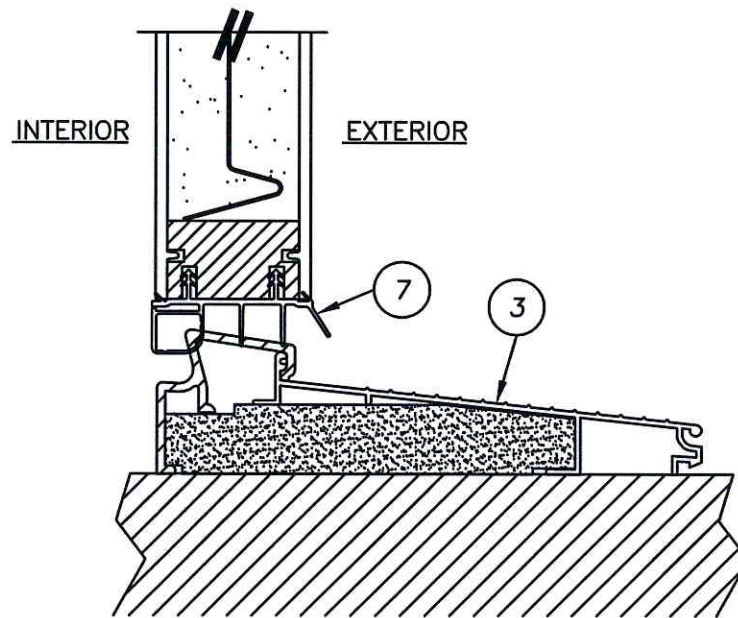
1 VERTICAL CROSS SECTION
 5 INSWING SHOWN (OUTSWING ALSO APPROVED)
 CLASSIC CRAFT PANEL SHOWN
 SEE DOOR PANEL DETAILS FOR
 OPTIONAL PANEL TYPES



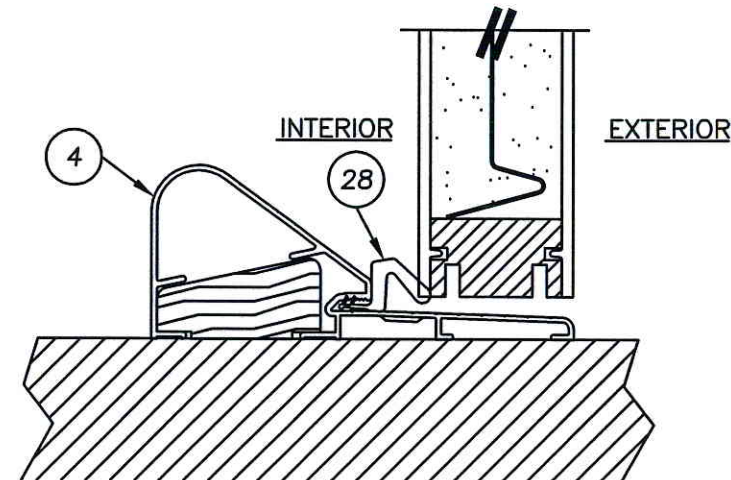
2 VERTICAL CROSS SECTION
 5 @ THRESHOLD
 CLASSIC CRAFT PANEL SHOWN
 SEE DOOR PANEL DETAILS FOR
 OPTIONAL PANEL TYPES



3 VERTICAL CROSS SECTION
 5 @ THRESHOLD
 CLASSIC CRAFT PANEL SHOWN
 SEE DOOR PANEL DETAILS FOR
 OPTIONAL PANEL TYPES



4 VERTICAL CROSS SECTION
 5 @ THRESHOLD
 CLASSIC CRAFT PANEL SHOWN
 SEE DOOR PANEL DETAILS FOR
 OPTIONAL PANEL TYPES



5 VERTICAL CROSS SECTION
 5 @ THRESHOLD
 CLASSIC CRAFT PANEL SHOWN
 SEE DOOR PANEL DETAILS FOR
 OPTIONAL PANEL TYPES



Documents Prepared By: Lyndon F. Schmidt, P.E.
 TEXAS P.E. #104123

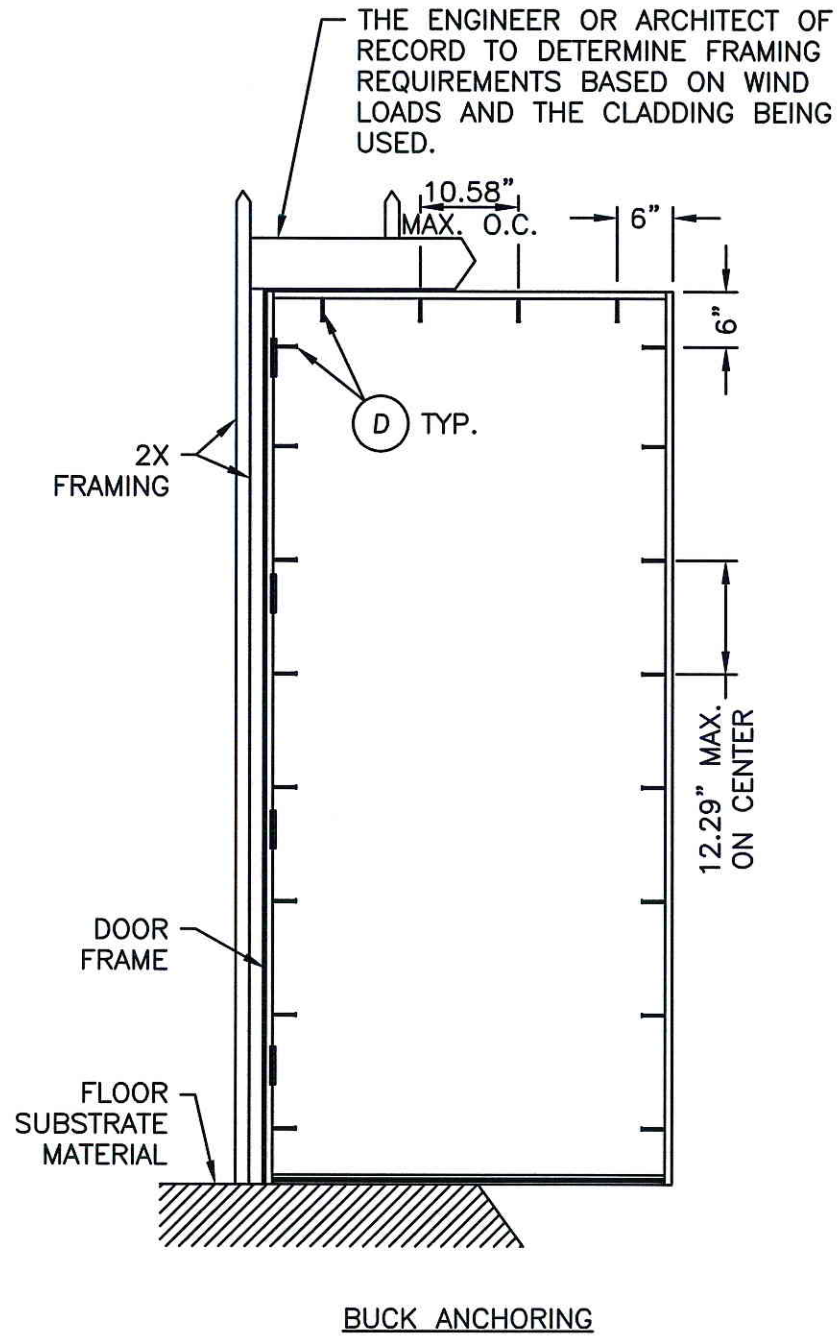
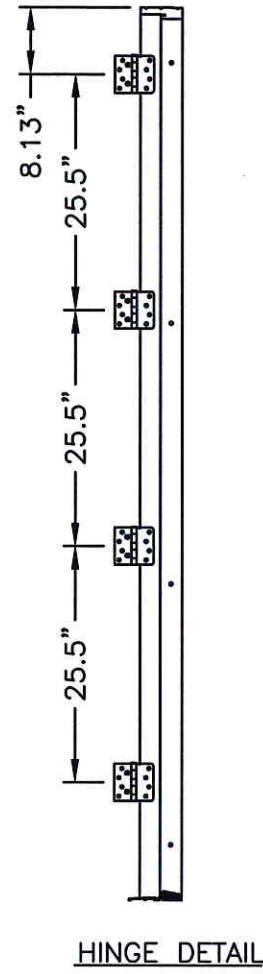
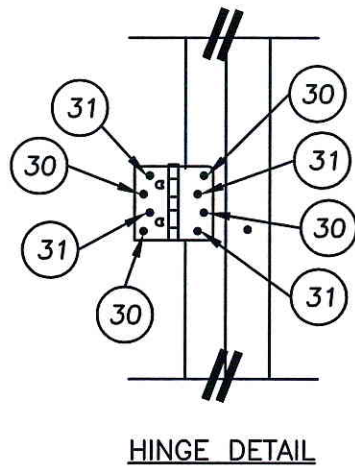
RW BUILDING CONSULTANTS, INC.
 P.O. Box 230 Valrico FL 33595
 Phone No.: 813.659.9197

TEXAS BOARD OF PROFESSIONAL ENGINEERS
 CERTIFICATE OF REGISTRATION # F-11852

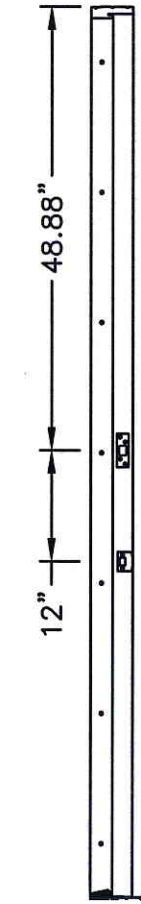
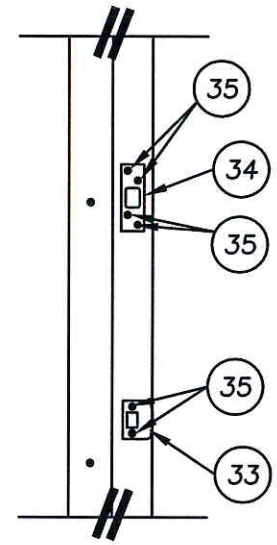
PRODUCT: SINGLE OPAQUE
 FIBERGLASS DOOR
 "IMPACT" INSWING / OUTSWING
 PART OR ASSEMBLY:
 VERTICAL CROSS SECTIONS

NO.	DATE	BY	REVISIONS

DATE: 7/16/12
 SCALE: N.T.S.
 DWG. BY: JK
 CHK. BY: LFS
 DRAWING NO.: TX-4179
 SHEET 5 OF 7



STRIKE PLATE DETAIL



STRIKE PLATE DETAIL



Documents Prepared By: Lyndon F. Schmidt, P.E.
TEXAS P.E. #104123

RW BUILDING CONSULTANTS, INC.
P.O. Box 230 Valrico FL 33595
Phone No.: 813.659.9197

TEXAS BOARD OF PROFESSIONAL ENGINEERS
CERTIFICATE OF REGISTRATION # F-11852

PRODUCT: SINGLE OPAQUE FIBERGLASS DOOR
"IMPACT INSWING / OUTSWING"
PART OR ASSEMBLY: FRAME ANCHORING

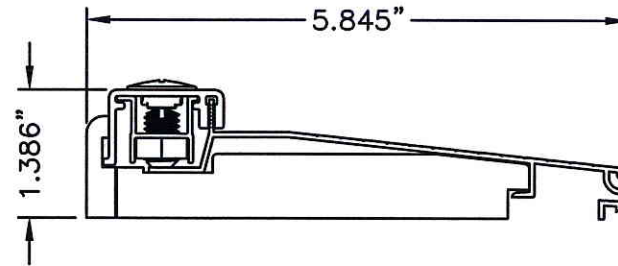
NO.	DATE	BY	REVISIONS

DATE: 7/16/12
SCALE: N.T.S.
DWG. BY: JK
CHK. BY: LFS
DRAWING NO.: TX-4179
SHEET 6 OF 7

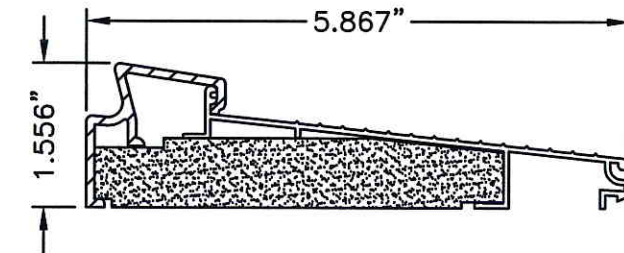
R:\A - Projects\Project Folders\Proj 1101 - 1200\pf1104\1D. RWBC Drawings\TX-4175-83.dwg, FX7

BILL OF MATERIALS

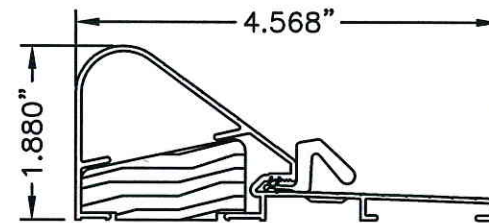
ITEM	DESCRIPTION	MATERIAL
B	2X FRAMING (G >= 0.42)	WOOD
C	1/4" MAX. SHIM SPACE	WOOD
D	#10 X 2-1/2" PFH WOOD SCREW	STEEL
G	KWIKSET 200 SERIES PASSAGE LOCK	STEEL
H	KWIKSET 600 SERIES DEADBOLT	STEEL
1	INSWING ADJUSTABLE THRESHOLD (IS300AJ)	ALUM./WOOD
2	INSWING THRESHOLD (IS300HP5)	ALUM./COMP.
3	INSWING SELF ADJUST THERMAL BREAK THRESHOLD (ISP30M)	ALUM./COMP.
4	OUTSWING COASTAL THRESHOLD	ALUM./WOOD
5	OUTSWING STANDARD THRESHOLD	ALUM./WOOD
7	DOOR BOTTOM SWEEP	VINYL
8	JAMB (OAK)	WOOD
16	HINGE STILE (CLASSIC CRAFT)	WOOD/LVL
17	LOCK STILE (CLASSIC CRAFT)	WOOD/LVL
18	TOP RAIL (CLASSIC CRAFT)	PVC
19	BOTTOM RAIL (CLASSIC CRAFT)	PVC
20	PANEL REINFORCEMENT 0.023" THK. (CLASSIC CRAFT)	STEEL
21	DOOR SKIN 0.125" THK. (CLASSIC CRAFT) Fy = 6,000 PSI MIN.	FIBERGLASS
22	LOCK & HINGE STILE (CLASSIC CRAFT RUSTIC)	WOOD/LVL
23	TOP RAIL (CLASSIC CRAFT RUSTIC)	WOOD
24	BOTTOM RAIL (CLASSIC CRAFT RUSTIC)	PVC
25	PANEL REINFORCEMENT 0.023" THK. (CLASSIC CRAFT RUSTIC)	STEEL
26	DOOR SKIN 0.125" THK. (CC RUSTIC) Fy = 6,000 PSI MIN.	FIBERGLASS
27	FOAM CORE	POLYURETHANE
28	WEATHERSTRIP	FOAM
29	HINGE	STEEL
30	#10 X 2-1/2" PFH SCREW	STEEL
31	#10 X 3/4" PFH SCREW	STEEL
32	#9 X 3" PFH WOOD SCREW	STEEL
33	LATCH STRIKE PLATE	STEEL
34	SECURITY STRIKE PLATE (SINGLE DOOR ONLY)	STEEL
35	#8 X 3" PFH SCREW	STEEL
52	DOOR BOTTOM SWEEP	VINYL



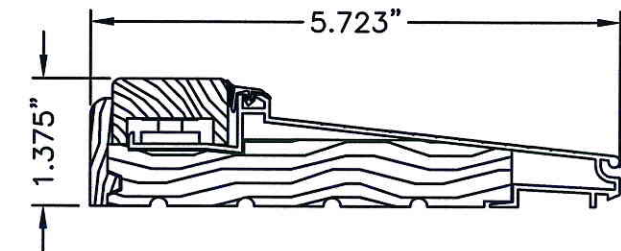
② THRESHOLD
INSWING ADJUSTABLE



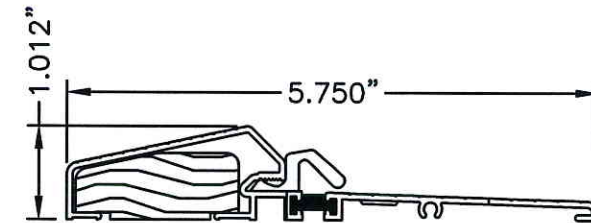
③ THRESHOLD
INSWING SELF-ADJUST



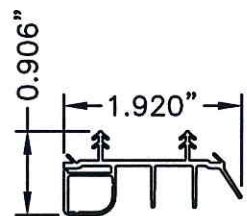
④ THRESHOLD
OUTSWING COASTAL



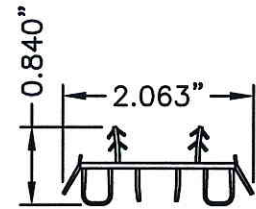
① THRESHOLD
INSWING ADJUSTABLE



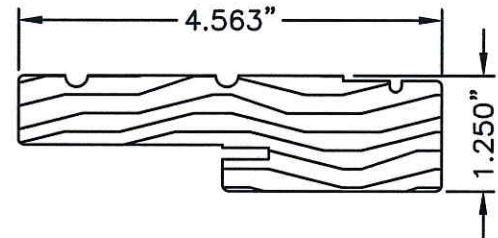
⑤ THRESHOLD
OUTSWING STANDARD



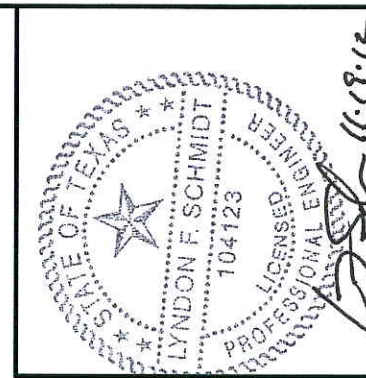
⑦ SWEEP



⑤② SWEEP



⑧ JAMB



Documents Prepared By: Lyndon F. Schmidt, P.E.
TEXAS P.E. #104123

RW BUILDING CONSULTANTS, INC.
P.O. Box 230 Valrico FL 33595
Phone No.: 813.659.9197

TEXAS BOARD OF PROFESSIONAL ENGINEERS
CERTIFICATE OF REGISTRATION # F-11852

PRODUCT: SINGLE OPAQUE
FIBERGLASS DOOR
"IMPACT" INSWING / OUTSWING
PART OR ASSEMBLY:

BILL OF MATERIALS
& COMPONENTS

NO.	DATE	BY	REVISIONS

DATE: 7/16/12
SCALE: N.T.S.
DWG. BY: JK
CHK. BY: LFS
DRAWING NO.: TX-4179
SHEET 7 OF 7