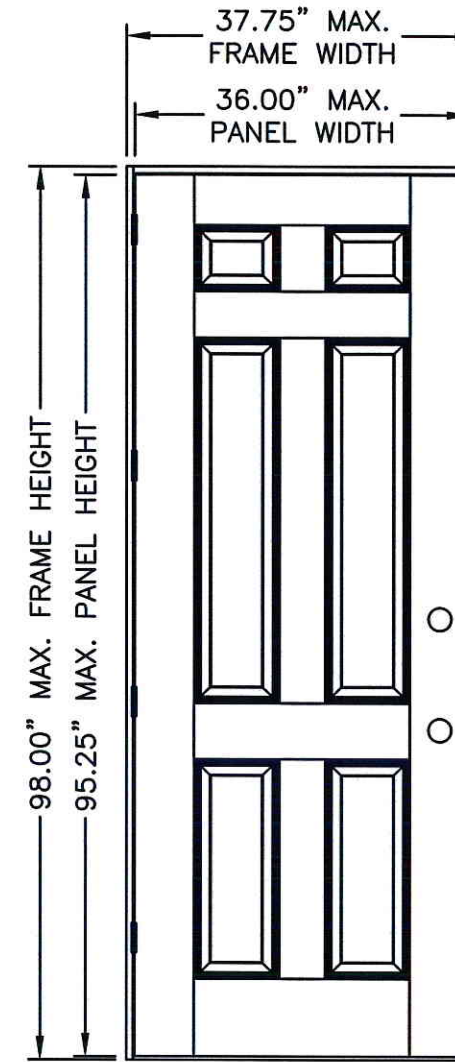


THERMA TRU®

118 INDUSTRIAL DR., EDGERTON, OH 43517
TEL. (419)298-1740

SMOOTH STAR & FIBER CLASSIC SINGLE "IMPACT" DOOR INSWING / OUTSWING



"SMOOTH STAR" & "FIBER CLASSIC"

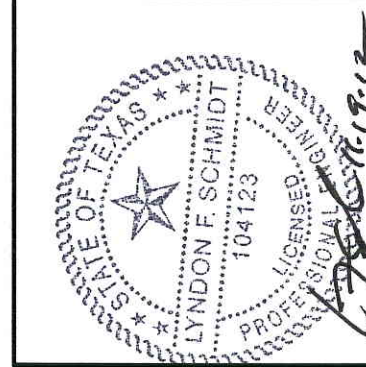
EVALUATED FOR USE IN THE STATE OF TEXAS

The Fiberglass Glazed Door described herein complies with the 2006 International Residential Code (IRC), Sections R301 & R613 and the 2006 International Building Code (IBC), Sections 1405.12, 1609, 1714.5, 2403 and 2404 (including Texas revisions) subject to the following conditions:

1. Anchors shall be as listed and spaced as shown in the details. Anchor embedment to base material shall be beyond wall dressing or stucco.
2. This system has been tested and evaluated as a large missile impact protective system for installation in the Seaward, Inland I and Inland II areas. This product meets missile level "D" as defined in ASTM E 1996.
3. Allowable design pressure requirements must be equal to or less than the design pressure rating shown in the design pressure chart, sheet 1 of this drawing.
4. Conditions not covered by this drawing are subject to further engineering analysis.

TABLE OF CONTENTS	
SHEET #	DESCRIPTION
1	TYPICAL ELEVATION, DESIGN PRESSURES & GENERAL NOTES
2	DOOR PANEL DETAILS (SMOOTH STAR)
3	DOOR PANEL DETAILS (FIBER CLASSIC)
4	HORIZONTAL CROSS SECTIONS
5	VERTICAL CROSS SECTIONS
6	FRAME ANCHORING
7	BILL OF MATERIALS & COMPONENTS

DOOR TYPE	SWING	OVERALL FRAME DIMENSION	DESIGN PRESSURE	
			POSITIVE	NEGATIVE
SMOOTH STAR	OUTSWING	37.75" X 96.50"	+65.0	-65.0
	INSWING	37.75" X 98.00"	+65.0	-65.0
FIBER CLASSIC	OUTSWING	37.75" X 96.50"	+65.0	-65.0
	INSWING	37.75" X 98.00"	+65.0	-65.0



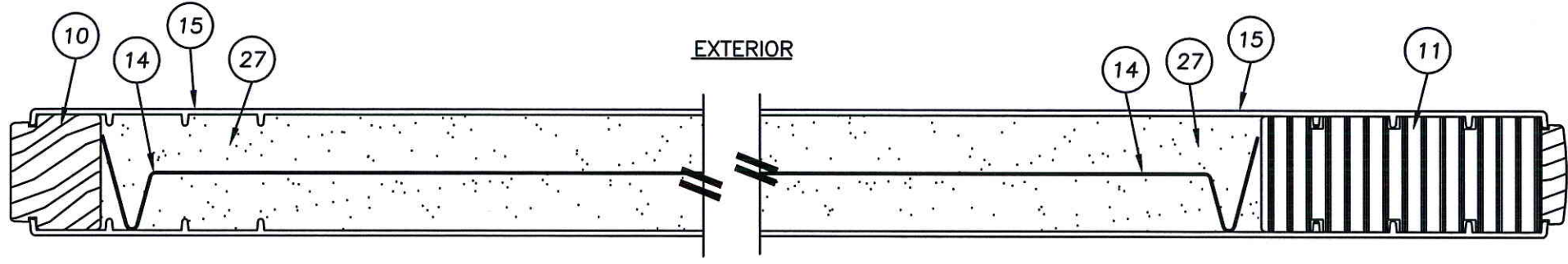
Documents Prepared By: Lyndon F. Schmidt, P.E.
TEXAS P.E. #104123

R.W. BUILDING CONSULTANTS, INC.
P.O. Box 230 Valrico FL 33595
Phone No.: 813.659.9197

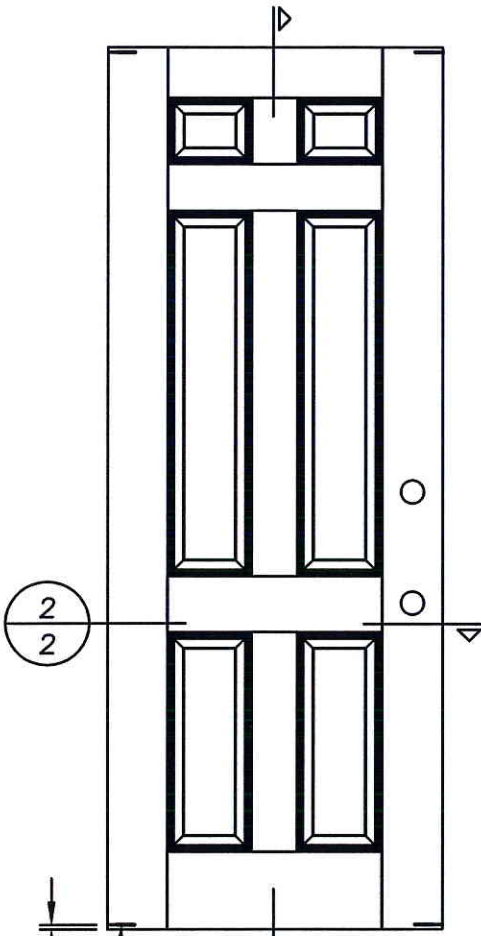
TEXAS BOARD OF PROFESSIONAL ENGINEERS
CERTIFICATE OF REGISTRATION # F-11852

PRODUCT:		PART OR ASSEMBLY:		REVISIONS	
SINGLE OPAQUE FIBERGLASS DOOR		"IMPACT" INSWING / OUTSWING		TYPICAL ELEVATION, DESIGN PRESSURES & GENERAL NOTES	
NO.	DATE	BY			
DATE: 7/16/12					
SCALE: N.T.S.					
DWG. BY: JK					
CHK. BY: LFS					
DRAWING NO.: TX-4178					
SHEET 1 OF 7					

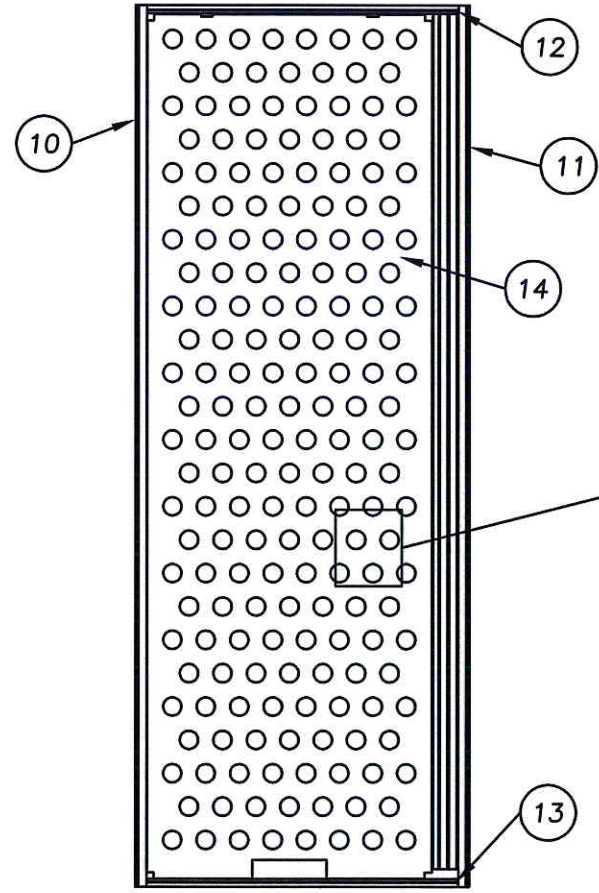
R:\A - Projects\Project Folders\Proj 1101 - 1200\pf1104\1D. RWBC Drawings\TX-4175-83.dwg, X2



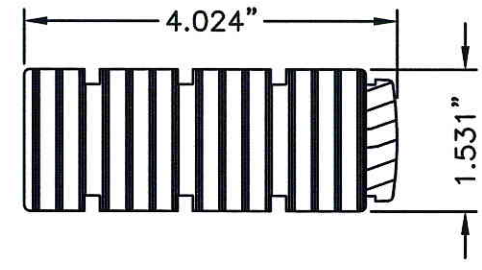
2 HORIZONTAL CROSS SECTION
2 SMOOTH STAR



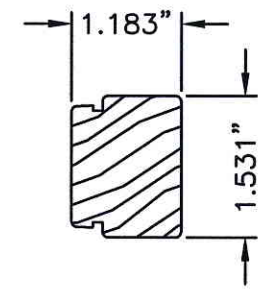
1
2
32 TYP. 4 CORNERS OF PANEL
SMOOTH STAR



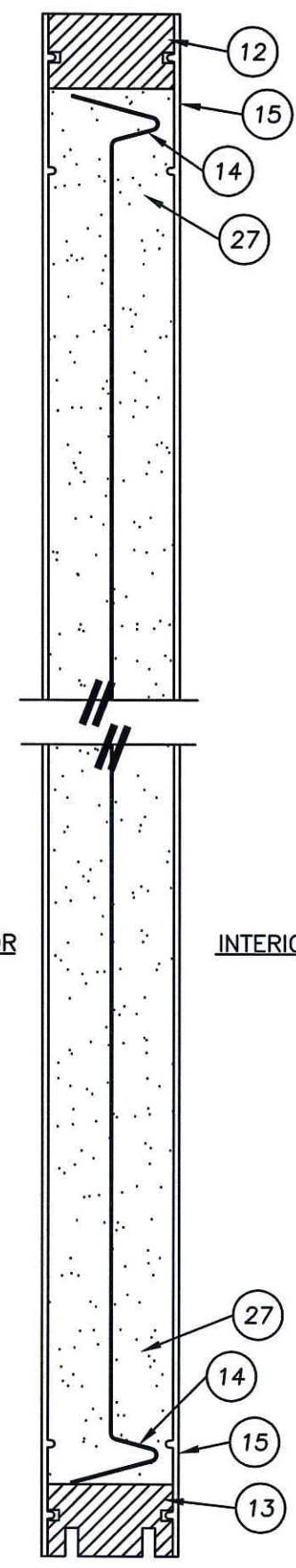
Ø2" DIA. MAX.
28.86% OPEN AREA MAX.



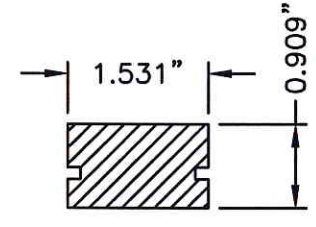
11 LOCK STILE SMOOTH STAR



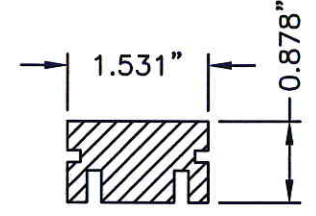
10 HINGE STILE SMOOTH STAR



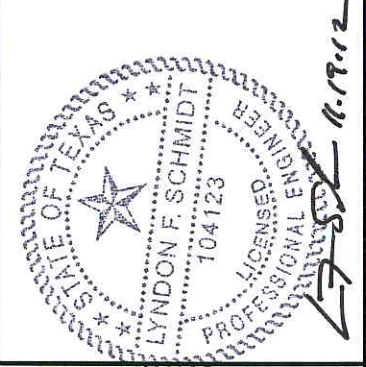
1 VERTICAL CROSS SECTION
2 SMOOTH STAR



12 TOP RAIL SMOOTH STAR



13 BOTTOM RAIL SMOOTH STAR



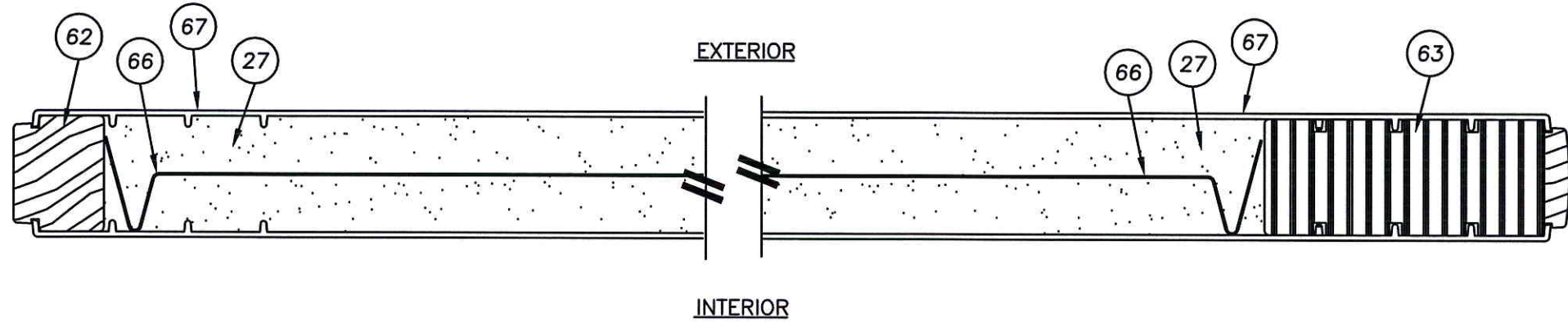
Documents Prepared By: Lyndon F. Schmidt, P.E.
TEXAS P.E. #104123
R.W. BUILDING CONSULTANTS, INC.
P.O. Box 230 Valrico FL 33595
Phone No.: 813.659.9197
TEXAS BOARD OF PROFESSIONAL ENGINEERS
CERTIFICATE OF REGISTRATION # F-11852

PRODUCT: SINGLE OPAQUE FIBERGLASS DOOR "IMPACT INSURING / OUTSWING"
PART OR ASSEMBLY: DOOR PANEL DETAILS (SMOOTH STAR)

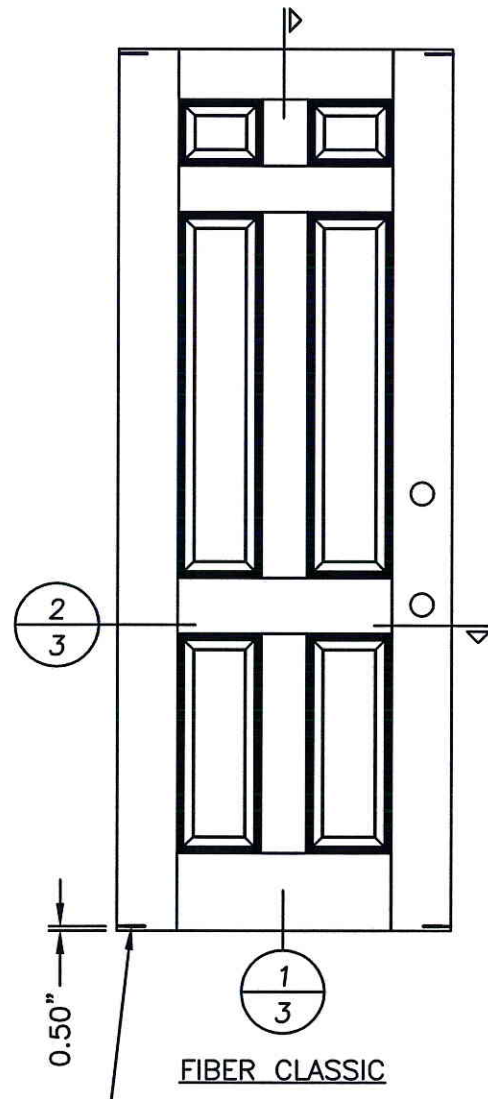
NO.	DATE	BY	REVISIONS

DATE: 7/16/12
SCALE: N.T.S.
DWG. BY: JK
CHK. BY: LFS
DRAWING NO.: TX-4178
SHEET 2 OF 7

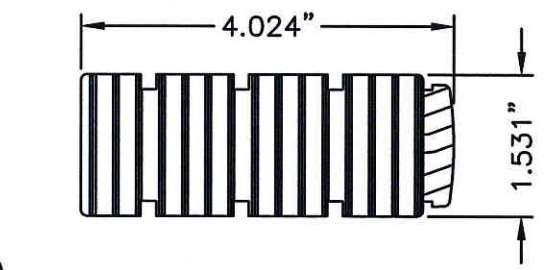
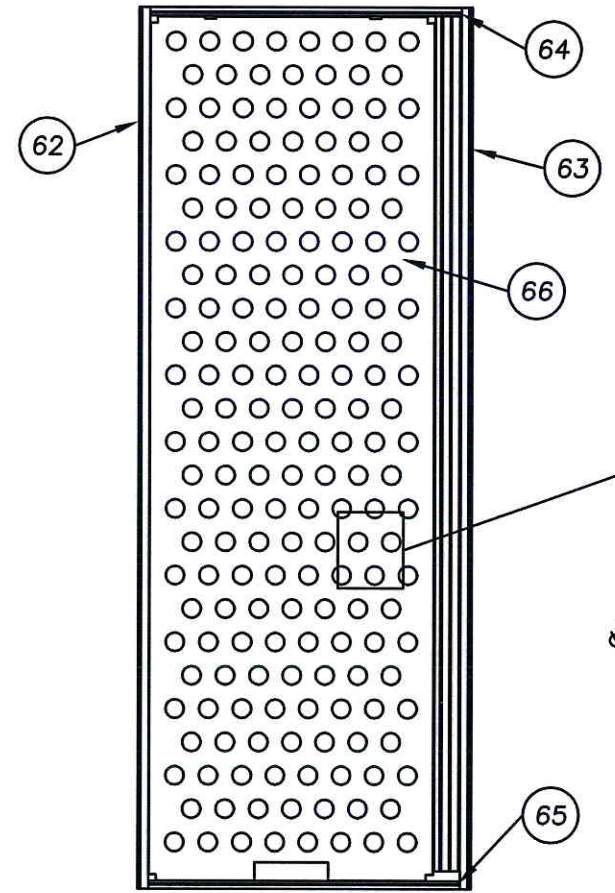
R:\A - Projects\Project Folders\Proj 1101 - 1200\pf1104\ID. RWBC Drawings\TX-4175-83.dwg, X3



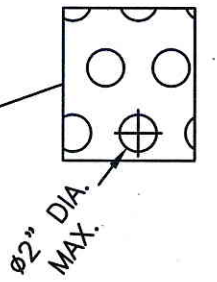
2 HORIZONTAL CROSS SECTION
3 FIBER CLASSIC



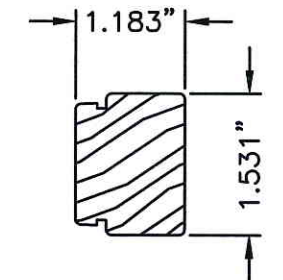
32 TYP. 4 CORNERS OF PANEL



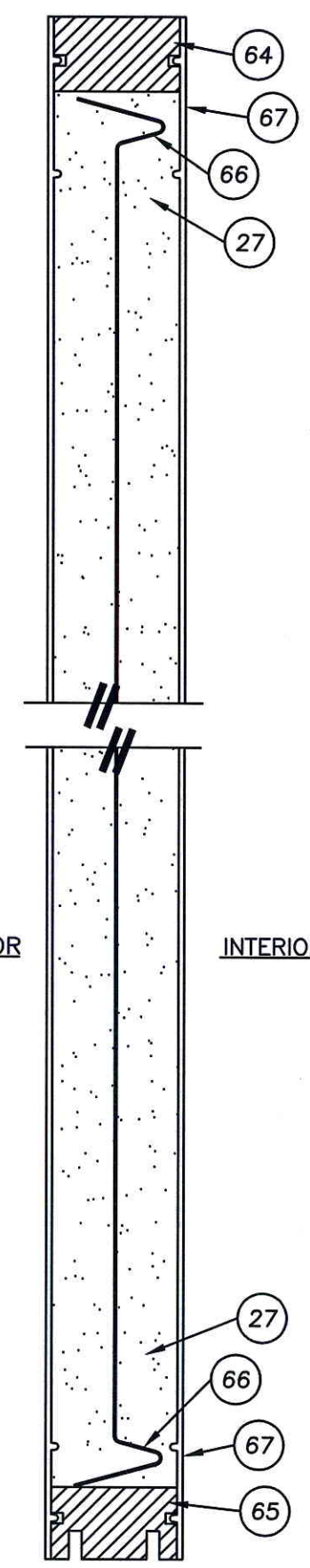
63 LOCK STILE FIBER CLASSIC



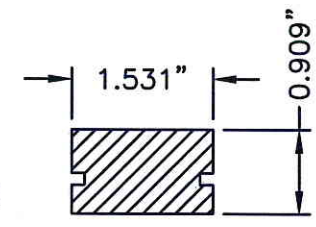
28.86% OPEN AREA MAX.



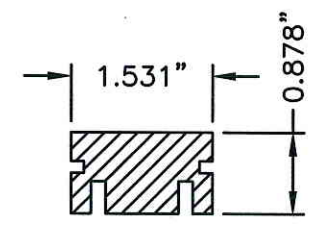
62 HINGE STILE FIBER CLASSIC



1 VERTICAL CROSS SECTION
3 FIBER CLASSIC



64 TOP RAIL FIBER CLASSIC



65 BOTTOM RAIL FIBER CLASSIC



Documents Prepared By: Lyndon F. Schmidt, P.E.
TEXAS P.E. #104123

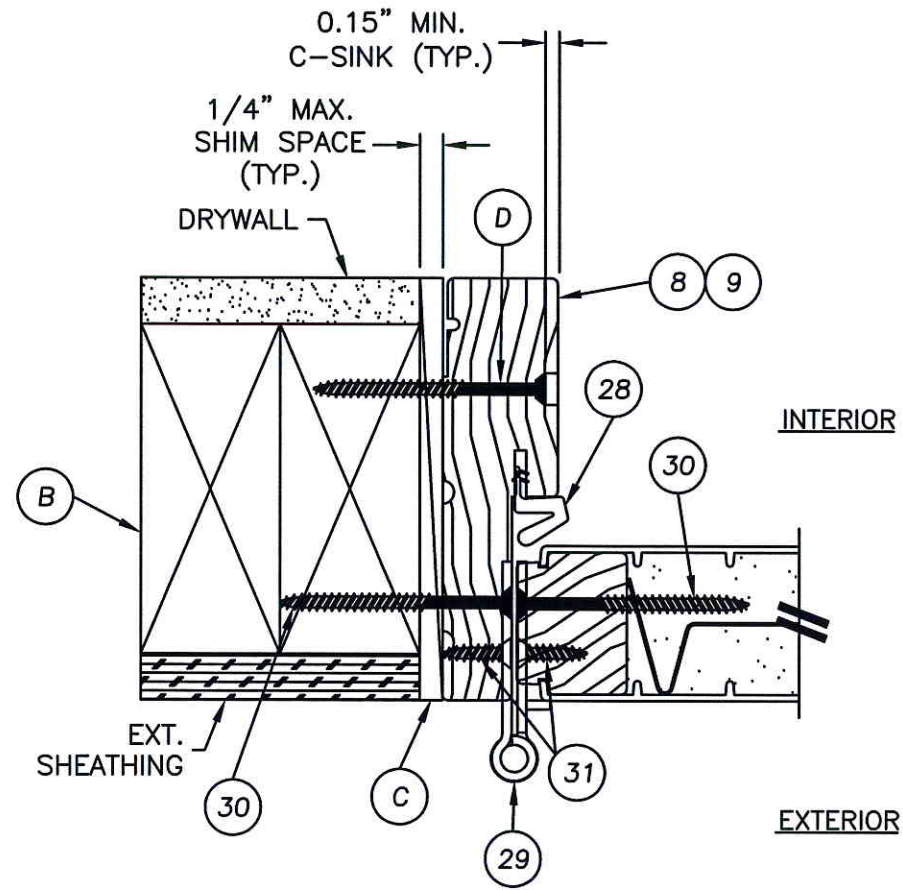
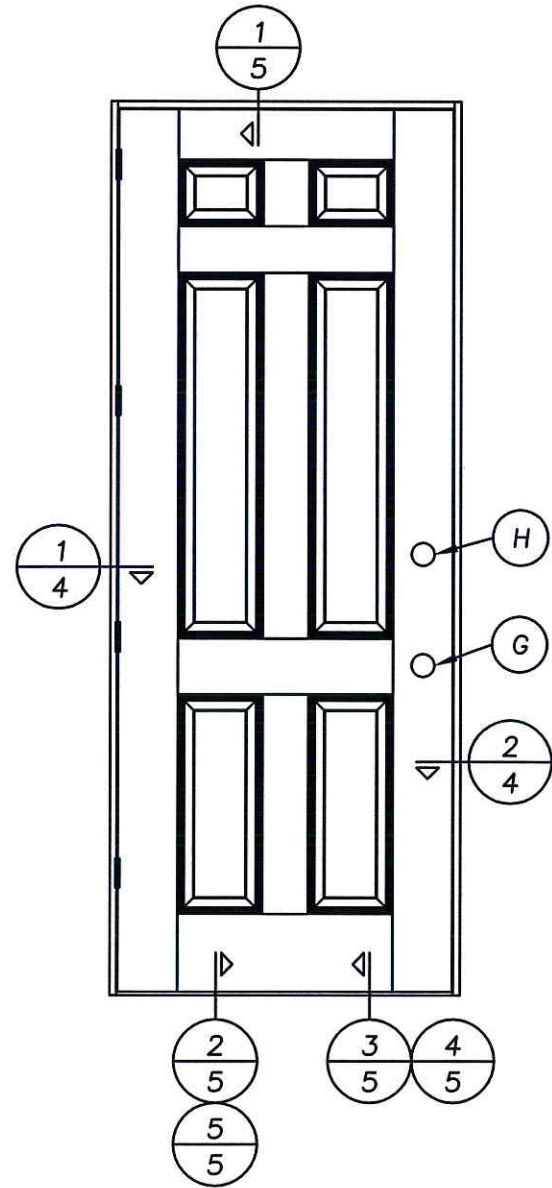
RW BUILDING CONSULTANTS, INC.
P.O. Box 230 Valrico FL 33595
Phone No.: 813.659.9197

TEXAS BOARD OF PROFESSIONAL ENGINEERS
CERTIFICATE OF REGISTRATION # F-11852

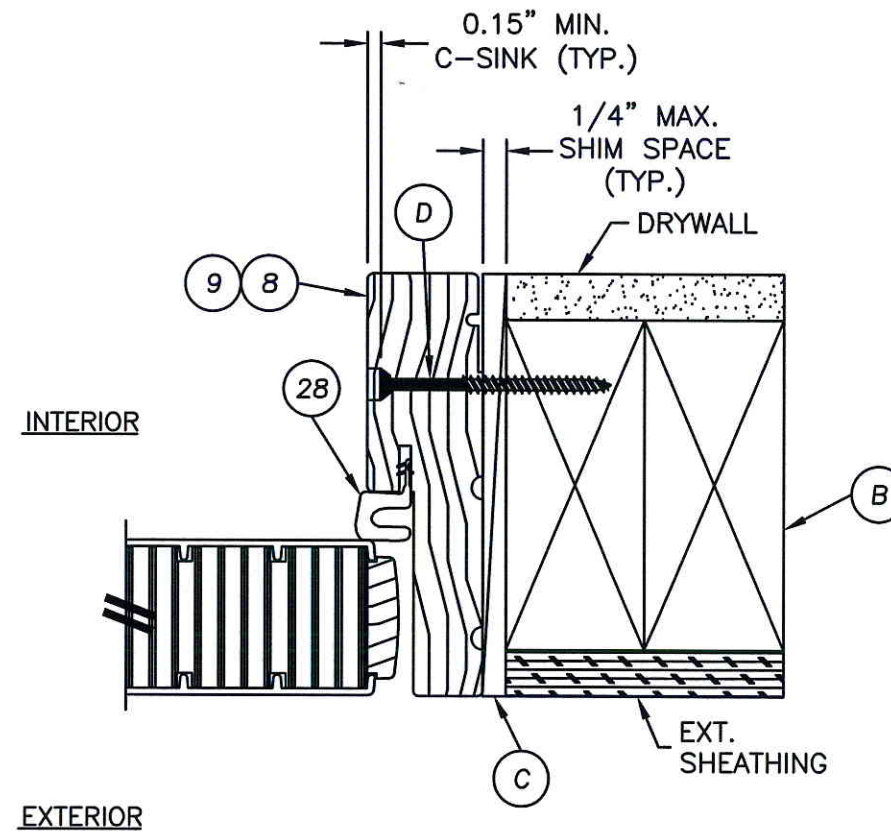
PRODUCT: SINGLE OPAQUE FIBERGLASS DOOR
"IMPACT" INSWING / OUTSWING
PART OR ASSEMBLY: DOOR PANEL DETAILS (FIBER CLASSIC)

NO.	DATE	BY	REVISIONS

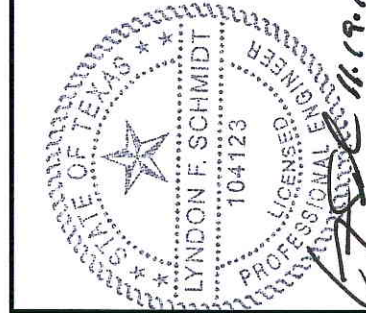
DATE: 7/16/12
SCALE: N.T.S.
DWG. BY: JK
CHK. BY: LFS
DRAWING NO.: TX-4178
SHEET 3 OF 7



1 HORIZONTAL CROSS SECTION
4 OUTSWING SHOWN (INSWING ALSO APPROVED)
SMOOTH STAR PANEL SHOWN
SEE DOOR PANEL DETAILS FOR
OPTIONAL PANEL TYPES



2 HORIZONTAL CROSS SECTION
4 OUTSWING SHOWN (INSWING ALSO APPROVED)
SMOOTH STAR PANEL SHOWN
SEE DOOR PANEL DETAILS FOR
OPTIONAL PANEL TYPES



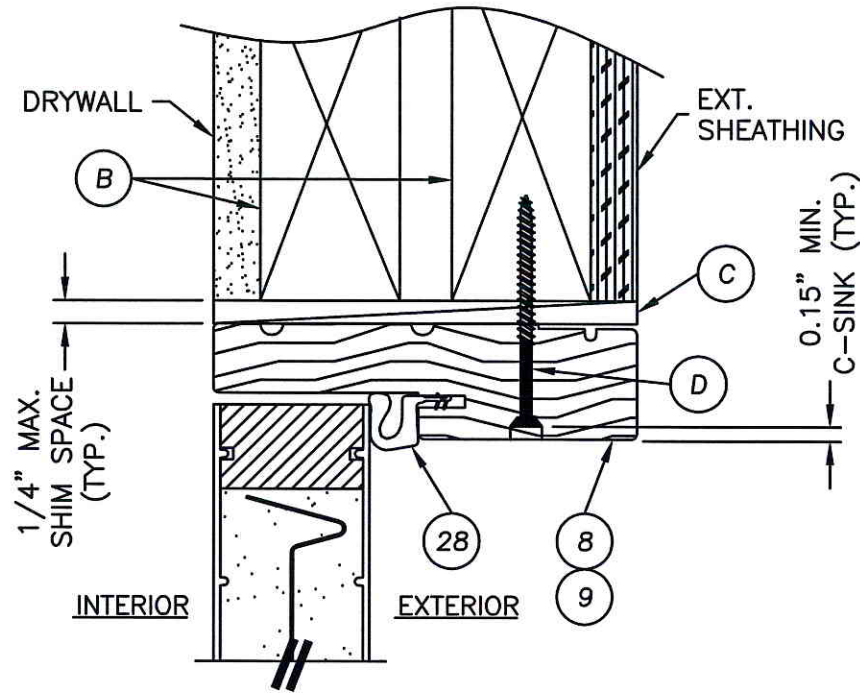
Documents Prepared By: Lyndon F. Schmidt, P.E.
TEXAS P.E. #104123
R.W. BUILDING CONSULTANTS, INC.
P.O. Box 230 Valrico FL 33595
Phone No.: 813.659.9197
TEXAS BOARD OF PROFESSIONAL ENGINEERS
CERTIFICATE OF REGISTRATION # F-11852

PRODUCT: SINGLE OPAQUE
FIBERGLASS DOOR
"IMPACT INSWING / OUTSWING
PART OR ASSEMBLY:
HORIZONTAL CROSS SECTIONS

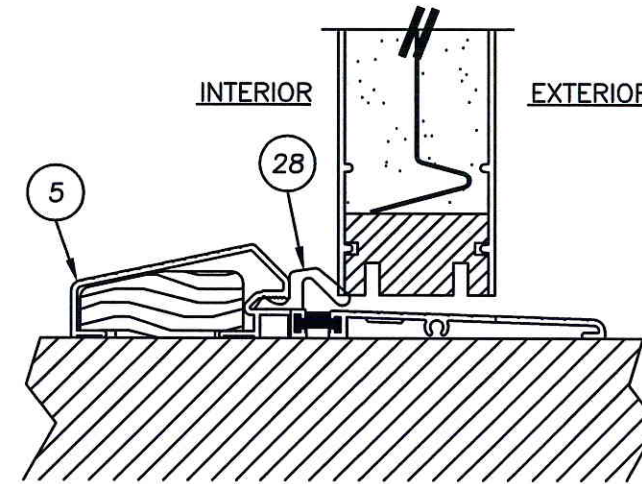
NO.	DATE	REVISIONS	BY

DATE: 7/16/12
SCALE: N.T.S.
DWG. BY: JK
CHK. BY: LFS
DRAWING NO.: TX-4178
SHEET 4 OF 7

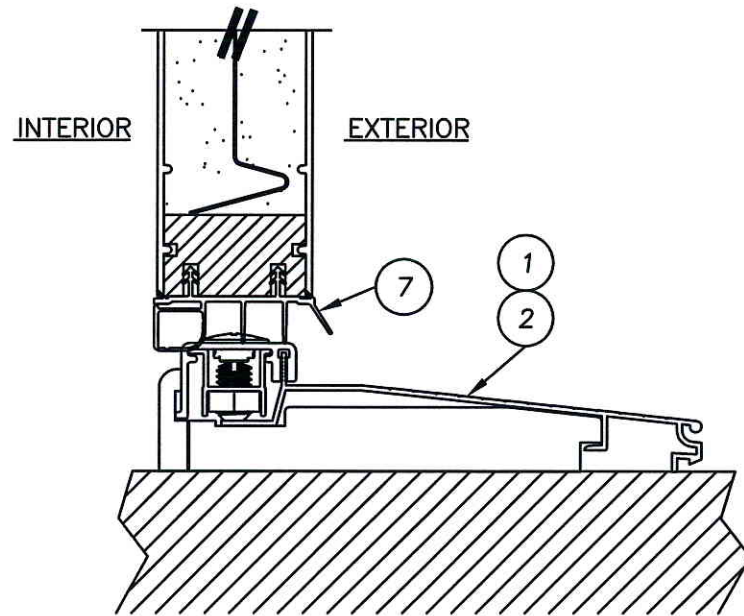
R:\A - Projects\Project Folders\Proj 1101 - 1200\pf1104\ID. RWBC Drawings\TX-4175-83.dwg, X5



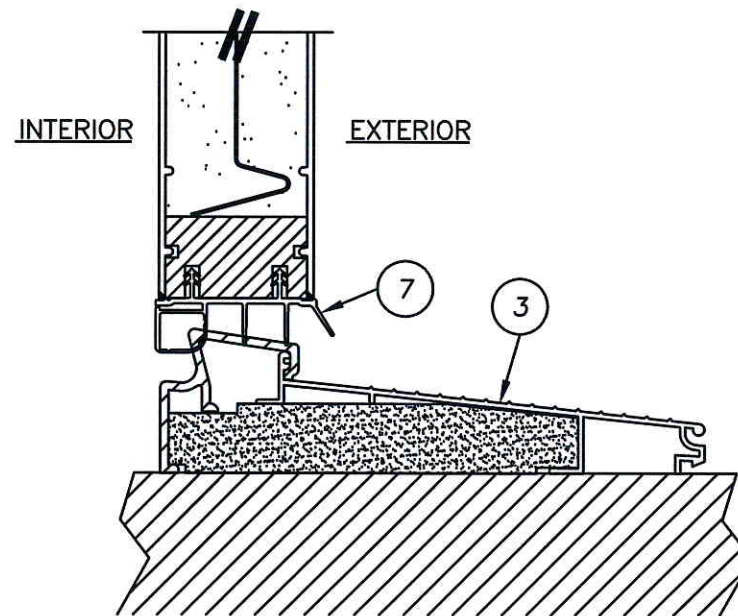
1 VERTICAL CROSS SECTION
 5 INSWING SHOWN (OUTSWING ALSO APPROVED)
 SMOOTH STAR PANEL SHOWN
 SEE DOOR PANEL DETAILS FOR
 OPTIONAL PANEL TYPES



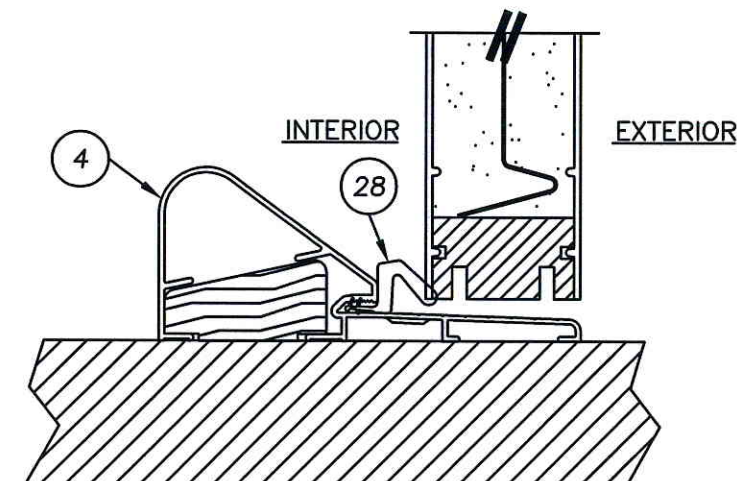
2 VERTICAL CROSS SECTION
 5 @ THRESHOLD
 SMOOTH STAR PANEL SHOWN
 SEE DOOR PANEL DETAILS FOR
 OPTIONAL PANEL TYPES



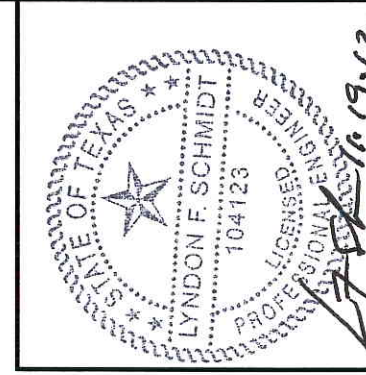
3 VERTICAL CROSS SECTION
 5 @ THRESHOLD
 SMOOTH STAR PANEL SHOWN
 SEE DOOR PANEL DETAILS FOR
 OPTIONAL PANEL TYPES



4 VERTICAL CROSS SECTION
 5 @ THRESHOLD
 SMOOTH STAR PANEL SHOWN
 SEE DOOR PANEL DETAILS FOR
 OPTIONAL PANEL TYPES



5 VERTICAL CROSS SECTION
 5 @ THRESHOLD
 SMOOTH STAR PANEL SHOWN
 SEE DOOR PANEL DETAILS FOR
 OPTIONAL PANEL TYPES



Documents Prepared By: Lyndon F. Schmidt, P.E.
 TEXAS P.E. #104123

RW BUILDING CONSULTANTS, INC.
 P.O. Box 230 Vairico FL 33595
 Phone No.: 813.659.9197

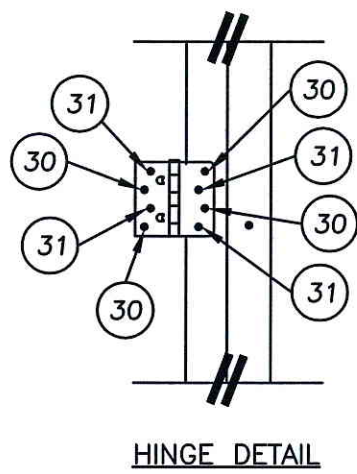
TEXAS BOARD OF PROFESSIONAL ENGINEERS
 CERTIFICATE OF REGISTRATION # F-11852

PRODUCT: SINGLE OPAQUE
 FIBERGLASS DOOR
 "IMPACT" INSWING / OUTSWING
 PART OR ASSEMBLY: VERTICAL CROSS SECTIONS

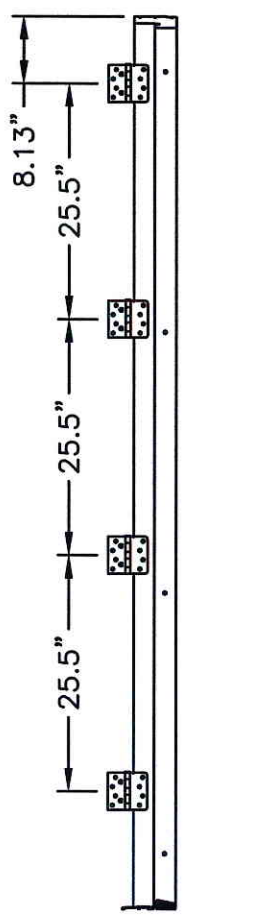
NO.	DATE	REVISIONS	BY

DATE: 7/16/12
 SCALE: N.T.S.
 DWG. BY: JK
 CHK. BY: LFS
 DRAWING NO.: TX-4178
 SHEET 5 OF 7

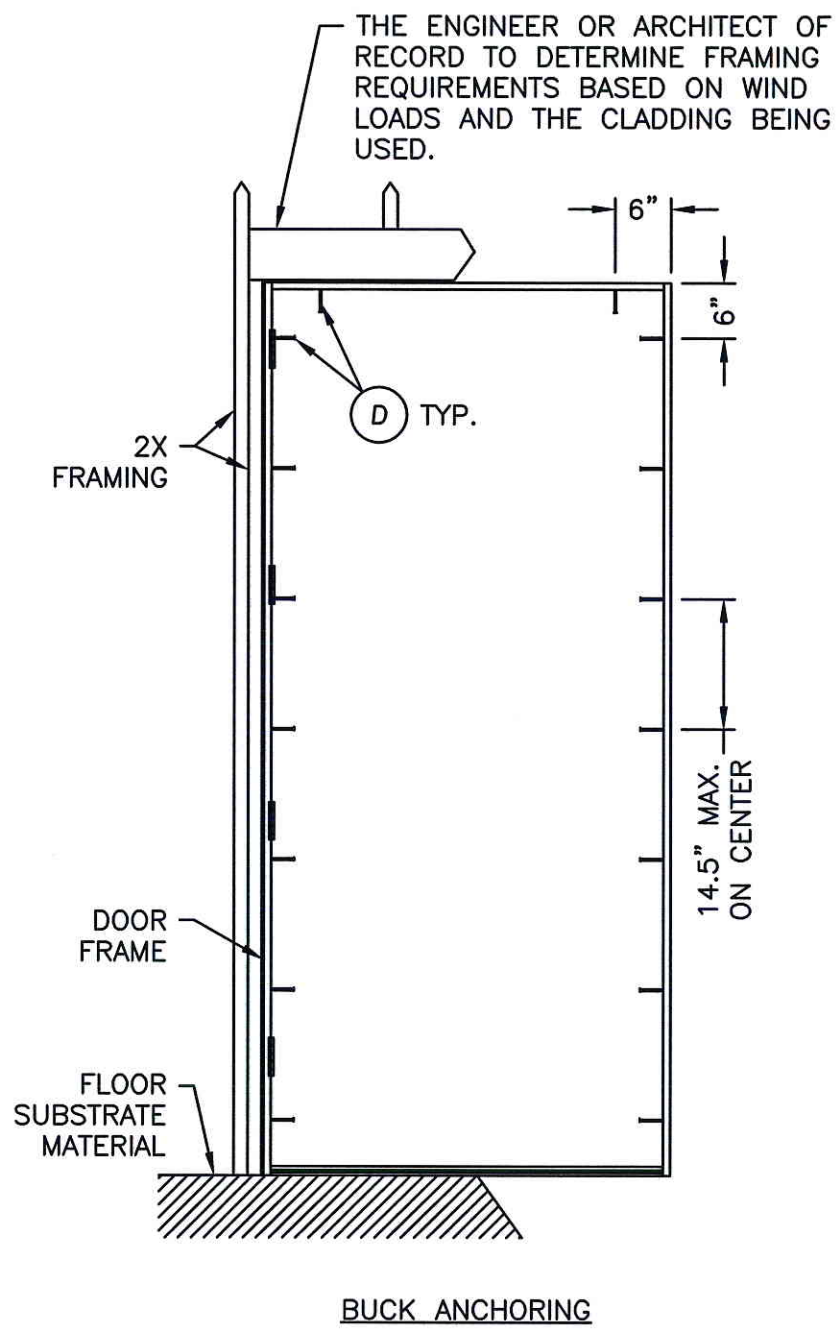
© 2012 R.W. BUILDING CONSULTANTS INC.



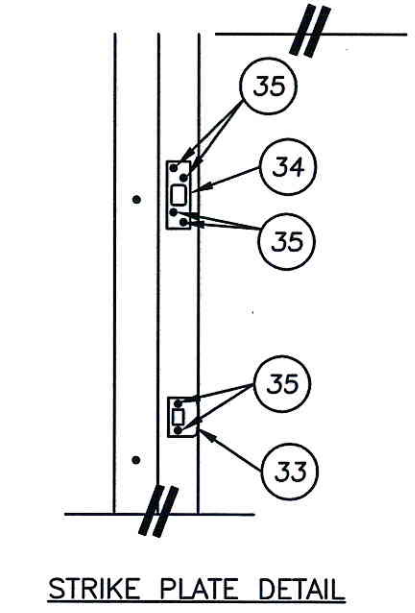
HINGE DETAIL



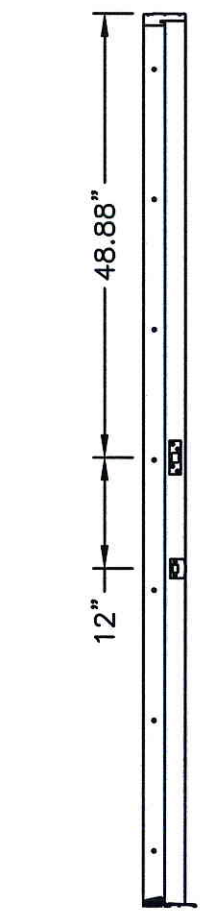
HINGE DETAIL



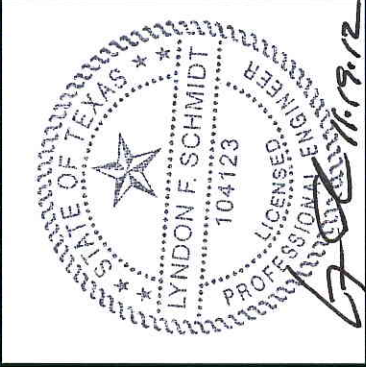
BUCK ANCHORING



STRIKE PLATE DETAIL



STRIKE PLATE DETAIL



Documents Prepared By: Lyndon F. Schmidt, P.E.
 TEXAS P.E. #104123

RW BUILDING CONSULTANTS, INC.
 P.O. Box 230 Valrico FL 33595
 Phone No.: 813.659.9197

TEXAS BOARD OF PROFESSIONAL ENGINEERS
 CERTIFICATE OF REGISTRATION # F-11852

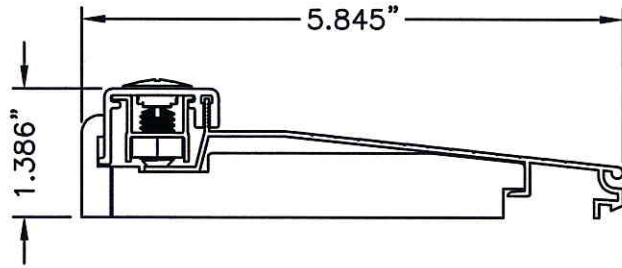
PRODUCT: SINGLE OPAQUE
 FIBERGLASS DOOR
 "IMPACT" INSWING / OUTSWING
 PART OR ASSEMBLY: FRAME ANCHORING

NO.	DATE	BY	REVISIONS

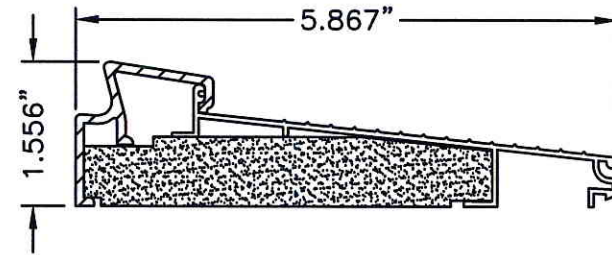
DATE: 7/16/12
 SCALE: N.T.S.
 DWG. BY: JK
 CHK. BY: LFS
 DRAWING NO.: TX-4178
 SHEET 6 OF 7

R:\A - Projects\Project Folders\Proj 1101 - 1200\pf1104\D. RWBC Drawings\TX-4175-83.dwg, X7

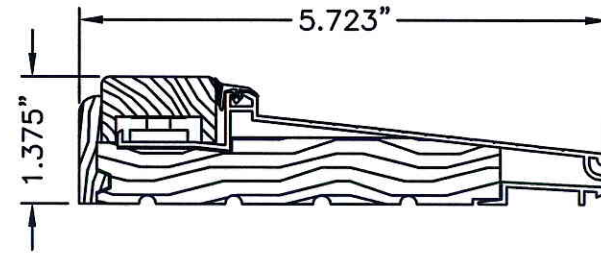
BILL OF MATERIALS		
ITEM	DESCRIPTION	MATERIAL
B	2X FRAMING (G >= 0.42)	WOOD
C	1/4" MAX. SHIM SPACE	WOOD
D	#10 X 2-1/2" PFH WOOD SCREW	STEEL
G	KWIKSET 200 SERIES PASSAGE LOCK	STEEL
H	KWIKSET 600 SERIES DEADBOLT	STEEL
1	INSWING ADJUSTABLE THRESHOLD (IS300AJ)	ALUM./WOOD
2	INSWING THRESHOLD (IS300HP5)	ALUM./COMP.
3	INSWING SELF ADJUST THERMAL BREAK THRESHOLD (ISP30M)	ALUM./COMP.
4	OUTSWING COASTAL THRESHOLD	ALUM./WOOD
5	OUTSWING STANDARD THRESHOLD	ALUM./WOOD
7	DOOR BOTTOM SWEEP	VINYL
8	JAMB (OAK)	WOOD
9	JAMB (PINE)	WOOD
10	HINGE STILE (SMOOTH STAR)	WOOD
11	LOCK STILE (SMOOTH STAR)	LVL/WOOD
12	TOP RAIL (SMOOTH STAR)	PVC
13	BOTTOM RAIL (SMOOTH STAR)	PVC
14	PANEL REINFORCEMENT 0.023" THK. (SMOOTH STAR)	STEEL
15	DOOR SKIN 0.070" THK. (SMOOTH STAR) Fy = 6,000 PSI MIN.	FIBERGLASS
16	HINGE STILE (CLASSIC CRAFT)	WOOD/LVL
28	WEATHERSTRIP	FOAM
29	HINGE	STEEL
30	#10 X 2-1/2" PFH SCREW	STEEL
31	#10 X 3/4" PFH SCREW	STEEL
32	#9 X 3" PFH WOOD SCREW	STEEL
33	LATCH STRIKE PLATE	STEEL
34	SECURITY STRIKE PLATE (SINGLE DOOR ONLY)	STEEL
35	#8 X 3" PFH SCREW	STEEL
62	HINGE STILE (FIBER CLASSIC)	WOOD
63	LOCK STILE (FIBER CLASSIC)	LVL/WOOD
64	TOP RAIL (FIBER CLASSIC)	PVC
65	BOTTOM RAIL (FIBER CLASSIC)	PVC
66	PANEL REINFORCEMENT 0.023" THK. (FIBER CLASSIC)	STEEL
67	DOOR SKIN 0.070" THK. (FIBER CLASSIC) Fy = 6,000 PSI MIN.	FIBERGLASS



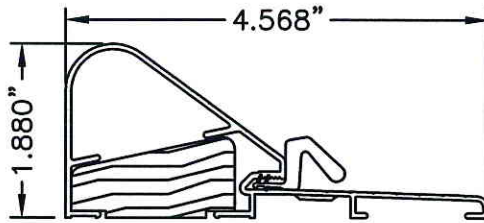
2 THRESHOLD
INSWING ADJUSTABLE



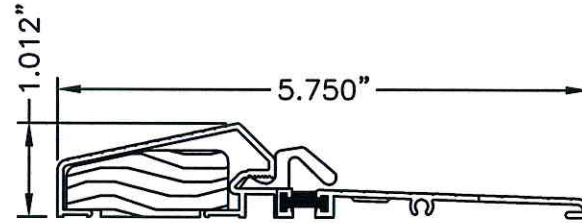
3 THRESHOLD
INSWING SELF-ADJUST



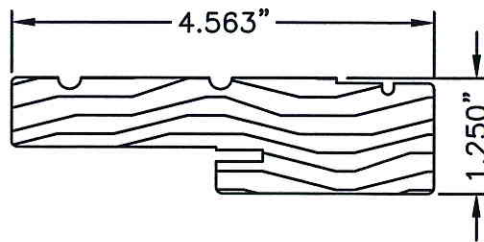
1 THRESHOLD
INSWING ADJUSTABLE



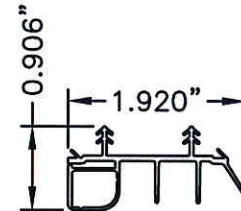
4 THRESHOLD
OUTSWING COASTAL



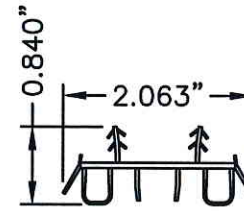
5 THRESHOLD
OUTSWING STANDARD



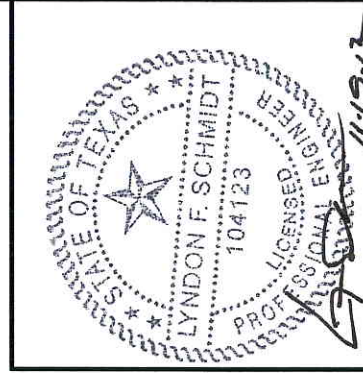
9 8 JAMB



7 SWEEP



52 SWEEP



Documents Prepared By: Lyndon F. Schmidt, P.E.
TEXAS P.E. #104123

RW BUILDING CONSULTANTS, INC.
P.O. Box 230 Valrico FL 33595
Phone No.: 813.659.9197

TEXAS BOARD OF PROFESSIONAL ENGINEERS
CERTIFICATE OF REGISTRATION # F-11852

PRODUCT: SINGLE OPAQUE
FIBERGLASS DOOR
"IMPACT" INSWING / OUTSWING
PART OR ASSEMBLY:
BILL OF MATERIALS
& COMPONENTS

NO.	DATE	BY	REVISIONS

DATE: 7/16/12
SCALE: N.T.S.
DWG. BY: JK
CHK. BY: LFS
DRAWING NO.: TX-4178
SHEET 7 OF 7

© 2012 R.W. BUILDING CONSULTANTS INC.