

# THERMA TRU®

118 INDUSTRIAL DR., EDGERTON, OH 43517  
TEL. (419)298-1740

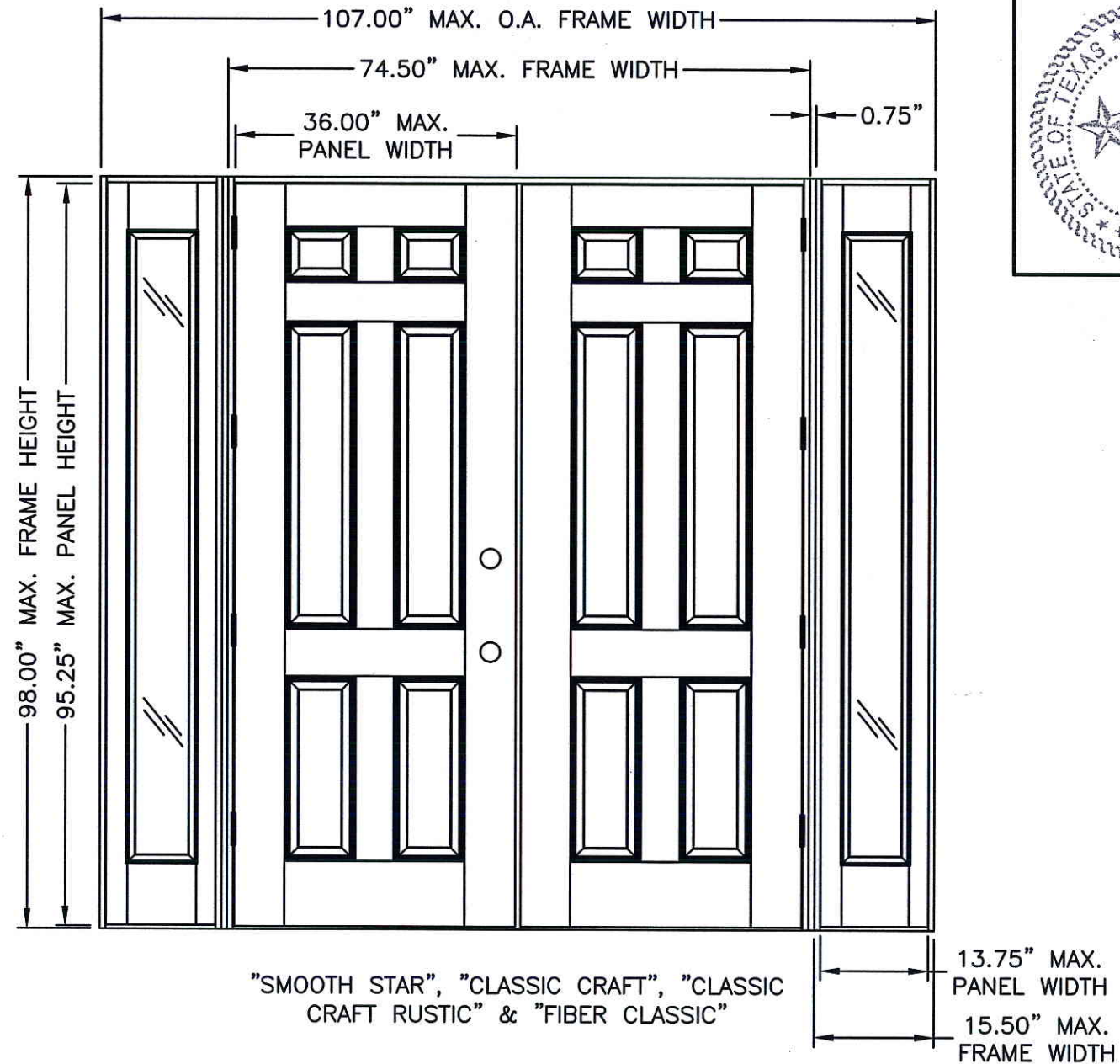
## SMOOTH STAR, FIBER CLASSIC, CLASSIC CRAFT & CLASSIC CRAFT RUSTIC DOUBLE "IMPACT" DOOR WITH "NON-IMPACT" SIDELITES IN SWING / OUT SWING

### EVALUATED FOR USE IN THE STATE OF TEXAS

The Fiberglass Opaque Door described herein complies with the 2006 International Residential Code (IRC), Sections R301 & R613 and the 2006 International Building Code (IBC), Sections 1405.12, 1609, 1714.5, 2403 and 2404 (including Texas revisions) subject to the following conditions:

1. Anchors shall be as listed and spaced as shown in the details. Anchor embedment to base material shall be beyond wall dressing or stucco.
2. The opaque door has been tested and evaluated as a large missile impact protective system for installation in the Seaward, Inland I and Inland II areas. The opaque door meets missile level "D" as defined in ASTM E 1996. The non-impact sidelites require an impact protective system when installed in the Seaward, Inland I and Inland II areas.
3. Allowable design pressure requirements must be equal to or less than the design pressure rating shown in the design pressure chart, sheet 1 of this drawing.
4. Conditions not covered by this drawing are subject to further engineering analysis.

TABLE OF CONTENTS	
SHEET #	DESCRIPTION
1	TYPICAL ELEVATION, DESIGN PRESSURES & GENERAL NOTES
2	DOOR PANEL DETAILS (SMOOTH STAR)
3	DOOR PANEL DETAILS (CLASSIC CRAFT)
4	DOOR PANEL DETAILS (CLASSIC CRAFT RUSTIC)
5	DOOR PANEL DETAILS (FIBER CLASSIC)
6	SIDELITE PANEL DETAILS
7	HORIZONTAL CROSS SECTIONS
8	VERTICAL CROSS SECTIONS
9	VERTICAL CROSS SECTIONS
10	FRAME ANCHORING
11	ASTRAGAL, HARDWARE & GLAZING DETAILS
12	COMPONENTS
13	BILL OF MATERIALS



DOOR TYPE	SWING	OVERALL FRAME DIMENSION	DESIGN PRESSURE	
			POSITIVE	NEGATIVE
CLASSIC CRAFT	OUTSWING	107.00" X 96.50"	+65.0	-65.0
	IN SWING	107.00" X 98.00"	+65.0	-65.0
FIBER CLASSIC	OUTSWING	107.00" X 96.50"	+65.0	-65.0
	IN SWING	107.00" X 98.00"	+65.0	-65.0
SMOOTH STAR	OUTSWING	107.00" X 96.50"	+65.0	-65.0
	IN SWING	107.00" X 98.00"	+65.0	-65.0
CLASSIC CRAFT RUSTIC	OUTSWING	107.00" X 96.50"	+65.0	-65.0
	IN SWING	107.00" X 98.00"	+65.0	-65.0



Documents Prepared By: Lyndon F. Schmidt, P.E.  
TEXAS P.E. #104123

RW BUILDING CONSULTANTS, INC.  
P.O. Box 230 Vairico FL 33595  
Phone No.: 813.659.9197

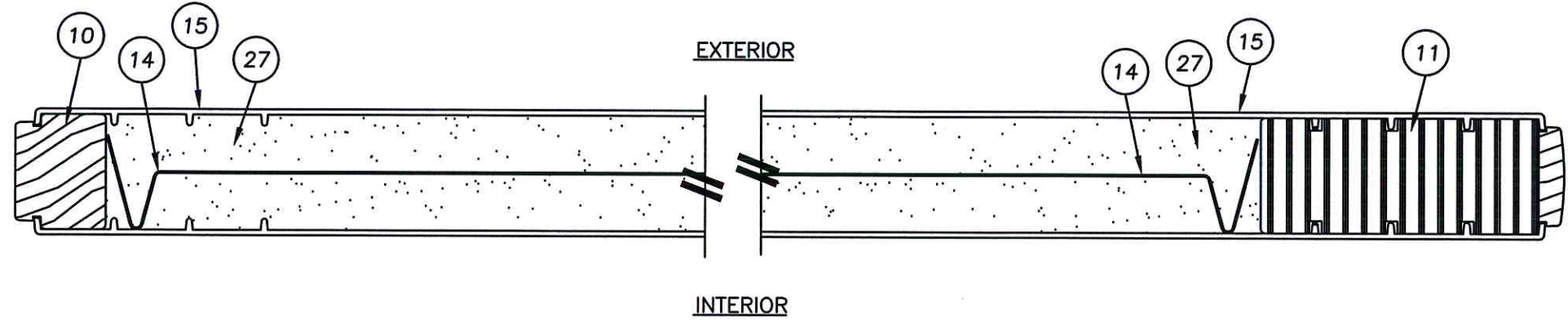
TEXAS BOARD OF PROFESSIONAL ENGINEERS  
CERTIFICATE OF REGISTRATION # F-11852

PRODUCT: DOUBLE OPAQUE  
FIBERGLASS DOOR W/ SIDELITES  
"IMPACT" IN SWING / OUT SWING  
PART OR ASSEMBLY:

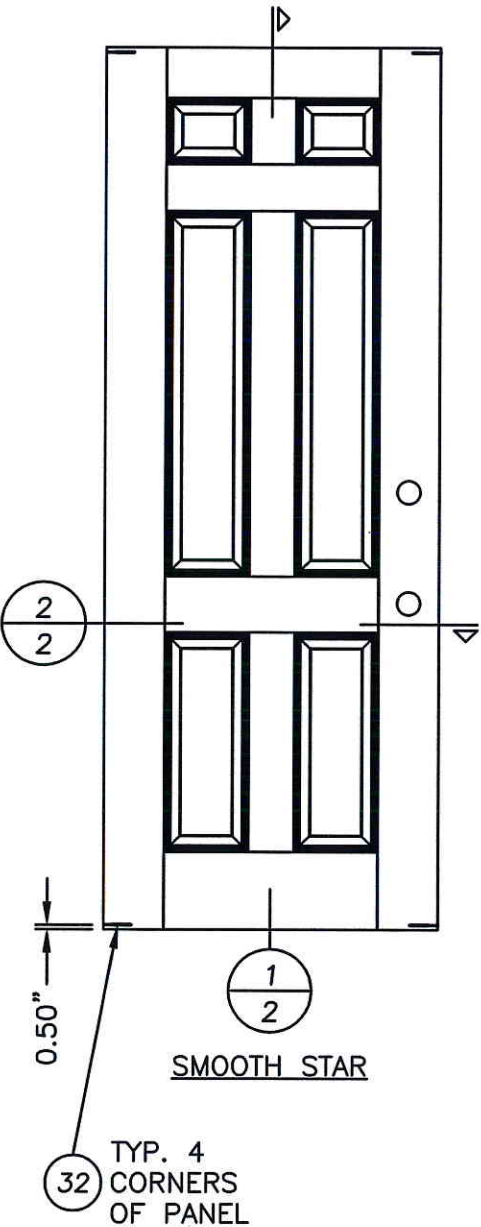
TYPICAL ELEVATION, DESIGN  
PRESSURES & GENERAL NOTES

NO.	DATE	BY	REVISIONS

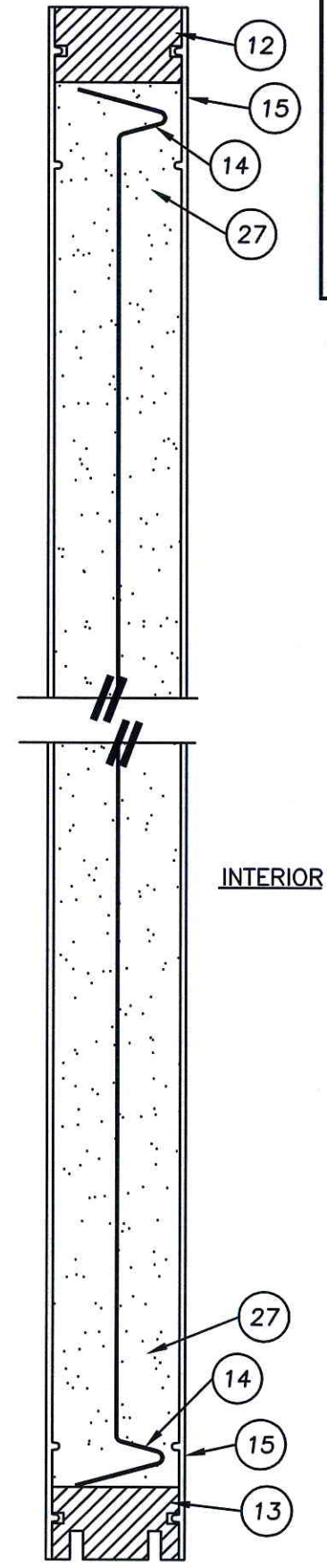
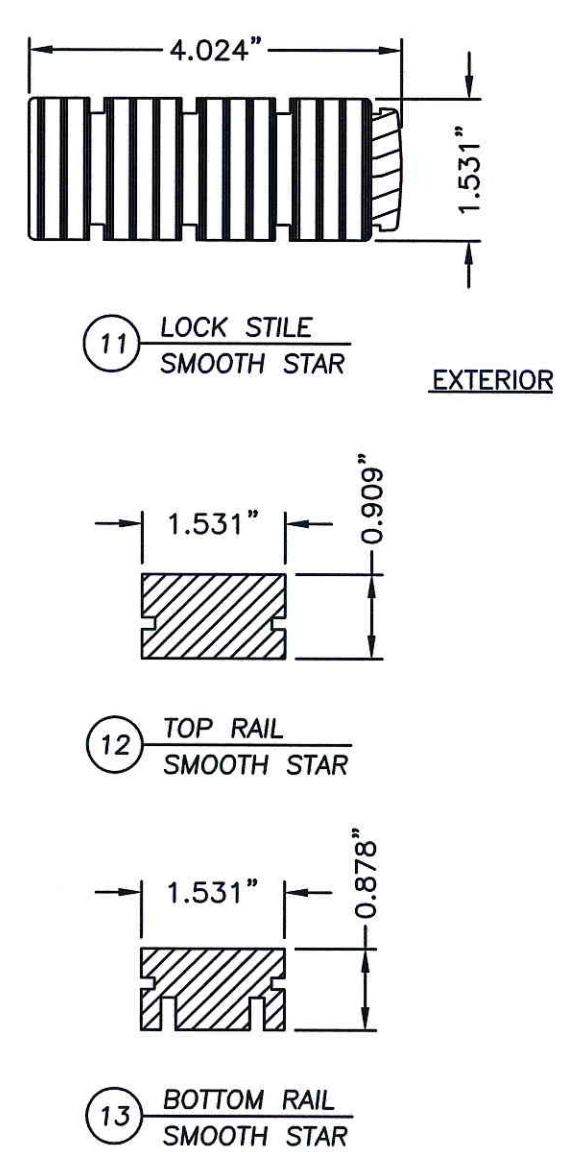
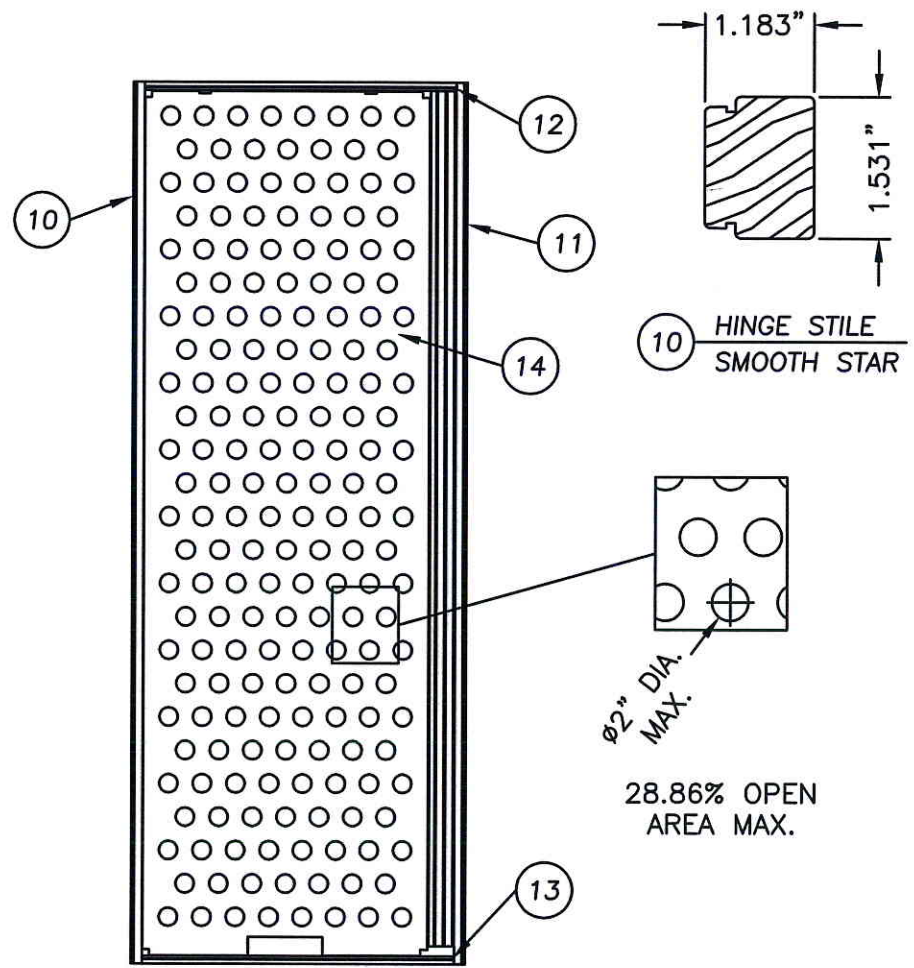
DATE: 7/16/12  
SCALE: N.T.S.  
DWG. BY: JK  
CHK. BY: LFS  
DRAWING NO.: TX-4175  
SHEET 1 OF 13



2 HORIZONTAL CROSS SECTION  
2 SMOOTH STAR



1 VERTICAL CROSS SECTION  
2 SMOOTH STAR



Documents Prepared By: Lyndon F. Schmidt, P.E.  
TEXAS P.E. #104123

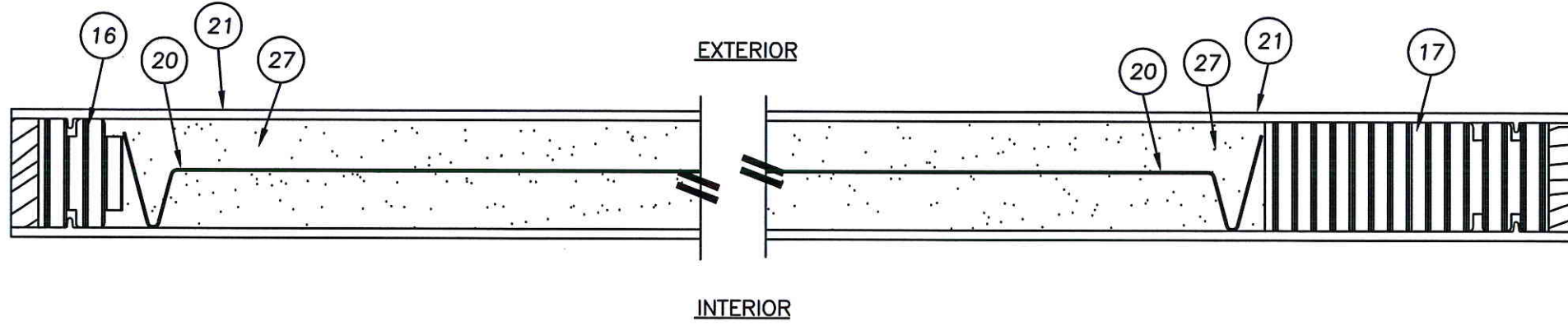
**RW** BUILDING CONSULTANTS, INC.  
P.O. Box 230 Vairico FL 33595  
Phone No.: 813.658.9197

TEXAS BOARD OF PROFESSIONAL ENGINEERS  
CERTIFICATE OF REGISTRATION # F-11852

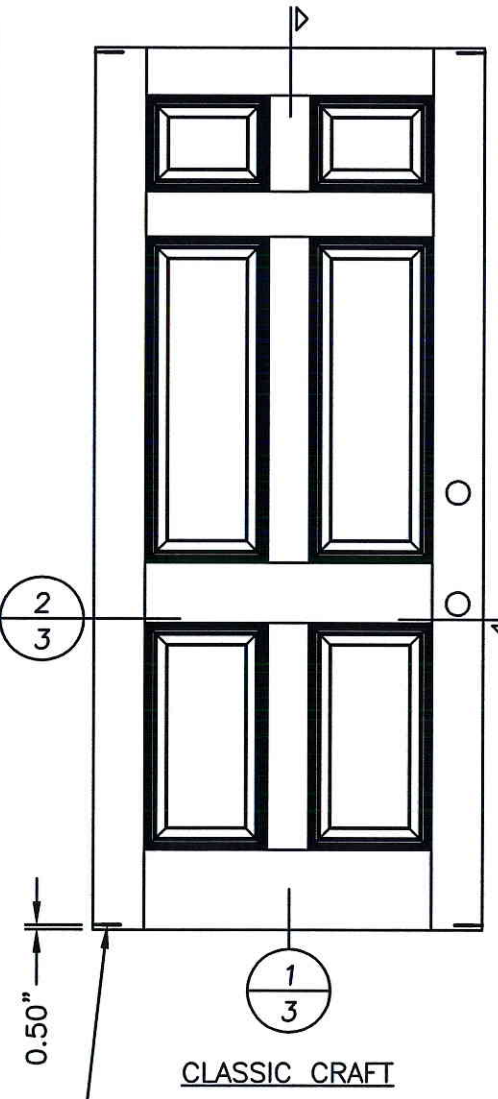
PRODUCT: DOUBLE OPAQUE  
FIBERGLASS DOOR W/ SIDELITES  
"IMPACT" INSWING / OUTSWING  
PART OR ASSEMBLY:  
DOOR PANEL DETAILS  
(SMOOTH STAR)

NO.	DATE	BY

DATE: 7/16/12  
SCALE: N.T.S.  
DWG. BY: JK  
CHK. BY: LFS  
DRAWING NO.: TX-4175  
SHEET 2 OF 13

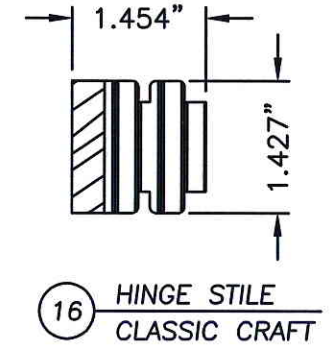
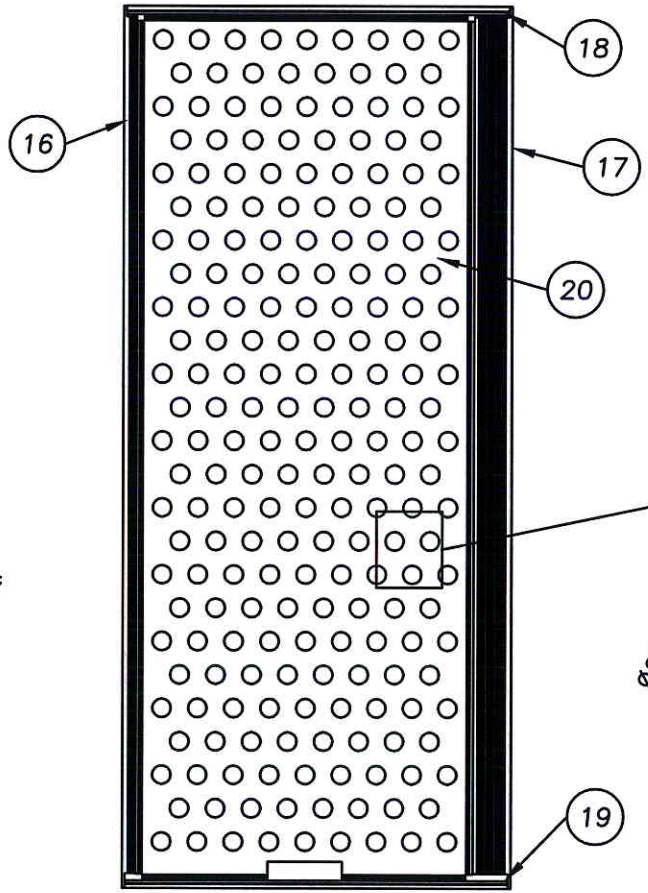


2 HORIZONTAL CROSS SECTION  
3 CLASSIC CRAFT

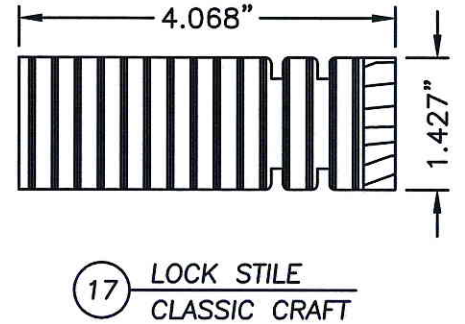


1 CLASSIC CRAFT

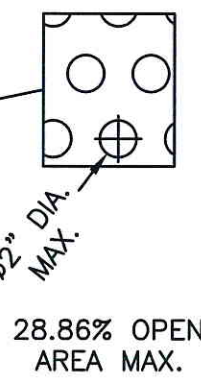
32 TYP. 4 CORNERS OF PANEL



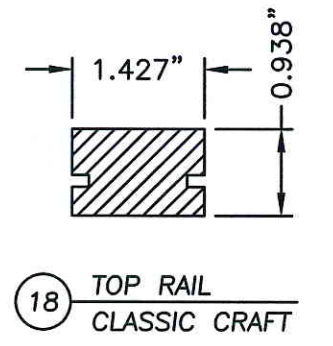
16 HINGE STILE CLASSIC CRAFT



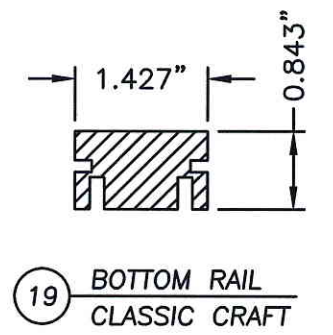
17 LOCK STILE CLASSIC CRAFT



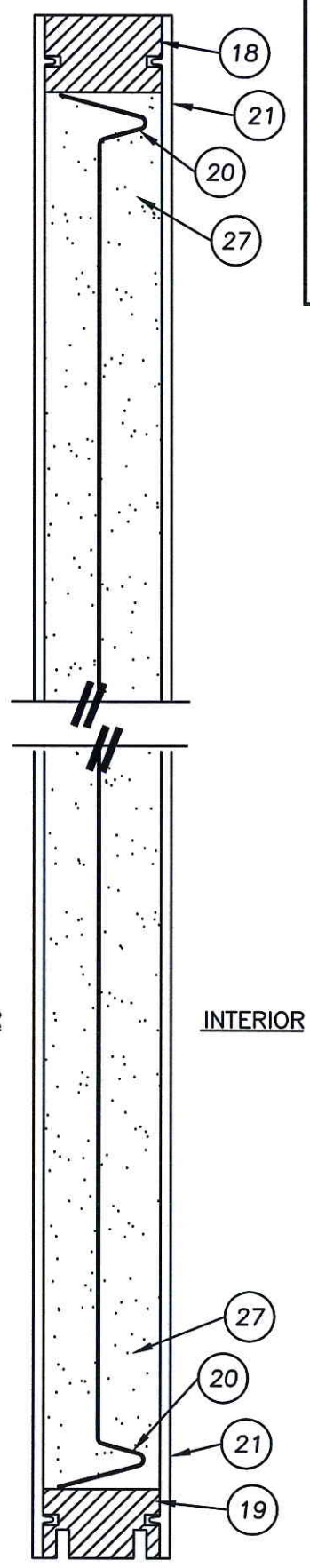
28.86% OPEN AREA MAX.



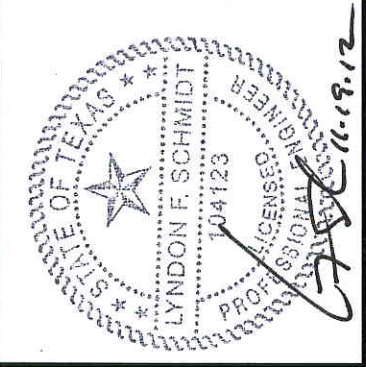
18 TOP RAIL CLASSIC CRAFT



19 BOTTOM RAIL CLASSIC CRAFT



1 VERTICAL CROSS SECTION  
3 CLASSIC CRAFT



Documents Prepared By: Lyndon F. Schmidt, P.E.  
TEXAS P.E. #104123

RW BUILDING CONSULTANTS, INC.  
P.O. Box 230 Valrico FL 33595  
Phone No.: 813.658.9197

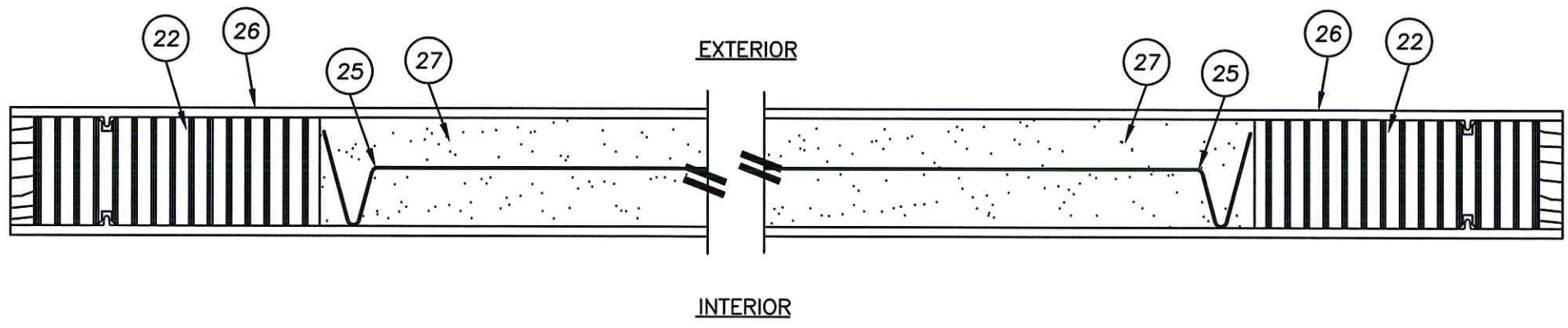
TEXAS BOARD OF PROFESSIONAL ENGINEERS  
CERTIFICATE OF REGISTRATION # F-11852

PRODUCT: DOUBLE OPAQUE FIBERGLASS DOOR W/ SIDELITES "IMPACT" INSWING / OUTSWING  
PART OR ASSEMBLY: DOOR PANEL DETAILS (CLASSIC CRAFT)

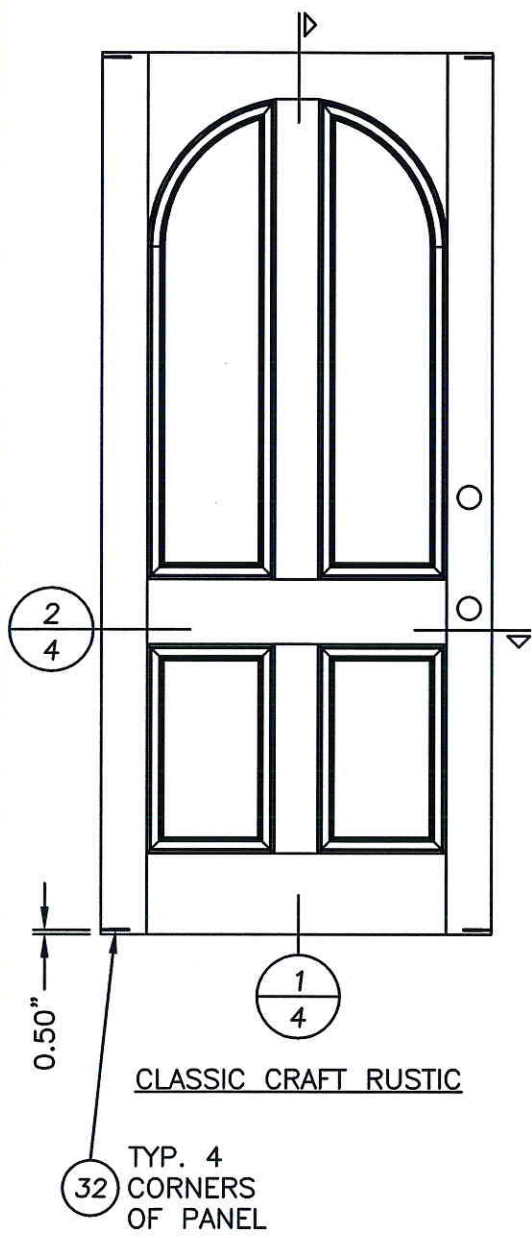
REVISIONS	
NO.	DATE

DATE: 7/16/12  
SCALE: N.T.S.  
DWG. BY: JK  
CHK. BY: LFS  
DRAWING NO.: TX-4175  
SHEET 3 OF 13

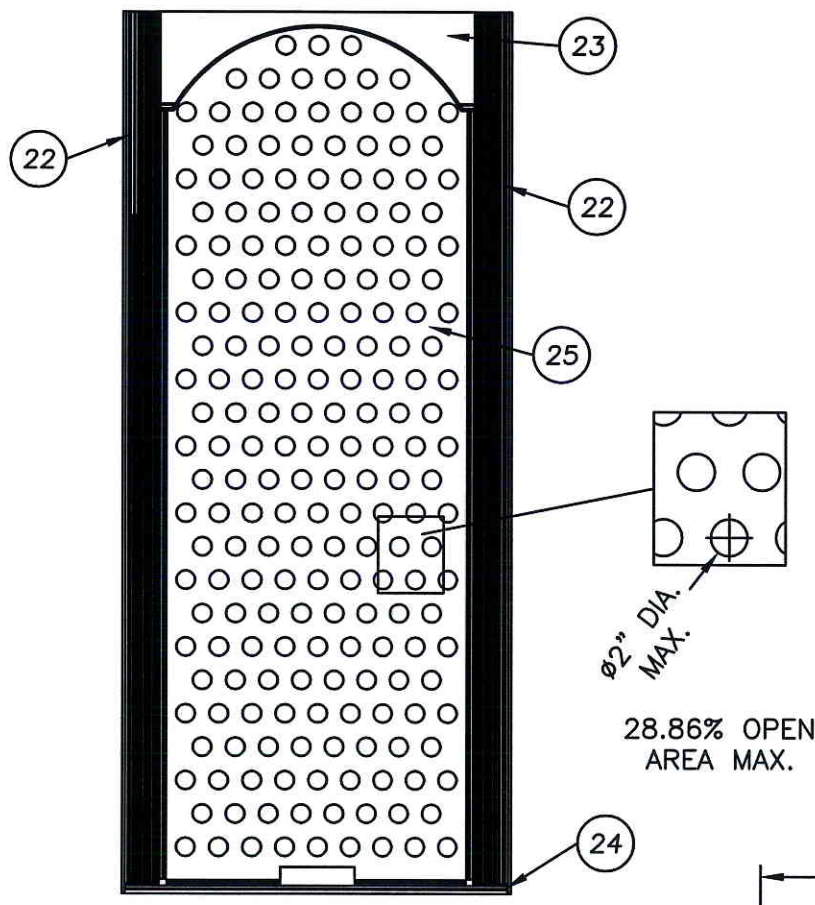
R:\A - Projects\Project Folders\Proj 1101 - 1200\pf1104\D. RWBC Drawings\TX-4175-83.dwg, OXXO4



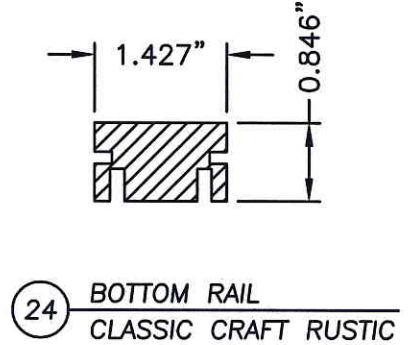
2 HORIZONTAL CROSS SECTION  
4 CLASSIC CRAFT RUSTIC



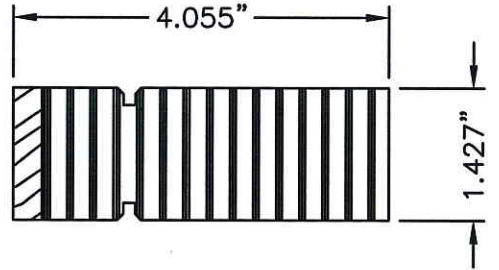
1 VERTICAL CROSS SECTION  
4 CLASSIC CRAFT RUSTIC



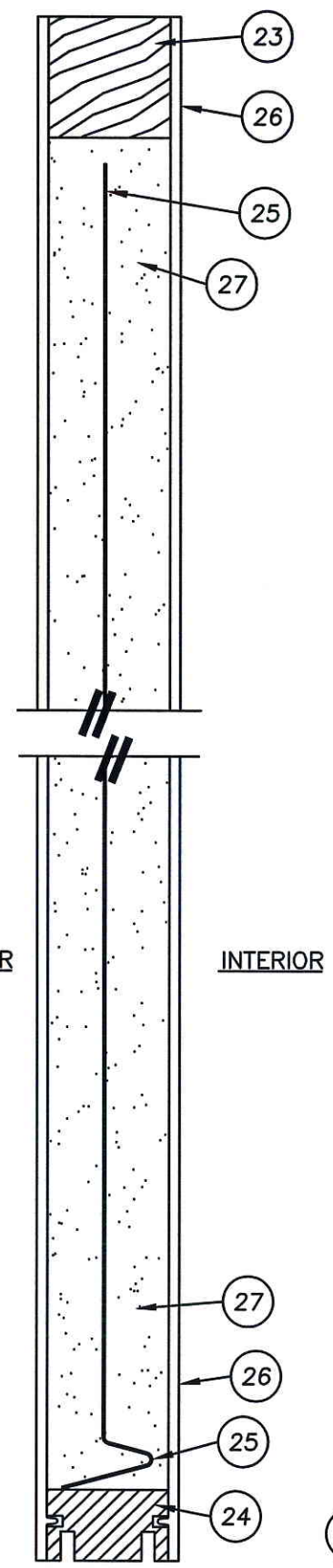
Ø2" DIA.  
MAX.  
28.86% OPEN  
AREA MAX.



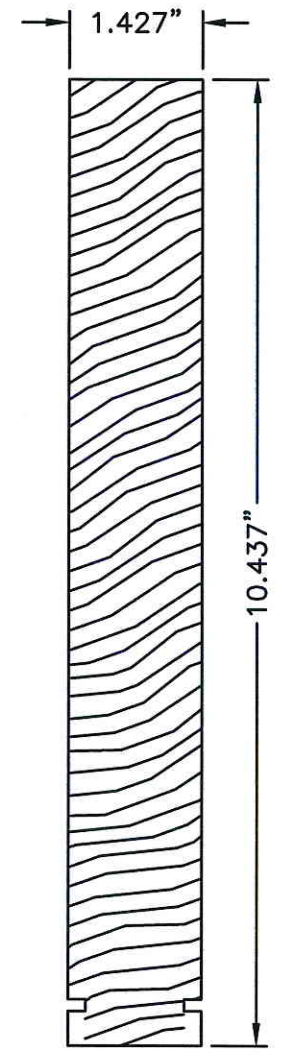
24 BOTTOM RAIL  
CLASSIC CRAFT RUSTIC



22 LOCK & HINGE STILE  
CLASSIC CRAFT RUSTIC



23 TOP RAIL  
CLASSIC CRAFT RUSTIC



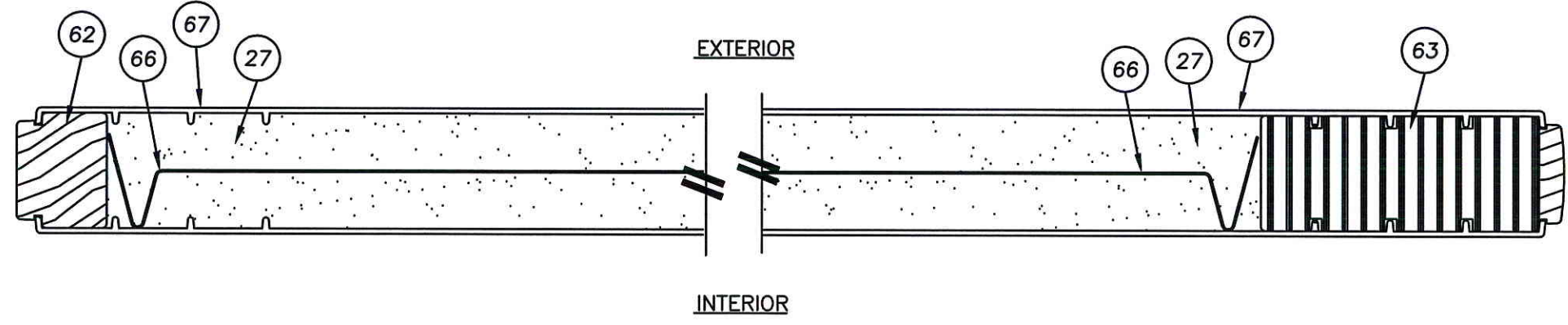
Documents Prepared By: Lyndon F. Schmidt, P.E.  
TEXAS P.E. #104123  
**RW** BUILDING CONSULTANTS, INC.  
P.O. Box 230 Valrico FL 33595  
Phone No.: 813.659.9197  
TEXAS BOARD OF PROFESSIONAL ENGINEERS  
CERTIFICATE OF REGISTRATION # F-11852

PRODUCT: DOUBLE OPAQUE  
FIBERGLASS DOOR W/SIDELITES  
"IMPACT" INSWING / OUTSWING  
PART OR ASSEMBLY:  
DOOR PANEL DETAILS  
(CLASSIC CRAFT RUSTIC)

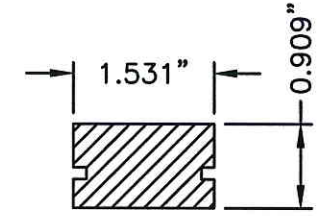
NO.	DATE	BY	REVISIONS

DATE: 7/16/12  
SCALE: N.T.S.  
DWG. BY: JK  
CHK. BY: LFS  
DRAWING NO.: TX-4175  
SHEET 4 OF 13

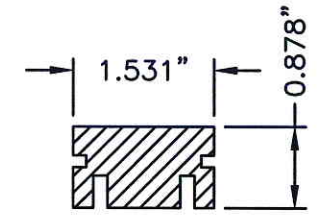
R:\A - Projects\Project Folders\Proj 1101 - 1200\pf1104\1D. RWBC Drawings\TX-4175-83.dwg, OXX05



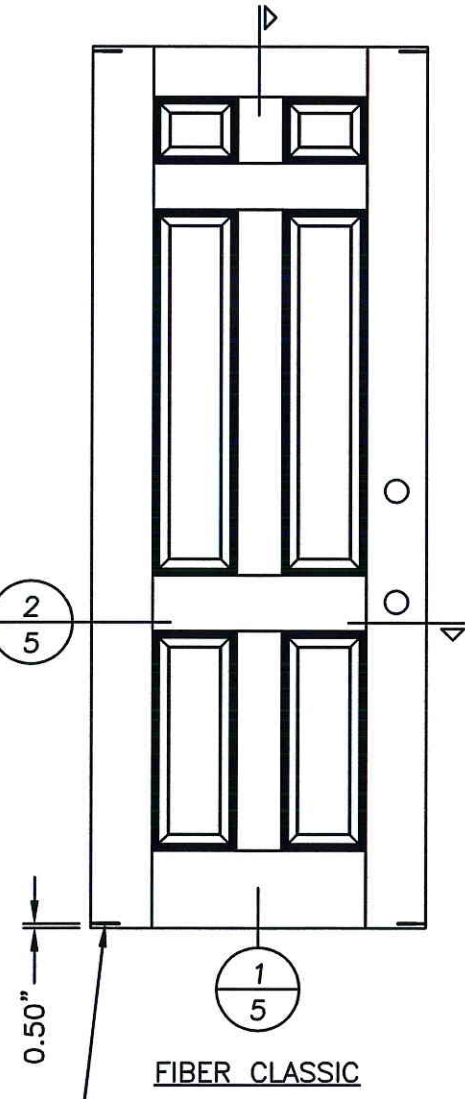
2 HORIZONTAL CROSS SECTION  
5 FIBER CLASSIC



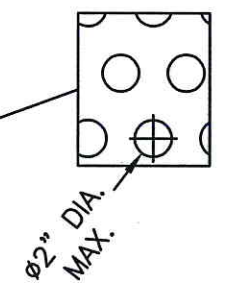
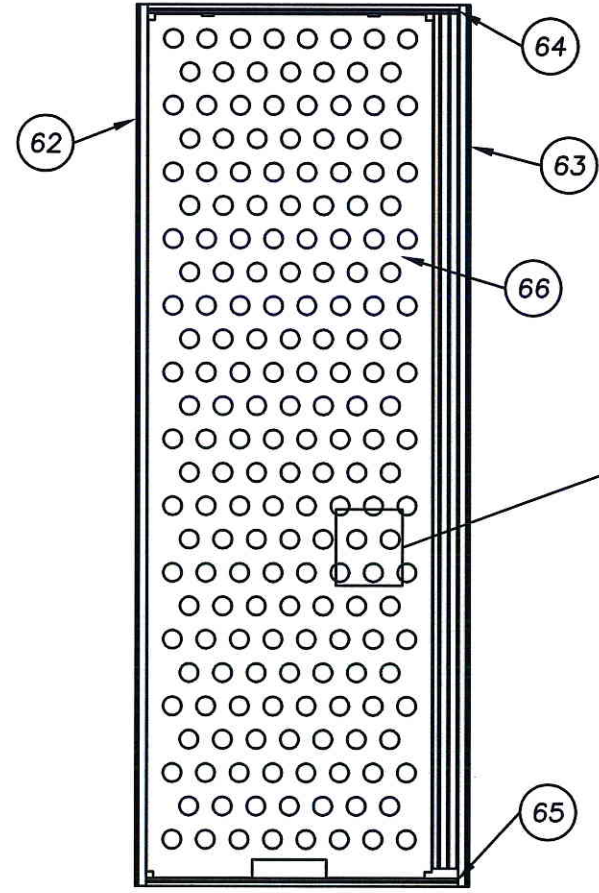
64 TOP RAIL  
FIBER CLASSIC



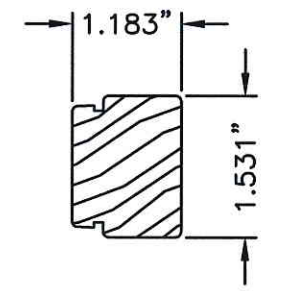
65 BOTTOM RAIL  
FIBER CLASSIC



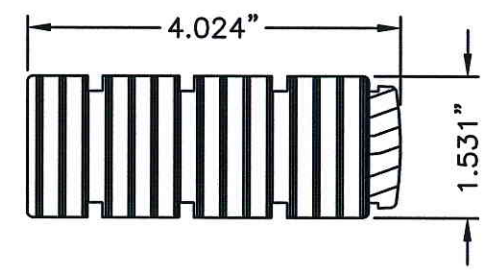
1 VERTICAL CROSS SECTION  
5 FIBER CLASSIC



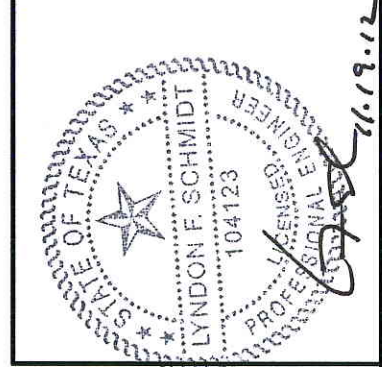
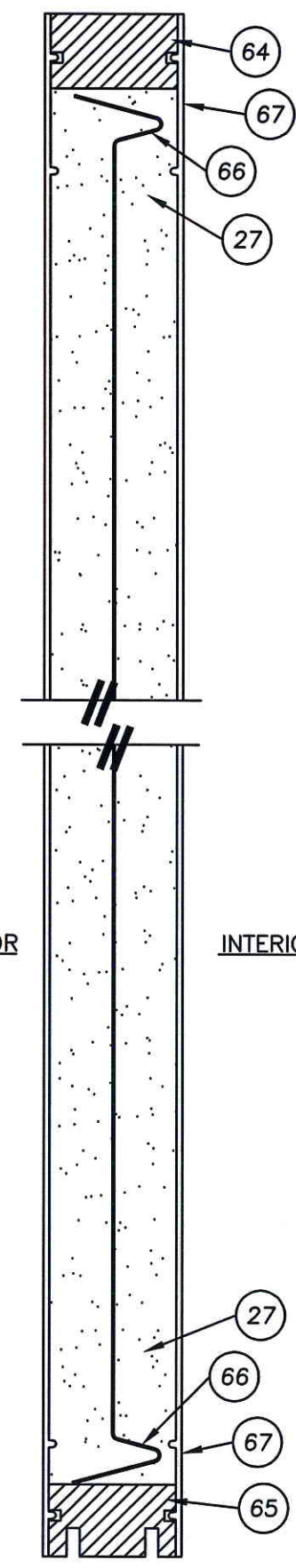
28.86% OPEN AREA MAX.



62 HINGE STILE  
FIBER CLASSIC



63 LOCK STILE  
FIBER CLASSIC



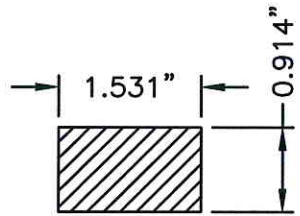
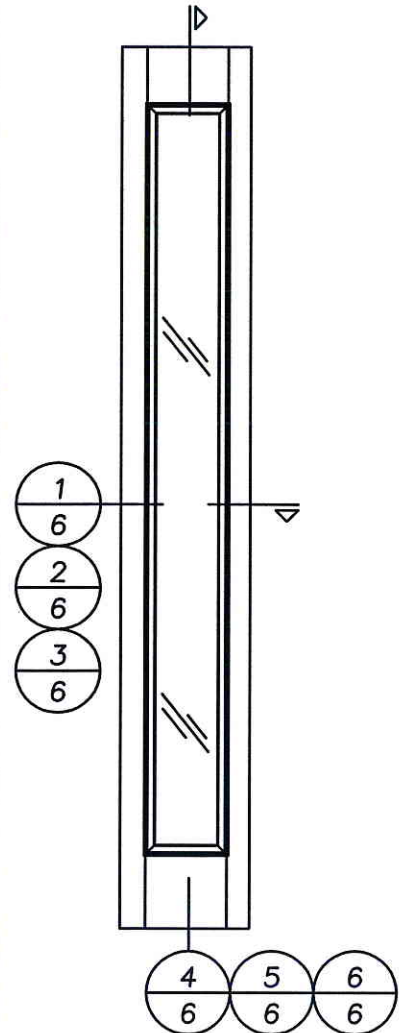
Documents Prepared By: Lyndon F. Schmidt, P.E.  
TEXAS P.E. #104123  
**RW** BUILDING CONSULTANTS, INC.  
P.O. Box 230 Valrico FL 33595  
Phone No.: 813.659.9197  
TEXAS BOARD OF PROFESSIONAL ENGINEERS  
CERTIFICATE OF REGISTRATION # F-11852

PRODUCT: DOUBLE OPAQUE  
FIBERGLASS DOOR W/ SIDELITES  
"IMPACT" INSWING / OUTSWING  
PART OR ASSEMBLY:  
DOOR PANEL DETAILS  
(FIBER CLASSIC)

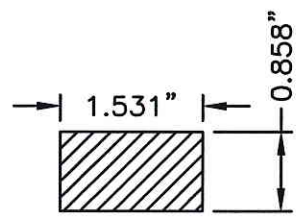
NO.	DATE	BY	REVISIONS

DATE: 7/16/12  
SCALE: N.T.S.  
DWG. BY: JK  
CHK. BY: LFS  
DRAWING NO.: TX-4175  
SHEET 5 OF 13

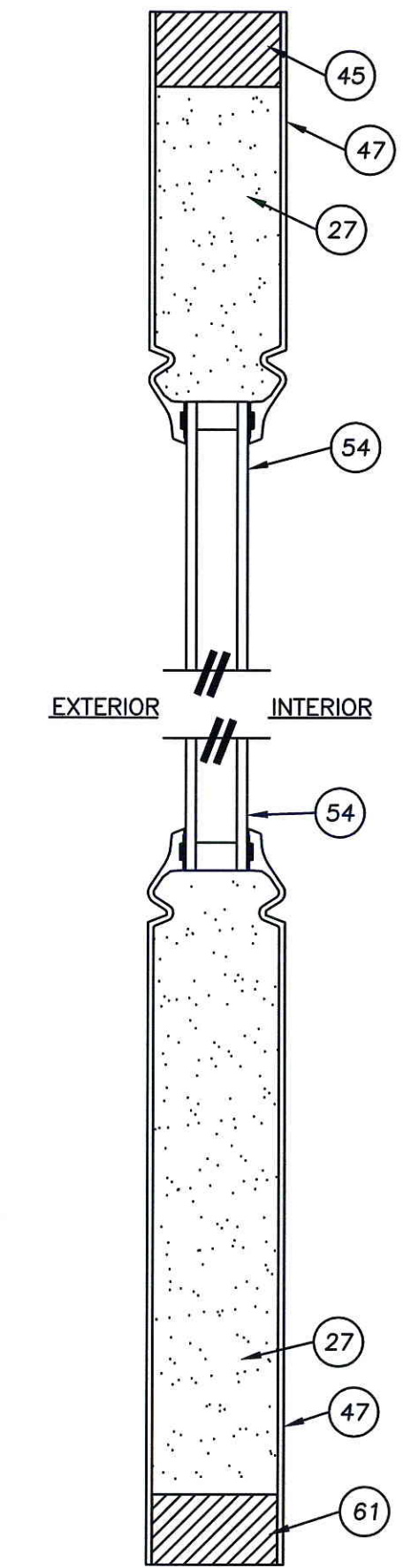
R:\A - Projects\Project Folders\Proj 1101 - 1200\pf1104\ID. RWBC Drawings\TX-4175-83.dwg, OXX06



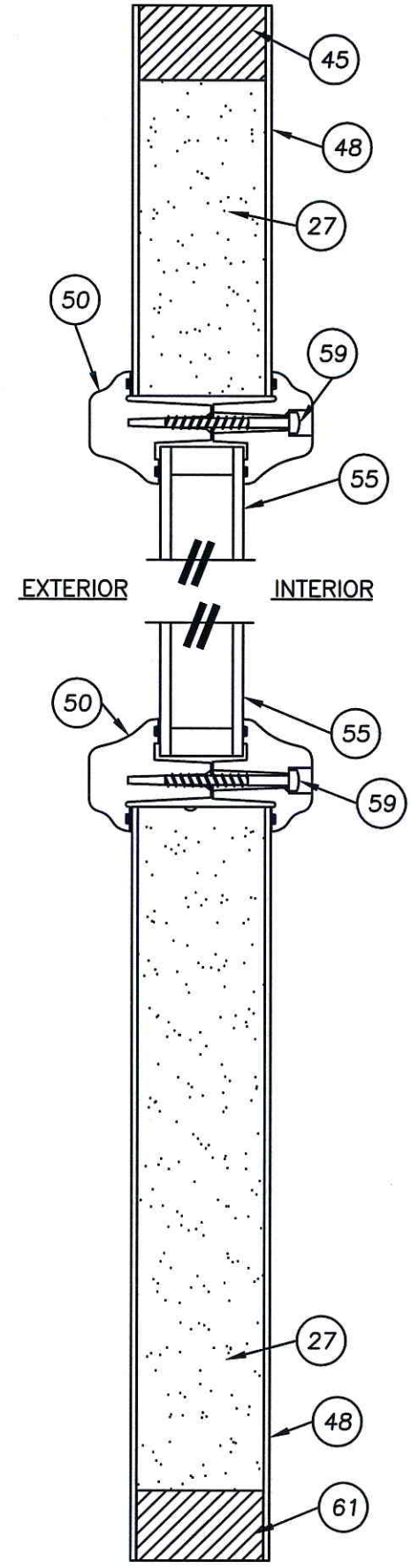
45 TOP RAIL SIDELITE



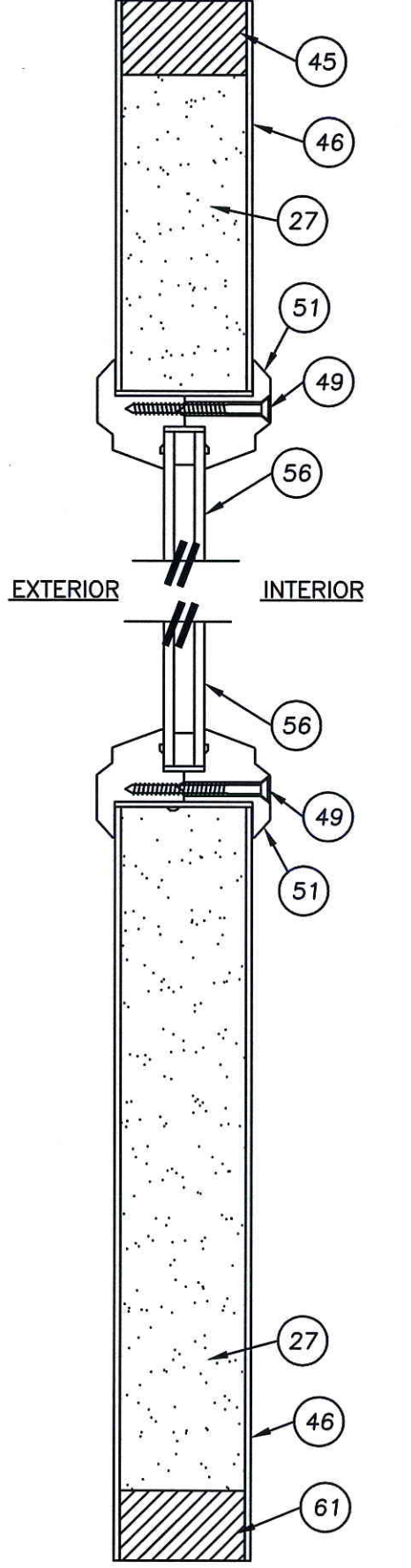
61 BOTTOM RAIL SIDELITE



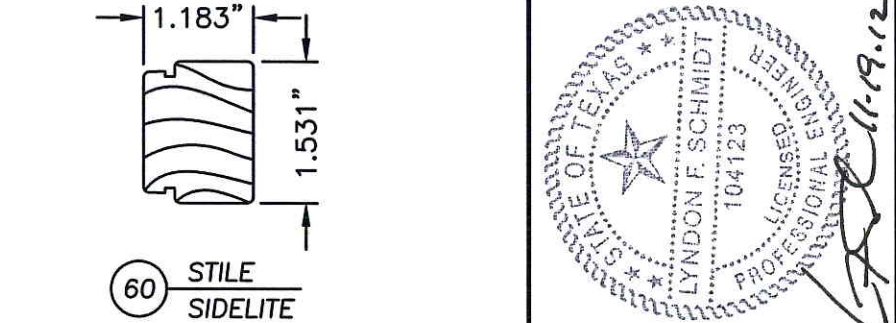
4 VERTICAL CROSS SECTION (CLASSIC CRAFT)  
6



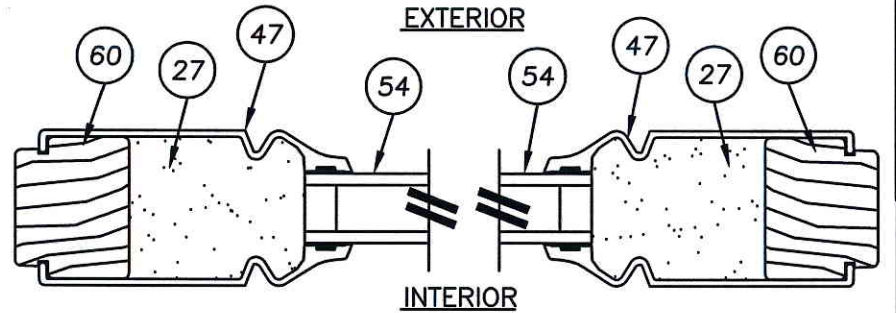
5 VERTICAL CROSS SECTION (FIBER CLASSIC)  
6



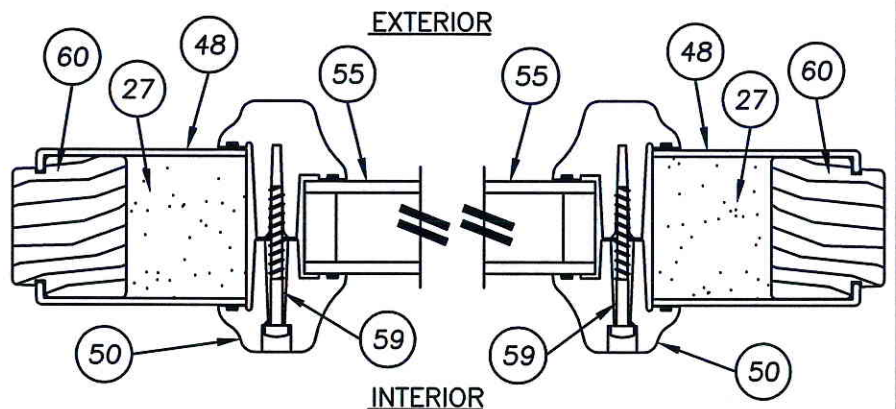
6 VERTICAL CROSS SECTION (SMOOTH STAR)  
6



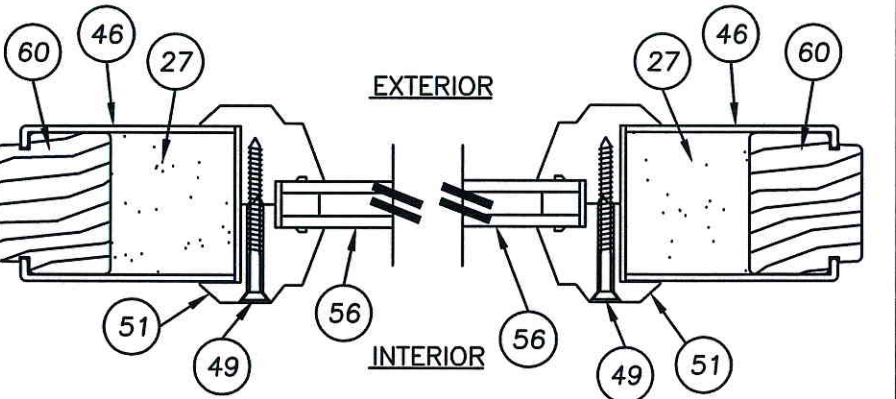
60 STILE SIDELITE



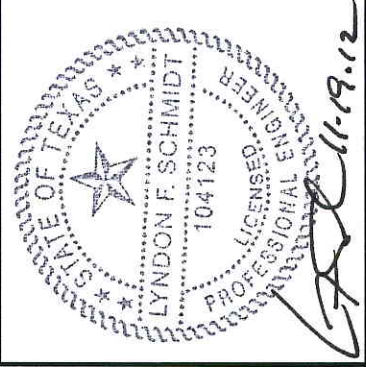
1 HORIZONTAL CROSS SECTION (CLASSIC CRAFT)  
6



2 HORIZONTAL CROSS SECTION (FIBER CLASSIC)  
6



3 HORIZONTAL CROSS SECTION (SMOOTH STAR)  
6



Documents Prepared By: Lyndon F. Schmidt, P.E.  
TEXAS P.E. #104123

**RW** BUILDING CONSULTANTS, INC.  
P.O. Box 230 Valrico FL 33595  
Phone No.: 813.659.9197

TEXAS BOARD OF PROFESSIONAL ENGINEERS  
CERTIFICATE OF REGISTRATION # F-11852

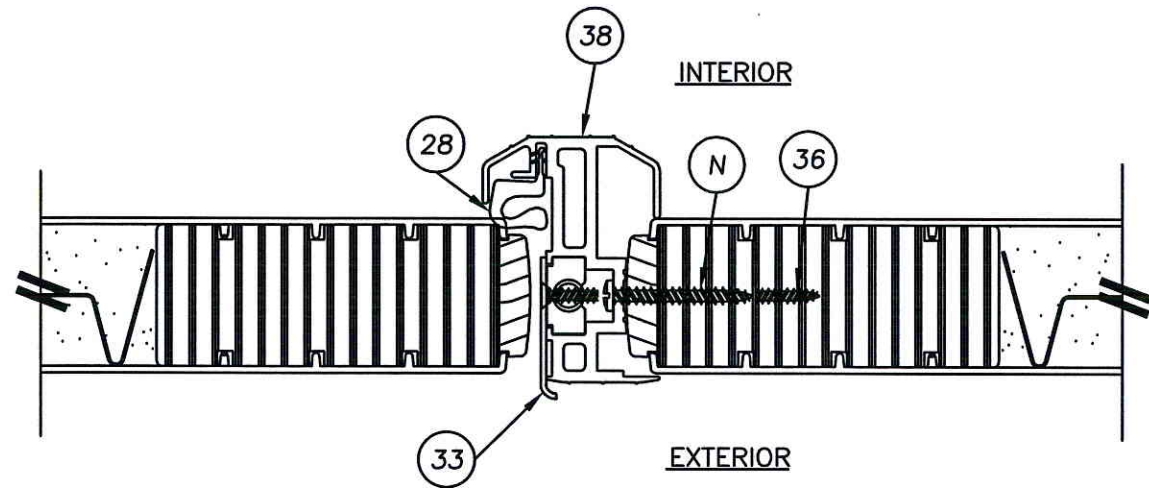
PRODUCT: DOUBLE OPAQUE  
FIBERGLASS DOOR W/SIDELITES  
"IMPACT" INSURING / OUTSWING

PART OR ASSEMBLY: SIDELITE PANEL DETAILS

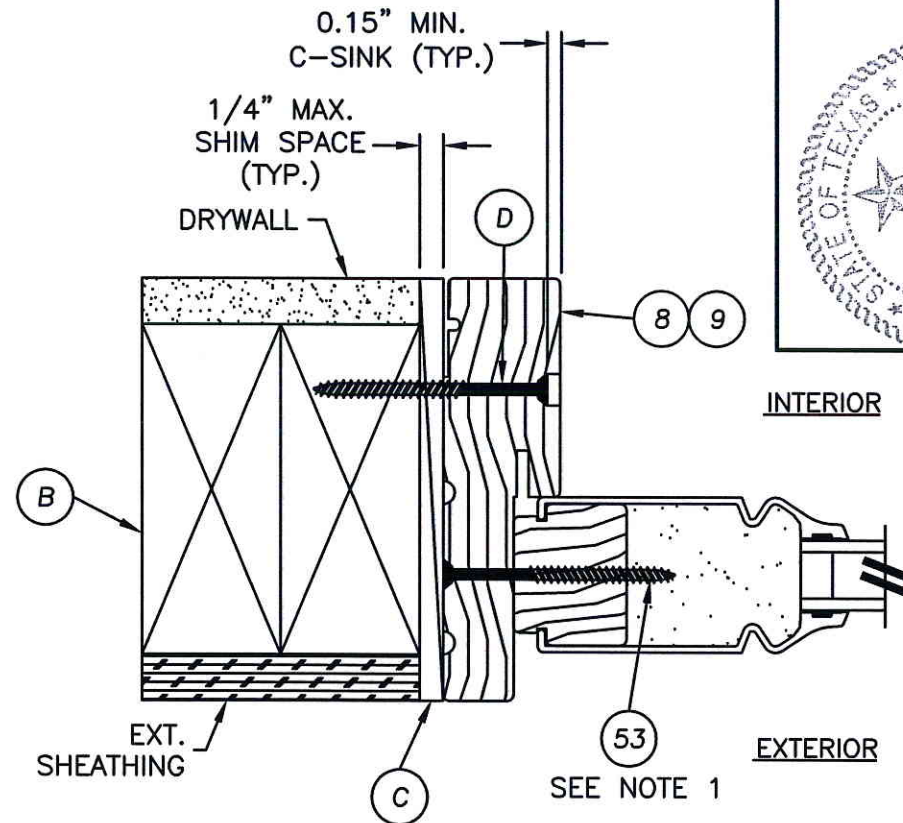
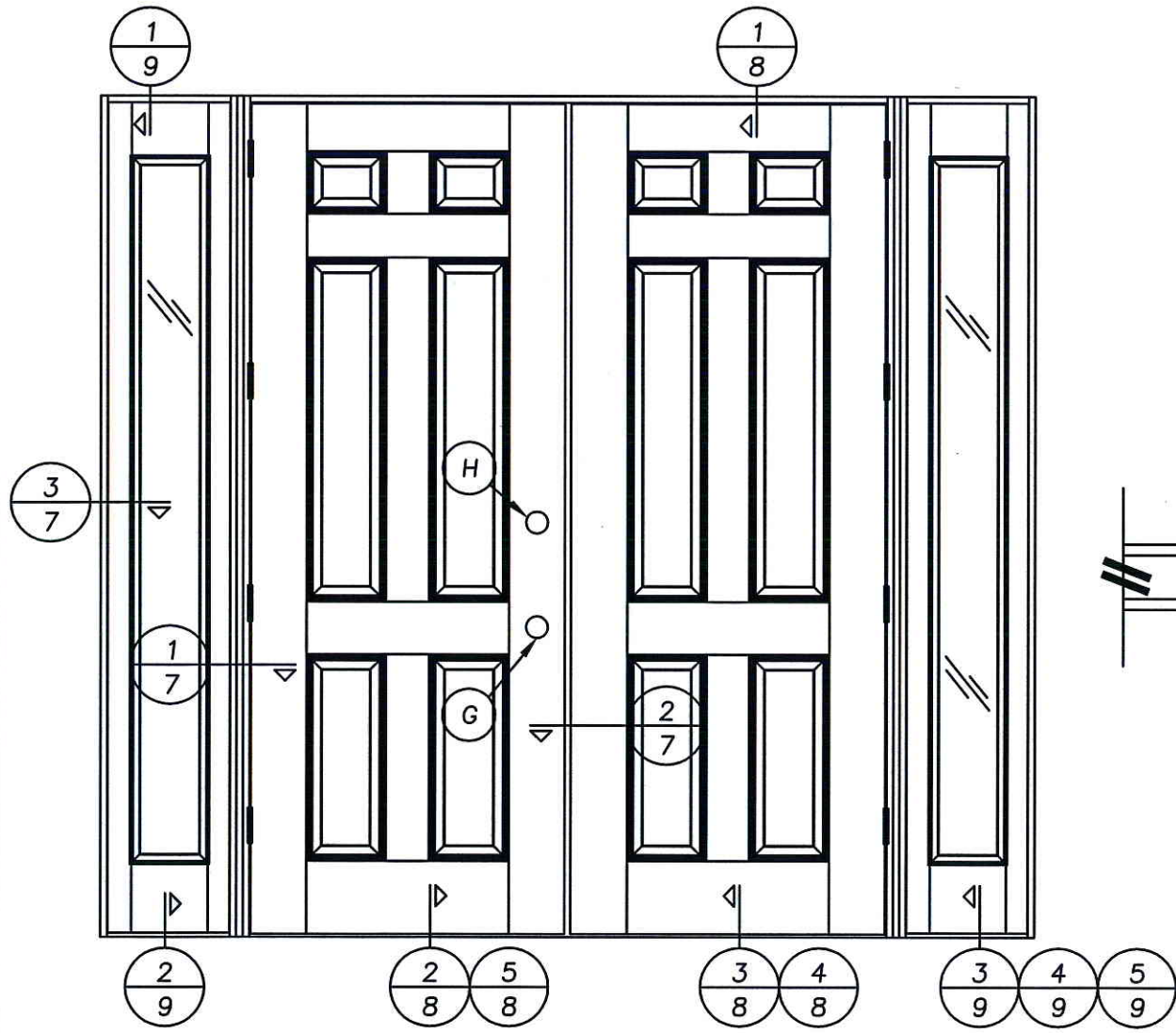
NO.	DATE	REVISIONS	BY

DATE: 7/16/12  
SCALE: N.T.S.  
DWG. BY: JK  
CHK. BY: LFS  
DRAWING NO.: TX-4175  
SHEET 6 OF 13

R:\A - Projects\Project Folders\Proj 1101 - 1200\pf1104\1D. RWBC Drawings\TX-4175-83.dwg, OXX07

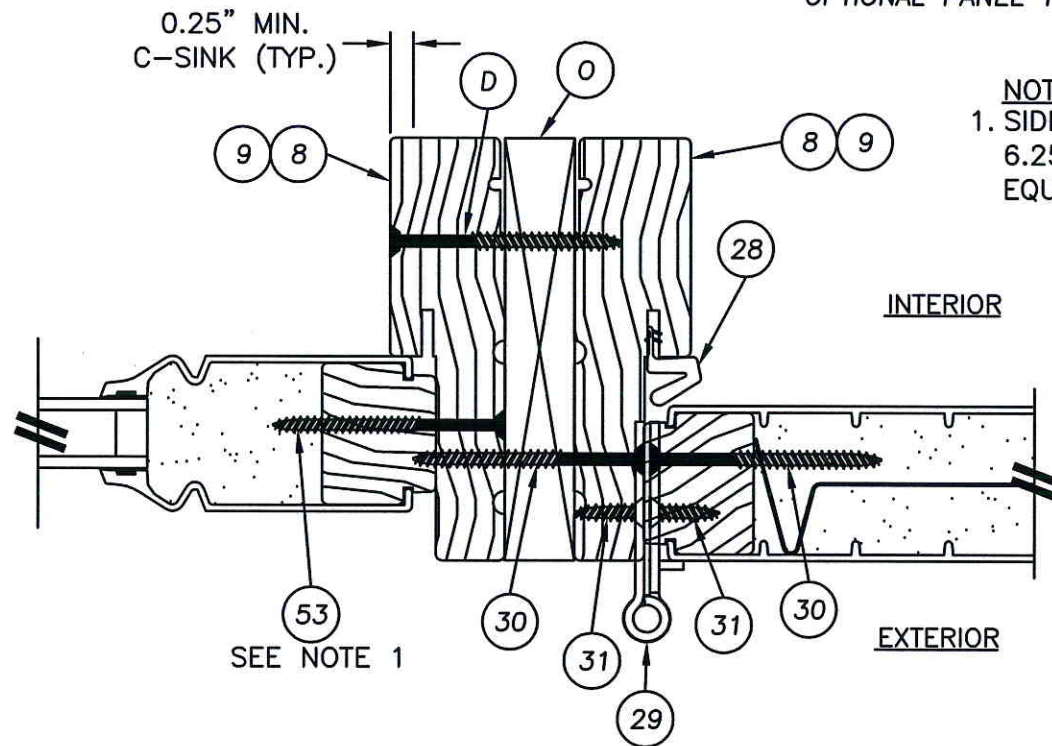


2 HORIZONTAL CROSS SECTION  
 7 OUTSWING SHOWN (INSWING ALSO APPROVED)  
 SMOOTH STAR PANEL SHOWN  
 SEE DOOR PANEL DETAILS FOR  
 OPTIONAL PANEL TYPES

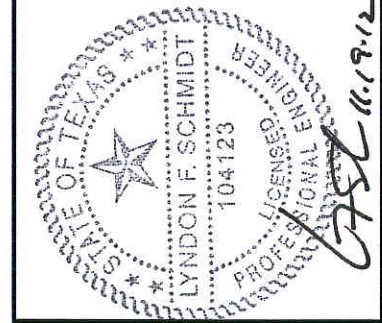


3 HORIZONTAL CROSS SECTION  
 7 OUTSWING SHOWN (INSWING ALSO APPROVED)  
 CLASSIC CRAFT PANEL SHOWN  
 SEE SIDELITE PANEL DETAILS FOR  
 OPTIONAL PANEL TYPES

NOTE:  
 1. SIDELITE ASSEMBLY SCREWS LOCATED  
 6.25" FROM ENDS AND 6 MORE  
 EQUALLY SPACED (8 TOTAL).



1 HORIZONTAL CROSS SECTION  
 7 OUTSWING SHOWN (INSWING ALSO APPROVED)  
 SMOOTH STAR PANEL SHOWN  
 SEE DOOR PANEL DETAILS FOR  
 OPTIONAL PANEL TYPES



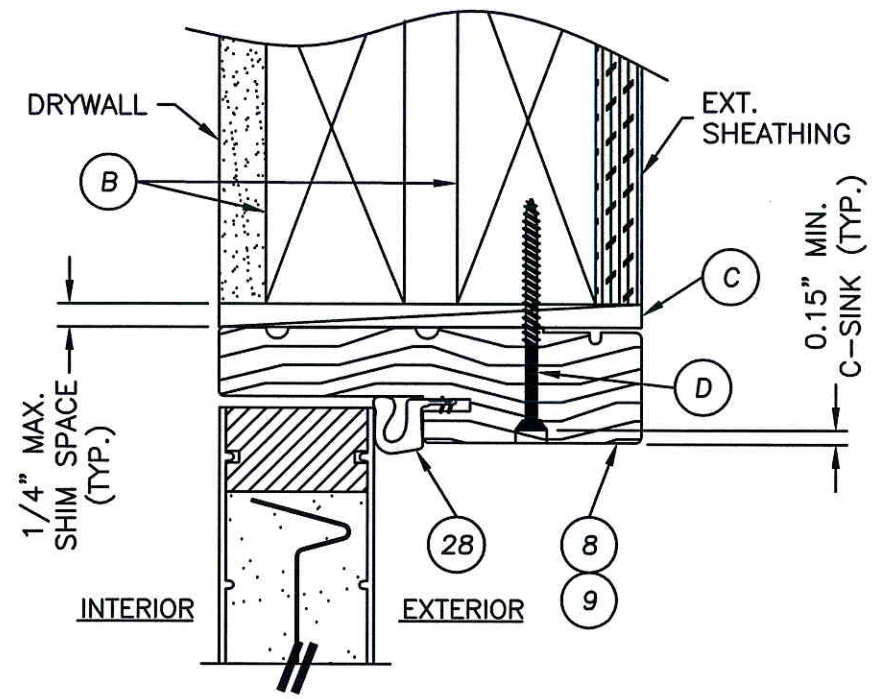
Documents Prepared By: Lyndon F. Schmidt, P.E.  
 TEXAS P.E. #104123  
 RW BUILDING CONSULTANTS, INC.  
 P.O. Box 230 Valrico FL 33595  
 Phone No.: 813.659.9197  
 TEXAS BOARD OF PROFESSIONAL ENGINEERS  
 CERTIFICATE OF REGISTRATION # F-11852

PRODUCT: DOUBLE OPAQUE  
 FIBERGLASS DOOR W/ SIDELITES  
 "IMPACT" INSWING / OUTSWING  
 PART OR ASSEMBLY:  
 HORIZONTAL CROSS SECTIONS

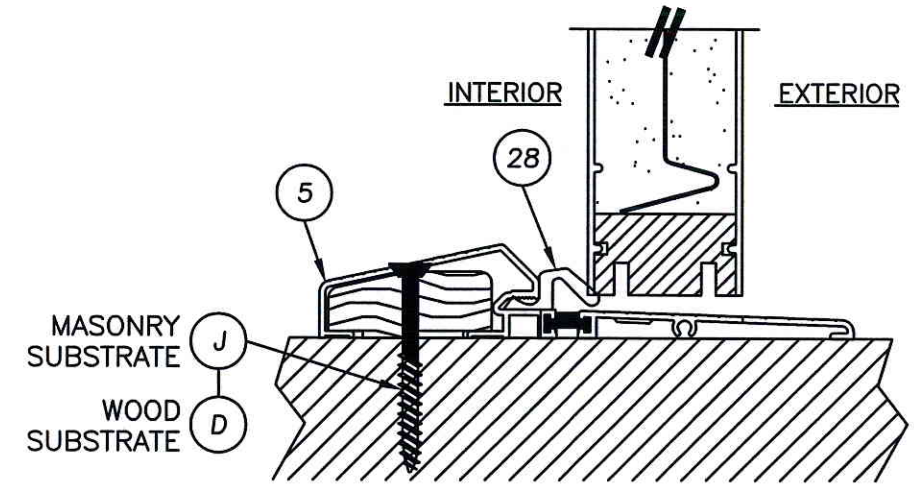
NO.	DATE	BY	REVISIONS

DATE: 7/16/12  
 SCALE: N.T.S.  
 DWG. BY: JK  
 CHK. BY: LFS  
 DRAWING NO.: TX-4175  
 SHEET 7 OF 13

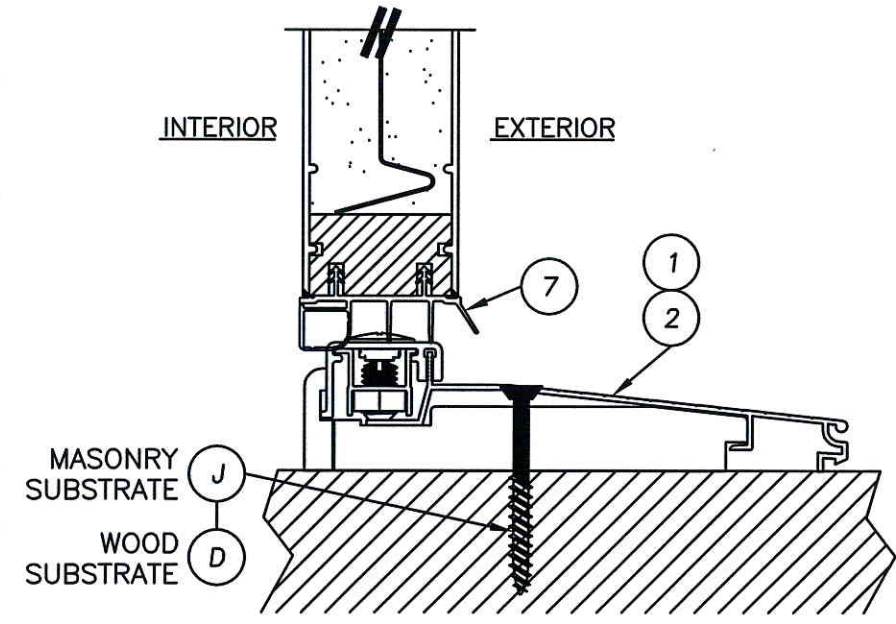
R:\A - Projects\Project Folders\Proj 1101 - 1200\pf1104\1D. RWBC Drawings\TX-4175-83.dwg, OXX08



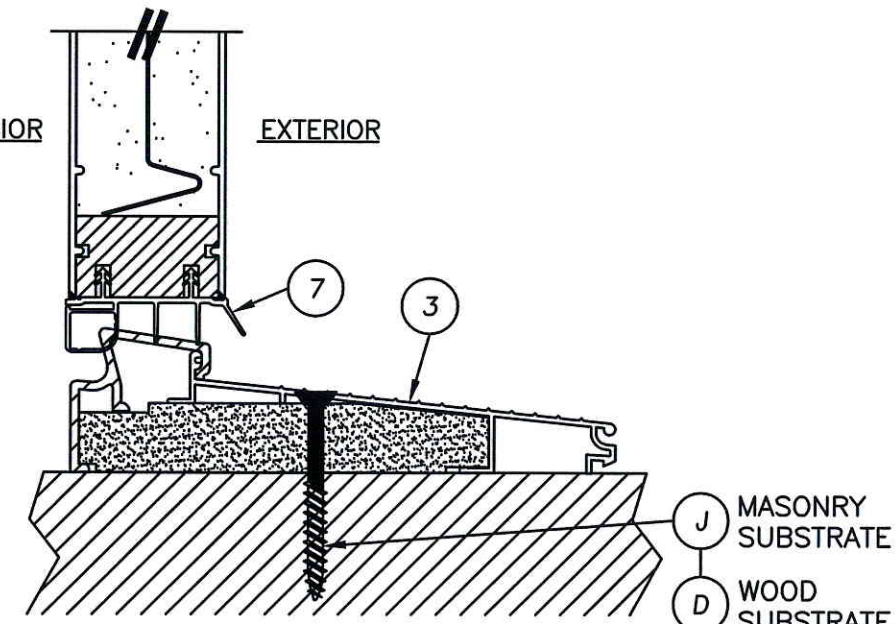
1 VERTICAL CROSS SECTION  
 8 INSWING SHOWN (OUTSWING ALSO APPROVED)  
 SMOOTH STAR PANEL SHOWN  
 SEE DOOR PANEL DETAILS FOR  
 OPTIONAL PANEL TYPES



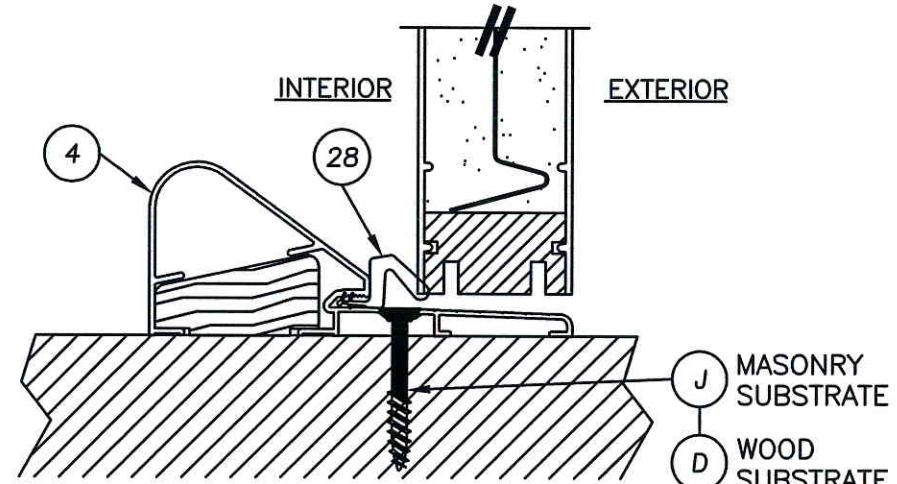
2 VERTICAL CROSS SECTION  
 8 @ THRESHOLD  
 SMOOTH STAR PANEL SHOWN  
 SEE DOOR PANEL DETAILS FOR  
 OPTIONAL PANEL TYPES



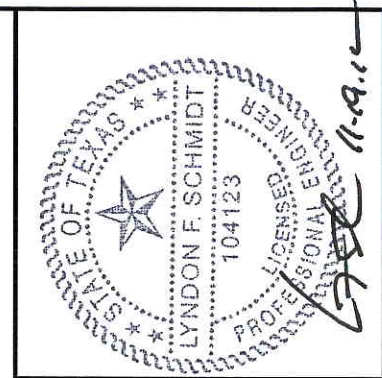
3 VERTICAL CROSS SECTION  
 8 @ THRESHOLD  
 SMOOTH STAR PANEL SHOWN  
 SEE DOOR PANEL DETAILS FOR  
 OPTIONAL PANEL TYPES



4 VERTICAL CROSS SECTION  
 8 @ THRESHOLD  
 SMOOTH STAR PANEL SHOWN  
 SEE DOOR PANEL DETAILS FOR  
 OPTIONAL PANEL TYPES



5 VERTICAL CROSS SECTION  
 8 @ THRESHOLD  
 SMOOTH STAR PANEL SHOWN  
 SEE DOOR PANEL DETAILS FOR  
 OPTIONAL PANEL TYPES



Documents Prepared By: Lyndon F. Schmidt, P.E.  
 TEXAS P.E. #104123  
**RW** BUILDING CONSULTANTS, INC.  
 P.O. Box 230 Valrico FL 33595  
 Phone No.: 813.659.9197  
 TEXAS BOARD OF PROFESSIONAL ENGINEERS  
 CERTIFICATE OF REGISTRATION # F-11852

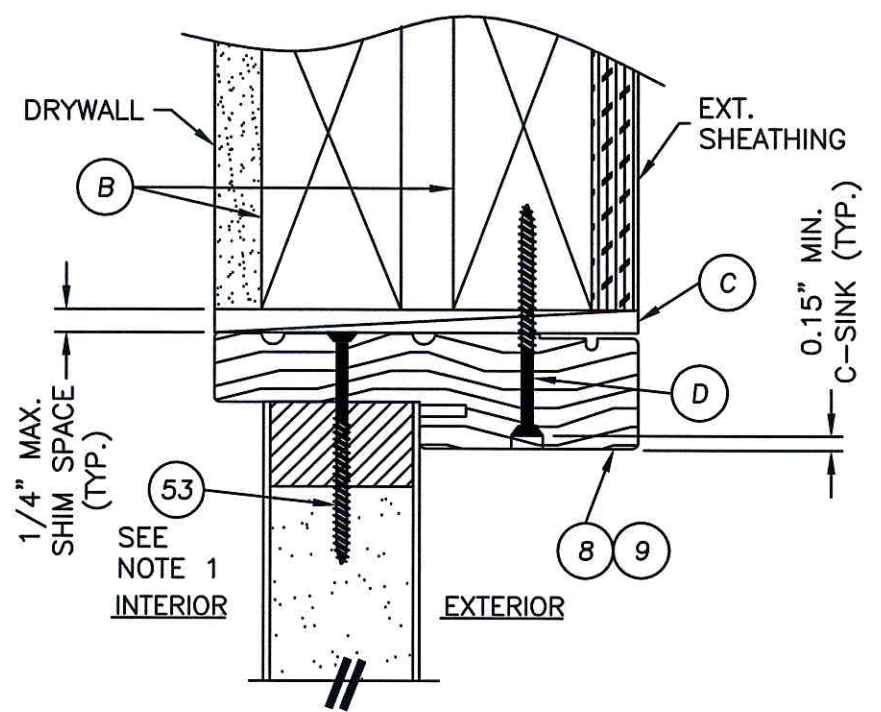
PRODUCT: DOUBLE OPAQUE  
 FIBERGLASS DOOR W/SIDELITES  
 "IMPACT" INSWING / OUTSWING  
 PART OR ASSEMBLY: VERTICAL CROSS SECTIONS

NO.	DATE	BY	REVISIONS

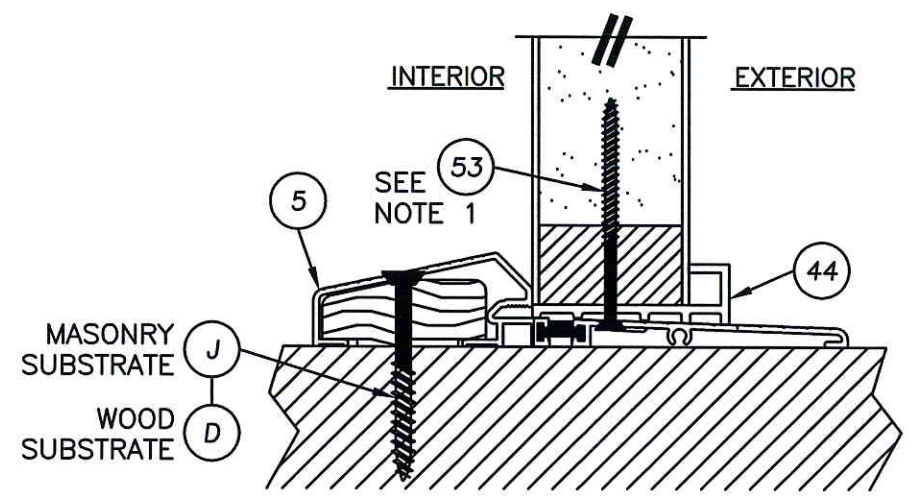
DATE: 7/16/12  
 SCALE: N.T.S.  
 DWG. BY: JK  
 CHK. BY: LFS  
 DRAWING NO.: TX-4175  
 SHEET 8 OF 13

© 2012 R.W. BUILDING CONSULTANTS INC.

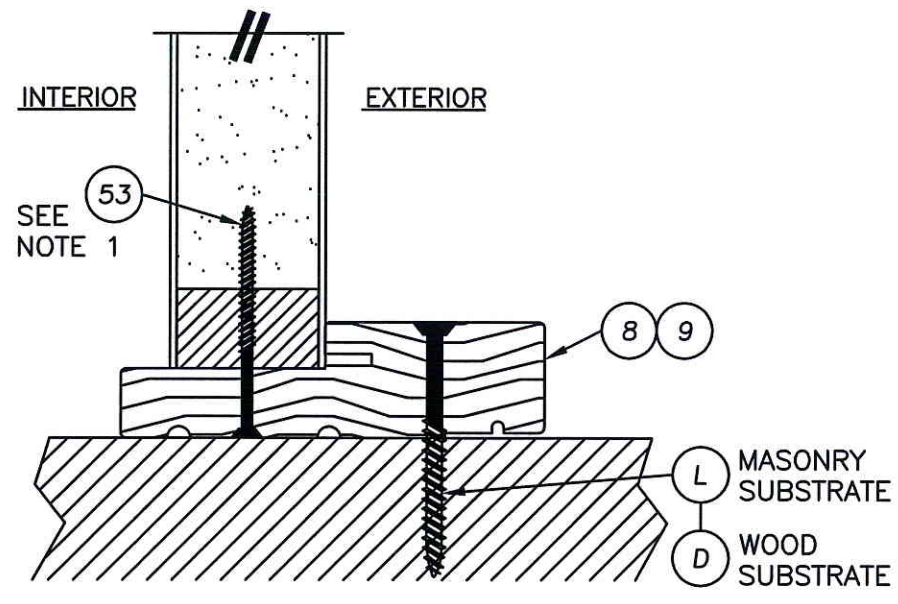




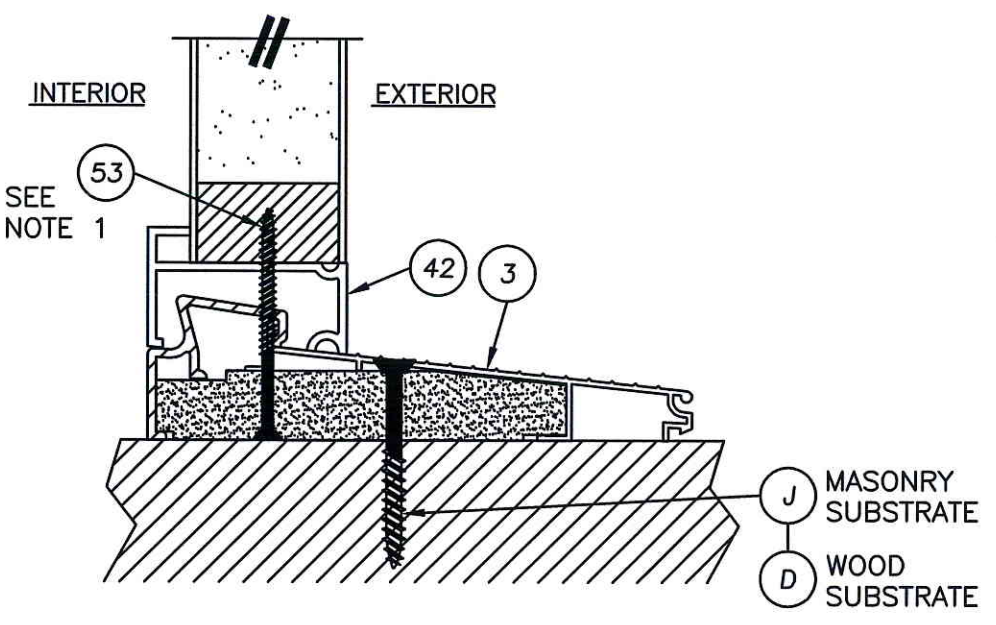
1  
9 VERTICAL CROSS SECTION



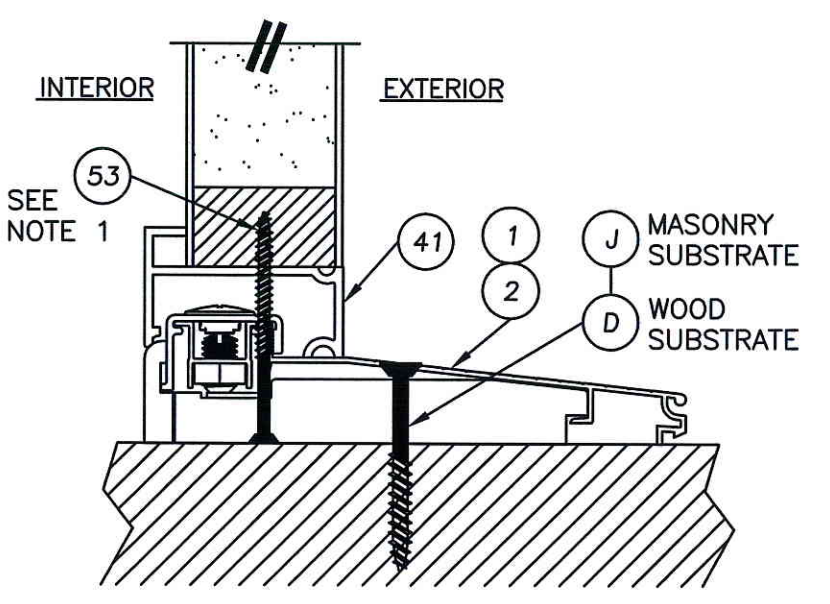
4  
9 VERTICAL CROSS SECTION



3  
9 VERTICAL CROSS SECTION

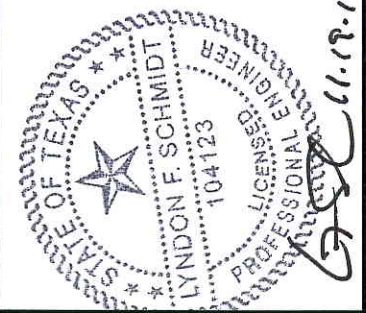


2  
9 VERTICAL CROSS SECTION



5  
9 VERTICAL CROSS SECTION

NOTE:  
1. SIDELITE ASSEMBLY SCREWS LOCATED  
4.25" FROM ENDS (2 TOTAL).



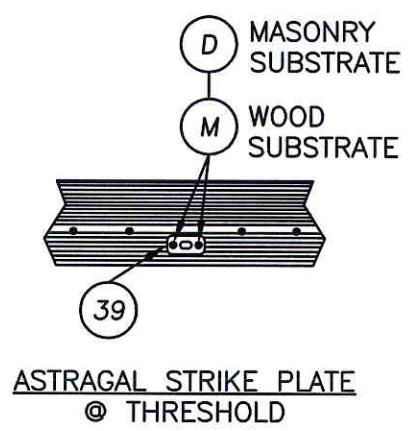
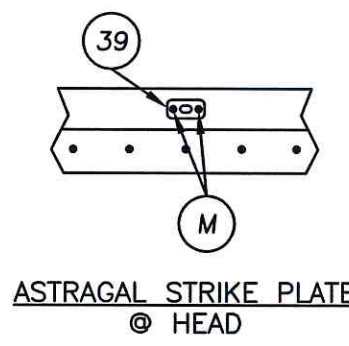
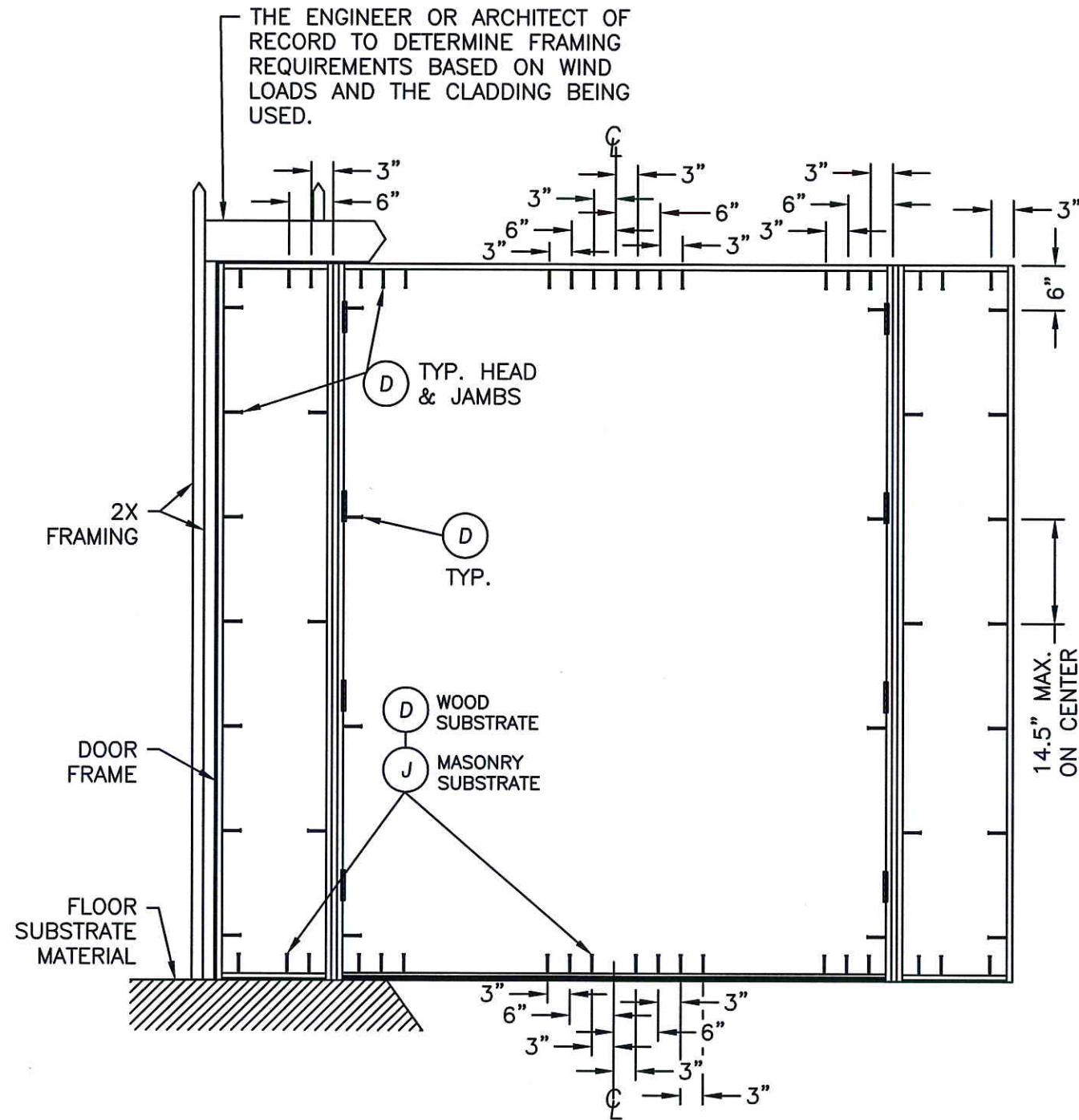
Documents Prepared By: Lyndon F. Schmidt, P.E.  
TEXAS P.E. #104123  
**RW** BUILDING CONSULTANTS, INC.  
P.O. Box 230 Valrico FL 33595  
Phone No.: 813.658.9197  
TEXAS BOARD OF PROFESSIONAL ENGINEERS  
CERTIFICATE OF REGISTRATION # F-11852

PRODUCT: DOUBLE OPAQUE  
FIBERGLASS DOOR W/ SIDELITES  
"IMPACT" INSURING / OUTSWING  
PART OR ASSEMBLY:  
VERTICAL CROSS SECTIONS

NO.	DATE	BY	REVISIONS

DATE: 7/16/12  
SCALE: N.T.S.  
DWG. BY: JK  
CHK. BY: LFS  
DRAWING NO.: TX-4175  
SHEET 9 OF 13

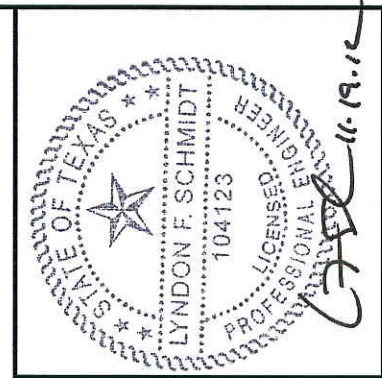
R:\A - Projects\Project Folders\Proj 1101 - 1200\pf1104\1D. RWBC Drawings\TX-4175-83.dwg, OXXO10



**CONCRETE ANCHOR NOTES:**

1. Concrete anchor locations at the corners may be adjusted to maintain the min. edge distance to mortar joints.
2. Concrete anchor locations noted as "MAX. ON CENTER" must be adjusted to maintain the min. edge distance to mortar joints, additional concrete anchors may be required to ensure the "MAX. ON CENTER" dimension are not exceeded.
3. Concrete anchor table:

ANCHOR TYPE	ANCHOR SIZE	MIN. EMBEDMENT	MIN. CLEARANCE TO MASONRY EDGE	MIN. CLEARANCE TO ADJACENT ANCHOR
ITW TAPCON®	3/16" 1/4"	1-3/4"	2-5/8" 2-1/2"	1-1/8" 3"
ELCO ULTRACON®	1/4"	1-3/4"	1"	3"



Documents Prepared By: Lyndon F. Schmidt, P.E.  
TEXAS P.E. #104123

**RW** BUILDING CONSULTANTS, INC.  
P.O. Box 230 Valrico FL 33595  
Phone No.: 813.659.9197

TEXAS BOARD OF PROFESSIONAL ENGINEERS  
CERTIFICATE OF REGISTRATION # F-11852

PRODUCT: DOUBLE OPAQUE  
FIBERGLASS DOOR W/ SIDELITES  
"IMPACT" INSWING / OUTSWING

PART OR ASSEMBLY: FRAME ANCHORING

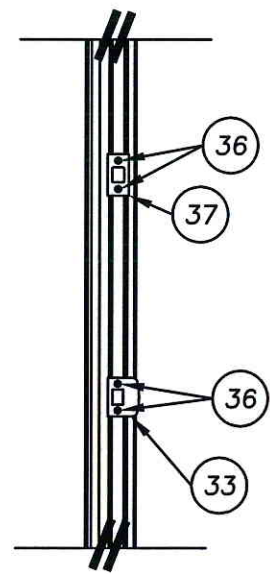
NO.	DATE	BY	REVISIONS

DATE: 7/16/12  
SCALE: N.T.S.  
DWG. BY: JK  
CHK. BY: LFS  
DRAWING NO.: TX-4175  
SHEET 10 OF 13

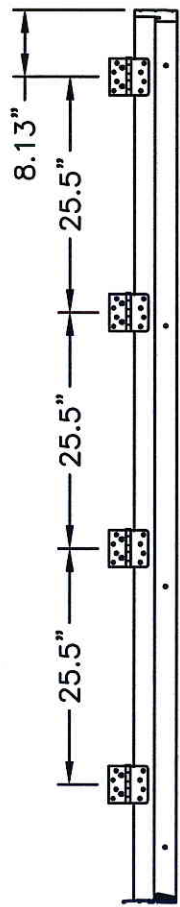
R:\A - Projects\Project Folders\Proj 1101 - 1200\pf1104\ID. RWBC Drawings\TX-4175-83.dwg, OXXO11



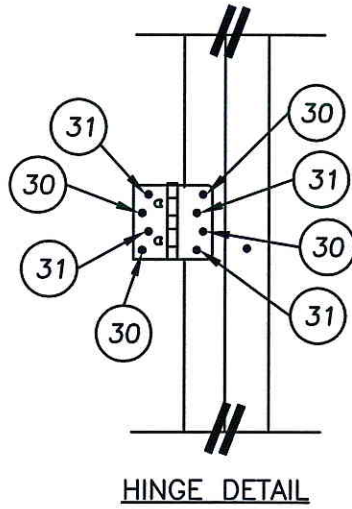
STRIKE PLATE LOCATION



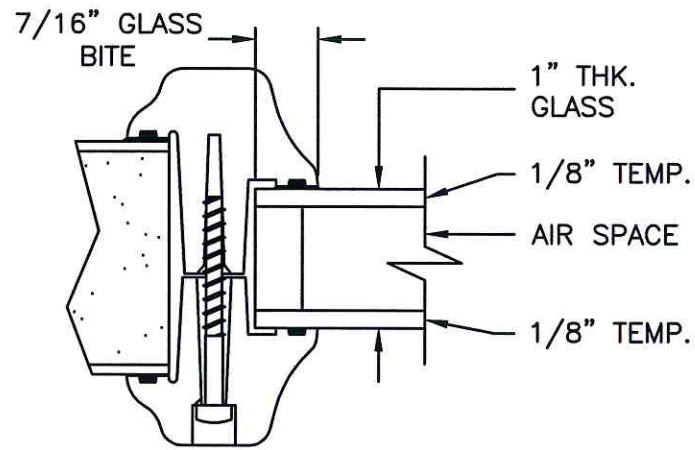
STRIKE PLATE DETAIL



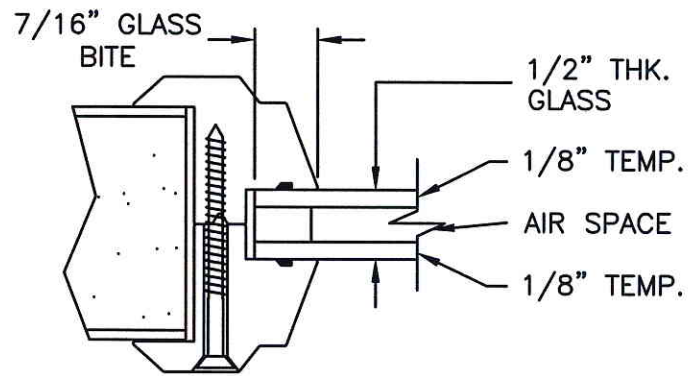
HINGE LOCATION



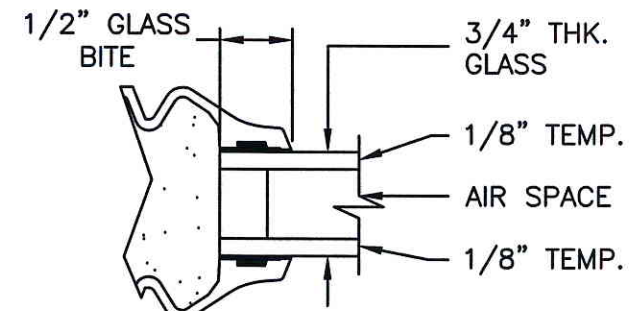
HINGE DETAIL



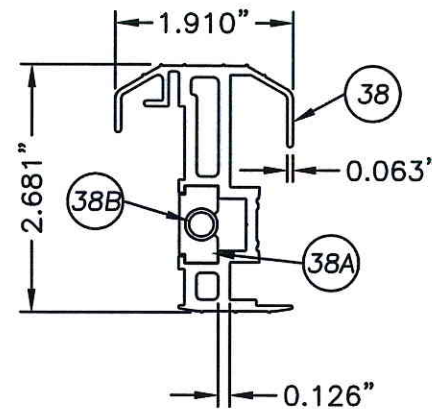
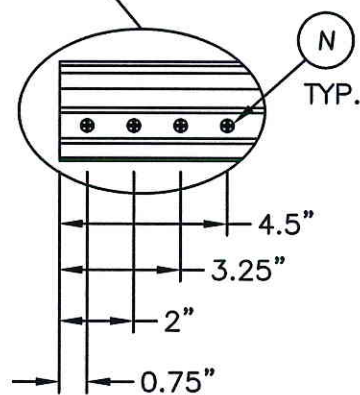
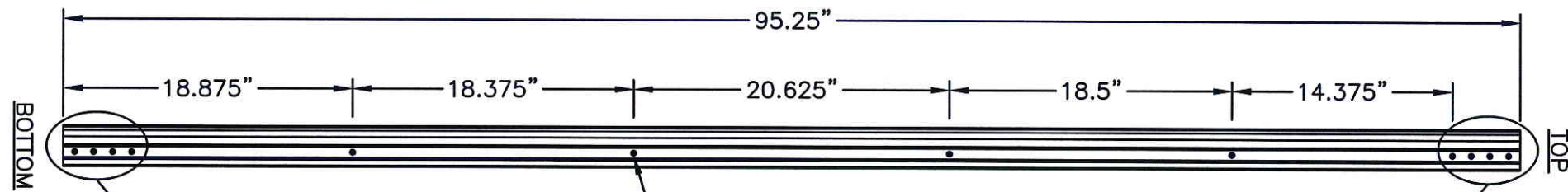
55 GLAZING DETAIL  
1" INSULATED GLASS



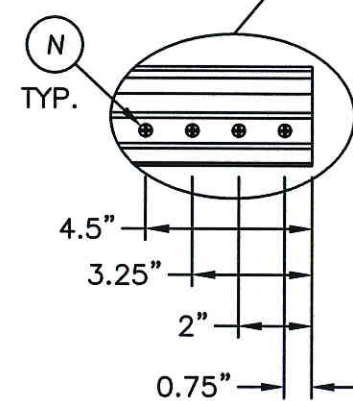
56 GLAZING DETAIL  
1/2" INSULATED GLASS



54 GLAZING DETAIL  
3/4" INSULATED GLASS



38 ASTRAGAL DETAIL



Documents Prepared By: Lyndon F. Schmidt, P.E.  
TEXAS P.E. #104123

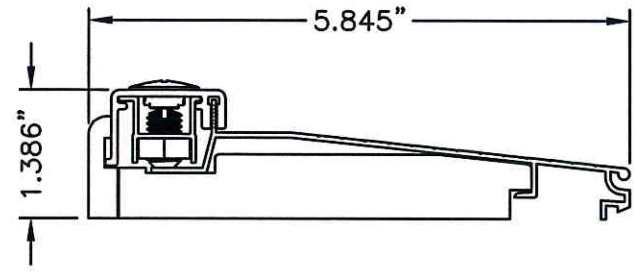
RW BUILDING CONSULTANTS, INC.  
P.O. Box 230 Valrico FL 33595  
Phone No.: 813.659.9197

TEXAS BOARD OF PROFESSIONAL ENGINEERS  
CERTIFICATE OF REGISTRATION # F-11852

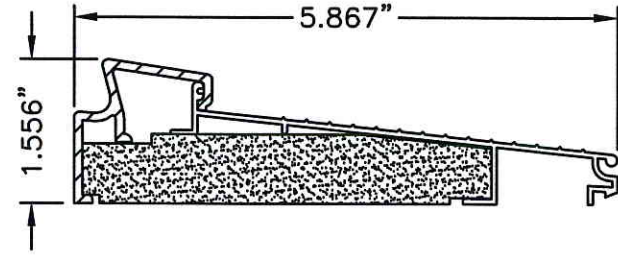
PRODUCT: DOUBLE OPAQUE  
FIBERGLASS DOOR W/SIDELITES  
"IMPACT" INSWING / OUTSWING  
PART OR ASSEMBLY: ASTRAGAL, HARDWARE  
& GLAZING DETAILS

NO.	DATE	BY	REVISIONS

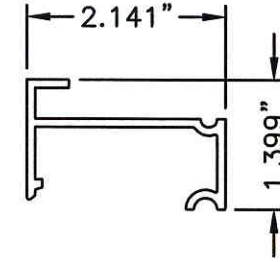
DATE: 7/16/12  
SCALE: N.T.S.  
DWG. BY: JK  
CHK. BY: LFS  
DRAWING NO.: TX-4175  
SHEET 11 OF 13



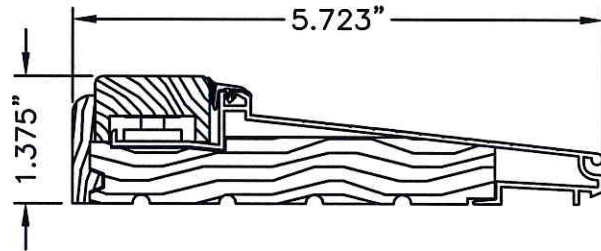
2 THRESHOLD  
INSWING ADJUSTABLE



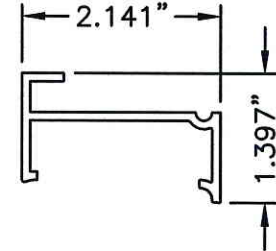
3 THRESHOLD  
INSWING SELF-ADJUST



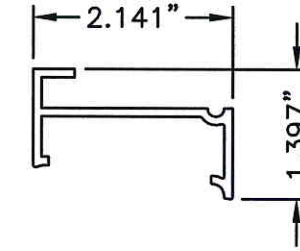
41 INSWING SIDELITE  
SPACER



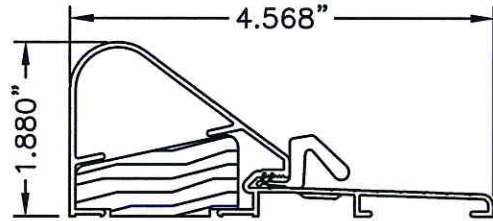
1 THRESHOLD  
INSWING ADJUSTABLE



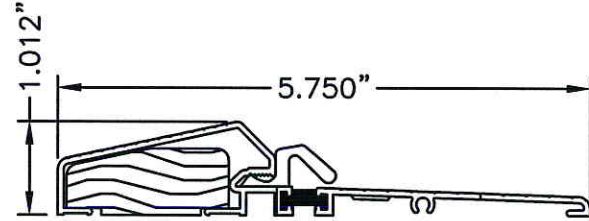
40 INSWING SIDELITE  
SPACER



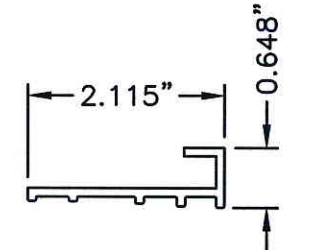
43 INSWING SIDELITE  
SPACER



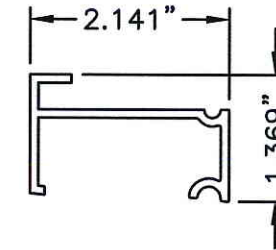
4 THRESHOLD  
OUTSWING COASTAL



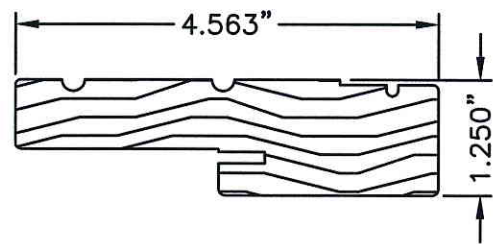
5 THRESHOLD  
OUTSWING STANDARD



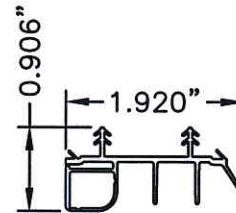
44 OUTSWING SIDELITE  
SPACER



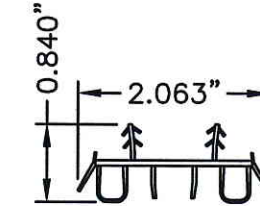
42 INSWING SIDELITE  
SPACER



9 8 JAMB



7 SWEEP



52 SWEEP



Documents Prepared By: Lyndon F. Schmidt, P.E.  
TEXAS P.E. #104123

**RW** BUILDING CONSULTANTS, INC.  
P.O. Box 230 Valrico FL 33595  
Phone No.: 813.659.9197

TEXAS BOARD OF PROFESSIONAL ENGINEERS  
CERTIFICATE OF REGISTRATION # F-11852

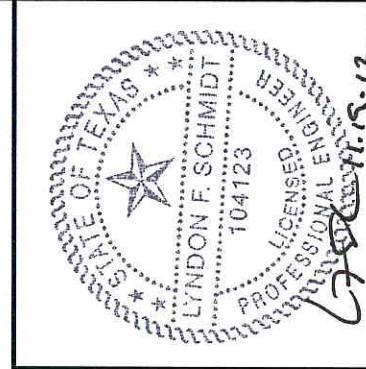
PRODUCT: DOUBLE OPAQUE  
FIBERGLASS DOOR W/ SIDELITES  
"IMPACT" INSWING / OUTSWING  
PART OR ASSEMBLY: COMPONENTS

NO.	DATE	REVISIONS	BY

DATE: 7/16/12  
SCALE: N.T.S.  
DWG. BY: JK  
CHK. BY: LFS  
DRAWING NO.: TX-4175  
SHEET 12 OF 13

BILL OF MATERIALS		
ITEM	DESCRIPTION	MATERIAL
B	2X FRAMING (G >= 0.42)	WOOD
C	1/4" MAX. SHIM SPACE	WOOD
D	#10 X 2-1/2" PFH WOOD SCREW	STEEL
G	KWIKSET 200 SERIES PASSAGE LOCK	STEEL
H	KWIKSET 600 SERIES DEADBOLT	STEEL
J	1/4" ELCO OR ITW CONCRETE SCREW (1-3/4" MIN. EMB.)	STEEL
K	3/16" ITW CONCRETE SCREW (1-3/4" MIN. EMB.)	STEEL
M	#8 X 3" PFH SCREW (STRIKE PLATES @ HEAD & SILL)	STEEL
N	#10 X 1-1/2" PPH SCREW ASTRAGAL TO PANEL	STEEL
O	1X MULLION (G >= 0.42)	WOOD
1	INSWING ADJUSTABLE THRESHOLD (IS300AJ)	ALUM./WOOD
2	INSWING THRESHOLD (IS300HP5)	ALUM./COMP.
3	INSWING SELF ADJUST THERMAL BREAK THRESHOLD (ISP30M)	ALUM./COMP.
4	OUTSWING COASTAL THRESHOLD	ALUM./WOOD
5	OUTSWING STANDARD THRESHOLD	ALUM./WOOD
7	DOOR BOTTOM SWEEP	VINYL
8	JAMB (OAK)	WOOD
9	JAMB (PINE)	WOOD
10	HINGE STILE (SMOOTH STAR)	WOOD
11	LOCK STILE (SMOOTH STAR)	LVL/WOOD
12	TOP RAIL (SMOOTH STAR)	PVC
13	BOTTOM RAIL (SMOOTH STAR)	PVC
14	PANEL REINFORCEMENT 0.023" THK. (SMOOTH STAR)	STEEL
15	DOOR SKIN 0.070" THK. (SMOOTH STAR) Fy = 6,000 PSI MIN.	FIBERGLASS
16	HINGE STILE (CLASSIC CRAFT)	WOOD/LVL
17	LOCK STILE (CLASSIC CRAFT)	WOOD/LVL
18	TOP RAIL (CLASSIC CRAFT)	PVC
19	BOTTOM RAIL (CLASSIC CRAFT)	PVC
20	PANEL REINFORCEMENT 0.023" THK. (CLASSIC CRAFT)	STEEL
21	DOOR SKIN 0.125" THK. (CLASSIC CRAFT) Fy = 6,000 PSI MIN.	FIBERGLASS
22	LOCK & HINGE STILE (CLASSIC CRAFT RUSTIC)	WOOD/LVL
23	TOP RAIL (CLASSIC CRAFT RUSTIC)	WOOD
24	BOTTOM RAIL (CLASSIC CRAFT RUSTIC)	PVC
25	PANEL REINFORCEMENT 0.023" THK. (CLASSIC CRAFT RUSTIC)	STEEL
26	DOOR SKIN 0.125" THK. (CC RUSTIC) Fy = 6,000 PSI MIN.	FIBERGLASS
27	FOAM CORE	POLYURETHANE
28	WEATHERSTRIP	FOAM
29	HINGE	STEEL
30	#10 X 2-1/2" PFH SCREW	STEEL
31	#10 X 3/4" PFH SCREW	STEEL
32	#9 X 3" PFH WOOD SCREW	STEEL
33	LATCH STRIKE PLATE	STEEL
36	#8 X 3" PFH SCREW	STEEL
37	DEADBOLT STRIKE PLATE	STEEL

BILL OF MATERIALS			
ITEM	DESCRIPTION		MATERIAL
38	ASTRAGAL		ALUMINUM
38A	ASTRAGAL FLUSH BOLT		STEEL
38B	ASTRAGAL FLUSH BOLT RETAINER		ALUMINUM
39	ASTRAGAL STRIKE PLATE @ HEAD		STEEL
40	INSWING SIDELITE SPACER FOR ADJUSTABLE THRESHOLD (DB14AJA)		PVC
41	INSWING SIDELITE SPACER FOR HP THRESHOLD (DB14HPA)		PVC
42	INSWING SIDELITE SPACER FOR SELF ADJUST THRESHOLD (DB14)		PVC
43	INSWING SIDELITE SPACER		PVC
44	OUTSWING SIDELITE SPACER		PVC
45	SIDELITE TOP RAIL		PVC
46	SIDELITE SKIN 0.070" THK. (SMOOTH STAR) Fy = 6,000 PSI MIN.		FIBERGLASS
47	SIDELITE SKIN 0.090" THK. (CLASSIC CRAFT) Fy = 6,000 PSI MIN.		FIBERGLASS
48	SIDELITE SKIN 0.070" THK. (FIBER CLASSIC) Fy = 6,000 PSI MIN.		FIBERGLASS
49	#6 X 1-3/4" PFH SCREW (LITE FRAME)		STEEL
50	LITE FRAME FIBER CLASSIC		PVC
51	LITE FRAME SMOOTH STAR		PVC
52	DOOR BOTTOM SWEEP		VINYL
53	#9 X 2-1/2" PFH WOOD SCREW (JAMB TO SIDELITE)		STEEL
54	3/4" INSULATED GLASS 1/8" TEMPERED - AIR - 1/8" TEMPERED		GLASS
55	1" INSULATED GLASS 1/8" TEMPERED - AIR - 1/8" TEMPERED		GLASS
56	1/2" INSULATED GLASS 1/8" TEMPERED - AIR - 1/8" TEMPERED		GLASS
57	GLAZING COMPOUND		SILICONE
58	SEALANT		SILICONE
59	#9 X 1" PPH SCREW (LITE FRAME)		STEEL
60	SIDELITE STILE		WOOD
61	SIDELITE BOTTOM RAIL		PVC
62	HINGE STILE (FIBER CLASSIC)		WOOD
63	LOCK STILE (FIBER CLASSIC)		LVL/WOOD
64	TOP RAIL (FIBER CLASSIC)		PVC
65	BOTTOM RAIL (FIBER CLASSIC)		PVC
66	PANEL REINFORCEMENT 0.023" THK. (FIBER CLASSIC)		STEEL
67	DOOR SKIN 0.070" THK. (FIBER CLASSIC) Fy = 6,000 PSI MIN.		FIBERGLASS



Documents Prepared By: Lyndon F. Schmidt, P.E.  
TEXAS P.E. #104123

**RW** BUILDING CONSULTANTS, INC.  
P.O. Box 230 Valrico FL 33596  
Phone No.: 813.659.9197

TEXAS BOARD OF PROFESSIONAL ENGINEERS  
CERTIFICATE OF REGISTRATION # F-11852

PRODUCT:	DOUBLE OPAQUE	BILL OF MATERIALS	REVISIONS
	FIBERGLASS DOOR W/ SIDELITES "IMPACT" INSWING / OUTSWING		
PART OR ASSEMBLY:			
		NO.	DATE
		BY	
DATE: 7/16/12			
SCALE: N.T.S.			
DWG. BY: JK			
CHK. BY: LFS			
DRAWING NO.: TX-4175			
SHEET 13 OF 13			