

THERMATRU®

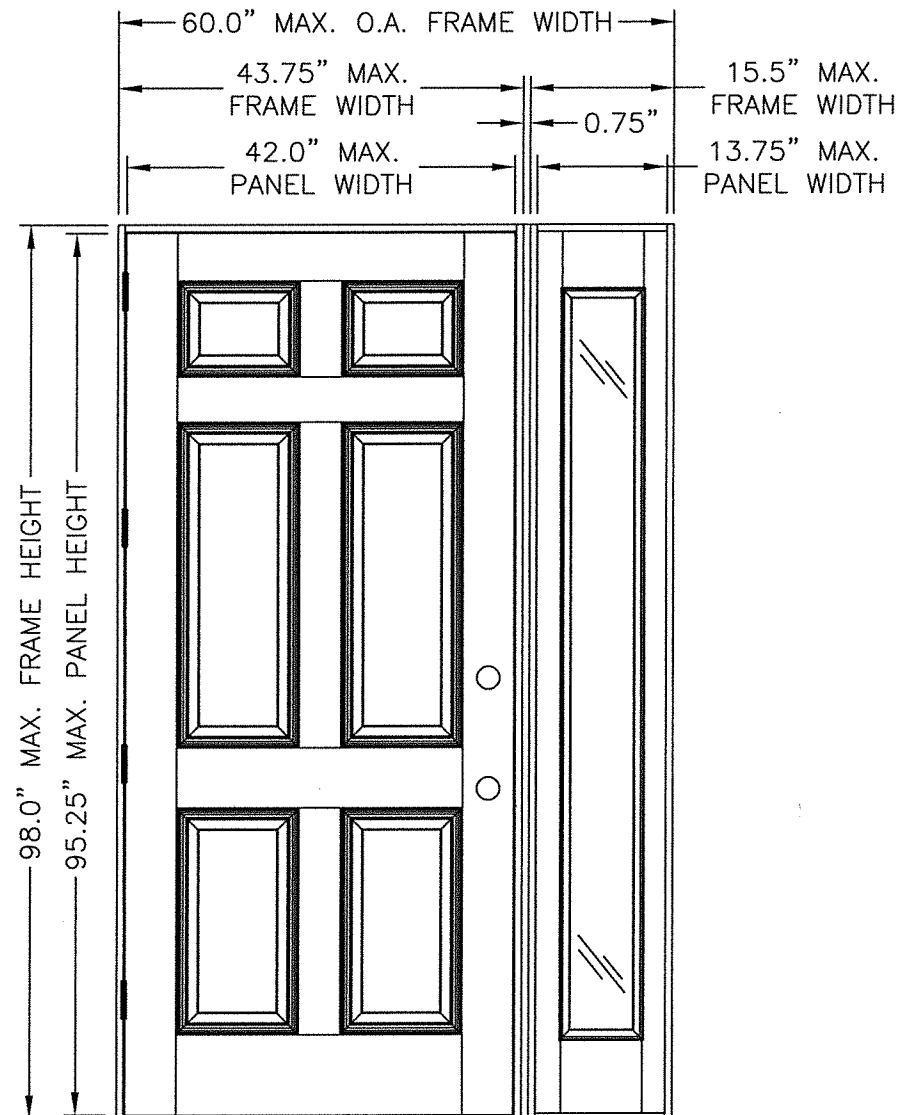
118 INDUSTRIAL DR., EDGERTON, OH 43517

CLASSIC-CRAFT & CLASSIC-CRAFT RUSTIC SINGLE "IMPACT" DOOR WITH "NON-IMPACT" SIDELITE IN SWING / OUTSWING

EVALUATED FOR USE IN THE STATE OF TEXAS

The Fiberglass Door system described herein complies with the 2018 International Residential Code (IRC), Sections R301 & R609 and the 2018 International Building Code (IBC), Sections 1404.13, 1609, 1709.5, 2403 and 2404 subject to the following conditions:

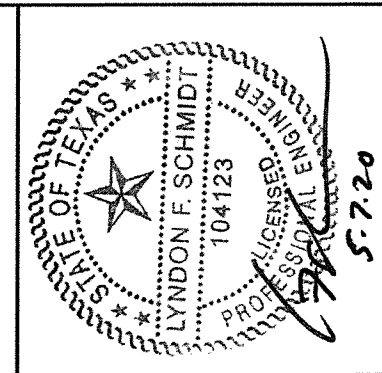
1. Anchors shall be as listed and spaced as shown in the details. Anchor embedment to base material shall be beyond wall dressing or stucco.
2. When used in areas requiring wind-borne debris protection, the opaque door does not require impact protection and meets missile level "D" as defined in ASTM E 1996. The sidelites are required to be protected with an impact resistant covering that complies with Section R301.2.1.2 of the IRC and Section 1609.1.2 of the IBC.
3. Allowable design pressure requirements must be equal to or less than the design pressure rating shown in the design pressure chart, sheet 1 of this drawing.
4. Conditions not covered by this drawing are subject to further engineering analysis.



"CLASSIC-CRAFT" & "CLASSIC-CRAFT RUSTIC"

DOOR TYPE	SWING	OVERALL FRAME DIMENSION	OVERALL SIDELITE D.L.O. DIMENSION	DESIGN PRESSURE	
				POSITIVE	NEGATIVE
CLASSIC-CRAFT	OUTSWING	60.0" X 96.5"	6.75"	+65.0	-65.0
	IN SWING	60.0" X 98.0"		+65.0	-65.0
CLASSIC-CRAFT RUSTIC	OUTSWING	60.0" X 96.5"	79.0"	+65.0	-65.0
	IN SWING	60.0" X 98.0"		+65.0	-65.0

TABLE OF CONTENTS	
SHEET #	DESCRIPTION
1	TYPICAL ELEVATIONS, DESIGN PRESSURES & GENERAL NOTES
2	DOOR PANEL DETAILS (CLASSIC-CRAFT)
3	DOOR PANEL DETAILS (CLASSIC-CRAFT RUSTIC)
4	SIDELITE PANEL DETAILS
5	HORIZONTAL CROSS SECTIONS & GLAZING DETAILS
6	VERTICAL CROSS SECTIONS
7	VERTICAL CROSS SECTIONS
8	FRAME ANCHORING
9	COMPONENTS
10	BILL OF MATERIALS



Documents Prepared By: Lyndon F. Schmidt, P.E.
TEXAS P.E. #104123

RW BUILDING CONSULTANTS, INC.
P.O. Box 230 Valrico FL 33595
Phone No.: 813.659.9197
TEXAS BOARD OF PROFESSIONAL ENGINEERS
CERTIFICATE OF REGISTRATION # F-11852

PRODUCT: SINGLE OPAQUE FIBERGLASS DOOR W/ SIDELITE "IMPACT" IN SWING / OUTSWING
PART OR ASSEMBLY:
TYPICAL ELEVATIONS, DESIGN PRESSURES & GENERAL NOTES

NO.	DATE	DESCRIPTION	BY
1	5/07/20	UPDATE TO 2018 IBC/IRC CODE	LFS

DATE: 7/16/12

SCALE: N.T.S.

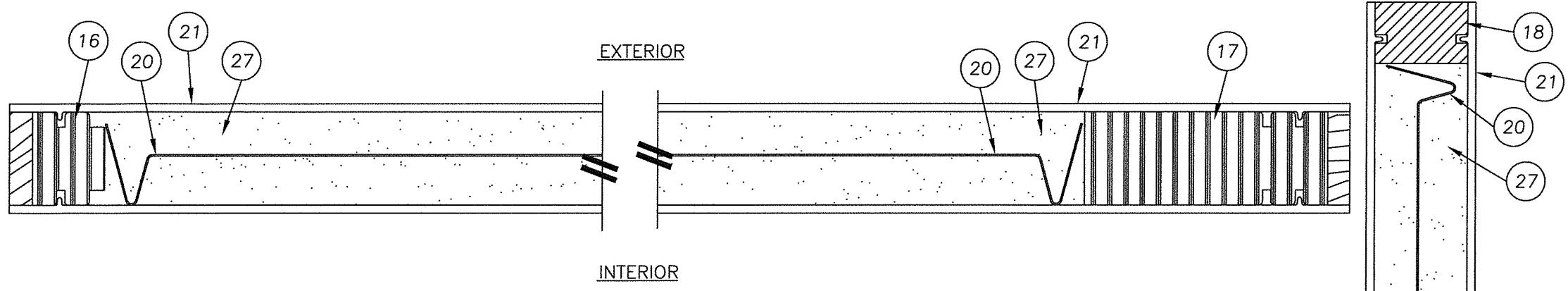
DWG. BY: JK

CHK. BY: LFS

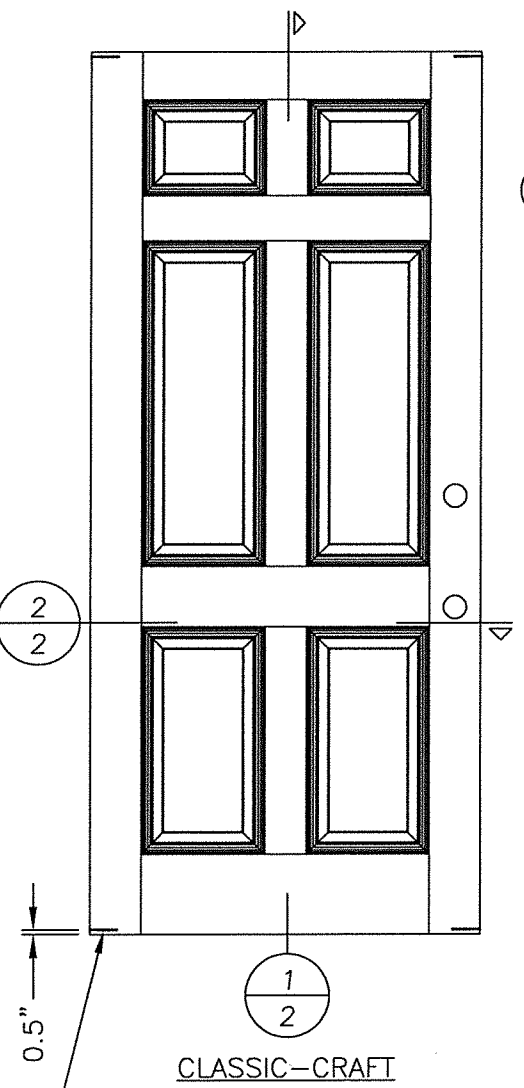
DRAWING NO.: TX-4181

SHEET 1 OF 10

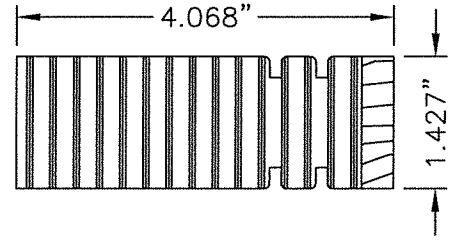
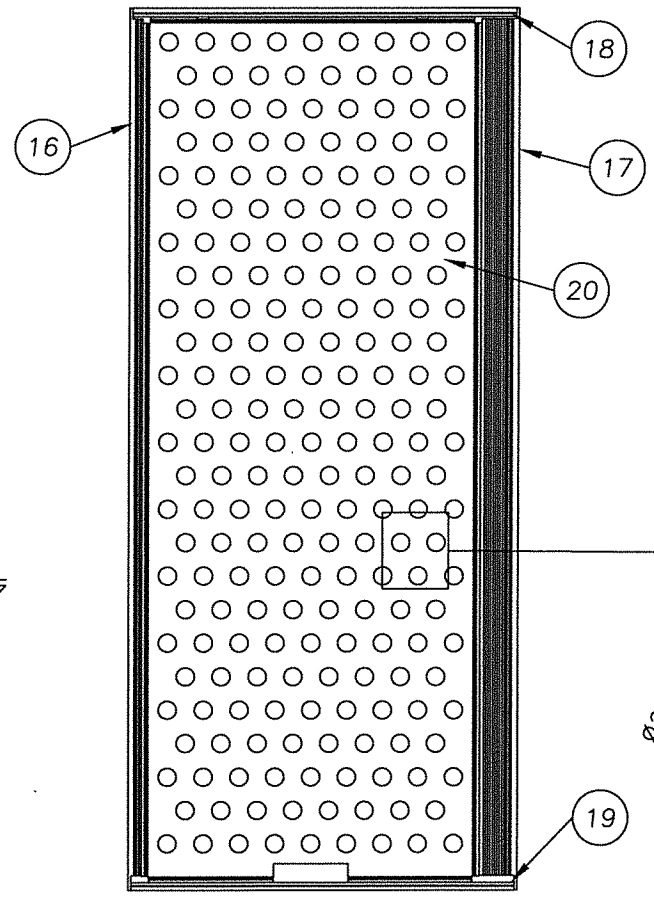
R:\Clients\Therma Tru PERMANENT\B - Texas Dept of Ins\TDDI - DR 601 - 80 Opaque FG Imp IS - OS Sgls Dbls w-wo Imp SLC - Drawings\Current\TX-4175-83.dwg, FOX2



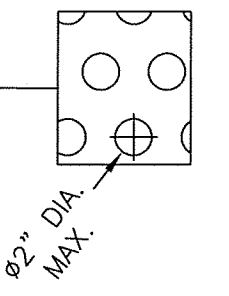
2 HORIZONTAL CROSS SECTION
2 CLASSIC-CRAFT



1/2
CLASSIC-CRAFT
32 TYP. 4 CORNERS OF PANEL

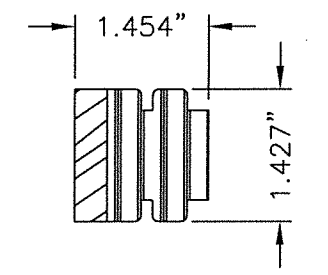
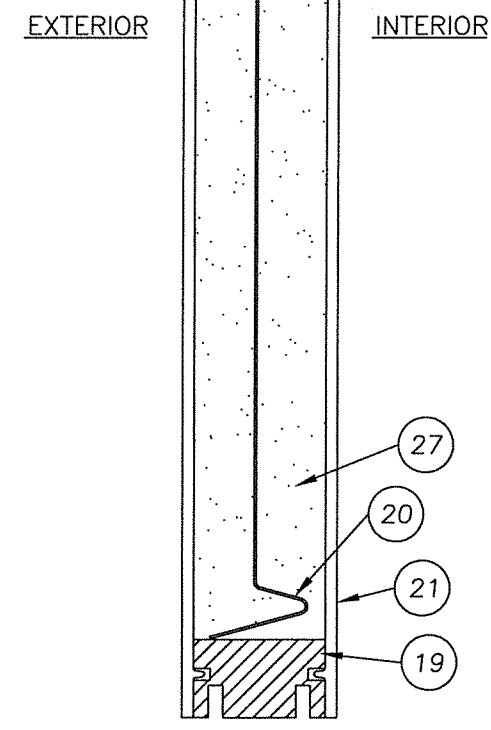


17 LOCK STILE
CLASSIC-CRAFT

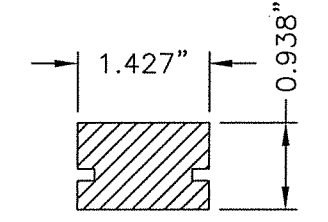


19 28.86% OPEN AREA MAX.

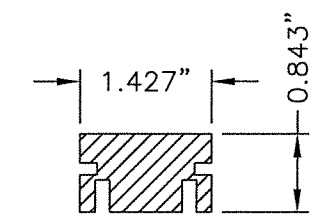
1 VERTICAL CROSS SECTION
2 CLASSIC-CRAFT



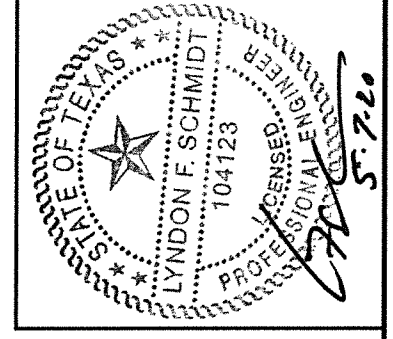
16 HINGE STILE
CLASSIC-CRAFT



18 TOP RAIL
CLASSIC-CRAFT



19 BOTTOM RAIL
CLASSIC-CRAFT

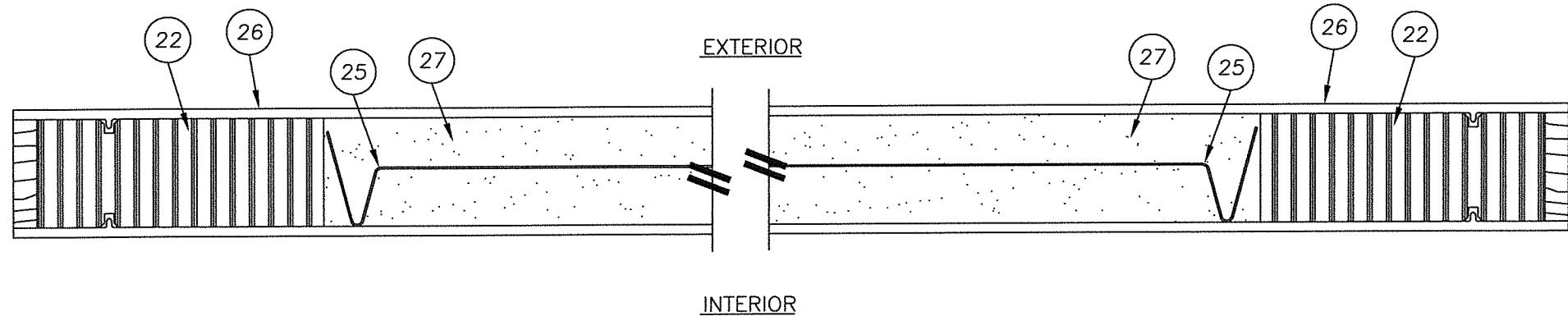


Documents Prepared By: Lyndon F. Schmidt, P.E.
TEXAS P.E. #104123
RW BUILDING CONSULTANTS, INC.
P.O. Box 230 Valrico FL 33595
Phone No.: 813.659.9197
TEXAS BOARD OF PROFESSIONAL ENGINEERS
CERTIFICATE OF REGISTRATION # F-11852

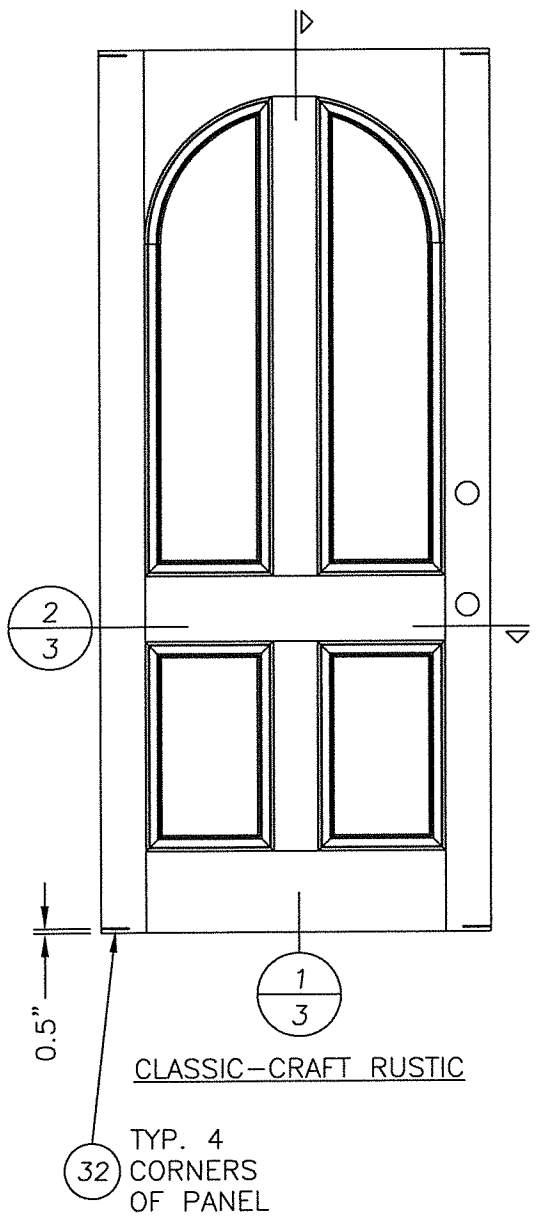
PRODUCT: SINGLE OPAQUE FIBERGLASS DOOR W/SIDELITE "IMPACT" INSWING / OUTSWING PART OR ASSEMBLY: DOOR PANEL DETAILS (CLASSIC-CRAFT)

NO.	DATE	REVISIONS
1	5/07/20	UPDATE TO 2018 IBC/IRC CODE
		LFS
		BY

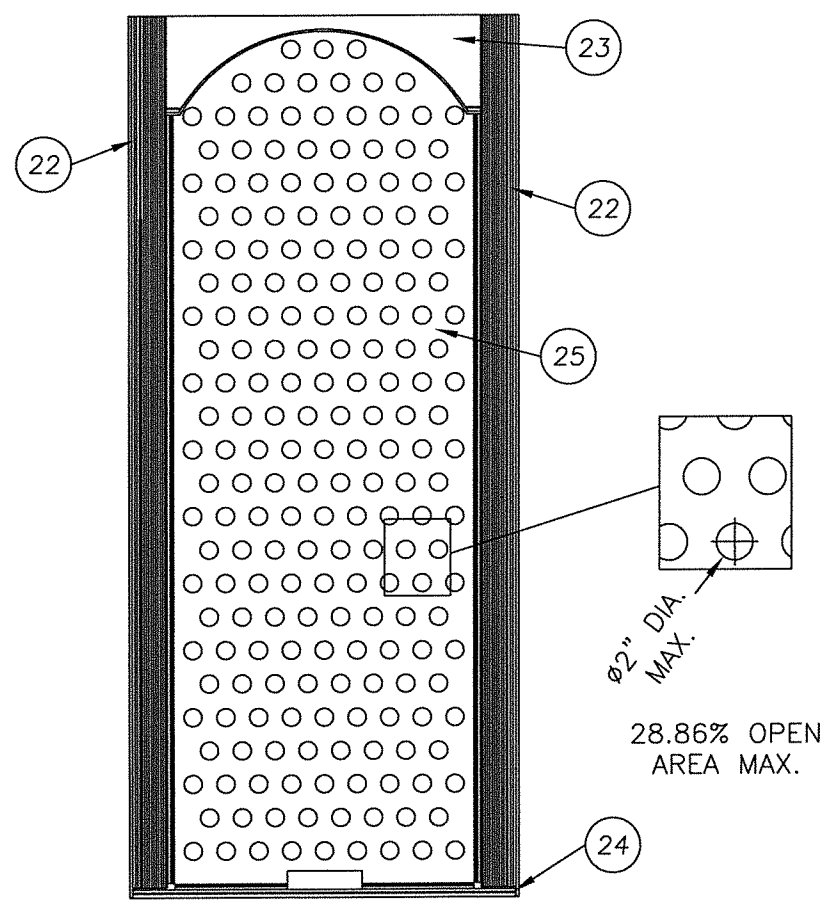
DATE: 7/16/12
SCALE: N.T.S.
DWG. BY: JK
CHK. BY: LFS
DRAWING NO.: TX-4181
SHEET 2 OF 10



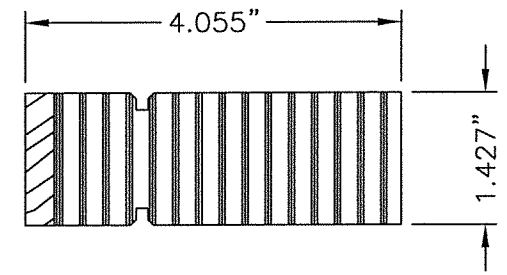
2 HORIZONTAL CROSS SECTION
3 CLASSIC-CRAFT RUSTIC



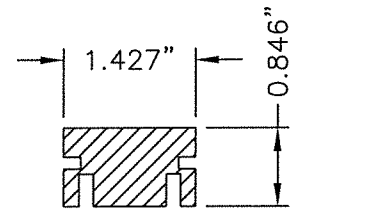
1 VERTICAL CROSS SECTION
3 CLASSIC-CRAFT RUSTIC



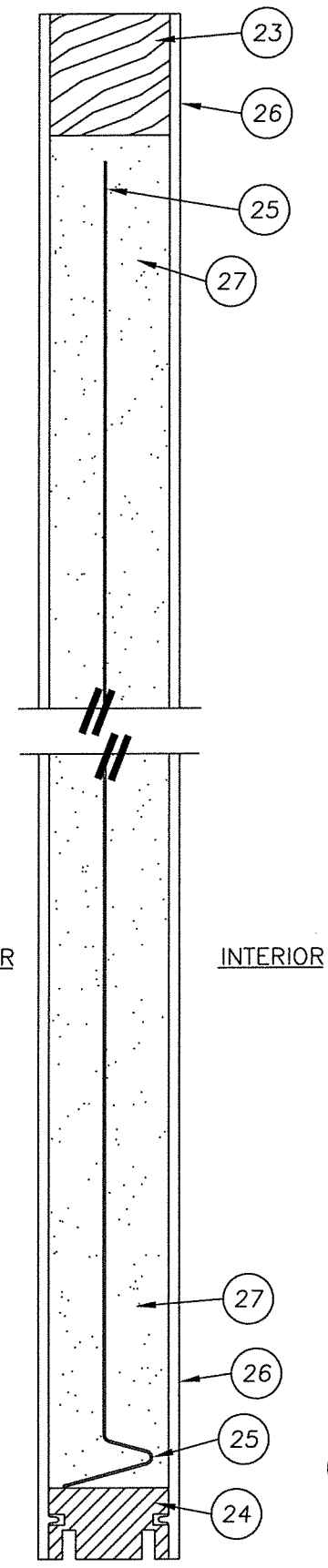
ø2" DIA.
MAX.
28.86% OPEN
AREA MAX.



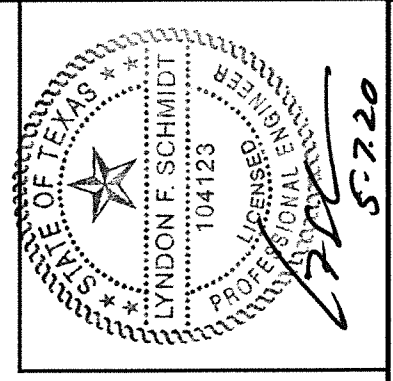
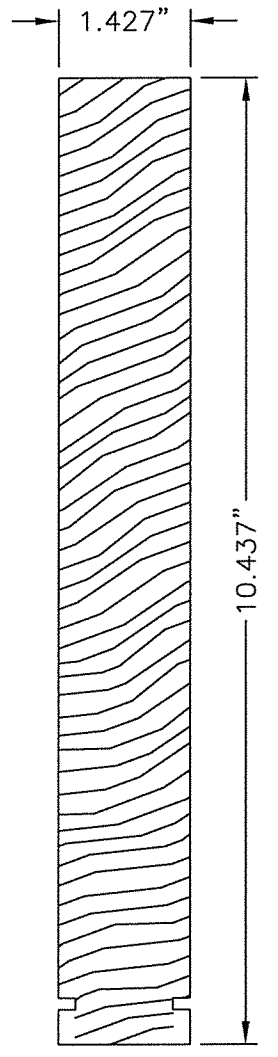
22 LOCK & HINGE STILE
CLASSIC-CRAFT RUSTIC



24 BOTTOM RAIL
CLASSIC-CRAFT RUSTIC



23 TOP RAIL
CLASSIC-CRAFT RUSTIC



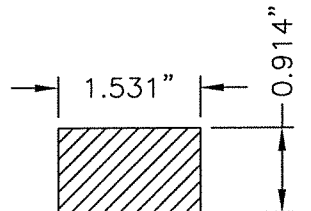
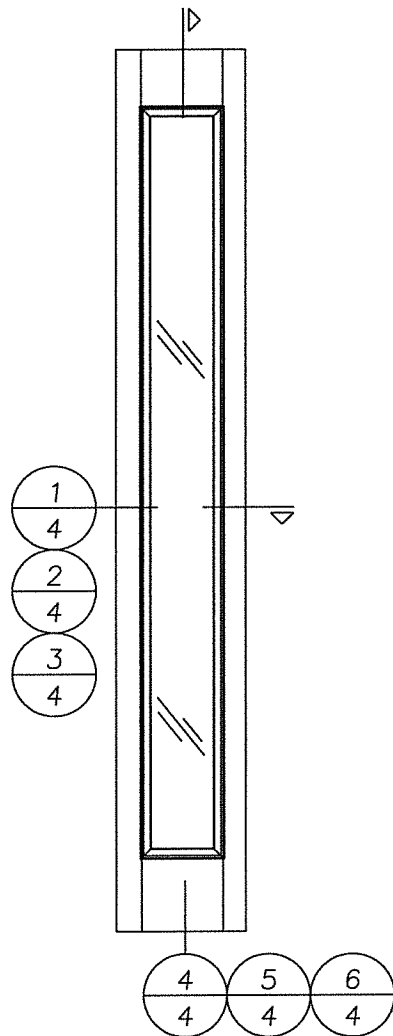
Documents Prepared By: Lyndon F. Schmidt, P.E.
TEXAS P.E. #104123
RW BUILDING CONSULTANTS, INC.
P.O. Box 230 Valrico FL 33595
Phone No.: 813.659.9197
TEXAS BOARD OF PROFESSIONAL ENGINEERS
CERTIFICATE OF REGISTRATION # F-11852

PRODUCT: SINGLE OPAQUE
FIBERGLASS DOOR W/SIDELITE
"IMPACT" INSWING / OUTSWING
PART OR ASSEMBLY:
DOOR PANEL DETAILS
(CLASSIC-CRAFT RUSTIC)

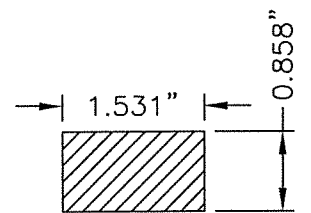
REVISIONS	
NO.	DATE
1	5/07/20
	DATE
	BY

DATE: 7/16/12
SCALE: N.T.S.
DWG. BY: JK
CHK. BY: LFS
DRAWING NO.: TX-4181
SHEET 3 OF 10

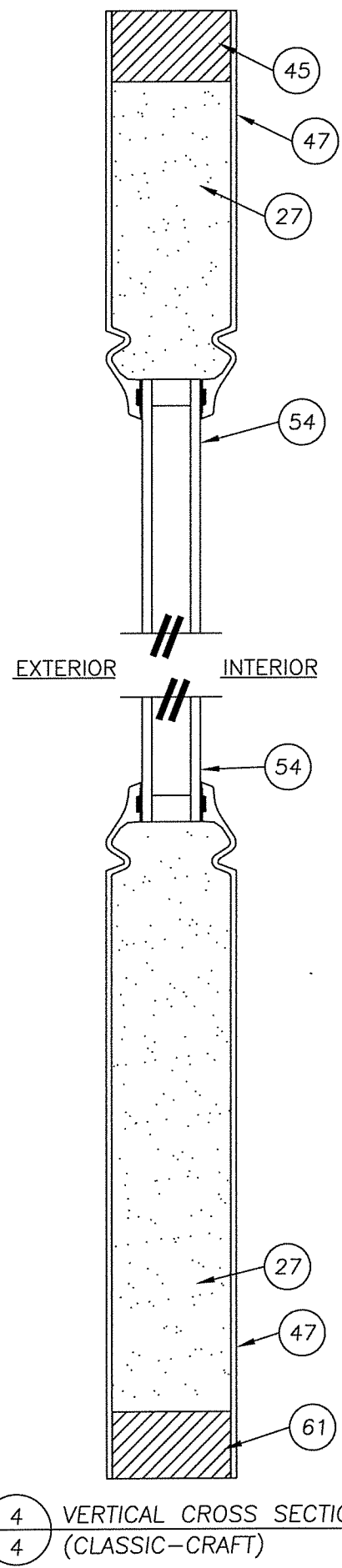
R:\Clients\Therma Tru PERMANENT\B - Texas Dept of Ins\TDI - DR 601 - 80 Opaque FG Imp IS - OS Sgls Dbis w-wo Imp SL\C - Drawings\Current\TX-4175-83.dwg, FOX4



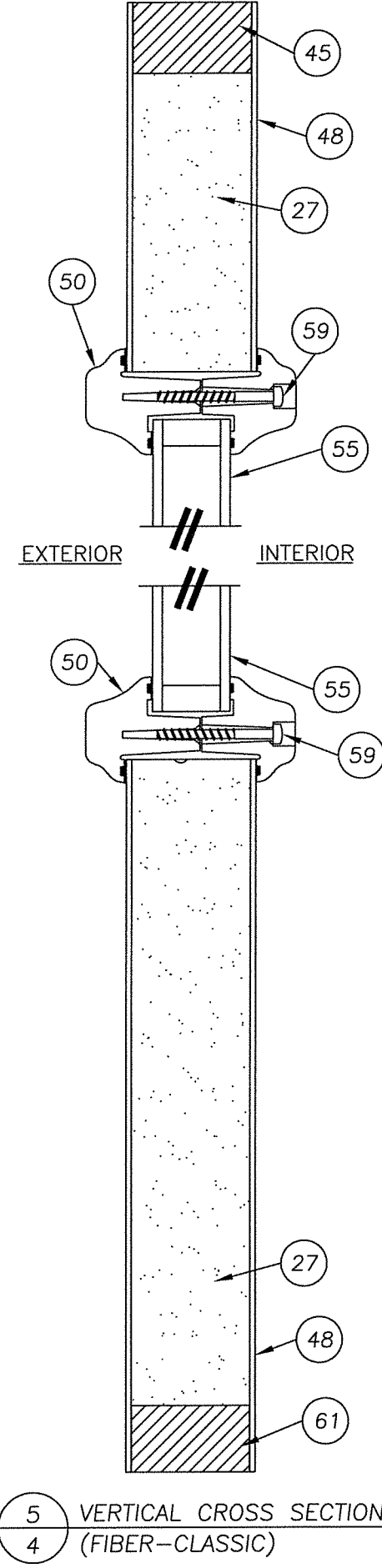
45 TOP RAIL SIDELITE



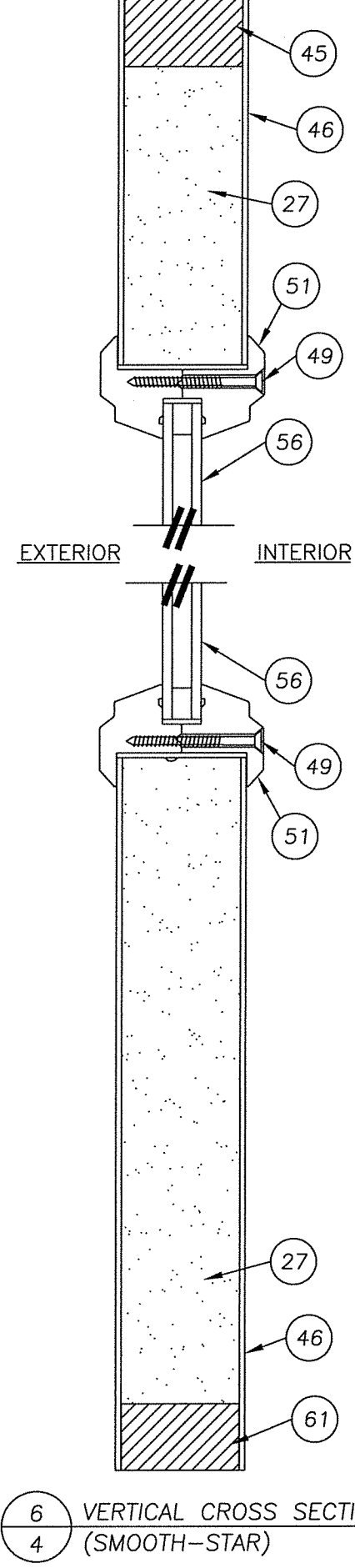
61 BOTTOM RAIL SIDELITE



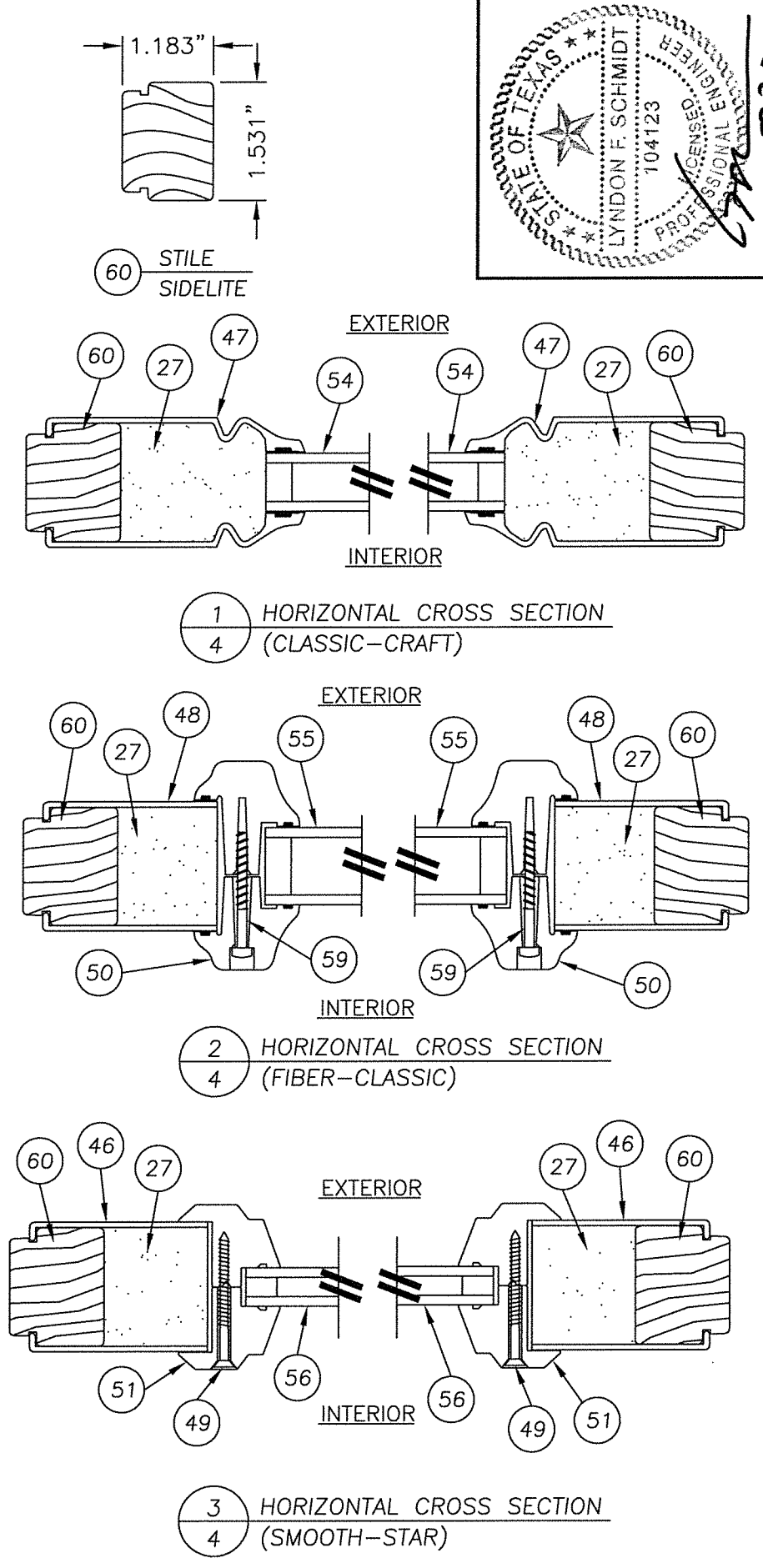
4 VERTICAL CROSS SECTION (CLASSIC-CRAFT)



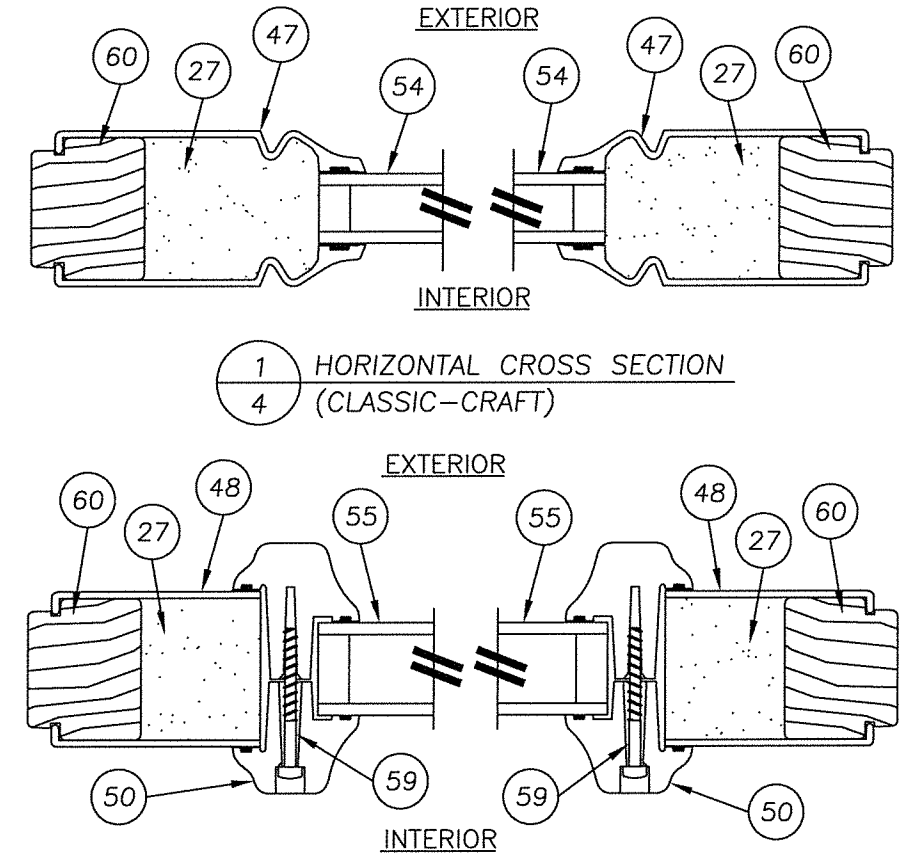
5 VERTICAL CROSS SECTION (FIBER-CLASSIC)



6 VERTICAL CROSS SECTION (SMOOTH-STAR)

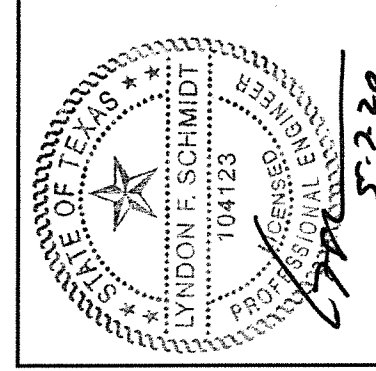


3 HORIZONTAL CROSS SECTION (SMOOTH-STAR)



2 HORIZONTAL CROSS SECTION (FIBER-CLASSIC)

1 HORIZONTAL CROSS SECTION (CLASSIC-CRAFT)



Documents Prepared By: Lyndon F. Schmidt, P.E.
 TEXAS P.E. #104123

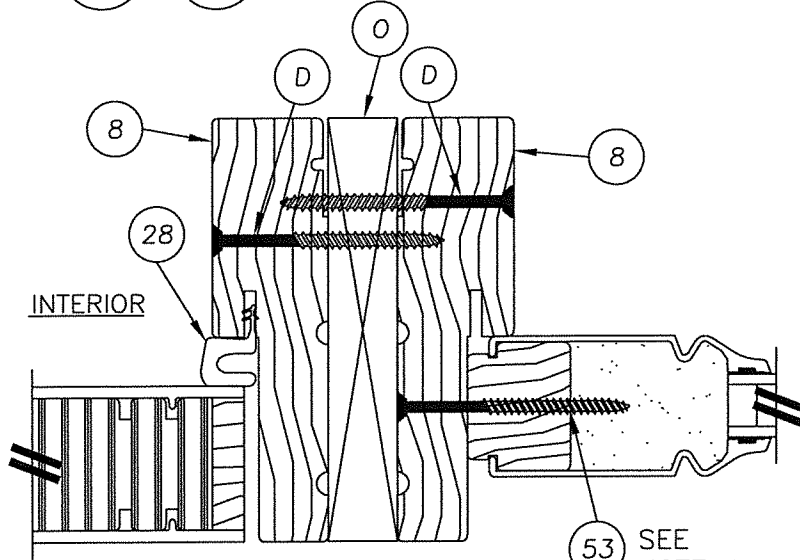
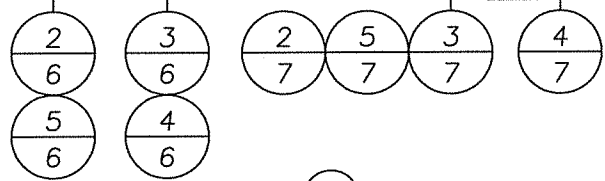
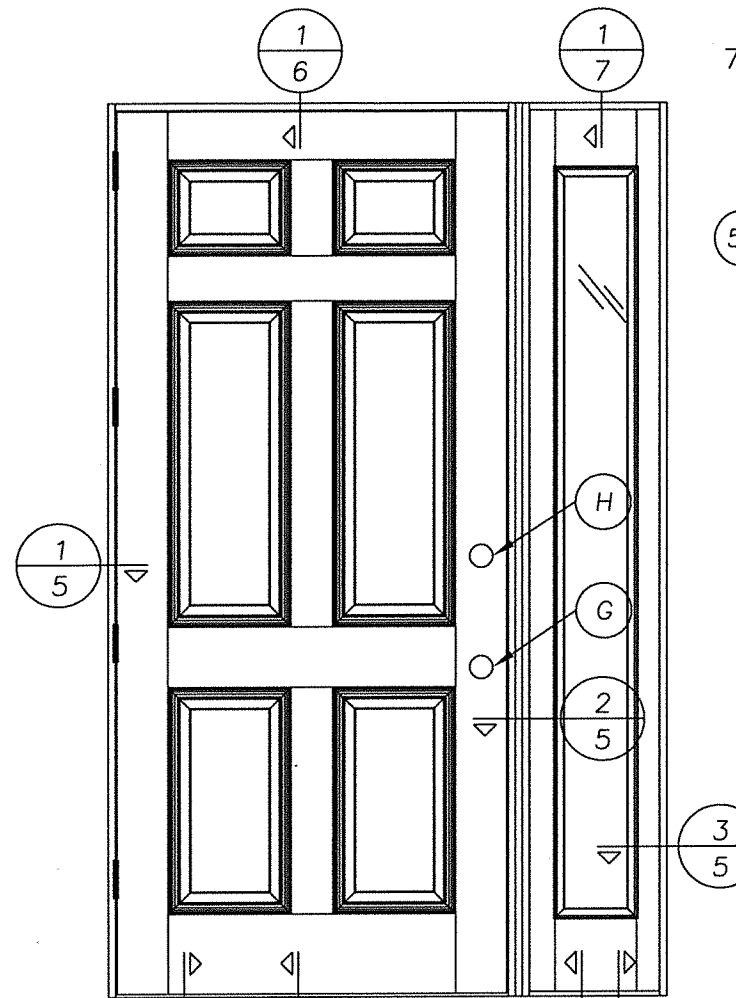
RW BUILDING CONSULTANTS, INC.
 P.O. Box 230 Valrico FL 33595
 Phone No.: 813.659.9197

TEXAS BOARD OF PROFESSIONAL ENGINEERS
 CERTIFICATE OF REGISTRATION # F-11852

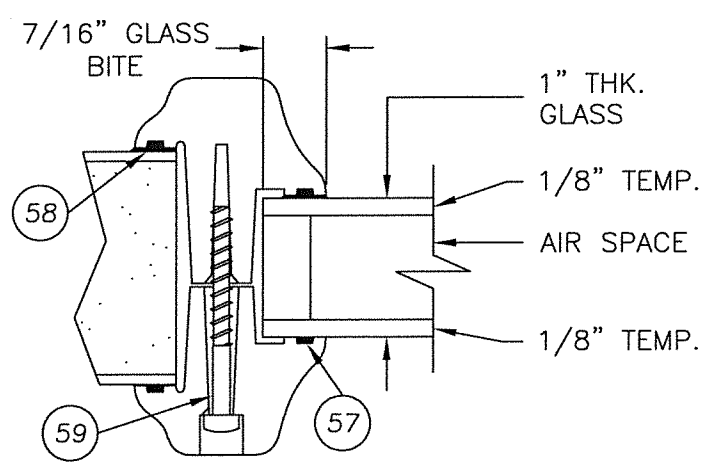
PRODUCT: SINGLE OPAQUE FIBERGLASS DOOR W/SIDELITE "IMPACT" INSWING / OUTSWING
 PART OR ASSEMBLY: SIDELITE PANEL DETAILS

NO.	DATE	REVISIONS
1	5/07/20	UPDATE TO 2018 IBC/IRC CODE
LFS		BY

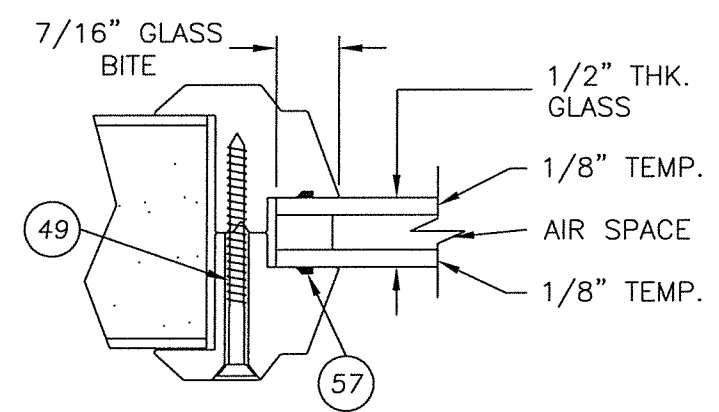
DATE: 7/16/12
 SCALE: N.T.S.
 DWG. BY: JK
 CHK. BY: LFS
 DRAWING NO.: TX-4181
 SHEET 4 OF 10



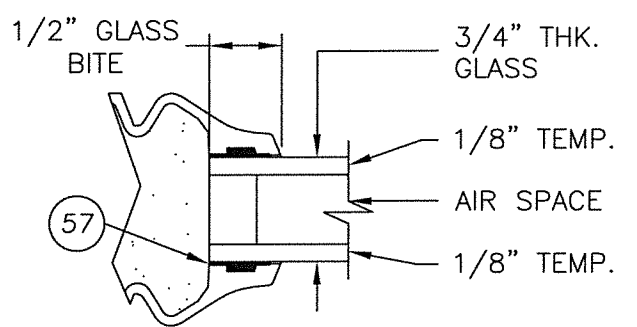
2 HORIZONTAL CROSS SECTION
 5 OUTSWING SHOWN (INSWING ALSO APPROVED)
 CLASSIC-CRAFT PANEL SHOWN
 SEE PANEL DETAILS FOR
 OPTIONAL PANEL TYPES



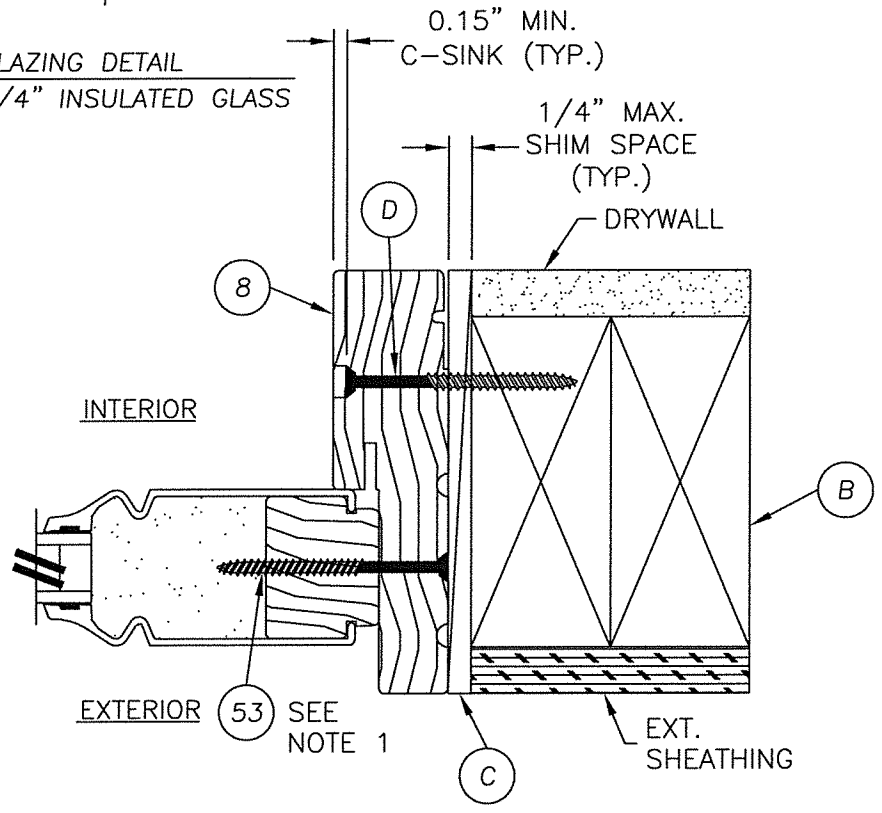
55 GLAZING DETAIL
 1" INSULATED GLASS



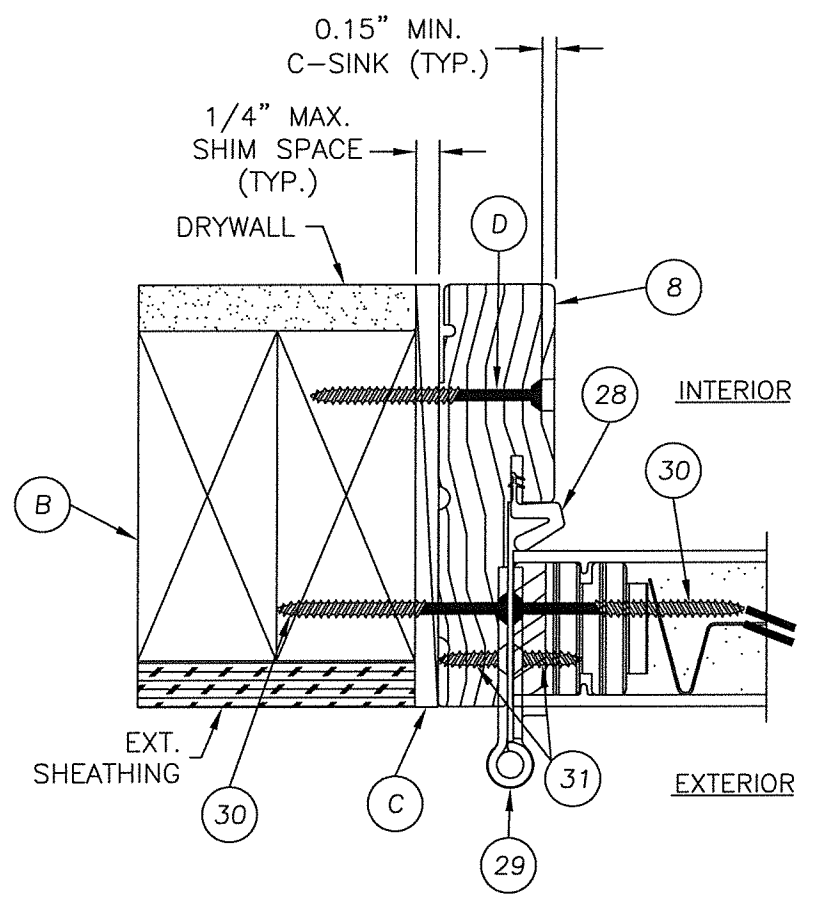
56 GLAZING DETAIL
 1/2" INSULATED GLASS



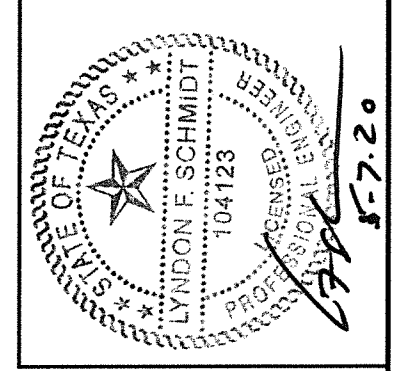
54 GLAZING DETAIL
 3/4" INSULATED GLASS



3 HORIZONTAL CROSS SECTION
 5 OUTSWING SHOWN (INSWING ALSO APPROVED)
 CLASSIC-CRAFT PANEL SHOWN
 SEE SIDELITE PANEL DETAILS FOR
 OPTIONAL PANEL TYPES



1 HORIZONTAL CROSS SECTION
 5 OUTSWING SHOWN (INSWING ALSO APPROVED)
 CLASSIC-CRAFT PANEL SHOWN
 SEE DOOR PANEL DETAILS FOR
 OPTIONAL PANEL TYPES



NOTE:
 1. SIDELITE ASSEMBLY SCREWS LOCATED
 4" FROM ENDS AND 5 MORE EQUALLY
 SPACED (7 TOTAL).

Documents Prepared By: Lyndon F. Schmidt, P.E.
 TEXAS P.E. #104123

RW BUILDING CONSULTANTS, INC.
 P.O. Box 230 Valrico FL 33595
 Phone No.: 813.659.9197

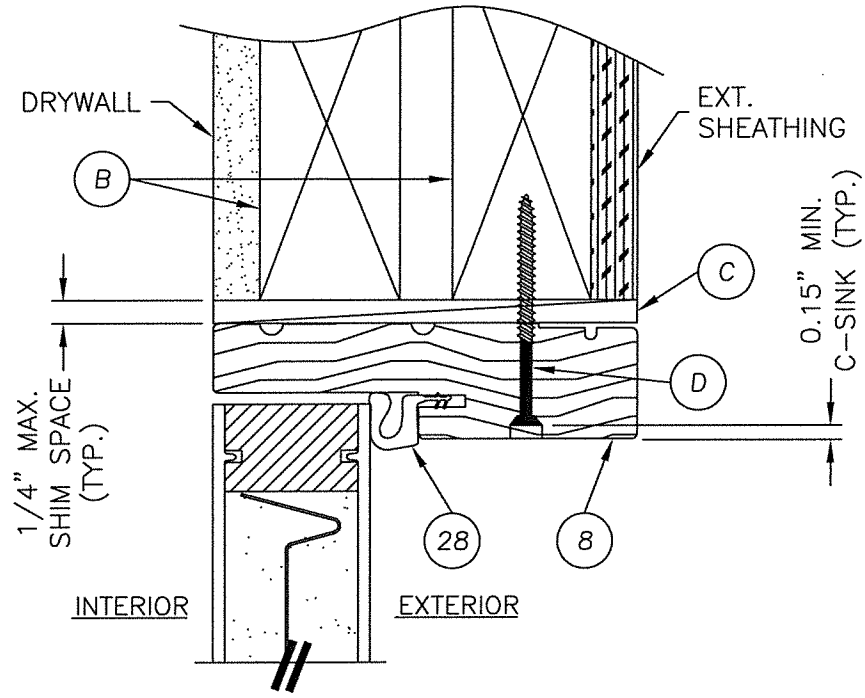
TEXAS BOARD OF PROFESSIONAL ENGINEERS
 CERTIFICATE OF REGISTRATION # F-11852

PRODUCT: SINGLE OPAQUE
 FIBERGLASS DOOR W/SIDELITE
 "IMPACT" INSWING / OUTSWING

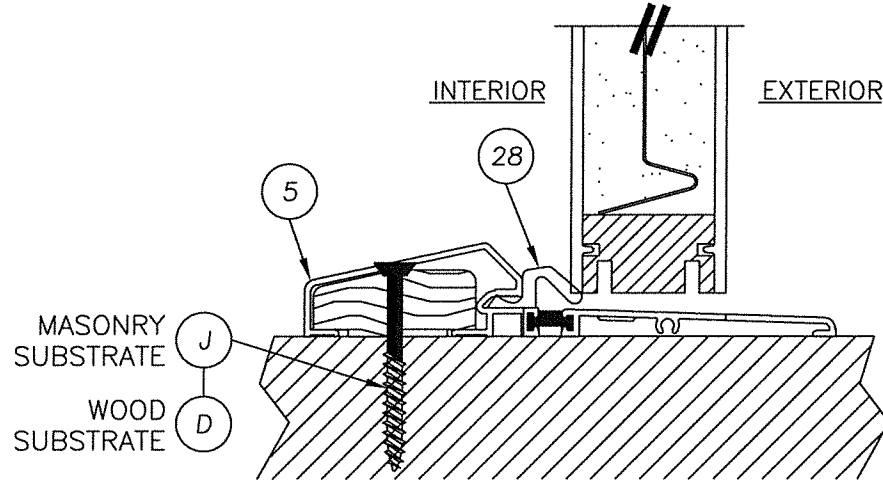
PART OR ASSEMBLY:
 HORIZONTAL CROSS SECTIONS
 & GLAZING DETAILS

NO.	DATE	DESCRIPTION	LFS	BY
1	5/07/20	UPDATE TO 2018 IBC/IRC CODE		
REVISIONS				

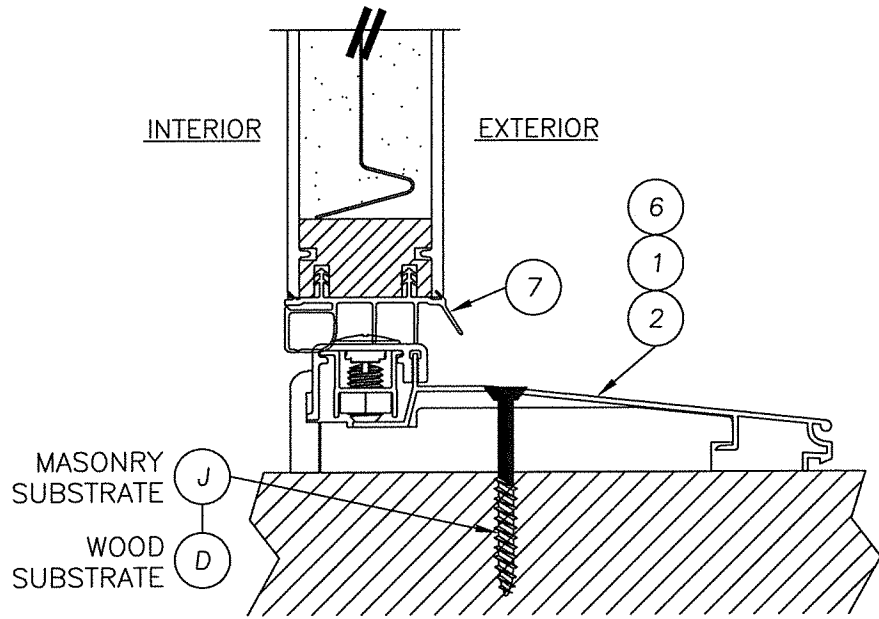
DATE: 7/16/12
 SCALE: N.T.S.
 DWG. BY: JK
 CHK. BY: LFS
 DRAWING NO.: TX-4181
 SHEET 5 OF 10



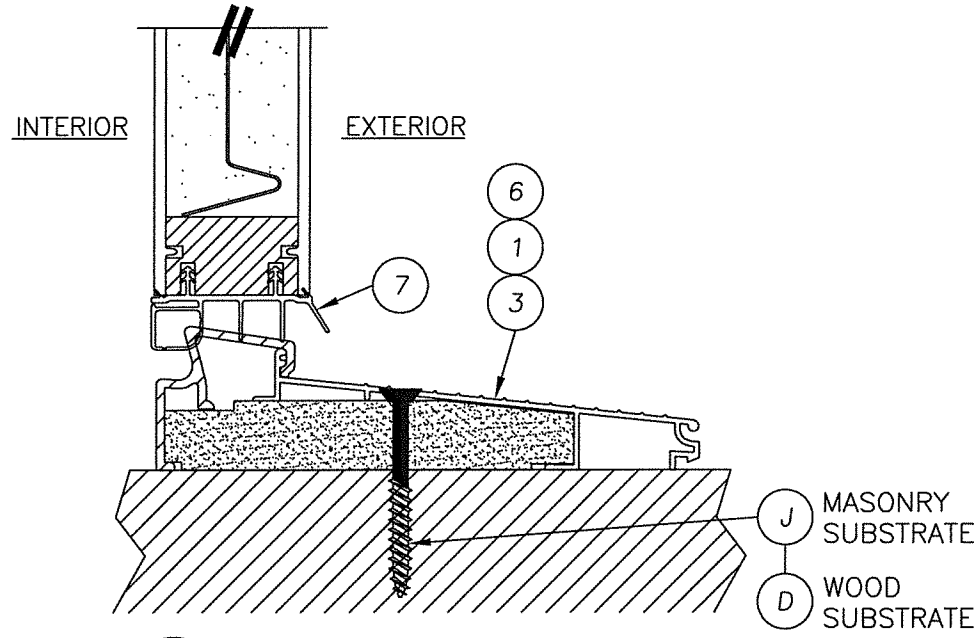
1 VERTICAL CROSS SECTION
6 INSWING SHOWN (OUTSWING ALSO APPROVED)
CLASSIC-CRAFT PANEL SHOWN
SEE DOOR PANEL DETAILS FOR
OPTIONAL PANEL TYPES



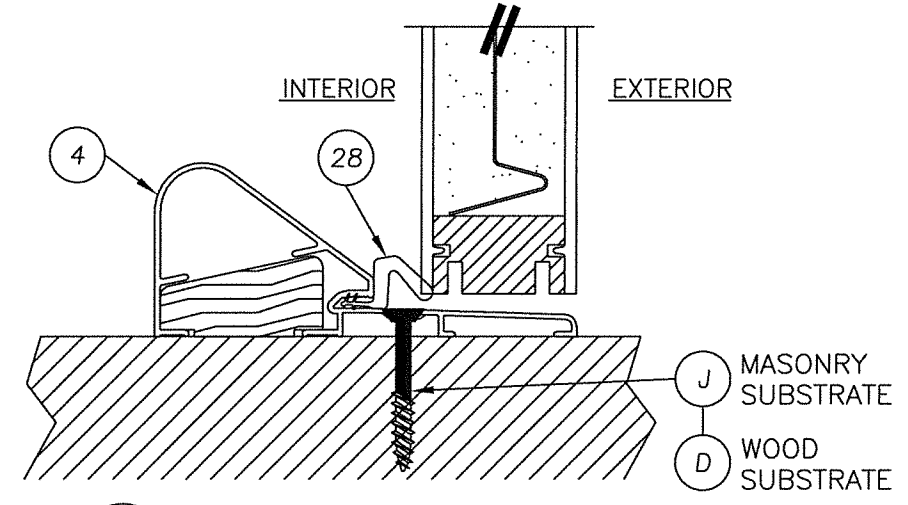
2 VERTICAL CROSS SECTION
6 @ THRESHOLD
CLASSIC-CRAFT PANEL SHOWN
SEE DOOR PANEL DETAILS FOR
OPTIONAL PANEL TYPES



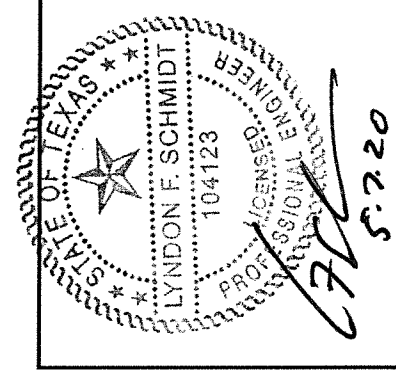
3 VERTICAL CROSS SECTION
6 @ THRESHOLD
CLASSIC-CRAFT PANEL SHOWN
SEE DOOR PANEL DETAILS FOR
OPTIONAL PANEL TYPES



4 VERTICAL CROSS SECTION
6 @ THRESHOLD
CLASSIC-CRAFT PANEL SHOWN
SEE DOOR PANEL DETAILS FOR
OPTIONAL PANEL TYPES



5 VERTICAL CROSS SECTION
6 @ THRESHOLD
CLASSIC-CRAFT PANEL SHOWN
SEE DOOR PANEL DETAILS FOR
OPTIONAL PANEL TYPES



Documents Prepared By: Lyndon F. Schmidt, P.E.
TEXAS P.E. #104123

RW BUILDING CONSULTANTS, INC.
P.O. Box 230 Valrico FL, 33595
Phone No.: 813.669.9197

TEXAS BOARD OF PROFESSIONAL ENGINEERS
CERTIFICATE OF REGISTRATION # F-11852

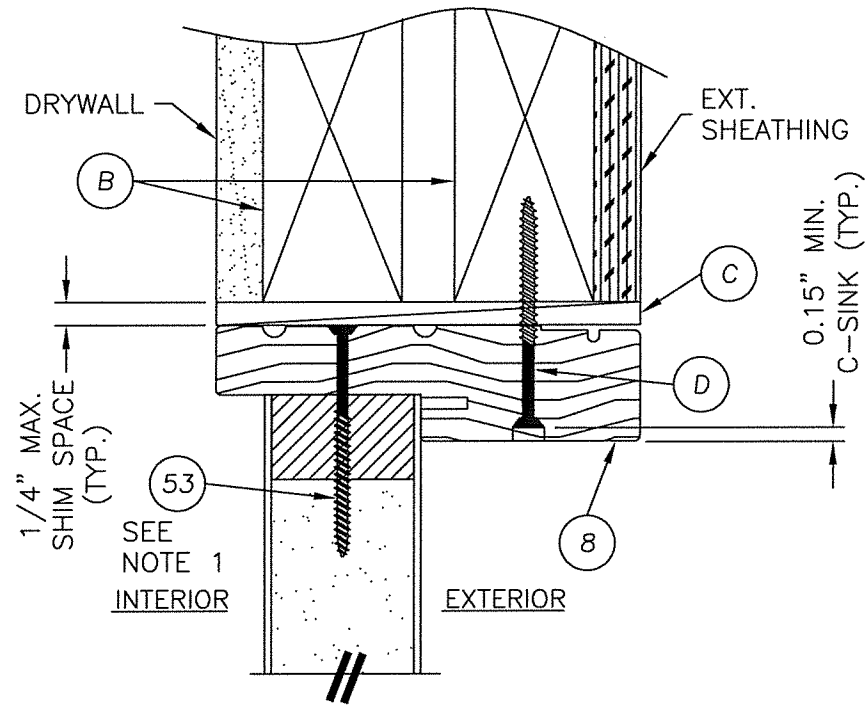
PRODUCT: SINGLE OPAQUE
FIBERGLASS DOOR W/SIDELITE
"IMPACT" INSWING / OUTSWING

PART OR ASSEMBLY: VERTICAL CROSS SECTIONS

NO.	DATE	UPDATE TO 2018 IBC/IRC CODE	LFS	BY
1	5/07/20			

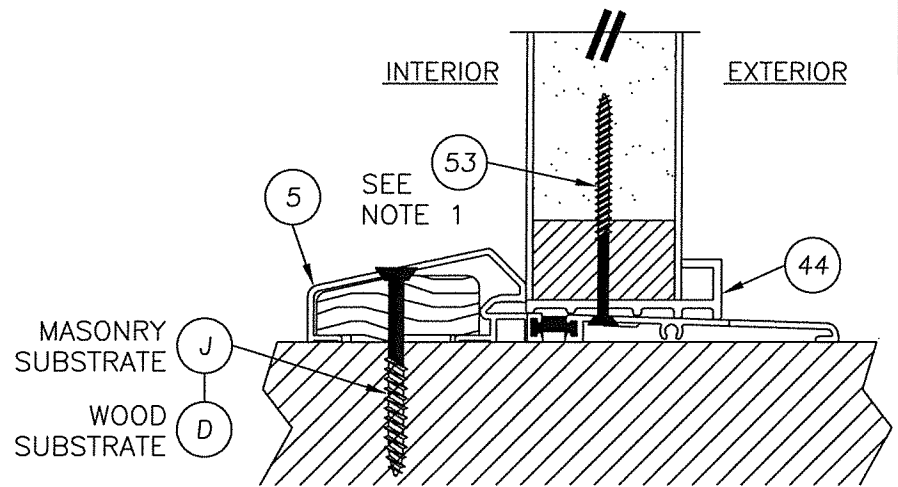
REVISIONS

DATE: 7/16/12
SCALE: N.T.S.
DWG. BY: JK
CHK. BY: LFS
DRAWING NO.: TX-4181
SHEET 6 OF 10

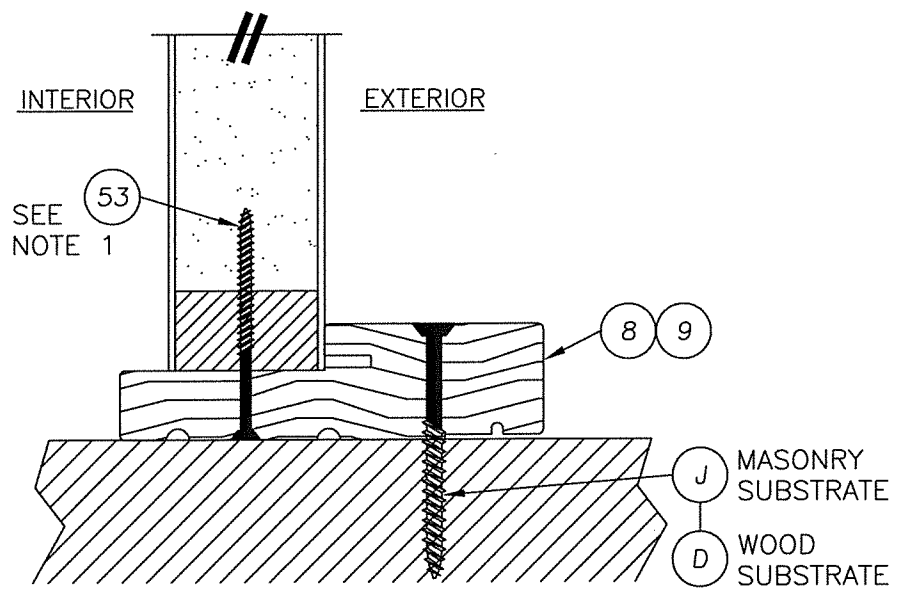


1
7 VERTICAL CROSS SECTION

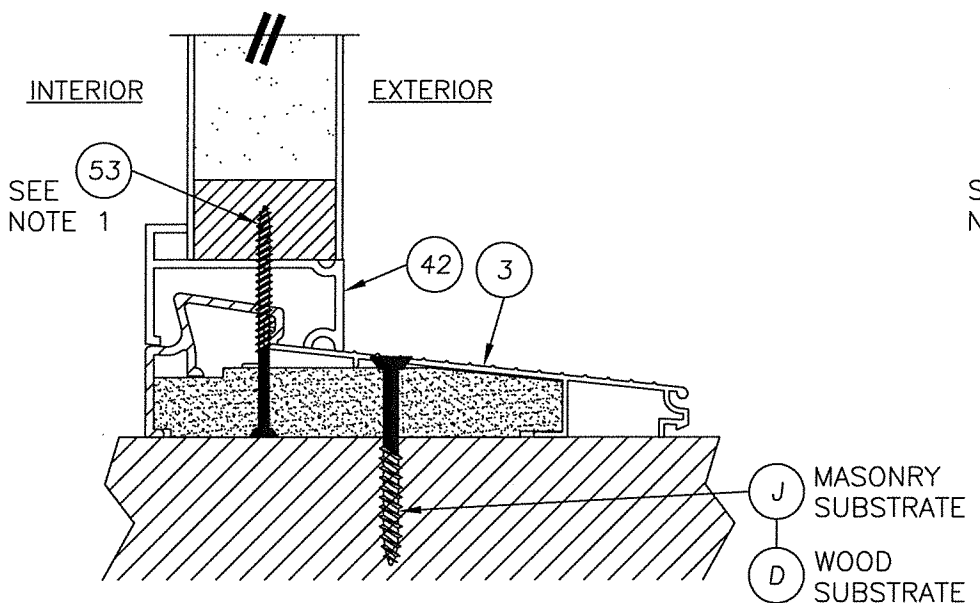
NOTE:
1. SIDELITE ASSEMBLY SCREWS LOCATED 4.25" FROM ENDS (2 TOTAL).



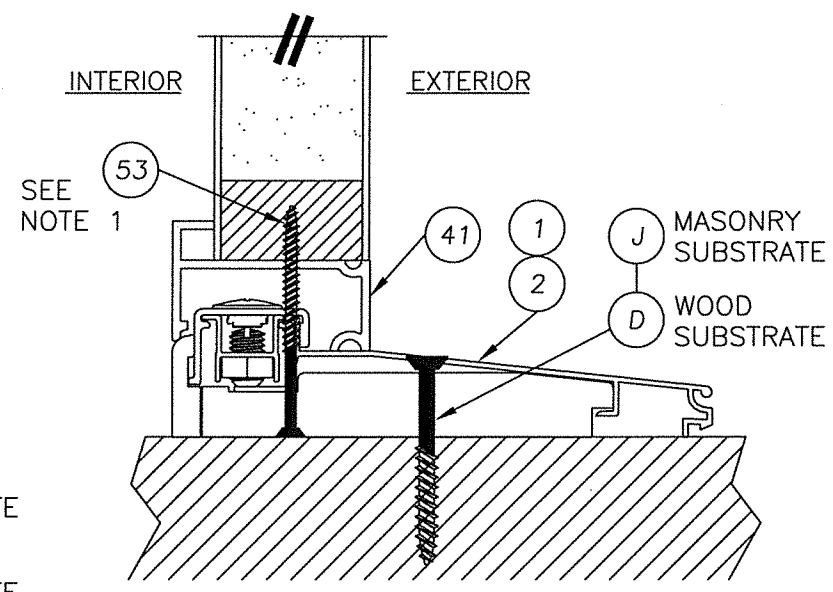
4
7 VERTICAL CROSS SECTION



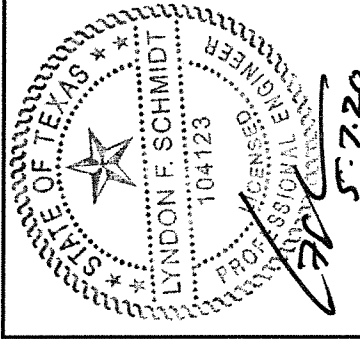
3
7 VERTICAL CROSS SECTION



2
7 VERTICAL CROSS SECTION



5
7 VERTICAL CROSS SECTION



Documents Prepared By: Lyndon F. Schmidt, P.E.
TEXAS P.E. #104123

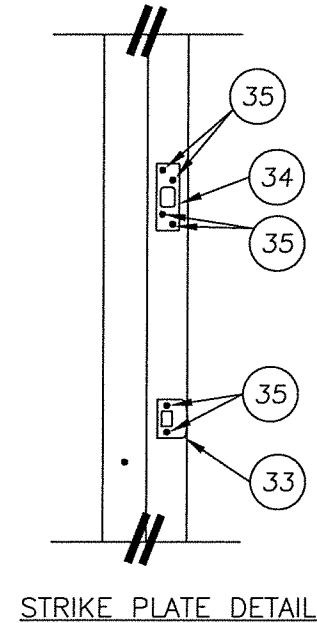
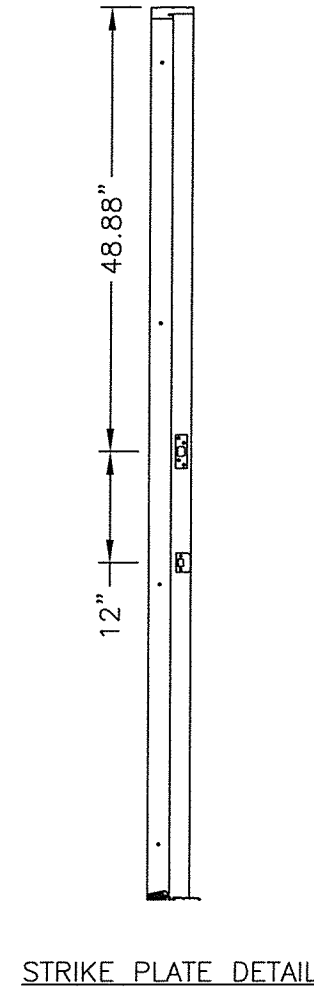
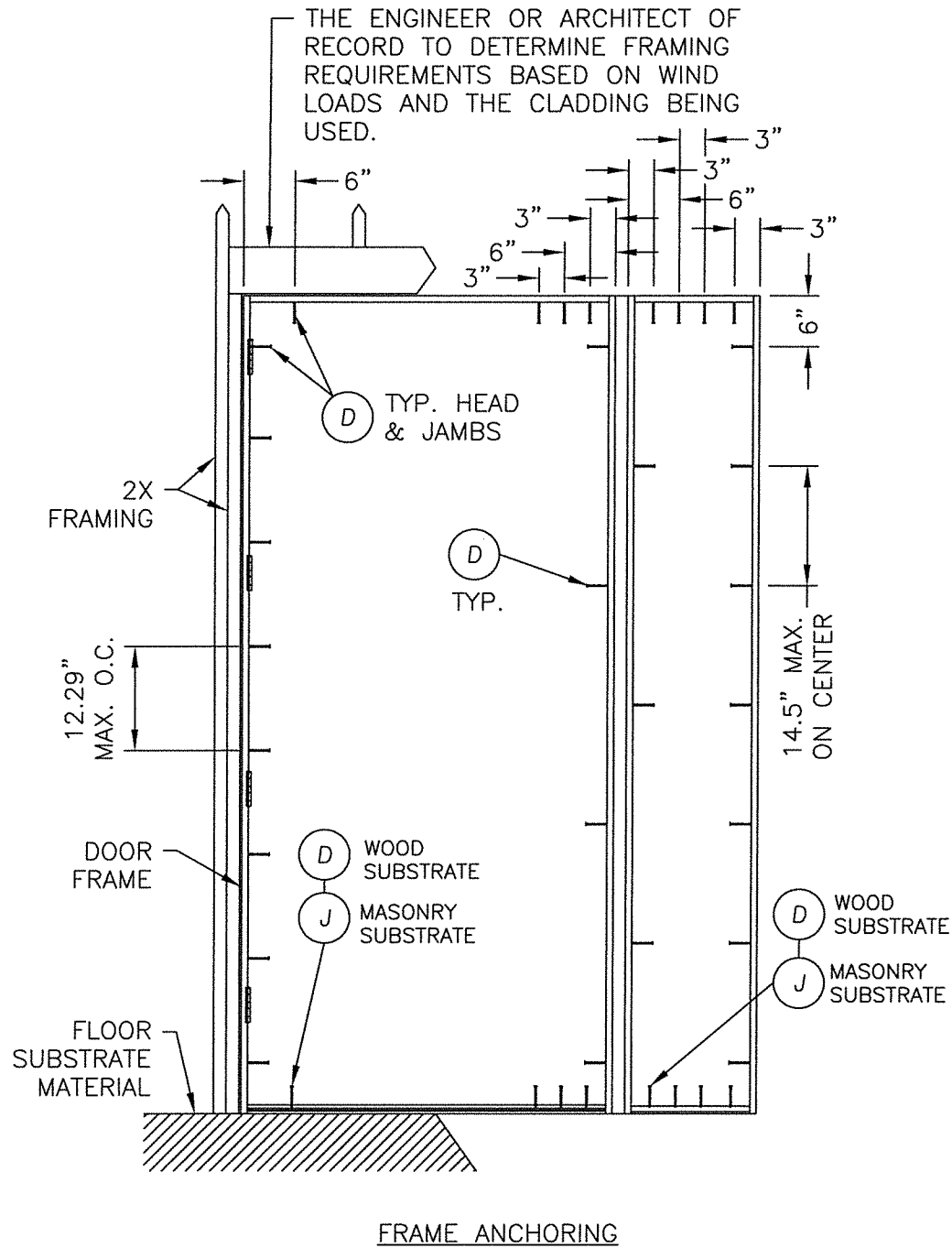
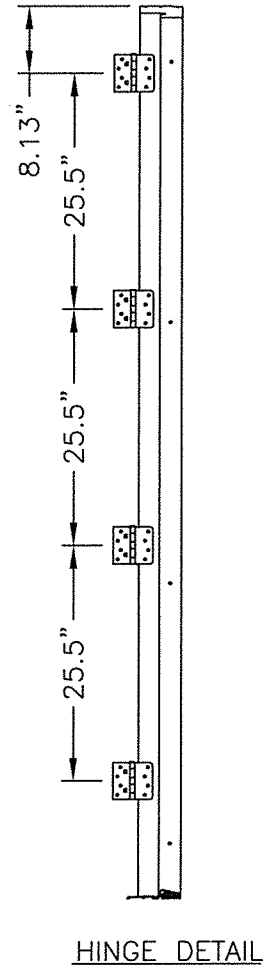
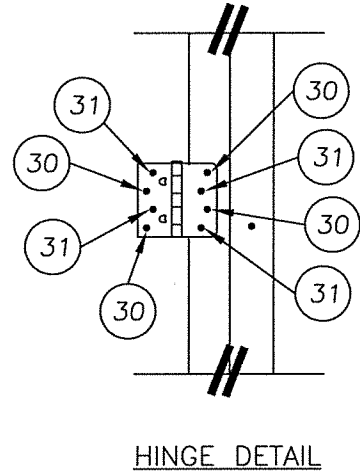
RW BUILDING CONSULTANTS, INC.
P.O. Box 230 Valrico FL 33595
Phone No.: 813.659.9197

TEXAS BOARD OF PROFESSIONAL ENGINEERS
CERTIFICATE OF REGISTRATION # F-11852

PRODUCT: SINGLE OPAQUE
FIBERGLASS DOOR W/SIDELITE
"IMPACT" INSWING / OUTSWING
PART OR ASSEMBLY:
VERTICAL CROSS SECTIONS

NO.	DATE	UPDATE TO 2018 IBC/IRC CODE	LFS	BY
1	5/07/20			

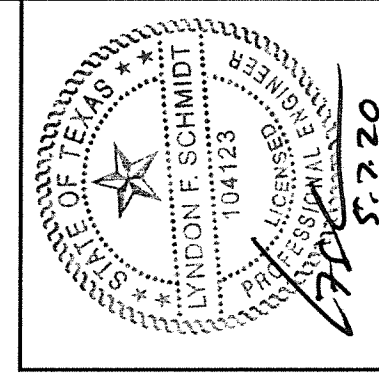
DATE: 7/16/12
SCALE: N.T.S.
DWG. BY: JK
CHK. BY: LFS
DRAWING NO.: TX-4181
SHEET 7 OF 10



CONCRETE ANCHOR NOTES:

1. Concrete anchor locations at the corners may be adjusted to maintain the min. edge distance to mortar joints.
2. Concrete anchor locations noted as "MAX. ON CENTER" must be adjusted to maintain the min. edge distance to mortar joints, additional concrete anchors may be required to ensure the "MAX. ON CENTER" dimension are not exceeded.
3. Concrete anchor table:

ANCHOR TYPE	ANCHOR SIZE	MIN. EMBEDMENT	MIN. CLEARANCE TO MASONRY EDGE	MIN. CLEARANCE TO ADJACENT ANCHOR
ITW TAPCON®	1/4"	1-3/4"	2-1/2"	3"
ELCO ULTRACON®	1/4"	1-3/4"	1"	3"



Documents Prepared By: Lyndon F. Schmidt, P.E.
TEXAS P.E. #104123

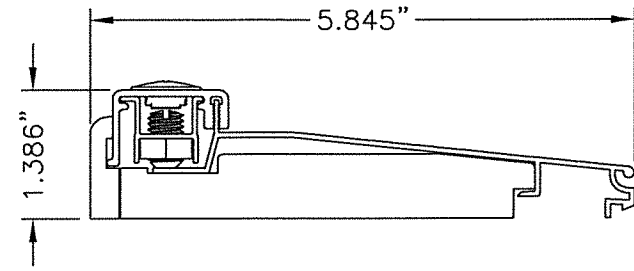
RW BUILDING CONSULTANTS, INC.
P.O. Box 230 Valrico FL 33595
Phone No.: 813.659.9197

TEXAS BOARD OF PROFESSIONAL ENGINEERS
CERTIFICATE OF REGISTRATION # F-11852

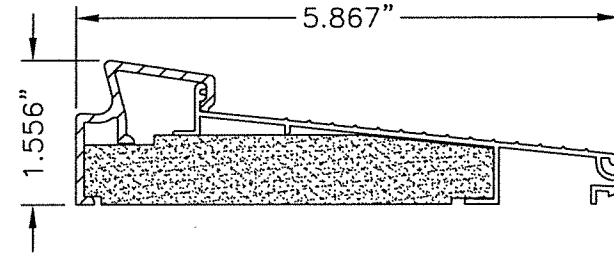
PRODUCT: SINGLE OPAQUE
FIBERGLASS DOOR W/SIDELITE
"IMPACT" INSWING / OUTSWING
PART OR ASSEMBLY:
FRAME ANCHORING

NO.	DATE	DESCRIPTION	BY
1	5/07/20	UPDATE TO 2018 IBC/IRC CODE	LFS
REVISIONS			

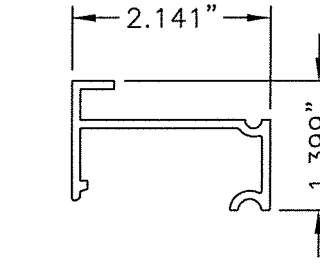
DATE: 7/16/12
SCALE: N.T.S.
DWG. BY: JK
CHK. BY: LFS
DRAWING NO.: TX-4181
SHEET 8 OF 10



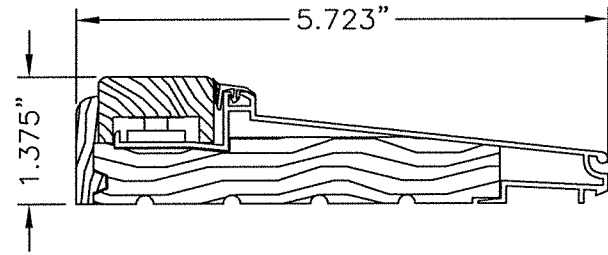
2 THRESHOLD
INSWING ADJUSTABLE



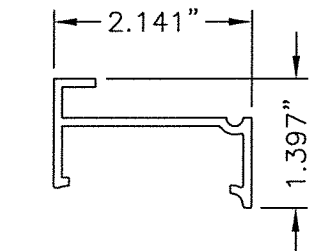
3 THRESHOLD
INSWING SELF-ADJUST



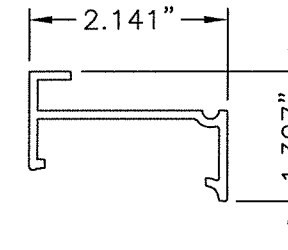
41 INSWING SIDELITE
SPACER



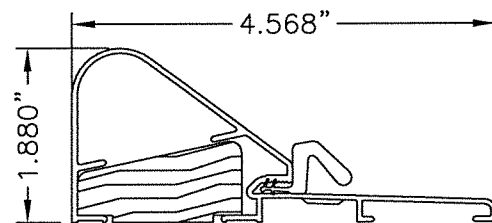
1 THRESHOLD
INSWING ADJUSTABLE



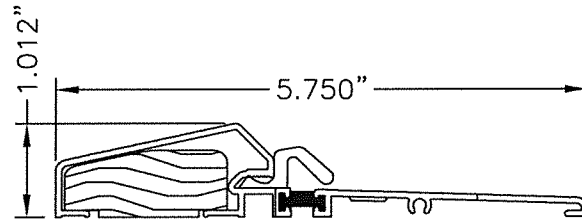
40 INSWING SIDELITE
SPACER



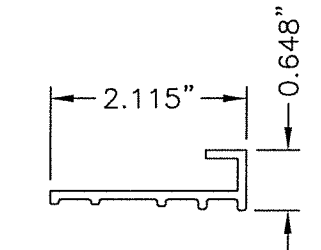
43 INSWING SIDELITE
SPACER



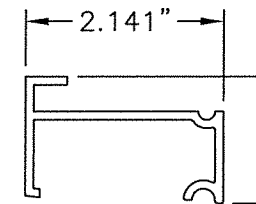
4 THRESHOLD
OUTSWING COASTAL



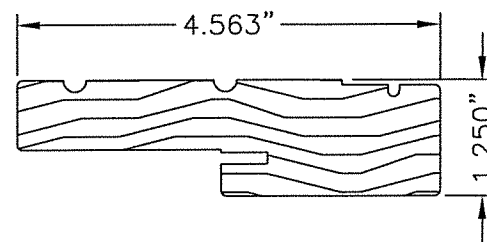
5 THRESHOLD
OUTSWING STANDARD



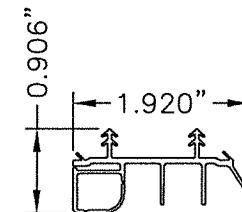
44 OUTSWING SIDELITE
SPACER



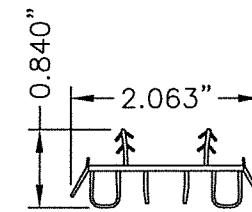
42 INSWING SIDELITE
SPACER



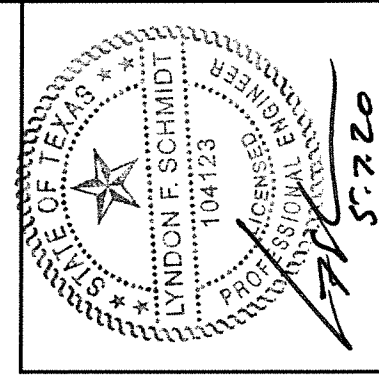
8 JAMB



7 SWEEP



52 SWEEP



Documents Prepared By: Lyndon F. Schmidt, P.E.
TEXAS P.E. #104123

RW BUILDING CONSULTANTS, INC.
P.O. Box 230 Valrico FL, 33595
Phone No.: 813.659.9197

TEXAS BOARD OF PROFESSIONAL ENGINEERS
CERTIFICATE OF REGISTRATION # F-11852

PRODUCT: SINGLE OPAQUE
FIBERGLASS DOOR W/SIDELITE
"IMPACT" INSWING / OUTSWING

PART OR ASSEMBLY:
COMPONENTS

NO.	DATE	UPDATE TO 2018 IBC/IRC CODE	LFS	BY
1	5/07/20			

DATE: 7/16/12

SCALE: N.T.S.

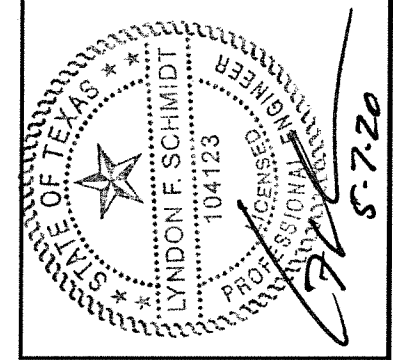
DWG. BY: JK

CHK. BY: LFS

DRAWING NO.:

TX-4181

SHEET 9 OF 10



Documents Prepared By: Lyndon F. Schmidt, P.E.
TEXAS P.E. #104123

RW BUILDING CONSULTANTS, INC.
P.O. Box 230 Vairico FL 33595
Phone No.: 813.659.9197

TEXAS BOARD OF PROFESSIONAL ENGINEERS
CERTIFICATE OF REGISTRATION # F-11852

BILL OF MATERIALS		
ITEM	DESCRIPTION	MATERIAL
B	2X FRAMING (G >= 0.42)	WOOD
C	1/4" MAX. SHIM SPACE	WOOD
D	#10 X 2-1/2" PFH WOOD SCREW	STEEL
G	KWIKSET 200 SERIES PASSAGE LOCK	STEEL
H	KWIKSET 600 SERIES DEADBOLT	STEEL
J	1/4" ELCO OR ITW CONCRETE SCREW (1-3/4" MIN. EMB.)	STEEL
O	1X MULLION (G >= 0.42)	WOOD
1	INSWING ADJUSTABLE THRESHOLD (IS300AJ)	ALUM./WOOD
2	INSWING THRESHOLD (IS300HP5)	ALUM./COMP.
3	INSWING SELF ADJUST THERMAL BREAK THRESHOLD (ISP30M)	ALUM./COMP.
4	OUTSWING COASTAL THRESHOLD	ALUM./WOOD
5	OUTSWING STANDARD THRESHOLD	ALUM./WOOD
7	DOOR BOTTOM SWEEP	VINYL
8	JAMB (OAK)	WOOD
16	HINGE STILE (CLASSIC-CRAFT)	WOOD/LVL
17	LOCK STILE (CLASSIC-CRAFT)	WOOD/LVL
18	TOP RAIL (CLASSIC-CRAFT)	PVC
19	BOTTOM RAIL (CLASSIC-CRAFT)	PVC
20	PANEL REINFORCEMENT 0.023" THK. (CLASSIC-CRAFT)	STEEL
21	DOOR SKIN 0.125" THK. (CLASSIC-CRAFT) Fy = 6,000 PSI MIN.	FIBERGLASS
22	LOCK & HINGE STILE (CLASSIC-CRAFT RUSTIC)	WOOD/LVL
23	TOP RAIL (CLASSIC-CRAFT RUSTIC)	WOOD
24	BOTTOM RAIL (CLASSIC-CRAFT RUSTIC)	PVC
25	PANEL REINFORCEMENT 0.023" THK. (CLASSIC-CRAFT RUSTIC)	STEEL
26	DOOR SKIN 0.125" THK. (CC RUSTIC) Fy = 6,000 PSI MIN.	FIBERGLASS
27	FOAM CORE	POLYURETHANE
28	WEATHERSTRIP	FOAM
29	HINGE	STEEL
30	#10 X 2-1/2" PFH SCREW	STEEL
31	#10 X 3/4" PFH SCREW	STEEL
32	#9 X 3" PFH WOOD SCREW	STEEL
33	LATCH STRIKE PLATE	STEEL
34	SECURITY STRIKE PLATE (SINGLE DOOR ONLY)	STEEL
35	#8 X 3" PFH SCREW	STEEL

BILL OF MATERIALS			
ITEM	DESCRIPTION	MATERIAL	
40	INSWING SIDELITE SPACER FOR ADJUSTABLE THRESHOLD (DB14AJA)	PVC	
41	INSWING SIDELITE SPACER FOR HP THRESHOLD (DB14HPA)	PVC	
42	INSWING SIDELITE SPACER FOR SELF ADJUST THRESHOLD (DB14)	PVC	
43	INSWING SIDELITE SPACER	PVC	
44	OUTSWING SIDELITE SPACER	PVC	
45	SIDELITE TOP RAIL	PVC	
46	SIDELITE SKIN 0.070" THK. (SMOOTH-STAR) Fy = 6,000 PSI MIN.	FIBERGLASS	
47	SIDELITE SKIN 0.090" THK. (CLASSIC-CRAFT) Fy = 6,000 PSI MIN.	FIBERGLASS	
48	SIDELITE SKIN 0.070" THK. (FIBER-CLASSIC) Fy = 6,000 PSI MIN.	FIBERGLASS	
49	#6 X 1-3/4" PFH SCREW (LITE FRAME)	STEEL	
50	LITE FRAME FIBER-CLASSIC	PVC	
51	LITE FRAME SMOOTH-STAR	PVC	
52	DOOR BOTTOM SWEEP	VINYL	
53	#9 X 2-1/2" PFH WOOD SCREW (JAMB TO SIDELITE)	STEEL	
54	3/4" INSULATED GLASS 1/8" TEMPERED - AIR - 1/8" TEMPERED	GLASS	
55	1" INSULATED GLASS 1/8" TEMPERED - AIR - 1/8" TEMPERED	GLASS	
56	1/2" INSULATED GLASS 1/8" TEMPERED - AIR - 1/8" TEMPERED	GLASS	
57	GLAZING COMPOUND	SILICONE	
58	SEALANT	SILICONE	
59	#9 X 1" PPH SCREW (LITE FRAME)	STEEL	
60	SIDELITE STILE	WOOD	
61	SIDELITE BOTTOM RAIL	PVC	

PRODUCT: SINGLE OPAQUE FIBERGLASS DOOR W/SIDELITE "IMPACT" INSWING / OUTSWING PART OR ASSEMBLY: BILL OF MATERIALS

NO.	DATE	DESCRIPTION	LFS	BY
1	5/07/20	UPDATE TO 2018 IBC/IRC CODE		

REVISIONS

DATE: 7/16/12
SCALE: N.T.S.
DWG. BY: JK
CHK. BY: LFS
DRAWING NO.: TX-4181
SHEET 10 OF 10