

### "Smooth Star", "Fiber Classic" & "Classic Craft"

### Opaque Fiberglass Double Door w/ or w/o Sidelites

### INSWING / OUTSWING

### "Non-Impact"

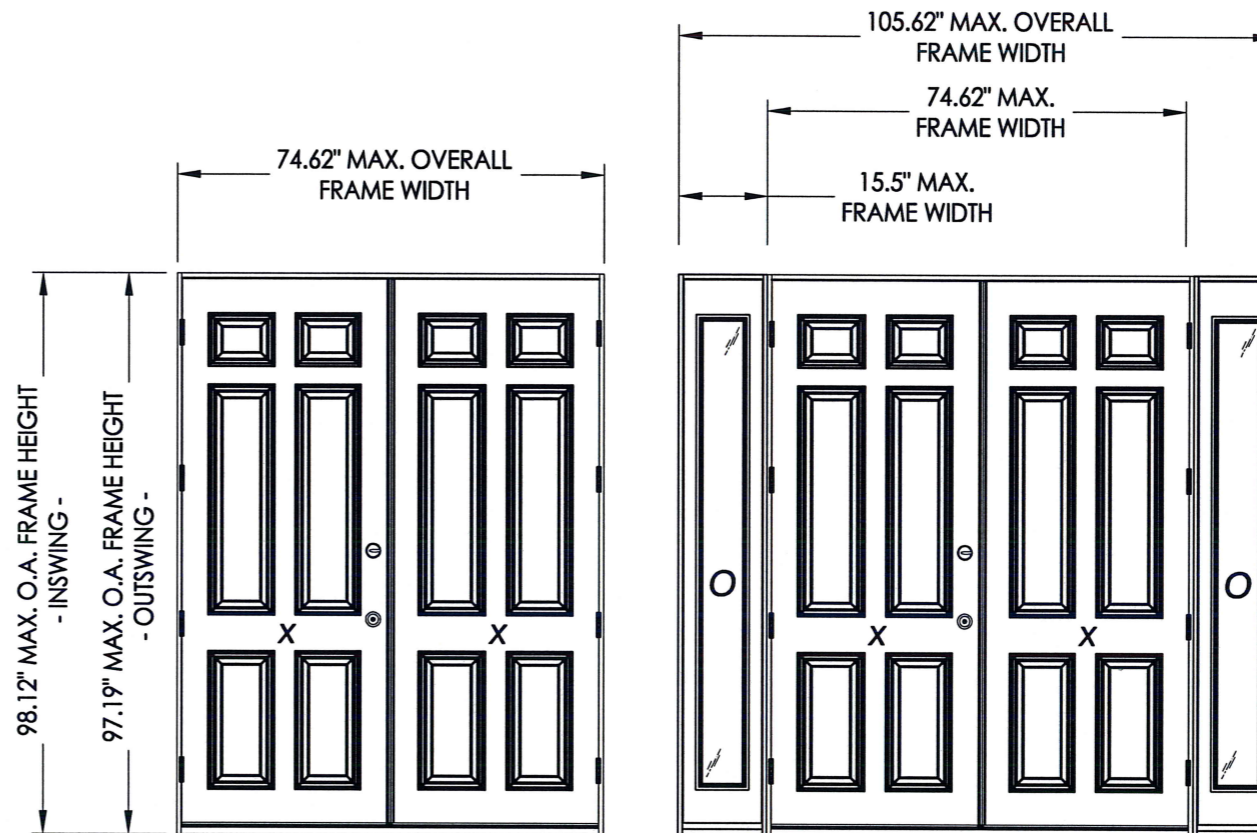
EVALUATED FOR USE IN THE STATE OF TEXAS

The Therma-Tru FIBERGLASS door described herein complies with the 2006 International Residential Code (IRC), Sections R301 & R613 and the 2006 International Building Code (IBC), Sections 1405.12, 1609, 1714.5, 2403 and 2404 (including Texas revisions) subject to the following conditions:

1. Anchors shall be as listed and spaced as shown in the details. Anchor embedment to base material shall be beyond wall dressing or stucco.
2. When used in areas requiring wind-borne debris protection, the opaque doors do not require impact protection while the sidelites are required to be protected with an impact resistant covering that complies with Section R301.2.1.2 of the IRC and Section 1609.1.2 of the IBC.
3. Allowable design pressure requirements must be equal to or less than the design pressure rating shown in the design pressure chart, sheet 1 of this drawing.
4. Conditions not covered by this drawing are subject to further engineering analysis.

#### TABLE OF CONTENTS

SHEET #	DESCRIPTION
1	Typical elevations, design pressures & general notes
2	Door panel details (Smooth Star/Fiber Classic)
3	Door panel details (Classic Craft)
4	Sidelite panel & glazing detail (Smooth Star/Fiber Classic)
5	Sidelite panel & glazing detail (Classic Craft)
6	Elevations
7	Horizontal cross sections
8	Vertical cross sections
9	Vertical cross sections
10	Frame anchoring
11	Astragal details
12	Bill of materials and components



CONFIGURATION	MAX. FRAME DIMENSION	SWING	DESIGN PRESSURE (PSF)	
			POSITIVE	NEGATIVE
XX	74.62" x 98.12"	INSWING	+50.0	-55.0
	74.62" x 97.19"	OUTSWING	+50.0	-55.0
OXXO	105.62" x 98.12"	INSWING	+50.0	-55.0
	105.62" x 97.19"	OUTSWING	+50.0	-55.0



Documents Prepared By: Lyndon F. Schmidt, P.E.  
TEXAS P.E. #104123

RW BUILDING CONSULTANTS, INC.  
P.O. Box 230 Valrico FL 33595  
Phone No.: 813.659.9197

TEXAS BOARD OF PROFESSIONAL ENGINEERS  
CERTIFICATE OF REGISTRATION # F-11852

PRODUCT: THERMA-TRU FIBERGLASS DOOR

PART OR ASSEMBLY: TYPICAL ELEVATION, DESIGN PRESSURES & GENERAL NOTES

NO.	DATE	BY	REVISIONS

DATE: 10/08/12

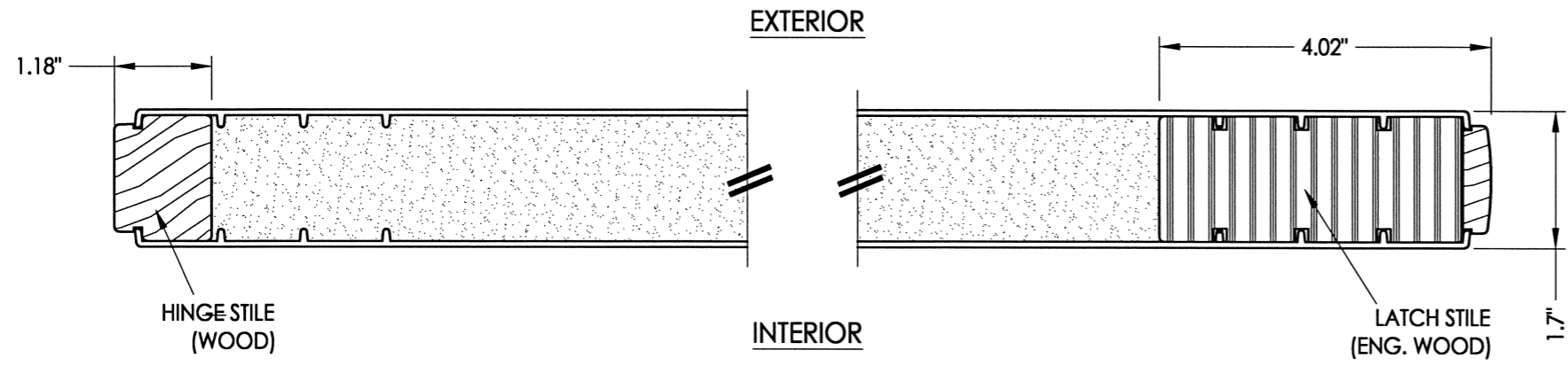
SCALE: N.T.S.

DWG. BY: JK

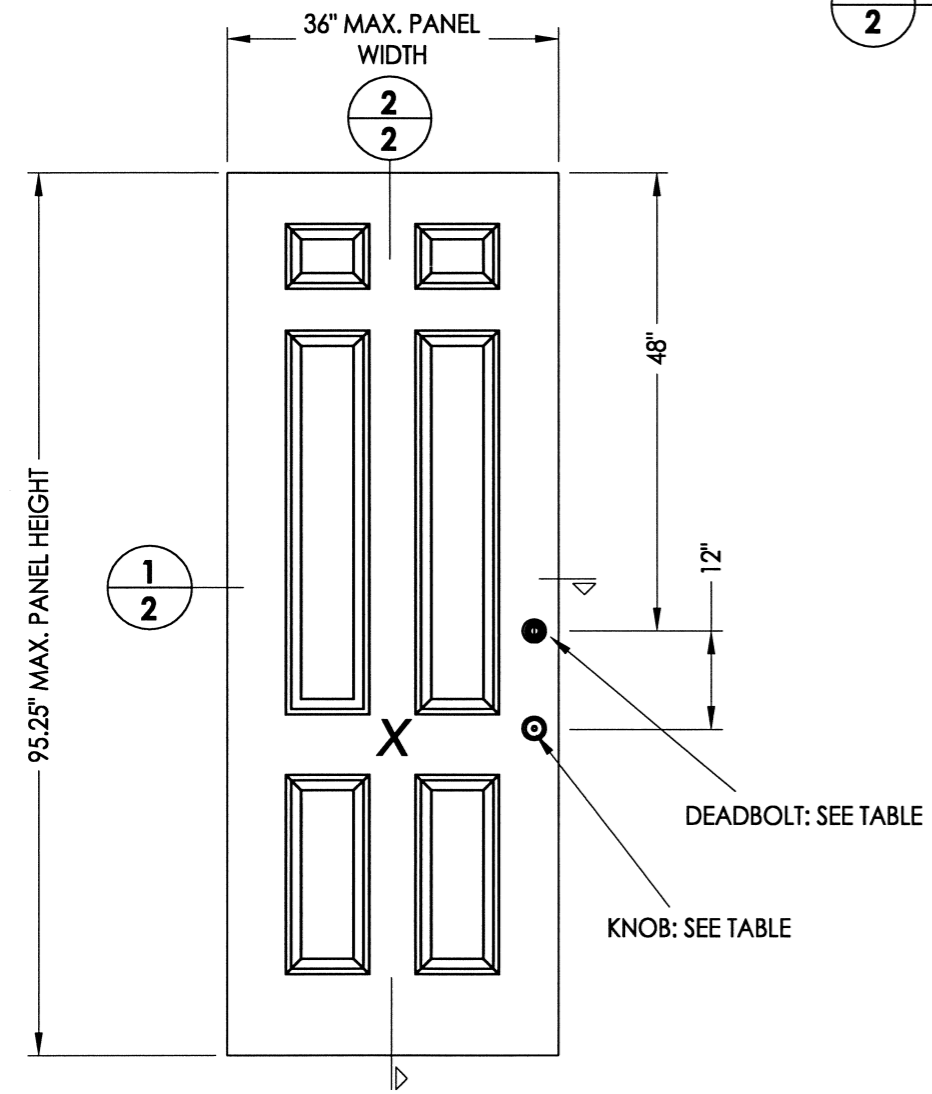
CHK. BY: LFS

DRAWING NO.: TX-4261

SHEET 1 OF 12

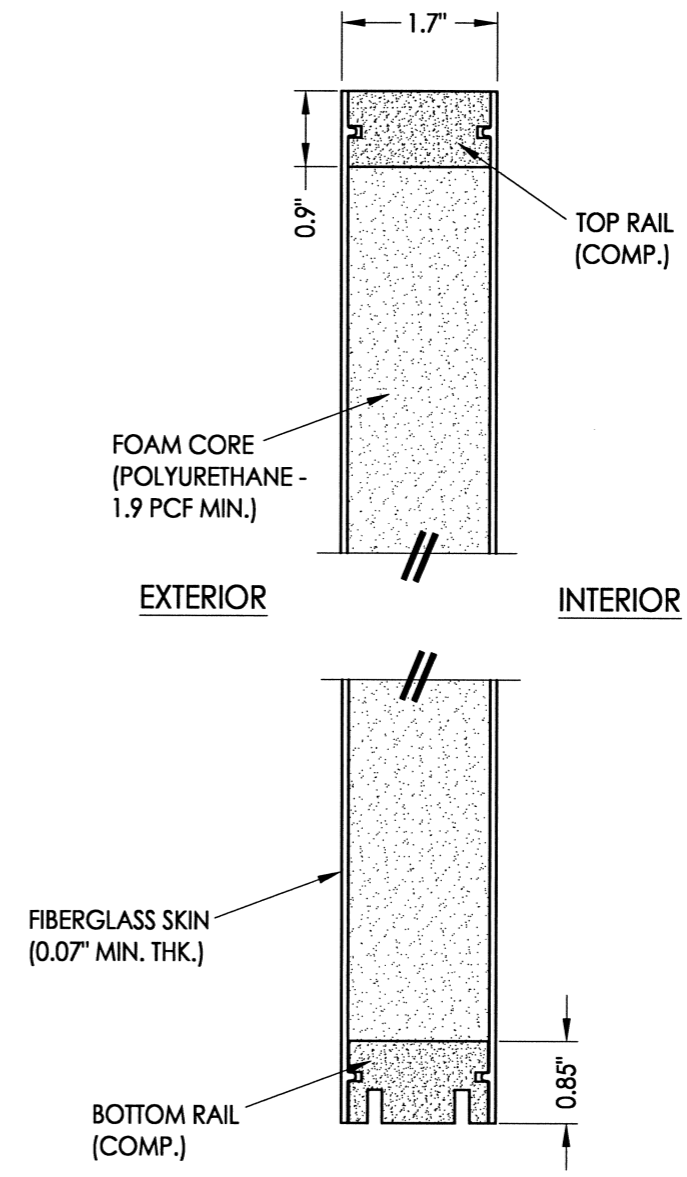


1  
2 **HORIZONTAL CROSS SECTION**

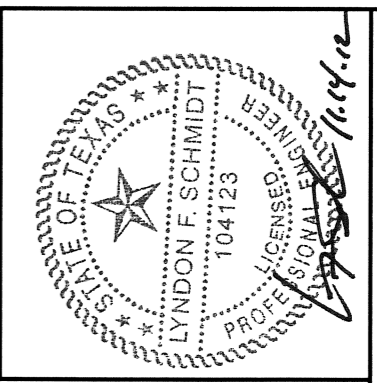


40 **DOOR PANEL**  
Smooth Star/Fiber Classic

HARDWARE TABLE		
MANUFACTURER	MODEL	
KWIKSET	KNOB:	SIGNATURE SERIES
	DEADBOLT:	SIGNATURE SERIES (980)
SCHLAGE	KNOB:	"F" SERIES
	DEADBOLT:	"B" SERIES



2  
2 **VERTICAL CROSS SECTION**



Documents Prepared By: Lyndon F. Schmidt, P.E.  
TEXAS P.E. #104123

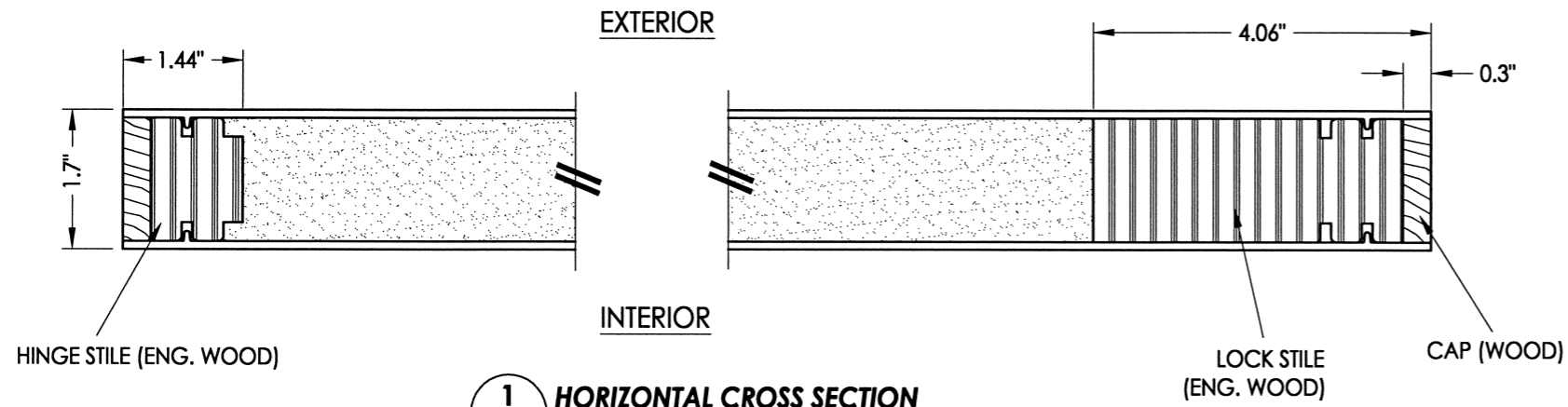
**RW** BUILDING CONSULTANTS, INC.  
P.O. Box 230 Valrico FL 33595  
Phone No.: 813.659.9197

TEXAS BOARD OF PROFESSIONAL ENGINEERS  
CERTIFICATE OF REGISTRATION # F-11852

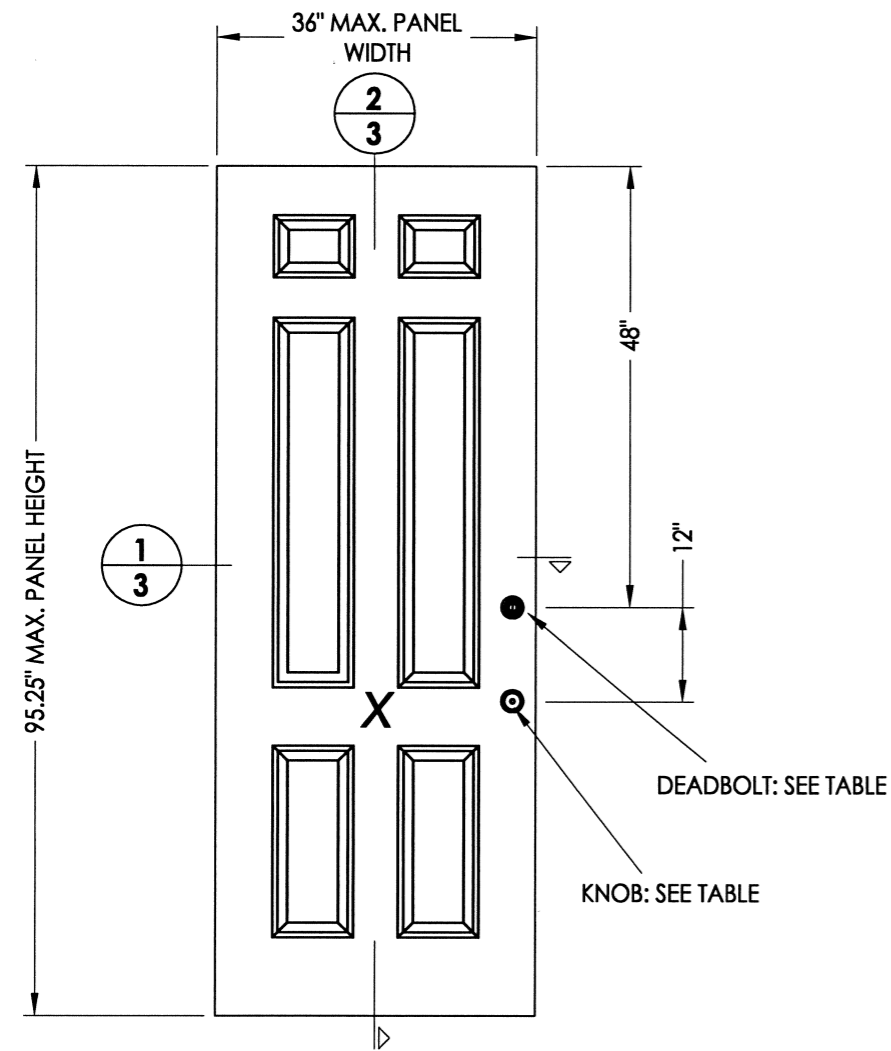
PRODUCT:	THERMA-TRU FIBERGLASS DOOR
PART OR ASSEMBLY:	DOOR PANEL DETAILS

NO.	DATE	BY	REVISIONS

DATE:	10/08/12
SCALE:	N.T.S.
DWG. BY:	JK
CHK. BY:	LFS
DRAWING NO.:	TX-4261
SHEET	2 of 12

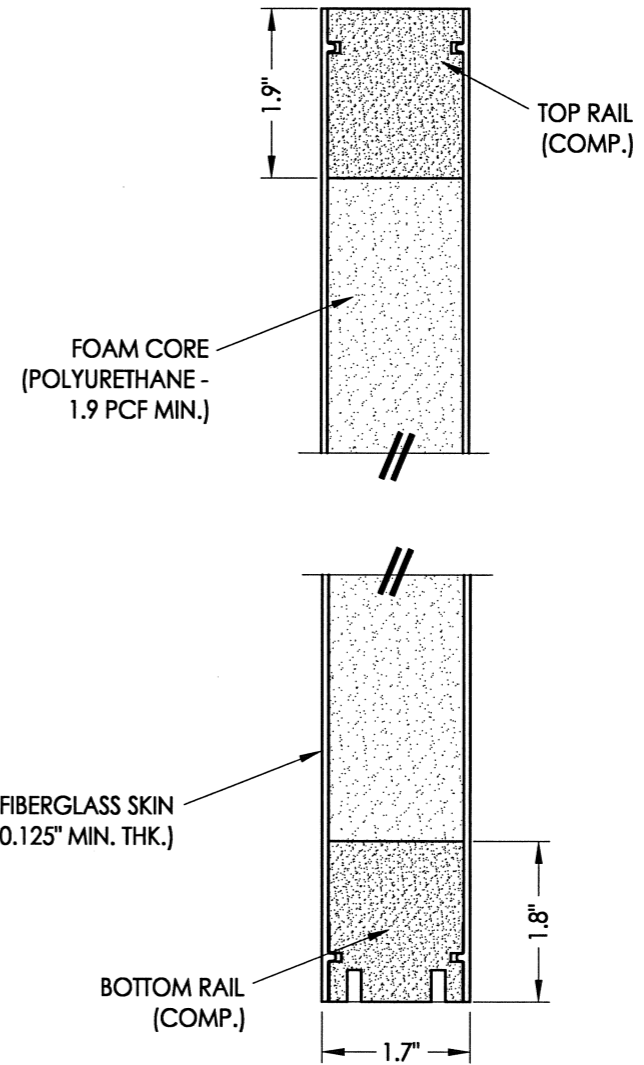


1  
3 **HORIZONTAL CROSS SECTION**

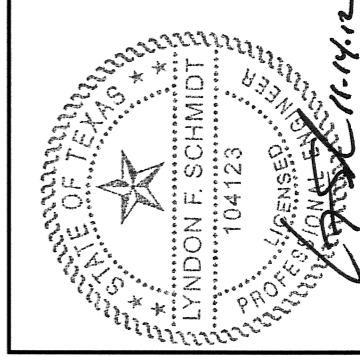


41 **DOOR PANEL**  
Classic Craft

HARDWARE TABLE		
MANUFACTURER	MODEL	
KWIKSET	KNOB:	SIGNATURE SERIES
	DEADBOLT:	SIGNATURE SERIES (980)
SCHLAGE	KNOB:	"F" SERIES
	DEADBOLT:	"B" SERIES



2  
3 **VERTICAL CROSS SECTION**



Documents Prepared By: Lyndon F. Schmidt, P.E.  
TEXAS P.E. #104123

**RW** BUILDING CONSULTANTS, INC.  
P.O. Box 230 Vairico FL 33595  
Phone No.: 813.659.9197

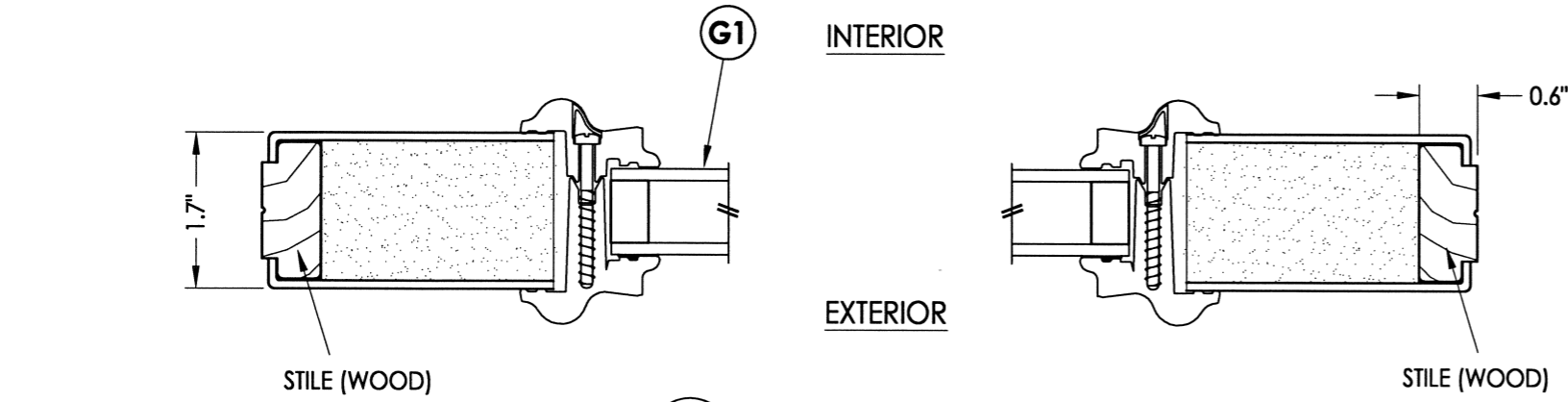
TEXAS BOARD OF PROFESSIONAL ENGINEERS  
CERTIFICATE OF REGISTRATION # F-11852

PRODUCT: THERMA-TRU  
FIBERGLASS DOOR

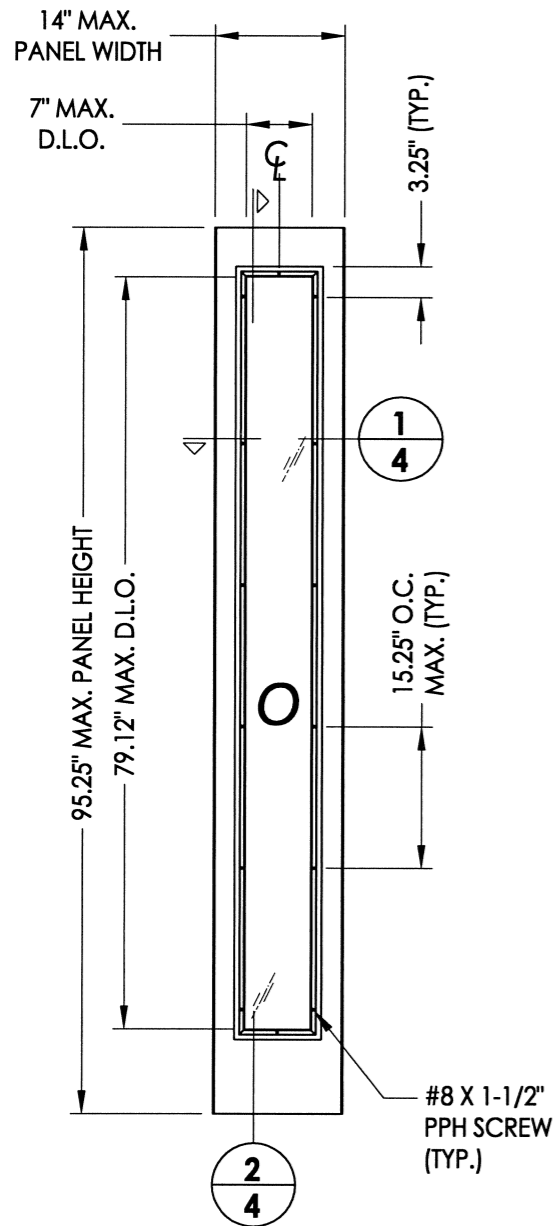
PART OR ASSEMBLY:  
DOOR PANEL DETAILS

NO.	DATE	BY

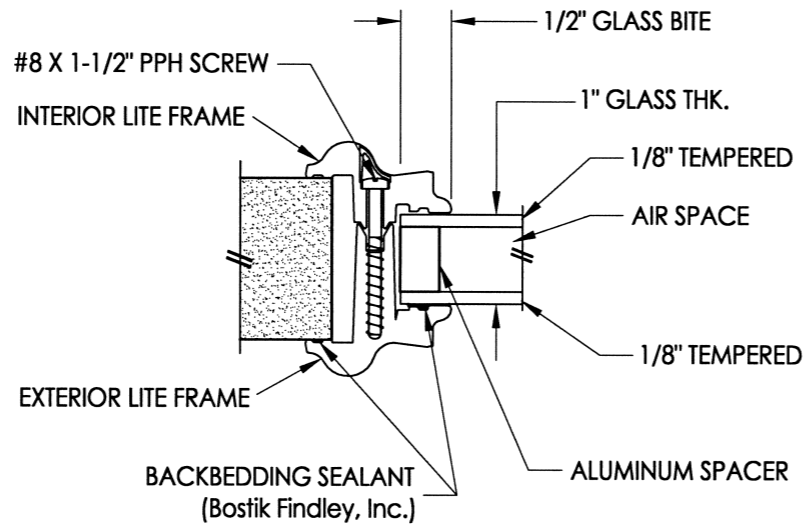
DATE: 10/08/12  
SCALE: N.T.S.  
DWG. BY: JK  
CHK. BY: LFS  
DRAWING NO.: TX-4261  
SHEET 3 OF 12



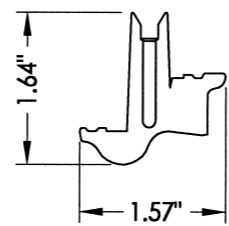
**1**  
**3** HORIZONTAL CROSS SECTION



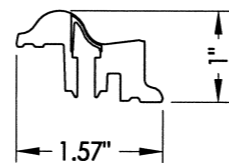
**50** SIDELITE PANEL  
Smooth Star/Fiber Classic



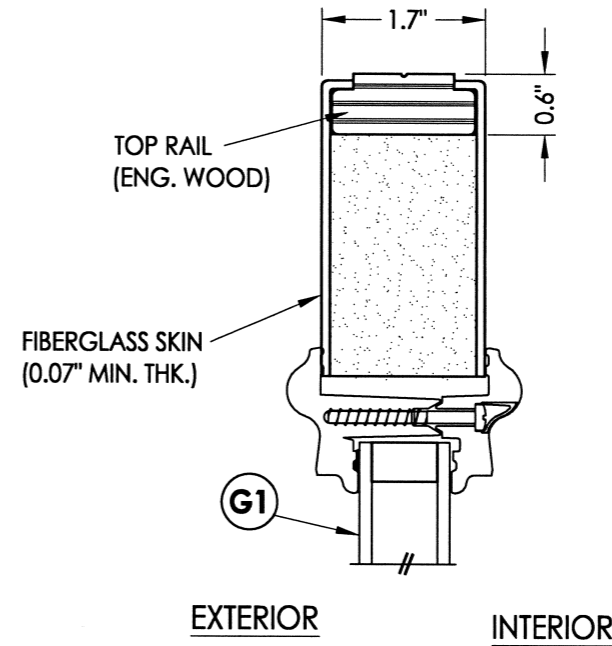
**G1** GLAZING DETAIL  
BTS Lip Lite Frame



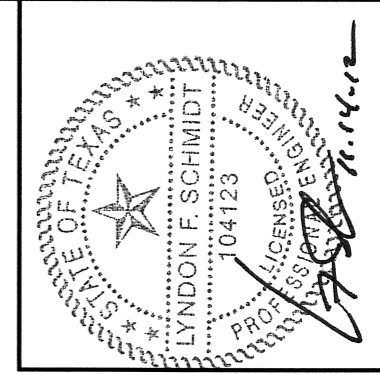
EXTERIOR LITE FRAME  
BTS



INTERIOR LITE FRAME  
BTS



**2**  
**4** VERTICAL CROSS SECTION



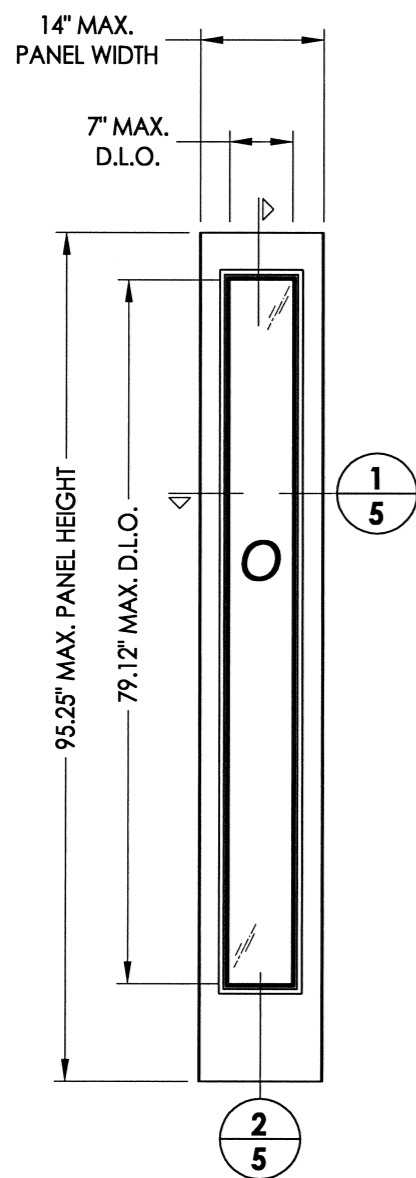
Documents Prepared By: Lyndon F. Schmidt, P.E.  
TEXAS P.E. #104123

**RW** BUILDING CONSULTANTS, INC.  
P.O. Box 230 Valrico FL, 33595  
Phone No.: 813.659.9197  
TEXAS BOARD OF PROFESSIONAL ENGINEERS  
CERTIFICATE OF REGISTRATION # F-11852

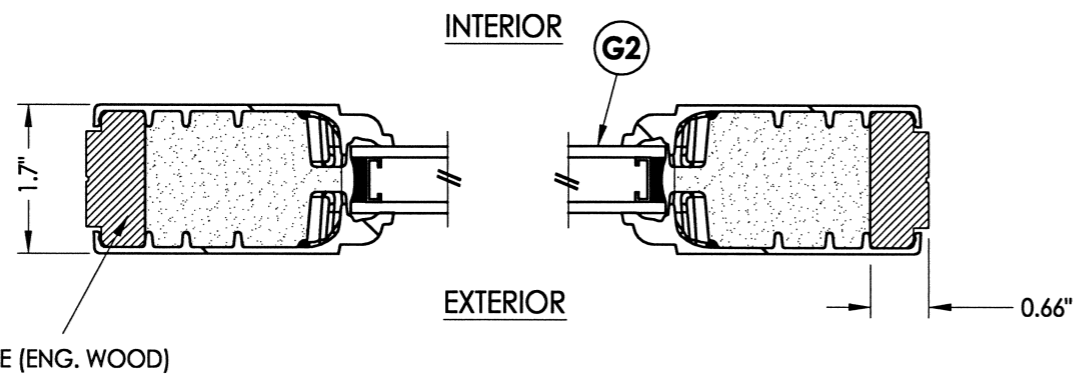
PRODUCT: THERMA-TRU  
FIBERGLASS DOOR  
PART OR ASSEMBLY:  
SIDELITE PANEL & GLAZING DETAIL  
(SMOOTH STAR/FIBER CLASSIC)

NO.	DATE	BY	REVISIONS

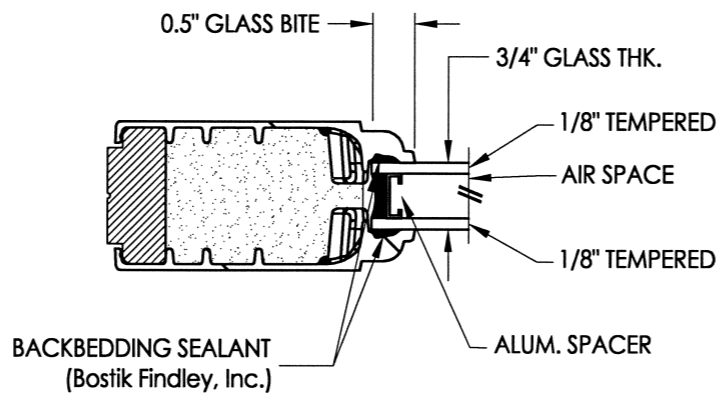
DATE: 10/08/12  
SCALE: N.T.S.  
DWG. BY: JK  
CHK. BY: LFS  
DRAWING NO.: TX-4261  
SHEET 4 OF 12



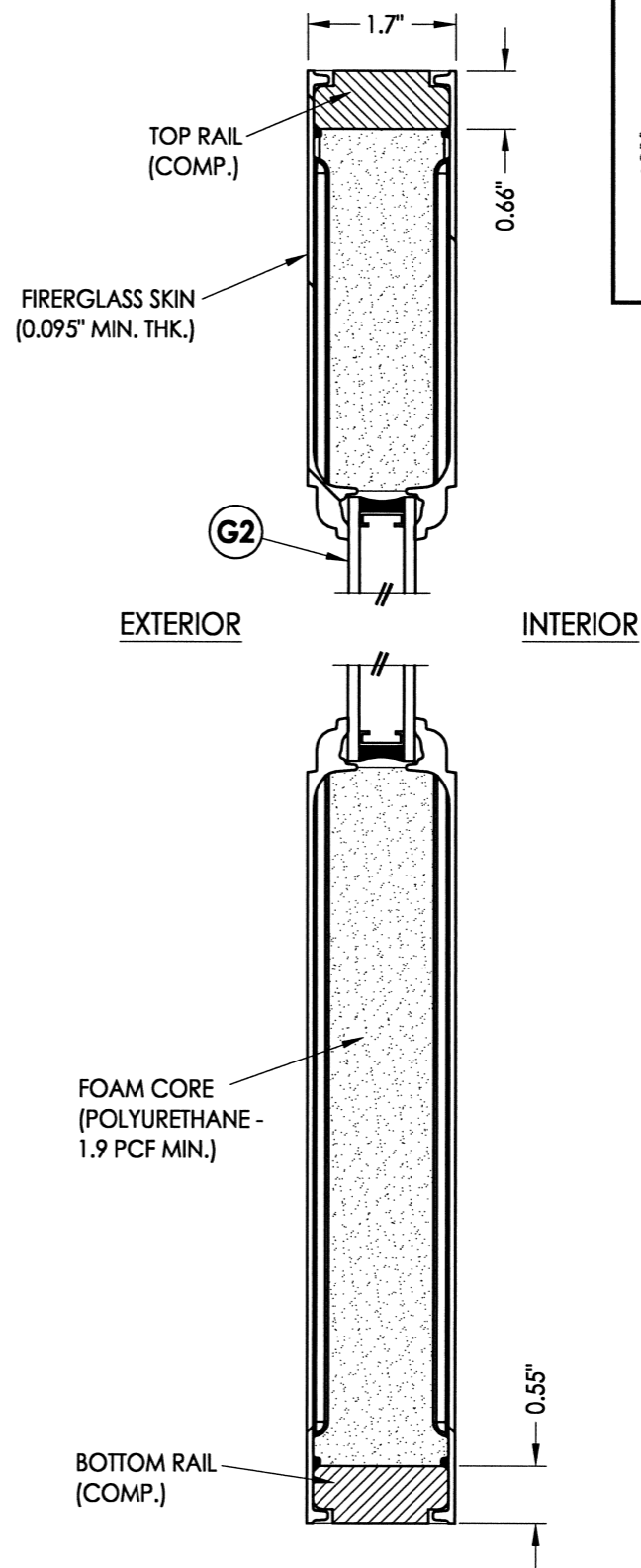
**51 SIDELITE PANEL**  
Classic Craft



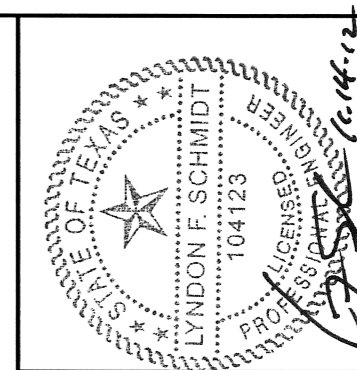
**1/5 HORIZONTAL CROSS SECTION**



**G2 GLAZING DETAIL**  
Flush Glazed



**2/5 VERTICAL CROSS SECTION**



Documents Prepared By: Lyndon F. Schmidt, P.E.  
TEXAS P.E. #104123

**RW** BUILDING CONSULTANTS, INC.  
P.O. Box 230 Valrico FL 33595  
Phone No.: 813.659.9197

TEXAS BOARD OF PROFESSIONAL ENGINEERS  
CERTIFICATE OF REGISTRATION # F-11852

PRODUCT:	THERMA-TRU FIBERGLASS DOOR
PART OR ASSEMBLY:	SIDELITE PANEL & GLAZING DETAIL (CLASSIC CRAFT)

NO.	DATE	BY	REVISIONS

DATE: 10/08/12

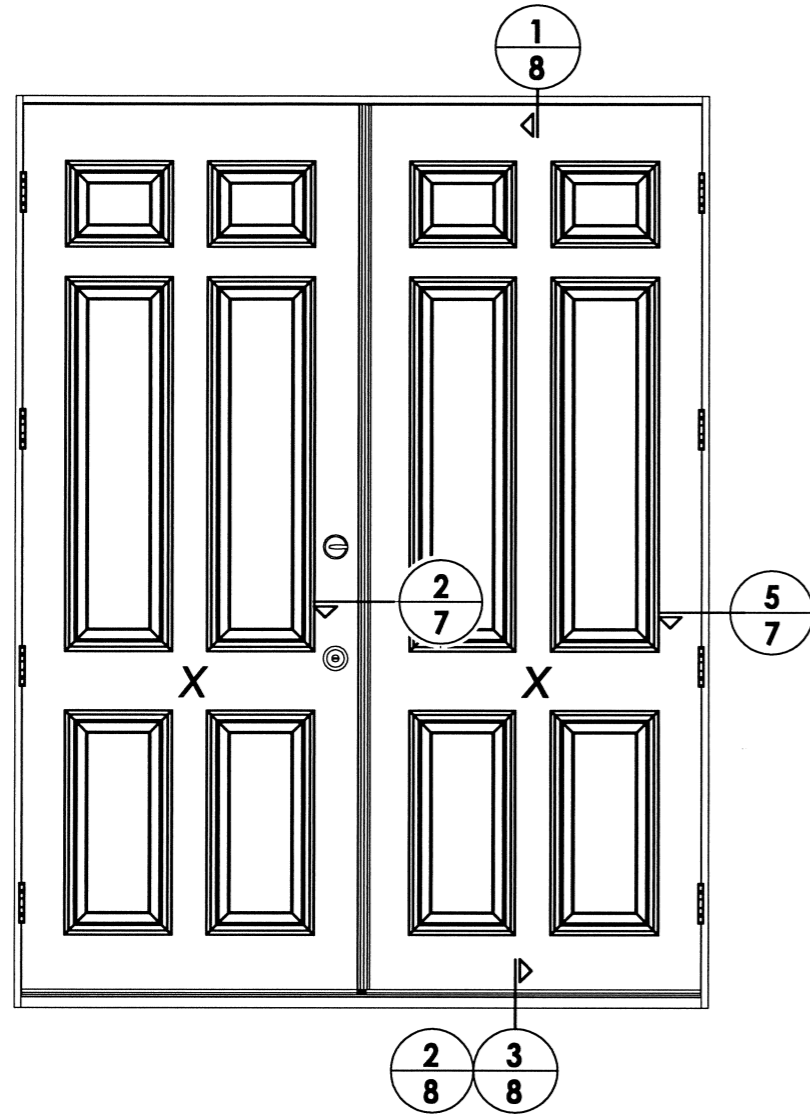
SCALE: N.T.S.

DWG. BY: JK

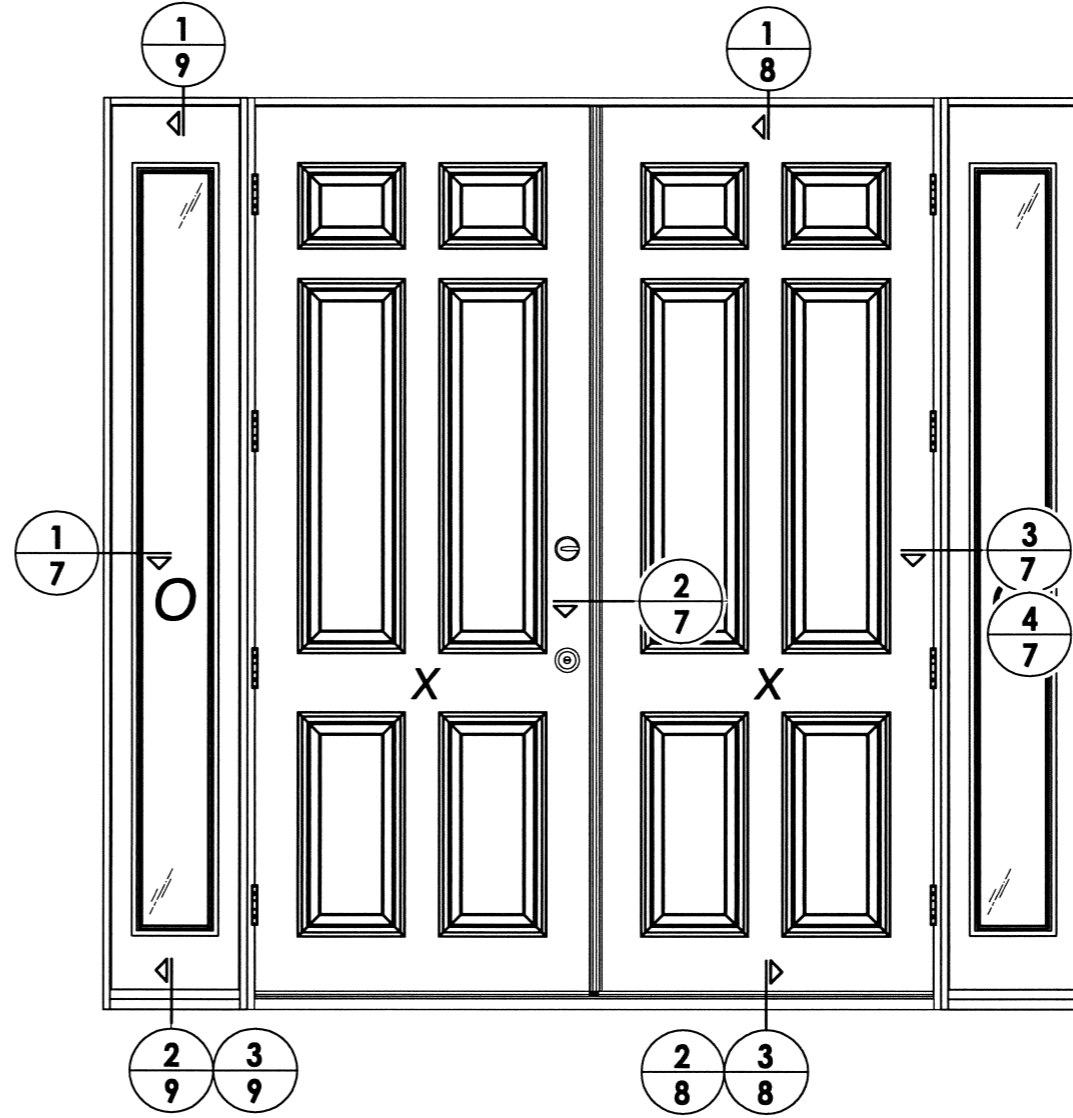
CHK. BY: LFS

DRAWING NO.: TX-4261

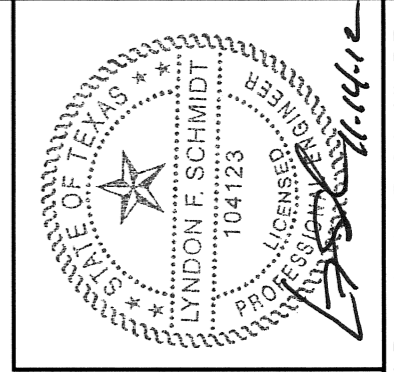
SHEET 5 OF 12



ELEVATION (XX)



ELEVATION (OXXO)



Documents Prepared By: Lyndon F. Schmidt, P.E.  
TEXAS P.E. #104123

**RW** BUILDING CONSULTANTS, INC.  
P.O. Box 230 Valrico FL 33595  
Phone No.: 813.659.9197

TEXAS BOARD OF PROFESSIONAL ENGINEERS  
CERTIFICATE OF REGISTRATION # F-11852

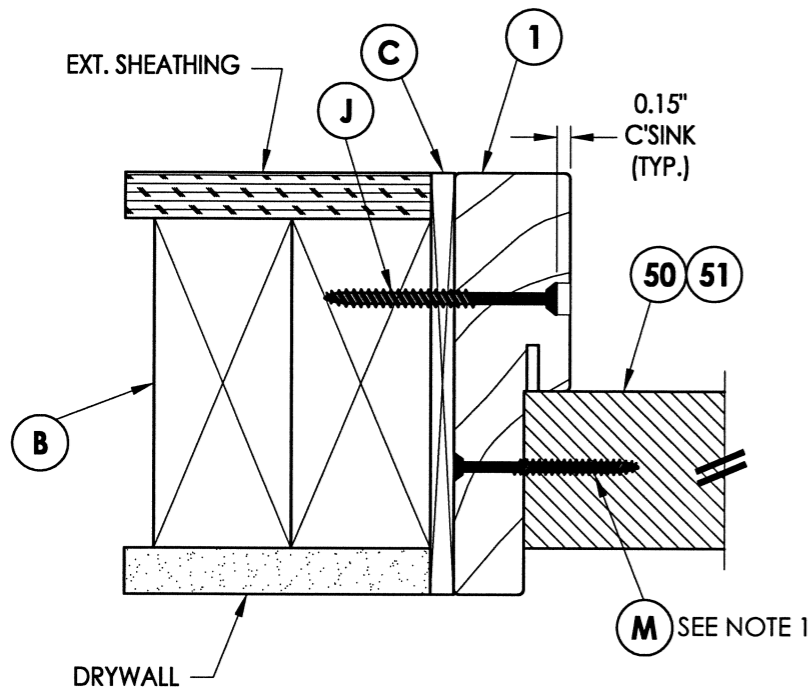
PRODUCT: THERMA-TRU  
FIBERGLASS DOOR

PART OR ASSEMBLY:  
ELEVATIONS

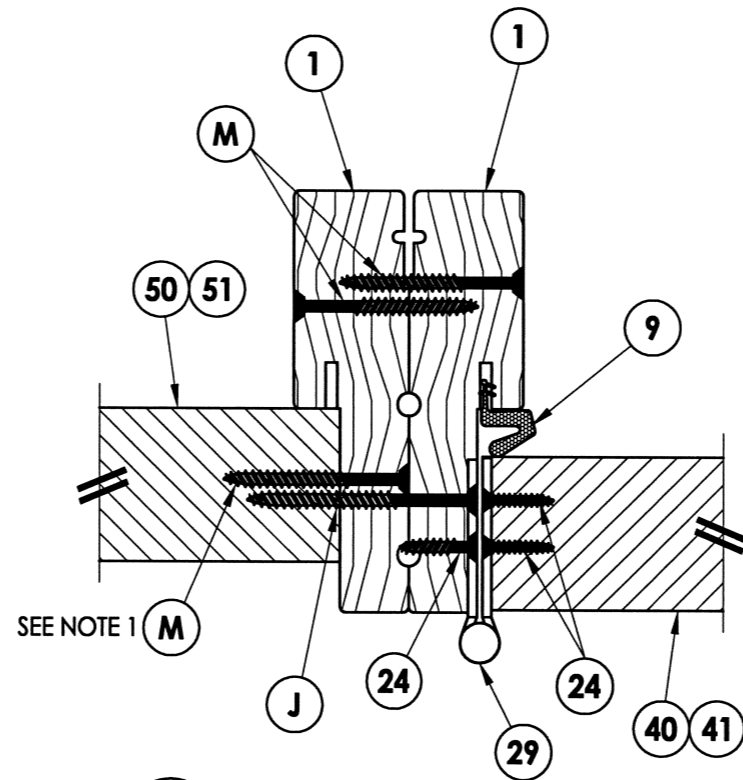
NO.	DATE	BY

DATE: 10/08/12  
SCALE: N.T.S.  
DWG. BY: JK  
CHK. BY: LFS  
DRAWING NO.: TX-4261  
SHEET 6 OF 12

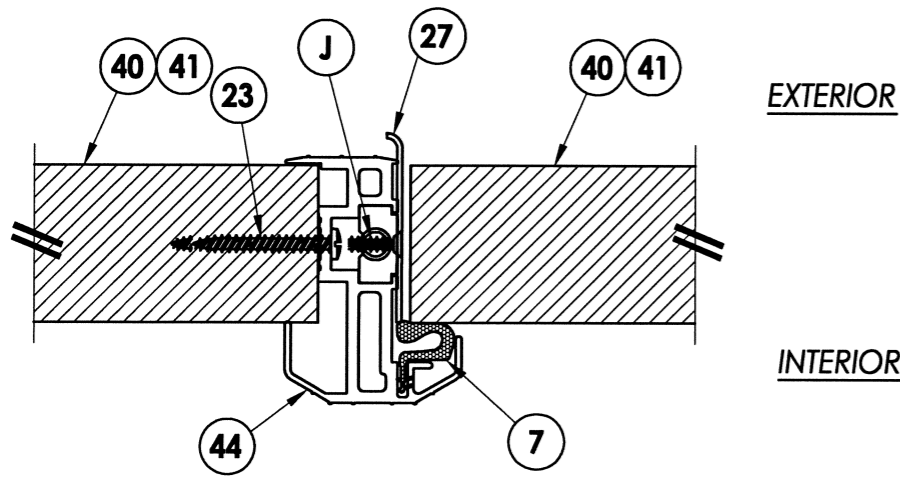
R:\A - Projects\Project Folders\Proj\_1601 - 1700\PE\_1694.D\_RWBC Drawings\Texas 2012\TX-4260-61.dwg\_7.2



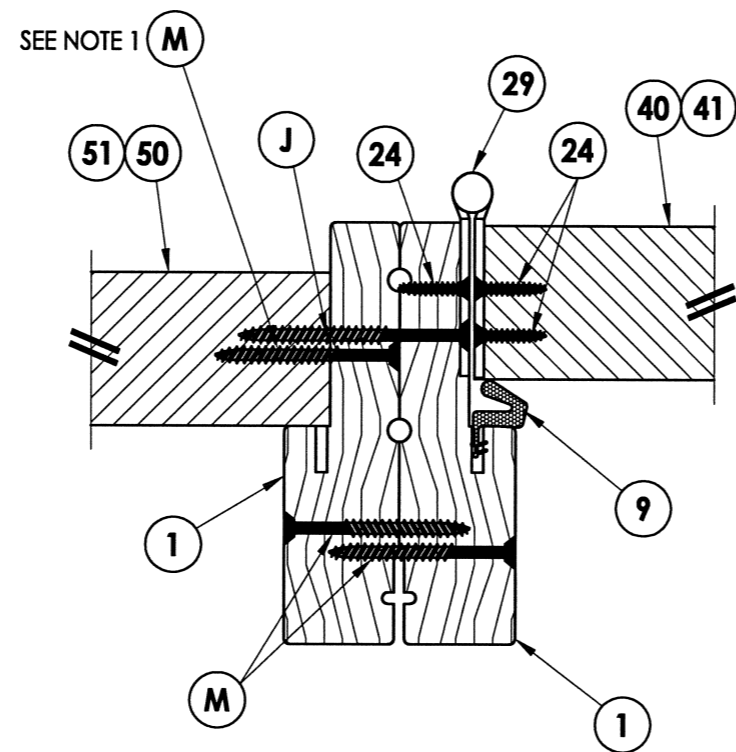
**1** HORIZONTAL CROSS SECTION  
**7** Inswing shown - Outswing also approved



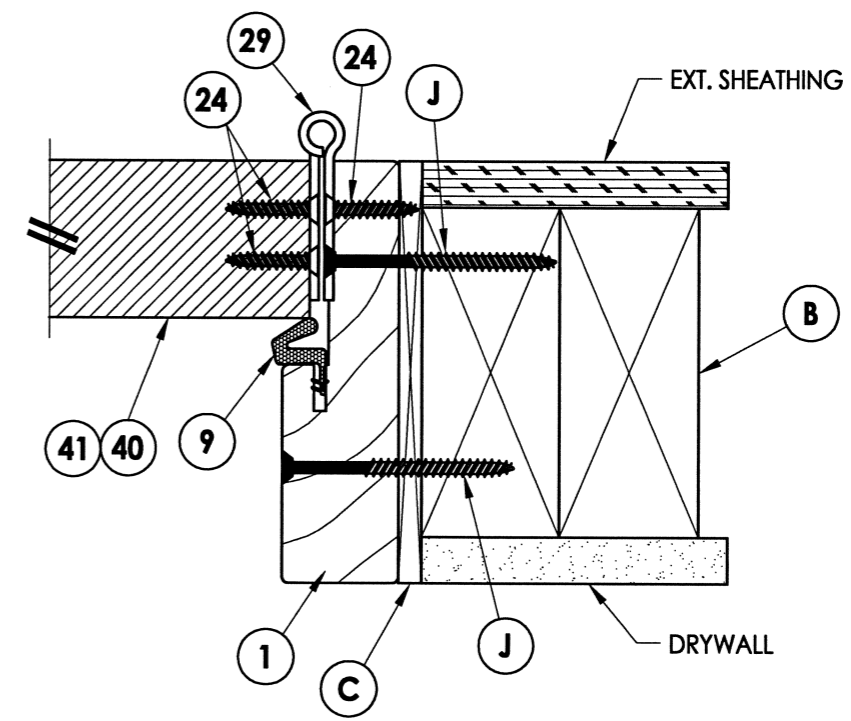
**3** HORIZONTAL CROSS SECTION  
**7** Inswing shown



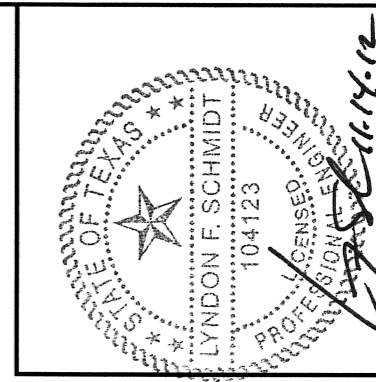
**2** HORIZONTAL CROSS SECTION  
**7** Outswing shown - Inswing also approved



**4** HORIZONTAL CROSS SECTION  
**7** Outswing shown



**5** HORIZONTAL CROSS SECTION  
**7** Outswing shown - Inswing also approved



Note:  
 1. Sidelite assembly screws located 6" from each end plus 4 more equally spaced (6 total).

Documents Prepared By: Lyndon F. Schmidt, P.E.  
 TEXAS P.E. #104123

**RW** BUILDING CONSULTANTS, INC.  
 P.O. Box 230 Valrico FL 33595  
 Phone No.: 813.659.9197

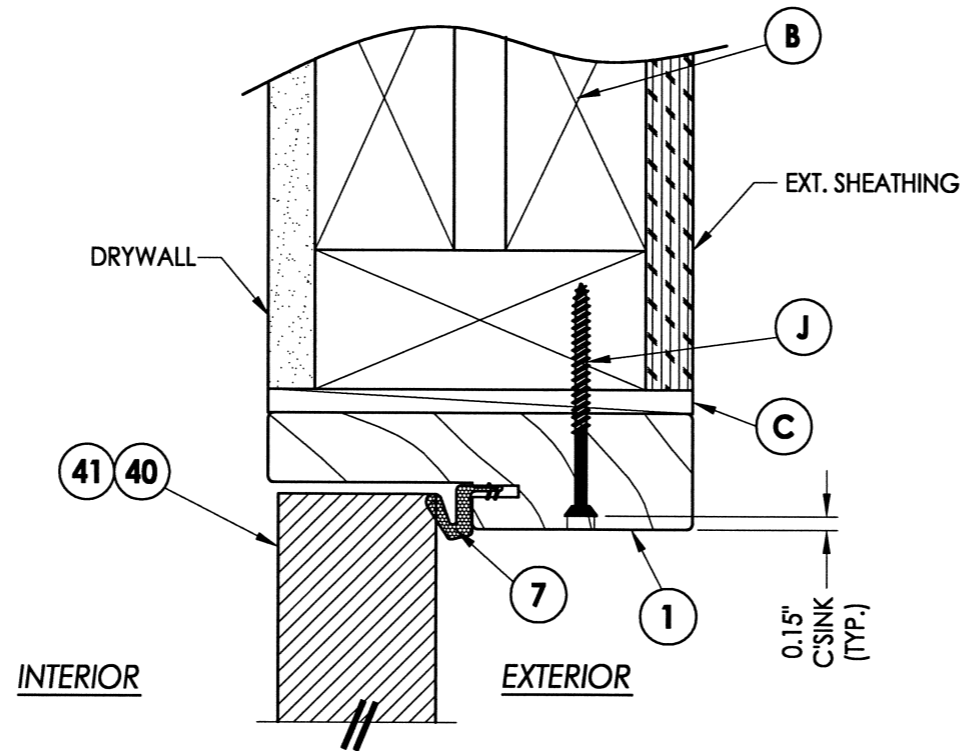
TEXAS BOARD OF PROFESSIONAL ENGINEERS  
 CERTIFICATE OF REGISTRATION # F-11852

PRODUCT: THERMA-TRU FIBERGLASS DOOR  
 PART OR ASSEMBLY: HORIZONTAL CROSS SECTIONS

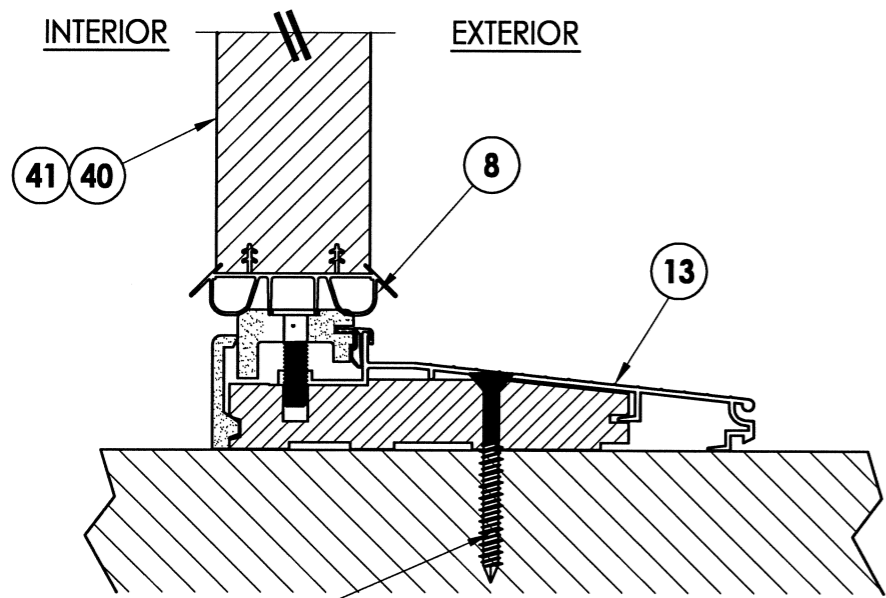
NO.	DATE	BY	REVISIONS

DATE: 10/08/12  
 SCALE: N.T.S.  
 DWG. BY: JK  
 CHK. BY: LFS  
 DRAWING NO.: TX-4261  
 SHEET 7 OF 12

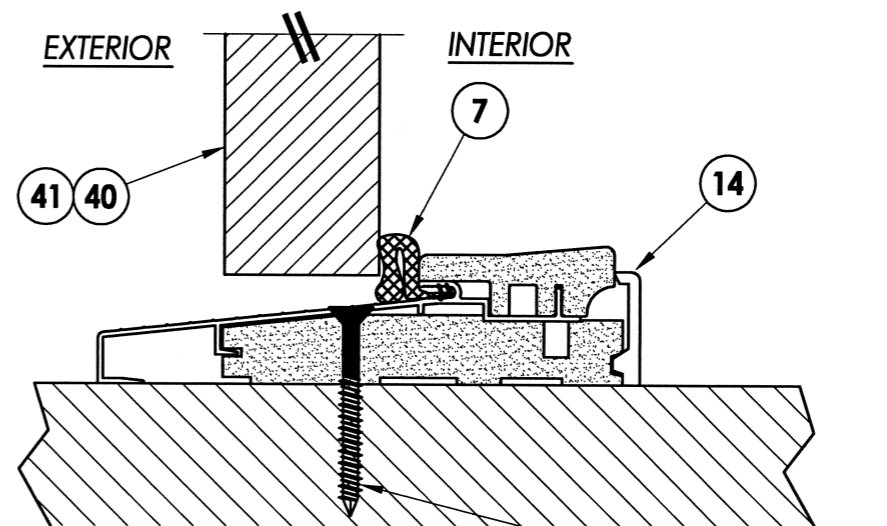
R:\A - Projects\Project Folders\Proj 1601 - 1700\PF 1694\D. RWBC Drawings\Texas 2012\TX-4260-61.dwg, 8.2



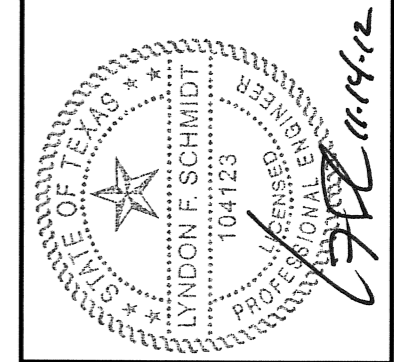
**1** VERTICAL CROSS SECTION  
**8** Inswing shown - Outswing also approved



**2** VERTICAL CROSS SECTION  
**8** Inswing configuration



**3** VERTICAL CROSS SECTION  
**8** Outswing configuration



Documents Prepared By: Lyndon F. Schmidt, P.E.  
 TEXAS P.E. #104123  
**RW** BUILDING CONSULTANTS, INC.  
 P.O. Box 230 Valrico FL, 33595  
 Phone No.: 813.659.9197  
 TEXAS BOARD OF PROFESSIONAL ENGINEERS  
 CERTIFICATE OF REGISTRATION # F-11852

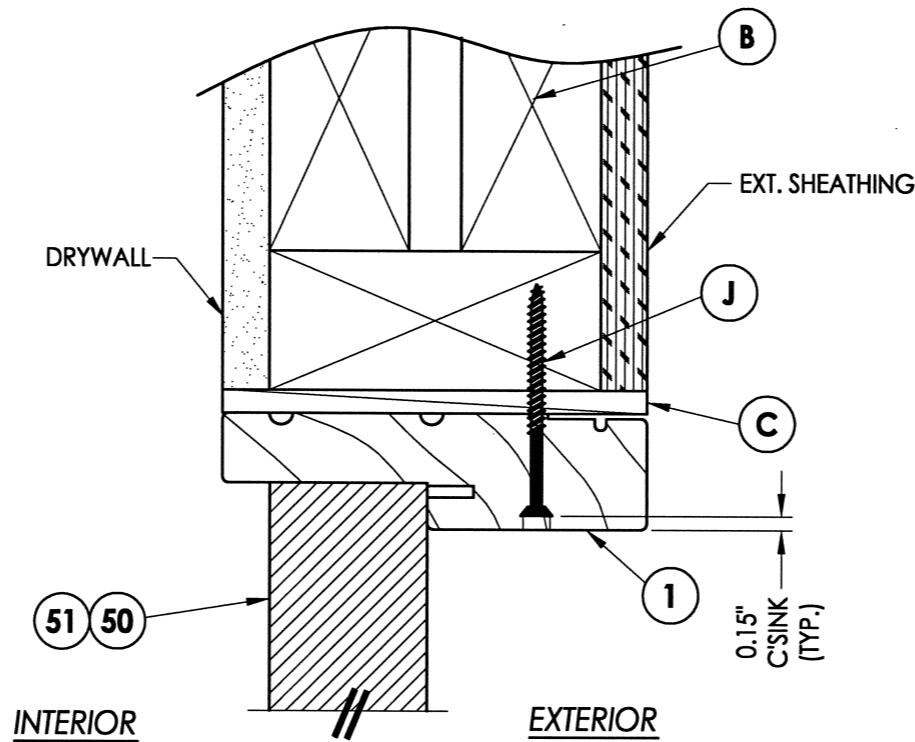
PRODUCT: THERMA-TRU  
 FIBERGLASS DOOR  
 PART OR ASSEMBLY: VERTICAL CROSS SECTIONS

NO.	DATE	BY	REVISIONS

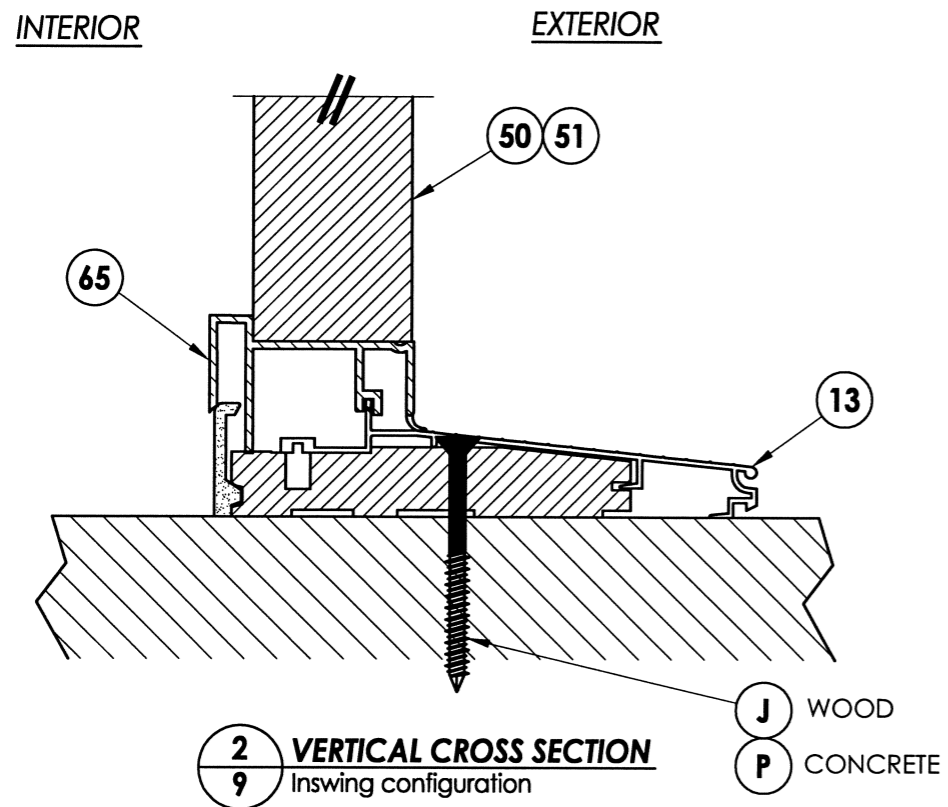
DATE: 10/08/12  
 SCALE: N.T.S.  
 DWG. BY: JK  
 CHK. BY: LFS  
 DRAWING NO.: TX-4261  
 SHEET 8 OF 12



R:\A - Projects\Project Folders\Proj\_1601 - 1700\PF\_1694\D\_RWBC Drawings\Texas 2012\TX-4260-61.dwg\_9.2

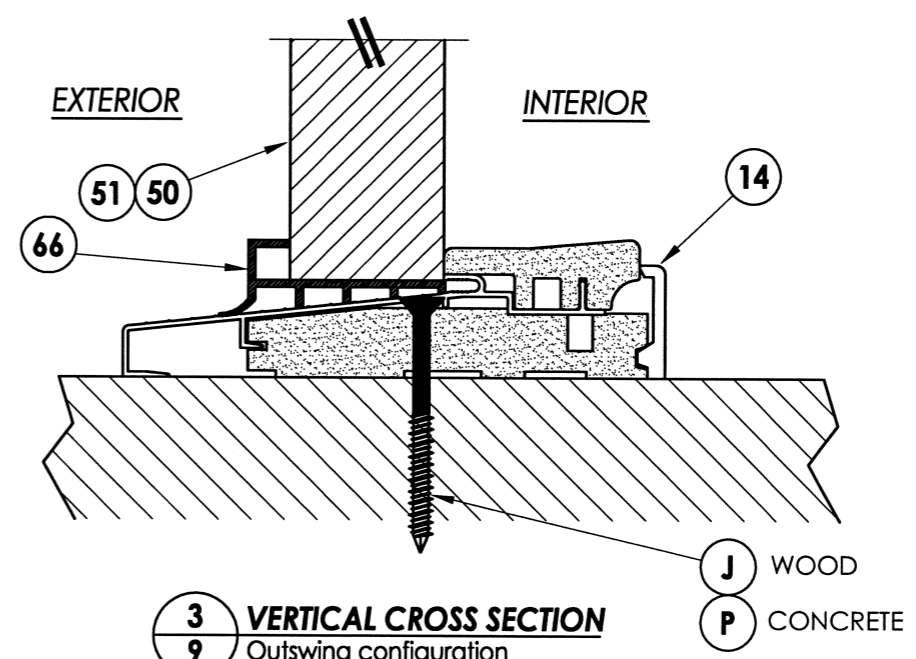


**1 VERTICAL CROSS SECTION**  
 9 Inswing shown - Outswing also approved



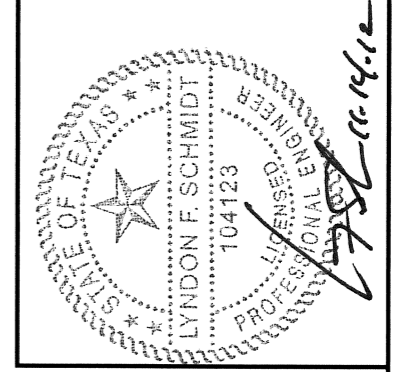
**2 VERTICAL CROSS SECTION**  
 9 Inswing configuration

J WOOD  
 P CONCRETE



**3 VERTICAL CROSS SECTION**  
 9 Outswing configuration

J WOOD  
 P CONCRETE



Documents Prepared By: Lyndon F. Schmidt, P.E.  
 TEXAS P.E. #104123

**RW** BUILDING CONSULTANTS, INC.  
 P.O. Box 230 Vairco FL 33595  
 Phone No.: 813.659.9197

TEXAS BOARD OF PROFESSIONAL ENGINEERS  
 CERTIFICATE OF REGISTRATION # F-11852

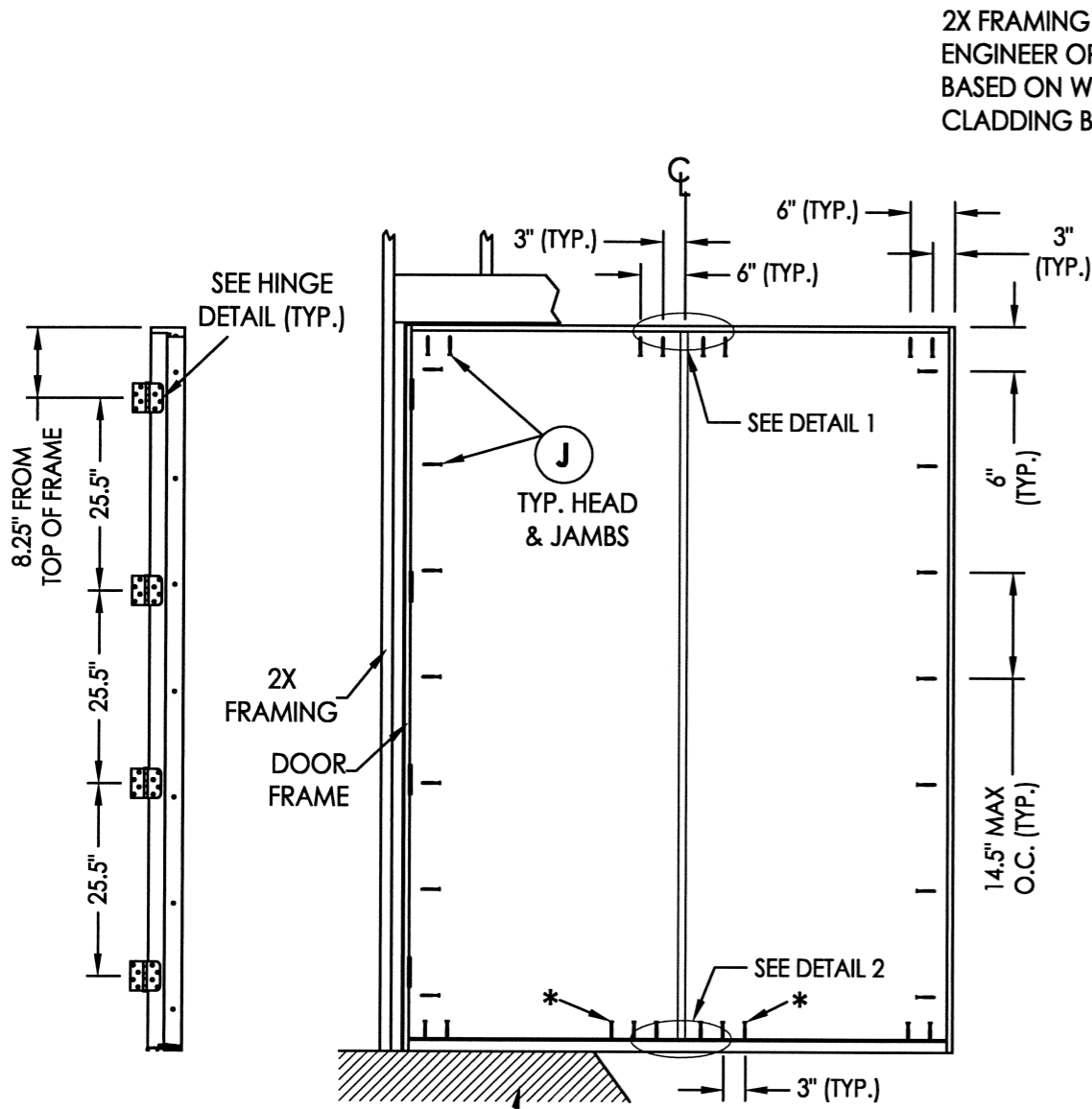
PRODUCT: THERMA-TRU  
 FIBERGLASS DOOR

PART OR ASSEMBLY: VERTICAL CROSS SECTIONS

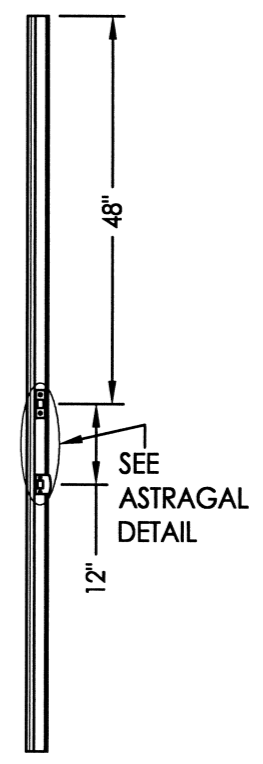
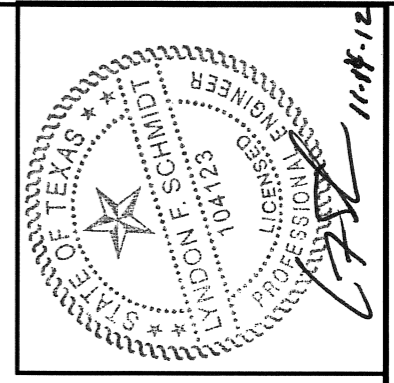
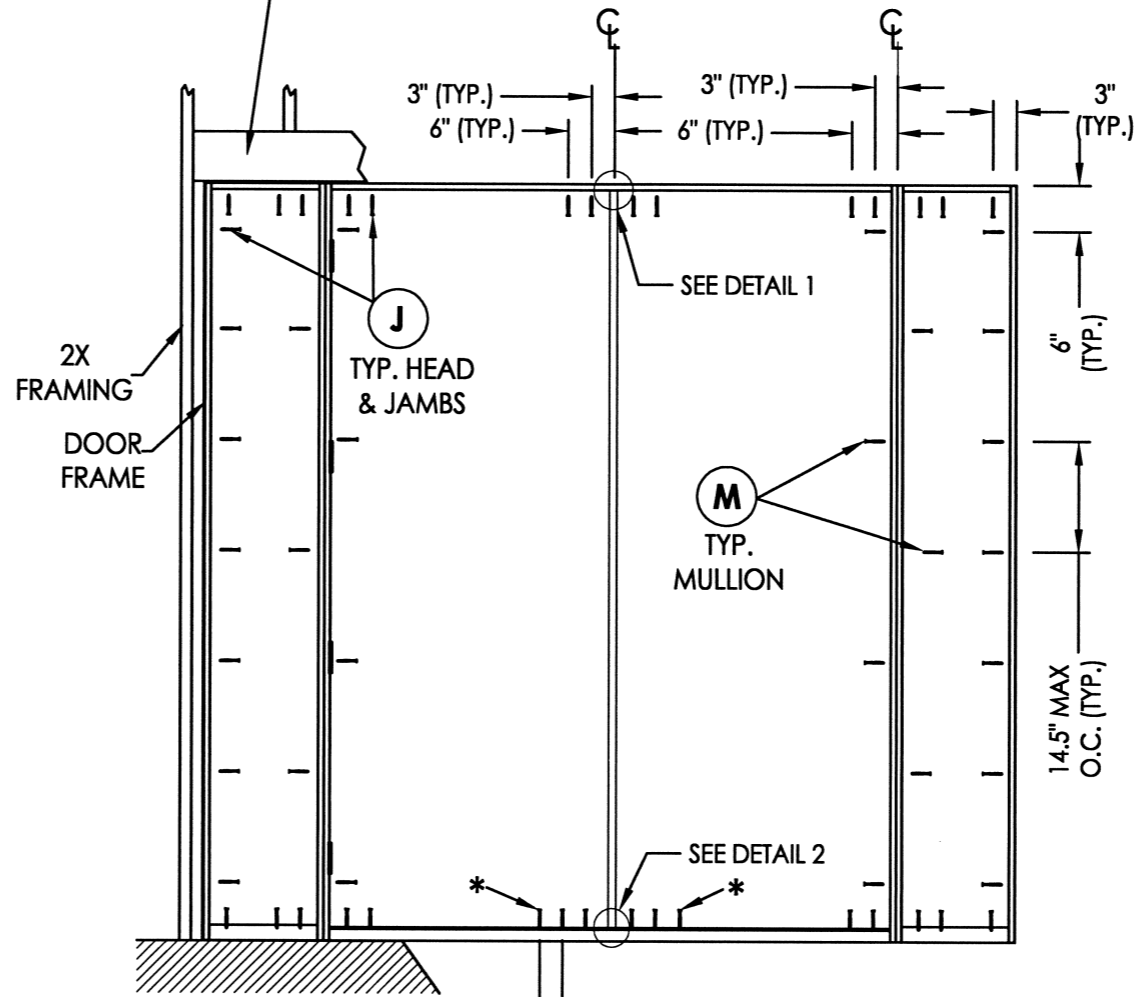
NO.	DATE	BY	REVISIONS

DATE: 10/08/12  
 SCALE: N.T.S.  
 DWG. BY: JK  
 CHK. BY: LFS  
 DRAWING NO.: TX-4261  
 SHEET 9 OF 12

R:\A - Projects\Project Folders\Proj 1601 - 1700\PF 1694\D. RWBC Drawings\Texas 2012\TX-4260-61.dwg, 10.2



2X FRAMING TO BE DESIGNED BY THE ENGINEER OR ARCHITECT OF RECORD BASED ON WIND LOADS AND THE CLADDING BEING USED (TYP.).



**HINGE JAMB**

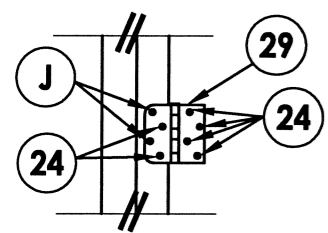
**FRAME ANCHORING**  
XX

**FRAME ANCHORING**  
OXXO

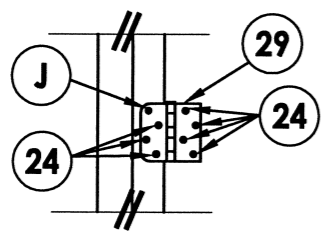
**ASTRAGAL STRIKE**

FLOOR SUBSTRATE MATERIAL (TYP.)  
CONCRETE (MIN. 3000 PSI)  
WOOD (S.G. >= 0.42)

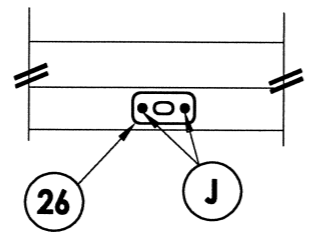
\*This anchor required for D.P > 40 psf.



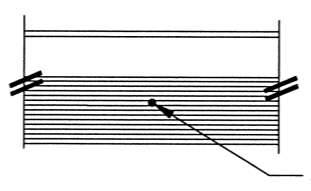
**HINGE DETAIL**  
Inswing



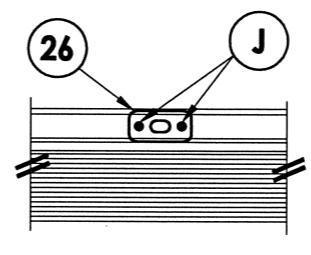
**HINGE DETAIL**  
Outswing



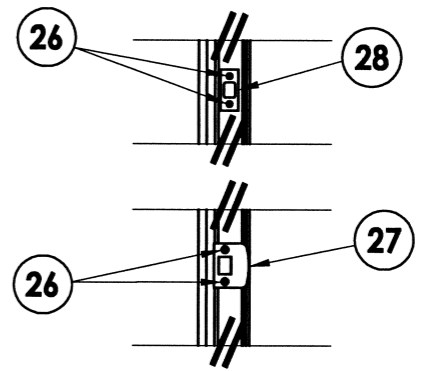
**DETAIL 1**  
Astragal Strike Plate



**DETAIL 2**  
Astragal throw bolt hole  
Outswing



**DETAIL 2**  
Astragal Strike Plate  
Inswing



**ASTRAGAL DETAIL**  
@ Strike

Documents Prepared By: Lyndon F. Schmidt, P.E.  
TEXAS P.E. #104123

**RW** BUILDING CONSULTANTS, INC.  
P.O. Box 230 Valrico FL 33595  
Phone No.: 813.659.9197

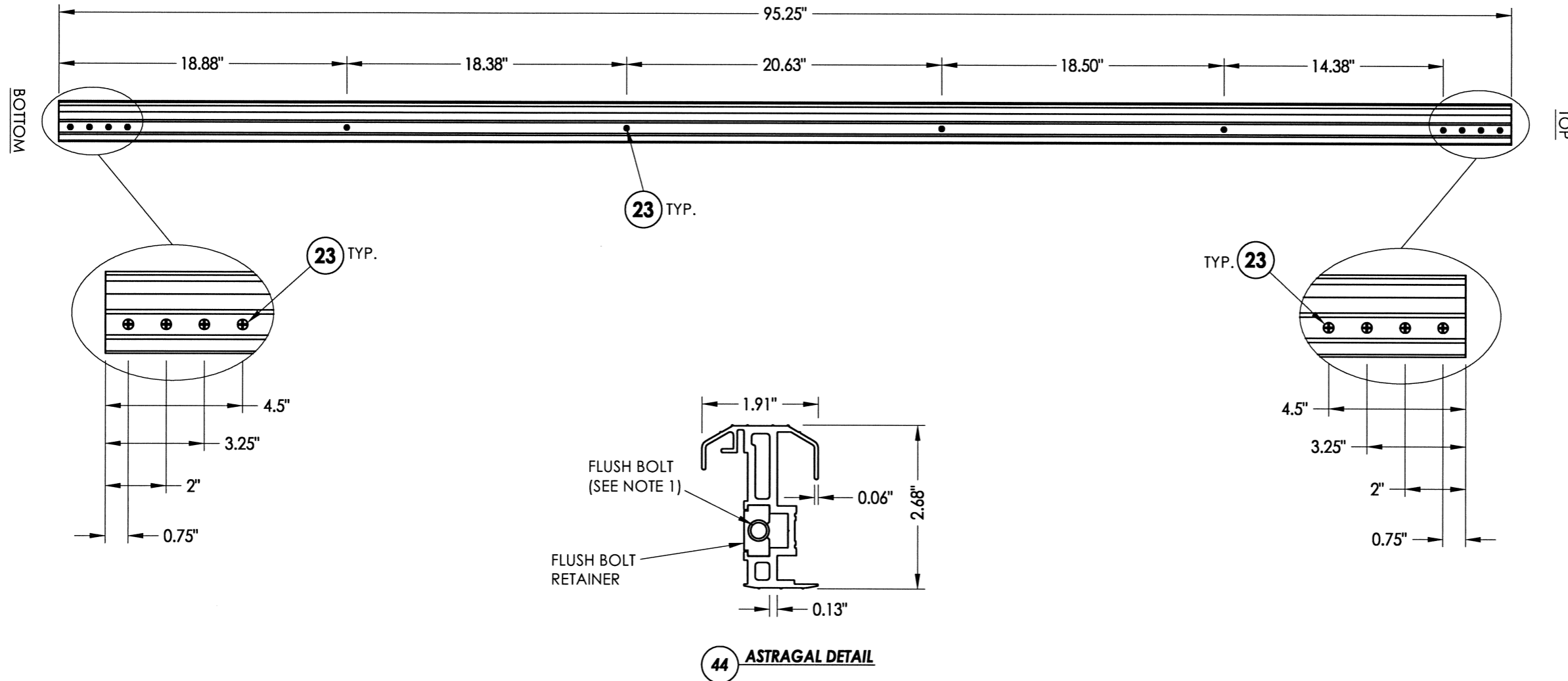
TEXAS BOARD OF PROFESSIONAL ENGINEERS  
CERTIFICATE OF REGISTRATION # F-11852

PRODUCT: THERMA-TRU FIBERGLASS DOOR

PART OR ASSEMBLY: FRAME ANCHORING

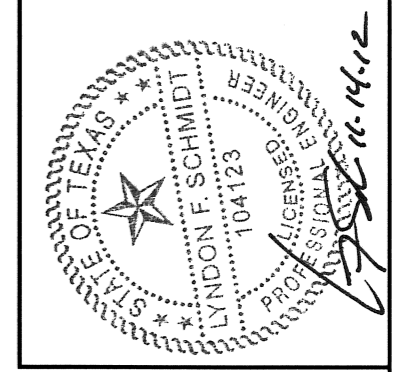
REVISIONS	
NO.	DATE

DATE: 10/08/12  
SCALE: N.T.S.  
DWG. BY: JK  
CHK. BY: LFS  
DRAWING NO.: TX-4261  
SHEET 10 OF 12



**NOTE:**

1. THE ASTRAGAL BOLT HAS A 3" THROW AT THE TOP AND AT THE BOTTOM.



Documents Prepared By: Lyndon F. Schmidt, P.E.  
TEXAS P.E. #104123

**RW** BUILDING CONSULTANTS, INC.  
P.O. Box 230 Valrico FL 33595  
Phone No.: 813.659.9197

TEXAS BOARD OF PROFESSIONAL ENGINEERS  
CERTIFICATE OF REGISTRATION # F-11852

PRODUCT: THERMA-TRU FIBERGLASS DOOR

PART OR ASSEMBLY: ASTRAGAL DETAILS

NO.	DATE	BY	REVISIONS

DATE: 10/08/12

SCALE: N.T.S.

DWG. BY: JK

CHK. BY: LFS

DRAWING NO.: TX-4261

SHEET 11 OF 12

R:\A - Projects\Project Folders\Proj 1601 - 1700\PF 1694\D. RWBC Drawings\Texas 2012\TX-4260-61.dwg, 12.

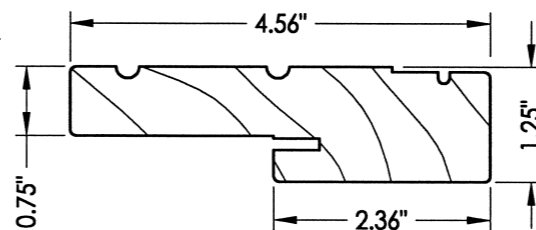
**BILL OF MATERIALS**

ITEM #	DESCRIPTION	MATERIAL
B	2X BUCK (SG >= 0.42)	WOOD
C	1/4" MAX. SHIM SPACE	-
J	#10 X 2-1/2" PFH WOOD SCREW (MIN. EMB. = 1.15" HEAD/JAMBS, 1-1/2" SILL)	STEEL
M	#10 X 2" PFH WOOD SCREW	STEEL
P	1/4" PFH ELCO OR ITW CONCRETE SCREW (1-3/4" MIN. EMB.)	STEEL
1	JAMB - FINGER JOINTED PINE	WOOD
7	WEATHERSTRIP (Long Reach by Therma-Tru)	FOAM
8	SWEEP	VINYL
9	WEATHERSTRIP (Medium Reach by Therma-Tru)	FOAM
13	INSWING THRESHOLD	ALUM/COMP
14	OUTSWING THRESHOLD	ALUM/COMP
23	#10 X 1-1/2" PH SMS	STEEL
24	#10 x 1" PFH WOOD SCREW	STEEL
26	ASTRAGAL STRIKE PLATE	STEEL
27	LATCH STRIKE PLATE	STEEL
28	DEADBOLT STRIKE PLATE	STEEL
29	4" X 4" HINGE	STEEL
40	DOOR PANEL (SMOOTH STAR/FIBER CLASSIC)	-
41	DOOR PANEL (CLASSIC CRAFT)	-
44	HURRICANE ASTRAGAL	-
50	SIDELITE PANEL (SMOOTH STAR/FIBER CLASSIC)	-
51	SIDELITE PANEL (CLASSIC CRAFT)	-
65	INSWING SIDELITE ADAPTER	PVC
66	OUTSWING SIDELITE ADAPTER	PVC

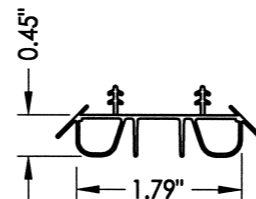
**CONCRETE ANCHOR NOTES:**

- Concrete anchor locations at the corners may be adjusted to maintain the min. edge distance to mortar joints.
- Concrete anchor locations noted as "MAX. ON CENTER" must be adjusted to maintain the min. edge distance to mortar joints, additional concrete anchors may be required to ensure the "MAX. ON CENTER" dimension are not exceeded.
- Concrete anchor table:

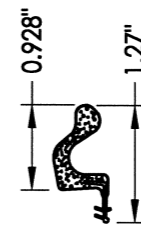
ANCHOR TYPE	ANCHOR SIZE	MIN. EMBEDMENT	MIN. CLEARANCE TO MASONRY EDGE	MIN. CLEARANCE TO ADJACENT ANCHOR
ITW TAPCON®	1/4"	1-3/4"	2-1/2"	3"
ELCO ULTRACON®	1/4"	1-3/4"	1"	3"



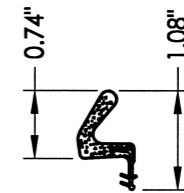
1 WOOD JAMB



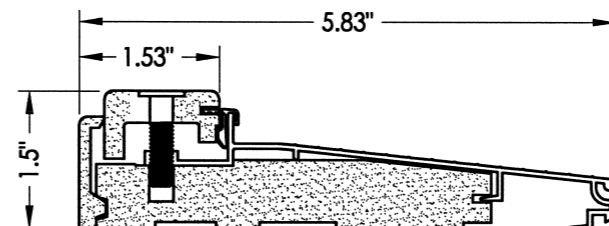
8 SWEEP



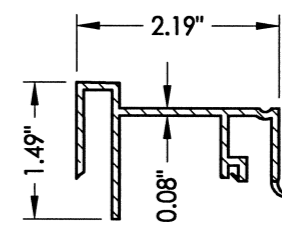
7 WEATHERSTRIP Long Reach



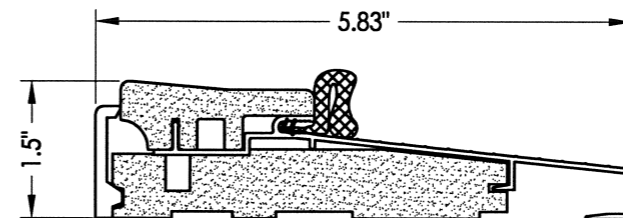
9 WEATHERSTRIP Medium Reach



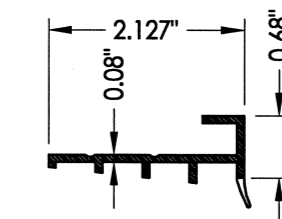
13 INSWING THRESHOLD



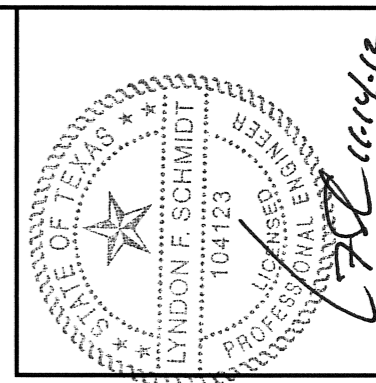
65 INSWING SIDELITE ADAPTER



14 OUTSWING THRESHOLD



66 OUTSWING SIDELITE ADAPTER



Documents Prepared By: Lyndon F. Schmidt, P.E.  
TEXAS P.E. #104123

**RW** BUILDING CONSULTANTS, INC.  
P.O. Box 230 Valrico FL 33595  
Phone No.: 813.659.9197  
TEXAS BOARD OF PROFESSIONAL ENGINEERS  
CERTIFICATE OF REGISTRATION # F-11852

PRODUCT: THERMA-TRU FIBERGLASS DOOR  
PART OR ASSEMBLY: BILL OF MATERIALS & COMPONENTS

NO.	DATE	BY	REVISIONS

DATE: 10/08/12  
SCALE: N.T.S.  
DWG. BY: JK  
CHK. BY: LFS  
DRAWING NO.: TX-4261  
SHEET 12 OF 12