

"Smooth Star", "Fiber Classic" & "Classic Craft"

Opaque Fiberglass Double Door w/ or w/o Sidelites

INSWING / OUTSWING
"Non-Impact"

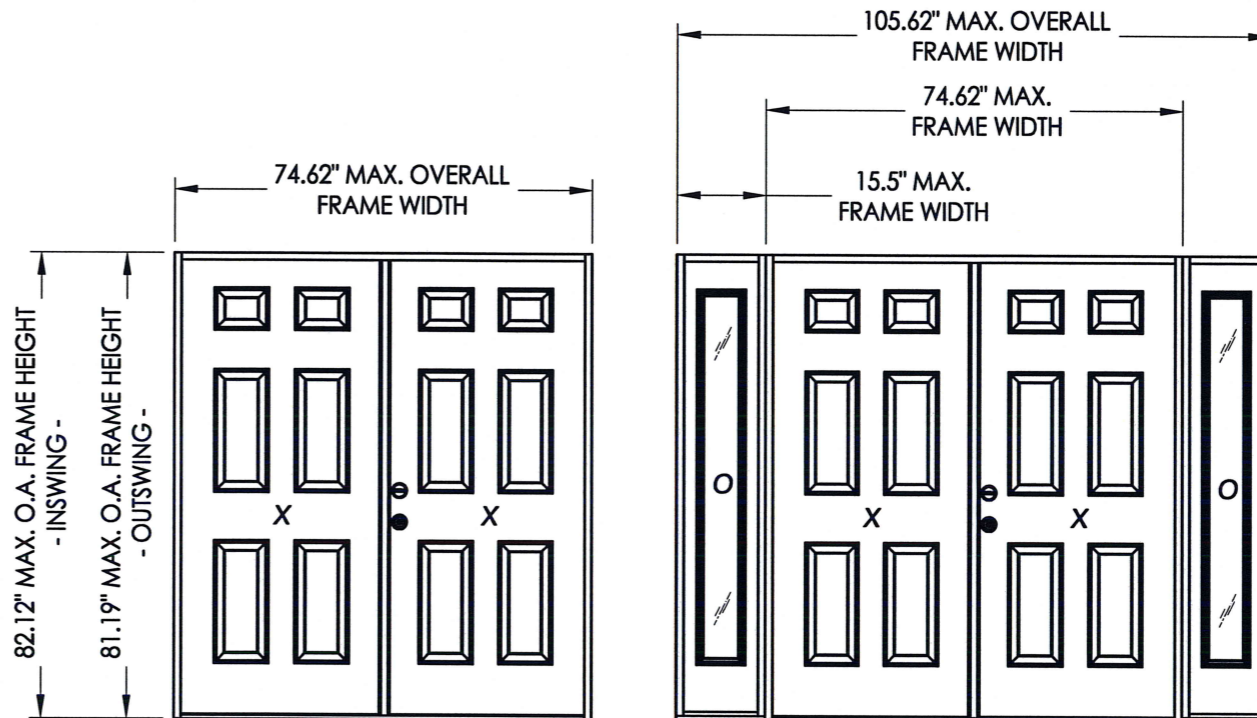
EVALUATED FOR USE IN THE STATE OF TEXAS

The Thermo-Tru FIBERGLASS door described herein complies with the 2006 International Residential Code (IRC), Sections R301 & R613 and the 2006 International Building Code (IBC), Sections 1405.12, 1609, 1714.5, 2403 and 2404 (including Texas revisions) subject to the following conditions:

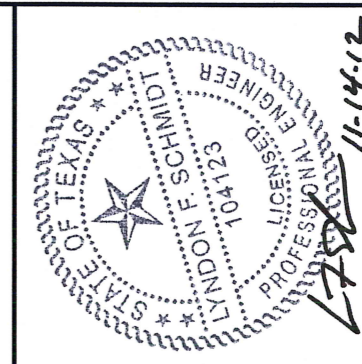
1. Anchors shall be as listed and spaced as shown in the details. Anchor embedment to base material shall be beyond wall dressing or stucco.
2. When used in areas requiring wind-borne debris protection, the opaque doors do not require impact protection while the sidelites are required to be protected with an impact resistant covering that complies with Section R301.2.1.2 of the IRC and Section 1609.1.2 of the IBC.
3. Allowable design pressure requirements must be equal to or less than the design pressure rating shown in the design pressure chart, sheet 1 of this drawing.
4. Conditions not covered by this drawing are subject to further engineering analysis.

TABLE OF CONTENTS

SHEET #	DESCRIPTION
1	Typical elevations, design pressures & general notes
2	Door panel details (Smooth Star/Fiber Classic)
3	Door panel details (Classic Craft)
4	Sidelite panel & glazing detail (Smooth Star/Fiber Classic)
5	Sidelite panel & glazing detail (Classic Craft)
6	Elevations
7	Horizontal cross sections
8	Vertical cross sections
9	Vertical cross sections
10	Frame anchoring
11	Astragal details
12	Bill of materials and components



CONFIGURATION	MAX. FRAME DIMENSION	SWING	DESIGN PRESSURE (PSF)	
			POSITIVE	NEGATIVE
XX	74.62" x 82.12"	INSWING	+50.0	-60.0
	74.62" x 81.19"	OUTSWING	+50.0	-50.0
OXXO	105.62" x 82.12"	INSWING	+50.0	-60.0
	105.62" x 81.19"	OUTSWING	+50.0	-50.0



Documents Prepared By: **Lyndon F. Schmidt, P.E.**
 TEXAS P.E. #104123

RW BUILDING CONSULTANTS, INC.
 P.O. Box 230 Valrico FL 33595
 Phone No.: 813.659.9197

TEXAS BOARD OF PROFESSIONAL ENGINEERS
 CERTIFICATE OF REGISTRATION # F-11852

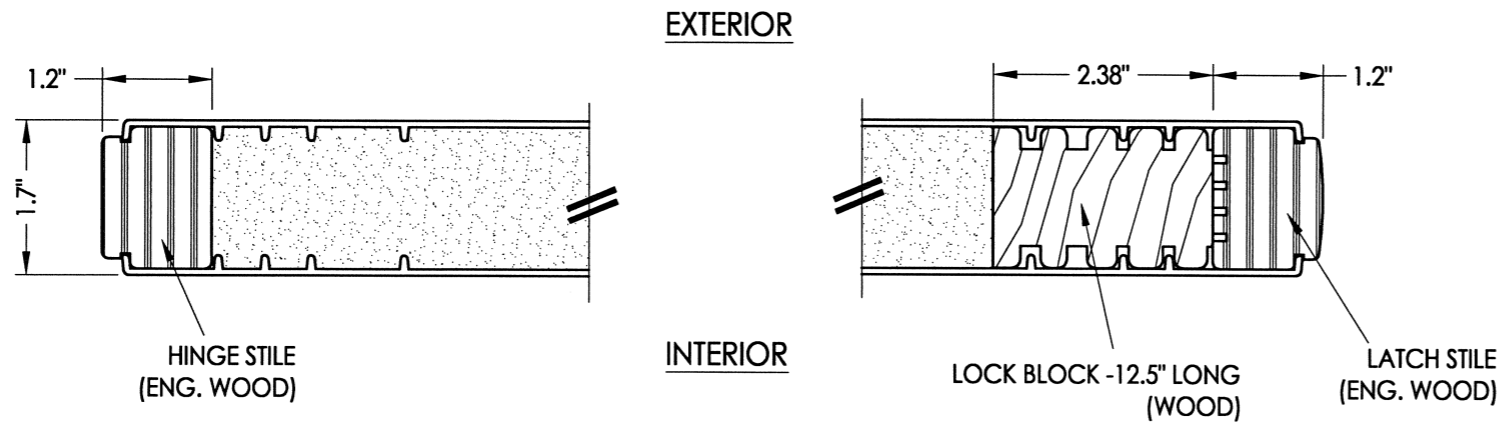
PRODUCT: **THERMA-TRU FIBERGLASS DOOR**

PART OR ASSEMBLY: **TYPICAL ELEVATION, DESIGN PRESSURES & GENERAL NOTES**

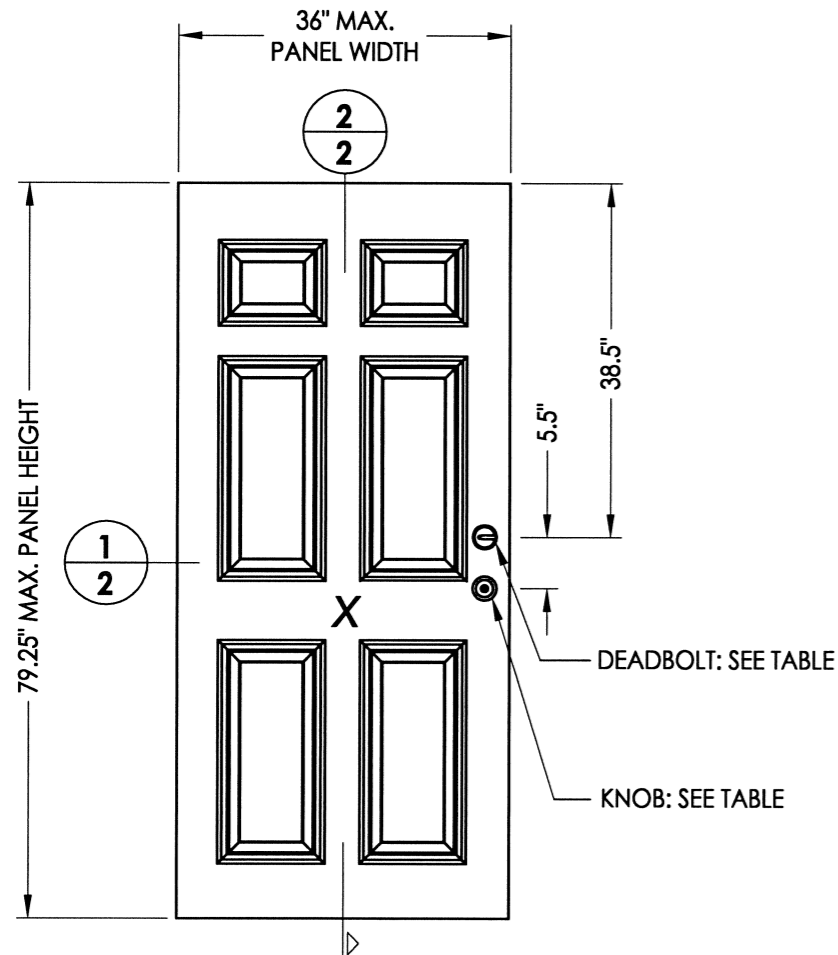
NO.	DATE	BY	REVISIONS

DATE: 10/08/12
 SCALE: N.T.S.
 DWG. BY: JK
 CHK. BY: LFS
 DRAWING NO.: TX-4259
 SHEET 1 OF 12

R:\A - Projects\Project Folders\Proj 1601 - 1700\PF 1694\DWG Drawings\Texas 2012\TX-4258-59.dwg, TX-4259

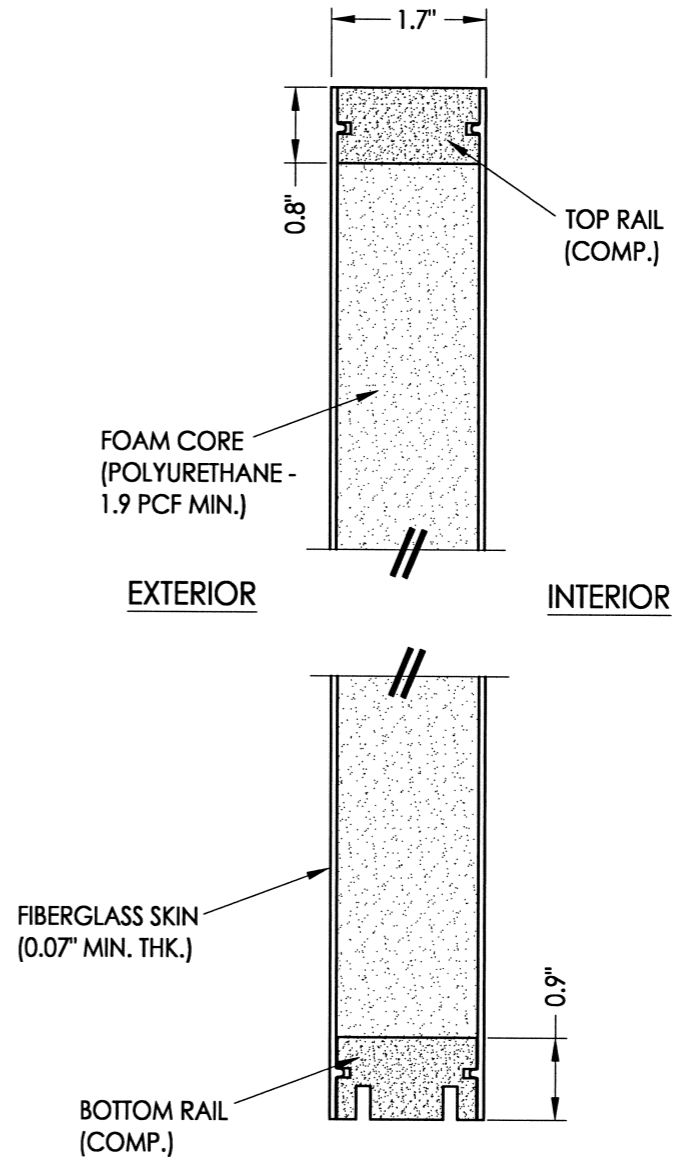


1
2 HORIZONTAL CROSS SECTION

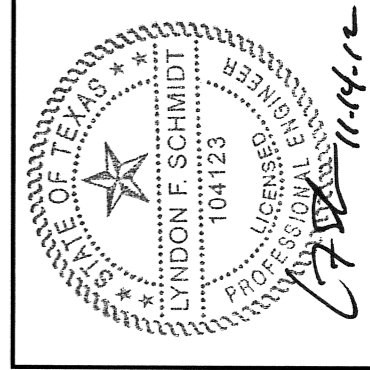


40 DOOR PANEL
Smooth Star/Fiber Classic

HARDWARE TABLE		
MANUFACTURER	MODEL	
KWIKSET	KNOB:	SIGNATURE SERIES
	DEADBOLT:	SIGNATURE SERIES (980)
SCHLAGE	KNOB:	"F" SERIES
	DEADBOLT:	"B" SERIES



2
2 VERTICAL CROSS SECTION



Documents Prepared By: Lyndon F. Schmidt, P.E.
TEXAS P.E. #104123

RW BUILDING CONSULTANTS, INC.
P.O. Box 230 Valrico FL, 33595
Phone No.: 813.659.9197

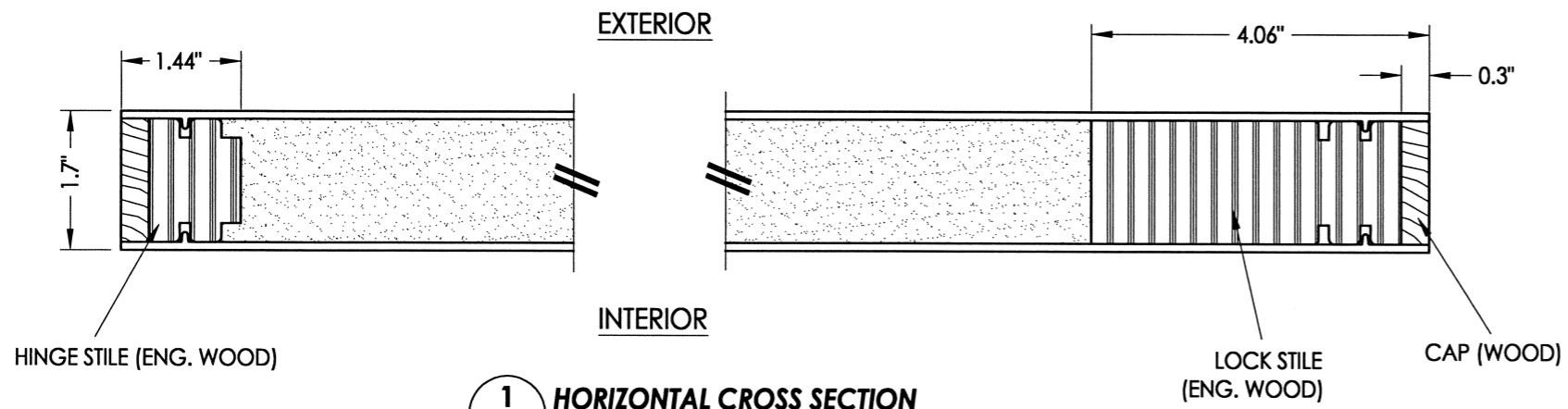
TEXAS BOARD OF PROFESSIONAL ENGINEERS
CERTIFICATE OF REGISTRATION # F-11852

PRODUCT: THERMA-TRU
FIBERGLASS DOOR

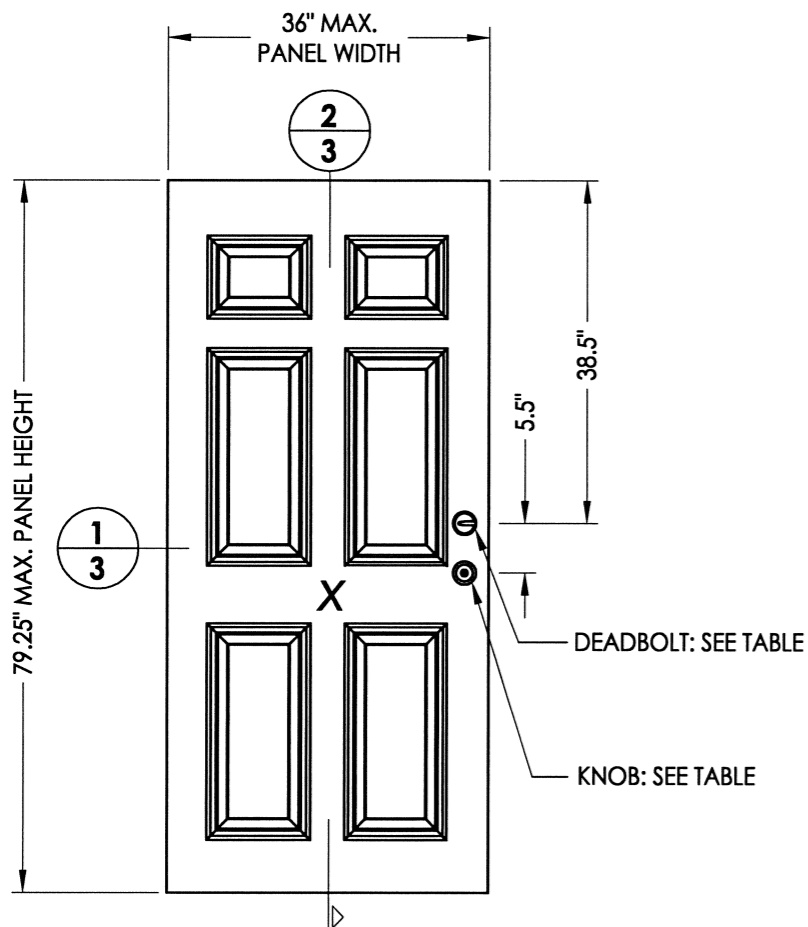
PART OR ASSEMBLY:
DOOR PANEL DETAILS

NO.	DATE	BY

DATE: 10/08/12
SCALE: N.T.S.
DWG. BY: JK
CHK. BY: LFS
DRAWING NO.: TX-4259
SHEET 2 OF 12

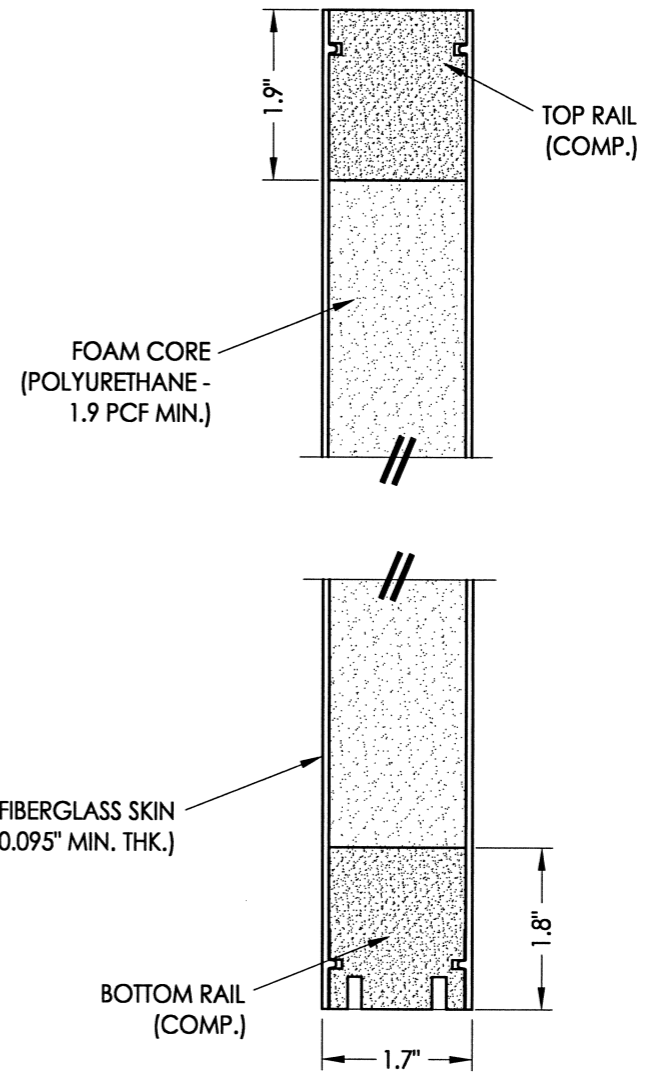


1
3 **HORIZONTAL CROSS SECTION**

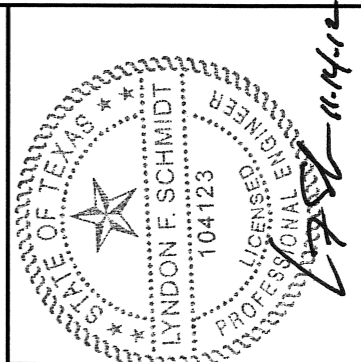


41 **DOOR PANEL**
Classic Craft

HARDWARE TABLE	
MANUFACTURER	MODEL
KWIKSET	KNOB: SIGNATURE SERIES
	DEADBOLT: SIGNATURE SERIES (980)
SCHLAGE	KNOB: "F" SERIES
	DEADBOLT: "B" SERIES



2
3 **VERTICAL CROSS SECTION**



Documents Prepared By: Lyndon F. Schmidt, P.E.
TEXAS P.E. #104123

RW BUILDING CONSULTANTS, INC.
P.O. Box 230 Vairco FL 33595
Phone No.: 813.659.9197

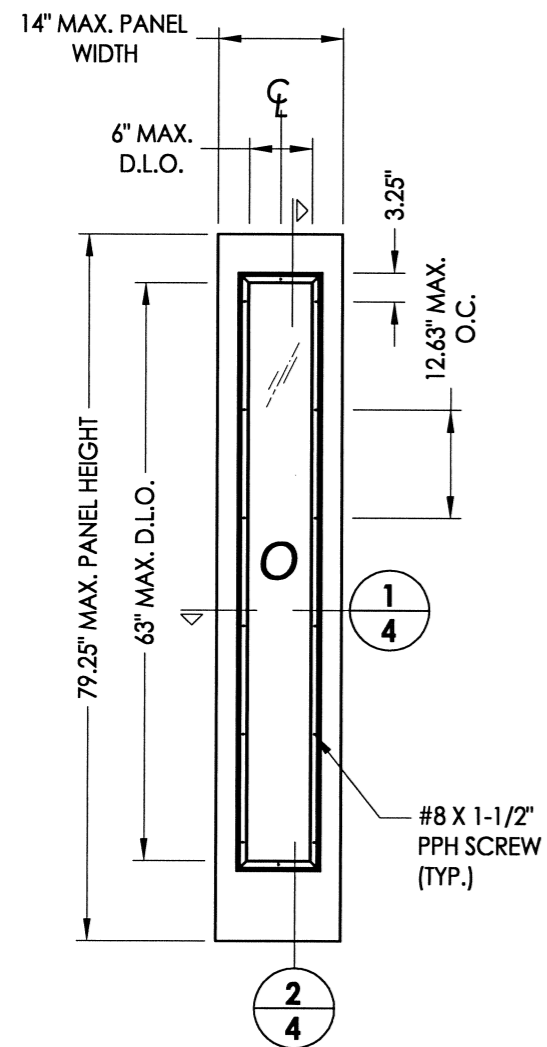
TEXAS BOARD OF PROFESSIONAL ENGINEERS
CERTIFICATE OF REGISTRATION # F-11852

PRODUCT: THERMA-TRU
FIBERGLASS DOOR

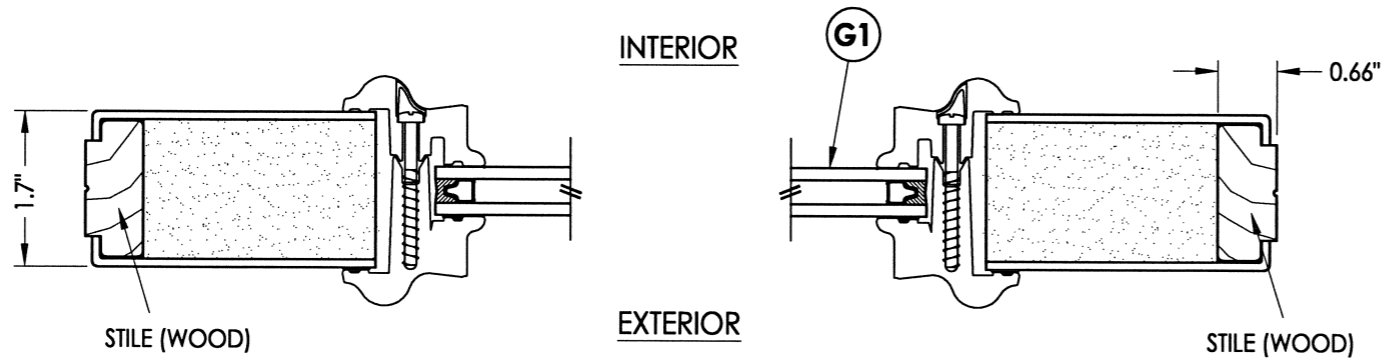
PART OR ASSEMBLY:
DOOR PANEL DETAILS

REVISIONS	
NO.	DATE

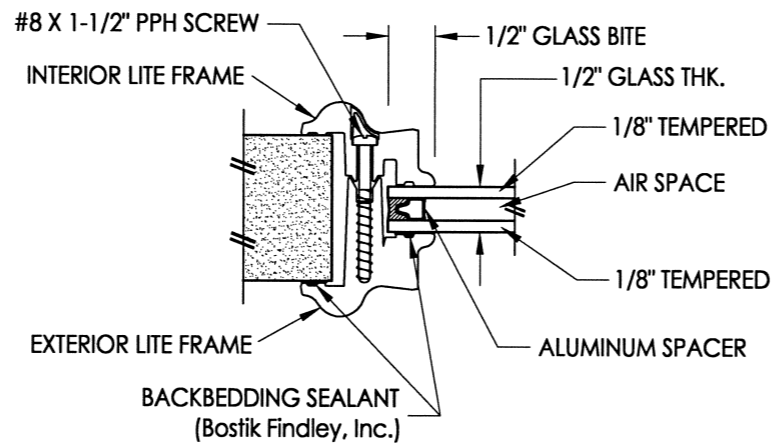
DATE: 10/08/12
SCALE: N.T.S.
DWG. BY: JK
CHK. BY: LFS
DRAWING NO.: TX-4259
SHEET 3 OF 12



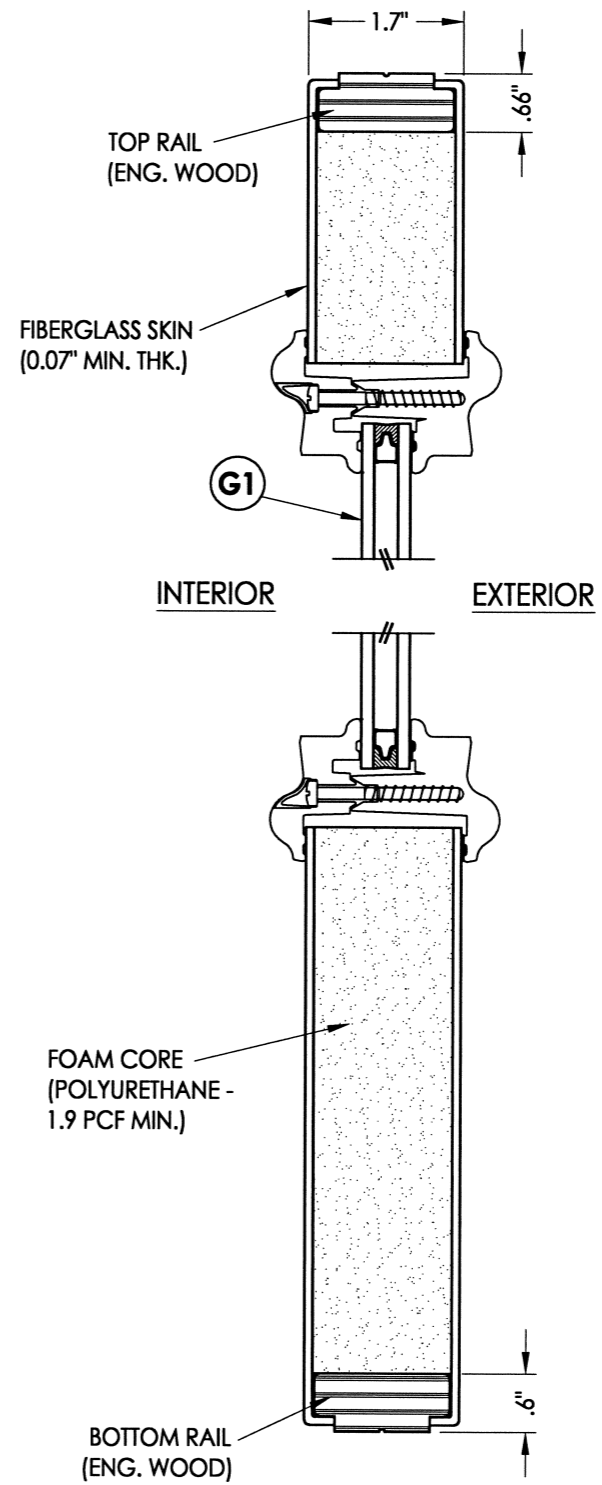
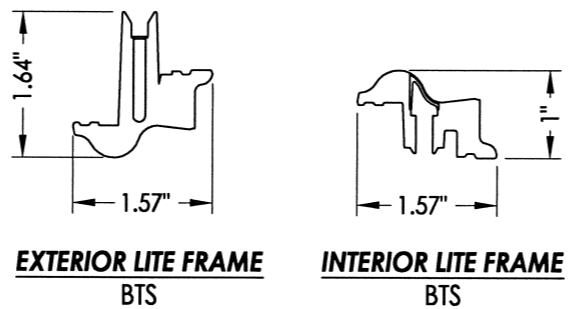
50 SIDELITE PANEL
Smooth Star/Fiber Classic



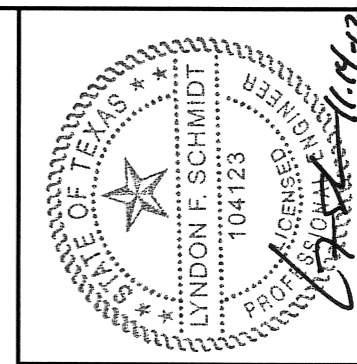
1
4 HORIZONTAL CROSS SECTION



G1 GLAZING DETAIL
BTS Lip Lite Frame

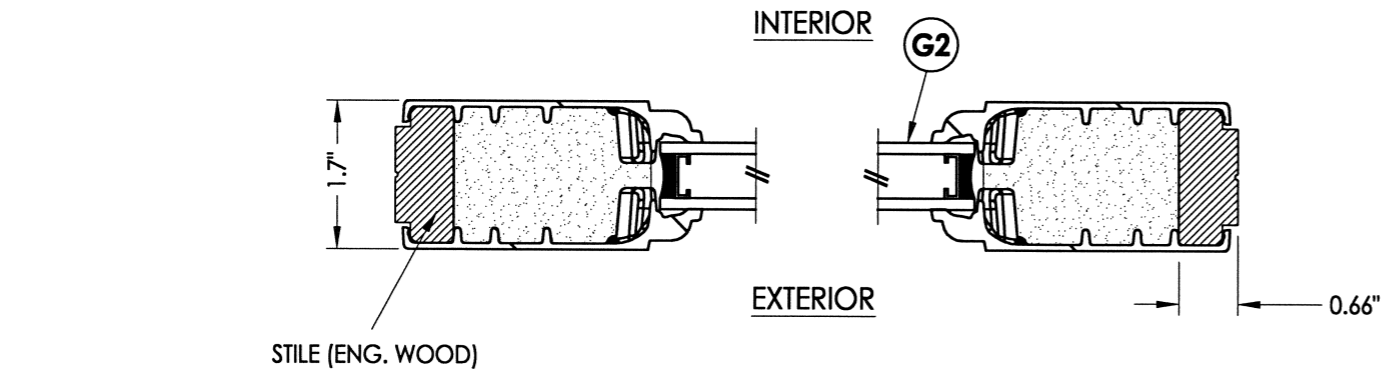


2
4 VERTICAL CROSS SECTION

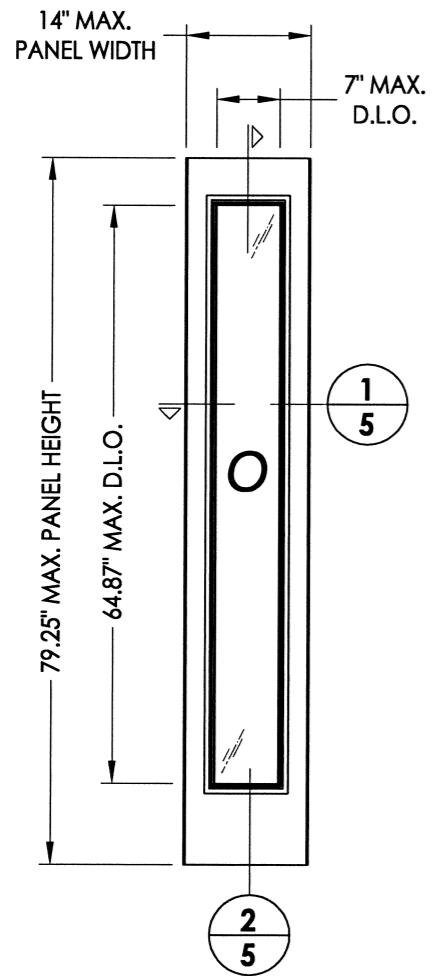


Documents Prepared By: Lyndon F. Schmidt, P.E.
TEXAS P.E. #104123
RW BUILDING CONSULTANTS, INC.
P.O. Box 230 Valrico FL 33595
Phone No.: 813.659.9197
TEXAS BOARD OF PROFESSIONAL ENGINEERS
CERTIFICATE OF REGISTRATION # F-11852

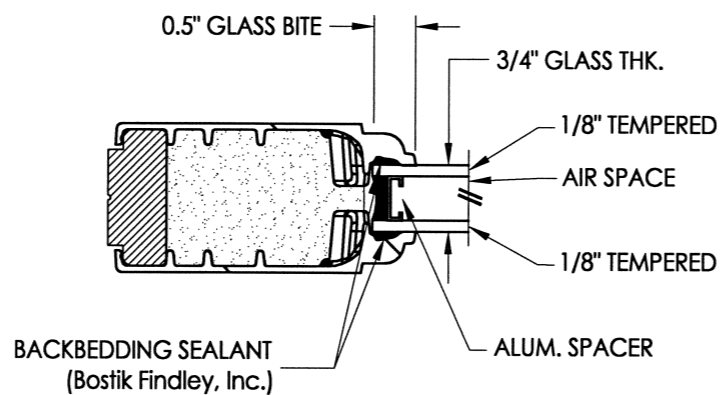
PRODUCT: THERMA-TRU FIBERGLASS DOOR	
PART OR ASSEMBLY: SIDELITE PANEL & GLAZING DETAIL (SMOOTH STAR/FIBER CLASSIC)	
NO.	DATE
BY	REVISIONS
DATE: 10/08/12	
SCALE: N.T.S.	
DWG. BY: JK	
CHK. BY: LFS	
DRAWING NO.: TX-4259	
SHEET 4 OF 12	



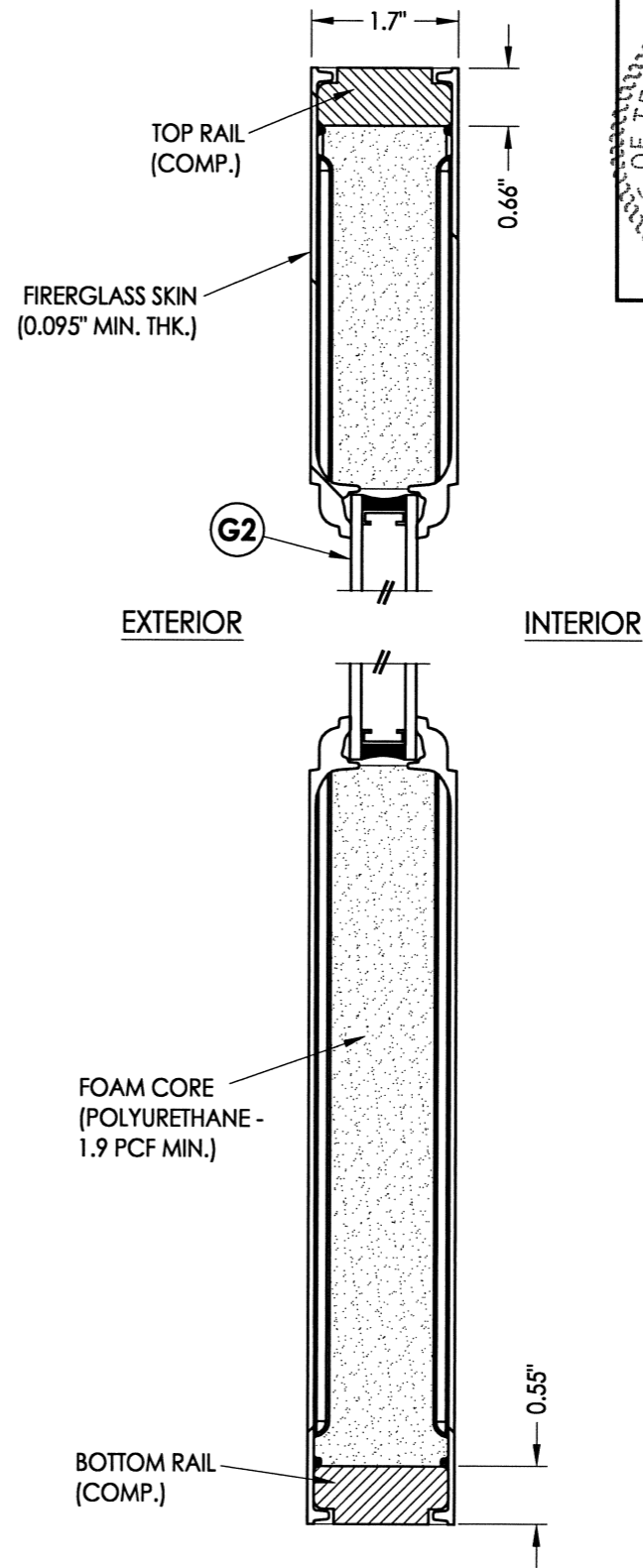
1
5 HORIZONTAL CROSS SECTION



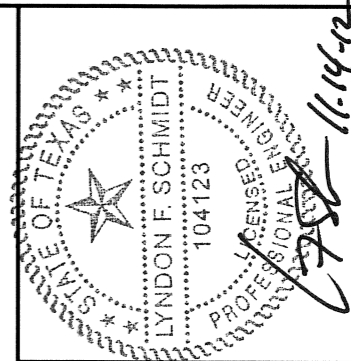
51 SIDELITE PANEL
Classic Craft



G2 GLAZING DETAIL
Flush Glazed



2
5 VERTICAL CROSS SECTION



Documents Prepared By: Lyndon F. Schmidt, P.E.
TEXAS P.E. #104123

RW BUILDING CONSULTANTS, INC.
P.O. Box 230 Vairico FL 33595
Phone No.: 813.659.9197

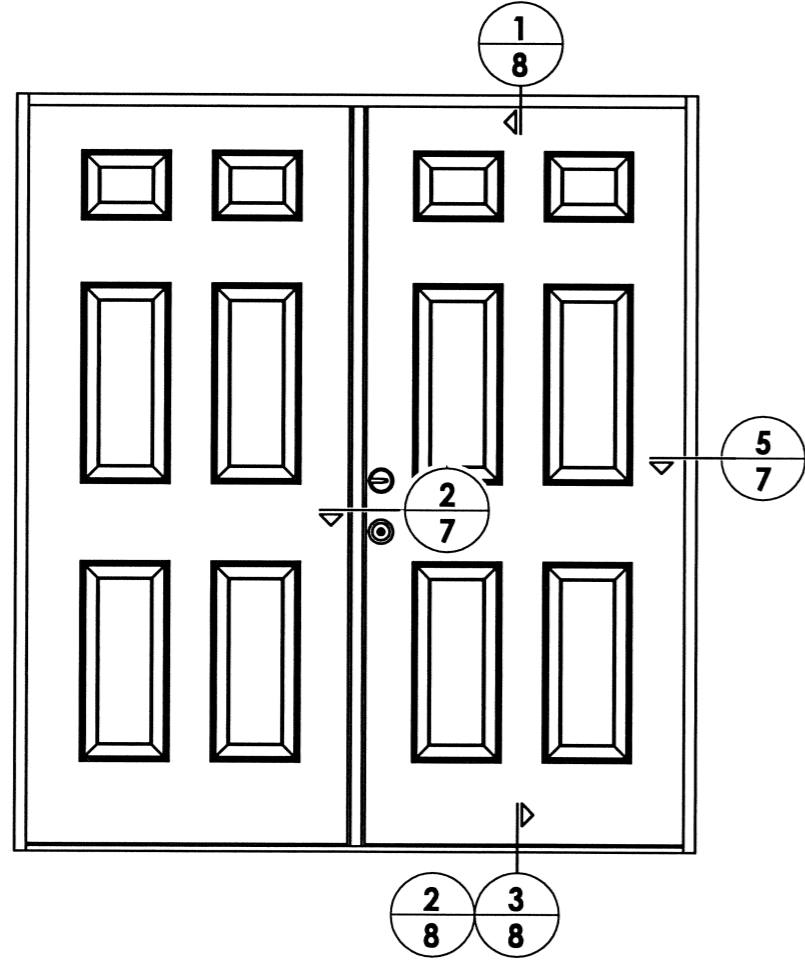
TEXAS BOARD OF PROFESSIONAL ENGINEERS
CERTIFICATE OF REGISTRATION # F-11852

PRODUCT: THERMA-TRU
FIBERGLASS DOOR

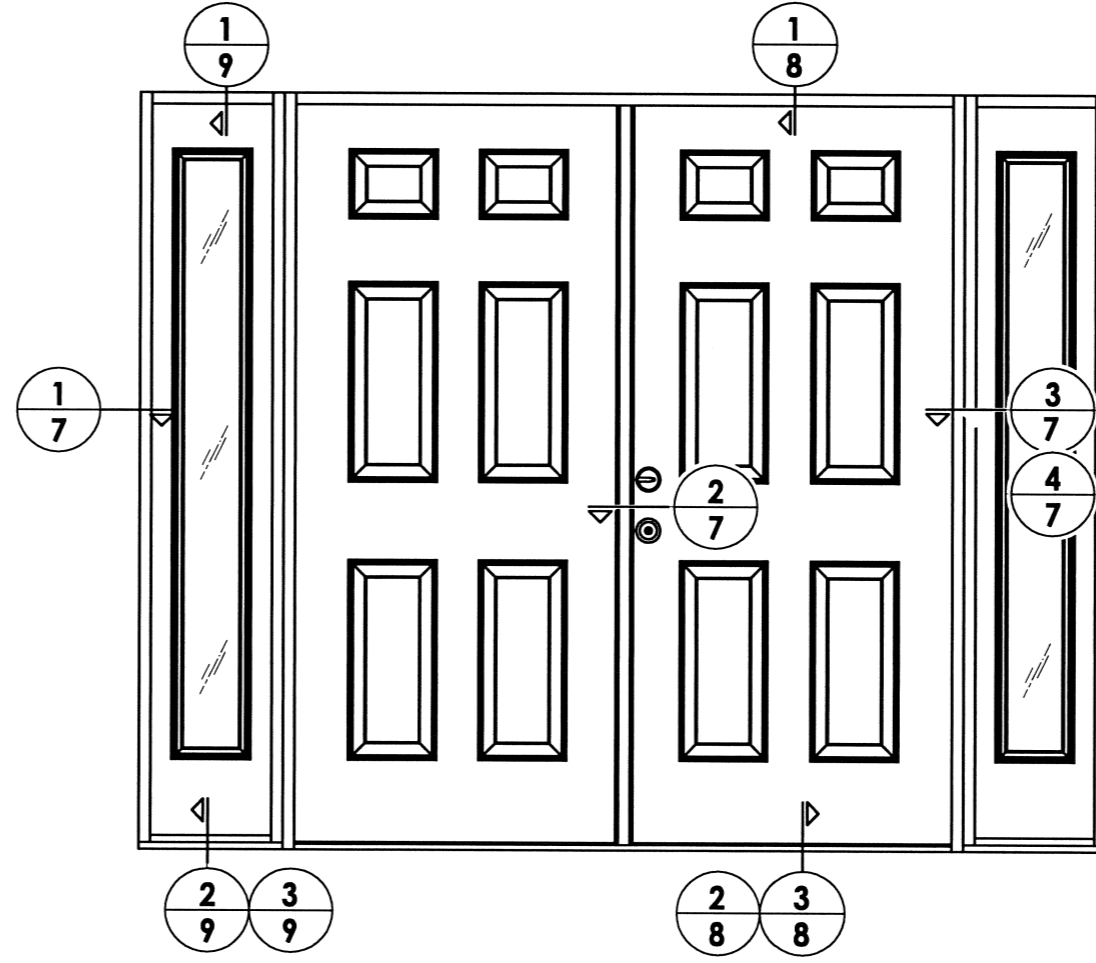
PART OR ASSEMBLY:
SIDELITE PANEL & GLAZING DETAIL
(CLASSIC CRAFT)

NO.	DATE	BY	REVISIONS

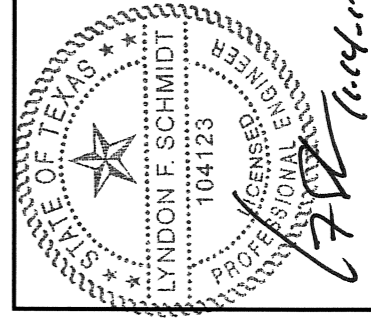
DATE: 10/08/12
SCALE: N.T.S.
DWG. BY: JK
CHK. BY: LFS
DRAWING NO.: TX-4259
SHEET 5 OF 12



ELEVATION (XX)



ELEVATION (OXXO)



Documents Prepared By: Lyndon F. Schmidt, P.E.
TEXAS P.E. #104123

RW BUILDING CONSULTANTS, INC.
P.O. Box 230 Valrico FL 33595
Phone No.: 813.659.9197

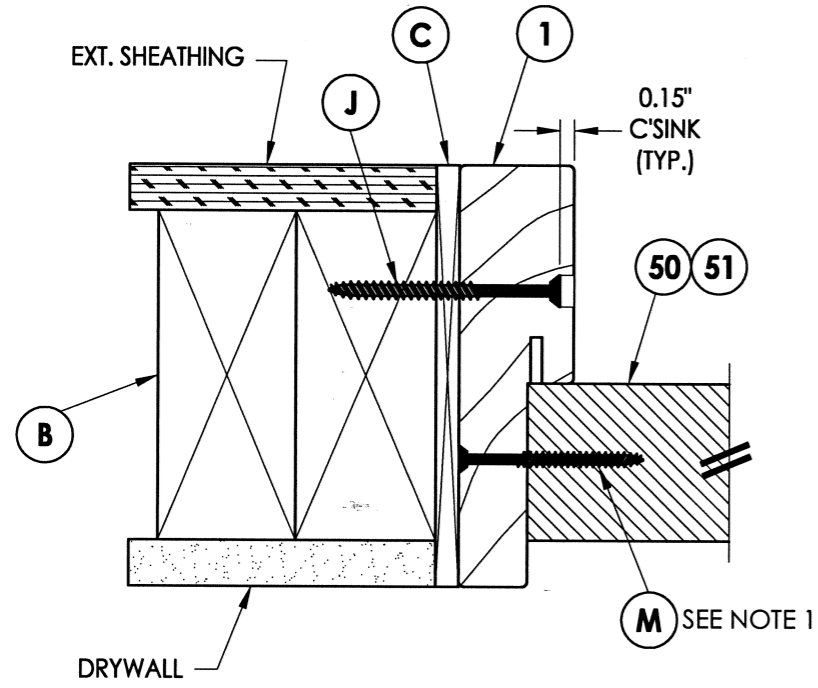
TEXAS BOARD OF PROFESSIONAL ENGINEERS
CERTIFICATE OF REGISTRATION # F-11852

PRODUCT: THERMA-TRU
FIBERGLASS DOOR
PART OR ASSEMBLY: ELEVATIONS

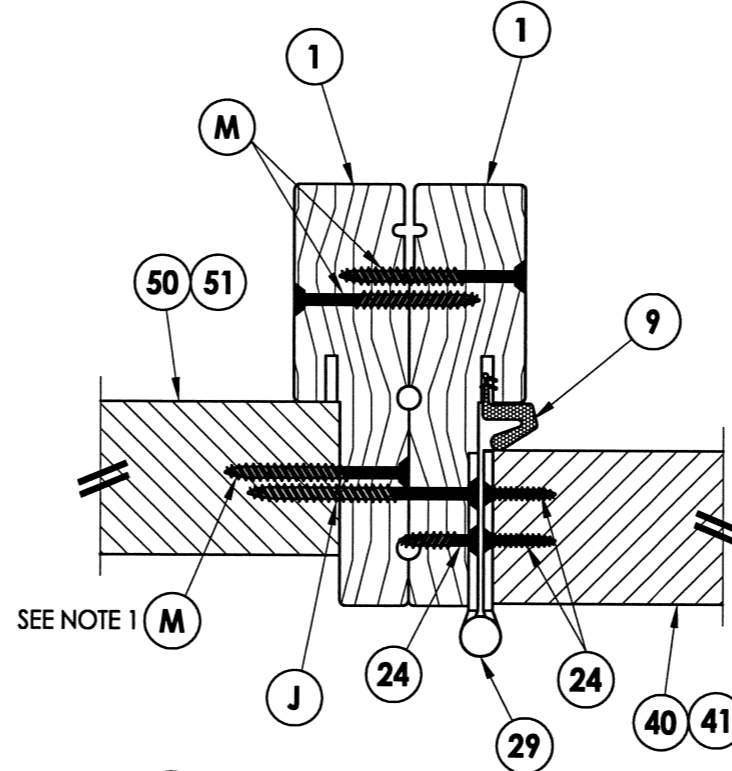
NO.	DATE	BY

DATE: 10/08/12
SCALE: N.T.S.
DWG. BY: JK
CHK. BY: LFS
DRAWING NO.: TX-4259
SHEET 6 OF 12

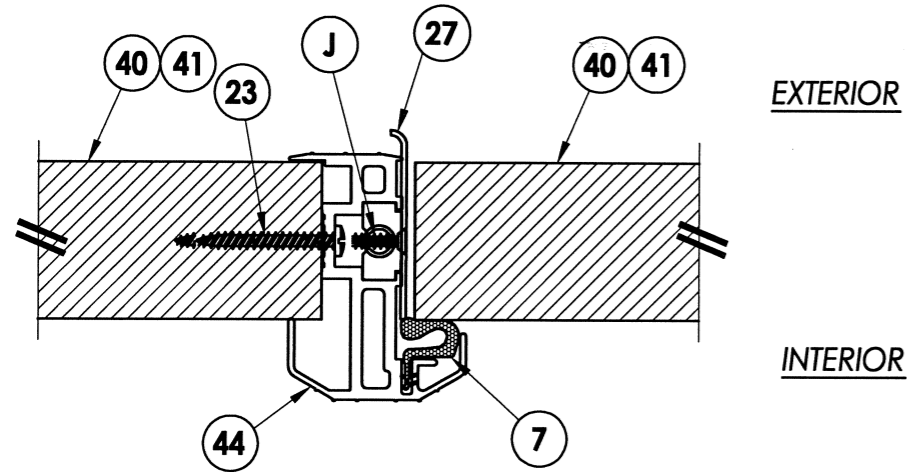
R:\A - Projects\Project Eolders\Proj 1601 - 1700\PE 1694.D - RWBC Drawings\Texas 2012\TX-4258-59.dwg - 7.2



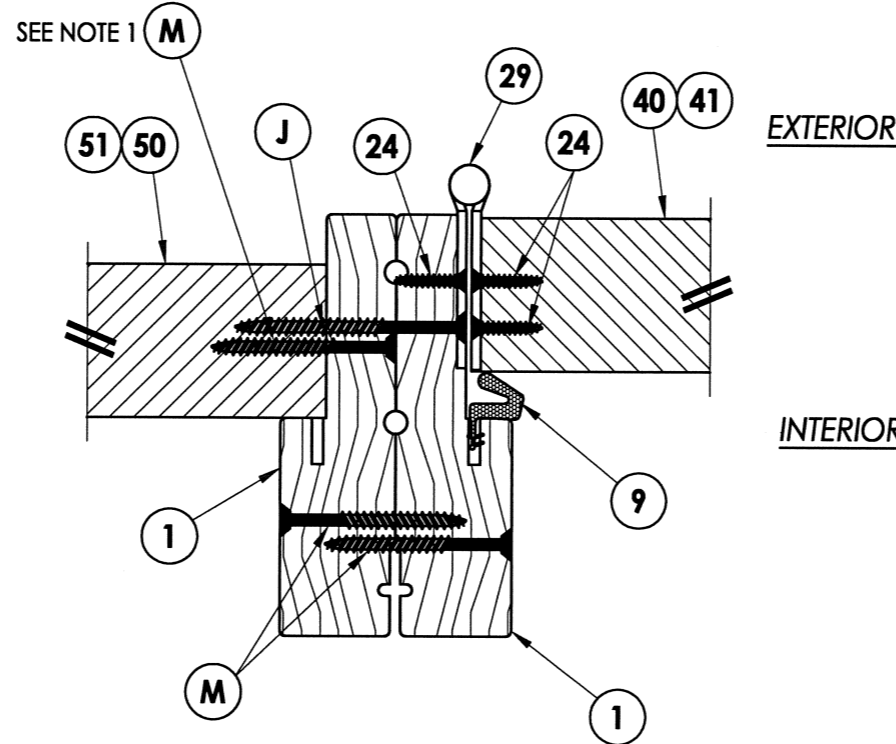
1
7 **HORIZONTAL CROSS SECTION**
Inswing shown - Outswing also approved



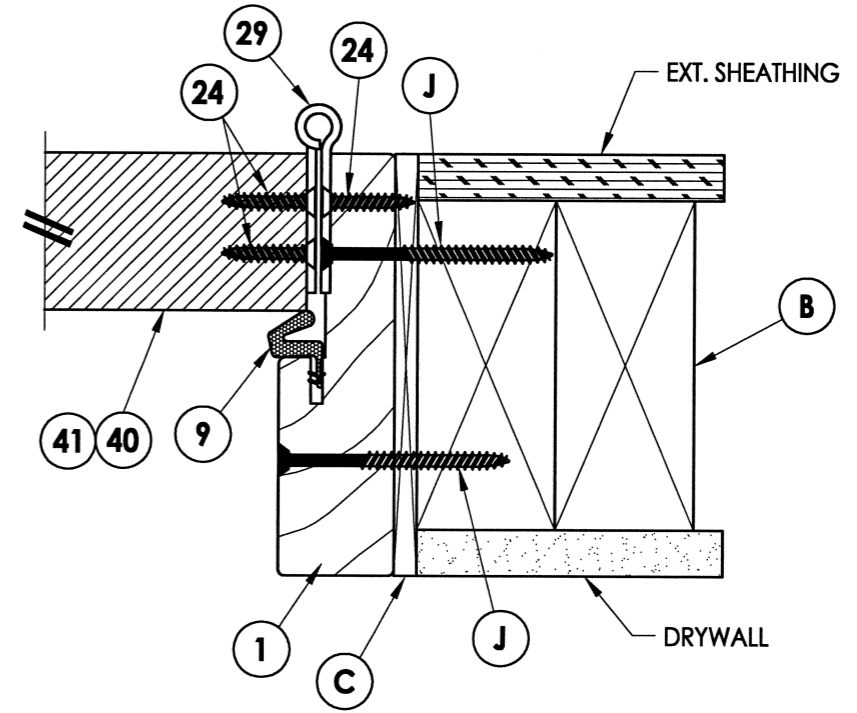
3
7 **HORIZONTAL CROSS SECTION**
Inswing shown



2
7 **HORIZONTAL CROSS SECTION**
Outswing shown - Inswing also approved

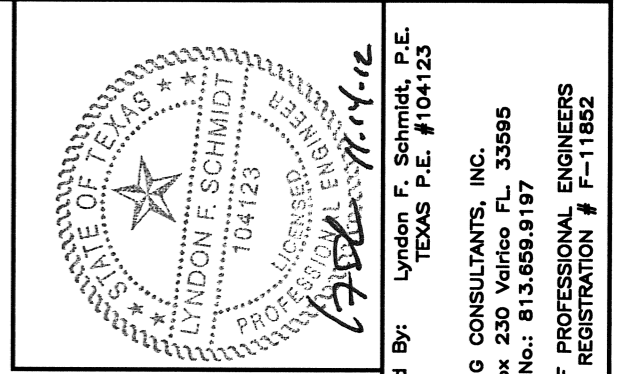


4
7 **HORIZONTAL CROSS SECTION**
Outswing shown



5
7 **HORIZONTAL CROSS SECTION**
Outswing shown - Inswing also approved

Note:
1. Sidelite assembly screws located
6" from each end plus 4 more
equally spaced (6 total).



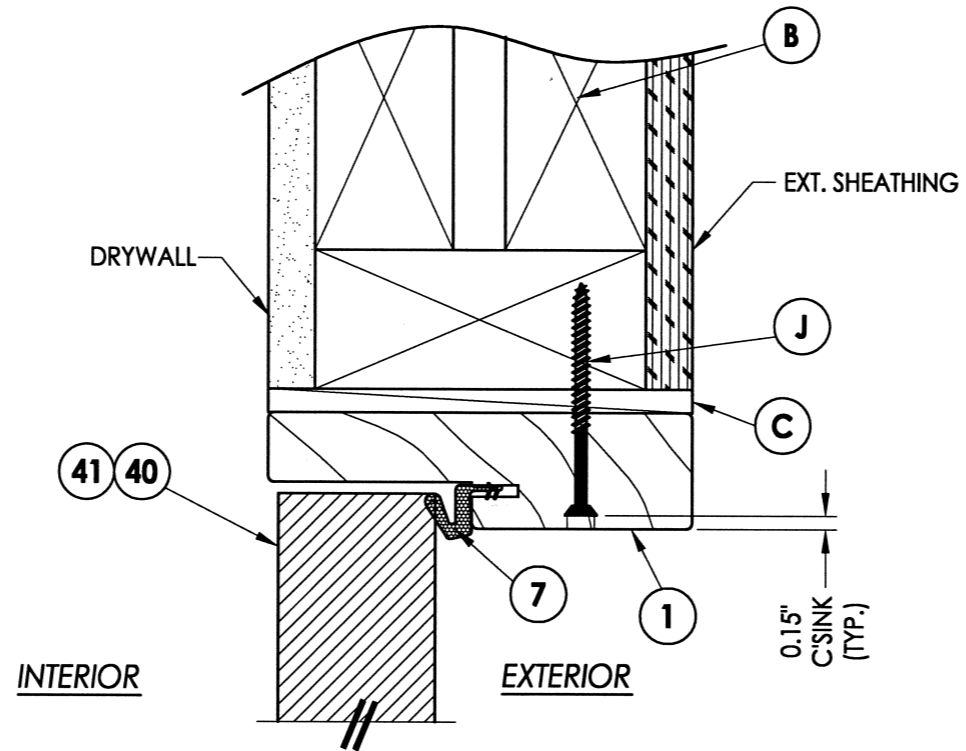
Documents Prepared By: Lyndon F. Schmidt, P.E.
TEXAS P.E. #104123

R.W. BUILDING CONSULTANTS, INC.
P.O. Box 230 Valrico FL 33595
Phone No.: 813.659.9197

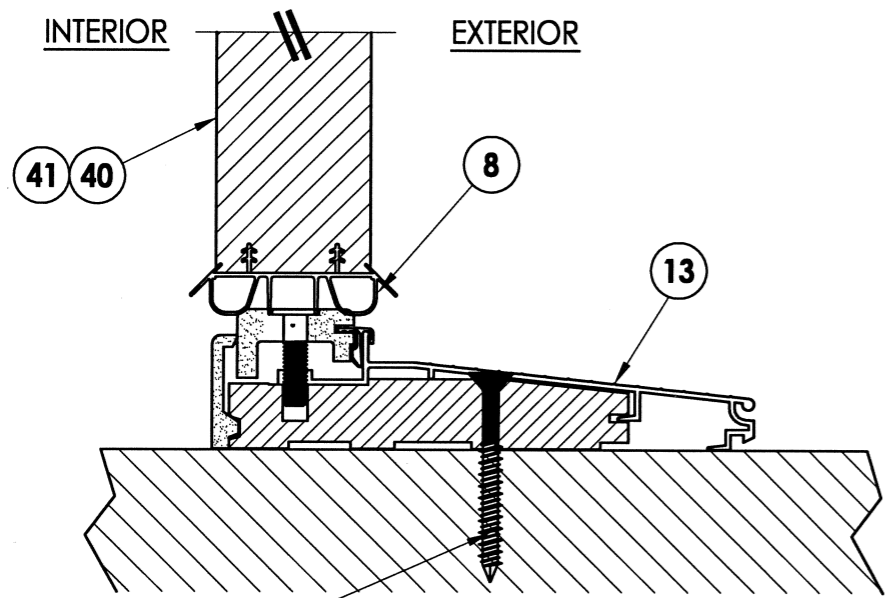
TEXAS BOARD OF PROFESSIONAL ENGINEERS
CERTIFICATE OF REGISTRATION # F-11852

PRODUCT:		THERMA-TRU FIBERGLASS DOOR	
PART OR ASSEMBLY:		HORIZONTAL CROSS SECTIONS	
NO.	DATE	BY	REVISIONS
DATE: 10/08/12			
SCALE: N.T.S.			
DWG. BY: JK			
CHK. BY: LFS			
DRAWING NO.: TX-4259			
SHEET 7 OF 12			

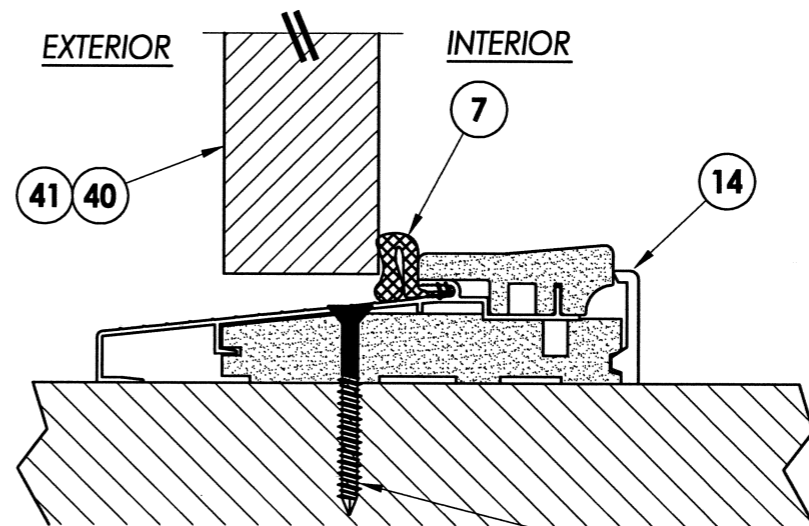
© 2012 R.W. BUILDING CONSULTANTS INC.



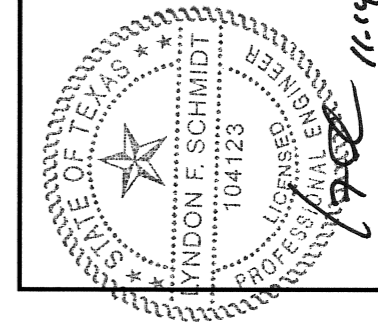
1 VERTICAL CROSS SECTION
8 Inswing shown - Outswing also approved



2 VERTICAL CROSS SECTION
8 Inswing configuration



3 VERTICAL CROSS SECTION
8 Outswing configuration



Documents Prepared By: Lyndon F. Schmidt, P.E.
 TEXAS P.E. #104123

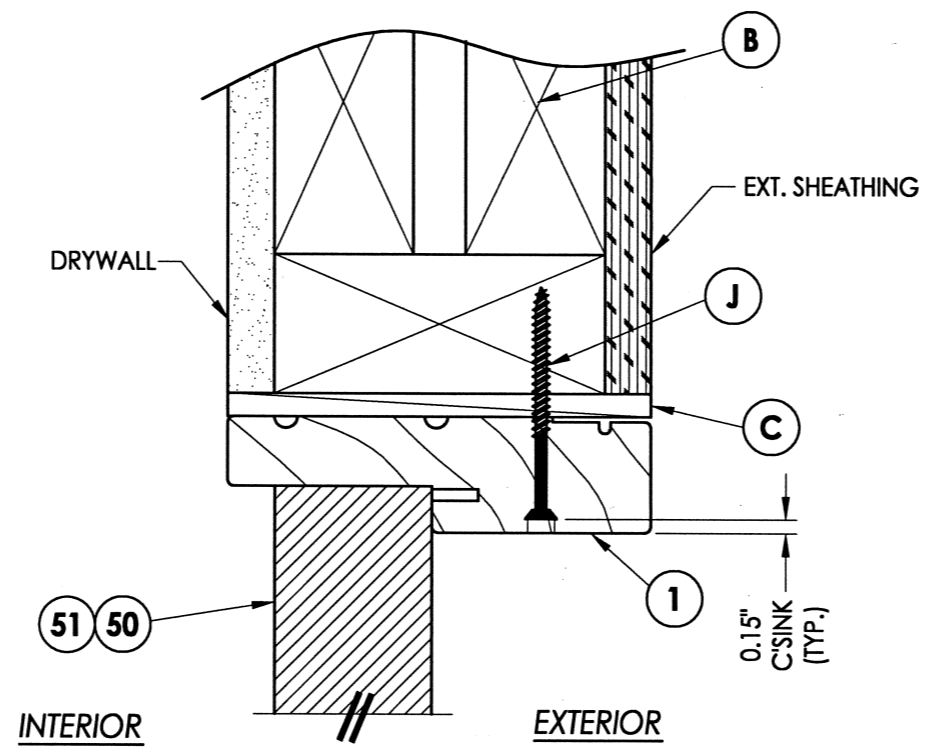
RW BUILDING CONSULTANTS, INC.
 P.O. Box 230 Valrico FL 33595
 Phone No.: 813.659.9197
 TEXAS BOARD OF PROFESSIONAL ENGINEERS
 CERTIFICATE OF REGISTRATION # F-11852

PRODUCT: THERMA-TRU
 FIBERGLASS DOOR
 PART OR ASSEMBLY: VERTICAL CROSS SECTIONS

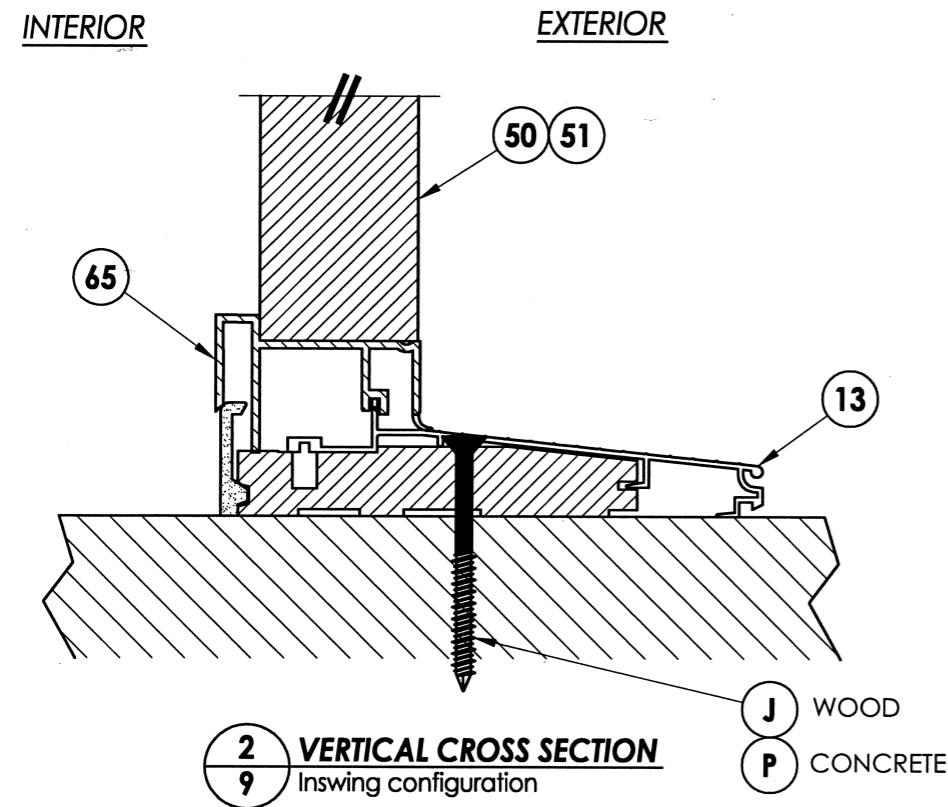
NO.	DATE	BY	REVISIONS

DATE: 10/08/12
 SCALE: N.T.S.
 DWG. BY: JK
 CHK. BY: LFS
 DRAWING NO.: TX-4259
 SHEET 8 OF 12

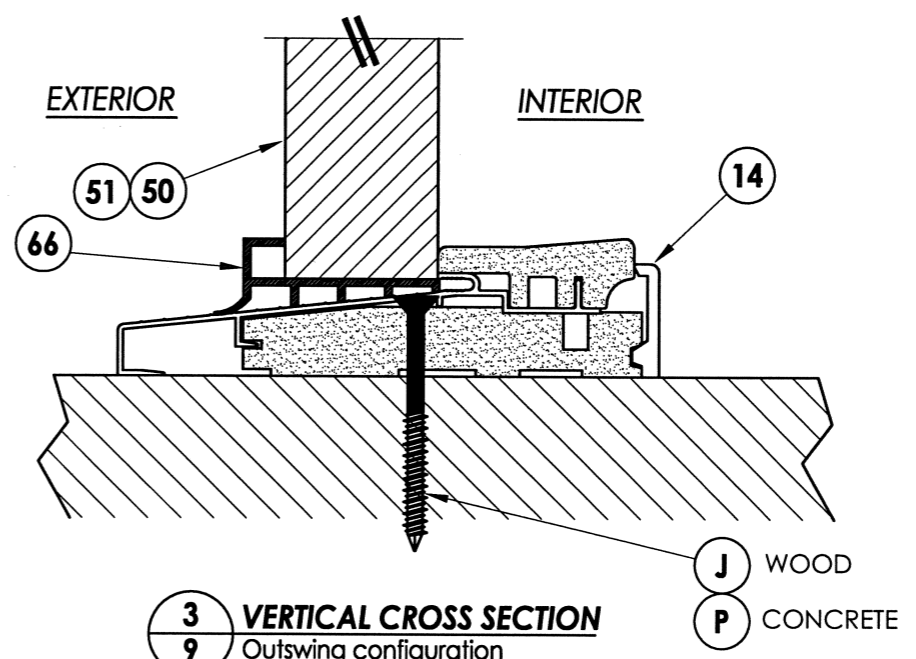
R:\A - Projects\Project Folders\Proj_1601 - 1700\PE_1694\D_RWBC Drawings\Texas 2012\TX-4258-59.dwg_9.2



1 VERTICAL CROSS SECTION
9 Inswing shown - Outswing also approved



2 VERTICAL CROSS SECTION
9 Inswing configuration



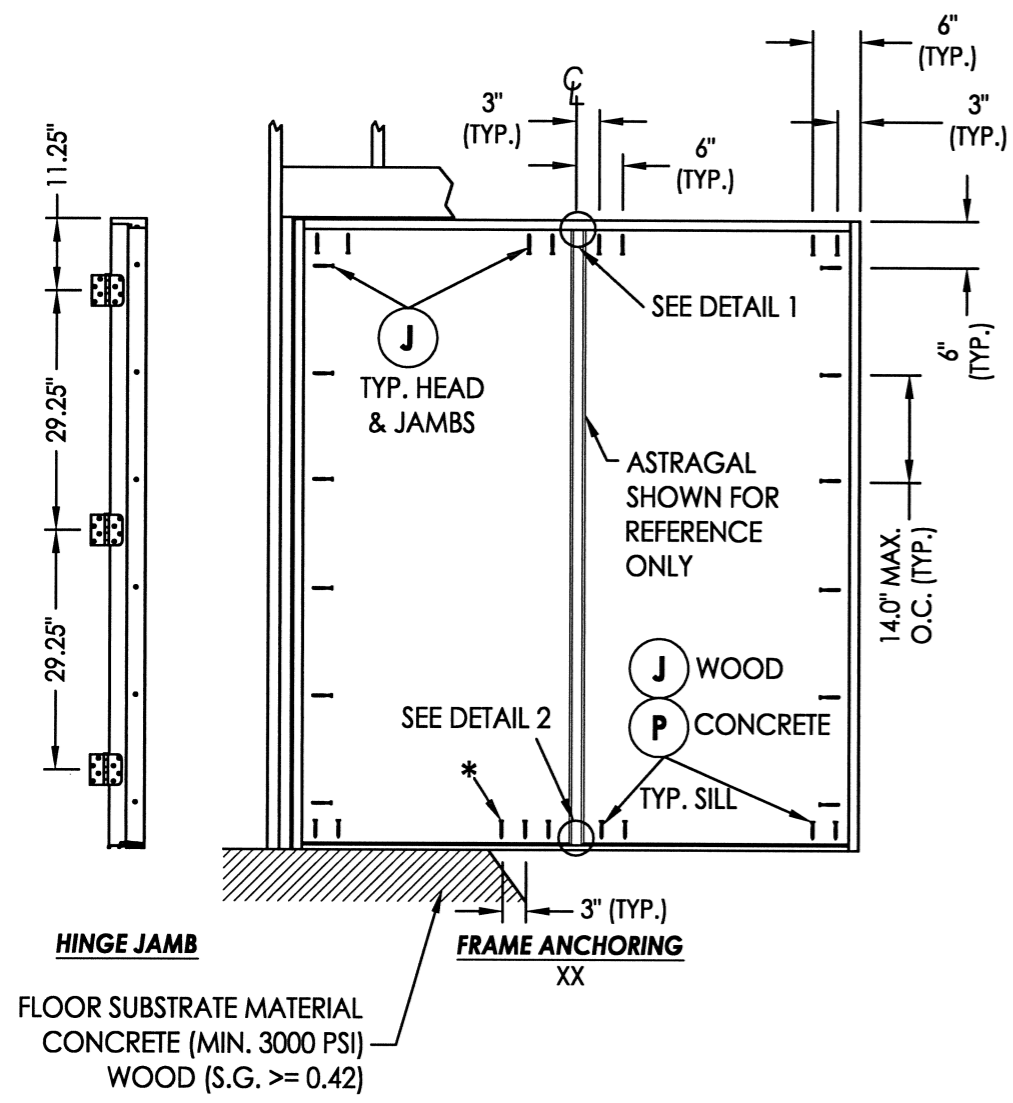
3 VERTICAL CROSS SECTION
9 Outswing configuration

Documents Prepared By: Lyndon F. Schmidt, P.E.
 TEXAS P.E. #104123

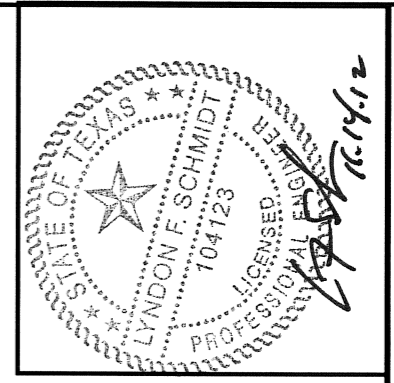
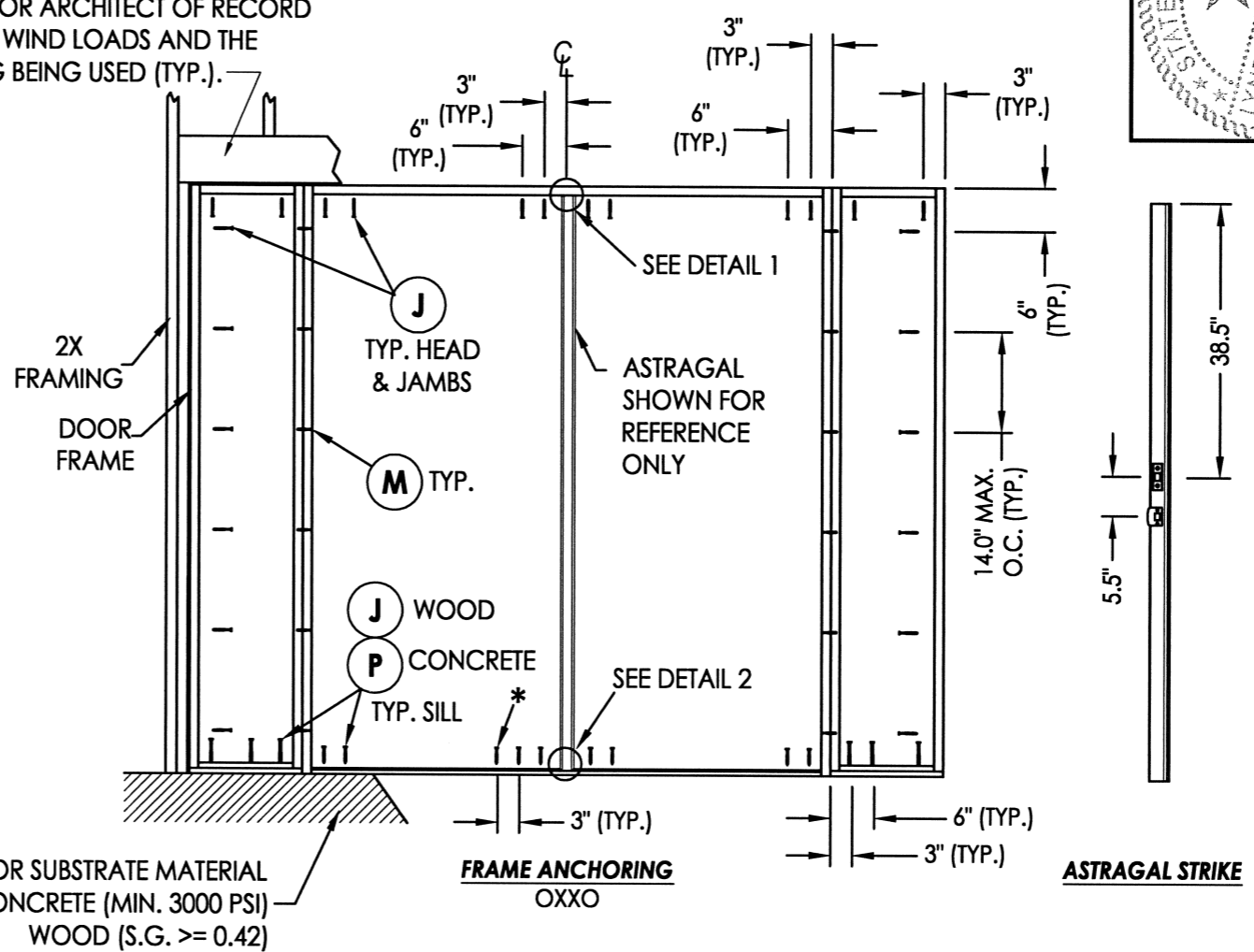
R.W. BUILDING CONSULTANTS, INC.
 P.O. Box 230 Vairico FL 33595
 Phone No.: 813.659.9197
 TEXAS BOARD OF PROFESSIONAL ENGINEERS
 CERTIFICATE OF REGISTRATION # F-11852

PRODUCT: THERMA-TRU FIBERGLASS DOOR PART OR ASSEMBLY: VERTICAL CROSS SECTIONS	
NO.	DATE
BY	REVISIONS
DATE: 10/08/12	
SCALE: N.T.S.	
DWG. BY: JK	
CHK. BY: LFS	
DRAWING NO.: TX-4259	
SHEET 9 OF 12	

R:\A - Projects\Project Folders\Proj 1601 - 1700\PF 1694.D. RWBC Drawings\Texas 2012\TX-4258-59.dwg, 10.2



2X FRAMING TO BE DESIGNED BY THE ENGINEER OR ARCHITECT OF RECORD BASED ON WIND LOADS AND THE CLADDING BEING USED (TYP.).



Documents Prepared By: Lyndon F. Schmidt, P.E.
TEXAS P.E. #104123

RW BUILDING CONSULTANTS, INC.
P.O. Box 230 Valrico FL 33595
Phone No.: 813.659.9197

TEXAS BOARD OF PROFESSIONAL ENGINEERS
CERTIFICATE OF REGISTRATION # F-11852

PRODUCT: THERMA-TRU FIBERGLASS DOOR

PART OR ASSEMBLY: FRAME ANCHORING

NO.	DATE	BY	REVISIONS

DATE: 10/08/12

SCALE: N.T.S.

DWG. BY: JK

CHK. BY: LFS

DRAWING NO.: TX-4259

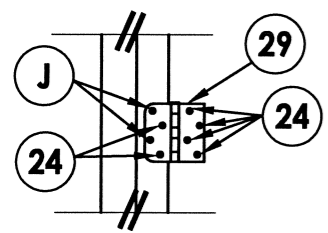
SHEET 10 OF 12

HINGE JAMB

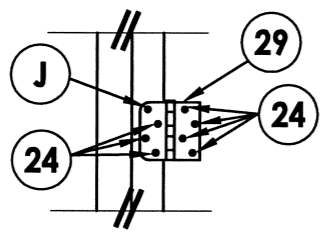
FLOOR SUBSTRATE MATERIAL
CONCRETE (MIN. 3000 PSI)
WOOD (S.G. >= 0.42)

FLOOR SUBSTRATE MATERIAL
CONCRETE (MIN. 3000 PSI)
WOOD (S.G. >= 0.42)

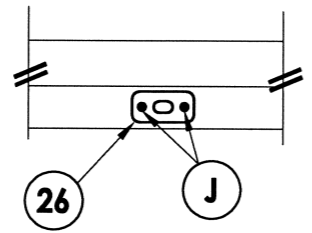
*This anchor required for D.P > 50 psf.



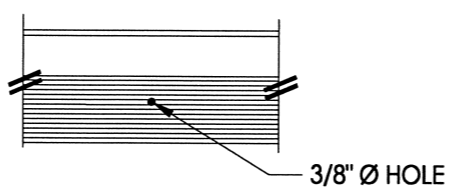
HINGE DETAIL
Inswing



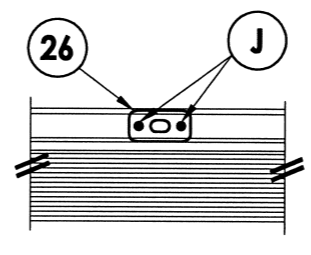
HINGE DETAIL
Outswing



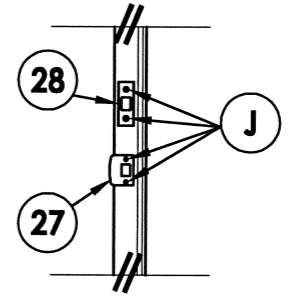
DETAIL 1
Astragal Strike Plate



DETAIL 2
Astragal throw bolt hole
Outswing

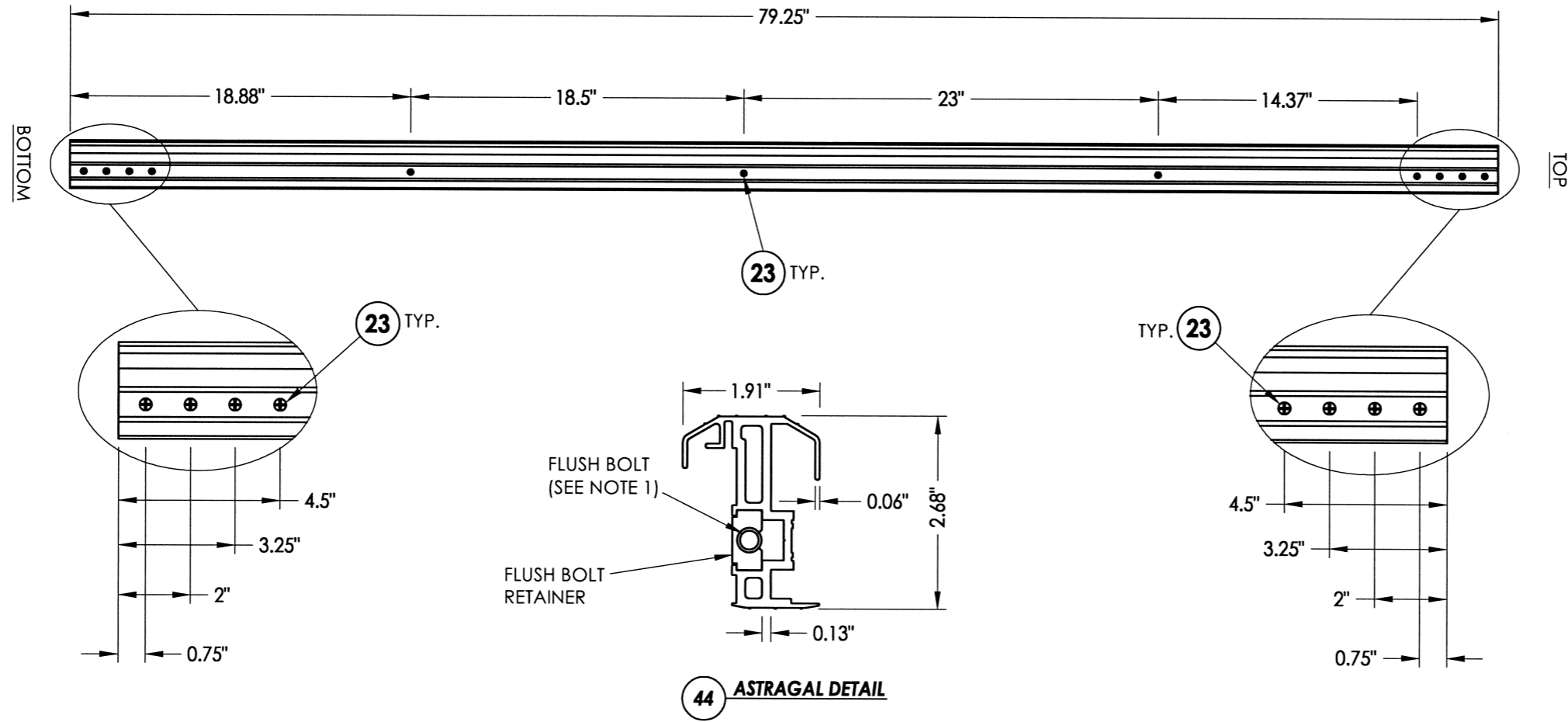


DETAIL 2
Astragal Strike Plate
Inswing



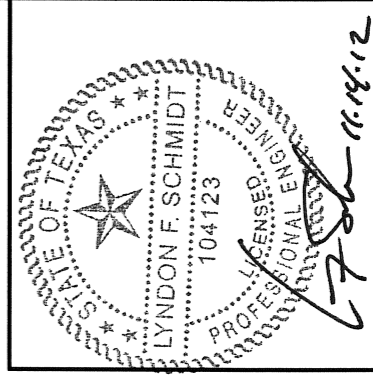
LATCH & DEADBOLT DETAIL

© 2012 R.W. BUILDING CONSULTANTS INC.



NOTE:

1. THE ASTRAGAL BOLT HAS A 3" THROW AT THE TOP AND AT THE BOTTOM.



Documents Prepared By: Lyndon F. Schmidt, P.E.
TEXAS P.E. #104123

RW BUILDING CONSULTANTS, INC.
P.O. Box 230 Valrico FL, 33595
Phone No.: 813.659.9197
TEXAS BOARD OF PROFESSIONAL ENGINEERS
CERTIFICATE OF REGISTRATION # F-11852

PRODUCT: THERMA-TRU
FIBERGLASS DOOR
PART OR ASSEMBLY: ASTRAGAL DETAILS

NO.	DATE	BY

DATE: 10/08/12
SCALE: N.T.S.
DWG. BY: JK
CHK. BY: LFS
DRAWING NO.: TX-4259
SHEET 11 OF 12

R:\A - Projects\Project Folders\Proj 1601 - 1700\PF 1694\DWG\RWBC Drawings\Texas 2012\TX-4258-59.dwg, 12.2

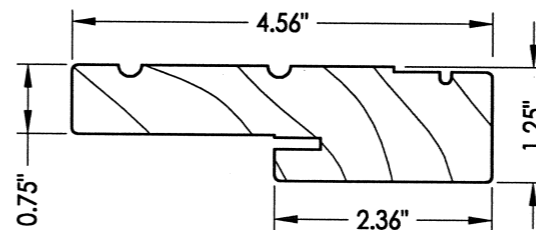
BILL OF MATERIALS

ITEM #	DESCRIPTION	MATERIAL
B	2X BUCK (SG >= 0.42)	WOOD
C	1/4" MAX. SHIM SPACE	-
J	#10 X 2-1/2" PFH WOOD SCREW (MIN. EMB. = 1.15" HEAD/JAMBS, 1-1/2" SILL)	STEEL
M	#10 X 2" PFH WOOD SCREW	STEEL
P	1/4" PFH ELCO OR ITW CONCRETE SCREW (1-3/4" MIN. EMB.)	STEEL
1	JAMB - FINGER JOINTED PINE	WOOD
7	WEATHERSTRIP (Long Reach by Therma-Tru)	FOAM
8	SWEEP	VINYL
9	WEATHERSTRIP (Medium Reach by Therma-Tru)	FOAM
13	INSWING THRESHOLD	ALUM/COMP
14	OUTSWING THRESHOLD	ALUM/COMP
23	#10 X 1-1/2" PH SMS	STEEL
24	#10 x 1" PFH WOOD SCREW	STEEL
26	ASTRAGAL STRIKE PLATE	STEEL
27	LATCH STRIKE PLATE	STEEL
28	DEADBOLT STRIKE PLATE	STEEL
29	4" X 4" HINGE	STEEL
40	DOOR PANEL (SMOOTH STAR/FIBER CLASSIC)	-
41	DOOR PANEL (CLASSIC CRAFT)	-
44	HURRICANE ASTRAGAL	-
50	SIDELITE PANEL (SMOOTH STAR/FIBER CLASSIC)	-
51	SIDELITE PANEL (CLASSIC CRAFT)	-
65	INSWING SIDELITE ADAPTER	PVC
66	OUTSWING SIDELITE ADAPTER	PVC

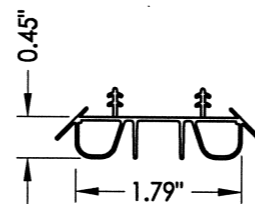
CONCRETE ANCHOR NOTES:

- Concrete anchor locations at the corners may be adjusted to maintain the min. edge distance to mortar joints.
- Concrete anchor locations noted as "MAX. ON CENTER" must be adjusted to maintain the min. edge distance to mortar joints, additional concrete anchors may be required to ensure the "MAX. ON CENTER" dimension are not exceeded.
- Concrete anchor table:

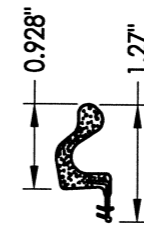
ANCHOR TYPE	ANCHOR SIZE	MIN. EMBEDMENT	MIN. CLEARANCE TO MASONRY EDGE	MIN. CLEARANCE TO ADJACENT ANCHOR
ITW TAPCON®	1/4"	1-3/4"	2-1/2"	3"
ELCO ULTRACON®	1/4"	1-3/4"	1"	3"



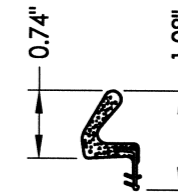
1 WOOD JAMB



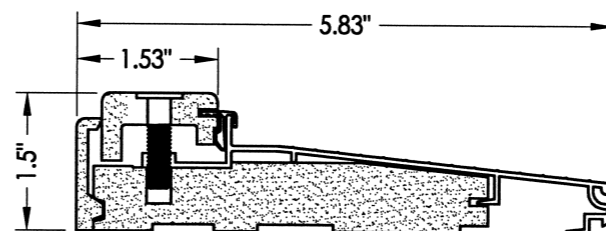
8 SWEEP



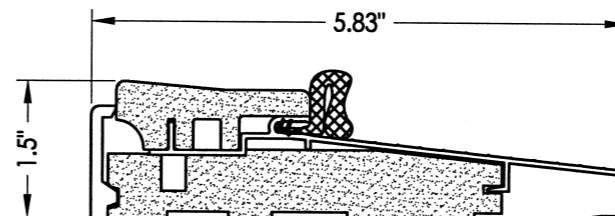
7 WEATHERSTRIP Long Reach



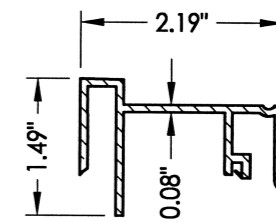
9 WEATHERSTRIP Medium Reach



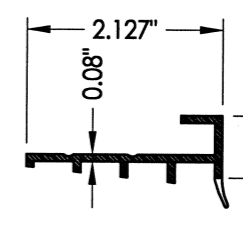
13 INSWING THRESHOLD



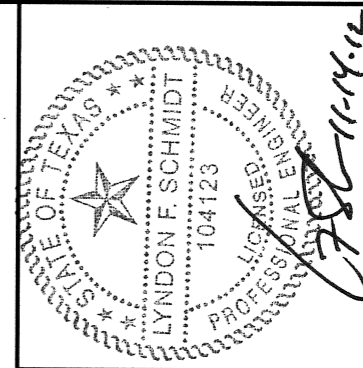
14 OUTSWING THRESHOLD



65 INSWING SIDELITE ADAPTER



66 OUTSWING SIDELITE ADAPTER



Documents Prepared By: Lyndon F. Schmidt, P.E.
TEXAS P.E. #104123

RW BUILDING CONSULTANTS, INC.
P.O. Box 230 Vairico FL 33595
Phone No.: 813.659.9197

TEXAS BOARD OF PROFESSIONAL ENGINEERS
CERTIFICATE OF REGISTRATION # F-11852

PRODUCT: THERMA-TRU FIBERGLASS DOOR

PART OR ASSEMBLY: BILL OF MATERIALS & COMPONENTS

NO.	DATE	BY	REVISIONS

DATE: 10/08/12
SCALE: N.T.S.
DWG. BY: JK
CHK. BY: LFS
DRAWING NO.: TX-4259
SHEET 12 OF 12

© 2012 R.W. BUILDING CONSULTANTS INC.