

"Smooth Star", "Fiber Classic" & "Classic Craft"

Opaque Fiberglass Single Door w/ or w/o Sidelites

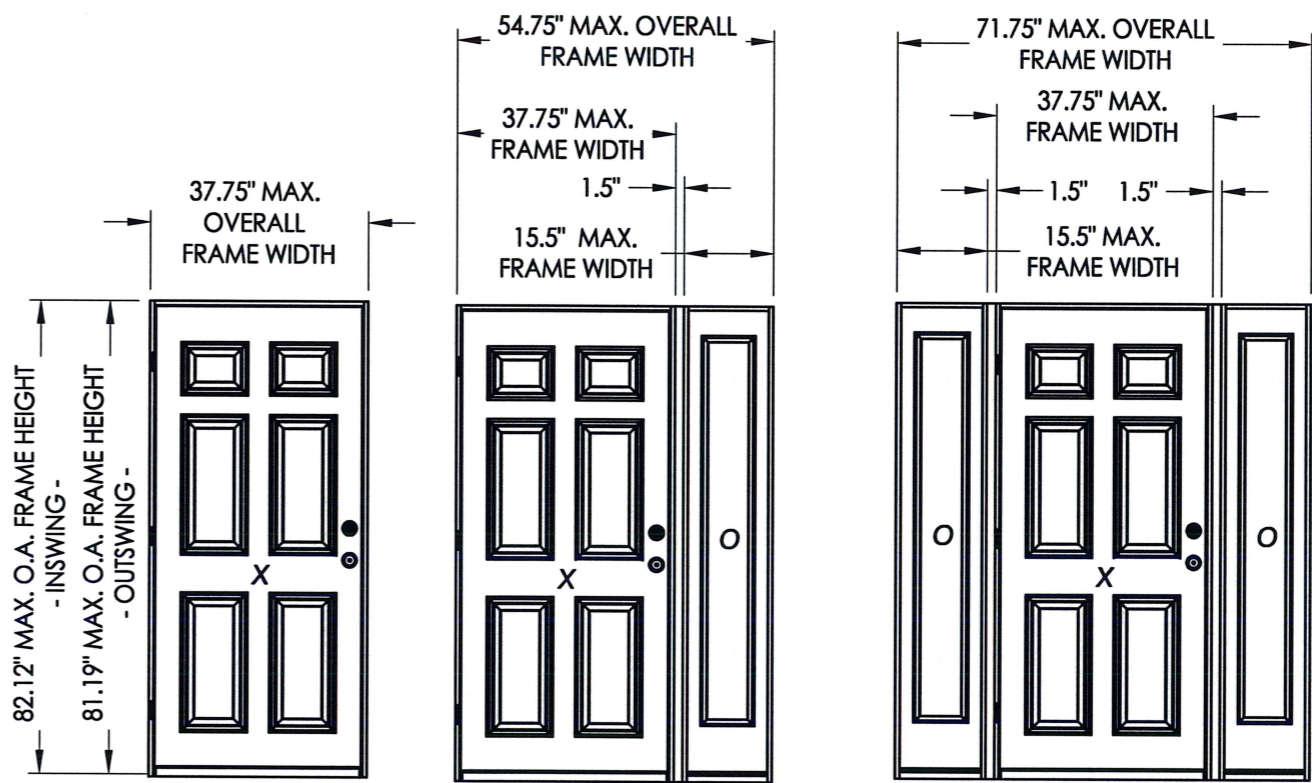
INSWING / OUTSWING
"Non-Impact"



Documents Prepared By: Lyndon F. Schmidt, P.E.
TEXAS P.E. #104123

RW BUILDING CONSULTANTS, INC.
P.O. Box 230 Valrico FL 33595
Phone No.: 813.659.9197

TEXAS BOARD OF PROFESSIONAL ENGINEERS
CERTIFICATE OF REGISTRATION # F-11852



EVALUATED FOR USE IN THE STATE OF TEXAS
The Therma-Tru FIBERGLASS door described herein complies with the 2006 International Residential Code (IRC), Sections R301 & R613 and the 2006 International Building Code (IBC), Sections 1405.12, 1609, 1714.5, 2403 and 2404 (including Texas revisions) subject to the following conditions:

1. Anchors shall be as listed and spaced as shown in the details. Anchor embedment to base material shall be beyond wall dressing or stucco.
2. When used in areas requiring wind-borne debris protection, this product is required to be protected with an impact resistant covering that complies with Section R301.2.1.2 of the IRC and Section 1609.1.2 of the IBC.
3. Allowable design pressure requirements must be equal to or less than the design pressure rating shown in the design pressure chart, sheet 1 of this drawing.
4. Conditions not covered by this drawing are subject to further engineering analysis.

TABLE OF CONTENTS	
SHEET #	DESCRIPTION
1	Typical elevations, design pressures & general notes
2	Door panel details (Smooth Star/Fiber Classic)
3	Door panel details (Classic Craft)
4	Sidelite panel & glazing detail (Smooth Star/Fiber Classic)
5	Sidelite panel & glazing detail (Classic Craft)
6	Elevations
7	Horizontal cross sections
8	Vertical cross sections
9	Vertical cross sections
10	Frame anchoring
11	Frame anchoring
12	Bill of materials and components

CONFIGURATION	MAX. FRAME DIMENSION	SWING	DESIGN PRESSURE (PSF) SMOOTH STAR / FIBER CLASSIC		DESIGN PRESSURE (PSF) CLASSIC CRAFT	
			POSITIVE	NEGATIVE	POSITIVE	NEGATIVE
X	37.75" x 82.12"	INSWING	+65.0	-70.0	+65.0	-70.0
	37.75" x 81.19"	OUTSWING	+65.0	-65.0	+65.0	-65.0
OX or XO	54.75" x 82.12"	INSWING	+65.0	-70.0	+65.0	-70.0
	54.75" x 81.19"	OUTSWING	+65.0	-65.0	+65.0	-65.0
OXO	71.75" x 82.12"	INSWING	+65.0	-70.0	+65.0	-70.0
	71.75" x 81.19"	OUTSWING	+65.0	-65.0	+65.0	-65.0

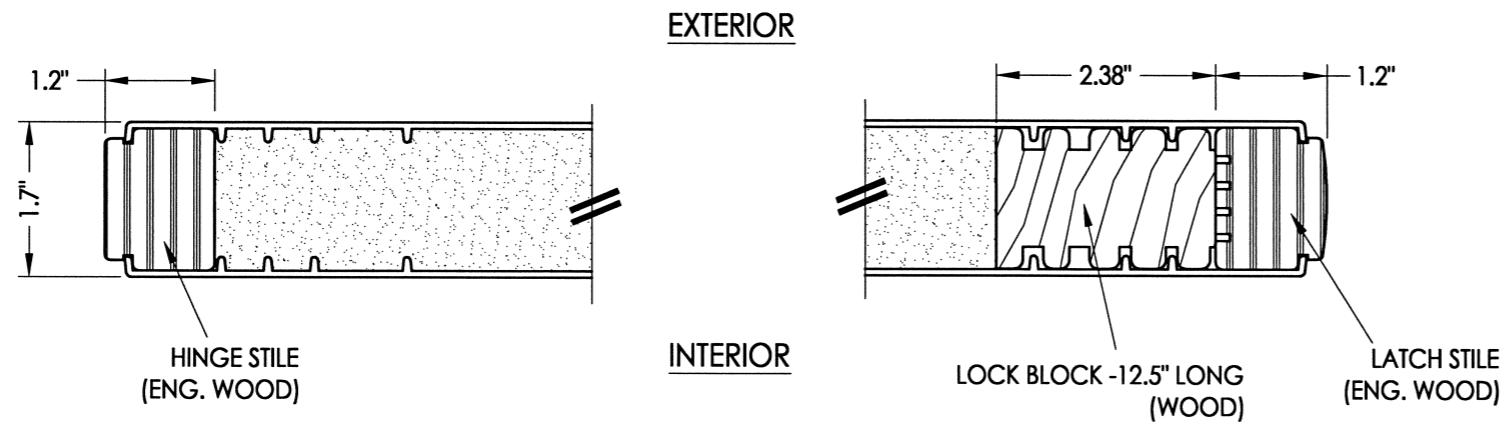
PRODUCT: THERMA-TRU FIBERGLASS DOOR

PART OR ASSEMBLY: TYPICAL ELEVATION, DESIGN PRESSURES & GENERAL NOTES

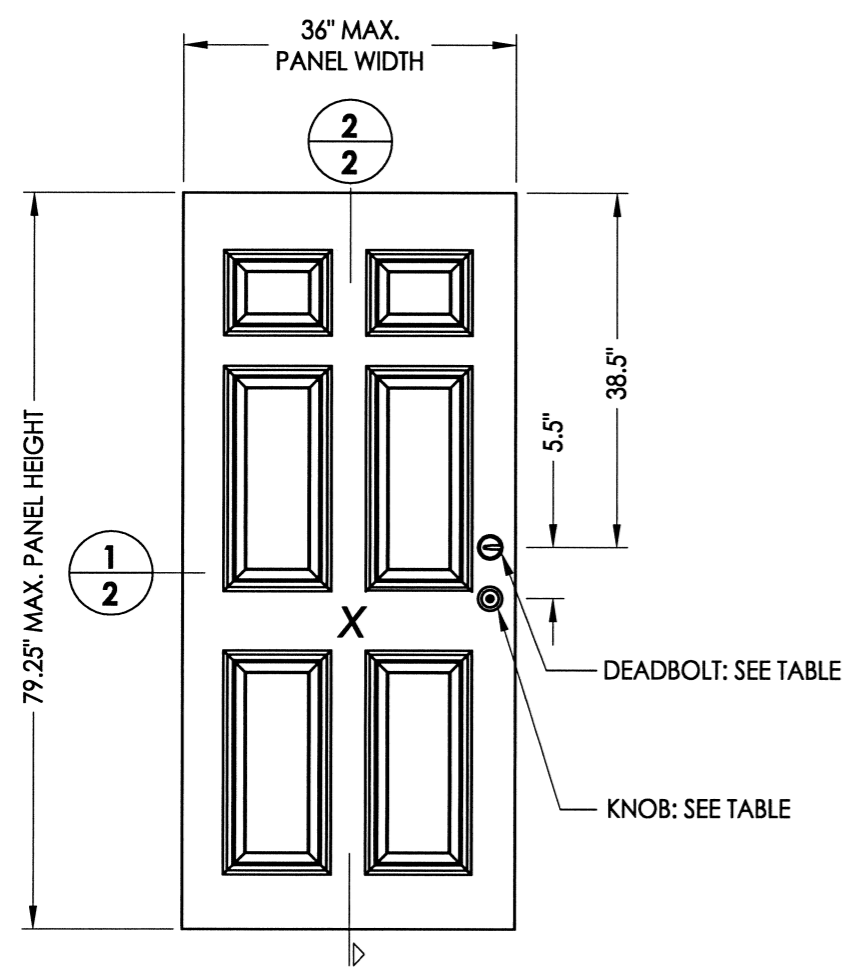
NO.	DATE	BY	REVISIONS

DATE: 10/08/12
SCALE: N.T.S.
DWG. BY: JK
CHK. BY: LFS
DRAWING NO.: TX-4258
SHEET 1 OF 12

R:\A - Projects\Project Folders\Proj 1601 - 1700\PF 1694\D. RWBC Drawings\Texas 2012\TX-4258-59.dwg, 2

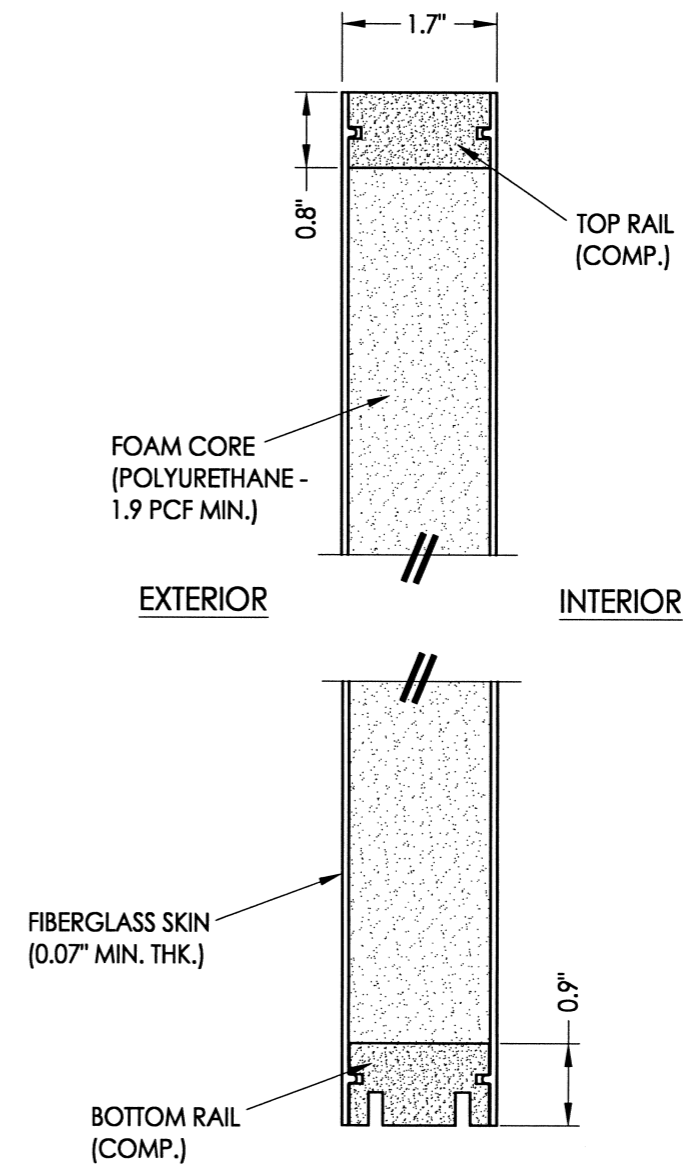


1
2 HORIZONTAL CROSS SECTION

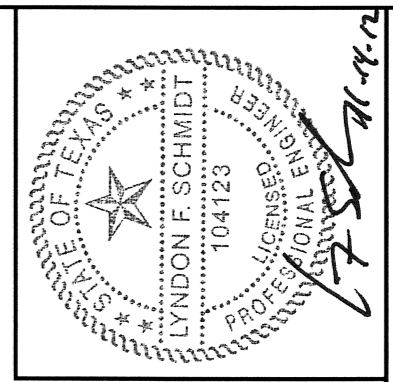


40 DOOR PANEL
Smooth Star/Fiber Classic

HARDWARE TABLE		
MANUFACTURER	MODEL	
KWIKSET	KNOB:	SIGNATURE SERIES
	DEADBOLT:	SIGNATURE SERIES (980)
SCHLAGE	KNOB:	"F" SERIES
	DEADBOLT:	"B" SERIES



2
2 VERTICAL CROSS SECTION



Documents Prepared By: Lyndon F. Schmidt, P.E.
TEXAS P.E. #104123

RW BUILDING CONSULTANTS, INC.
P.O. Box 230 Valrico FL 33595
Phone No.: 813.659.9197

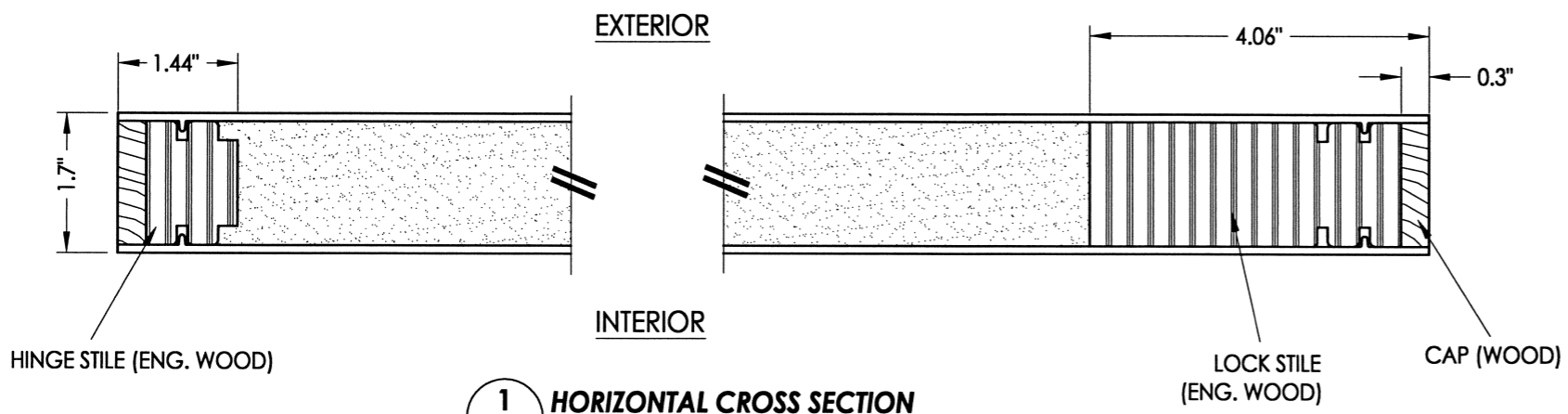
TEXAS BOARD OF PROFESSIONAL ENGINEERS
CERTIFICATE OF REGISTRATION # F-11852

PRODUCT: THERMA-TRU
FIBERGLASS DOOR

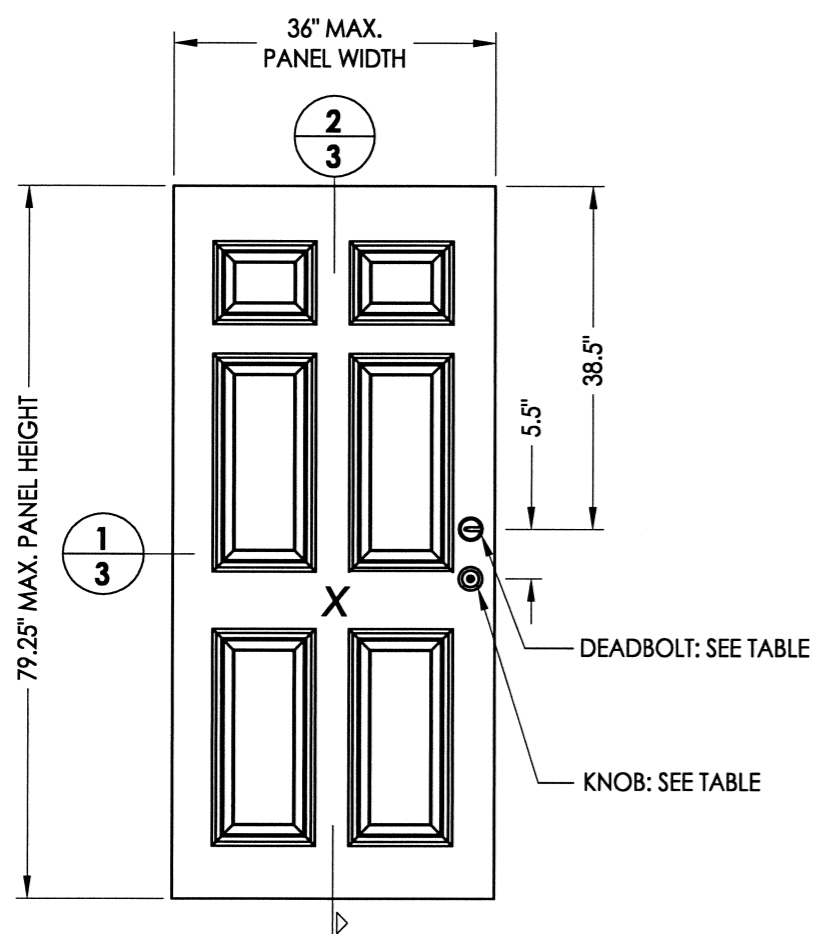
PART OR ASSEMBLY:
DOOR PANEL DETAILS

NO.	DATE	BY	REVISIONS

DATE: 10/08/12
SCALE: N.T.S.
DWG. BY: JK
CHK. BY: LFS
DRAWING NO.: TX-4258
SHEET 2 OF 12

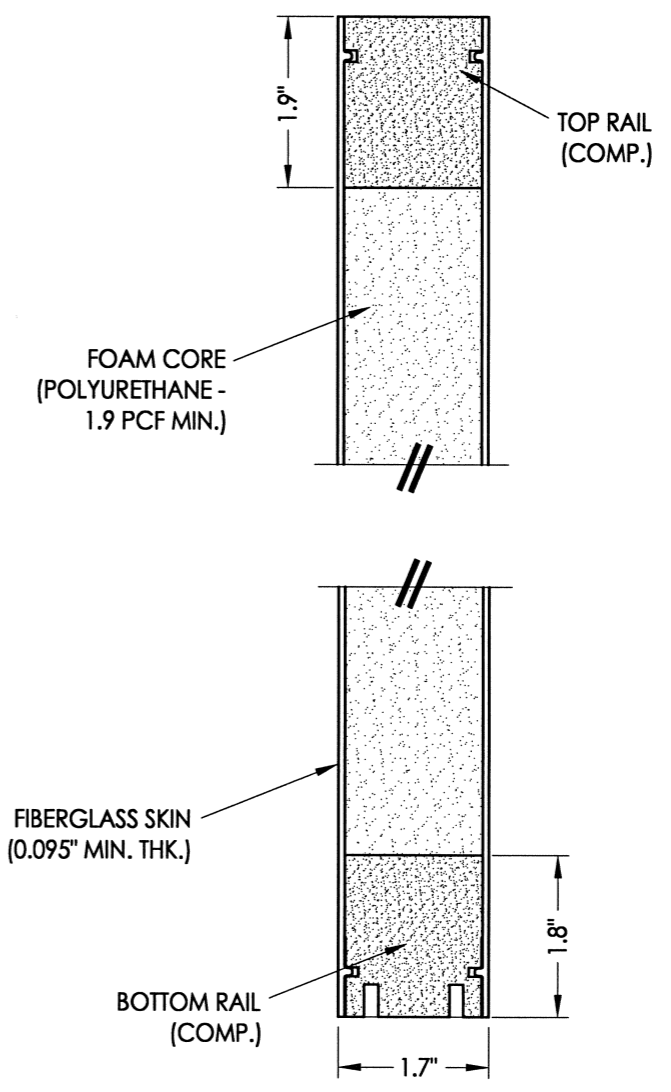


1
3 **HORIZONTAL CROSS SECTION**

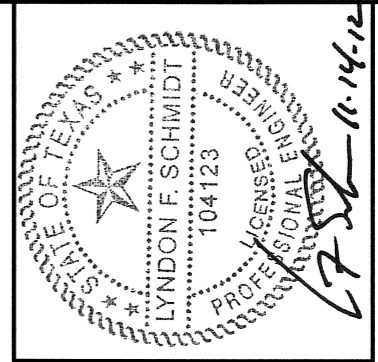


41 **DOOR PANEL**
Classic Craft

HARDWARE TABLE		
MANUFACTURER	MODEL	
KWIKSET	KNOB:	SIGNATURE SERIES
	DEADBOLT:	SIGNATURE SERIES (980)
SCHLAGE	KNOB:	"F" SERIES
	DEADBOLT:	"B" SERIES



2
3 **VERTICAL CROSS SECTION**



Documents Prepared By: Lyndon F. Schmidt, P.E.
TEXAS P.E. #104123

RW BUILDING CONSULTANTS, INC.
P.O. Box 230 Vairloo FL 33595
Phone No.: 813.659.9197

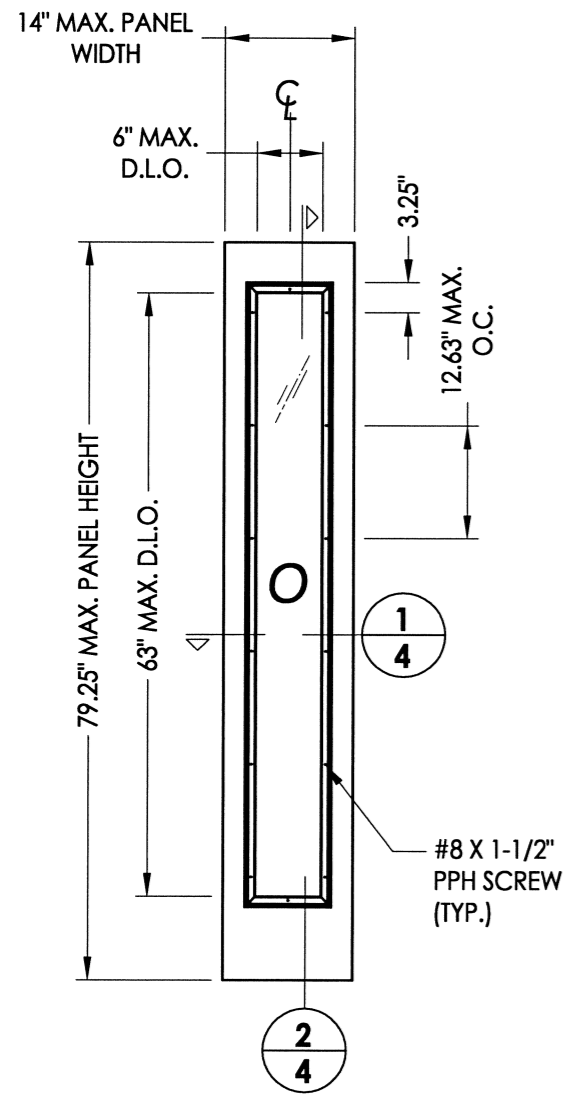
TEXAS BOARD OF PROFESSIONAL ENGINEERS
CERTIFICATE OF REGISTRATION # F-11852

PRODUCT: THERMA-TRU
FIBERGLASS DOOR

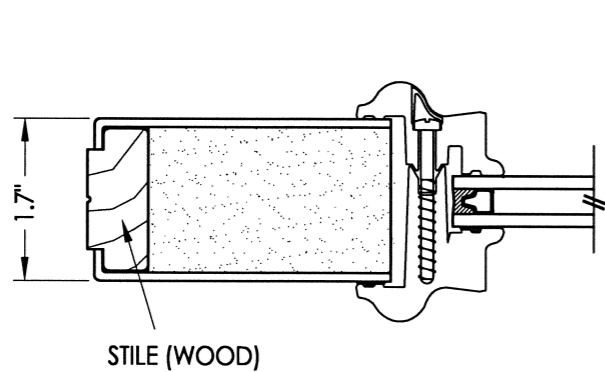
PART OR ASSEMBLY:
DOOR PANEL DETAILS

NO.	DATE	BY	REVISIONS

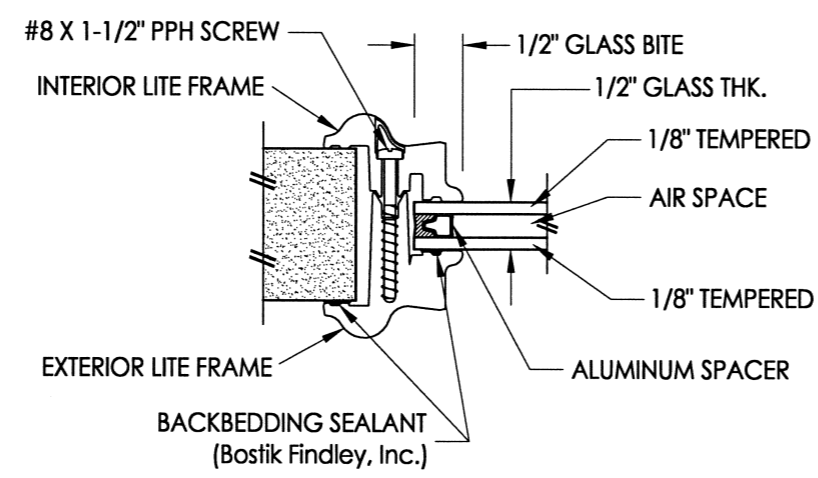
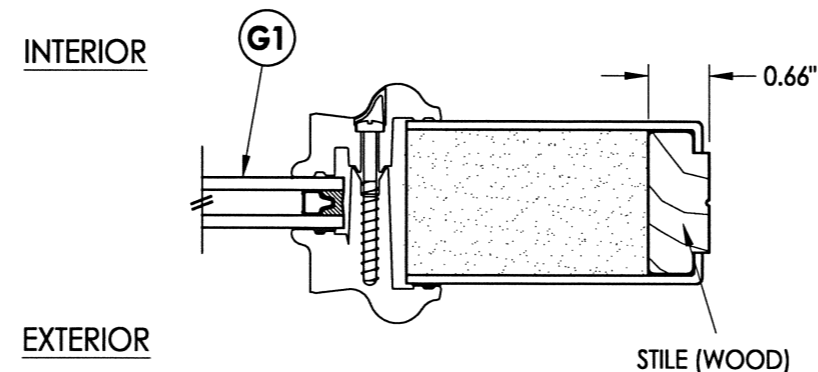
DATE: 10/08/12
SCALE: N.T.S.
DWG. BY: JK
CHK. BY: LFS
DRAWING NO.: TX-4258
SHEET 3 OF 12



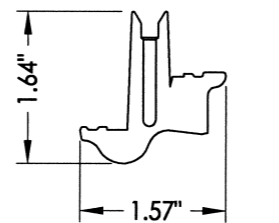
50 SIDELITE PANEL
Smooth Star/Fiber Classic



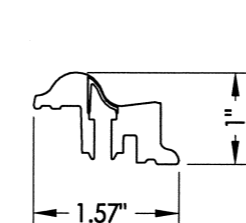
1/4 HORIZONTAL CROSS SECTION



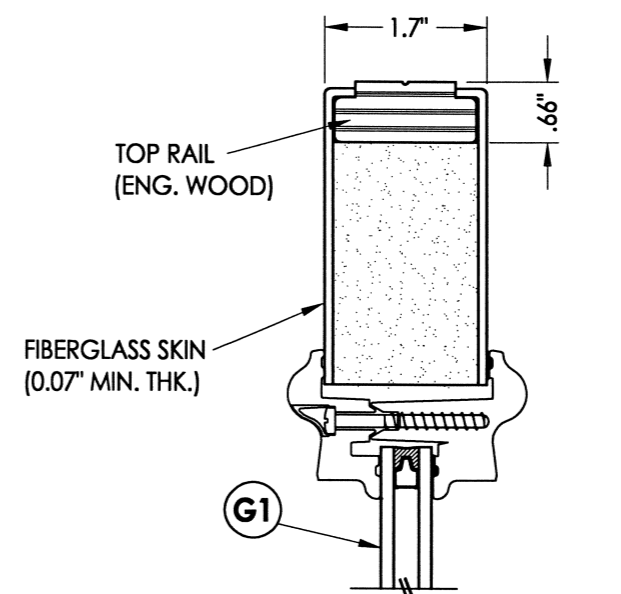
G1 GLAZING DETAIL
BTS Lip Lite Frame



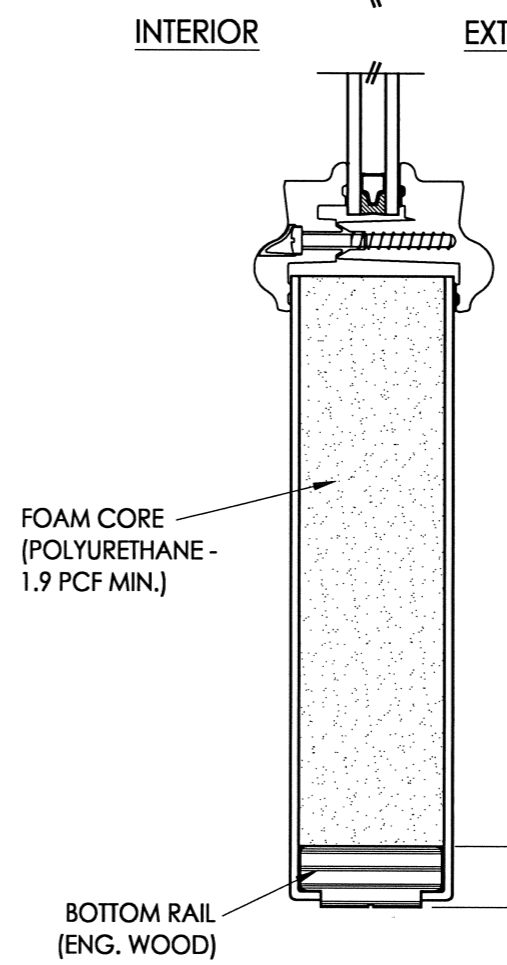
EXTERIOR LITE FRAME
BTS



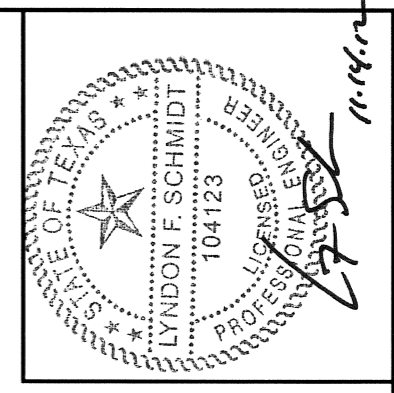
INTERIOR LITE FRAME
BTS



2/4 VERTICAL CROSS SECTION



2/4 VERTICAL CROSS SECTION



Documents Prepared By: Lyndon F. Schmidt, P.E.
TEXAS P.E. #104123

RW BUILDING CONSULTANTS, INC.
P.O. Box 230 Valrico FL 33595
Phone No.: 813.659.9197

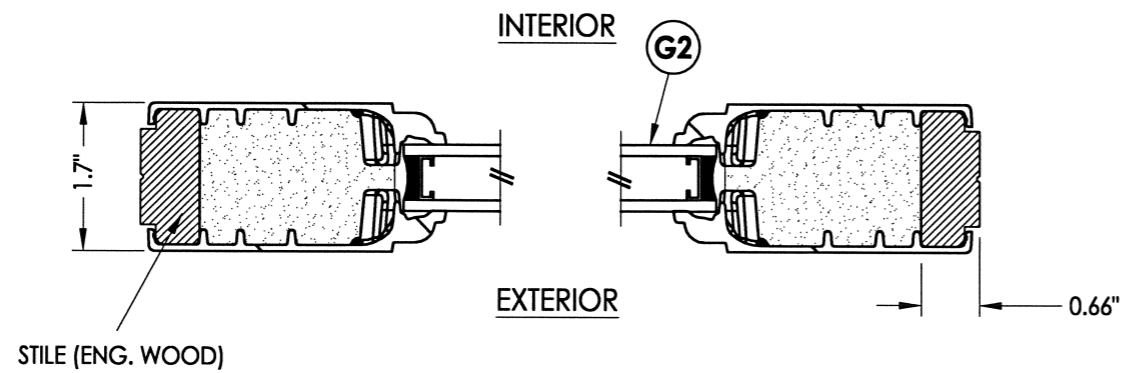
TEXAS BOARD OF PROFESSIONAL ENGINEERS
CERTIFICATE OF REGISTRATION # F-11852

PRODUCT: THERMA-TRU
FIBERGLASS DOOR

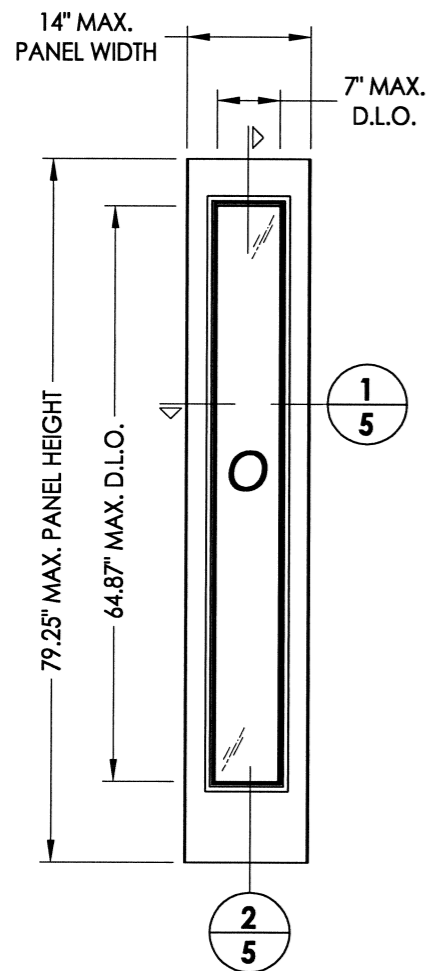
PART OR ASSEMBLY:
SIDELITE PANEL & GLAZING DETAIL
(SMOOTH STAR/FIBER CLASSIC)

NO.	DATE	BY	REVISIONS

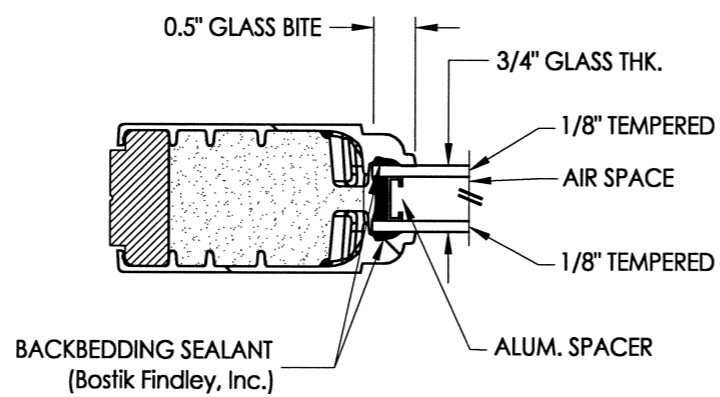
DATE: 10/08/12
SCALE: N.T.S.
DWG. BY: JK
CHK. BY: LFS
DRAWING NO.: TX-4258
SHEET 4 OF 12



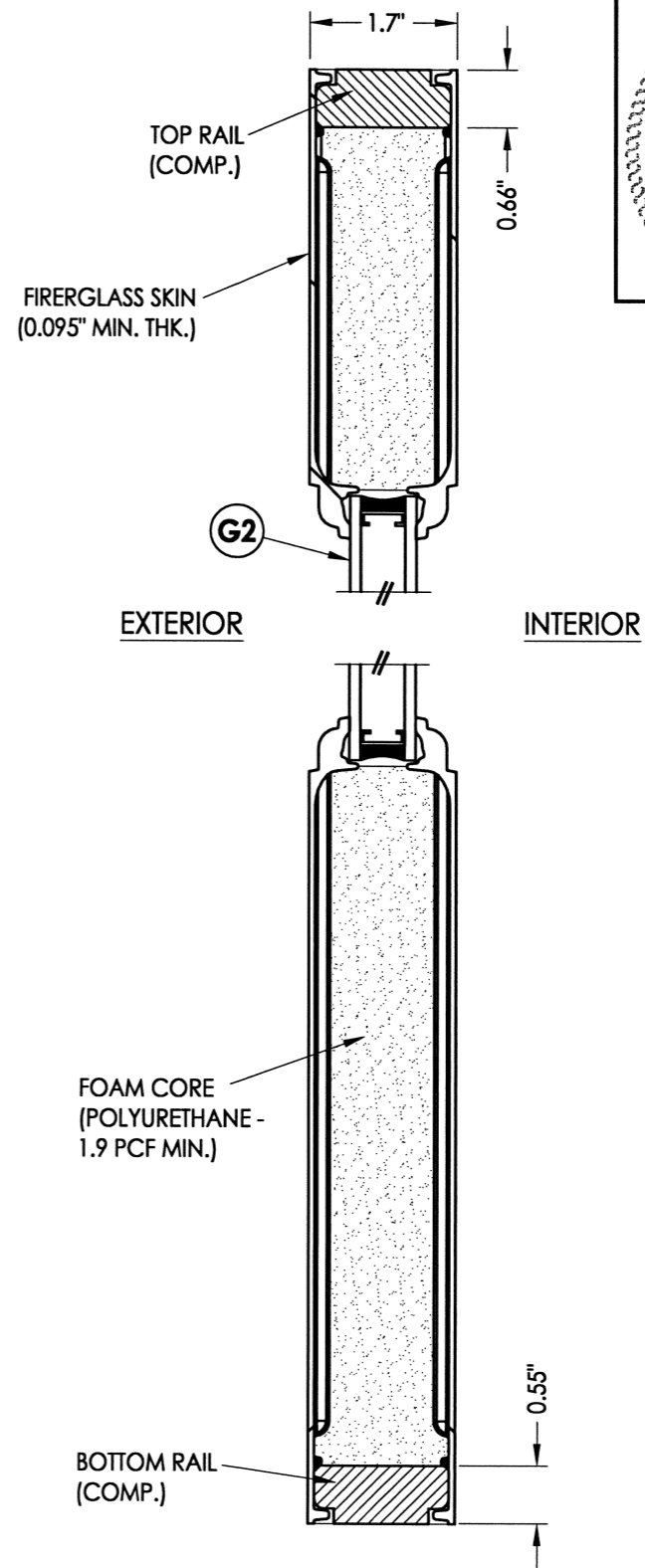
1
5 **HORIZONTAL CROSS SECTION**



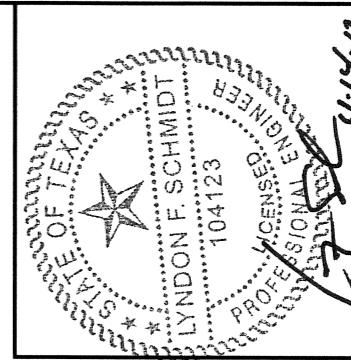
51 **SIDELITE PANEL**
Classic Craft



G2 **GLAZING DETAIL**
Flush Glazed



2
5 **VERTICAL CROSS SECTION**



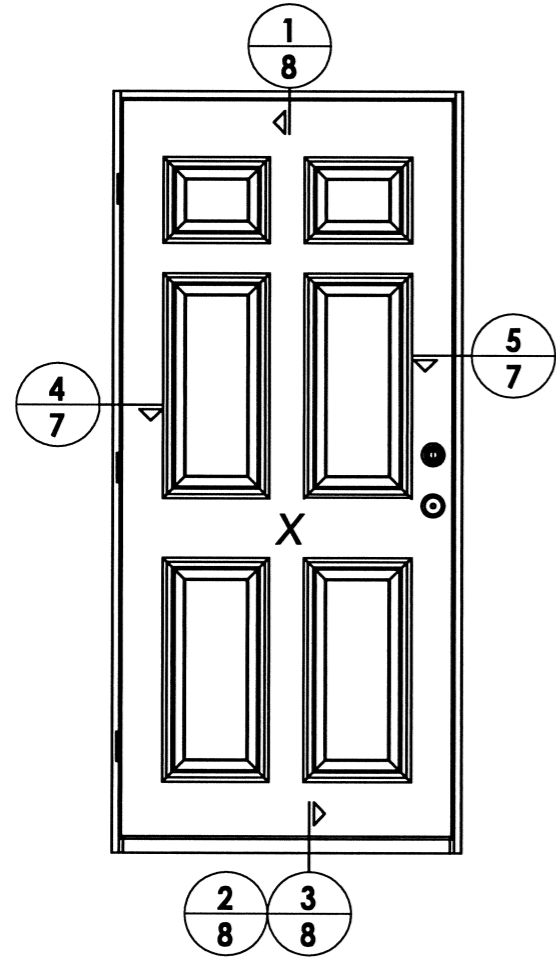
Documents Prepared By: Lyndon F. Schmidt, P.E.
TEXAS P.E. #104123

RW BUILDING CONSULTANTS, INC.
P.O. Box 230 Valrico FL 33595
Phone No.: 813.659.9197
TEXAS BOARD OF PROFESSIONAL ENGINEERS
CERTIFICATE OF REGISTRATION # F-11852

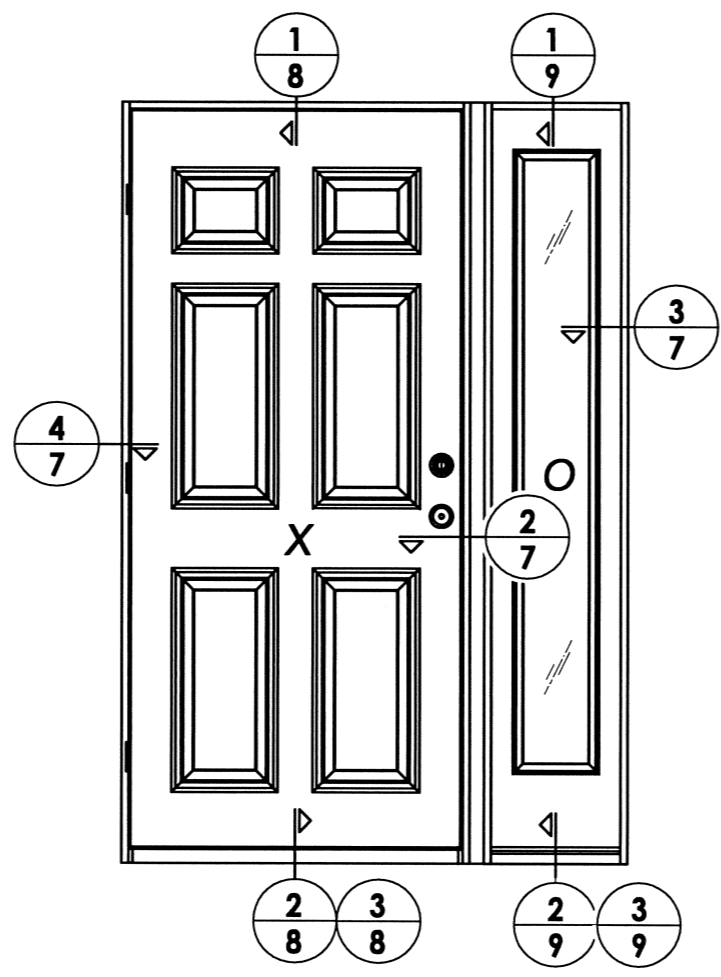
PRODUCT:	THERMA-TRU FIBERGLASS DOOR
PART OR ASSEMBLY:	SIDELITE PANEL & GLAZING DETAIL (CLASSIC CRAFT)

NO.	DATE	BY	REVISIONS

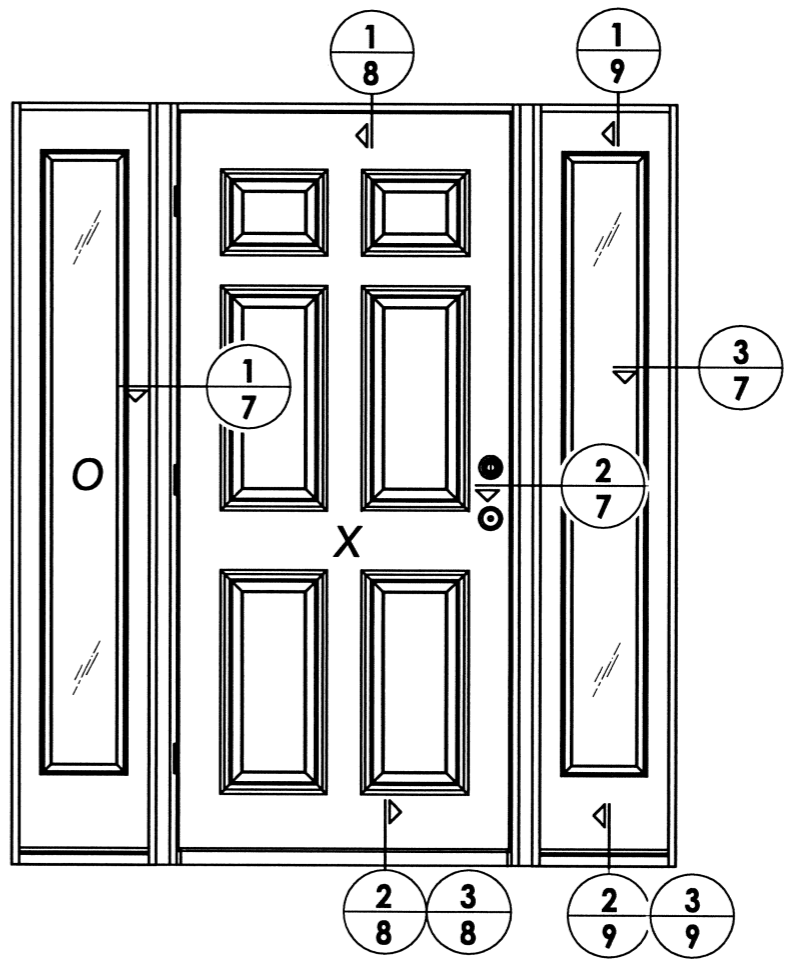
DATE:	10/08/12
SCALE:	N.T.S.
DWG. BY:	JK
CHK. BY:	LFS
DRAWING NO.:	TX-4258
SHEET	5 OF 12



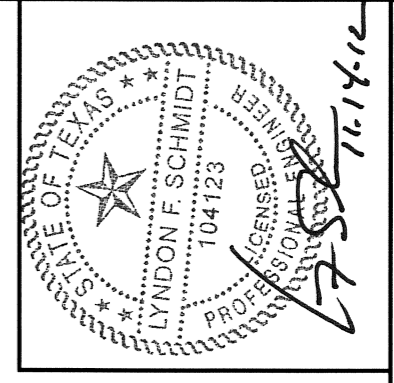
ELEVATION (X)



ELEVATION (OX / XO)



ELEVATION (OXO)



Documents Prepared By: Lyndon F. Schmidt, P.E.
 TEXAS P.E. #104123

R.W. BUILDING CONSULTANTS, INC.
 P.O. Box 230 Vairico FL 33595
 Phone No.: 813.659.9197

TEXAS BOARD OF PROFESSIONAL ENGINEERS
 CERTIFICATE OF REGISTRATION # F-11852

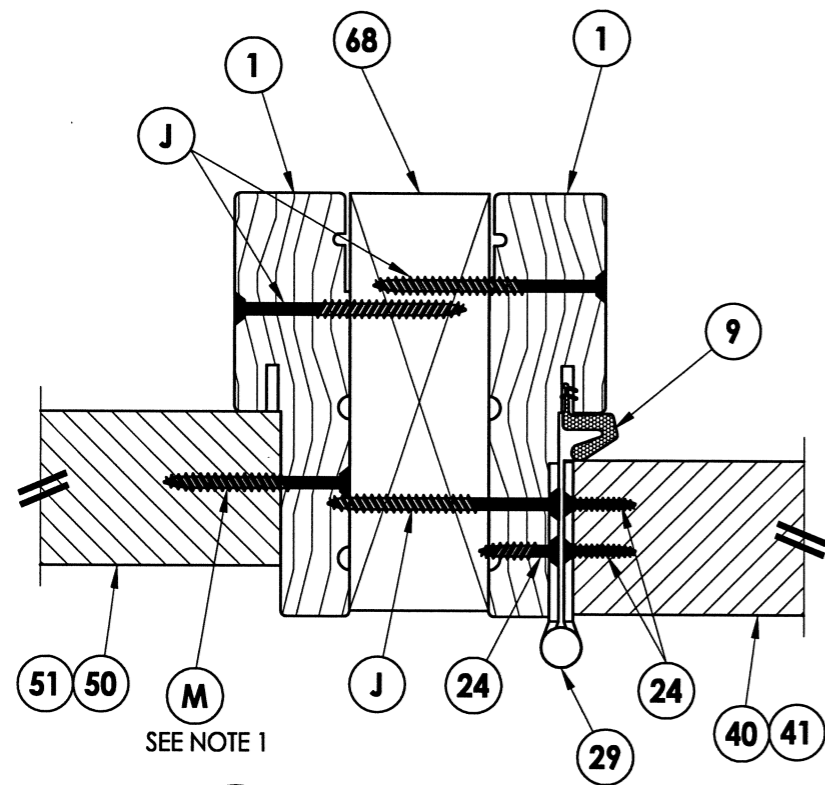
PRODUCT: THERMA-TRU
 FIBERGLASS DOOR

PART OR ASSEMBLY: ELEVATIONS

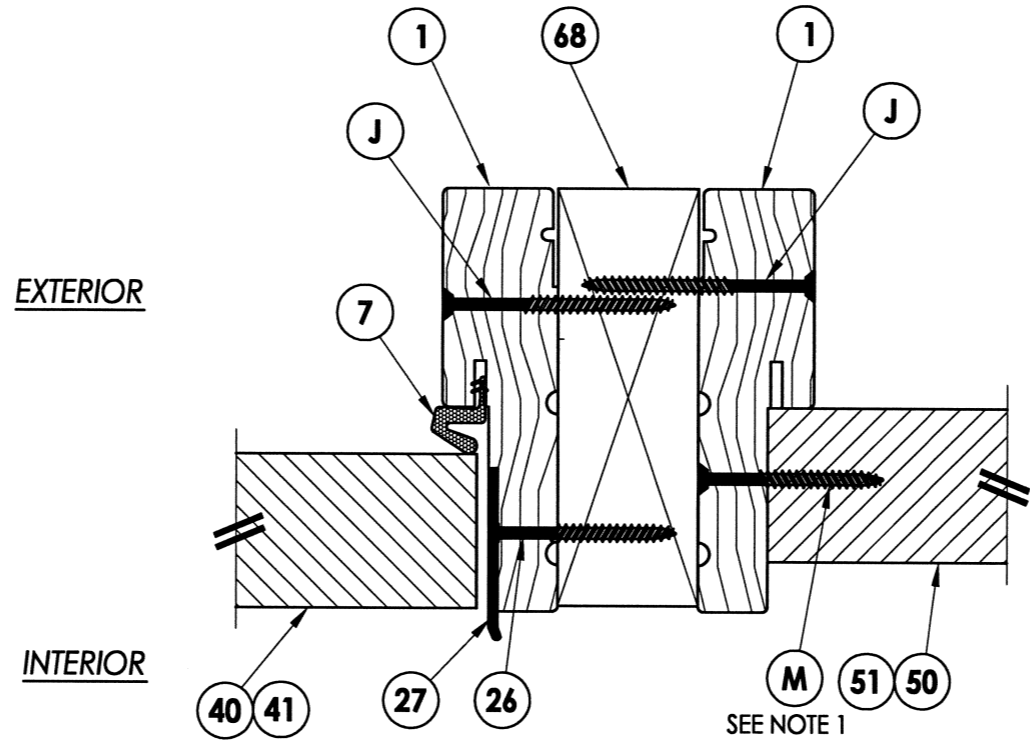
NO.	DATE	BY

DATE: 10/08/12
 SCALE: N.T.S.
 DWG. BY: JK
 CHK. BY: LFS
 DRAWING NO.: TX-4258
 SHEET 6 OF 12

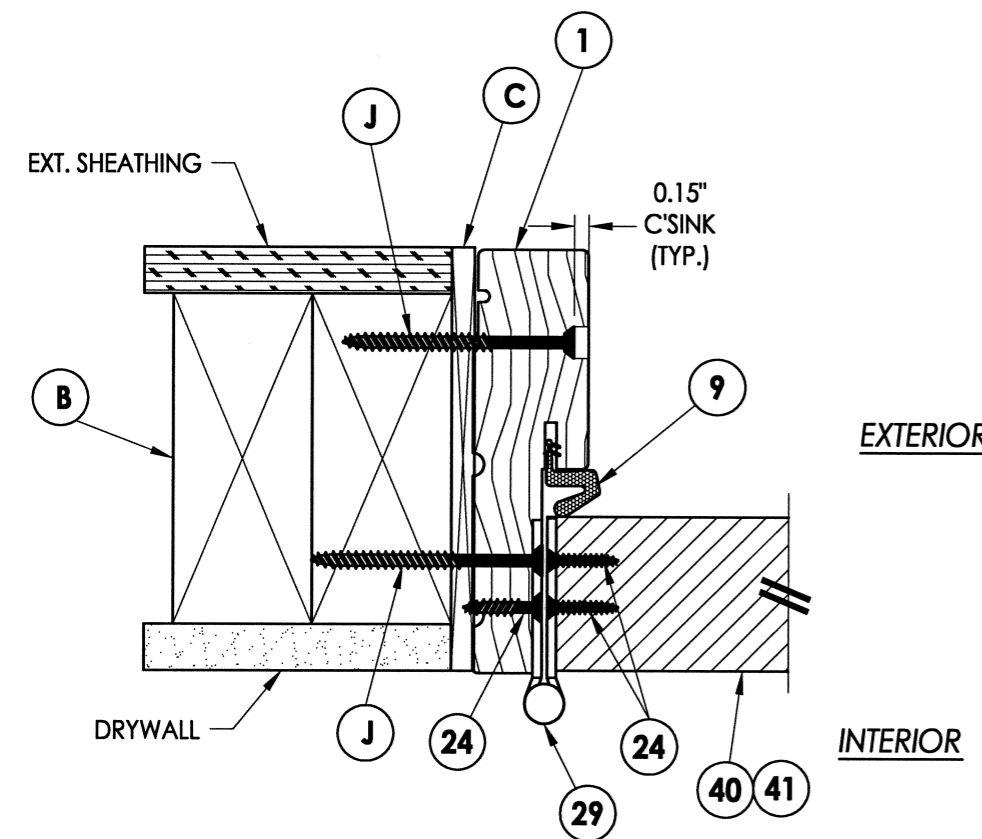
R:\A - Projects\Project Folders\Proj 1601 - 1700\PF 1694\DWG Drawings\Texas 2012\TX-4258-59.dwg, 7



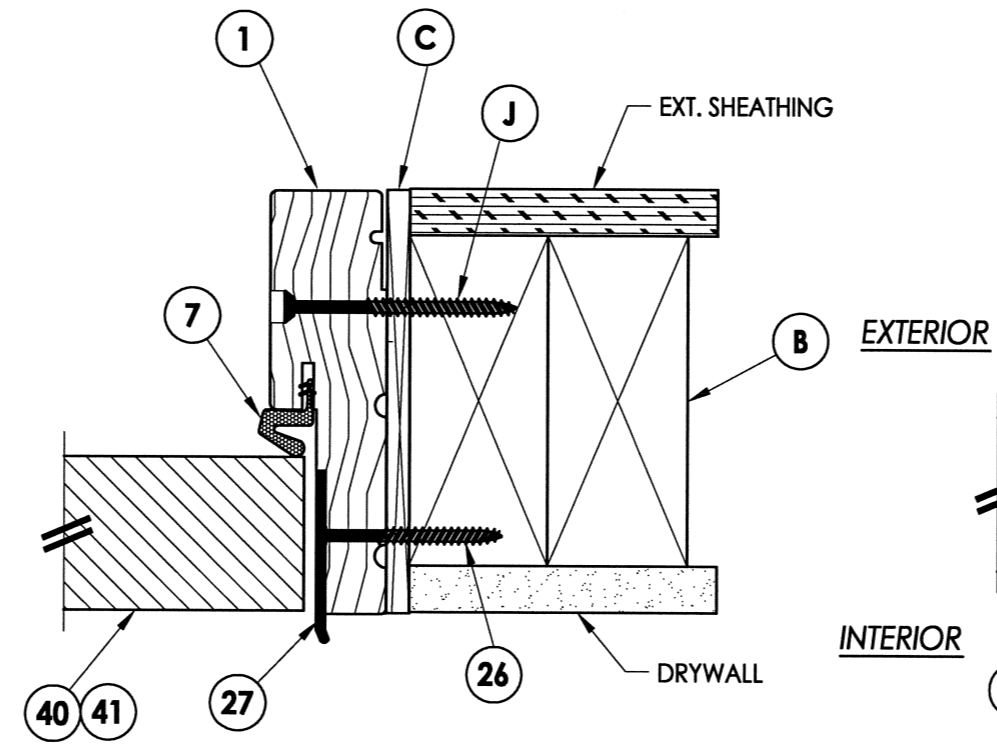
1 HORIZONTAL CROSS SECTION
7 Inswing shown - Outswing also approved



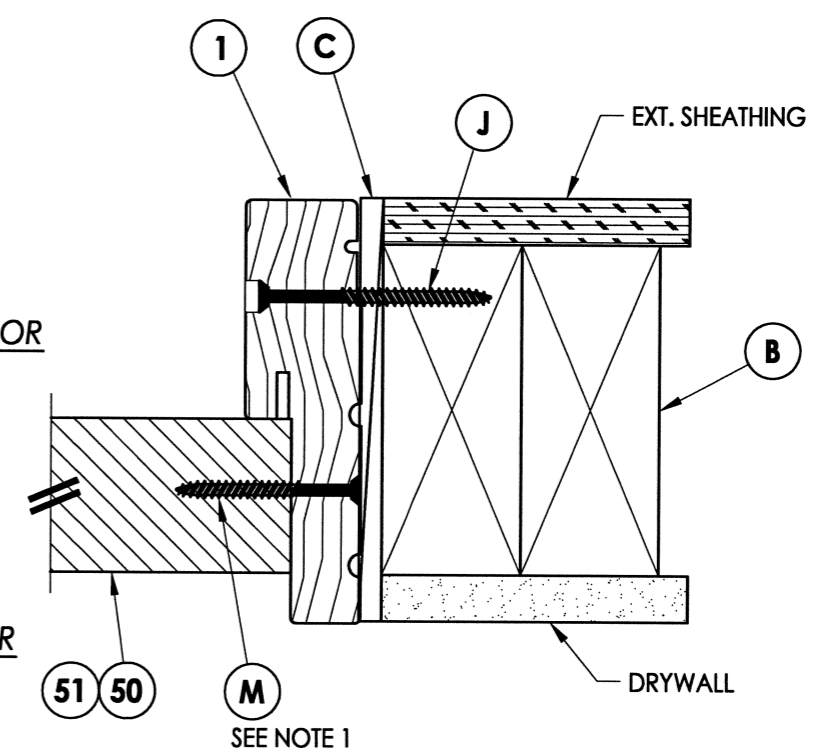
2 HORIZONTAL CROSS SECTION
7 Inswing shown - Outswing also approved



4 HORIZONTAL CROSS SECTION
7 Inswing shown - Outswing also approved

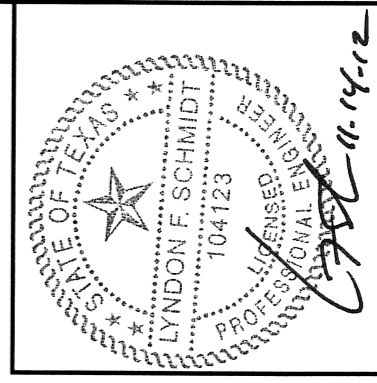


5 HORIZONTAL CROSS SECTION
7 Inswing shown - Outswing also approved



3 HORIZONTAL CROSS SECTION
7 Inswing shown - Outswing also approved

Note:
 1. Sidelite assembly screws located 11-1/2" from each end plus 1 more at the center of jamb (3 total).



Documents Prepared By: Lyndon F. Schmidt, P.E.
 TEXAS P.E. #104123

RW BUILDING CONSULTANTS, INC.
 P.O. Box 230 Valrico FL 33595
 Phone No.: 813.659.9197

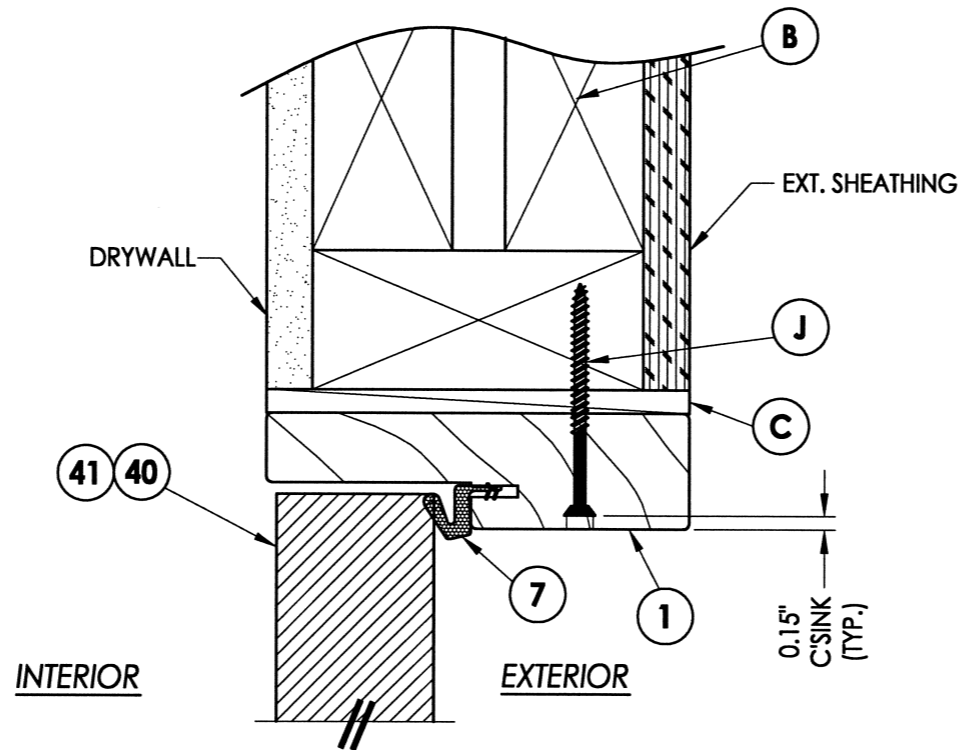
TEXAS BOARD OF PROFESSIONAL ENGINEERS
 CERTIFICATE OF REGISTRATION # F-11852

PRODUCT: THERMA-TRU FIBERGLASS DOOR
 PART OR ASSEMBLY: HORIZONTAL CROSS SECTIONS

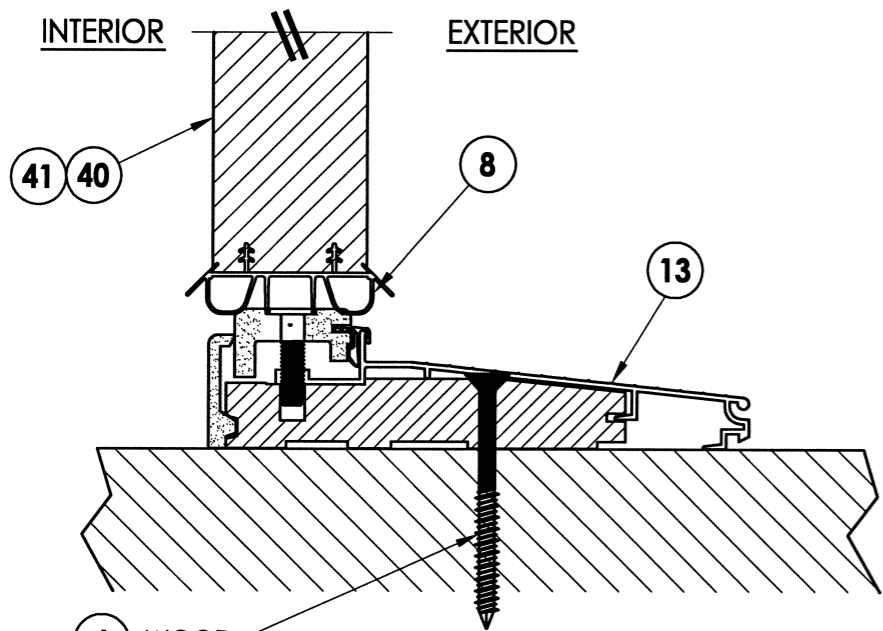
NO.	DATE	BY	REVISIONS

DATE: 10/08/12
 SCALE: N.T.S.
 DWG. BY: JK
 CHK. BY: LFS
 DRAWING NO.: TX-4258
 SHEET 7 OF 12

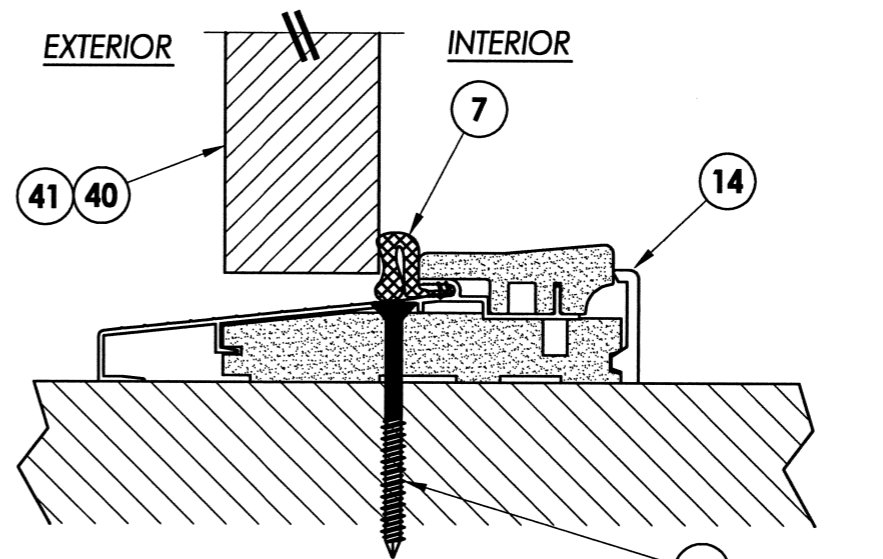
© 2012 R.W. BUILDING CONSULTANTS INC.



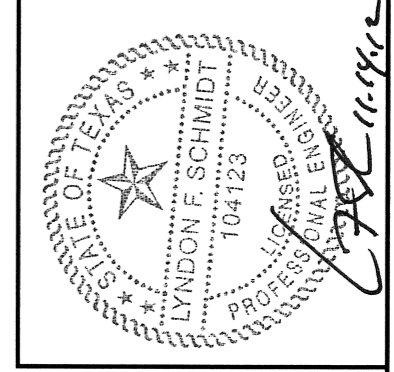
1 VERTICAL CROSS SECTION
8 Inswing shown - Outswing also approved



2 VERTICAL CROSS SECTION
8 Inswing configuration



3 VERTICAL CROSS SECTION
8 Outswing configuration



Documents Prepared By: Lyndon F. Schmidt, P.E.
 TEXAS P.E. #104123

RW BUILDING CONSULTANTS, INC.
 P.O. Box 230 Valrico FL 33595
 Phone No.: 813.659.9197

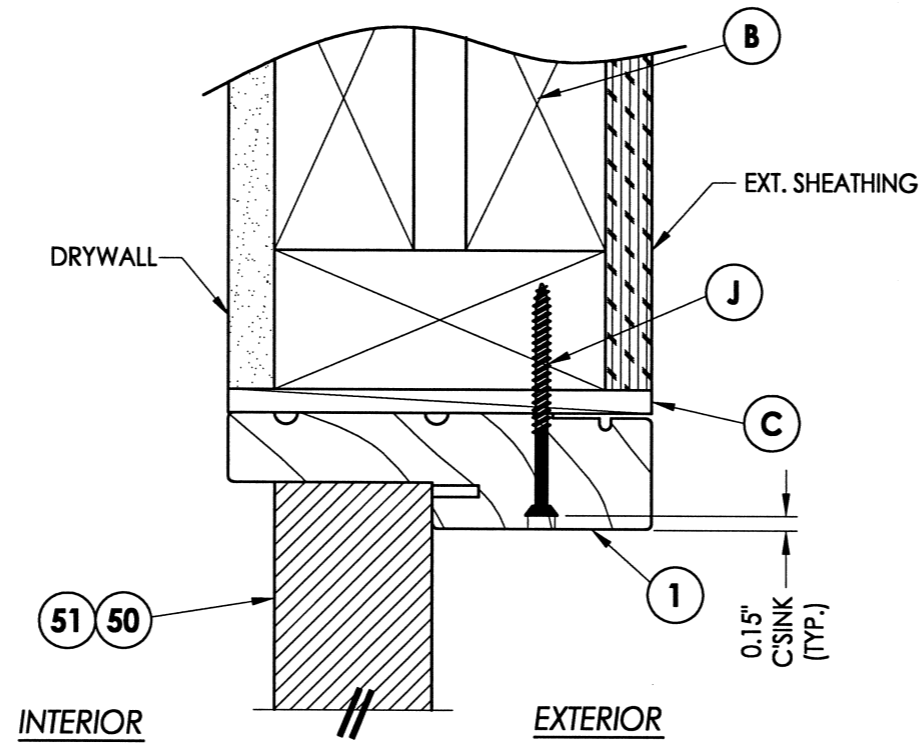
TEXAS BOARD OF PROFESSIONAL ENGINEERS
 CERTIFICATE OF REGISTRATION # F-11852

PRODUCT: THERMA-TRU FIBERGLASS DOOR
 PART OR ASSEMBLY: VERTICAL CROSS SECTIONS

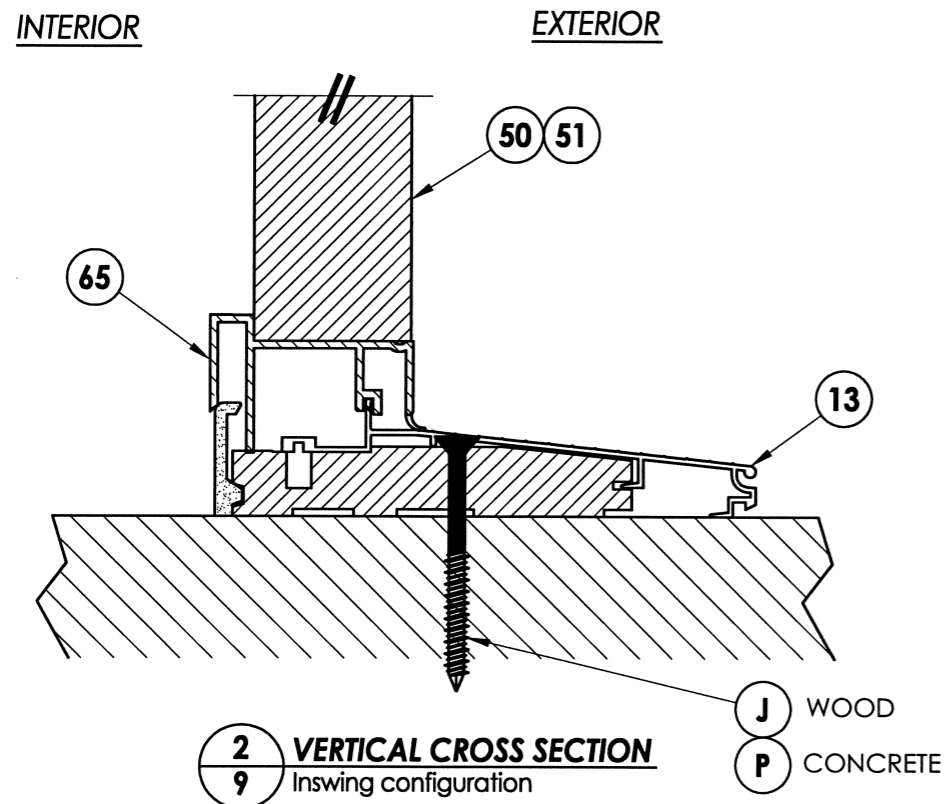
NO.	DATE	BY

DATE: 10/08/12
 SCALE: N.T.S.
 DWG. BY: JK
 CHK. BY: LFS
 DRAWING NO.: TX-4258
 SHEET 8 of 12

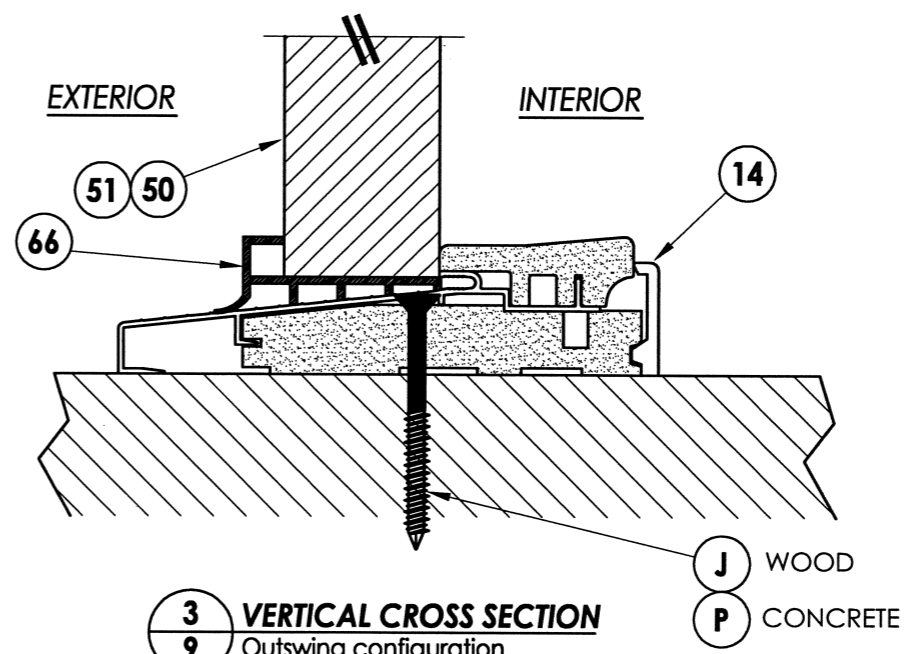
R:\A - Projects\Project Folders\Proj_1601 - 1700\PF_1694\1.D. RWBC Drawings\Texas 2012\TX-4258-59.dwg, 9



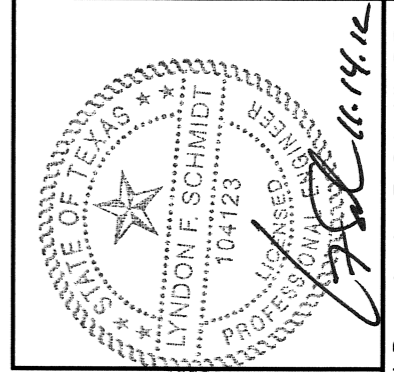
1 VERTICAL CROSS SECTION
9 Inswing shown - Outswing also approved



2 VERTICAL CROSS SECTION
9 Inswing configuration



3 VERTICAL CROSS SECTION
9 Outswing configuration



Documents Prepared By: Lyndon F. Schmidt, P.E.
 TEXAS P.E. #104123

RW BUILDING CONSULTANTS, INC.
 P.O. Box 230 Valrico FL 33595
 Phone No.: 813.659.9197

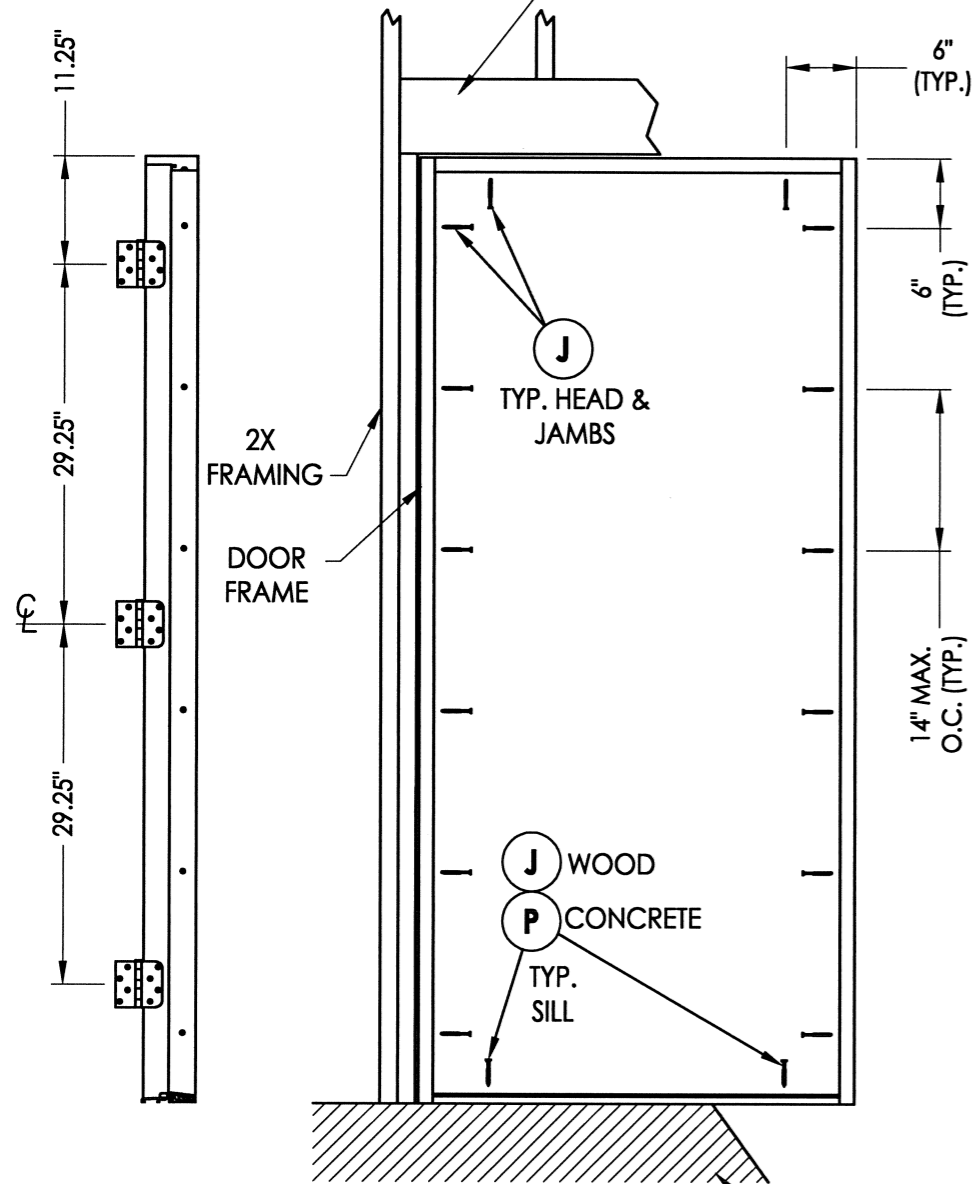
TEXAS BOARD OF PROFESSIONAL ENGINEERS
 CERTIFICATE OF REGISTRATION # F-11852

PRODUCT: THERMA-TRU FIBERGLASS DOOR
 PART OR ASSEMBLY: VERTICAL CROSS SECTIONS

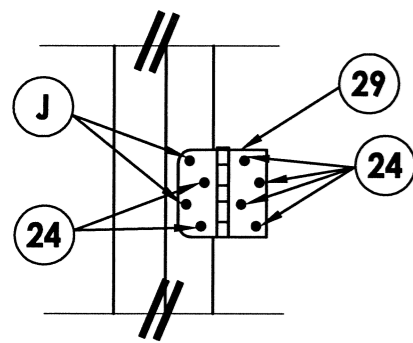
NO.	DATE	BY	REVISIONS

DATE: 10/08/12
 SCALE: N.T.S.
 DWG. BY: JK
 CHK. BY: LFS
 DRAWING NO.: TX-4258
 SHEET 9 OF 12

2X FRAMING TO BE DESIGNED BY THE ENGINEER OR ARCHITECT OF RECORD BASED ON WIND LOADS AND THE CLADDING BEING USED (TYP.).

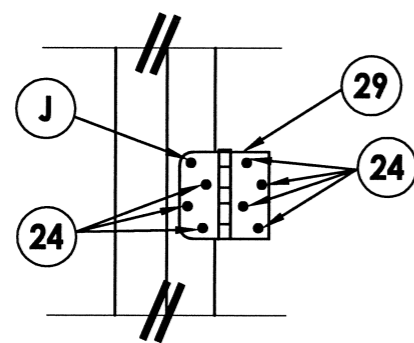


HINGE JAMB

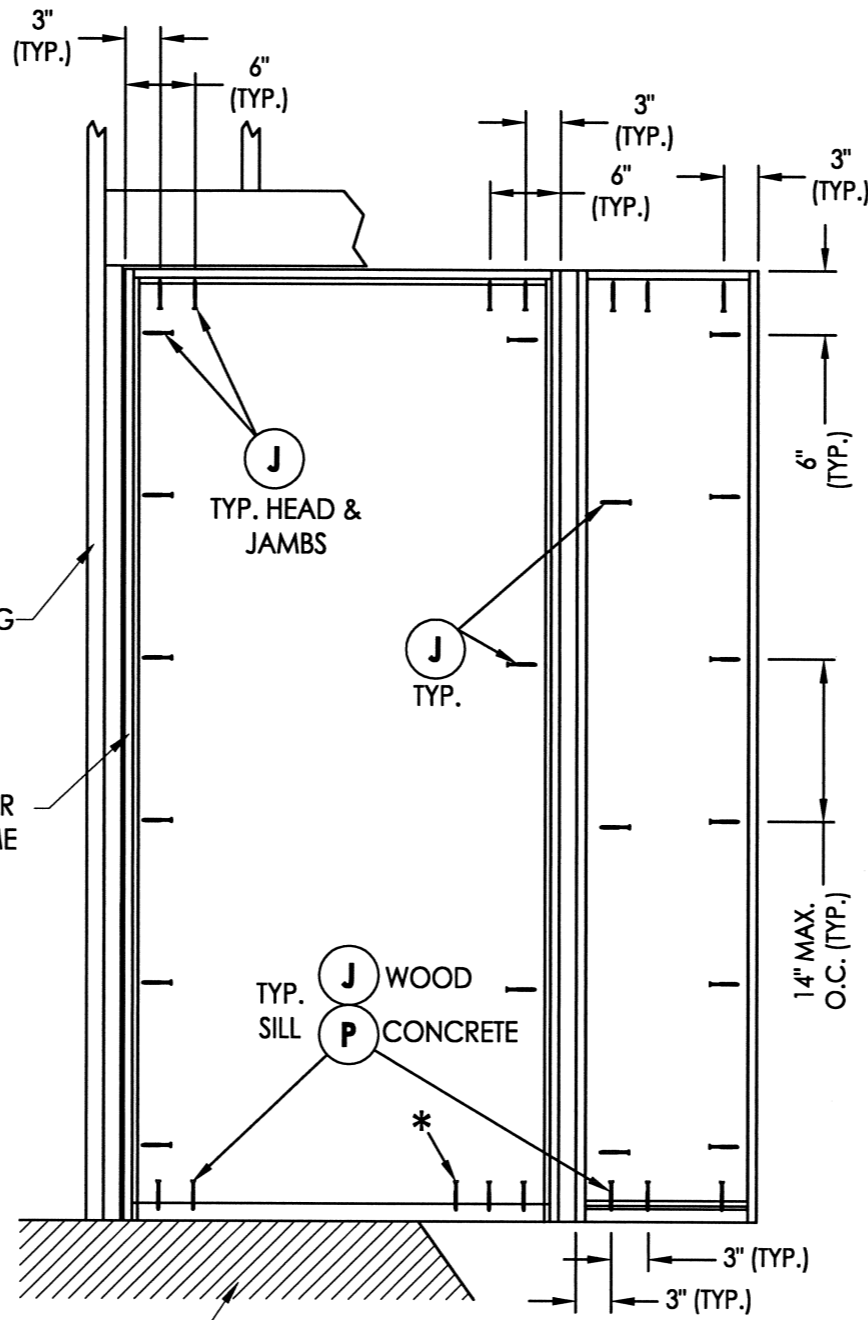


HINGE DETAIL
Inswing

FRAME ANCHORING
X



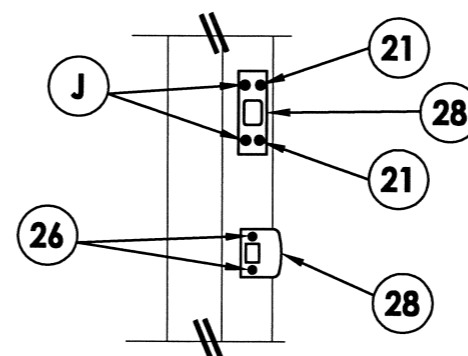
HINGE DETAIL
Outswing



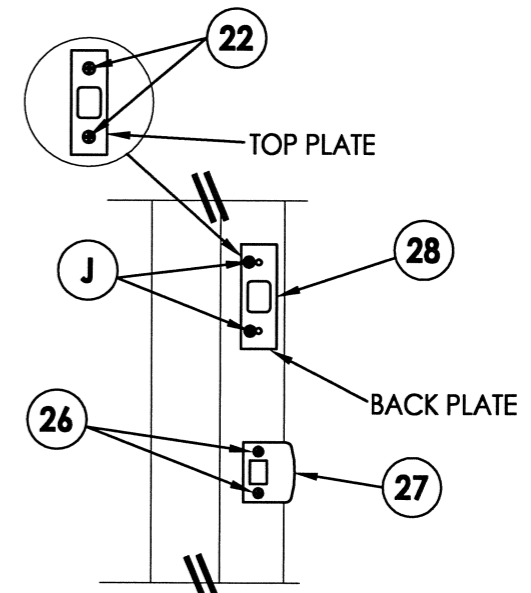
FRAME ANCHORING
OX / XO

*This anchor required for D.P > 60 psf.

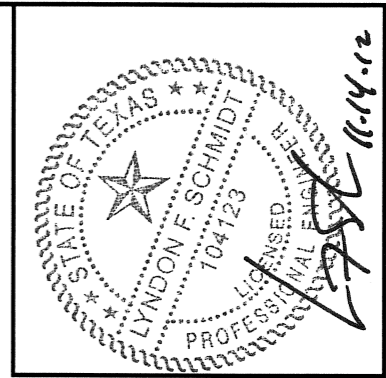
STRIKE JAMB



LATCH & DEADBOLT STRIKE DETAIL
Kwikset Hardware - Standard Strike



LATCH & DEADBOLT STRIKE DETAIL
Schlage Hardware - Standard Strike



Documents Prepared By: Lyndon F. Schmidt, P.E.
TEXAS P.E. #104123

RW BUILDING CONSULTANTS, INC.
P.O. Box 230 Valrico FL 33595
Phone No.: 813.659.9197

TEXAS BOARD OF PROFESSIONAL ENGINEERS
CERTIFICATE OF REGISTRATION # F-11852

PRODUCT: THERMA-TRU
FIBERGLASS DOOR

PART OR ASSEMBLY: FRAME ANCHORING

NO.	DATE	BY	REVISIONS

DATE: 10/08/12

SCALE: N.T.S.

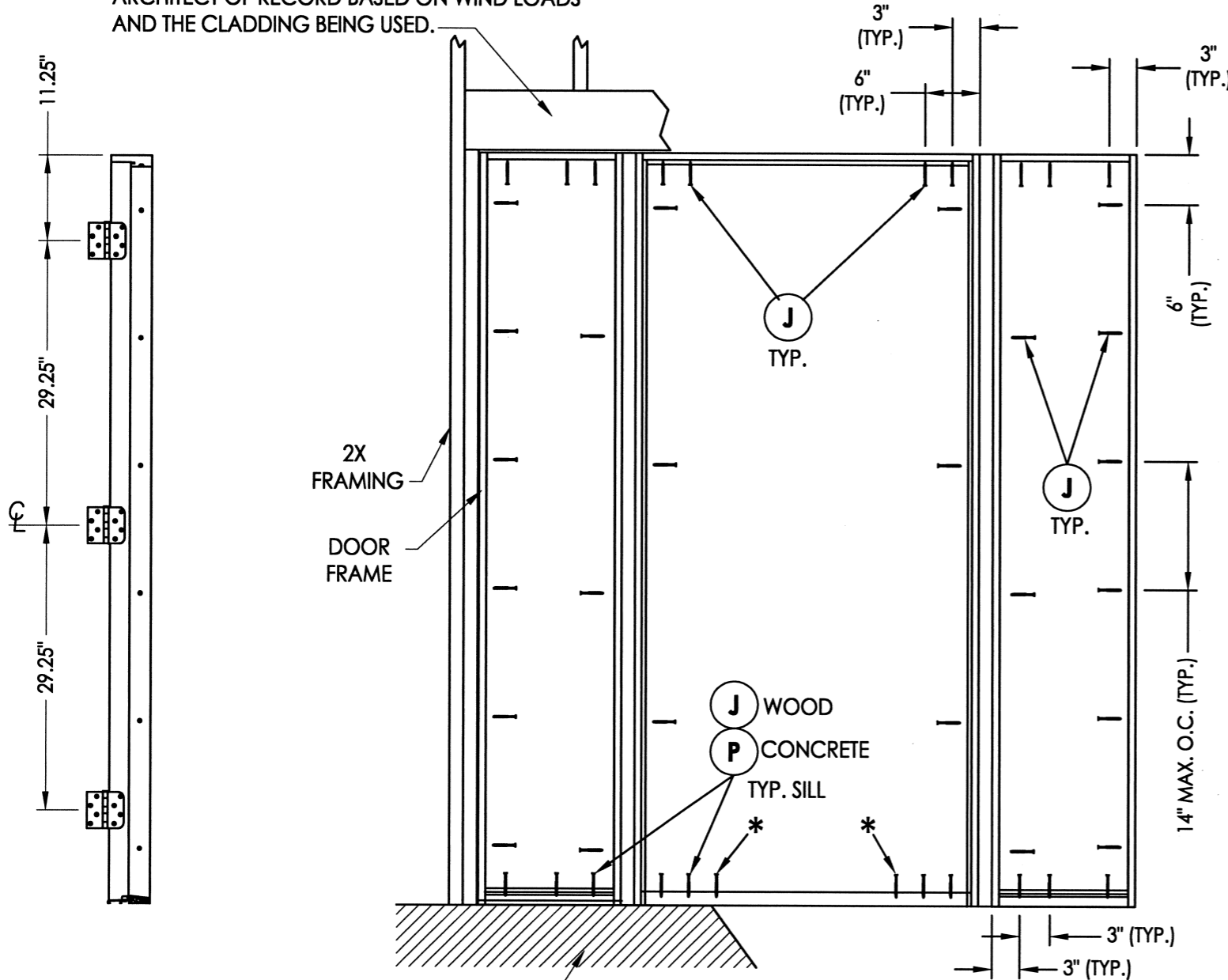
DWG. BY: JK

CHK. BY: LFS

DRAWING NO.: TX-4258

SHEET 10 OF 12

2X FRAMING TO BE DESIGNED BY THE ENGINEER OR ARCHITECT OF RECORD BASED ON WIND LOADS AND THE CLADDING BEING USED.

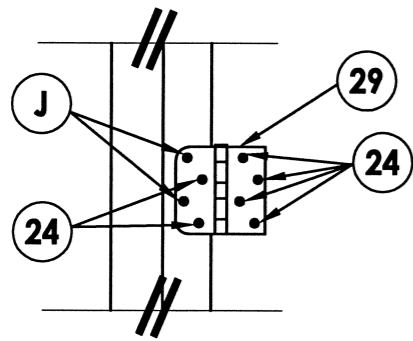


HINGE JAMB

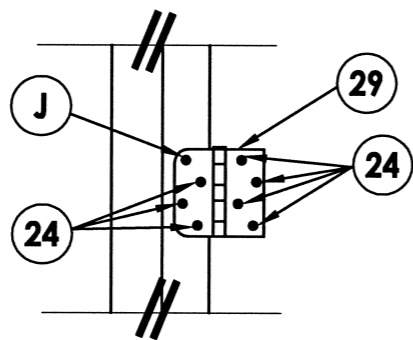
FLOOR SUBSTRATE MATERIAL
CONCRETE (MIN. 3000 PSI)
WOOD (S.G. >= 0.42)

FRAME ANCHORING
OXO

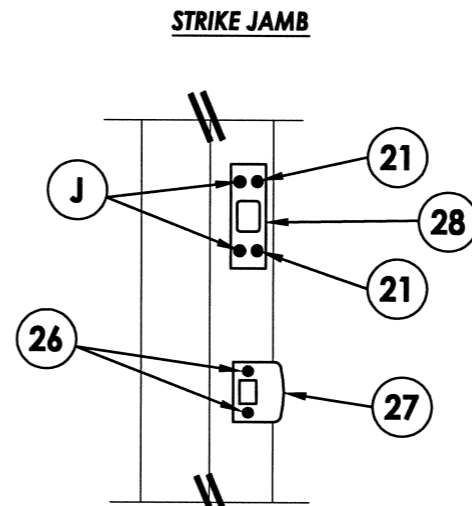
*This anchor required for D.P > 60 psf.



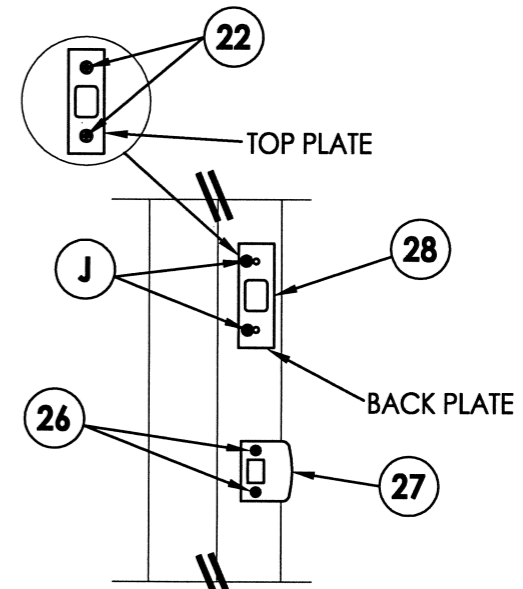
HINGE DETAIL
Inswing



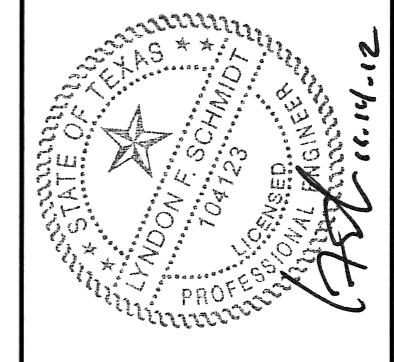
HINGE DETAIL
Outswing



LATCH & DEADBOLT STRIKE DETAIL
Kwikset Hardware - Standard Strike



LATCH & DEADBOLT STRIKE DETAIL
Schlage Hardware - Standard Strike



Documents Prepared By: Lyndon F. Schmidt, P.E.
TEXAS P.E. #104123

RW BUILDING CONSULTANTS, INC.
P.O. Box 230 Valrico FL 33595
Phone No.: 813.658.9197

TEXAS BOARD OF PROFESSIONAL ENGINEERS
CERTIFICATE OF REGISTRATION # F-11852

PRODUCT: THERMA-TRU FIBERGLASS DOOR
PART OR ASSEMBLY: FRAME ANCHORING

NO.	DATE	BY
REVISIONS		

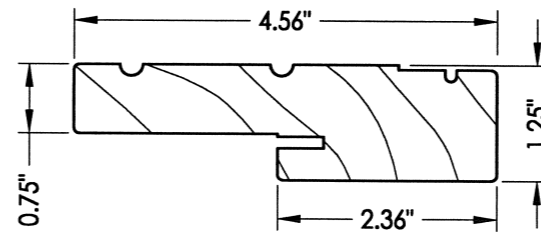
DATE: 10/08/12
SCALE: N.T.S.
DWG. BY: JK
CHK. BY: LFS
DRAWING NO.: TX-4258
SHEET 11 OF 12

BILL OF MATERIALS		
ITEM #	DESCRIPTION	MATERIAL
B	2X BUCK (G >= 0.42)	WOOD
C	1/4" MAX. SHIM SPACE	-
J	#10 X 2-1/2" PFH WOOD SCREW (MIN. EMB. = 1.15" HEAD/JAMBS, 1-1/2" SILL)	STEEL
M	#10 X 2" PFH WOOD SCREW	STEEL
P	1/4" PFH ELCO OR ITW CONCRETE SCREW (1-3/4" MIN. EMB.)	STEEL
1	JAMB - FINGER JOINTED PINE	WOOD
7	WEATHERSTRIP (Long Reach by Therma-Tru)	FOAM
8	SWEEP	VINYL
9	WEATHERSTRIP (Medium Reach by Therma-Tru)	FOAM
13	INSWING THRESHOLD	ALUM/COMP
14	OUTSWING THRESHOLD	ALUM/COMP
21	#8 X 5/8" PFH WOOD SCREW	STEEL
22	10-32 X 3/8" PFH MACHINE SCREW	STEEL
24	#10 x 1" PFH WOOD SCREW	STEEL
26	#8 x 2" PFH WOOD SCREW	STEEL
27	LATCH STRIKE PLATE	STEEL
28	DEADBOLT STRIKE PLATE	STEEL
29	4" X 4" HINGE	STEEL
40	DOOR PANEL (SMOOTH STAR/FIBER CLASSIC)	-
41	DOOR PANEL (CLASSIC CRAFT)	-
50	SIDELITE PANEL (SMOOTH STAR/FIBER CLASSIC)	-
51	SIDELITE PANEL (CLASSIC CRAFT)	-
65	INSWING SIDELITE ADAPTER	PVC
66	OUTSWING SIDELITE ADAPTER	PVC
68	2X MULLION (G >= 0.55)	WOOD

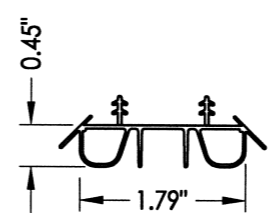
CONCRETE ANCHOR NOTES:

- Concrete anchor locations at the corners may be adjusted to maintain the min. edge distance to mortar joints.
- Concrete anchor locations noted as "MAX. ON CENTER" must be adjusted to maintain the min. edge distance to mortar joints, additional concrete anchors may be required to ensure the "MAX. ON CENTER" dimension are not exceeded.
- Concrete anchor table:

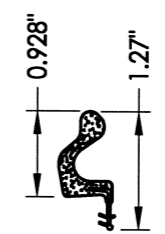
ANCHOR TYPE	ANCHOR SIZE	MIN. EMBEDMENT	MIN. CLEARANCE TO MASONRY EDGE	MIN. CLEARANCE TO ADJACENT ANCHOR
ITW TAPCON®	1/4"	1-3/4"	2-1/2"	3"
ELCO ULTRACON®	1/4"	1-3/4"	1"	3"



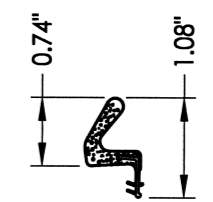
1 WOOD JAMB



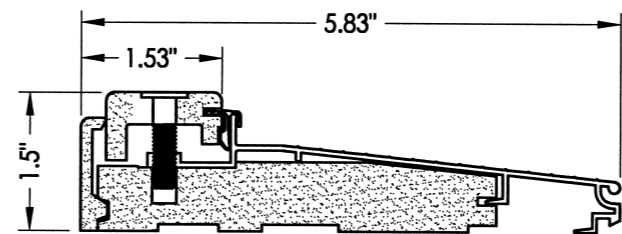
8 SWEEP



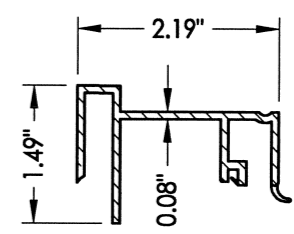
7 WEATHERSTRIP Long Reach



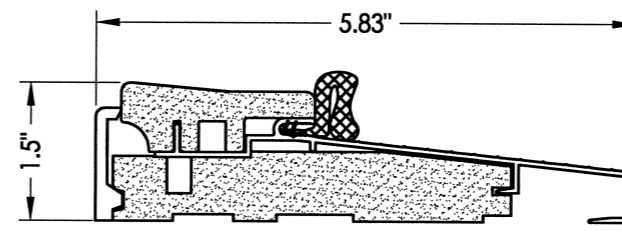
9 WEATHERSTRIP Medium Reach



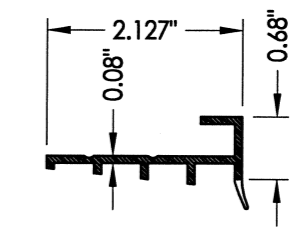
13 INSWING THRESHOLD



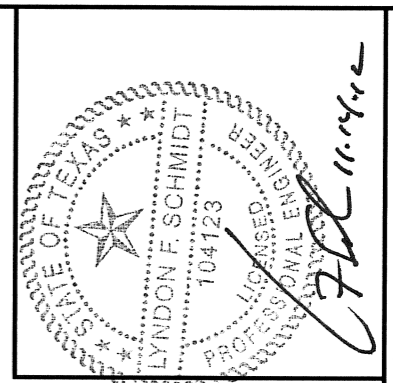
65 INSWING SIDELITE ADAPTER



14 OUTSWING THRESHOLD



66 OUTSWING SIDELITE ADAPTER



Documents Prepared By: Lyndon F. Schmidt, P.E.
TEXAS P.E. #104123

RW BUILDING CONSULTANTS, INC.
P.O. Box 230 Valrico FL 33595
Phone No.: 813.659.9197
TEXAS BOARD OF PROFESSIONAL ENGINEERS
CERTIFICATE OF REGISTRATION # F-11852

PRODUCT: THERMA-TRU FIBERGLASS DOOR
PART OR ASSEMBLY: BILL OF MATERIALS & COMPONENTS

NO.	DATE	BY	REVISIONS

DATE: 10/08/12
SCALE: N.T.S.
DWG. BY: JK
CHK. BY: LFS
DRAWING NO.: TX-4258
SHEET 12 OF 12