

### "Smooth-Star", "Fiber-Classic" & "Classic-Craft"

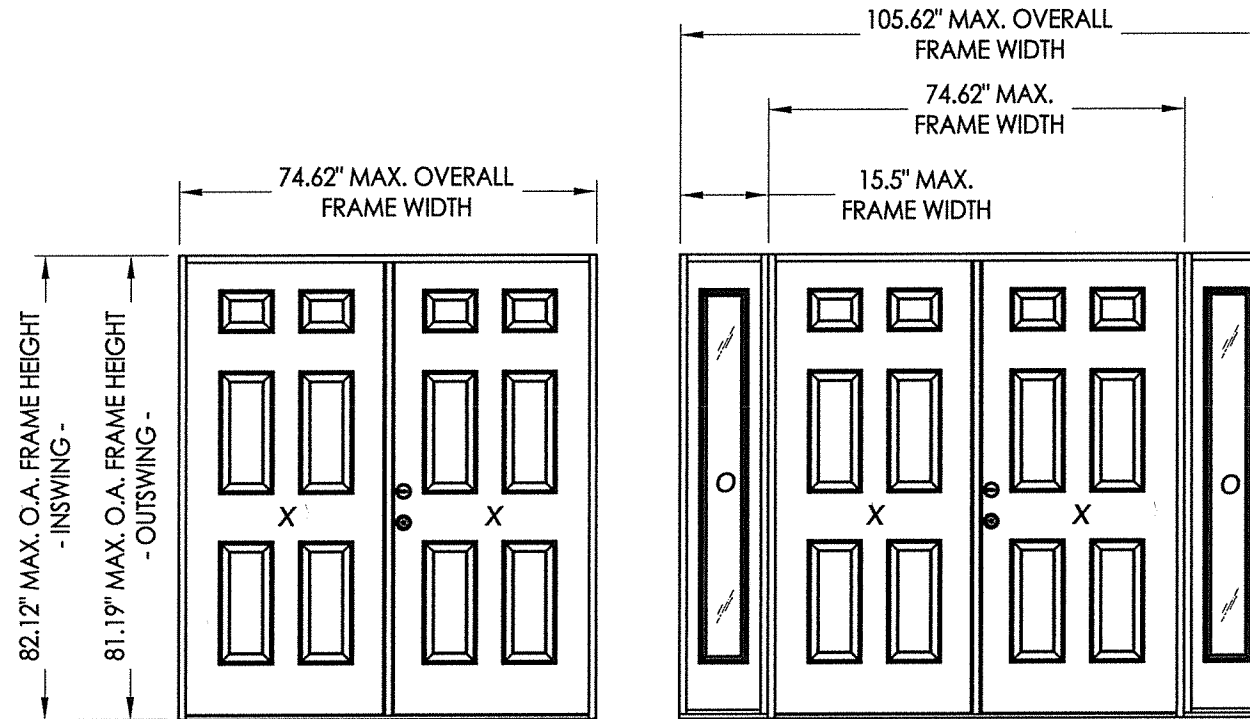
### Opaque Fiberglass Double Door w/ or w/o Sidelites

**INSWING / OUTSWING**  
**"Non-Impact"**

**EVALUATED FOR USE IN THE STATE OF TEXAS**

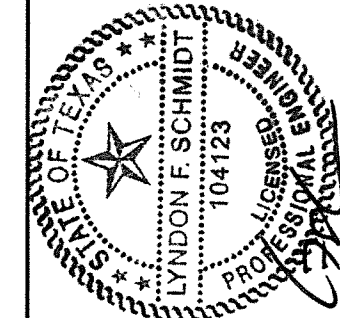
The Fiberglass Door system described herein complies with the 2018 International Residential Code (IRC), Sections R301 & R609 and the 2018 International Building Code (IBC), Sections 1404.13, 1609, 1709.5, 2403 and 2404 subject to the following conditions:

1. Anchors shall be as listed and spaced as shown in the details. Anchor embedment to base material shall be beyond wall dressing or stucco.
2. When used in areas requiring wind-borne debris protection this product is required to be protected with an impact resistant covering that complies with Section R301.2.1.2 of the IRC and Section 1609.1.2 of the IBC.
3. Allowable design pressure requirements must be equal to or less than the design pressure rating shown in the design pressure chart, sheet 1 of this drawing.
4. Conditions not covered by this drawing are subject to further engineering analysis.
5. Fiber-Classic and Smooth-Star Door and Sidelite panels require the use of "J" part numbers. These door and sidelite panels must be stained or painted within six months of installation.



CONFIGURATION	MAX. FRAME DIMENSION	SWING	DESIGN PRESSURE (PSF)	
			POSITIVE	NEGATIVE
XX	74.62" x 82.12"	INSWING	+50.0	-60.0
	74.62" x 81.19"	OUTSWING	+50.0	-50.0
OXXO	105.62" x 82.12"	INSWING	+50.0	-60.0
	105.62" x 81.19"	OUTSWING	+50.0	-50.0

TABLE OF CONTENTS	
SHEET #	DESCRIPTION
1	Typical elevations, design pressures & general notes
2	Door panel details (Smooth Star/Fiber Classic)
3	Door panel details (Classic Craft)
4	Sidelite panel & glazing detail (Smooth Star/Fiber Classic)
5	Sidelite panel & glazing detail (Classic Craft)
6	Elevations
7	Horizontal cross sections
8	Vertical cross sections
9	Vertical cross sections
10	Frame anchoring
11	Astragal details
12	Bill of materials and components

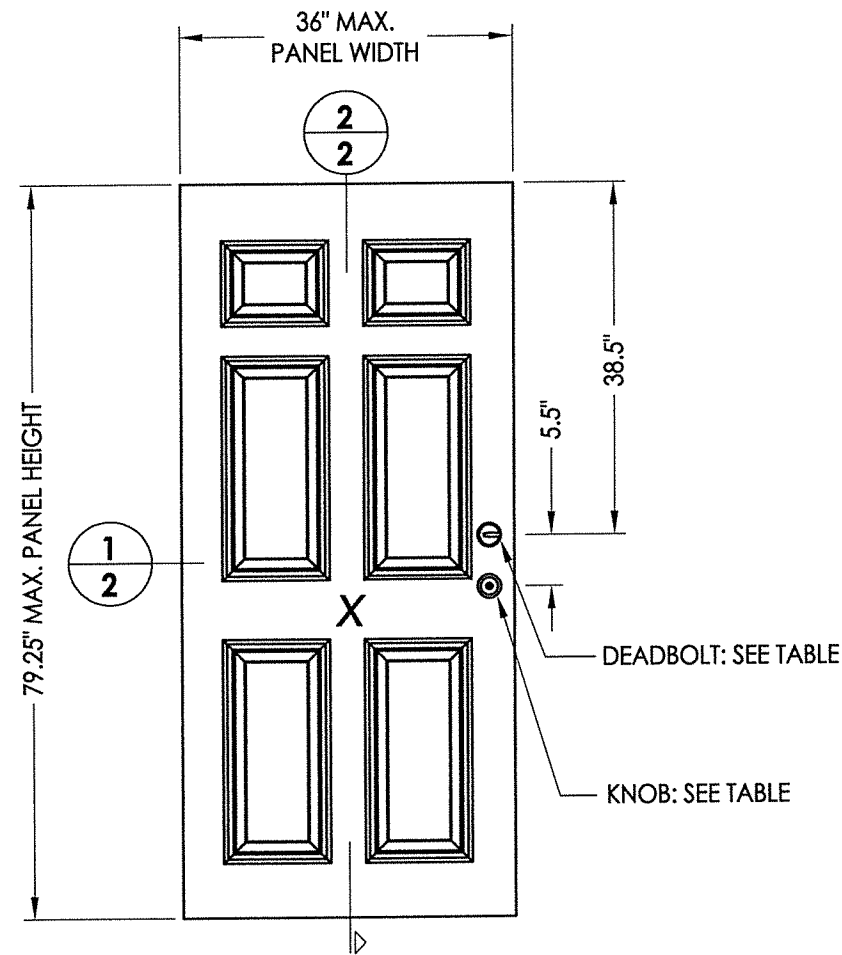


Documents Prepared By: Lyndon F. Schmidt, P.E.  
TEXAS P.E. #104123

R.W. BUILDING CONSULTANTS, INC.  
P.O. Box 230 Valrico FL 33595  
Phone No.: 813.659.9197

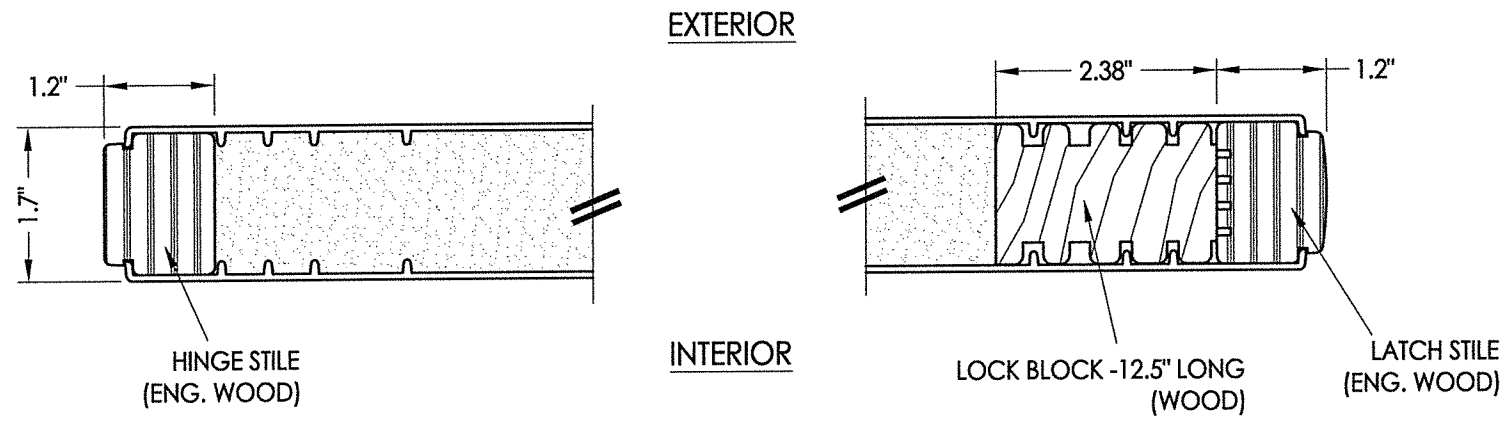
TEXAS BOARD OF PROFESSIONAL ENGINEERS  
CERTIFICATE OF REGISTRATION # F-11852

PRODUCT:	THERMA-TRU FIBERGLASS DOOR
PART OR ASSEMBLY:	TYPICAL ELEVATION, DESIGN PRESSURES & GENERAL NOTES
DATE:	10/08/12
SCALE:	N.T.S.
DWG. BY:	JK
CHK. BY:	LFS
DRAWING NO.:	TX-4259
SHEET	1 OF 12

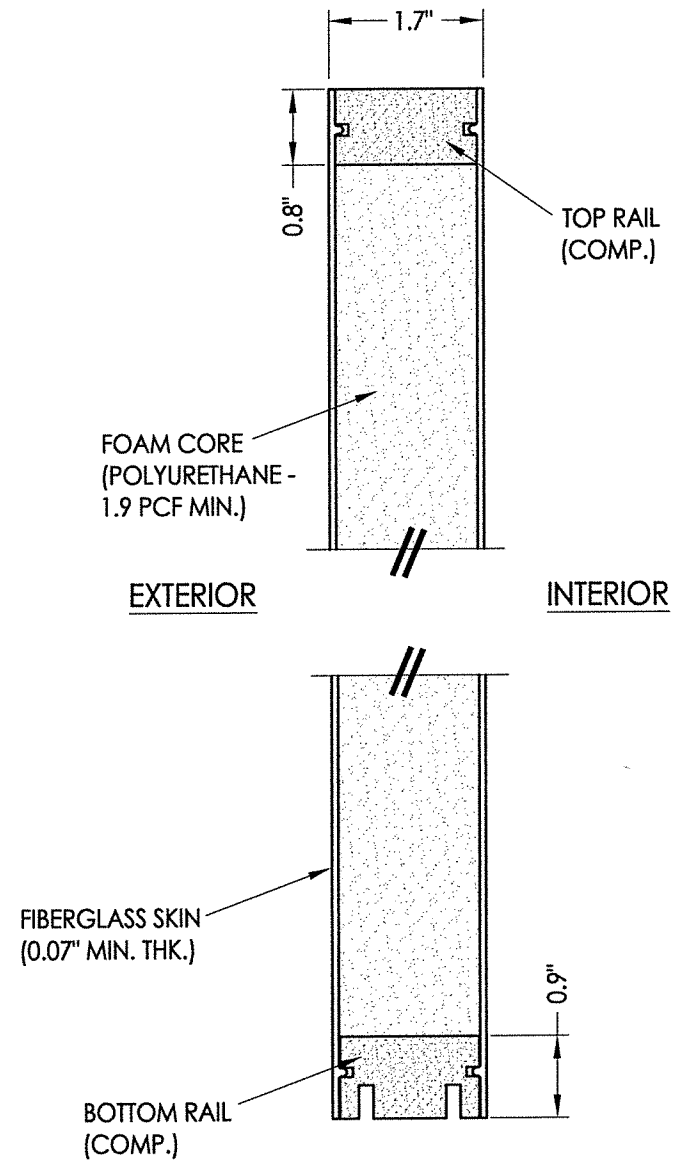


**40 DOOR PANEL**  
Smooth Star/Fiber Classic

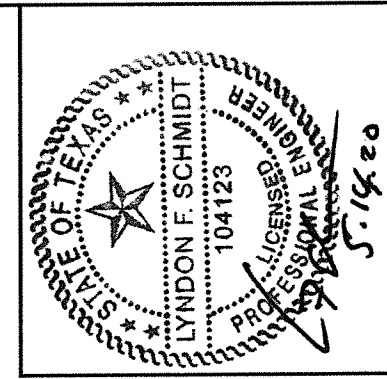
HARDWARE TABLE	
MANUFACTURER	MODEL
KWIKSET	KNOB: SIGNATURE SERIES
	DEADBOLT: SIGNATURE SERIES (980)
SCHLAGE	KNOB: "F" SERIES
	DEADBOLT: "B" SERIES



**1 HORIZONTAL CROSS SECTION**



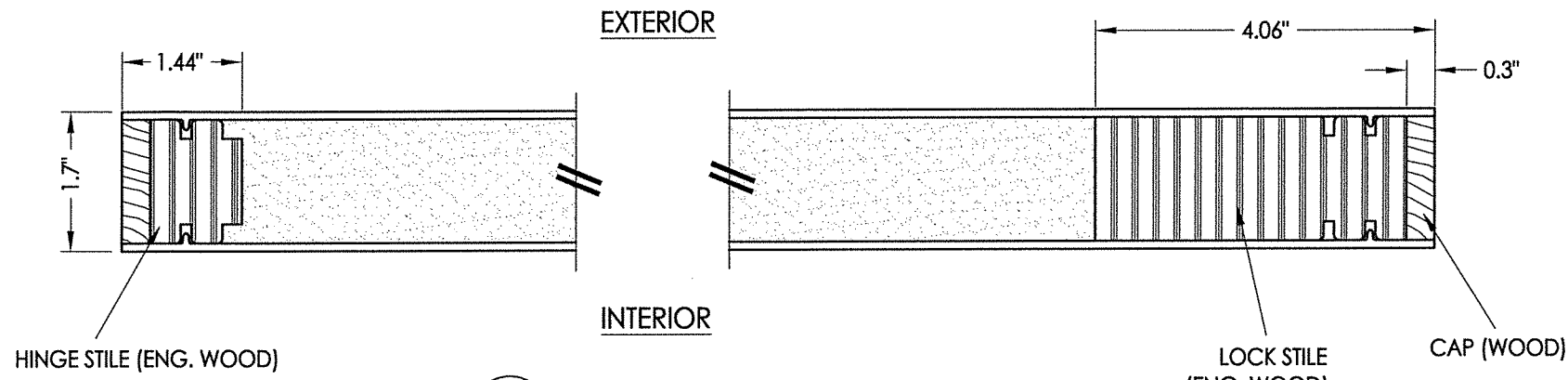
**2 VERTICAL CROSS SECTION**



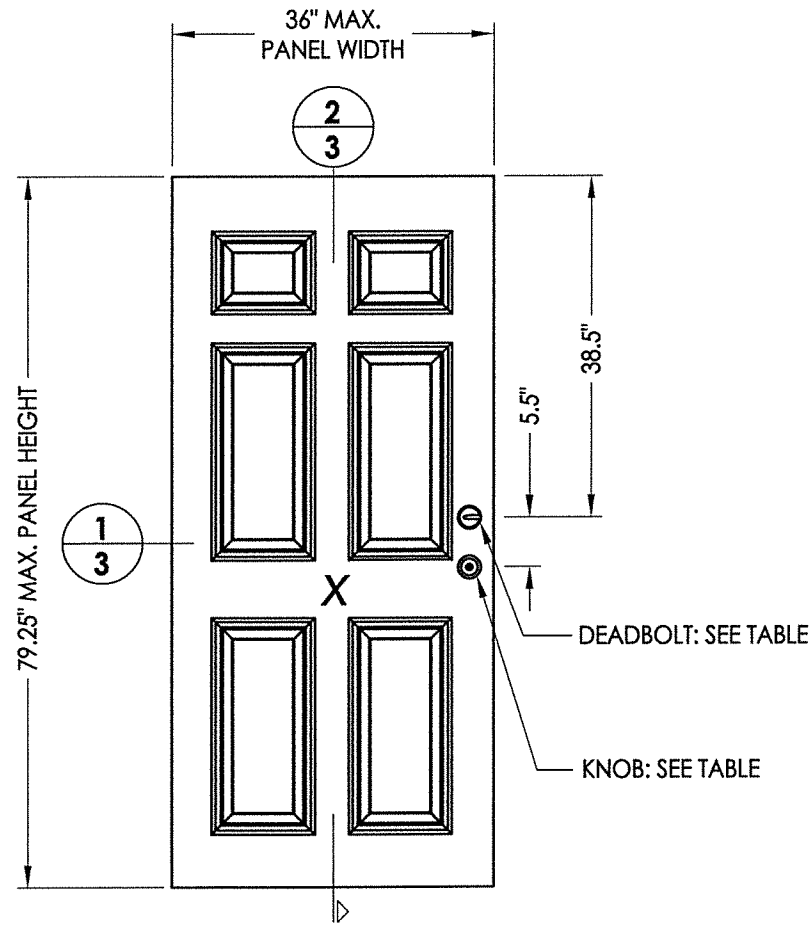
Documents Prepared By: Lyndon F. Schmidt, P.E.  
TEXAS P.E. #104123

**RW** BUILDING CONSULTANTS, INC.  
P.O. Box 230 Vairico FL 33595  
Phone No.: 813.659.9197  
TEXAS BOARD OF PROFESSIONAL ENGINEERS  
CERTIFICATE OF REGISTRATION # F-11852

PRODUCT:	THERMA-TRU FIBERGLASS DOOR	
PART OR ASSEMBLY:	DOOR PANEL DETAILS	
DATE:	10/08/12	
SCALE:	N.T.S.	
DWG. BY:	JK	
CHK. BY:	LFS	
DRAWING NO.:	TX-4259	
SHEET	2 OF 12	
NO.	DATE	BY
2	5/14/20	UPDATE TO 2018 IBC/IRC CODE
1	7/22/15	ADDED GENERAL NOTE 5.
REVISIONS		

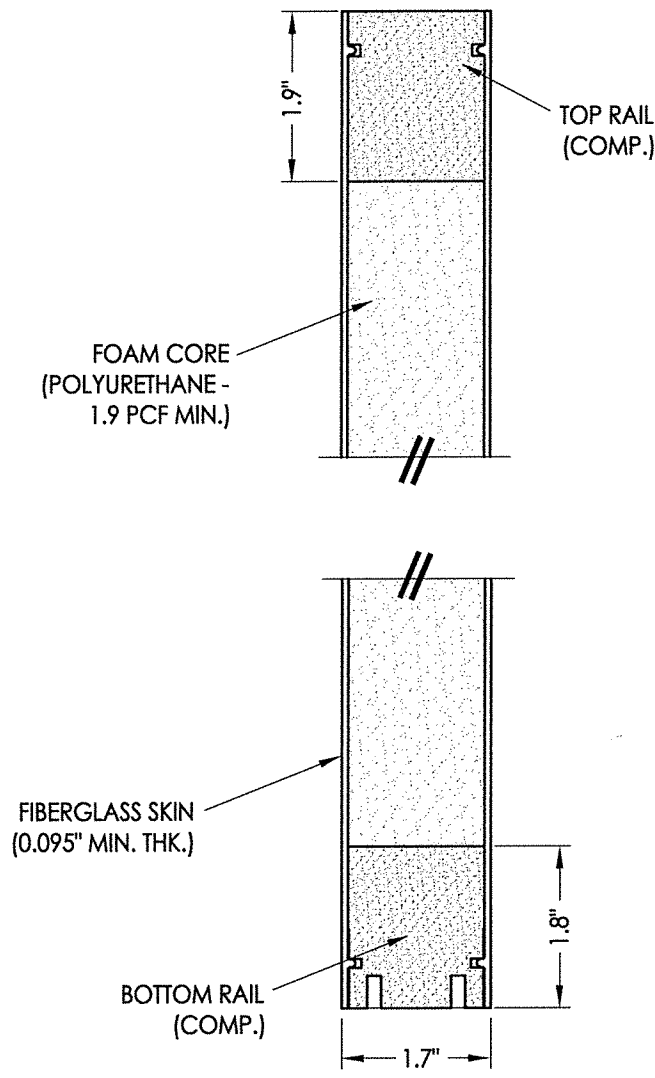


**1**  
**3** HORIZONTAL CROSS SECTION

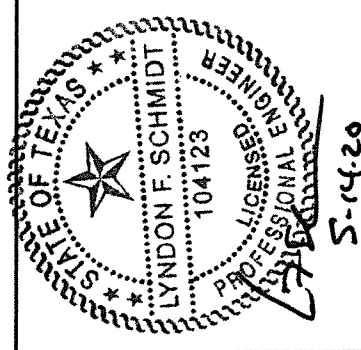


**41** DOOR PANEL  
Classic Craft

HARDWARE TABLE	
MANUFACTURER	MODEL
KWIKSET	KNOB: SIGNATURE SERIES
	DEADBOLT: SIGNATURE SERIES (980)
SCHLAGE	KNOB: "F" SERIES
	DEADBOLT: "B" SERIES



**2**  
**3** VERTICAL CROSS SECTION

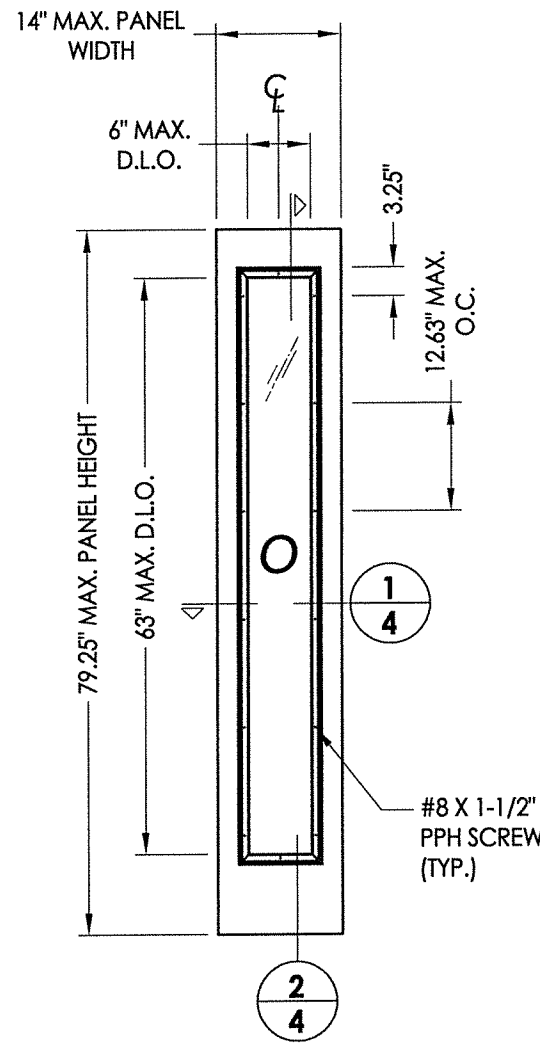


Documents Prepared By: Lyndon F. Schmidt, P.E.  
TEXAS P.E. #104123

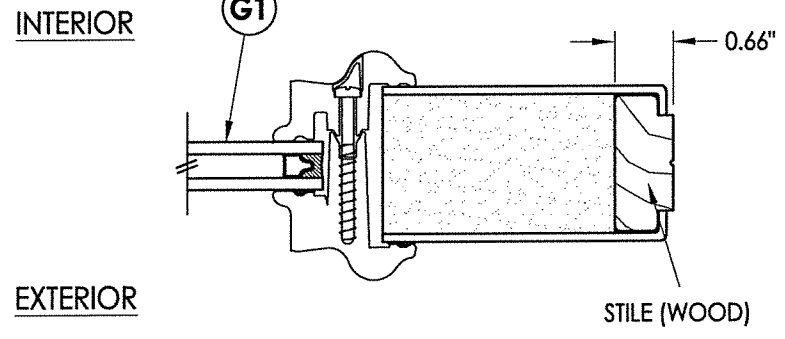
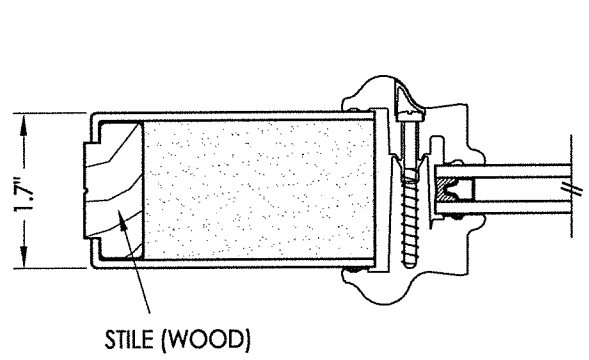
**RW** BUILDING CONSULTANTS, INC.  
P.O. Box 230 Valrico FL 33595  
Phone No.: 813.659.9197

TEXAS BOARD OF PROFESSIONAL ENGINEERS  
CERTIFICATE OF REGISTRATION # F-11852

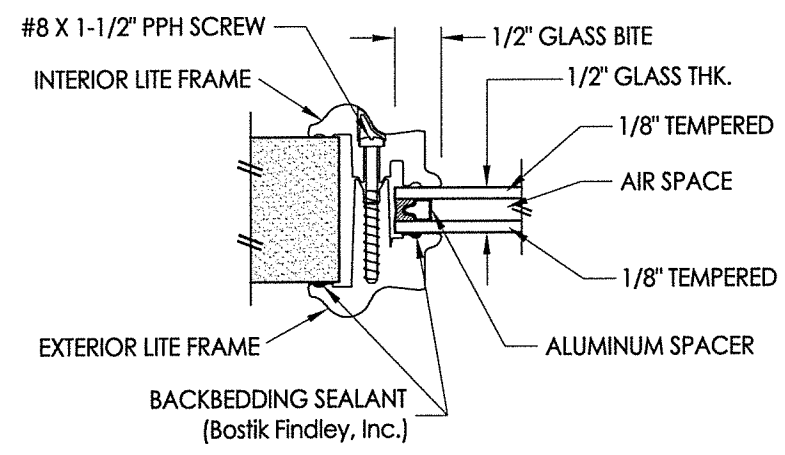
PRODUCT:	THERMA-TRU FIBERGLASS DOOR	
PART OR ASSEMBLY:	DOOR PANEL DETAILS	
DATE:	10/08/12	
SCALE:	N.T.S.	
DWG. BY:	JK	
CHK. BY:	LFS	
DRAWING NO.:	TX-4259	
SHEET	3	of 12



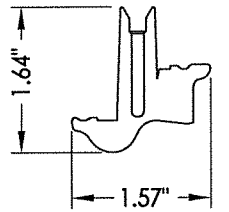
**50 SIDELITE PANEL**  
Smooth Star/Fiber Classic



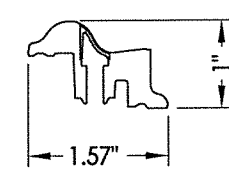
**1 HORIZONTAL CROSS SECTION**



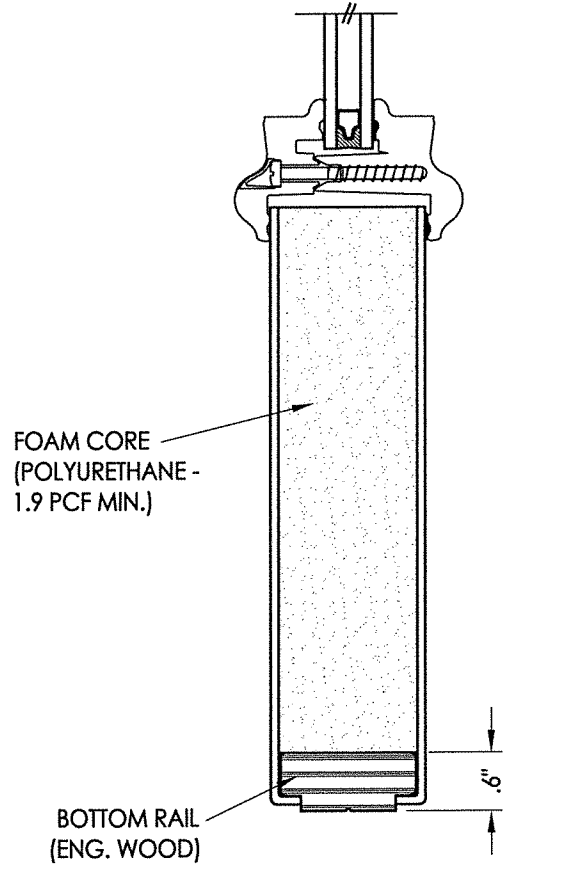
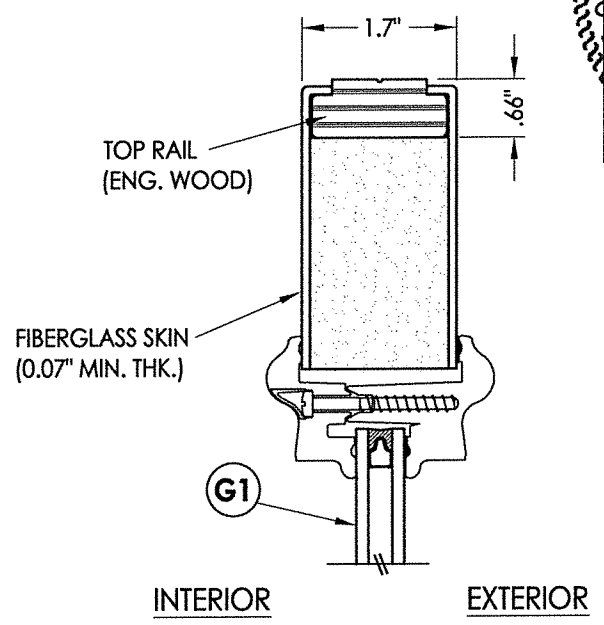
**G1 GLAZING DETAIL**  
BTS Lip Lite Frame



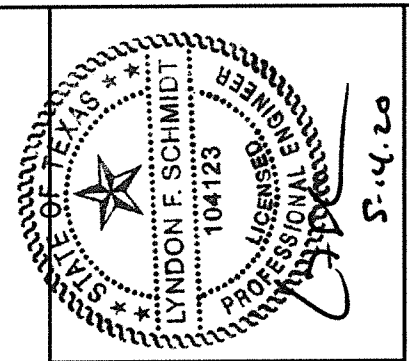
**EXTERIOR LITE FRAME**  
BTS



**INTERIOR LITE FRAME**  
BTS



**2 VERTICAL CROSS SECTION**

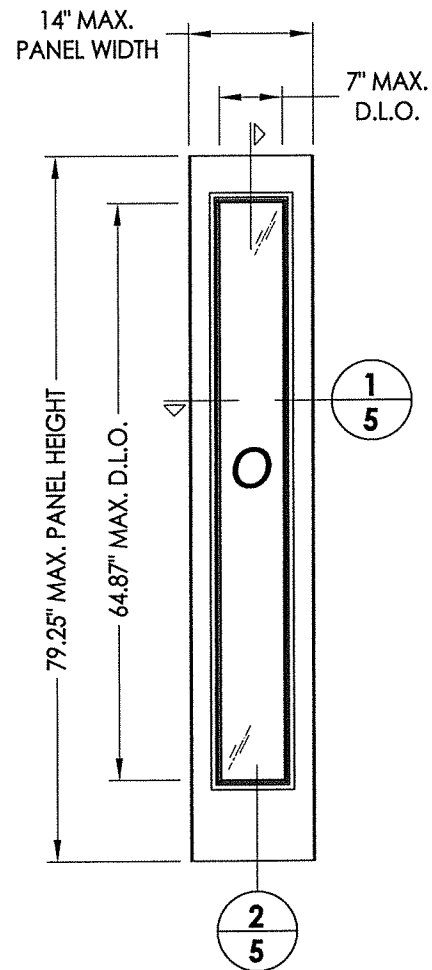


Documents Prepared By: Lyndon F. Schmidt, P.E.  
TEXAS P.E. #104123

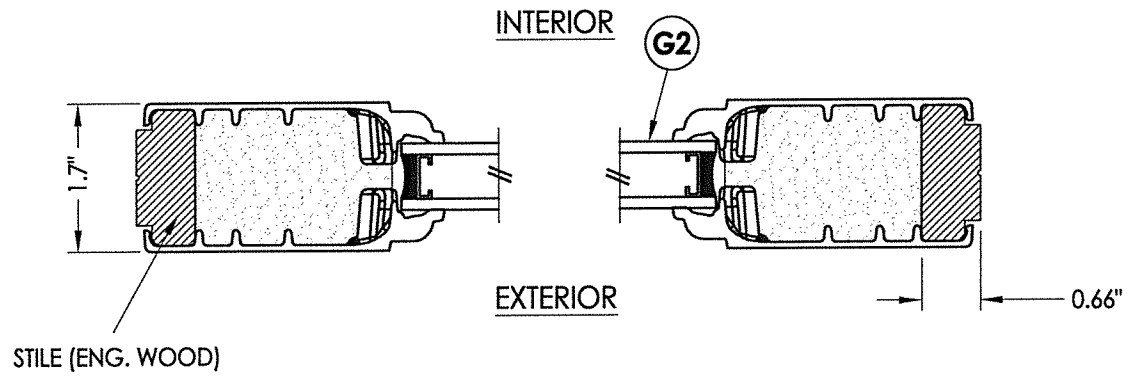
**RW** BUILDING CONSULTANTS, INC.  
P.O. Box 230 Vairco FL 33595  
Phone No.: 813.659.9197

TEXAS BOARD OF PROFESSIONAL ENGINEERS  
CERTIFICATE OF REGISTRATION # F-11852

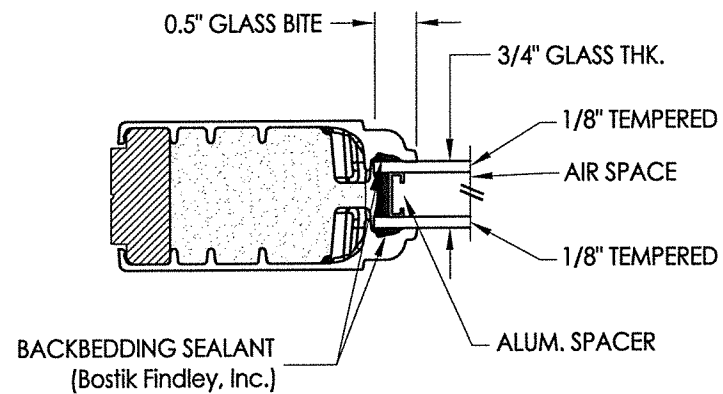
PRODUCT:		THERMA-TRU FIBERGLASS DOOR	
PART OR ASSEMBLY:		SIDELITE PANEL & GLAZING DETAIL (SMOOTH STAR/FIBER CLASSIC)	
NO.	DATE	BY	REVISIONS
2	5/14/20	LFS	UPDATE TO 2018 IBC/IRC CODE
1	7/22/15	LFS	ADDED GENERAL NOTE 5.
DATE: 10/08/12			
SCALE: N.T.S.			
DWG. BY: JK			
CHK. BY: LFS			
DRAWING NO.: TX-4259			
SHEET 4 OF 12			



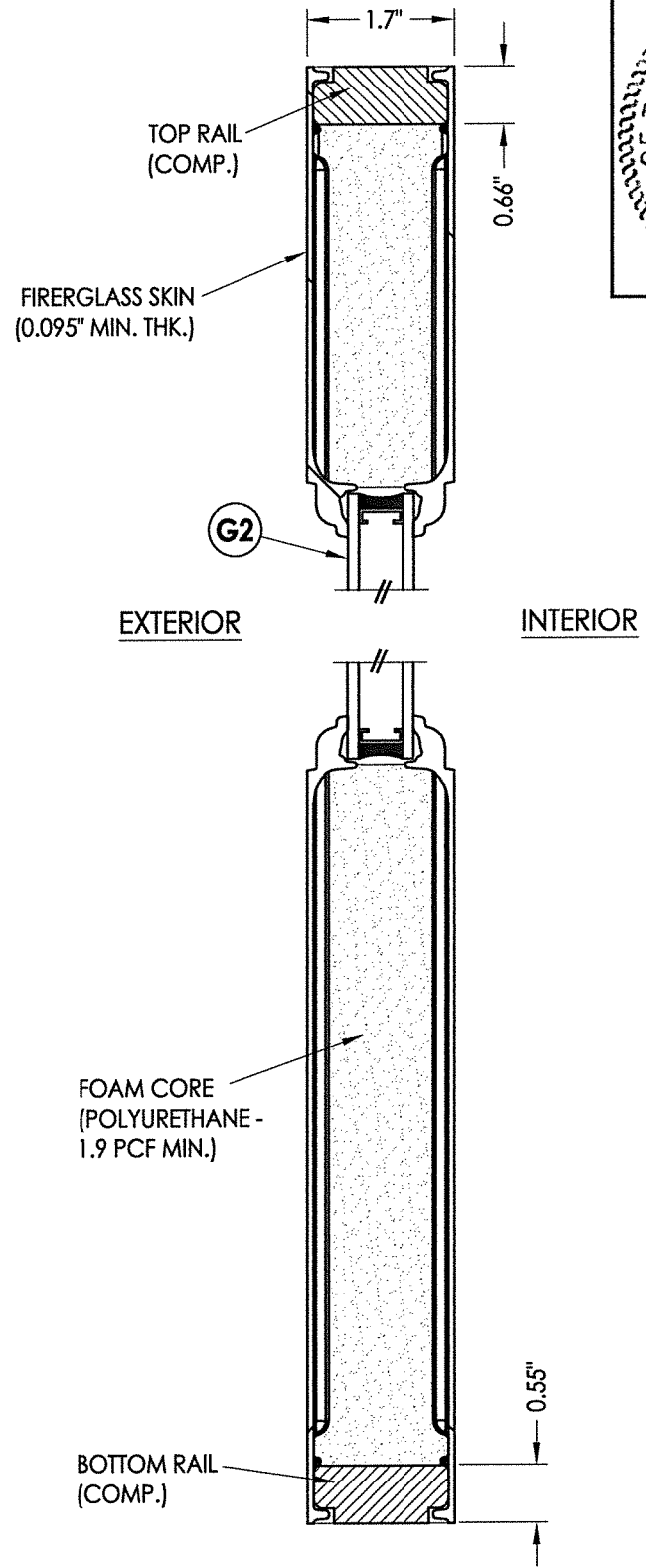
**51** SIDELITE PANEL  
Classic Craft



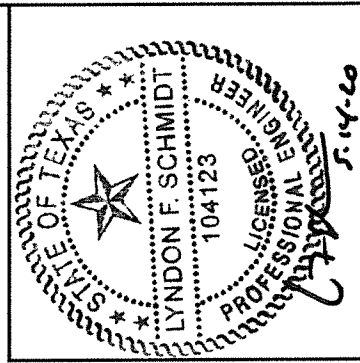
**1** HORIZONTAL CROSS SECTION  
**5**



**G2** GLAZING DETAIL  
Flush Glazed



**2** VERTICAL CROSS SECTION  
**5**



Documents Prepared By: Lyndon F. Schmidt, P.E.  
TEXAS P.E. #104123

**RW** BUILDING CONSULTANTS, INC.  
P.O. Box 230 Valrico FL 33595  
Phone No.: 813.659.9197  
TEXAS BOARD OF PROFESSIONAL ENGINEERS  
CERTIFICATE OF REGISTRATION # F-11852

PRODUCT: THERMA-TRU  
FIBERGLASS DOOR  
PART OR ASSEMBLY:  
SIDELITE PANEL & GLAZING DETAIL  
(CLASSIC CRAFT)

NO.	DATE	REVISIONS
2	5/14/20	UPDATE TO 2018 IBC/IRC CODE
1	7/22/15	ADDED GENERAL NOTE 5.
		LFS
		BY

DATE: 10/08/12

SCALE: N.T.S.

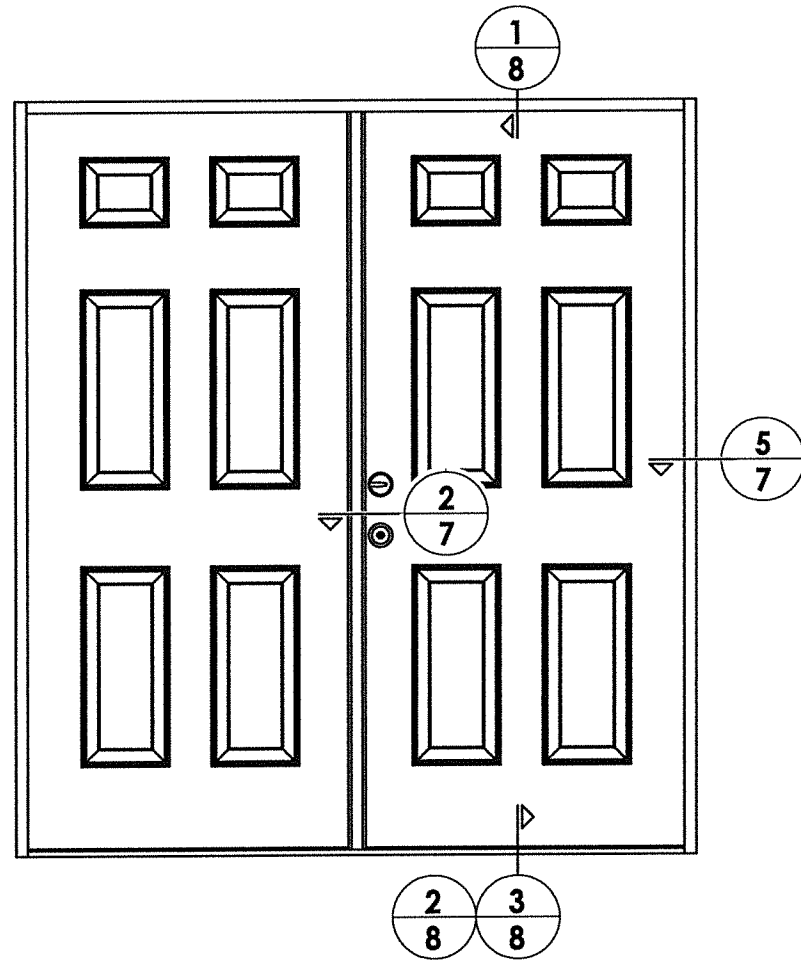
DWG. BY: JK

CHK. BY: LFS

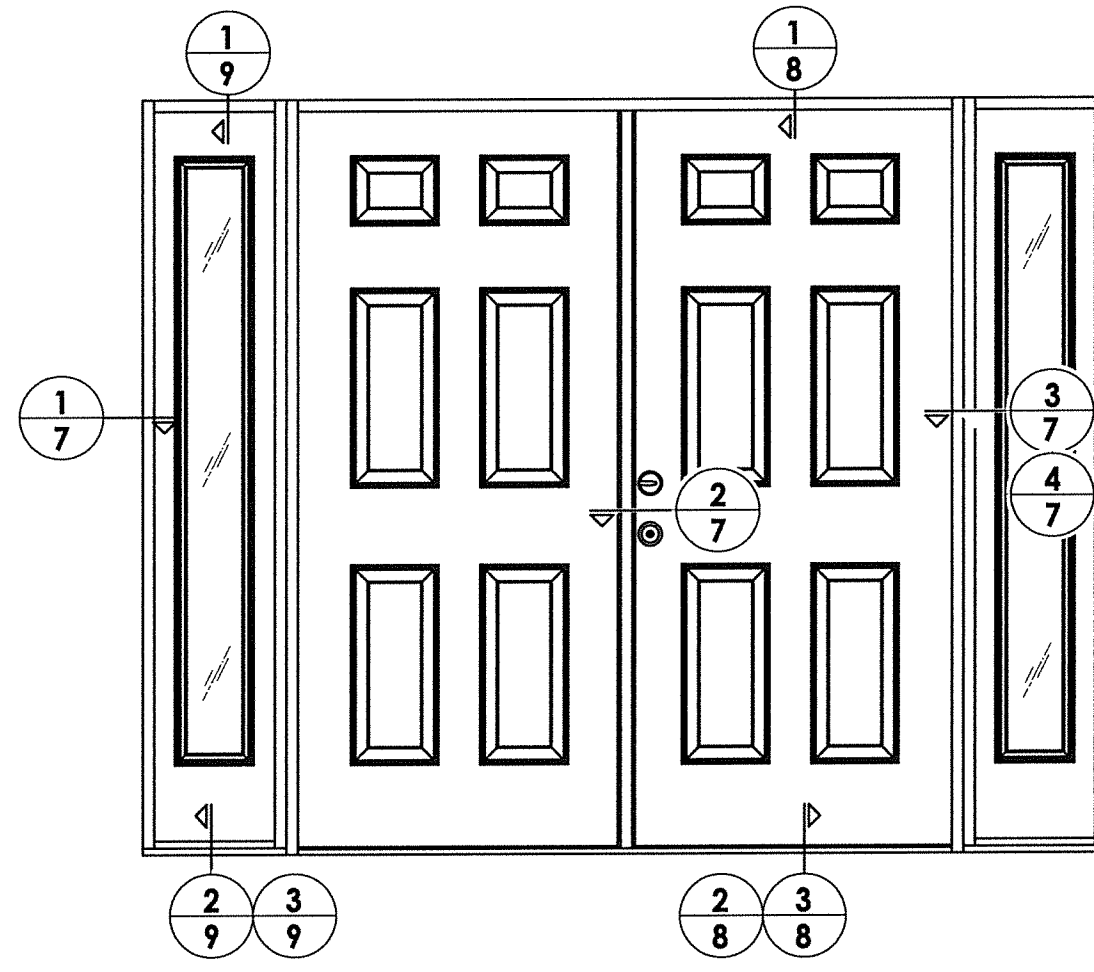
DRAWING NO.:

TX-4259

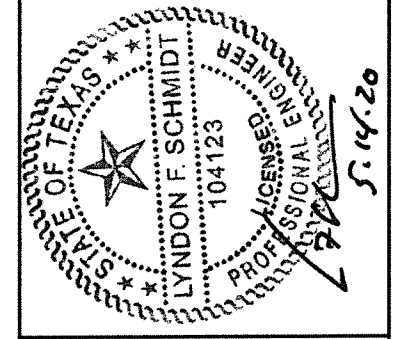
SHEET 5 OF 12



ELEVATION (XX)



ELEVATION (OXXO)



Documents Prepared By: Lyndon F. Schmidt, P.E.  
 TEXAS P.E. #104123

**RW** BUILDING CONSULTANTS, INC.  
 P.O. Box 230 Vairico FL 33595  
 Phone No.: 813.659.9197

TEXAS BOARD OF PROFESSIONAL ENGINEERS  
 CERTIFICATE OF REGISTRATION # F-11852

PRODUCT: THERMA-TRU FIBERGLASS DOOR

PART OR ASSEMBLY: ELEVATIONS

NO.	DATE	REVISIONS	BY
2	5/14/20	UPDATE TO 2018 IBC/IRC CODE	LFS
1	7/22/15	ADDED GENERAL NOTE 5.	LFS

DATE: 10/08/12

SCALE: N.T.S.

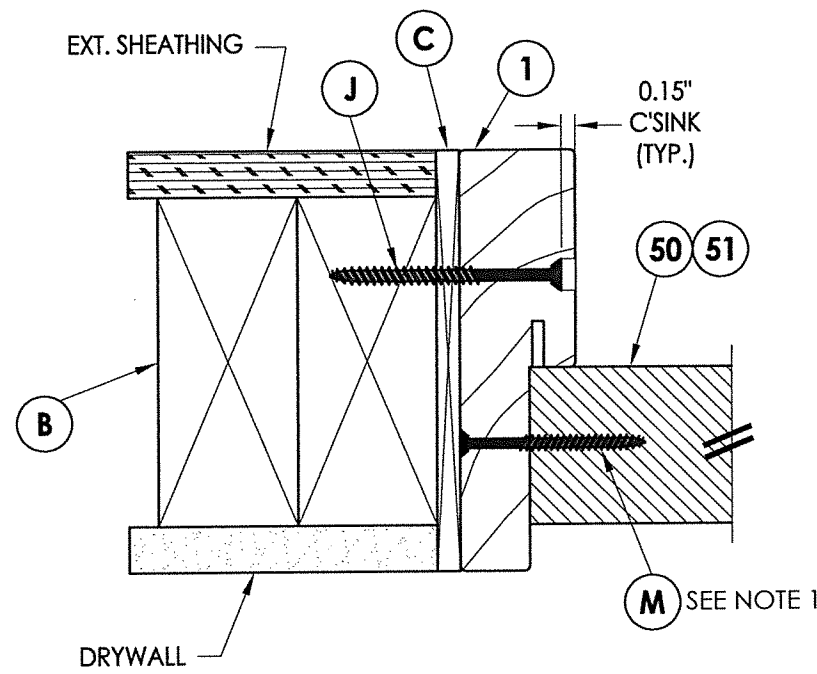
DWG. BY: JK

CHK. BY: LFS

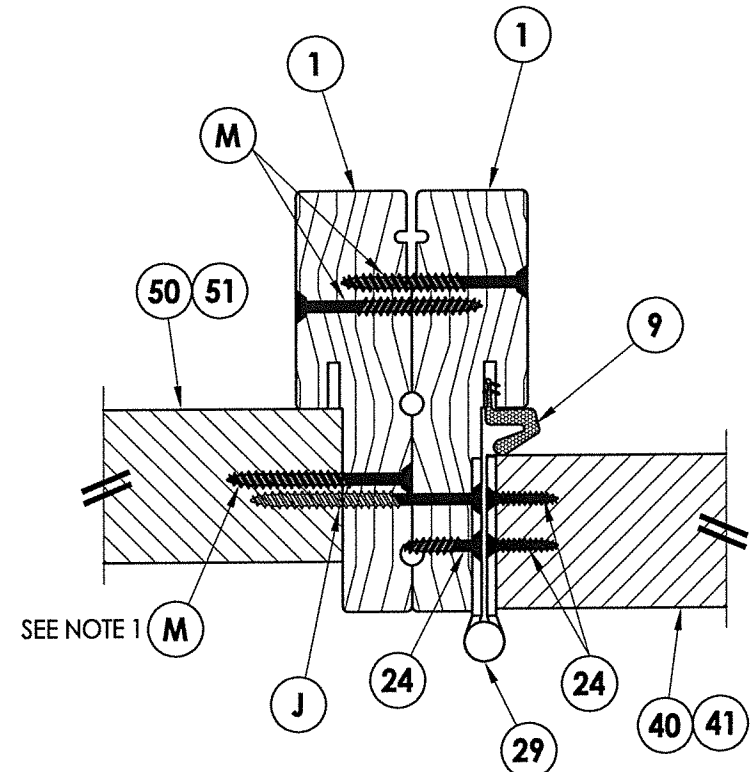
DRAWING NO.: TX-4259

SHEET 6 OF 12

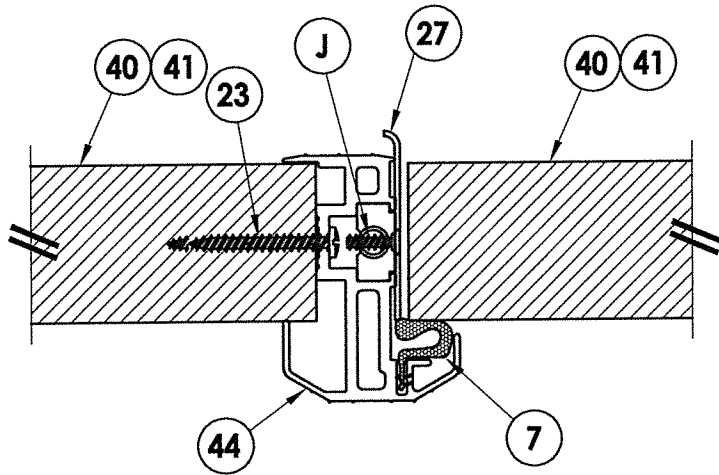
R:\Clients\Therma Tru PERMANENT B - Texas Dept of Ins\TDI - DR 600 - 68 - 80 Opaque FG NonImp IS - OS Sgls Dbis w SLV - Drawings\TX-4258-59.dwg, 7.2



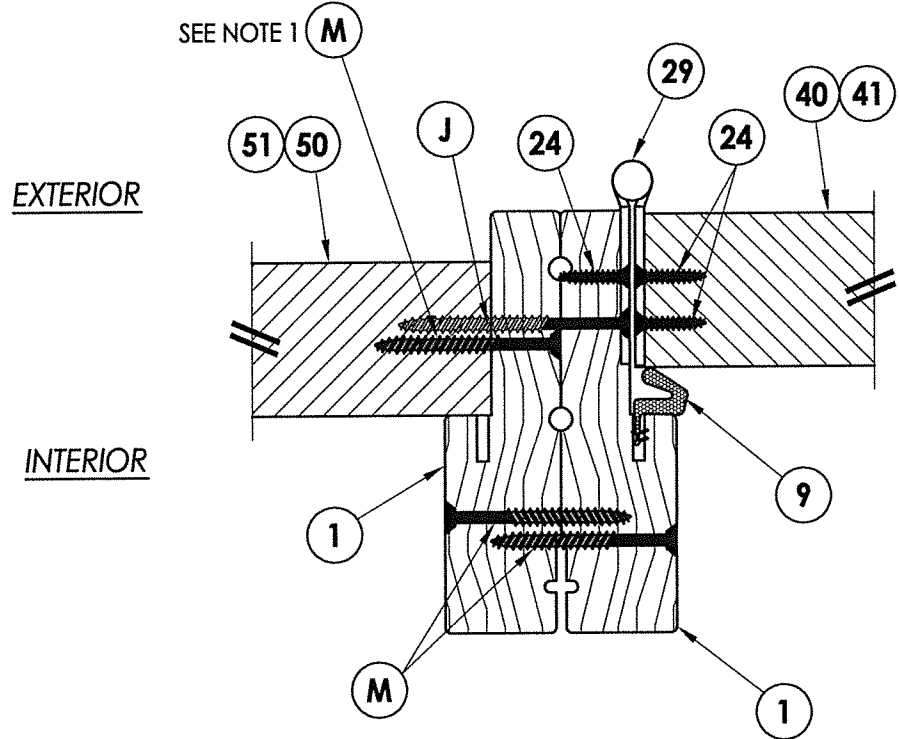
**1** HORIZONTAL CROSS SECTION  
**7** Inswing shown - Outswing also approved



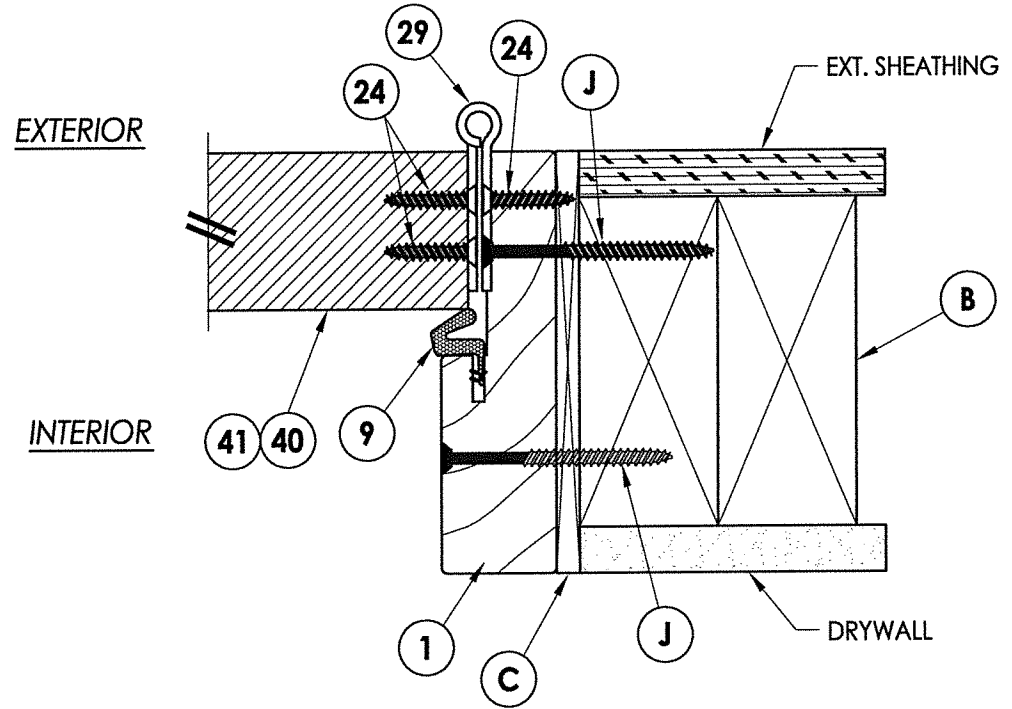
**3** HORIZONTAL CROSS SECTION  
**7** Inswing shown



**2** HORIZONTAL CROSS SECTION  
**7** Outswing shown - Inswing also approved

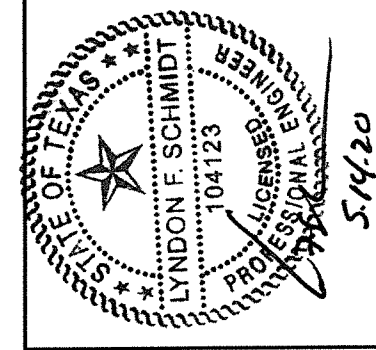


**4** HORIZONTAL CROSS SECTION  
**7** Outswing shown



**5** HORIZONTAL CROSS SECTION  
**7** Outswing shown - Inswing also approved

Note:  
1. Sidelite assembly screws located 6" from each end plus 4 more equally spaced (6 total).



Documents Prepared By: Lyndon F. Schmidt, P.E.  
TEXAS P.E. #104123

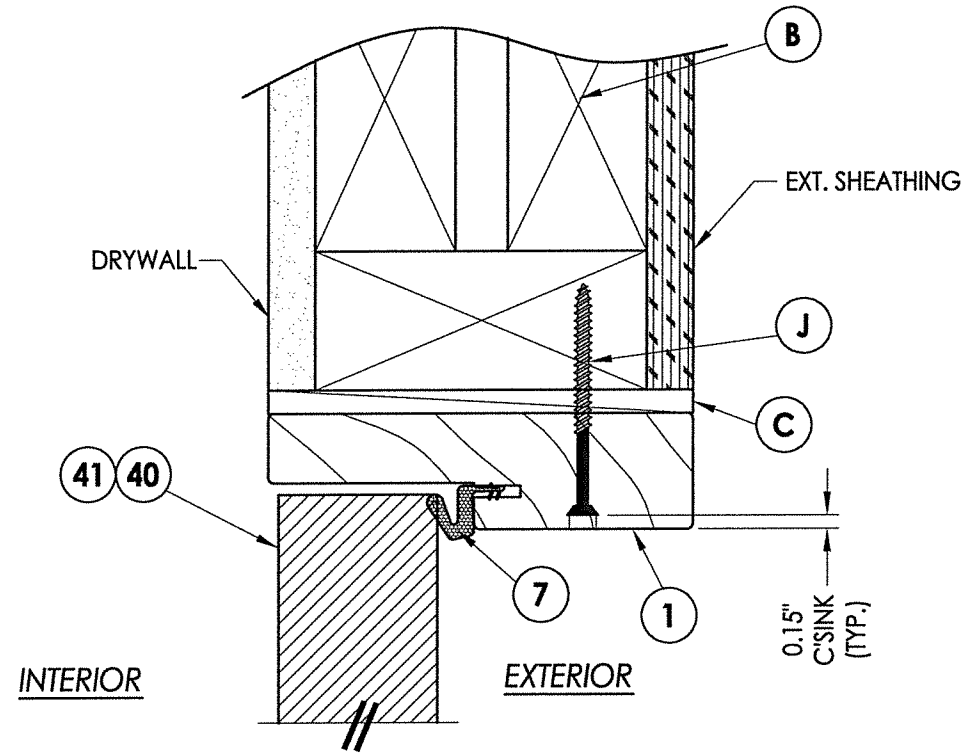
**RW** BUILDING CONSULTANTS, INC.  
P.O. Box 230 Valrico FL, 33595  
Phone No.: 813.659.9197

TEXAS BOARD OF PROFESSIONAL ENGINEERS  
CERTIFICATE OF REGISTRATION # F-11852

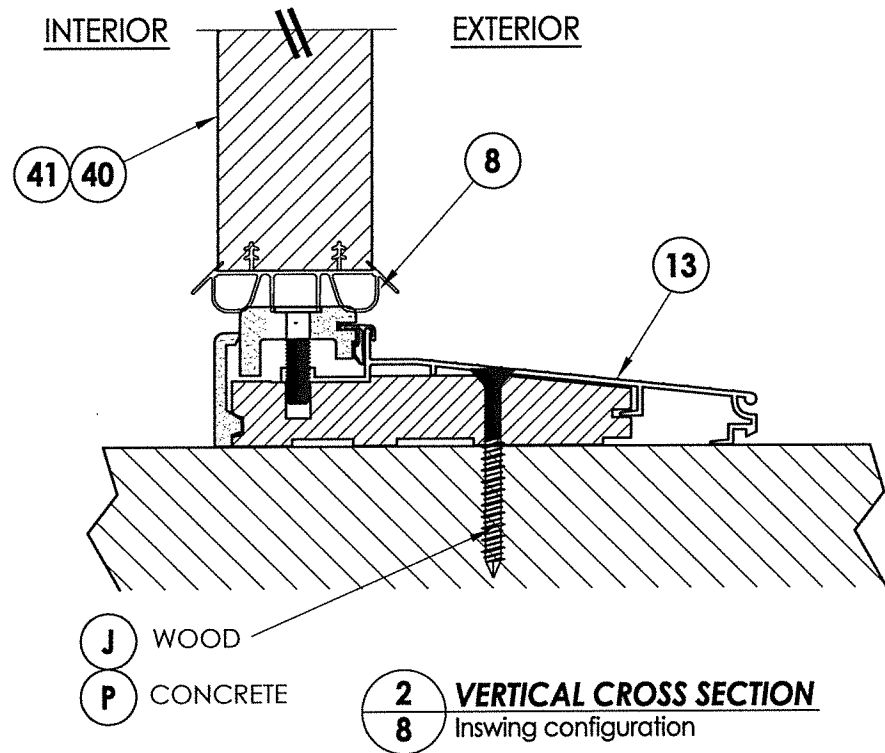
PRODUCT: THERMA-TRU FIBERGLASS DOOR  
PART OR ASSEMBLY: HORIZONTAL CROSS SECTIONS

NO.	DATE	BY	REVISIONS
2	5/14/20	LFS	UPDATE TO 2018 IBC/IRC CODE
1	7/22/15	LFS	ADDED GENERAL NOTE 5.

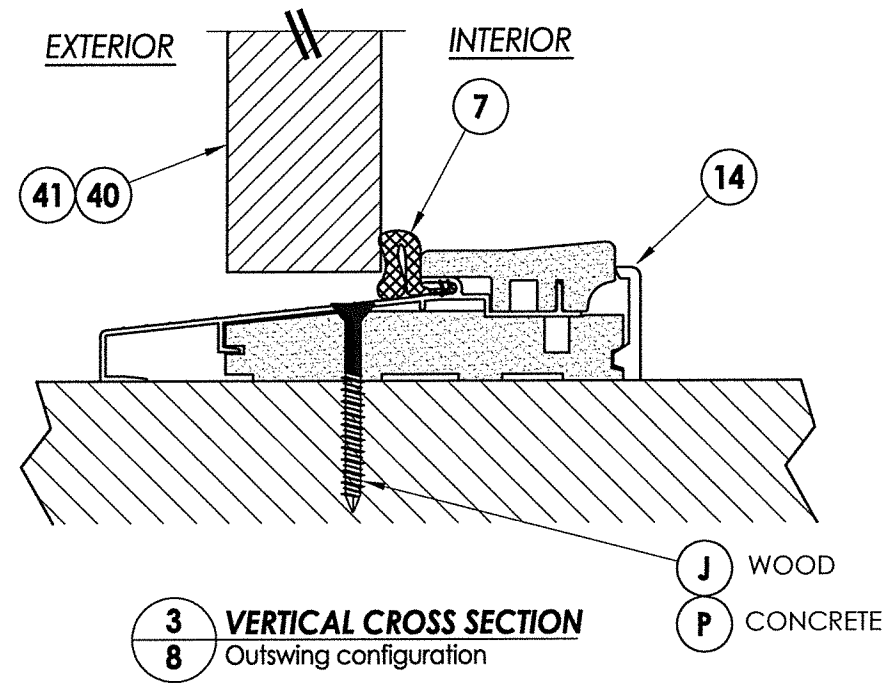
DATE: 10/08/12  
SCALE: N.T.S.  
DWG. BY: JK  
CHK. BY: LFS  
DRAWING NO.: TX-4259  
SHEET 7 OF 12



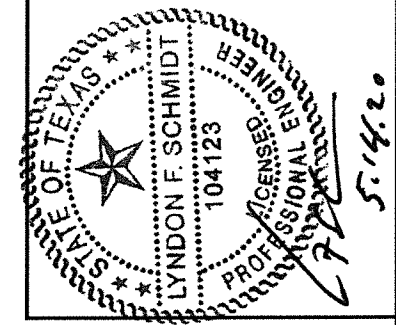
**1** VERTICAL CROSS SECTION  
**8** Inswing shown - Outswing also approved



**2** VERTICAL CROSS SECTION  
**8** Inswing configuration



**3** VERTICAL CROSS SECTION  
**8** Outswing configuration



Documents Prepared By: Lyndon F. Schmidt, P.E.  
 TEXAS P.E. #104123

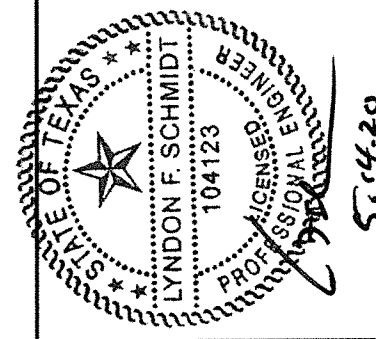
**RW** BUILDING CONSULTANTS, INC.  
 P.O. Box 230 Valrico FL 33595  
 Phone No.: 813.659.9197  
 TEXAS BOARD OF PROFESSIONAL ENGINEERS  
 CERTIFICATE OF REGISTRATION # F-11852

PRODUCT: THERMA-TRU  
 FIBERGLASS DOOR  
 PART OR ASSEMBLY:  
 VERTICAL CROSS SECTIONS

NO.	DATE	BY	REVISIONS
2	5/14/20	LFS	UPDATE TO 2018 IBC/IRC CODE
1	7/22/15	LFS	ADDED GENERAL NOTE 5.

DATE: 10/08/12  
 SCALE: N.T.S.  
 DWG. BY: JK  
 CHK. BY: LFS  
 DRAWING NO.: TX-4259  
 SHEET 8 OF 12

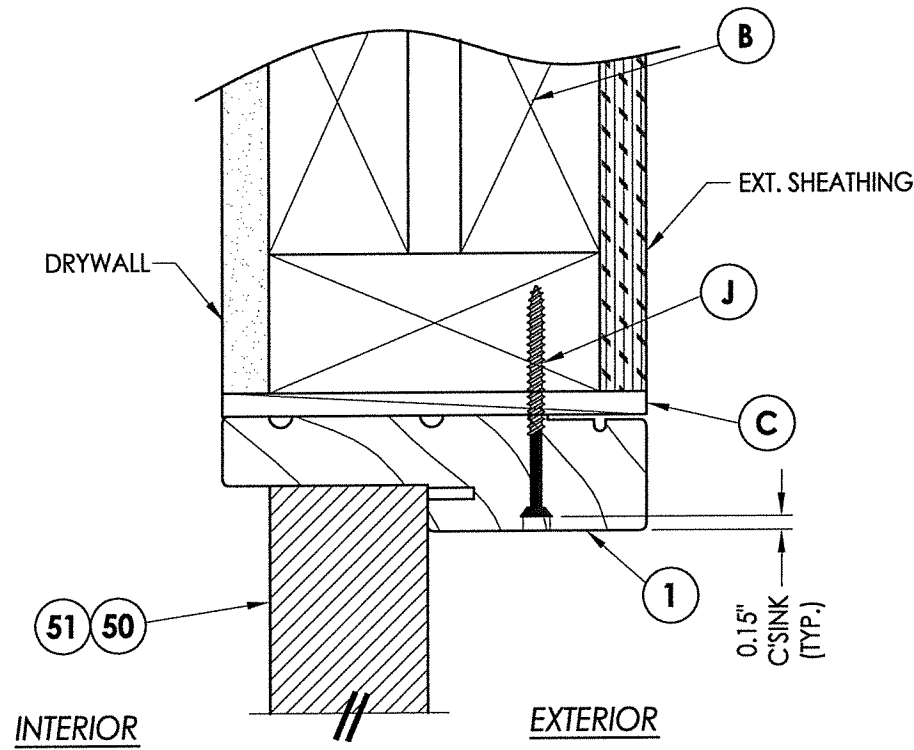




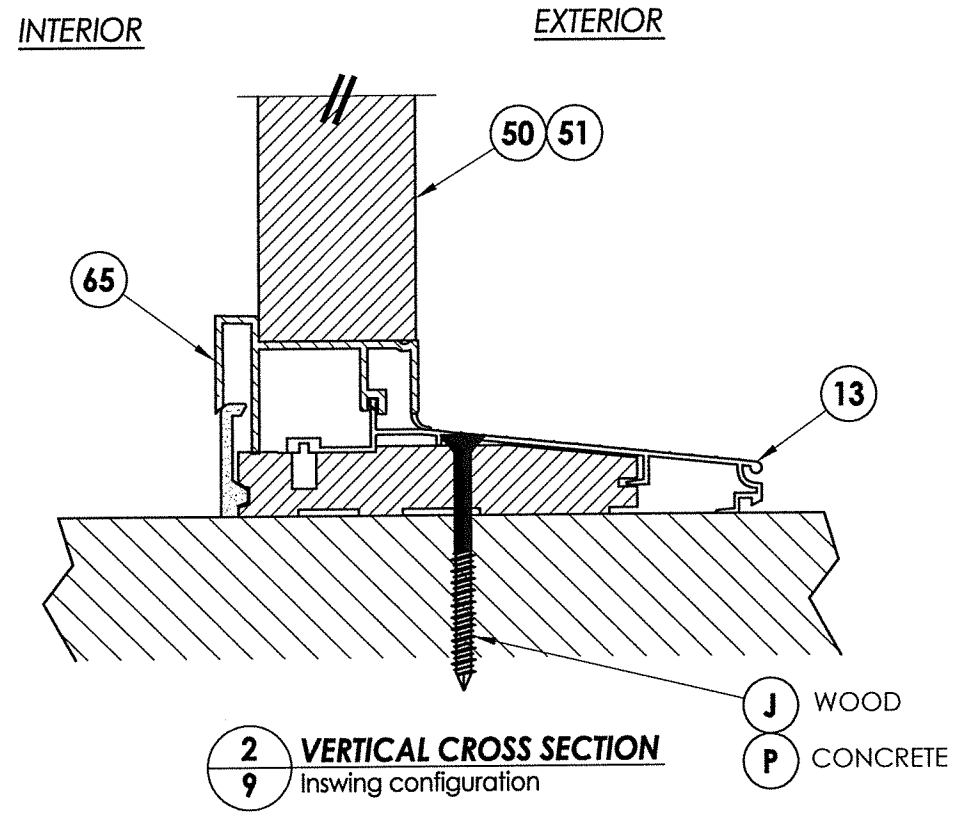
Documents Prepared By: Lyndon F. Schmidt, P.E.  
TEXAS P.E. #104123

**RW** BUILDING CONSULTANTS, INC.  
P.O. Box 230 Valrico FL 33595  
Phone No.: 813.689.9197

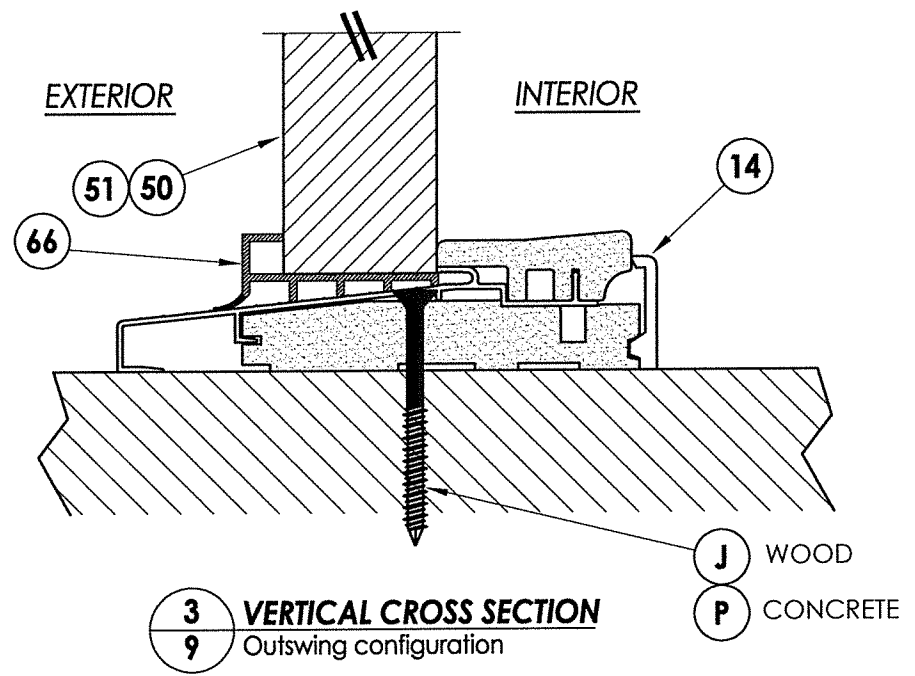
TEXAS BOARD OF PROFESSIONAL ENGINEERS  
CERTIFICATE OF REGISTRATION # F-11852



**1** VERTICAL CROSS SECTION  
**9** Inswing shown - Outswing also approved



**2** VERTICAL CROSS SECTION  
**9** Inswing configuration



**3** VERTICAL CROSS SECTION  
**9** Outswing configuration

PRODUCT: THERMA-TRU FIBERGLASS DOOR

PART OR ASSEMBLY: VERTICAL CROSS SECTIONS

NO.	DATE	BY
2	5/14/20	LFS
1	7/22/15	LFS

DATE: 10/08/12

SCALE: N.T.S.

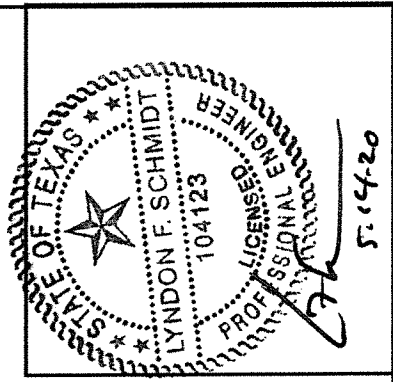
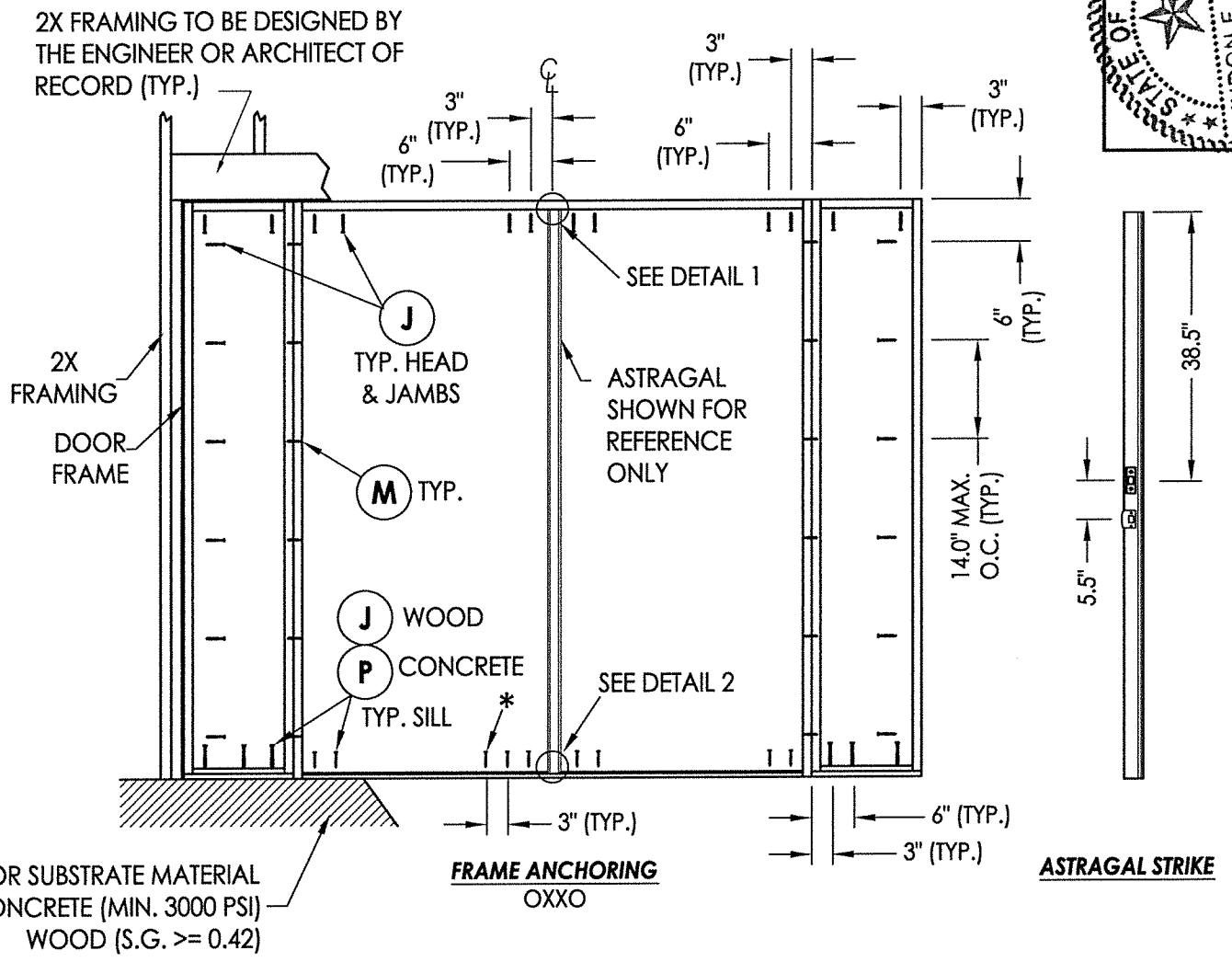
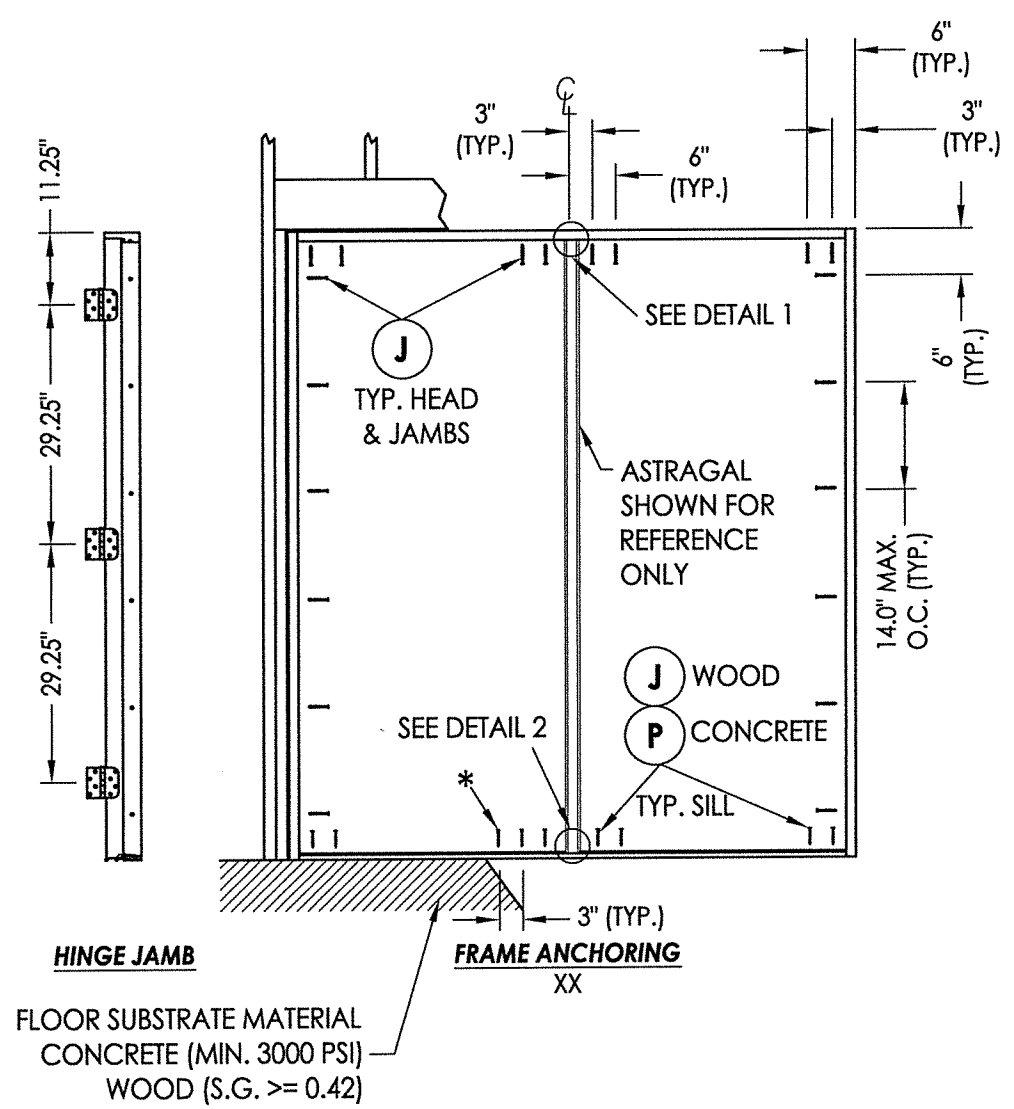
DWG. BY: JK

CHK. BY: LFS

DRAWING NO.: TX-4259

SHEET 9 OF 12

R:\Clients\Therma Tru PERMANENT.B - Texas Dept of Ins\TDI - DR 600 - 68 - 80 Opaque FG NonImp IS - OS Sgls Dbls w SLIC - Drawings\TX-4258-59.dwg, 10.2



Documents Prepared By: Lyndon F. Schmidt, P.E.  
TEXAS P.E. #104123

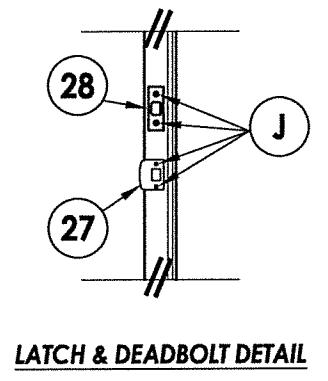
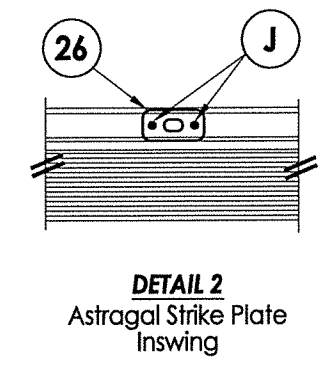
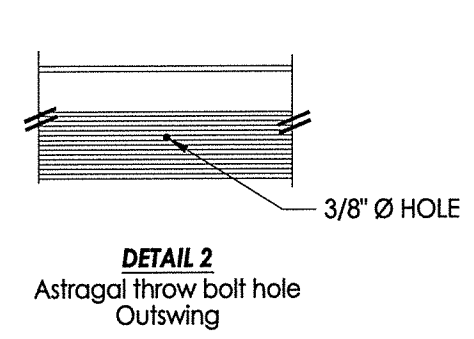
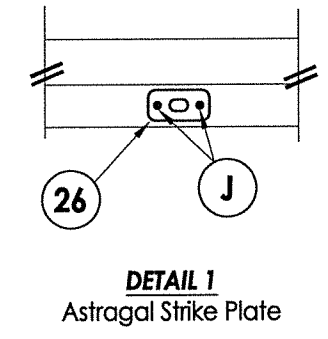
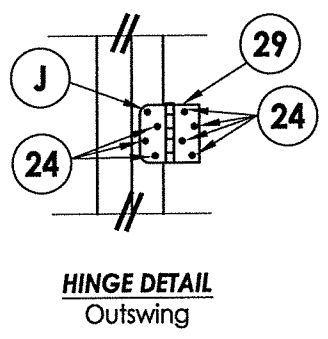
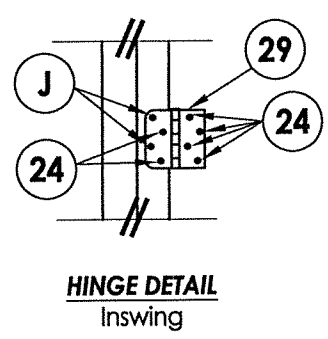
**RW** BUILDING CONSULTANTS, INC.  
P.O. Box 230 Valrico FL 33595  
Phone No.: 813.659.9197

TEXAS BOARD OF PROFESSIONAL ENGINEERS  
CERTIFICATE OF REGISTRATION # F-11852

**HINGE JAMB**  
FLOOR SUBSTRATE MATERIAL  
CONCRETE (MIN. 3000 PSI)  
WOOD (S.G. >= 0.42)

FLOOR SUBSTRATE MATERIAL  
CONCRETE (MIN. 3000 PSI)  
WOOD (S.G. >= 0.42)

\*This anchor required for D.P > 50 psf.



PRODUCT:	Therma-TRU FIBERGLASS DOOR	
PART OR ASSEMBLY:	FRAME ANCHORING	
NO.	DATE	BY
2	5/14/20	LFS
1	7/22/15	LFS

DATE:	10/08/12
SCALE:	N.T.S.
DWG. BY:	JK
CHK. BY:	LFS
DRAWING NO.:	TX-4259
SHEET	10 OF 12

© 2012 R.W. BUILDING CONSULTANTS INC.



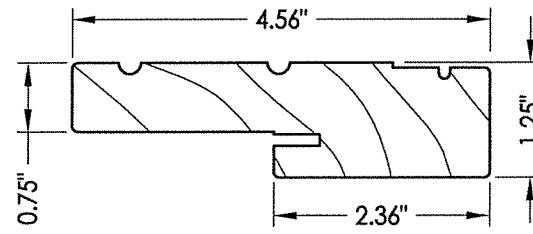
R:\Clients\Therma Tru PERMANENT\B - Texas Dept of Ins\TDI - DR 600 - 68 - 80 Opaque FG NonImp IS - OS Sgls Dbls w SLVC - Drawings\TX-4258-59.dwg, 12.2

BILL OF MATERIALS		
ITEM #	DESCRIPTION	MATERIAL
B	2X BUCK (SG >= 0.42)	WOOD
C	1/4" MAX. SHIM SPACE	-
J	#10 X 2-1/2" PFH WOOD SCREW (MIN. EMB. = 1.15" HEAD/JAMBS, 1-1/2" SILL)	STEEL
M	#10 X 2" PFH WOOD SCREW	STEEL
P	1/4" PFH ELCO OR ITW CONCRETE SCREW (1-3/4" MIN. EMB.)	STEEL
1	JAMB - FINGER JOINTED PINE	WOOD
7	WEATHERSTRIP (Long Reach by Therma-Tru)	FOAM
8	SWEEP	VINYL
9	WEATHERSTRIP (Medium Reach by Therma-Tru)	FOAM
13	INSWING THRESHOLD	ALUM/COMP
14	OUTSWING THRESHOLD	ALUM/COMP
23	#10 X 1-1/2" PH SMS	STEEL
24	#10 x 1" PFH WOOD SCREW	STEEL
26	ASTRAGAL STRIKE PLATE	STEEL
27	LATCH STRIKE PLATE	STEEL
28	DEADBOLT STRIKE PLATE	STEEL
29	4" X 4" HINGE	STEEL
40	DOOR PANEL (SMOOTH STAR/FIBER CLASSIC)	-
41	DOOR PANEL (CLASSIC CRAFT)	-
44	HURRICANE ASTRAGAL	ALUM
50	SIDELITE PANEL (SMOOTH STAR/FIBER CLASSIC)	-
51	SIDELITE PANEL (CLASSIC CRAFT)	-
65	INSWING SIDELITE ADAPTER	PVC
66	OUTSWING SIDELITE ADAPTER	PVC

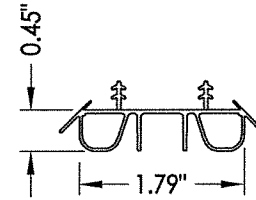
**CONCRETE ANCHOR NOTES:**

1. Concrete anchor locations at the corners may be adjusted to maintain the min. edge distance to mortar joints.
2. Concrete anchor locations noted as "MAX. ON CENTER" must be adjusted to maintain the min. edge distance to mortar joints, additional concrete anchors may be required to ensure the "MAX. ON CENTER" dimension are not exceeded.
3. Concrete anchor table:

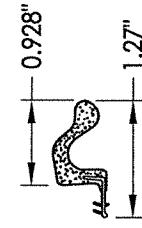
ANCHOR TYPE	ANCHOR SIZE	MIN. EMBEDMENT	MIN. CLEARANCE TO MASONRY EDGE	MIN. CLEARANCE TO ADJACENT ANCHOR
ITW TAPCON®	1/4"	1-3/4"	2-1/2"	3"
ELCO ULTRACON®	1/4"	1-3/4"	1"	3"



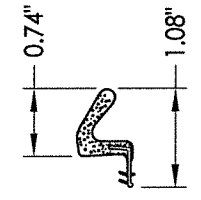
1 WOOD JAMB



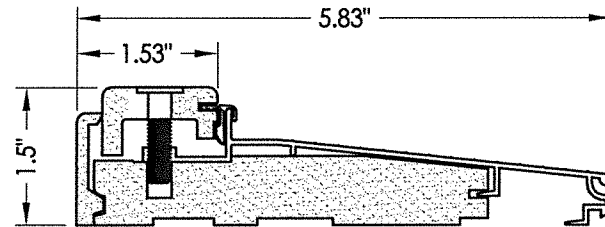
8 SWEEP



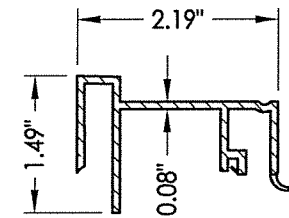
7 WEATHERSTRIP Long Reach



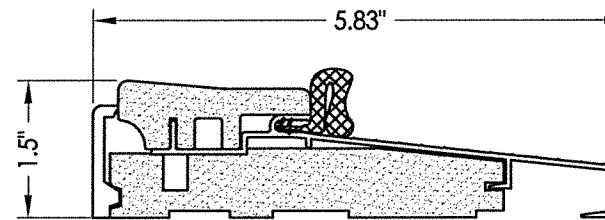
9 WEATHERSTRIP Medium Reach



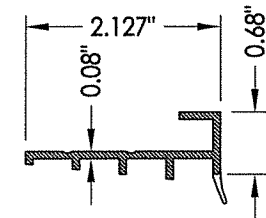
13 INSWING THRESHOLD



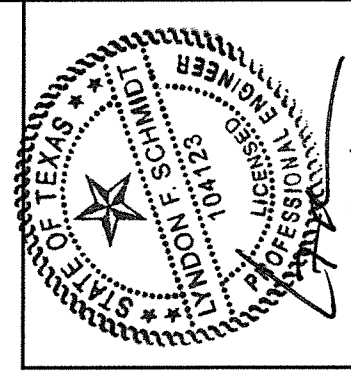
65 INSWING SIDELITE ADAPTER



14 OUTSWING THRESHOLD



66 OUTSWING SIDELITE ADAPTER



Documents Prepared By: Lyndon F. Schmidt, P.E.  
TEXAS P.E. #104123

**RW** BUILDING CONSULTANTS, INC.  
P.O. Box 230 Vairico FL 33595  
Phone No.: 813.659.9197

TEXAS BOARD OF PROFESSIONAL ENGINEERS  
CERTIFICATE OF REGISTRATION # F-11852

PRODUCT:	Therma-Tru FIBERGLASS DOOR
PART OR ASSEMBLY:	BILL OF MATERIALS & COMPONENTS
DATE:	10/08/12
SCALE:	N.T.S.
DWG. BY:	JK
CHK. BY:	LFS
DRAWING NO.:	TX-4259
SHEET	12 OF 12