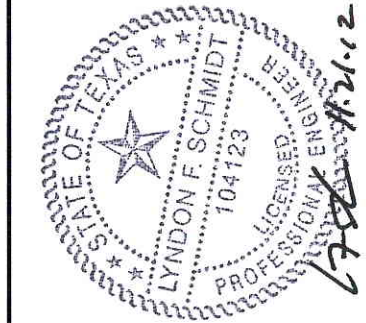


THERMA TRU®

118 INDUSTRIAL DR., EDGERTON, OH 43517
TEL. (419)298-1740

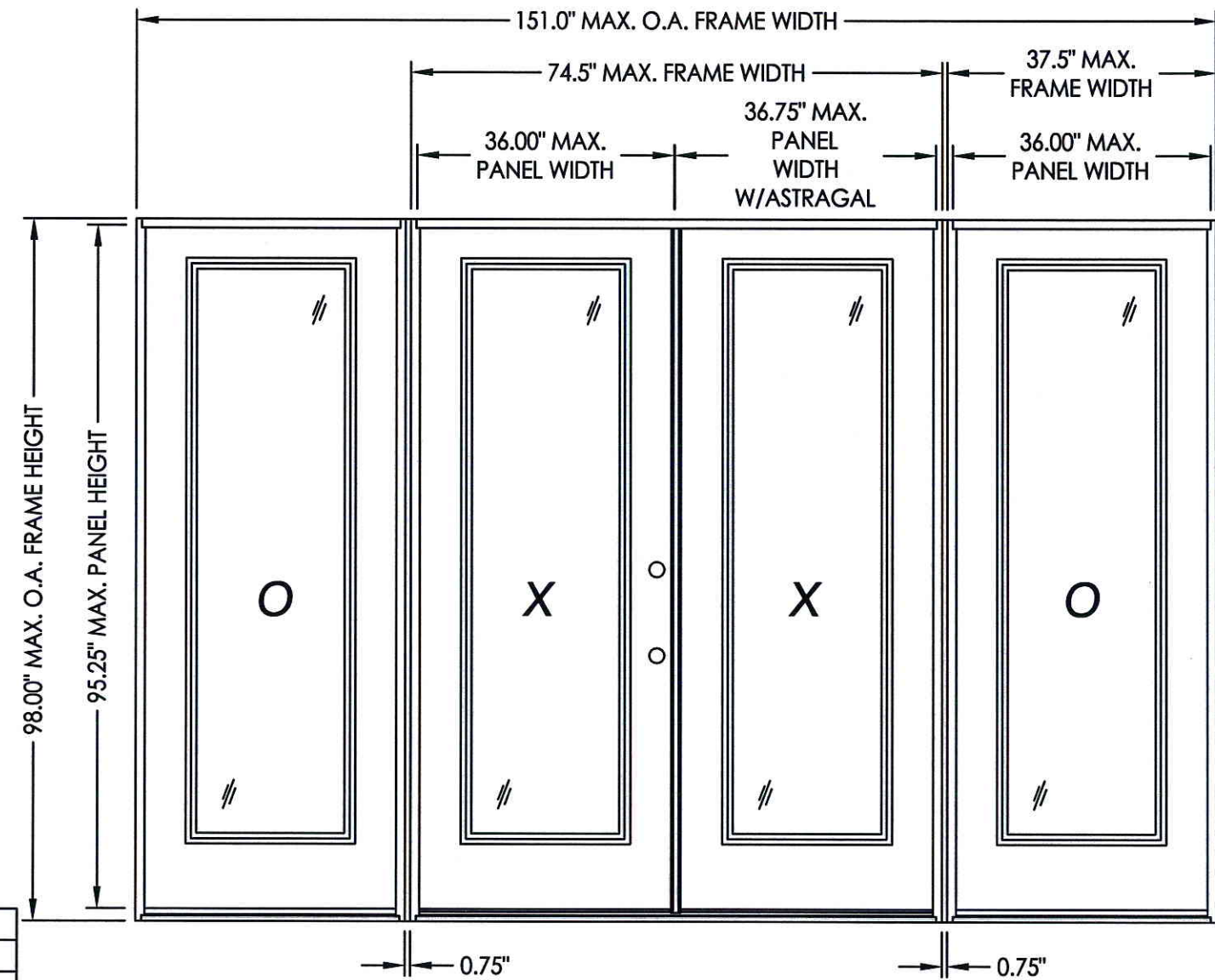
"SMOOTH STAR", "FIBER CLASSIC", "CLASSIC CRAFT" & "CLASSIC CRAFT RUSTIC" GLAZED FIBERGLASS DOUBLE DOOR W/SIDELITES IN SWING / OUT SWING "IMPACT"



Documents Prepared By: Lyndon F. Schmidt, P.E.
TEXAS P.E. #104123

RW BUILDING CONSULTANTS, INC.
P.O. Box 230 Valrico FL 33595
Phone No.: 813.659.9197

TEXAS BOARD OF PROFESSIONAL ENGINEERS
CERTIFICATE OF REGISTRATION # F-11852



EVALUATED FOR USE IN THE STATE OF TEXAS

The Fiberglass Glazed Door described herein complies with the 2006 International Residential Code (IRC), Sections R301 & R613 and the 2006 International Building Code (IBC), Sections 1405.12, 1609, 1714.5, 2403 and 2404 (including Texas revisions) subject to the following conditions:

1. Anchors shall be as listed and spaced as shown in the details. Anchor embedment to base material shall be beyond wall dressing or stucco.
2. This system has been tested and evaluated as a large missile impact protective system for installation in the Seaward, Inland I and Inland II areas. This product meets missile level "D" as defined in ASTM E 1996.
3. Allowable design pressure requirements must be equal to or less than the design pressure rating shown in the design pressure chart, sheet 1 of this drawing.
4. Conditions not covered by this drawing are subject to further engineering analysis.

TABLE OF CONTENTS

SHEET #	DESCRIPTION
1	TYPICAL ELEVATION, DESIGN PRESSURES & GENERAL NOTES
2	"SMOOTH STAR" DOOR/SIDELITE PANEL DETAILS
3	"CLASSIC CRAFT" & "CLASSIC CRAFT RUSTIC" DOOR/SIDELITE PANEL DETAILS
4	"FIBER CLASSIC" DOOR/SIDELITE PANEL DETAILS
5	HORIZONTAL CROSS SECTIONS
6	VERTICAL CROSS SECTIONS
7	VERTICAL CROSS SECTIONS
8	FRAME ANCHORING
9	COMPONENTS
10	BILL OF MATERIALS & COMPONENTS

"SMOOTH STAR", "FIBER CLASSIC"
"CLASSIC CRAFT" & "CLASSIC CRAFT RUSTIC"

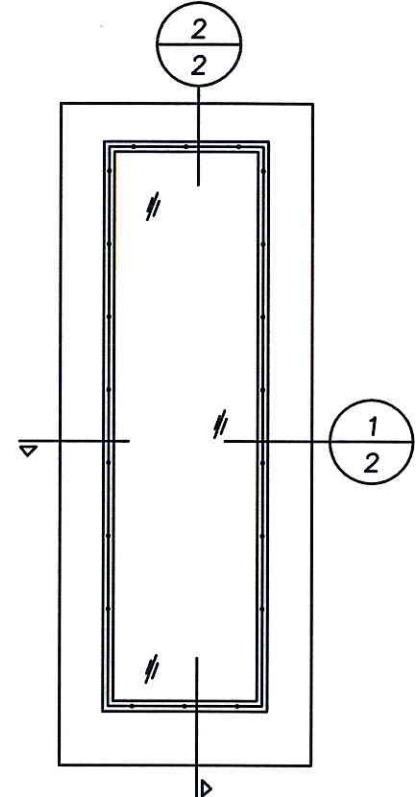
SWING	OVERALL FRAME DIMENSION	OVERALL D.L.O. DOOR / SIDELITE DIMENSION	DESIGN PRESSURE (PSF)	
			POSITIVE	NEGATIVE
IN SWING	151.0" X 98.00"	21.00" X 78.75"	+50.0	-50.0
OUT SWING	151.0" X 96.75"	21.00" X 78.75"	+50.0	-50.0

PRODUCT: THERMA-TRU GLAZED FIBERGLASS DBL DOOR W/ SIDELITES IN/OUTSWING "IMPACT"
PART OR ASSEMBLY:
TYPICAL ELEVATION, DESIGN PRESSURES & GENERAL NOTES

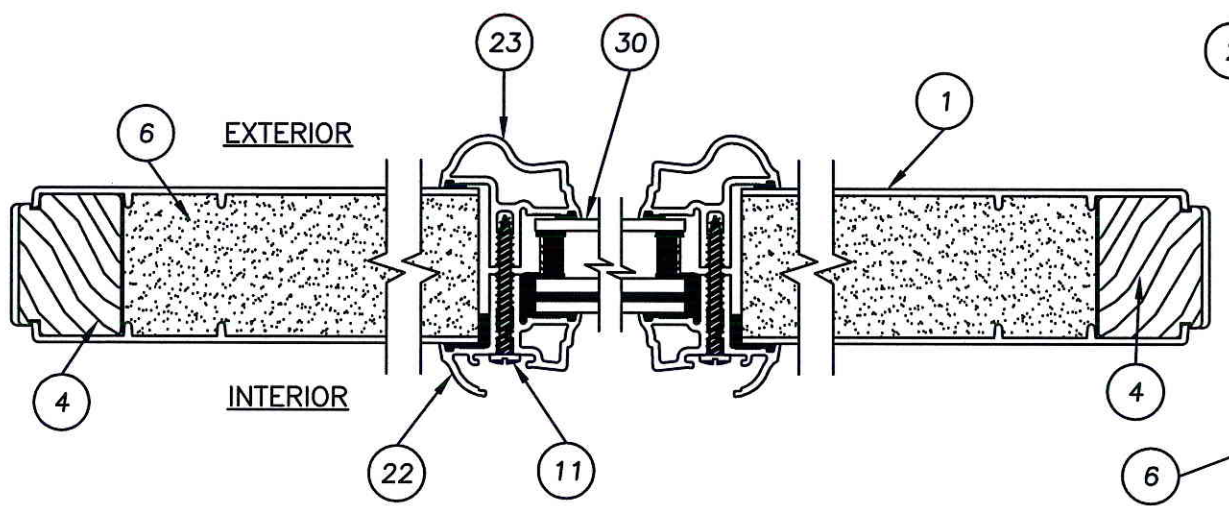
NO.	DATE	BY	REVISIONS

DATE: 7/17/12
SCALE: N.T.S.
DWG. BY: JK
CHK. BY: LFS
DRAWING NO.: TX-4199
SHEET 1 OF 10

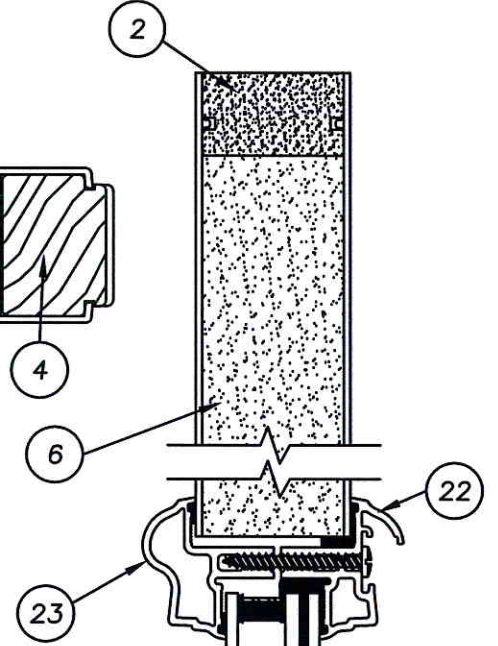
R:\A - Projects\Project Folders\Proj 1101 - 1200\pf1106\106.D. RWBC Drawings\TX-2012\TX-4195-99.dwg, 2.9



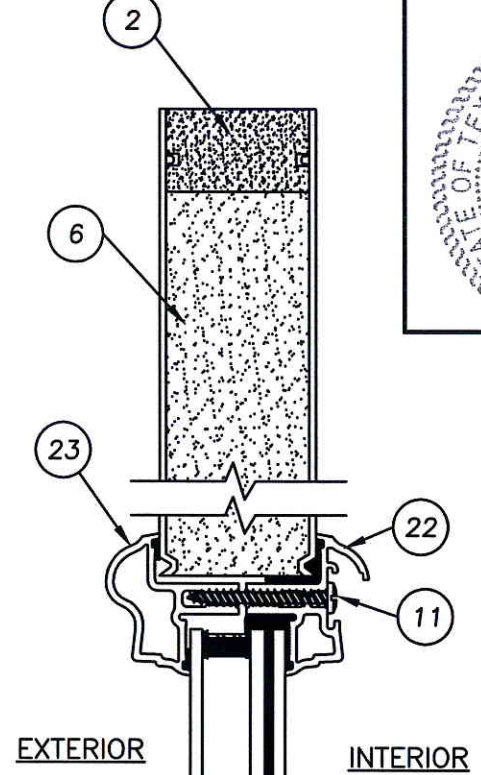
SIDELITE PANEL



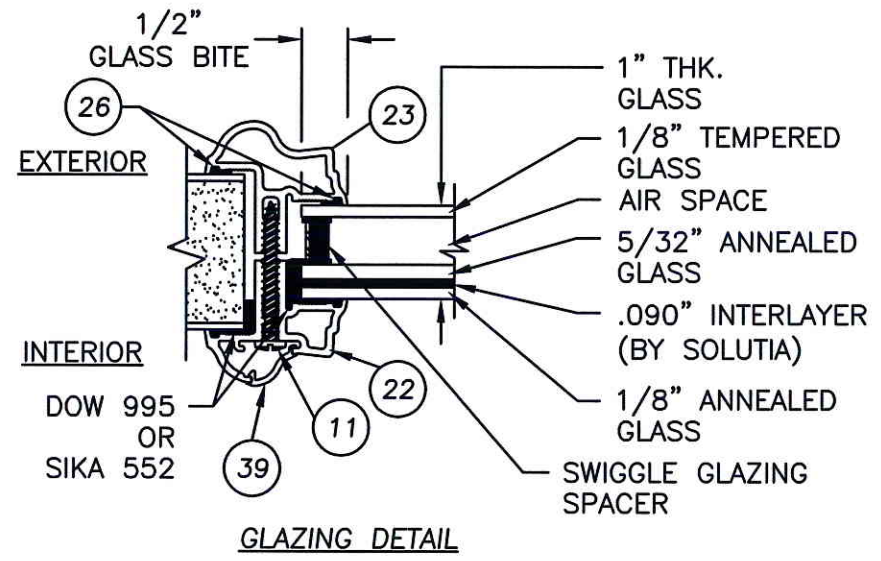
1 HORIZONTAL CROSS SECTION
2 SIDELITE PANEL



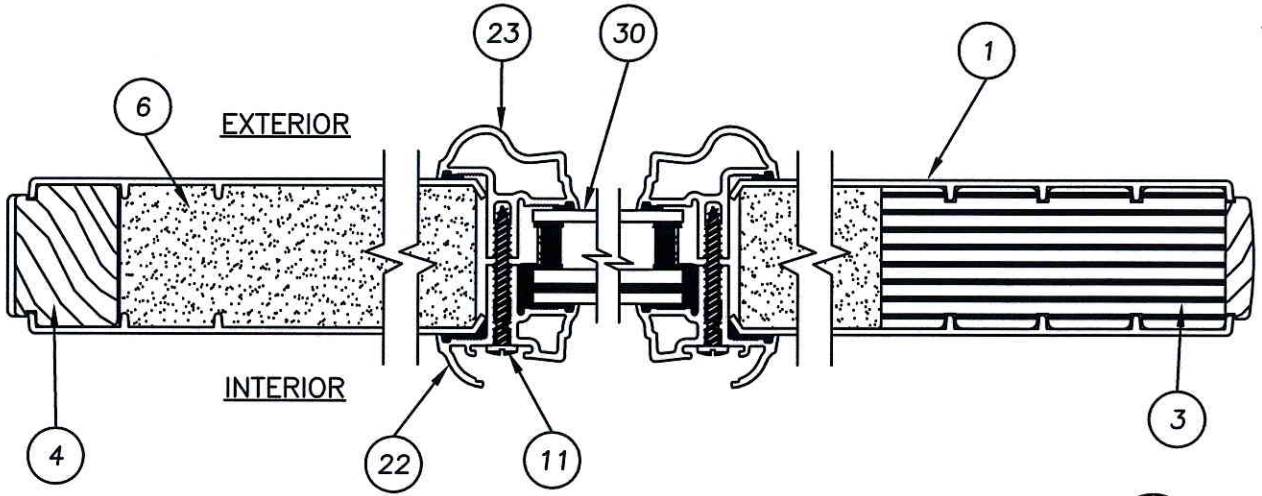
2 VERTICAL CROSS SECTION
2 SIDELITE PANEL



4 VERTICAL CROSS SECTION
2 DOOR PANEL

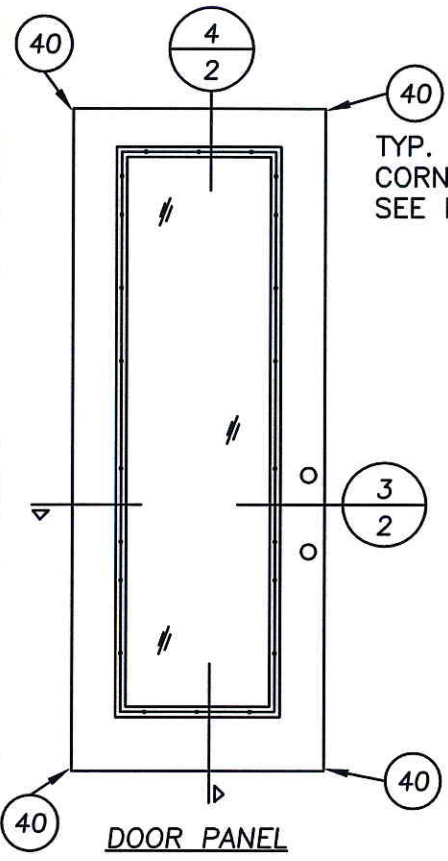


GLAZING DETAIL



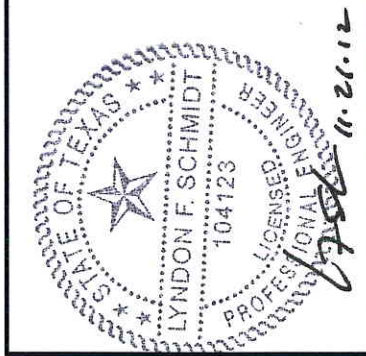
3 HORIZONTAL CROSS SECTION
2 DOOR PANEL

NOTE:
1. ITEM #40 #9 x 3" PFH W.S. LOCATED THRU DOOR STYLES INTO TOP & BOTTOM RAILS TYP. (4) CORNER AS SHOWN.



DOOR PANEL

TYP. (4) CORNERS SEE NOTE 1



Documents Prepared By: Lyndon F. Schmidt, P.E.
TEXAS P.E. #104123
RW BUILDING CONSULTANTS, INC.
P.O. Box 230 Valrico FL 33595
Phone No.: 813.659.9197
TEXAS BOARD OF PROFESSIONAL ENGINEERS
CERTIFICATE OF REGISTRATION # F-11852

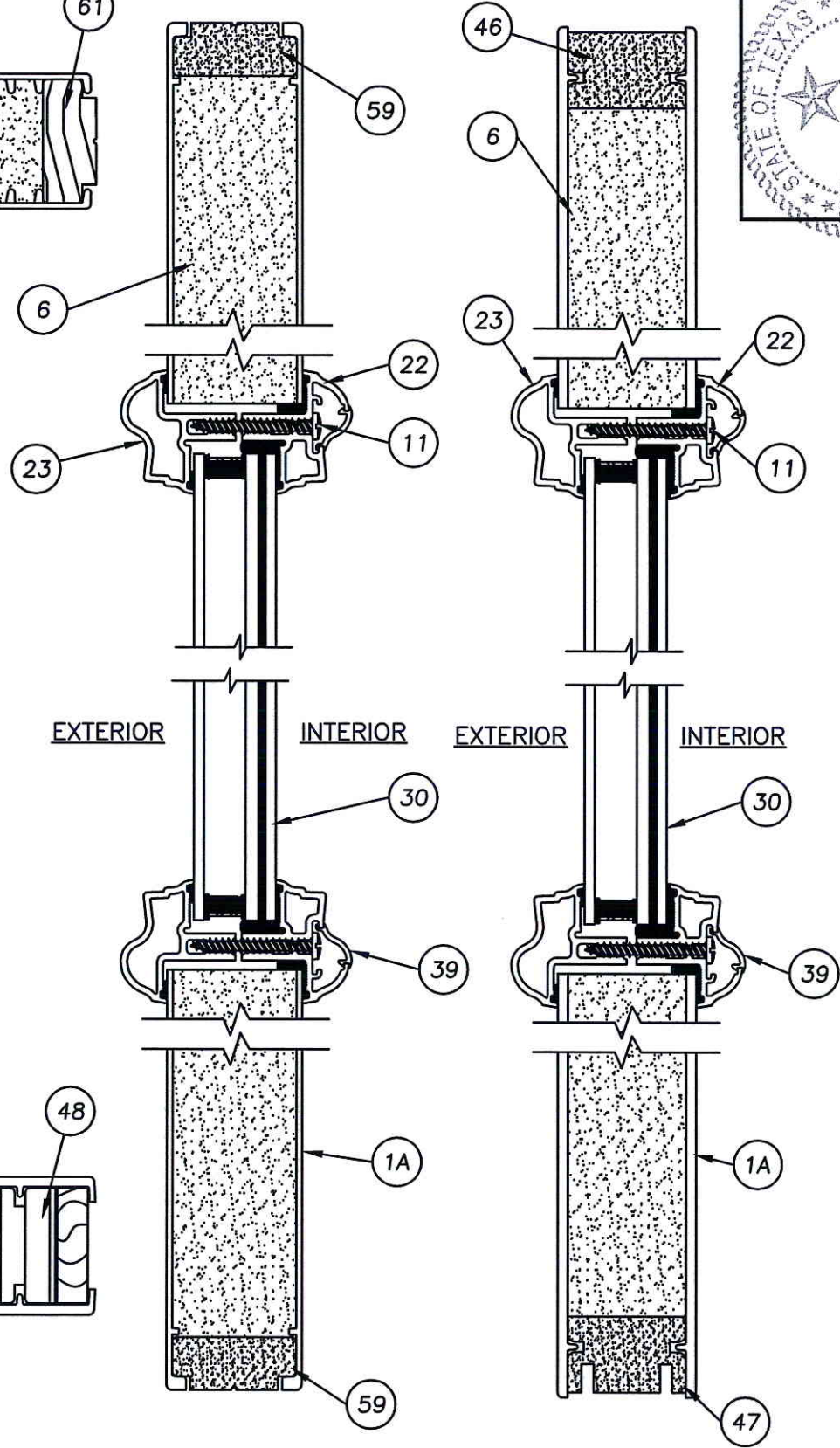
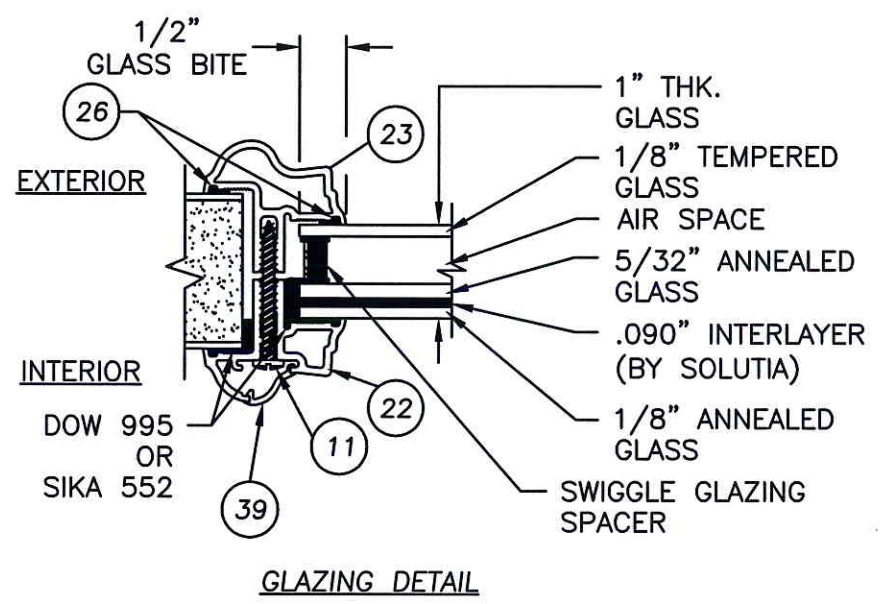
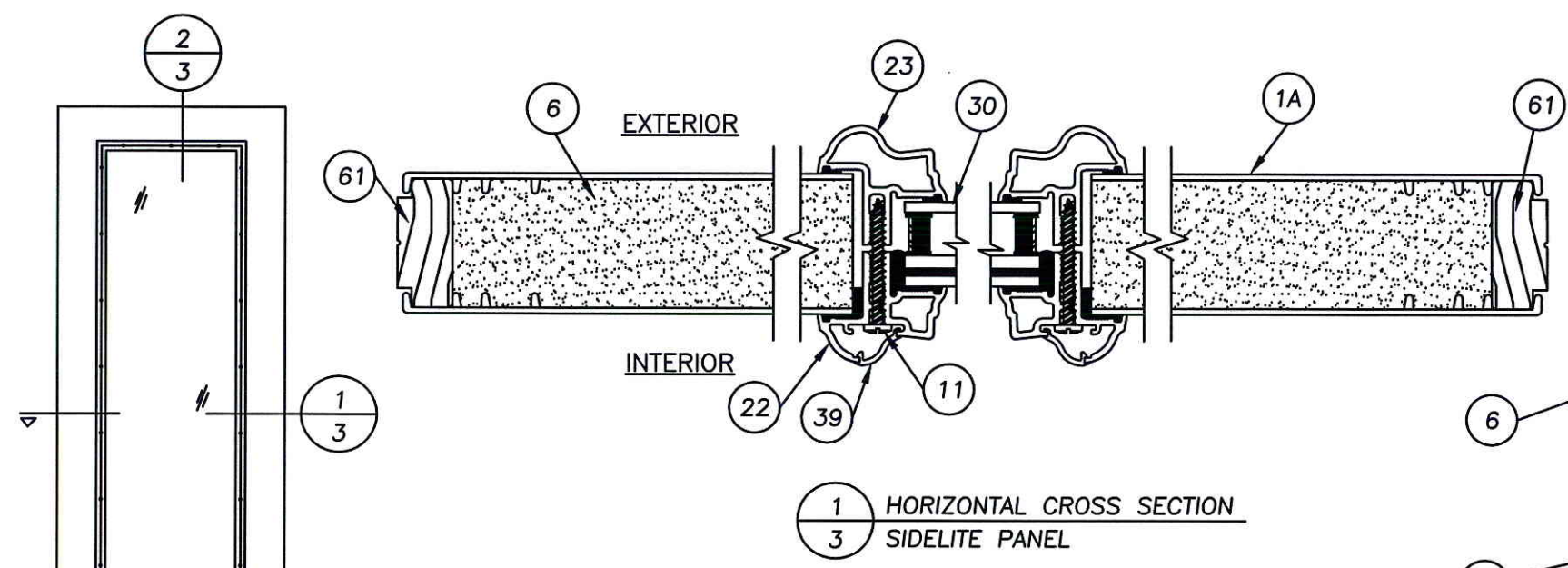
PRODUCT: THERMA-TRU DOOR W/
GLAZED FIBERGLASS DBL DOOR W/
SIDELITES IN/OUTSWING "IMPACT"
PART OR ASSEMBLY:
"SMOOTH STAR"
DOOR/SIDELITE PANEL DETAILS

NO.	DATE	BY	REVISIONS

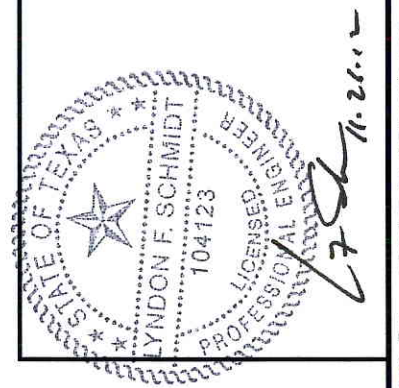
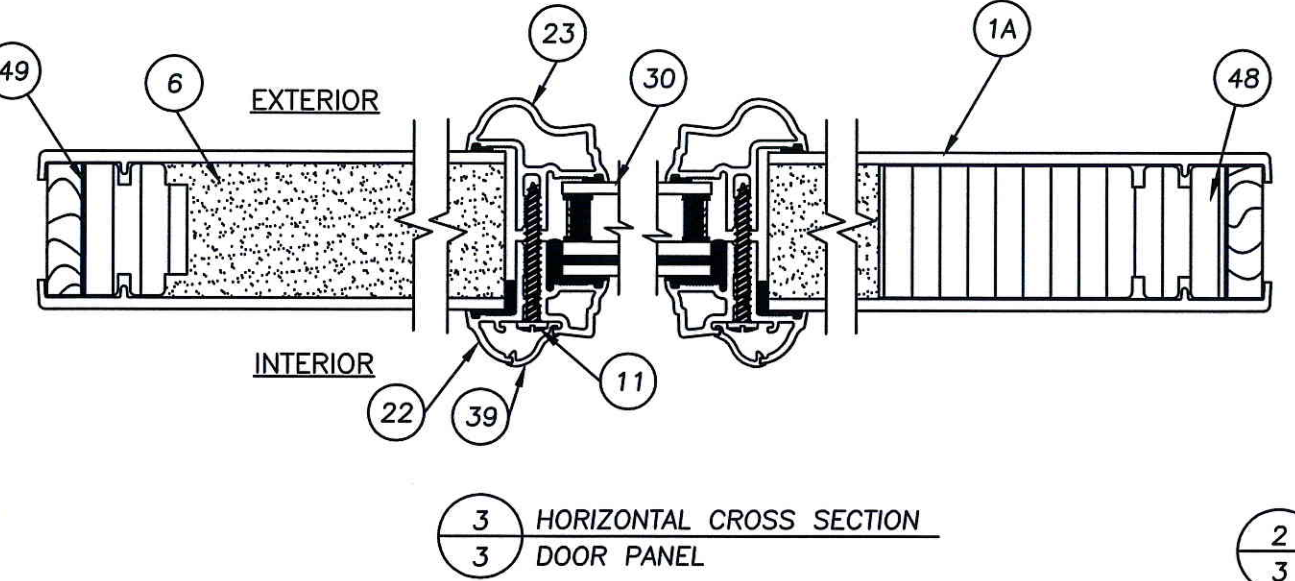
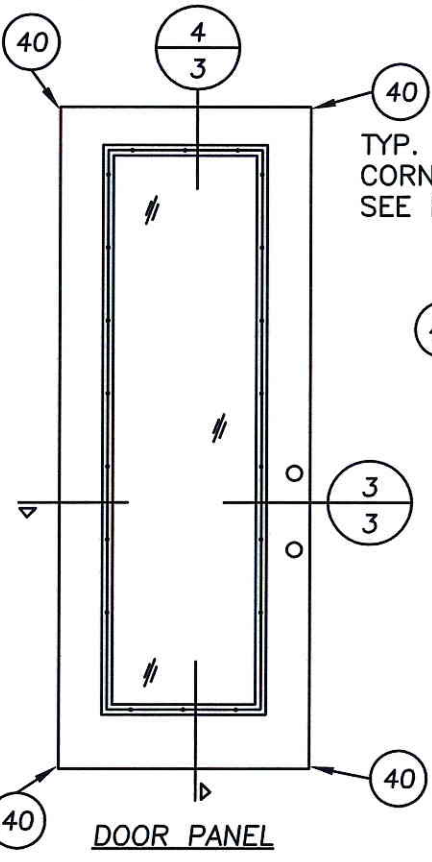
DATE: 7/17/12
SCALE: N.T.S.
DWG. BY: JK
CHK. BY: LFS
DRAWING NO.: TX-4199
SHEET 2 OF 10

© 2012 R.W. BUILDING CONSULTANTS INC.

R:\A - Projects\Project Folders\Proj 1101 - 1200\pf1106.D. RWBC Drawings\TX-2012\TX-4195-99.dwg, 3.9



NOTE:
1. ITEM #40 #9 x 3" PFH W.S. LOCATED THRU DOOR STYLES INTO TOP & BOTTOM RAILS TYP. (4) CORNER AS SHOWN.



Documents Prepared By: Lyndon F. Schmidt, P.E.
TEXAS P.E. #104123

RW BUILDING CONSULTANTS, INC.
P.O. Box 230 Vairico FL. 33595
Phone No.: 813.659.9197

TEXAS BOARD OF PROFESSIONAL ENGINEERS
CERTIFICATE OF REGISTRATION # F-11852

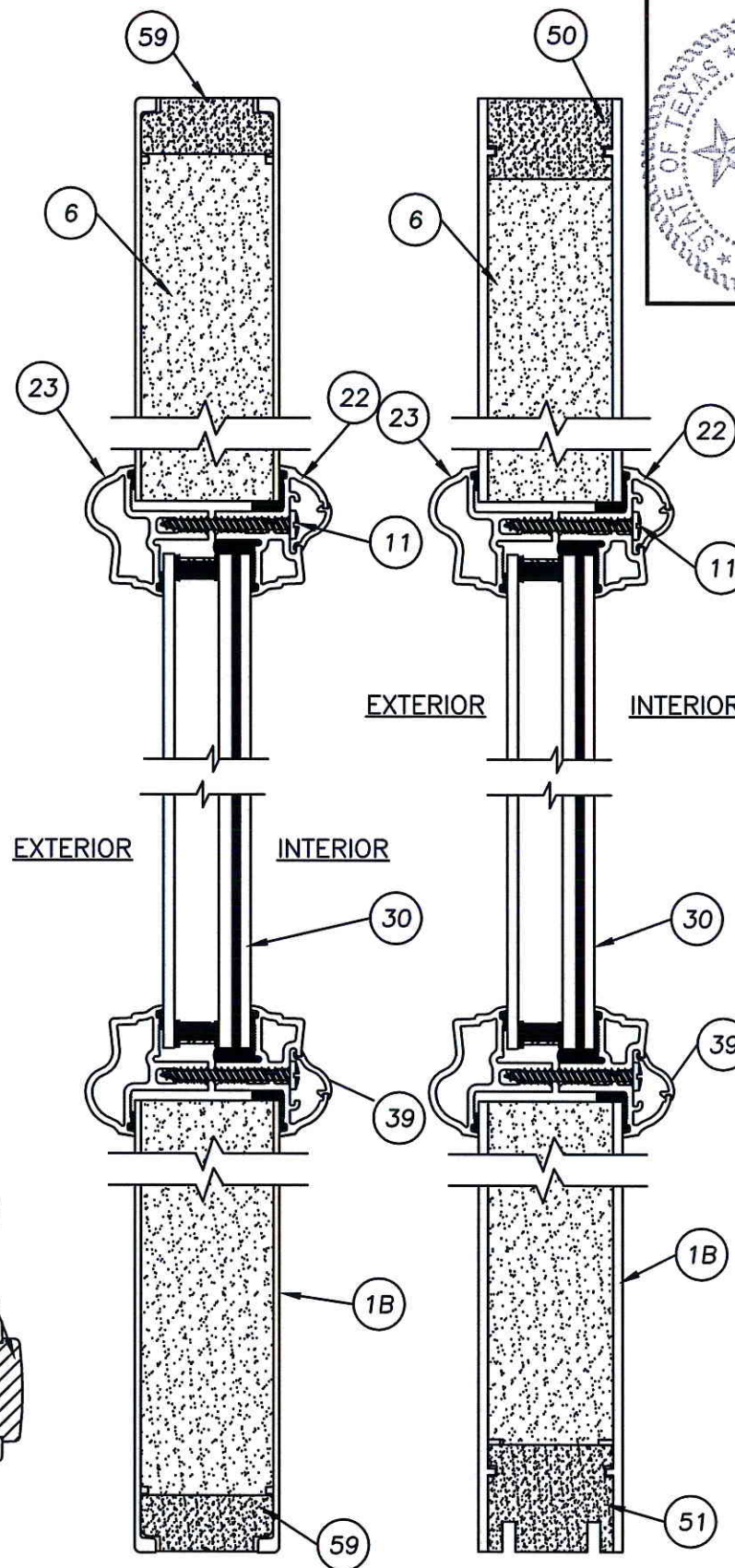
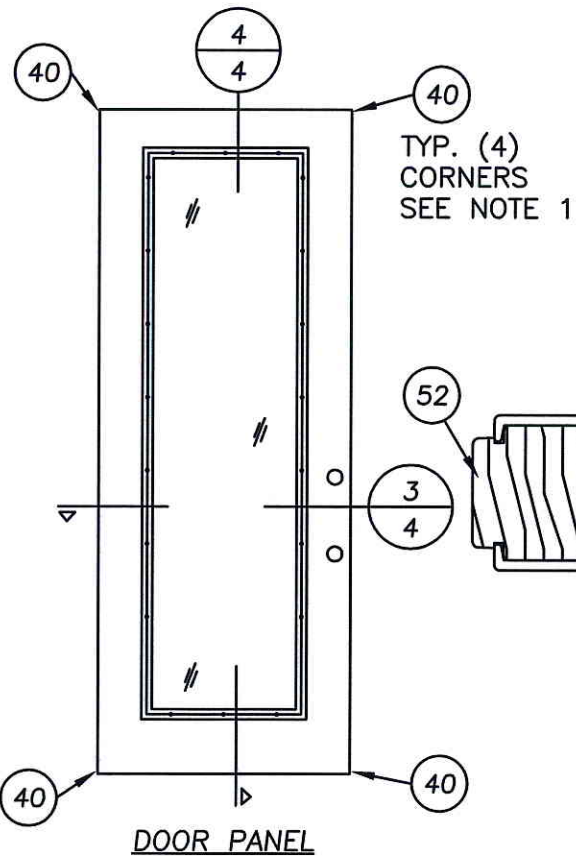
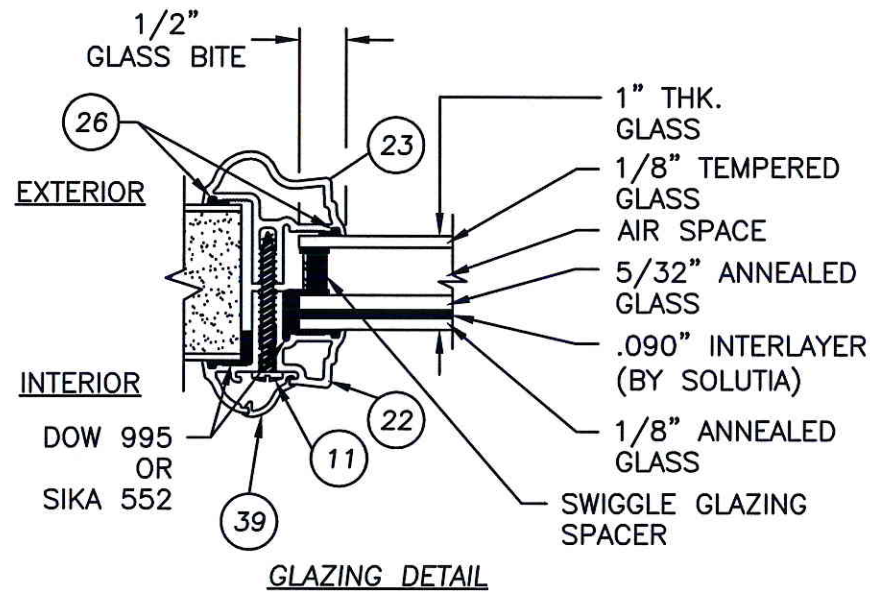
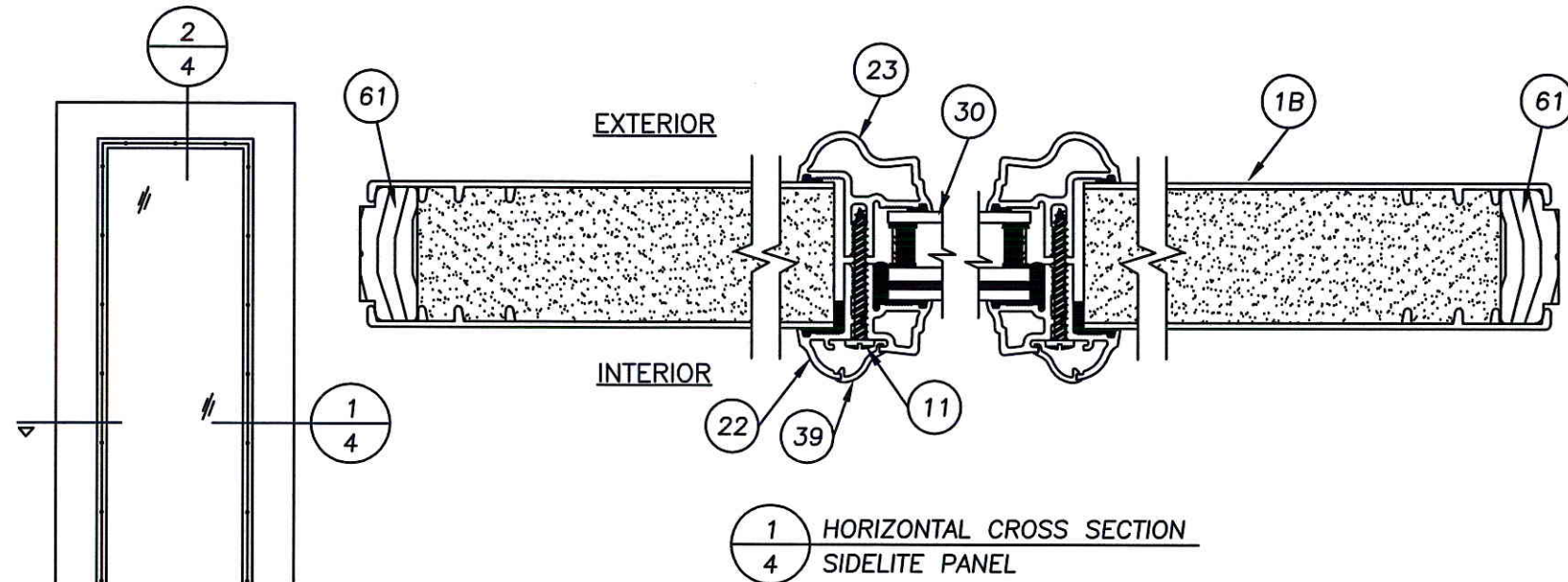
PRODUCT: THERMA-TRU DBL DOOR W/
GLAZED FIBERGLASS DBL DOOR W/
SIDELITES IN/OUTSWING "IMPACT"
PART OR ASSEMBLY:
"CLASSIC CRAFT" & "CC RUSTIC"
DOOR/SIDELITE PANEL DETAILS

NO.	DATE	BY	REVISIONS

DATE: 7/17/12
SCALE: N.T.S.
DWG. BY: JK
CHK. BY: LFS
DRAWING NO.: TX-4199
SHEET 3 OF 10

© 2012 R.W. BUILDING CONSULTANTS INC.

R:\A - Projects\Project Folders\Proj 1101 - 1200\pf1106\106.D. RWBC Drawings\TX-2012\TX-4195-99.dwg, 4.9



Documents Prepared By: Lyndon F. Schmidt, P.E.
TEXAS P.E. #104123

RW BUILDING CONSULTANTS, INC.
P.O. Box 230 Valrico FL 33595
Phone No.: 813.659.9197

TEXAS BOARD OF PROFESSIONAL ENGINEERS
CERTIFICATE OF REGISTRATION # F-11852

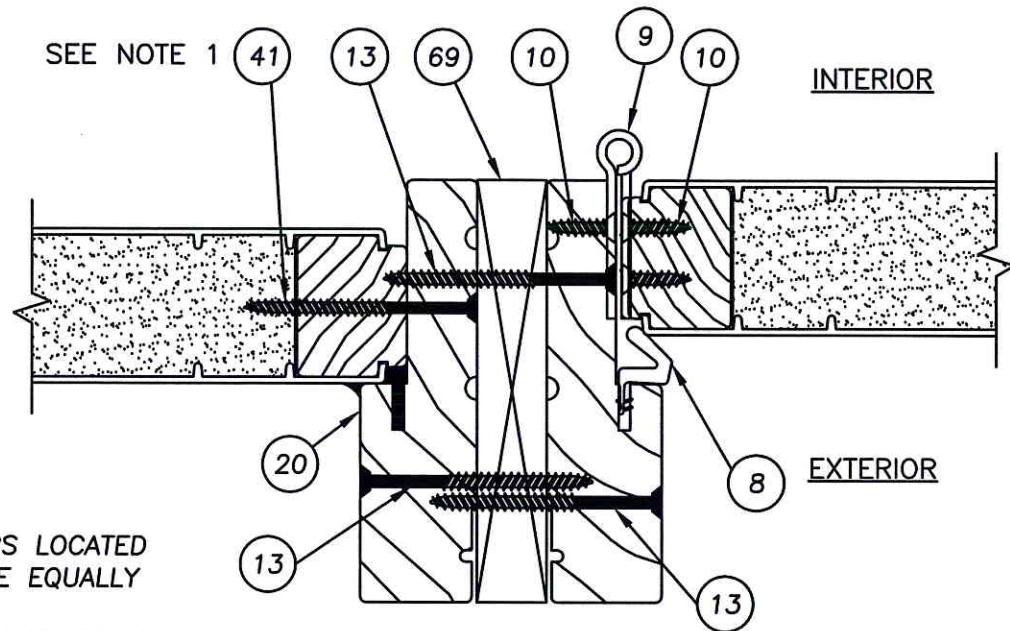
PRODUCT: THERMA-TRU DOOR W/
GLAZED FIBERGLASS DBL SIDELITES IN/OUTSWING "IMPACT"
PART OR ASSEMBLY:

"FIBER CLASSIC"
DOOR/SIDELITE PANEL DETAILS

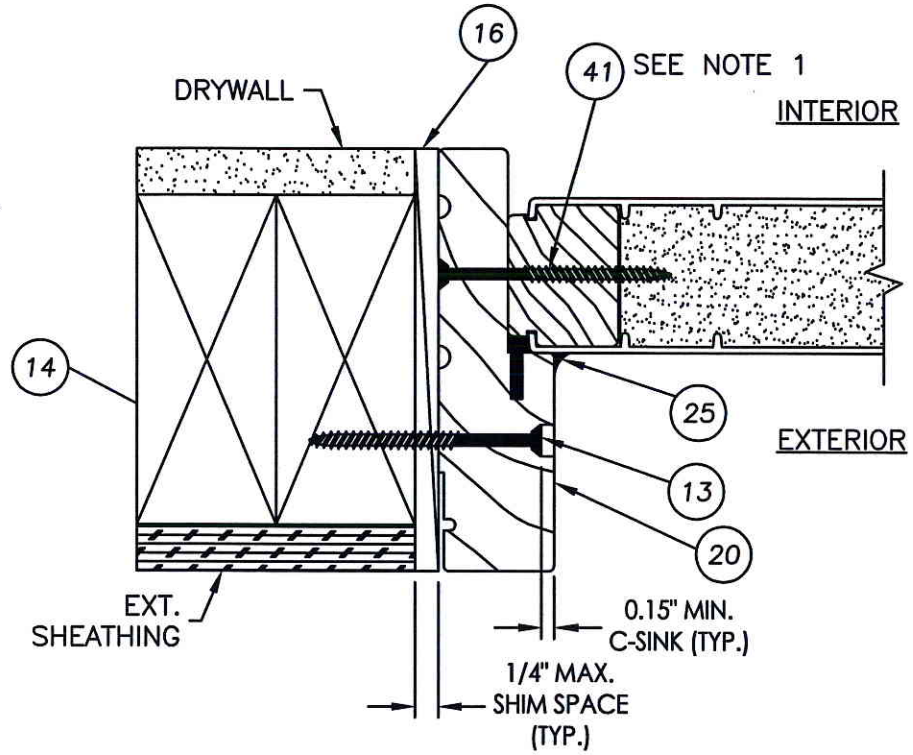
NO.	DATE	BY	REVISIONS

DATE: 7/17/12
SCALE: N.T.S.
DWG. BY: JK
CHK. BY: LFS
DRAWING NO.: TX-4199
SHEET 4 OF 10

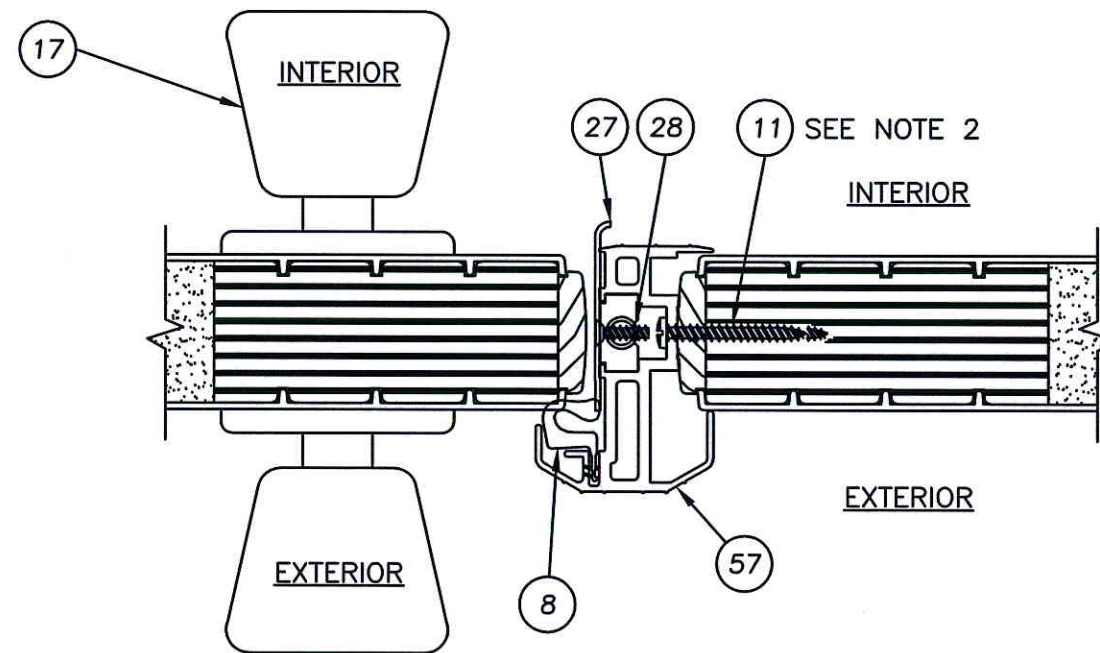
© 2012 R.W. BUILDING CONSULTANTS INC.



2 HORIZONTAL CROSS SECTION
5 INSWING SHOWN (OUTSWING ALSO APPROVED)
 ("Smooth Star Series" shown)



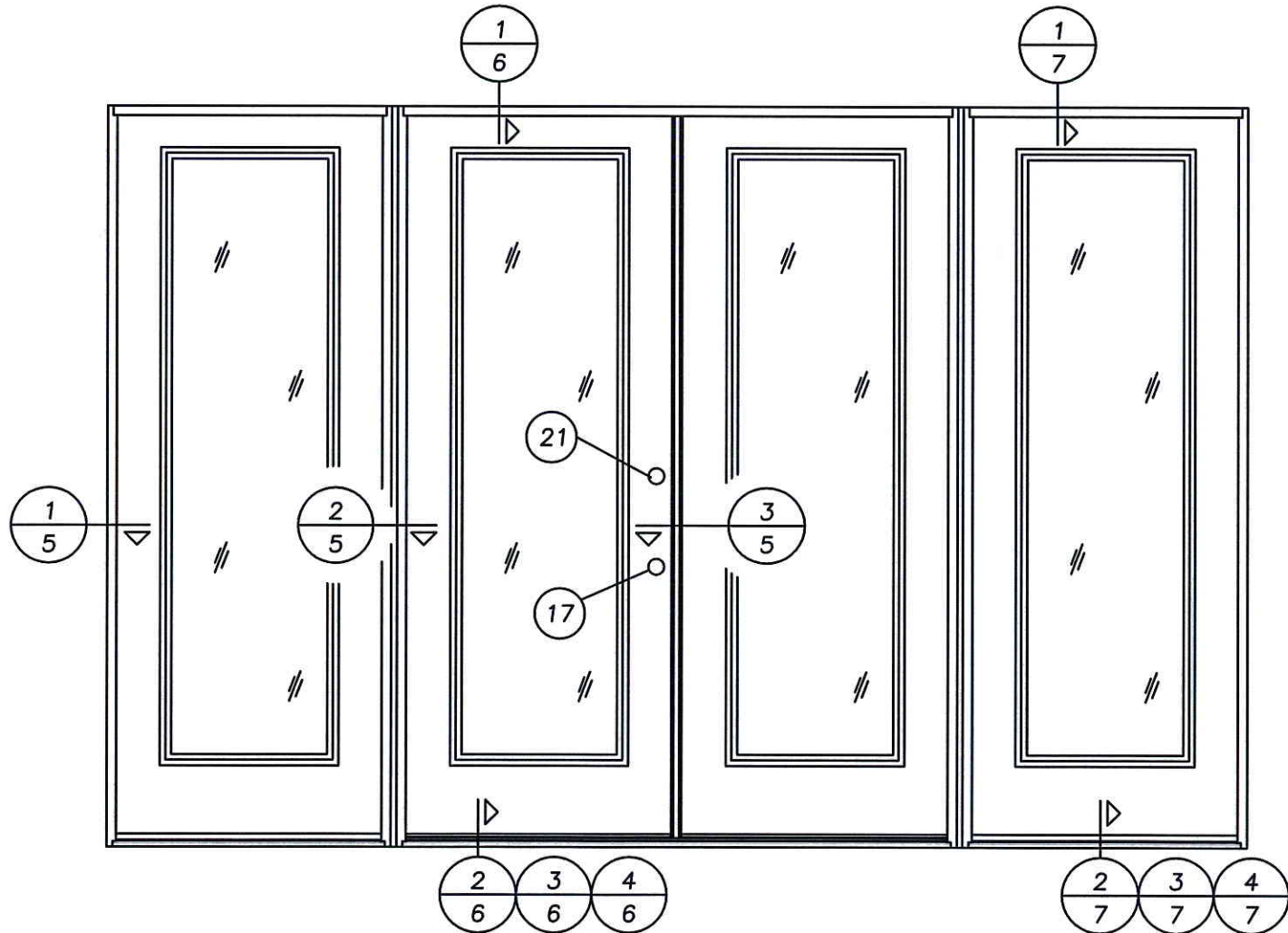
1 HORIZONTAL CROSS SECTION
5 INSWING SHOWN (OUTSWING ALSO APPROVED)
 ("Smooth Star Series" shown)



3 HORIZONTAL CROSS SECTION
5 INSWING SHOWN (OUTSWING ALSO APPROVED)
 ("Smooth Star Series" shown)

NOTES:

- SIDELITE ASSEMBLY FASTENERS LOCATED 6" FROM ENDS PLUS 6 MORE EQUALLY SPACED (8 TOTAL).
- ASTRALGAL RETAINING SCREWS LOCATED @ 3/4", 2", 3-1/4", 4-1/2", 18-7/8", 37-1/4", 57-7/8", 76-3/8", 90-3/4", 92", 93" & 94-1/2" FROM TOP OF ASTRAGAL (12 TOTAL).



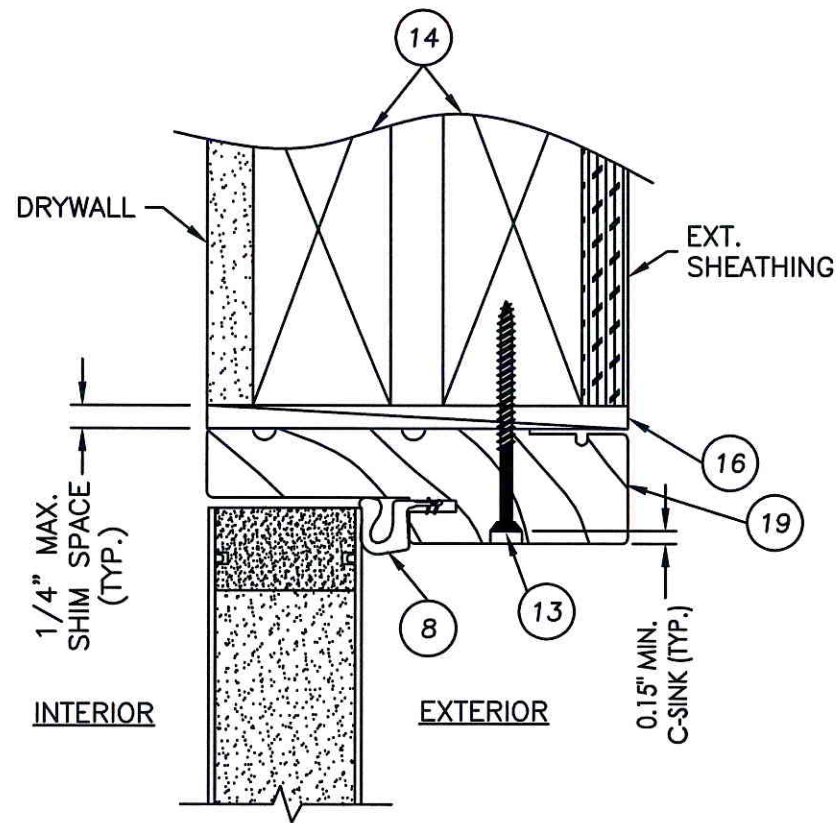
Documents Prepared By: Lyndon F. Schmidt, P.E. TEXAS P.E. #104123
 RW BUILDING CONSULTANTS, INC.
 P.O. Box 230 Vairico FL 33595
 Phone No.: 813.659.9197
 TEXAS BOARD OF PROFESSIONAL ENGINEERS
 CERTIFICATE OF REGISTRATION # F-11852

PRODUCT: THERMA-TRU GLAZED FIBERGLASS DBL DOOR W/ SIDELITES IN/OUTSWING "IMPACT"
 PART OR ASSEMBLY: HORIZONTAL CROSS SECTIONS

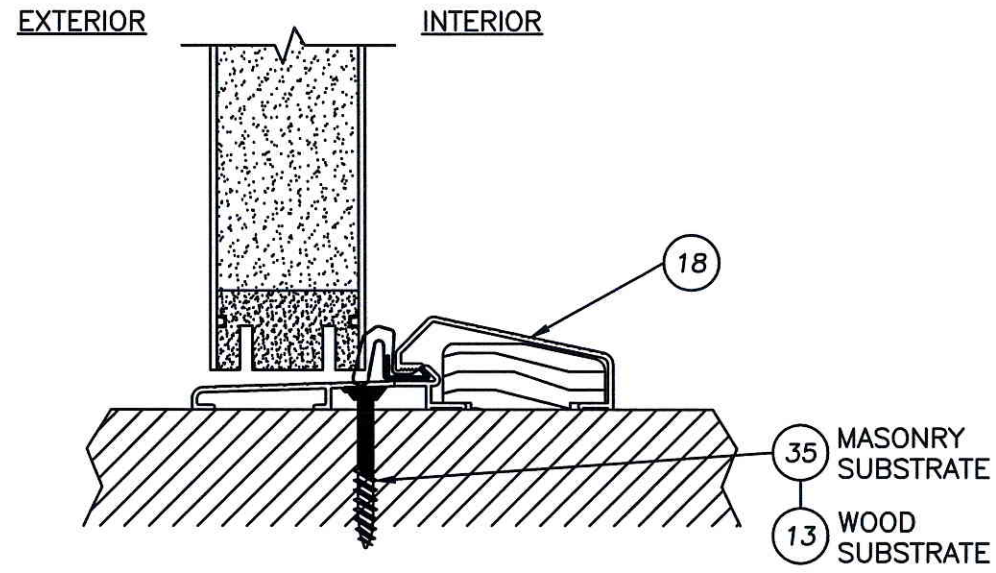
NO.	DATE	REVISIONS	BY

DATE: 7/17/12
 SCALE: N.T.S.
 DWG. BY: JK
 CHK. BY: LFS
 DRAWING NO.: TX-4199
 SHEET 5 OF 10

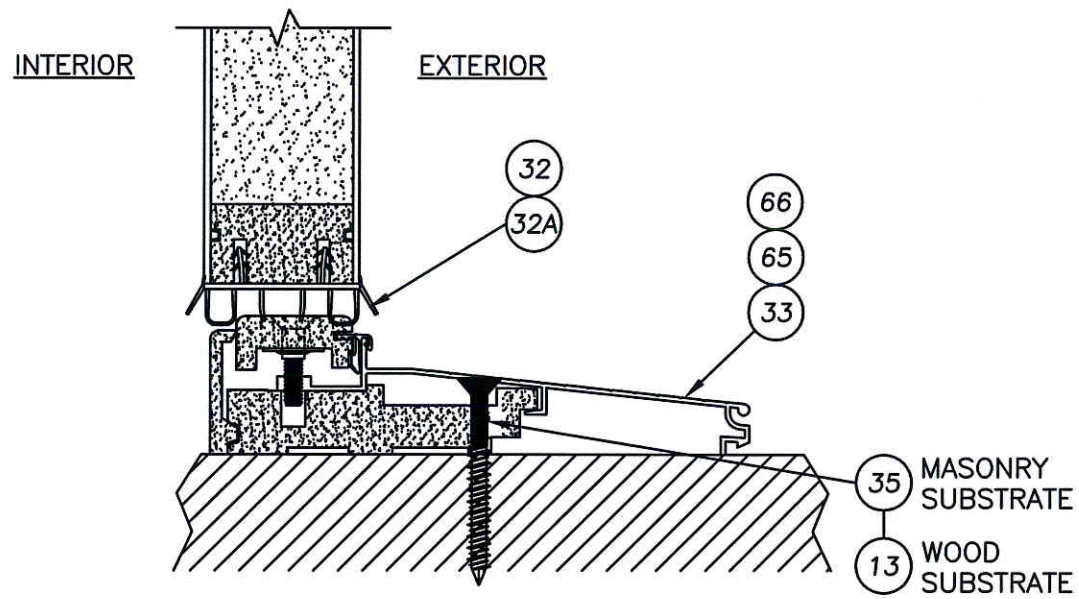
R:\A - Projects\Project Folders\Proj 1101 - 1200\pf1106\D. RWBC Drawings\TX-2012\TX-4195-99.dwg, 6.9



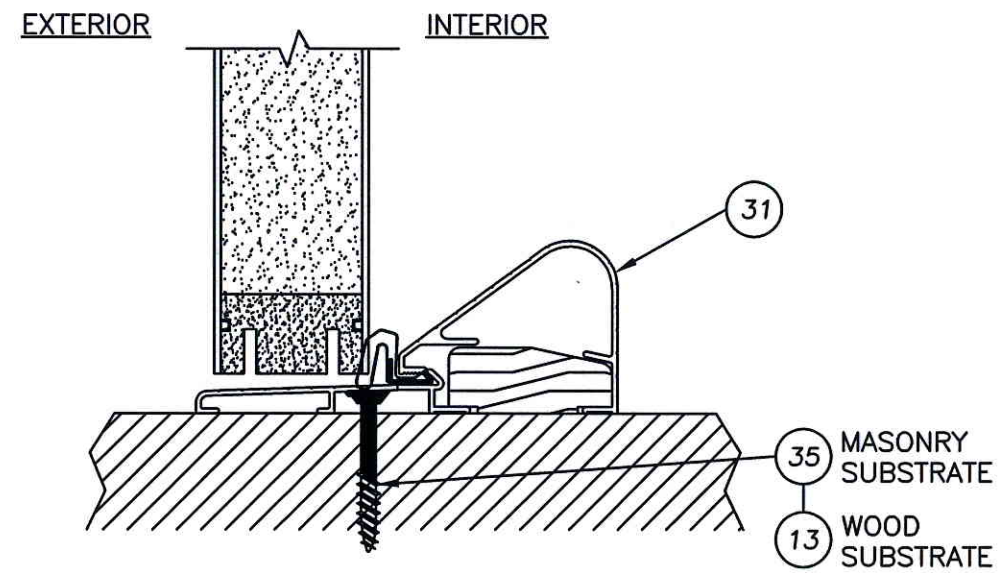
1 VERTICAL CROSS SECTION
6 INSWING SHOWN (OUTSWING ALSO APPROVED)
("SMOOTH STAR SERIES" SHOWN)



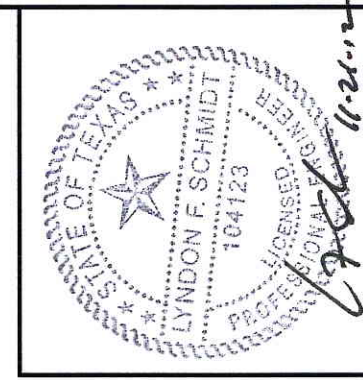
3 VERTICAL CROSS SECTION
6 OUTSWING CONFIGURATION
("SMOOTH STAR SERIES" SHOWN)



2 VERTICAL CROSS SECTION
6 INSWING CONFIGURATION
("SMOOTH STAR SERIES" SHOWN)



4 VERTICAL CROSS SECTION
6 OUTSWING CONFIGURATION
("SMOOTH STAR SERIES" SHOWN)



Documents Prepared By: Lyndon F. Schmidt, P.E.
TEXAS P.E. #104123

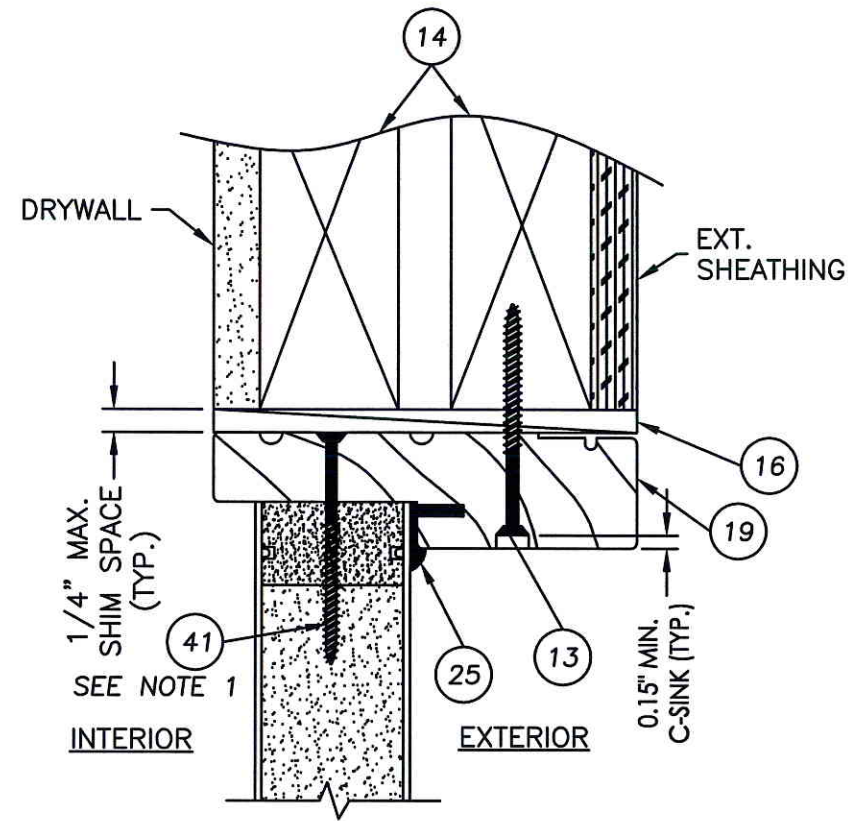
RW BUILDING CONSULTANTS, INC.
P.O. Box 230 Valrico FL 33595
Phone No.: 813.659.9197
TEXAS BOARD OF PROFESSIONAL ENGINEERS
CERTIFICATE OF REGISTRATION # F-11852

PRODUCT: THERMA-TRU
GLAZED FIBERGLASS DBL DOOR W/
SIDELITES IN/OUTSWING "IMPACT"
PART OR ASSEMBLY:
VERTICAL
CROSS SECTIONS

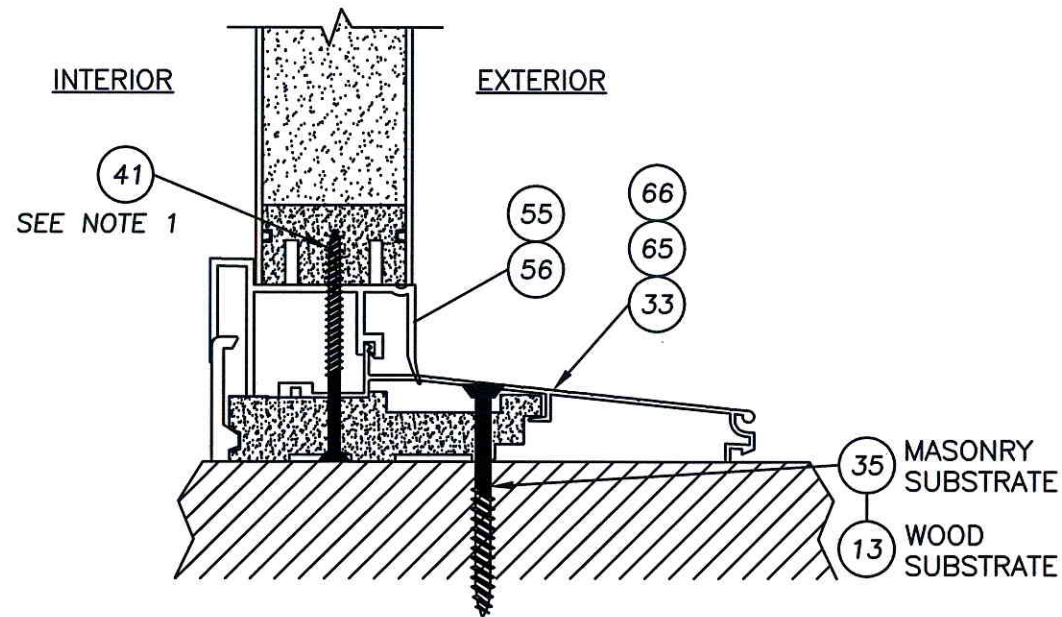
NO.	DATE	BY	REVISIONS

DATE: 7/17/12
SCALE: N.T.S.
DWG. BY: JK
CHK. BY: LFS
DRAWING NO.:
TX-4199
SHEET 6 OF 10

R:\A - Projects\Project Folders\Proj 1101 - 1200\p1106\1.D. RWBC Drawings\TX-2012\TX-4195-99.dwg, 7.9

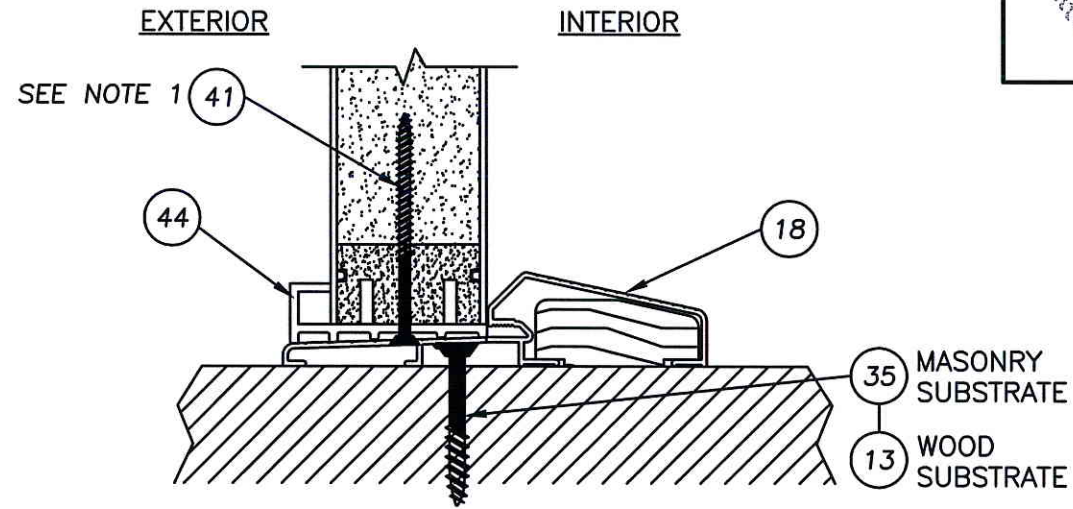


1 VERTICAL CROSS SECTION
7 INSWING SHOWN (OUTSWING ALSO APPROVED)
("SMOOTH STAR SERIES" SHOWN)

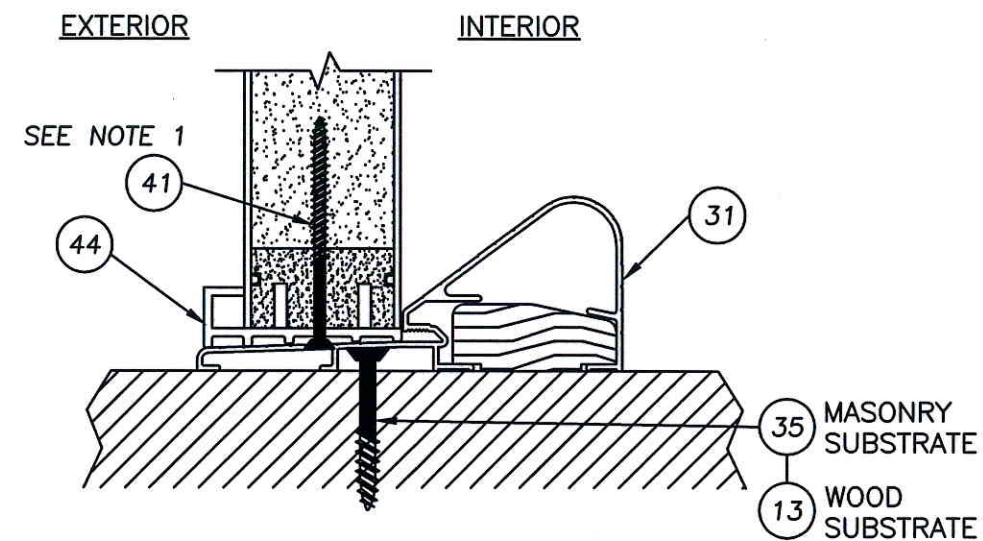


2 VERTICAL CROSS SECTION
7 INSWING CONFIGURATION
("SMOOTH STAR SERIES" SHOWN)

NOTE:
1. SIDELITE ASSEMBLY FASTENERS LOCATED
6" FROM ENDS PLUS ONE AT CENTERLINE
(3 TOTAL).



3 VERTICAL CROSS SECTION
7 OUTSWING CONFIGURATION
("SMOOTH STAR SERIES" SHOWN)



4 VERTICAL CROSS SECTION
7 OUTSWING CONFIGURATION
("SMOOTH STAR SERIES" SHOWN)



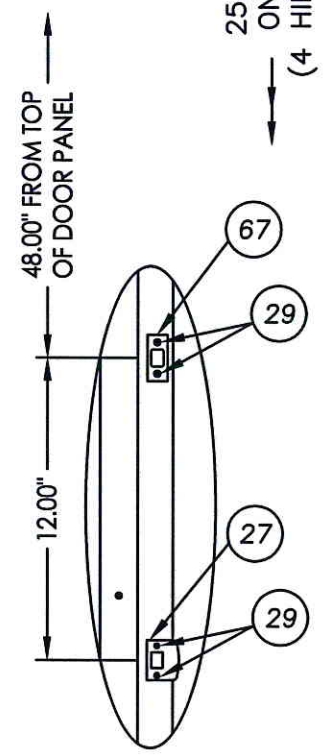
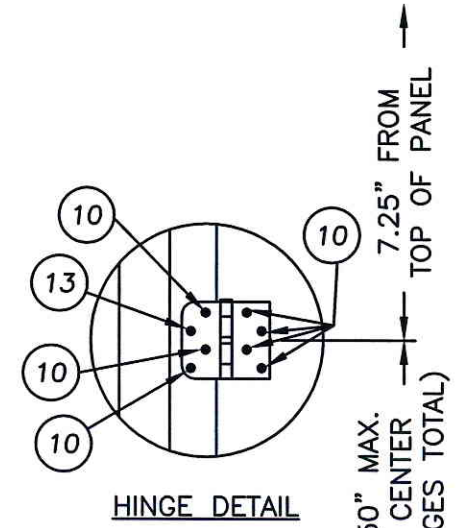
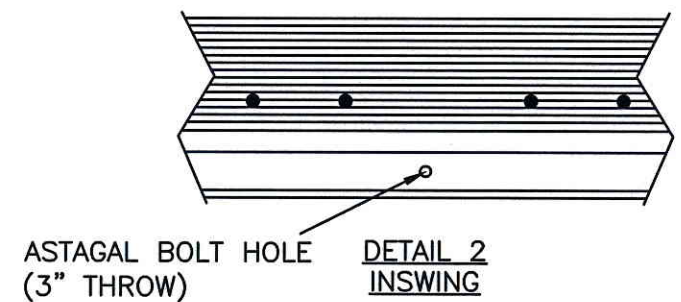
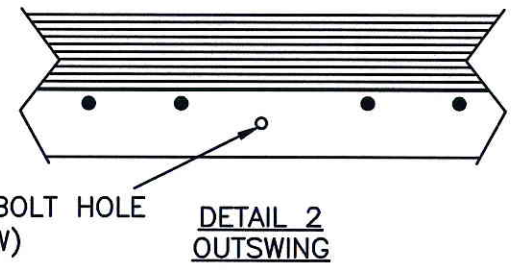
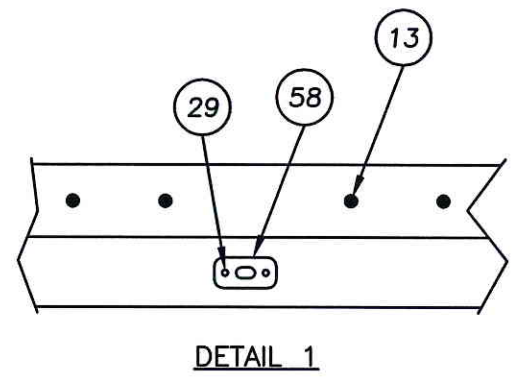
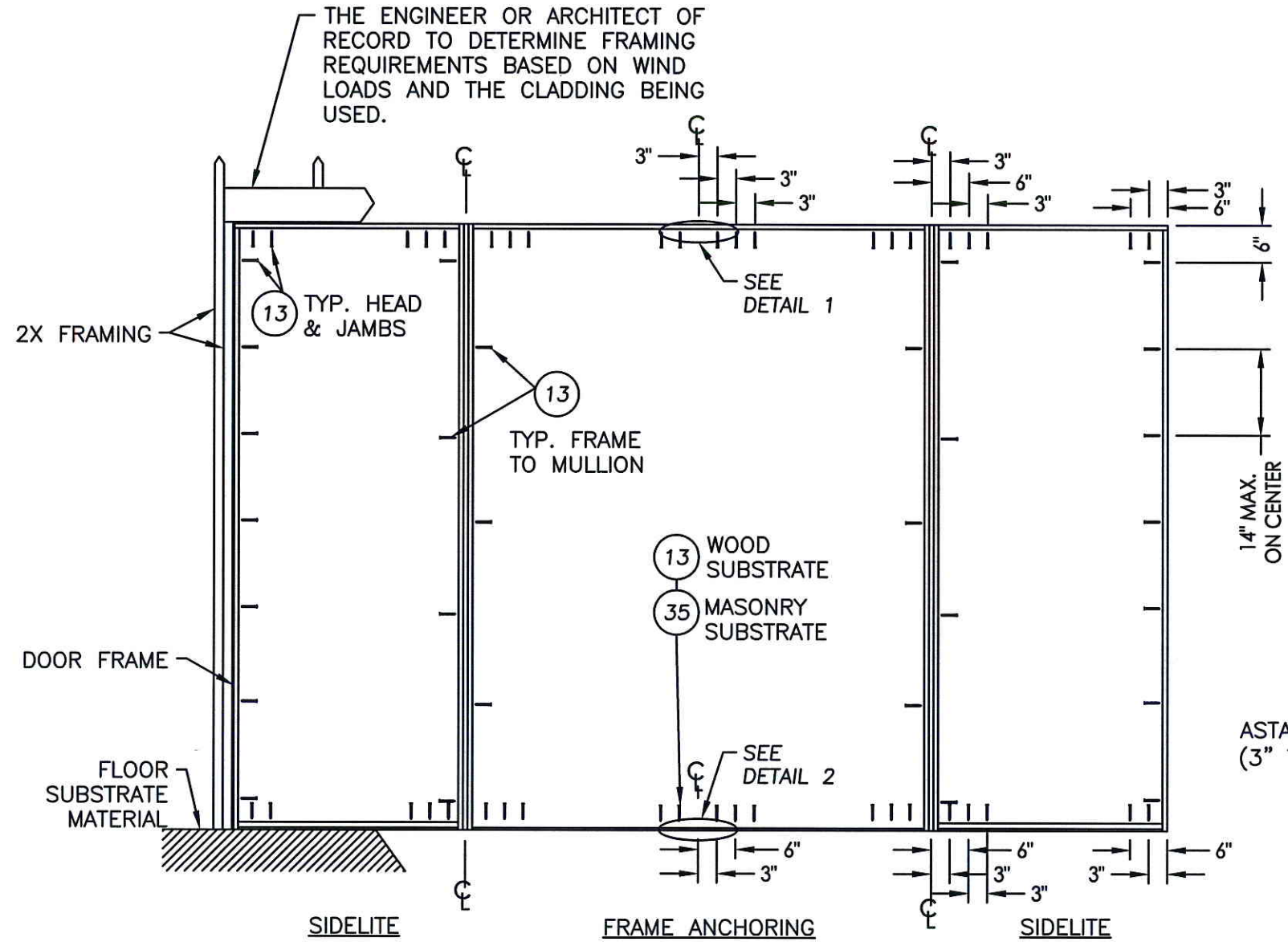
Documents Prepared By: Lyndon F. Schmidt, P.E.
TEXAS P.E. #104123
RW BUILDING CONSULTANTS, INC.
P.O. Box 230 Valrico FL 33595
Phone No.: 813.659.9197
TEXAS BOARD OF PROFESSIONAL ENGINEERS
CERTIFICATE OF REGISTRATION # F-11852

PRODUCT: THERMA-TRU
GLAZED FIBERGLASS DBL DOOR W/
SIDELITES IN/OUTSWING "IMPACT"
PART OR ASSEMBLY:
VERTICAL
CROSS SECTIONS

NO.	DATE	BY	REVISIONS

DATE: 7/17/12
SCALE: N.T.S.
DWG. BY: JK
CHK. BY: LFS
DRAWING NO.: TX-4199
SHEET 7 of 10

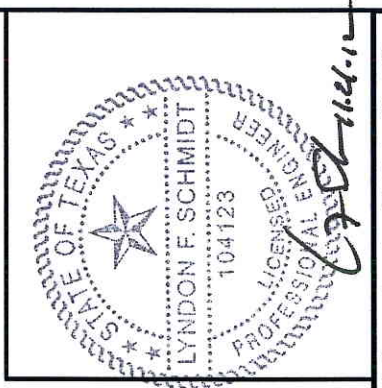
R:\A - Projects\Project Folders\Proj 1101 - 1200\pf1106\106.D. RWBC Drawings\TX-2012\TX-4195-99.dwg, 8.9



CONCRETE ANCHOR NOTES:

1. Concrete anchor locations at the corners may be adjusted to maintain the min. edge distance to mortar joints.
2. Concrete anchor locations noted as "MAX. ON CENTER" must be adjusted to maintain the min. edge distance to mortar joints, additional concrete anchors may be required to ensure the "MAX. ON CENTER" dimension are not exceeded.
3. Concrete anchor table:

ANCHOR TYPE	ANCHOR SIZE	MIN. EMBEDMENT	MIN. CLEARANCE TO MASONRY EDGE	MIN. CLEARANCE TO ADJACENT ANCHOR
ITW TAPCON®	1/4"	1-3/4"	2-1/2"	3"
ELCO ULTRACON®	1/4"	1-3/4"	1"	3"



Documents Prepared By: Lyndon F. Schmidt, P.E.
TEXAS P.E. #104123

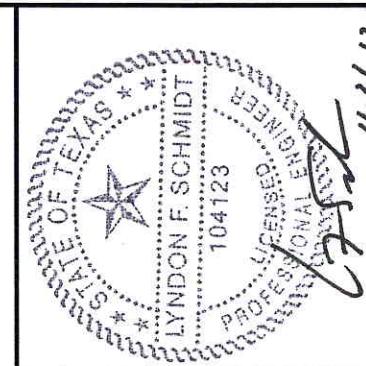
RW BUILDING CONSULTANTS, INC.
P.O. Box 230 Valrico FL 33595
Phone No.: 813.659.9197

TEXAS BOARD OF PROFESSIONAL ENGINEERS
CERTIFICATE OF REGISTRATION # F-11852

PRODUCT: THERMA-TRU
GLAZED FIBERGLASS DBL DOOR W/
SIDELITES IN/OUTSWING "IMPACT"
PART OR ASSEMBLY: FRAME ANCHORING

NO.	DATE	BY	REVISIONS

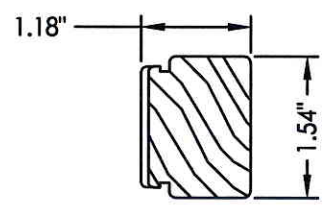
DATE: 7/17/12
SCALE: N.T.S.
DWG. BY: JK
CHK. BY: LFS
DRAWING NO.: TX-4199
SHEET 8 OF 10



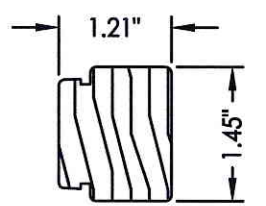
Documents Prepared By: Lyndon F. Schmidt, P.E.
 TEXAS P.E. #104123

RW BUILDING CONSULTANTS, INC.
 P.O. Box 230 Valrico FL 33595
 Phone No.: 813.659.9197

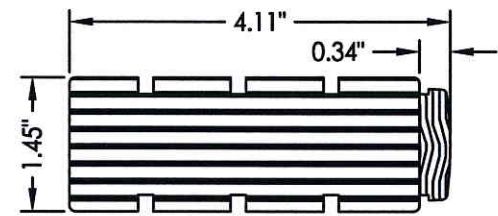
TEXAS BOARD OF PROFESSIONAL ENGINEERS
 CERTIFICATE OF REGISTRATION # F-11852



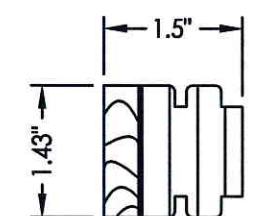
4 HINGE STILE / DOOR STILE / SIDELITE (SMOOTH STAR)



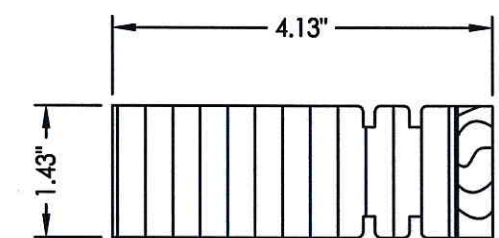
52 HINGE STILE (FIBER CLASSIC)



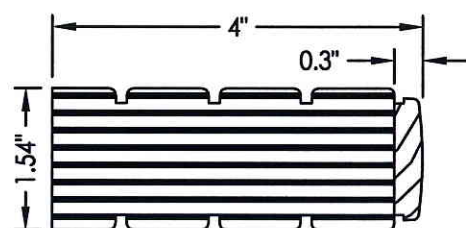
54 LOCK STILE (FIBER CLASSIC)



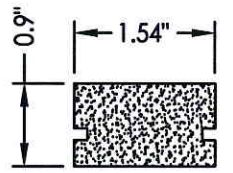
49 HINGE STILE (CLASSIC CRAFT & RUSTIC)



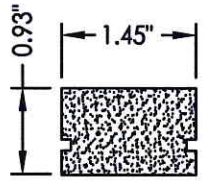
48 LATCH STILE (CLASSIC CRAFT & RUSTIC)



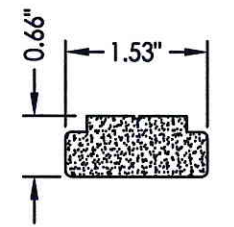
3 LATCH STILE (SMOOTH STAR)



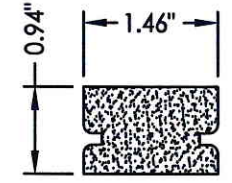
2 DOOR TOP RAIL DOOR / SIDELITE (SMOOTH STAR)



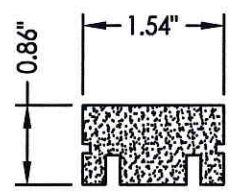
50 DOOR TOP RAIL (FIBER CLASSIC)



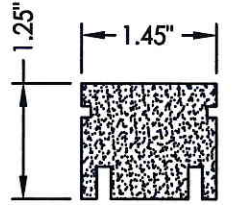
59 SIDELITE TOP & BOTTOM RAIL (CLASSIC CRAFT & RUSTIC) (FIBER CLASSIC)



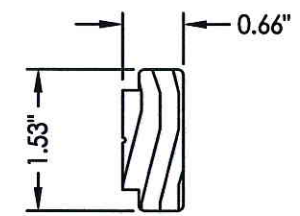
46 DOOR TOP RAIL (CLASSIC CRAFT & RUSTIC)



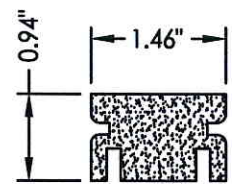
5 BOTTOM RAIL DOOR / SIDELITE (SMOOTH STAR)



51 DOOR BOTTOM RAIL (FIBER CLASSIC)



61 SIDELITE STILE (CLASSIC CRAFT & RUSTIC) (FIBER CLASSIC)



47 DOOR BOTTOM RAIL (CLASSIC CRAFT & RUSTIC)

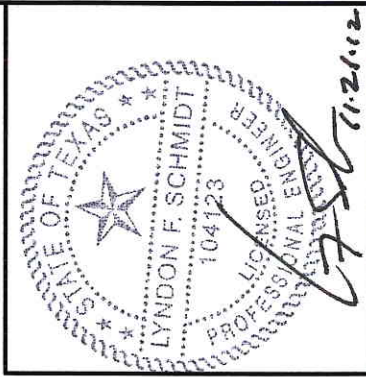
PRODUCT: THERMA-TRU DOOR W/ GLAZED FIBERGLASS DBL SIDELITES IN/OUTSWING IMPACT PART OR ASSEMBLY: COMPONENTS

REVISIONS	
NO.	DATE

DATE: 7/17/12
 SCALE: N.T.S.
 DWG. BY: JK
 CHK. BY: LFS
 DRAWING NO.: TX-4199
 SHEET 9 OF 10

R:\A - Projects\Project Folders\Proj 1101 - 1200\p1106.D. RWBC Drawings\TX-2012\TX-4195-99.dwg, 10.9

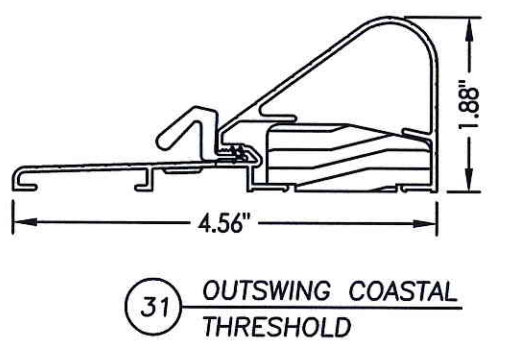
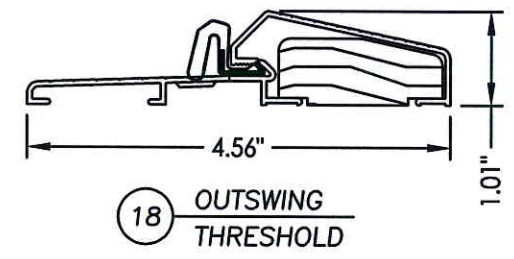
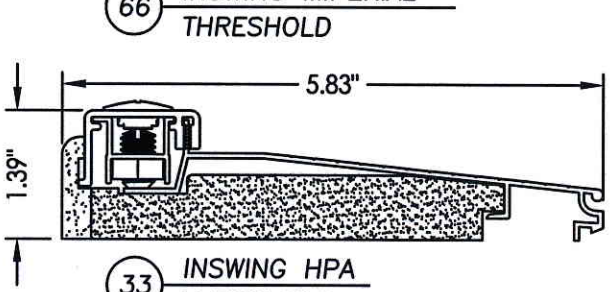
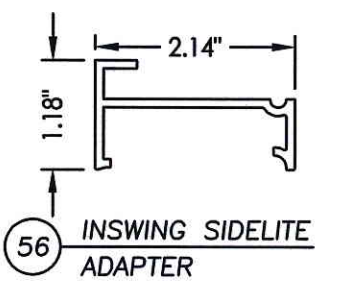
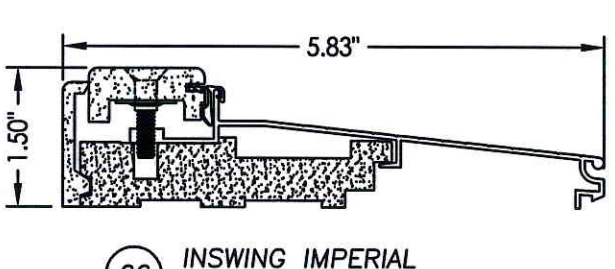
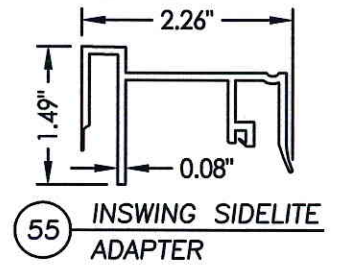
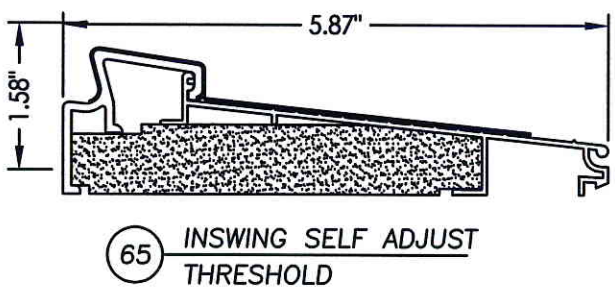
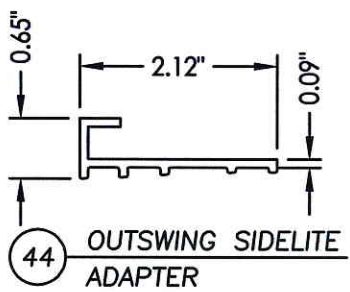
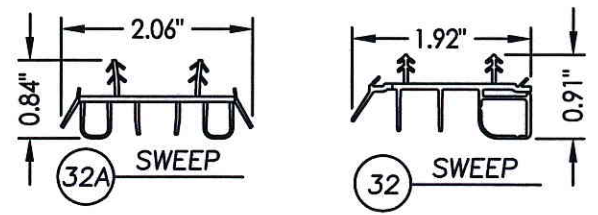
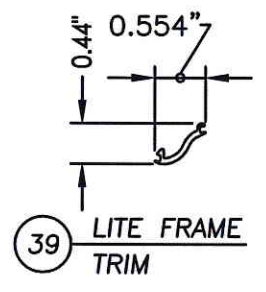
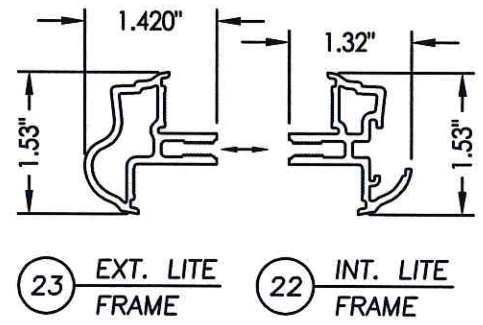
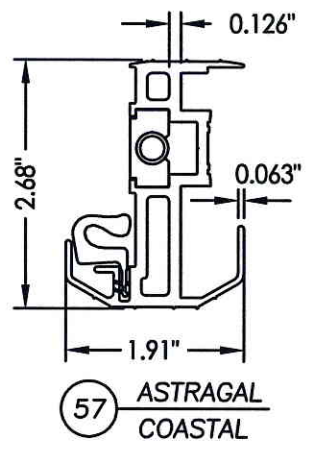
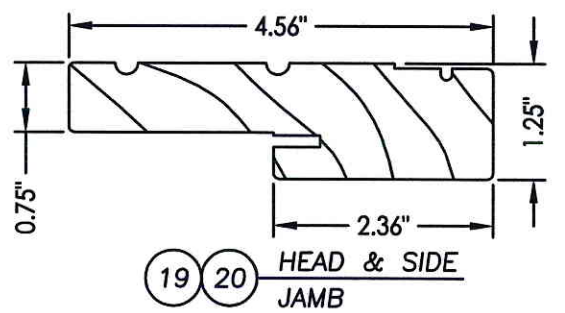
Item	DESCRIPTION	Material
1	DOOR SKIN; SMOOTH STAR SERIES (.075" MIN.)	FIBERGLASS
1A	DOOR SKIN; CLASSIC CRAFT & RUSTIC SERIES (.090" MIN.)	FIBERGLASS
1B	DOOR SKIN; FIBER CLASSIC SERIES (.065" MIN.)	FIBERGLASS
2	TOP RAIL DOOR THERMA-TRU (SMOOTH STAR)	COMP.
3	LATCH STILE DOOR THERMA-TRU (SMOOTH STAR)	LVL
4	HINGE STILE / DOOR, STILE / SIDELITE THERMA-TRU (SMOOTH STAR)	WOOD
5	BOTTOM RAIL DOOR THERMA-TRU (SMOOTH STAR)	COMP.
6	POLYURETHANE FOAM (1.9lbs. DENSITY)	FOAM
7	MEDIUM REACH COMPRESSION WEATHER-STRIP (THERMA-TRU)	FOAM
8	LONG REACH COMPRESSION WEATHER-STRIP (THERMA-TRU)	FOAM
9	4" x 4" HINGE .097" THK. (THERMA-TRU)	STEEL
10	#10 x 3/4" PFH WOOD SCREW (Hinge to Frame)	STEEL
11	#10 x 1-1/2" PFH SHEET METAL SCREW	STEEL
12	#10 x 2" PFH WOOD SCREW	STEEL
13	#10 x 2-1/2" PFH WOOD SCREW	STEEL
14	2X FRAMING (G >= 0.42)	WOOD
16	MAX. 1/4" SHIM MATERIAL	WOOD
17	LOCK - KWIKSET 200 SERIES	STEEL
18	THRESHOLD OUTSWING (THERMA-TRU)	ALUM./WOOD
19	HEADER JAMB (4.656" x 1.25" THERMA-TRU, PINE)	WOOD
20	SIDE JAMB (4.656" x 1.25" THERMA-TRU) (FJ PINE)	WOOD
21	DEADBOLT - KWIKSET 780 SERIES	STEEL
22	INTERIOR LITE FRAME	ALUM.
23	EXTERIOR LITE FRAME	ALUM.
24	LOCK BLOCK (SMOOTH STAR)	WOOD
25	SILICONE CAULK	SILICONE
26	CELLULAR GLAZING TAPE	FOAM
27	LATCH STRIKE	STEEL
28	#8 x 2-1/2" PFH WOOD SCREW	STEEL
29	#8 x 3" PFH SCREW	STEEL
30	1" THK. INSUL. LAMINATED GLASS (INTERLAYER BY SOLUTIA) 1/8" TEMP.- AIR - 5/32" ANN. / .090" INTERLAYER / 1/8" ANN.	GLASS
31	OUTSWING THRESHOLD COASTAL	ALUM./WOOD
32	DOOR BOTTOM SWEEP (INSWING)	PVC
32A	DOOR BOTTOM SWEEP (INSWING)	PVC
33	INSWING THRESHOLD HPA	ALUM./COMP.
35	1/4" ELCO OR ITW CONCRETE SCREW (1-3/4" MIN. EMB.)	STEEL
39	LITE FRAME TRIM	PVC
40	#9 x 3" PFH WOOD SCREW	STEEL
41	#9 x 2-1/2" PFH SCREW	STEEL
44	OUTSWING SIDELITE ADAPTER	PVC
46	TOP RAIL (CLASSIC CRAFT & RUSTIC)	COMP.
47	BOTTOM RAIL (CLASSIC CRAFT & RUSTIC)	COMP.
48	LATCH SIDE STILE (CLASSIC CRAFT & RUSTIC)	LSL / OAK
49	HINGE SIDE STILE (CLASSIC CRAFT & RUSTIC)	LSL / OAK
50	TOP RAIL (FIBER CLASSIC)	COMP.
51	BOTTOM RAIL (FIBER CLASSIC)	COMP.
52	HINGE SIDE STILE (FIBER CLASSIC)	WOOD
54	LATCH SIDE STILE (FIBER CLASSIC)	LVL / OAK
55	INSWING SIDELITE SPACER	PVC
56	INSWING SIDELITE SPACER	PVC
57	ASTRAGAL (6063-T5) COASTAL	ALUM.
58	ASTRAGAL STRIKE PLATE	STEEL
59	SIDELITE TOP & BOTTOM RAIL (CLASSIC CRAFT, RUSTIC & FIBER CLASSIC)	COMP.
61	SIDELITE STILE (CLASSIC CRAFT, RUSTIC & FIBER CLASSIC)	WOOD
65	INSWING THRESHOLD SELF ADJUSTING	ALUM./COMP.
66	INSWING THRESHOLD IMPERIAL	ALUM./COMP.
67	DEAD BOLT STRIKE PLATE	STEEL
69	1X MULLION (G >= 0.42)	WOOD



Documents Prepared By: Lyndon F. Schmidt, P.E.
TEXAS P.E. #104123

RW BUILDING CONSULTANTS, INC.
P.O. Box 230 Valrico FL 33595
Phone No.: 813.659.9197

TEXAS BOARD OF PROFESSIONAL ENGINEERS
CERTIFICATE OF REGISTRATION # F-11852



PRODUCT: THERMA-TRU DBL DOOR W/
GLAZED FIBERGLASS IN/OUTSWING
SIDELITES IN/OUTSWING "IMPACT"
PART OR ASSEMBLY: BILL OF MATERIAL &
COMPONENTS

NO.	DATE	BY	REVISIONS

DATE: 7/17/12
SCALE: N.T.S.
DWG. BY: JK
CHK. BY: LFS
DRAWING NO.: TX-4199
SHEET 10 OF 10

© 2012 R.W. BUILDING CONSULTANTS INC.