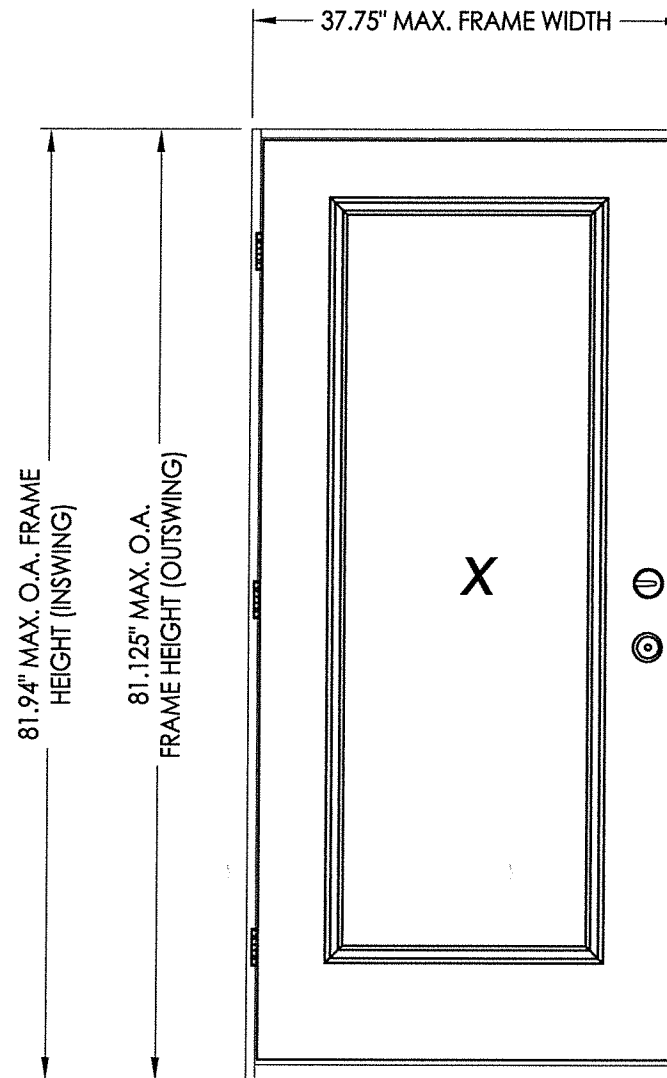




Glazed Steel Door

"NON-IMPACT"

INSWING / OUTSWING



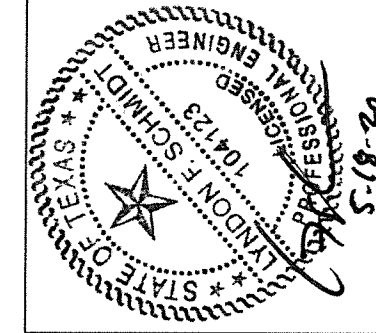
EVALUATED FOR USE IN THE STATE OF TEXAS

The Glazed Steel Door system described herein complies with the 2018 International Residential Code (IRC), Sections R301 & R609 and the 2018 International Building Code (IBC), Sections 1404.13, 1609, 1709.5, 2403 and 2404 subject to the following conditions:

1. Anchors shall be as listed and spaced as shown in the details. Anchor embedment to base material shall be beyond wall dressing or stucco.
2. When used in areas requiring wind-borne debris protection this product is required to be protected with an impact resistant covering that complies with Section R301.2.1.2 of the IRC and Section 1609.2 of the IBC.
3. Allowable design pressure requirements must be equal to or less than the design pressure rating shown in the design pressure chart, sheet 1 of this drawing.
4. Conditions not covered by this drawing are subject to further engineering analysis.

TABLE OF CONTENTS	
SHEET#	DESCRIPTION
1	Typical elevations, design pressures & general notes
2	Door panel details (lip lite insert glazing)
3	Horizontal & vertical cross sections
4	Vertical cross sections
5	Frame anchoring

CONFIG.	MODEL	DESIGN PRESSURE (PSF)	
		POSITIVE	NEGATIVE
X	INSWING	+35.0	-40.0
	OUTSWING	+40.0	-40.0



Documents Prepared By: Lyndon F. Schmidt, P.E.
TEXAS P.E. #104123

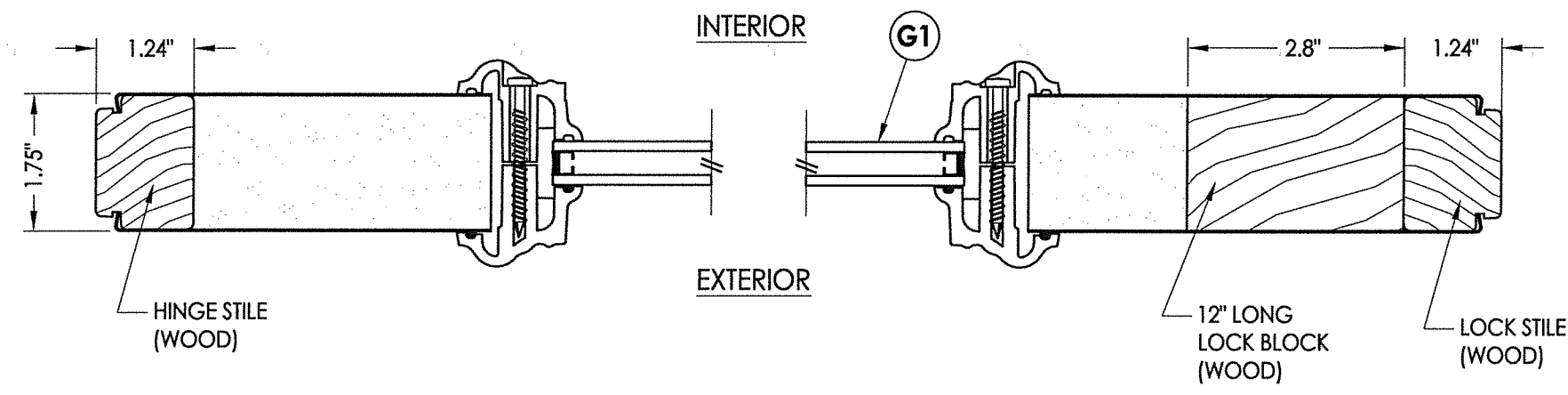
RW BUILDING CONSULTANTS, INC.
P.O. Box 230 Valrico FL, 33595
Phone No.: 813.659.9197
TEXAS BOARD OF PROFESSIONAL ENGINEERS
CERTIFICATE OF REGISTRATION # F-11852

PRODUCT: ENDURA
PART OR ASSEMBLY: TYPICAL ELEVATION, DESIGN PRESSURES & GENERAL NOTES

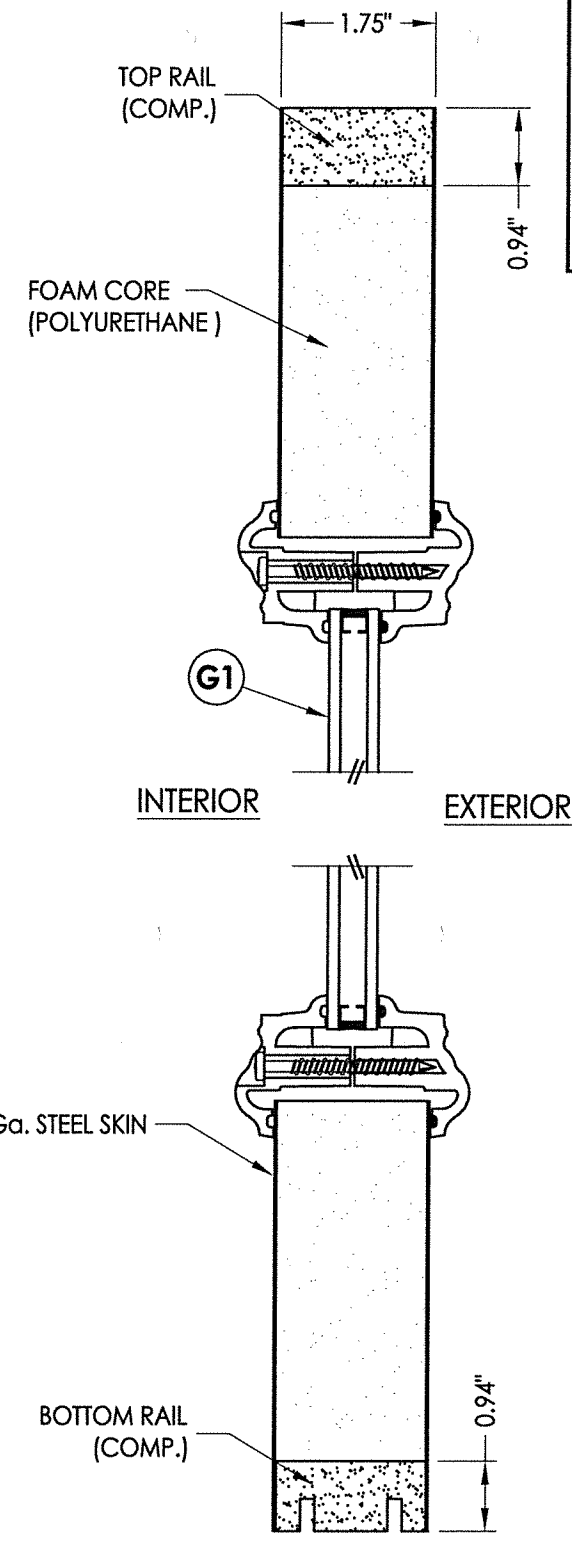
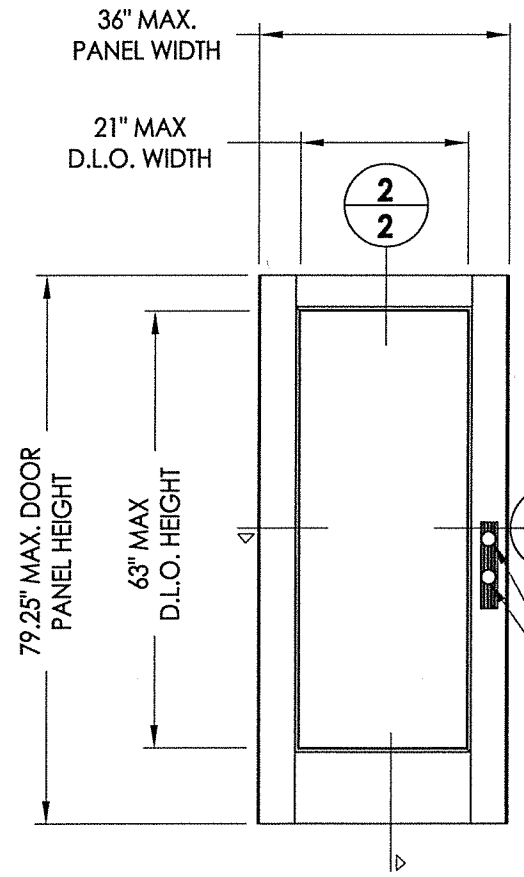
NO.	DATE	REVISIONS
2	12/19/19	ADD "FusionFrame" OPTION & UPDATE TO 2018 IBC/IRC CODE
1	9/05/18	ADDED ADDITIONAL THRESHOLDS

DATE: 12/10/13
SCALE: N.T.S.
DWG. BY: JK
CHK. BY: LFS
DRAWING NO.: TX-4421
SHEET 1 OF 5

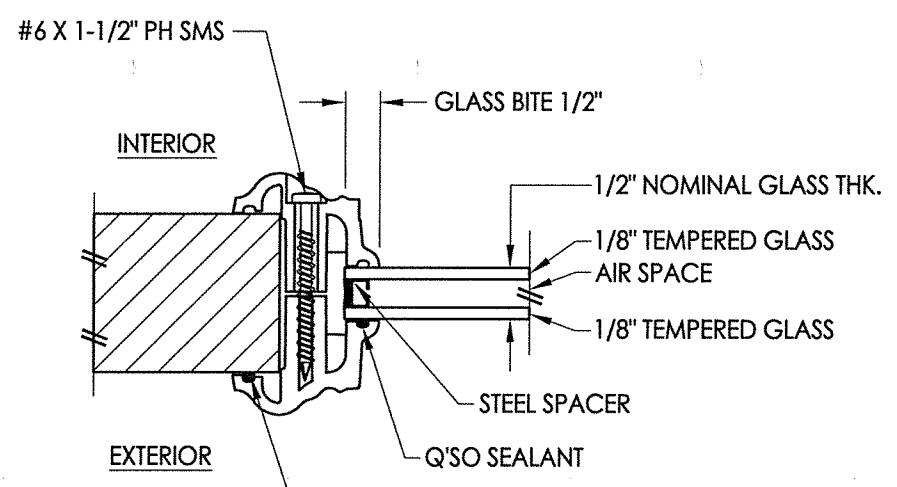
R:\Clients\Endura PERMANENT\B - Texas Dept of Ins\TDI - DR-586 Therma-Tru Steel\Drawings\REV 2018 IBC\TX-4421-22.dwg, 2.7



1 HORIZONTAL CROSS SECTION



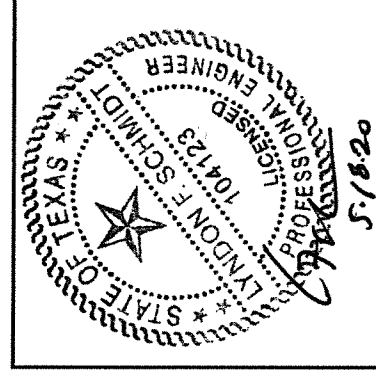
2 VERTICAL CROSS SECTION



G1 GLAZING DETAIL
Lip Lite Insert Glazing

THERMA-TRU
Insert glazed
(steel)

HARDWARE TABLE	
MANUFACTURER	MODEL
KWIKSET	LATCH: SIGNATURE SERIES (991) DEADBOLT: SIGNATURE SERIES (980/985)



Documents Prepared By: Lyndon F. Schmidt, P.E.
TEXAS P.E. #104123

RW BUILDING CONSULTANTS, INC.
P.O. Box 230 Valrico FL, 33585
Phone No.: 813.659.9197

TEXAS BOARD OF PROFESSIONAL ENGINEERS
CERTIFICATE OF REGISTRATION # F-11852

PRODUCT: ENDURA

PART OR ASSEMBLY: DOOR PANEL DETAILS (LIP LITE INSERT GLAZING)

NO.	DATE	BY	REVISIONS
2	12/19/19	LFS	ADD "FusionFrame" OPTION & UPDATE TO 2018 IBC/IRC CODE
1	9/05/18	LFS	ADDED ADDITIONAL THRESHOLDS

DATE: 12/10/13

SCALE: N.T.S.

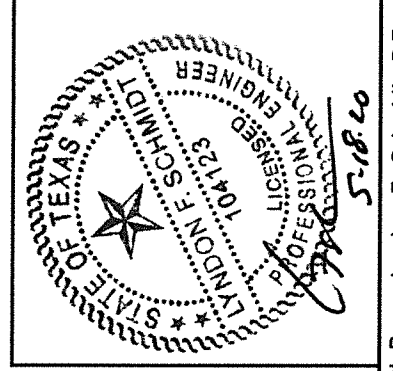
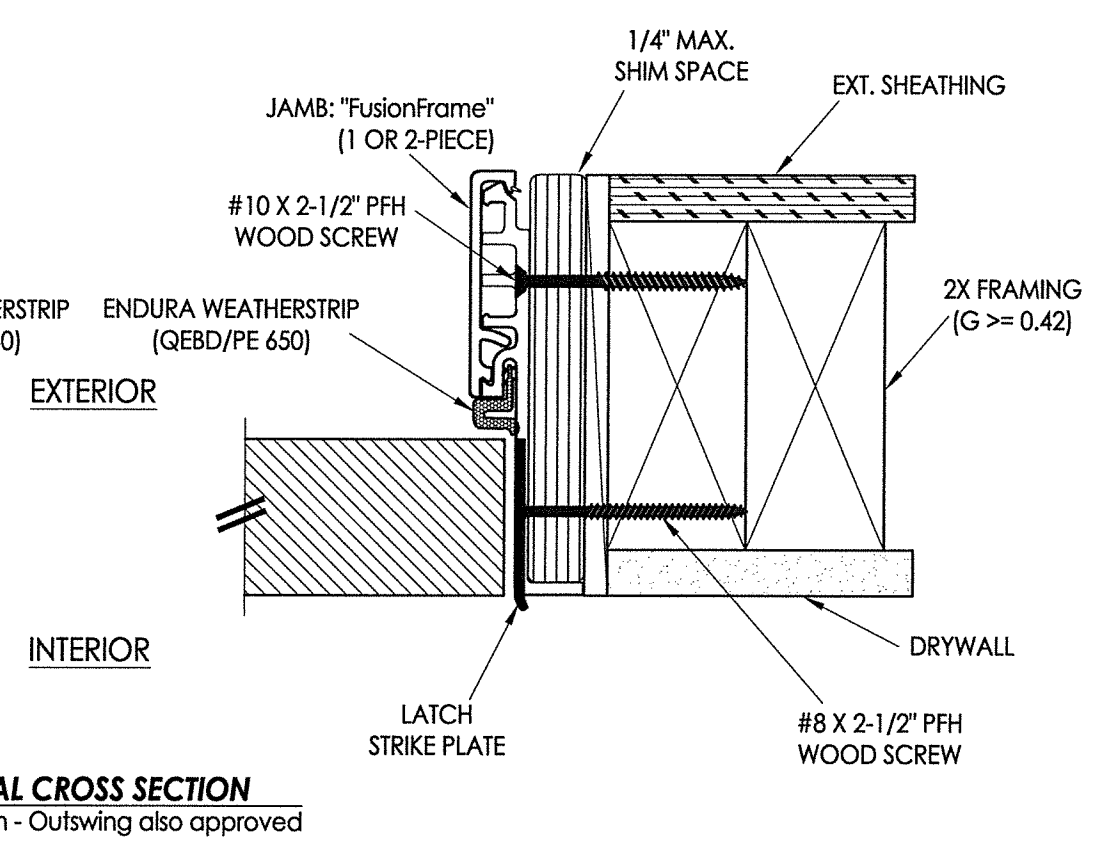
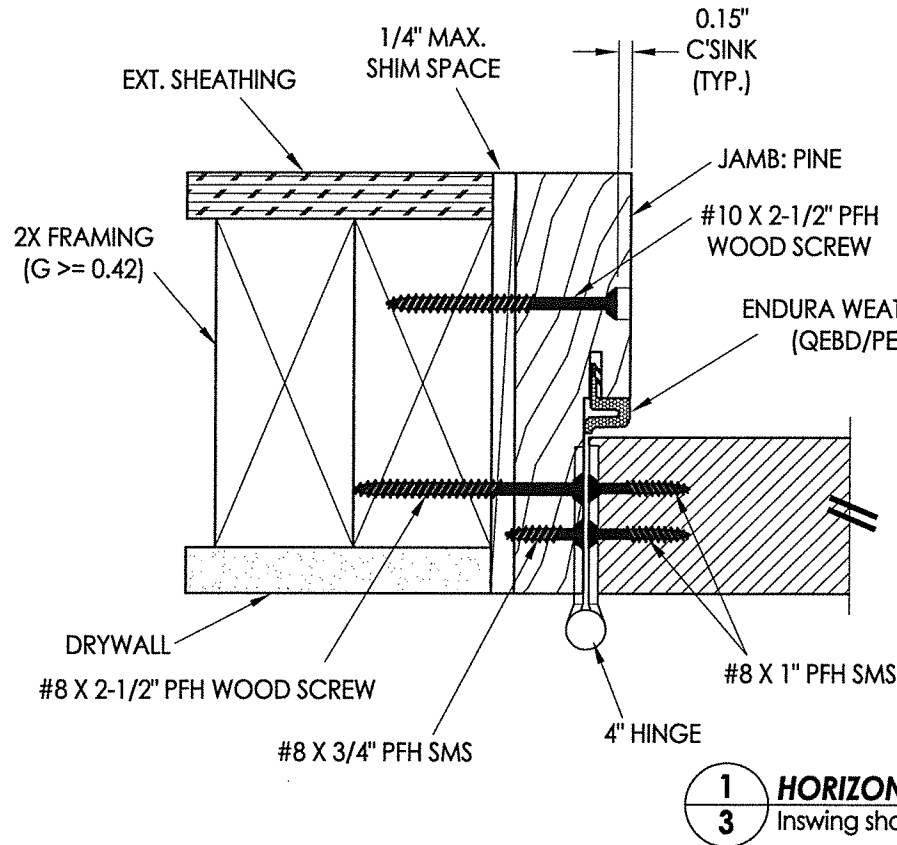
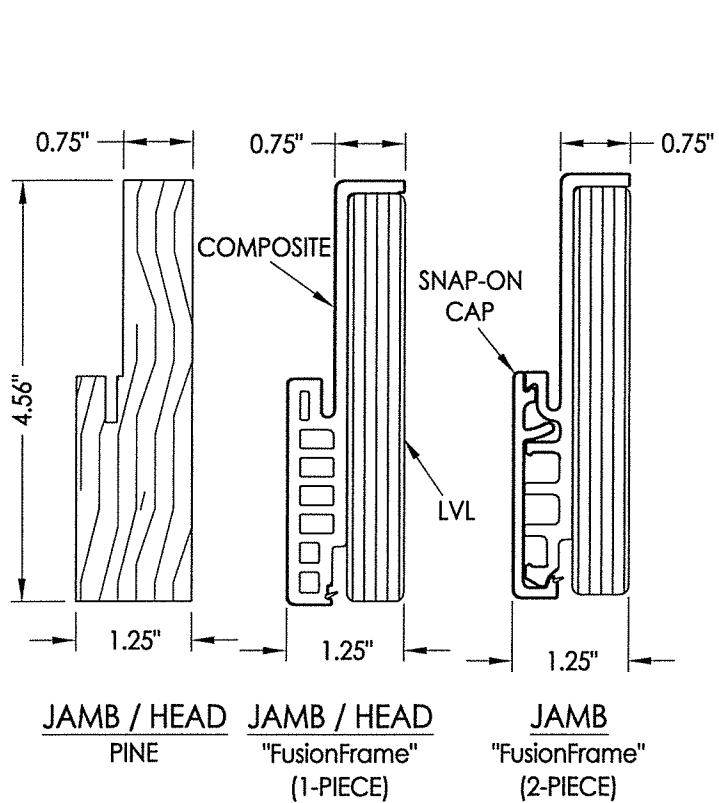
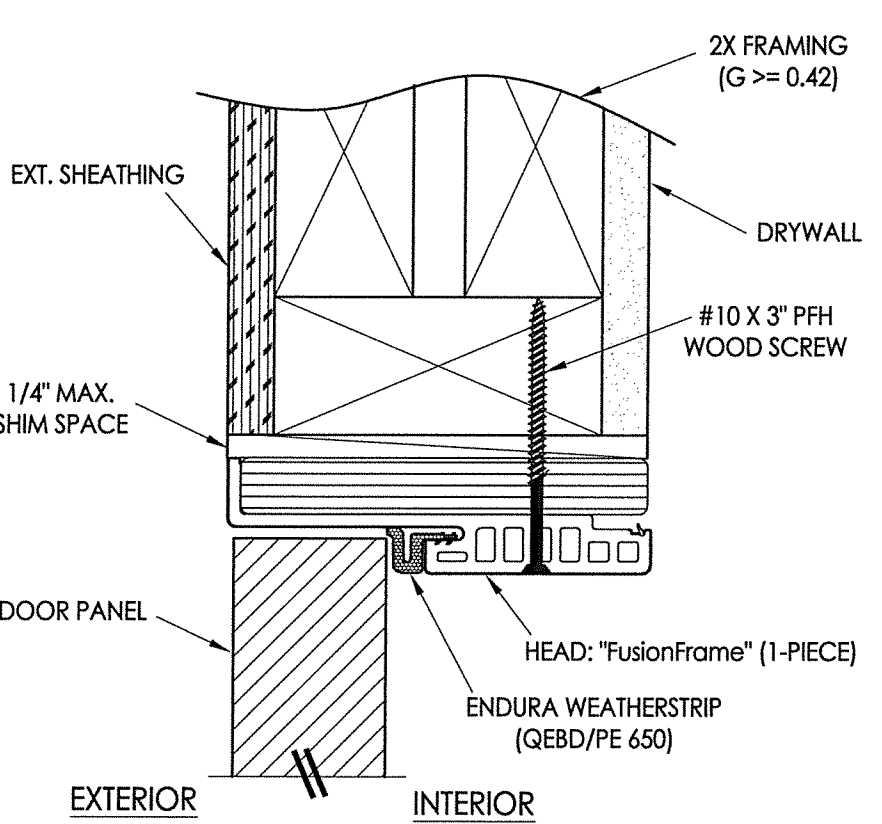
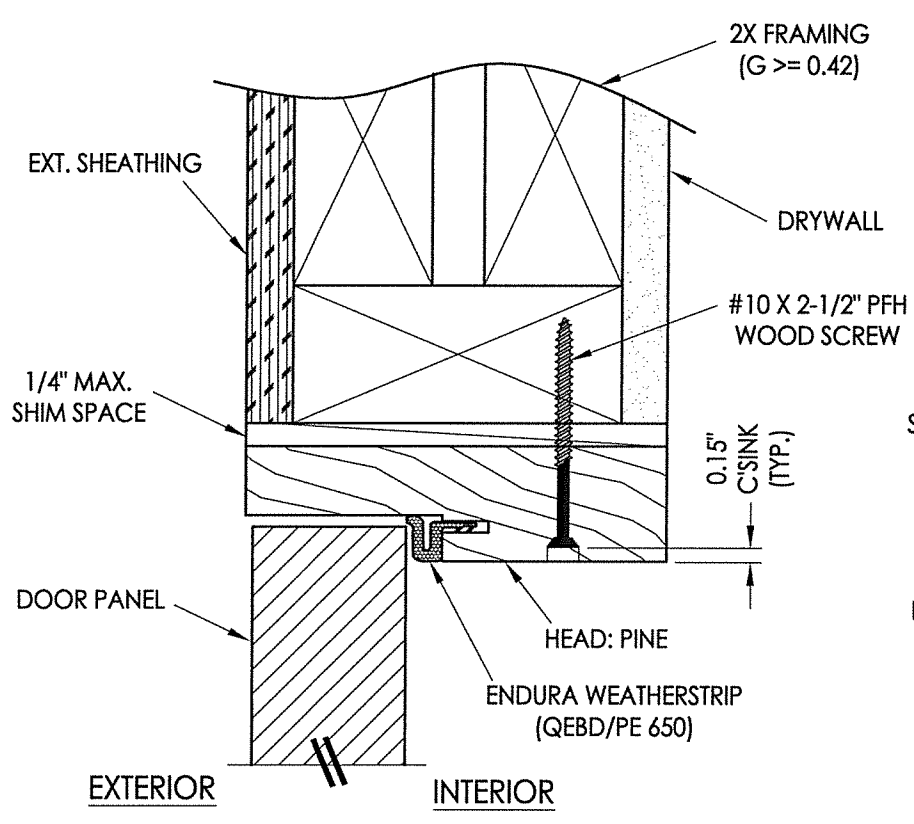
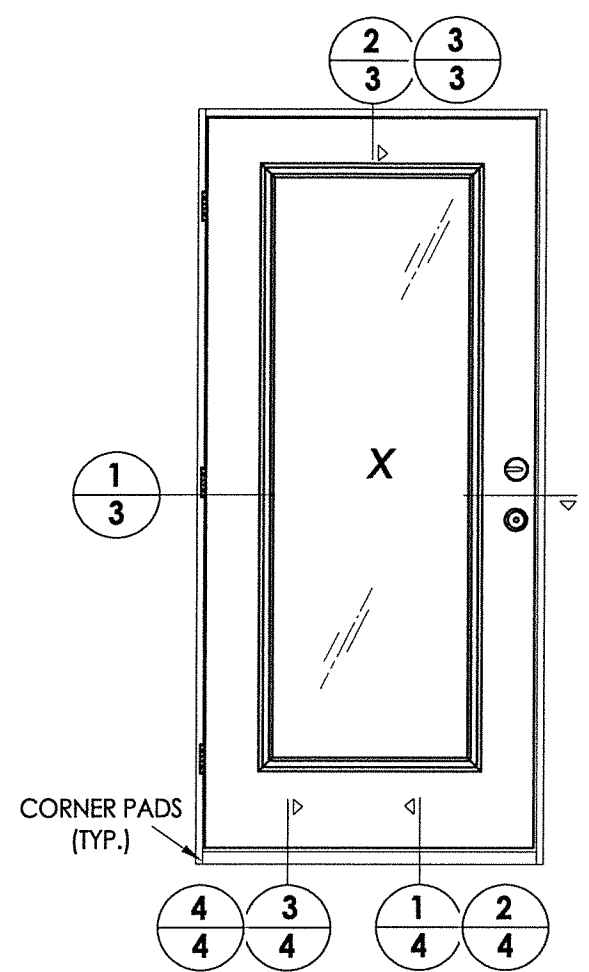
DWG. BY: JK

CHK. BY: LFS

DRAWING NO.: TX-4421

SHEET 2 OF 5

R:\Clients\Endura PERMANENT\B - Texas Dept of Ins\TDI - DR-586 Therma-Tru Steel\Drawings\REV 2018 IBC\TX-4421-22.dwg, 3.7



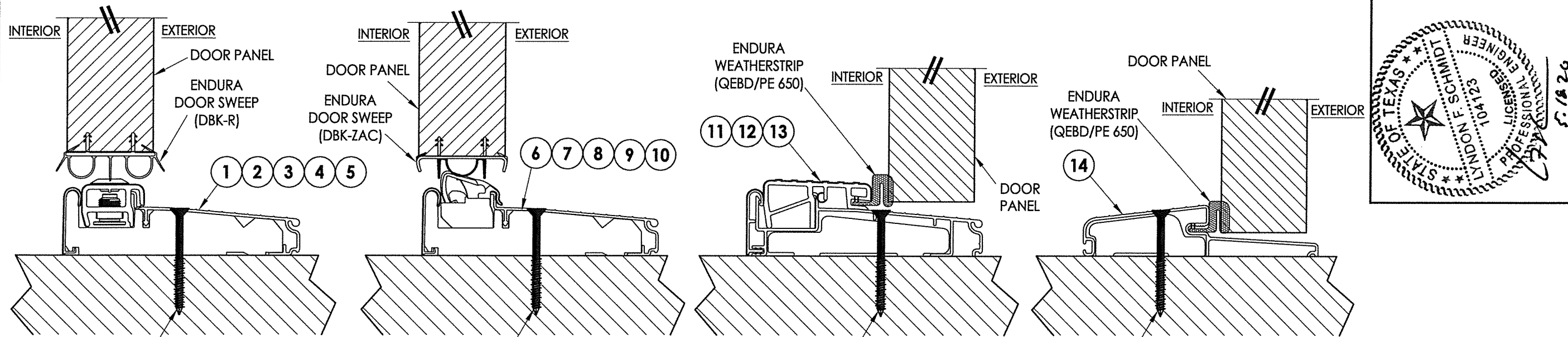
Documents Prepared By: Lyndon F. Schmidt, P.E. TEXAS P.E. #104123
RW BUILDING CONSULTANTS, INC.
 P.O. Box 230 Valrico FL 33595
 Phone No.: 813.659.9197
 TEXAS BOARD OF PROFESSIONAL ENGINEERS
 CERTIFICATE OF REGISTRATION # F-11852

PRODUCT: ENDURA
 PART OR ASSEMBLY: HORIZONTAL & VERTICAL CROSS SECTIONS

NO.	DATE	BY	REVISIONS
2	12/19/19	LFS	ADD "FusionFrame" OPTION & UPDATE TO 2018 IBC/IRC CODE
1	9/05/18	LFS	ADDED ADDITIONAL THRESHOLDS

DATE: 12/10/13
 SCALE: N.T.S.
 DWG. BY: JK
 CHK. BY: LFS
 DRAWING NO.: TX-4421
 SHEET 3 OF 5

R:\Clients\Endura PERMANENT\B - Texas Dept of Ins\TDI - DR-586 Therma-Tru Steel\Drawings\REV 2018 IBC\TX-4421-22.dwg, 4.7



#10 X 2.5" PFH WOOD SCREW OR
1/4" X 2-3/4" ELCO OR ITW CONCRETE SCREW

#10 X 2.5" PFH WOOD SCREW OR
1/4" X 2-3/4" ELCO OR ITW CONCRETE SCREW

#10 X 2.5" PFH WOOD SCREW OR
1/4" X 2-3/4" ELCO OR ITW CONCRETE SCREW

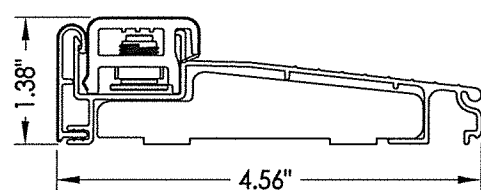
#10 X 2.5" PFH WOOD SCREW OR
1/4" X 2-3/4" ELCO OR ITW CONCRETE SCREW

1 VERTICAL CROSS SECTION
4 Inswing Adjustable Threshold

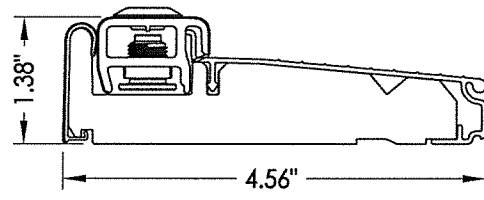
2 VERTICAL CROSS SECTION
4 Inswing Articulating Threshold

3 VERTICAL CROSS SECTION
4 Outswing Bump Threshold

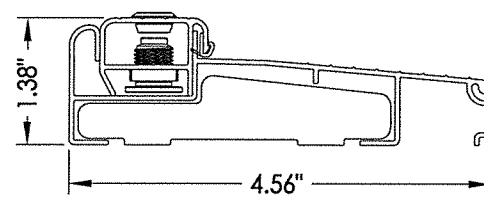
4 VERTICAL CROSS SECTION
4 Outswing Bump Threshold



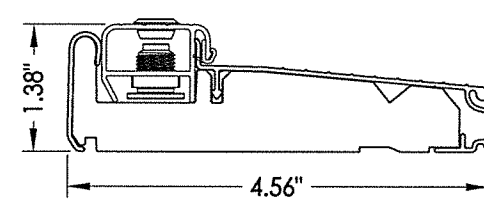
1 INSWING ADJUSTABLE THRESHOLD
ZAIL4565



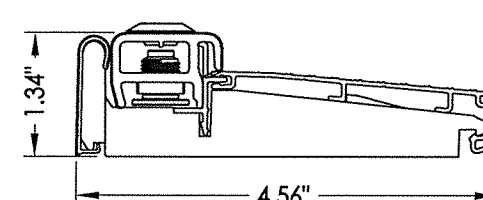
2 INSWING ADJUSTABLE THRESHOLD
ZAI4565FN



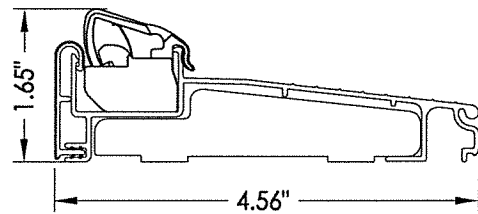
3 INSWING ADJUSTABLE THRESHOLD
ZAILAA4565



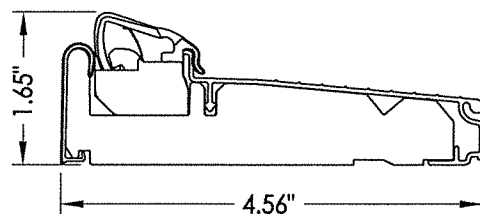
4 INSWING ADJUSTABLE THRESHOLD
ZAIAA4565FN



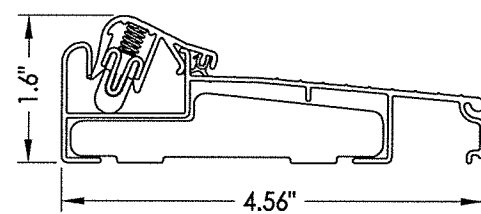
5 INSWING ADJUSTABLE THRESHOLD
ZAI4565RDS



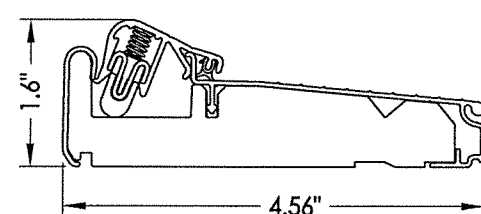
6 INSWING ARTICULATING THRESHOLD
ZACLA4565



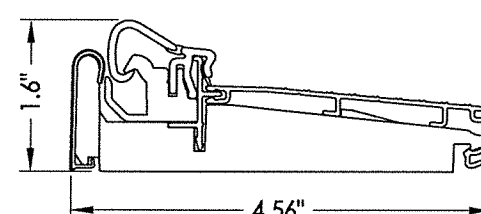
7 INSWING ARTICULATING THRESHOLD
ZAC4565FN



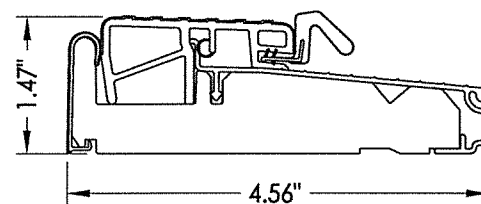
8 INSWING ARTICULATING THRESHOLD
ZACLAA4565



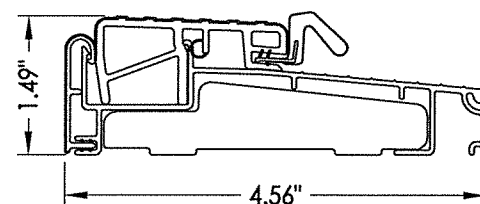
9 INSWING ARTICULATING THRESHOLD
ZACAA4565FN



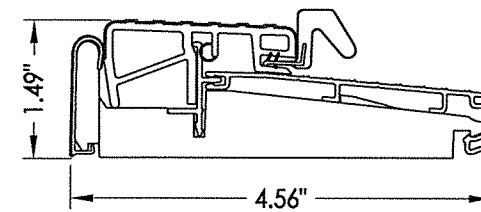
10 INSWING ARTICULATING THRESHOLD
ZAC4565RDS



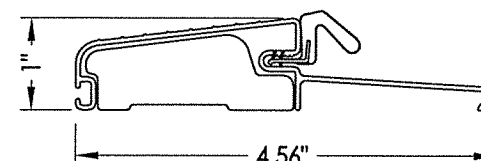
11 OUTSWING THRESHOLD
ZOB4565FN



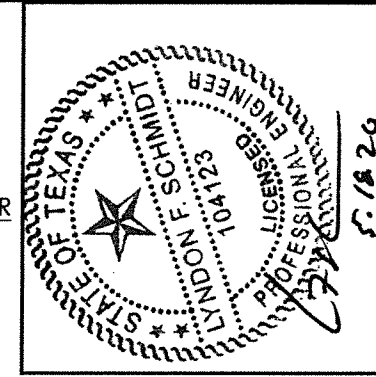
12 OUTSWING THRESHOLD
ZOBL4565



13 OUTSWING THRESHOLD
ZOB4565RDS



14 OUTSWING THRESHOLD
FOB4566



Documents Prepared By: Lyndon F. Schmidt, P.E.
TEXAS P.E. #104123

RW BUILDING CONSULTANTS, INC.
P.O. Box 230 Valrico FL 33595
Phone No.: 813.659.9197

TEXAS BOARD OF PROFESSIONAL ENGINEERS
CERTIFICATE OF REGISTRATION # F-11852

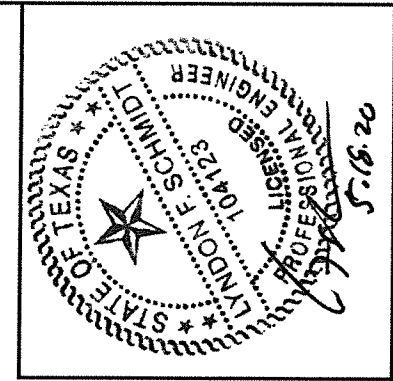
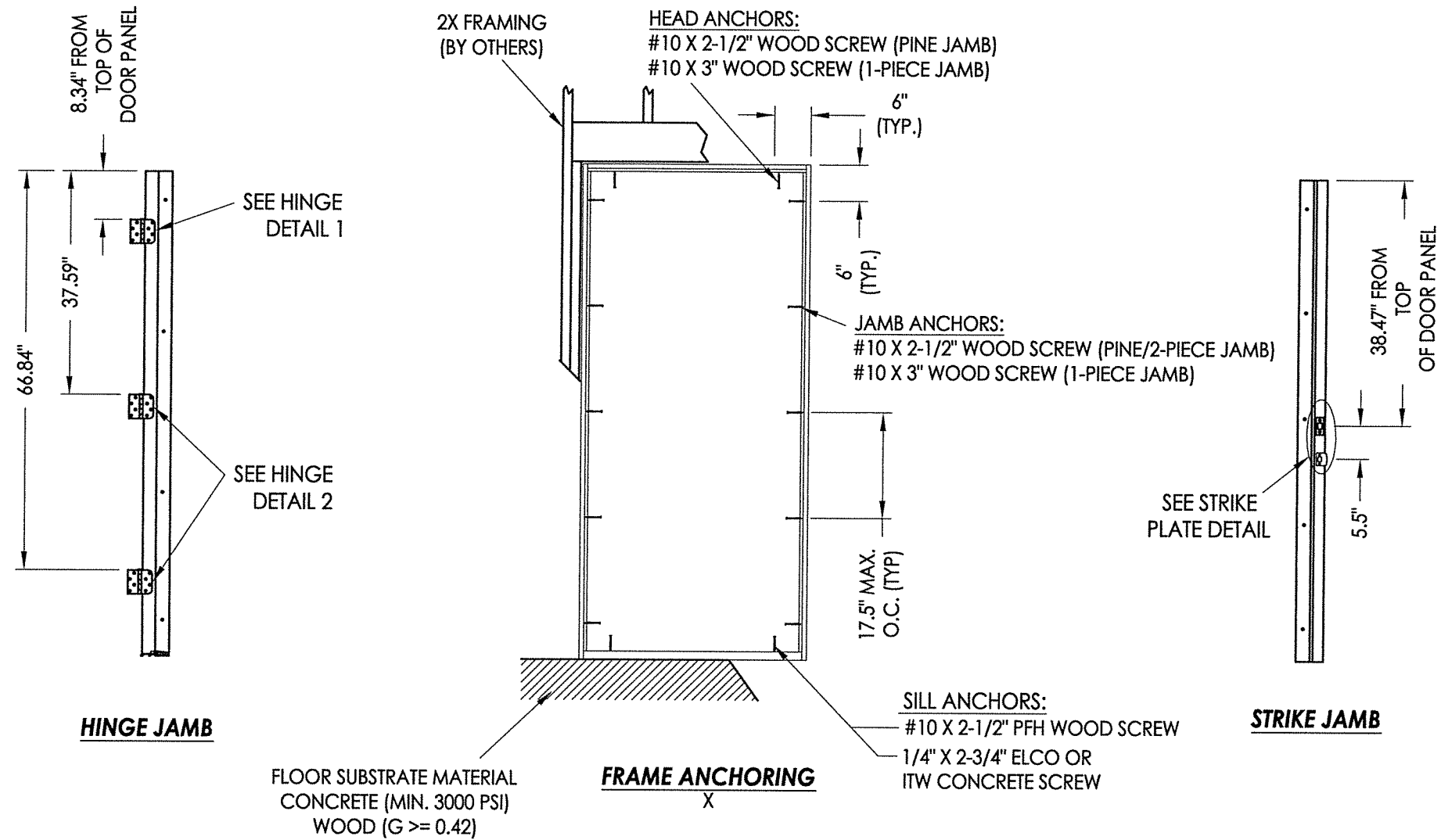
PRODUCT: ENDURA

PART OR ASSEMBLY: VERTICAL CROSS SECTIONS

NO.	DATE	BY	REVISIONS
2	12/19/19	LFS	ADD "FusionFrame" OPTION & UPDATE TO 2018 IBC/IRC CODE
1	9/05/18	LFS	ADDED ADDITIONAL THRESHOLDS

DATE: 12/10/13
SCALE: N.T.S.
DWG. BY: JK
CHK. BY: LFS
DRAWING NO.: TX-4421
SHEET 4 OF 5

© 2013 R.W. BUILDING CONSULTANTS INC.



Documents Prepared By: Lyndon F. Schmidt, P.E.
 TEXAS P.E. #104123

RW BUILDING CONSULTANTS, INC.
 P.O. Box 230 Valrico FL 33595
 Phone No.: 813.659.9197

TEXAS BOARD OF PROFESSIONAL ENGINEERS
 CERTIFICATE OF REGISTRATION # F-11852

PRODUCT: ENDURA

PART OR ASSEMBLY: FRAME ANCHORING

NO.	DATE	REVISIONS
2	12/19/19	ADD "FusionFrame" OPTION & UPDATE TO 2018 IBC/IRC CODE
1	9/05/18	ADDED ADDITIONAL THRESHOLDS

DATE: 12/10/13
 SCALE: N.T.S.
 DWG. BY: JK
 CHK. BY: LFS
 DRAWING NO.: TX-4421
 SHEET 5 OF 5

JAMB NOTES:
 THE PINE OR "FusionFrame" 1-PIECE JAMB MAY BE INSTALLED @ THE HEAD OR SIDE JAMB.
 THE FusionFrame" 2-PIECE JAMB MAY BE INSTALLED @ THE SIDE JAMBS ONLY.

- CONCRETE ANCHOR NOTES:**
- Concrete anchor locations at the corners may be adjusted to maintain the min. edge distance to mortar joints.
 - Concrete anchor locations noted as "MAX. ON CENTER" must be adjusted to maintain the min. edge distance to mortar joints, additional concrete anchors may be required to ensure the "MAX. ON CENTER" dimension are not exceeded.
 - Concrete anchor table:

ANCHOR TYPE	ANCHOR SIZE	MIN. EMBEDMENT	MIN. CLEARANCE TO MASONRY EDGE	MIN. CLEARANCE TO ADJACENT ANCHOR
ITW TAPCON®	1/4"	1-3/4"	1-1/2"	4"
ELCO ULTRACON®	1/4"	1-3/4"	1"	4"

