

# Glazed Steel Door

## "NON-IMPACT"

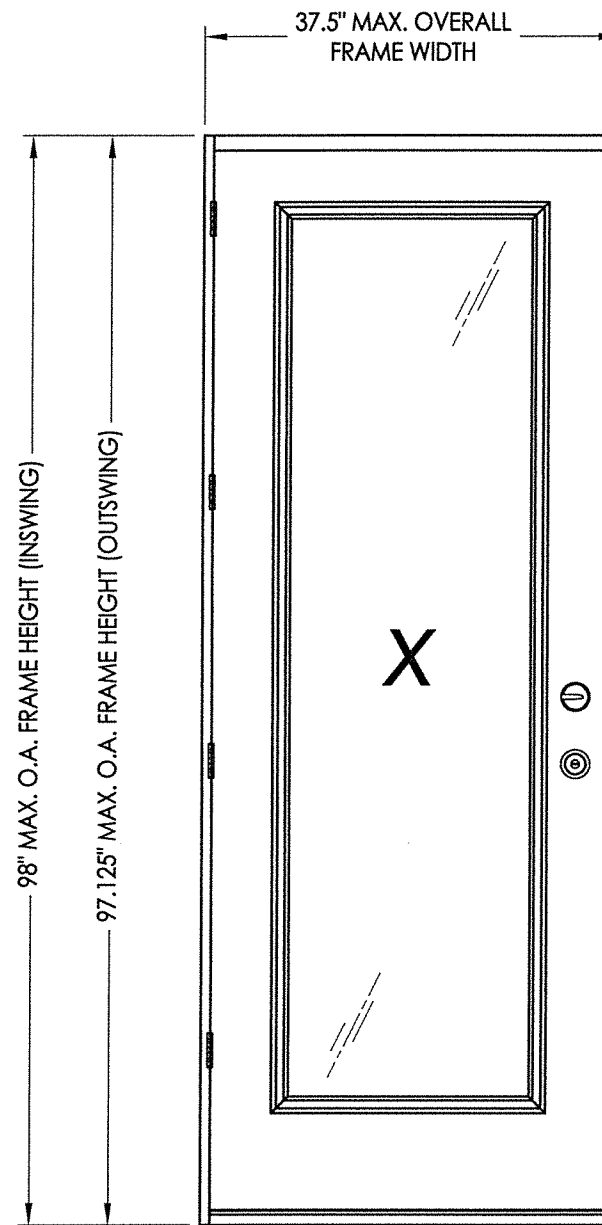
### INSWING / OUTSWING

**EVALUATED FOR USE IN THE STATE OF TEXAS**

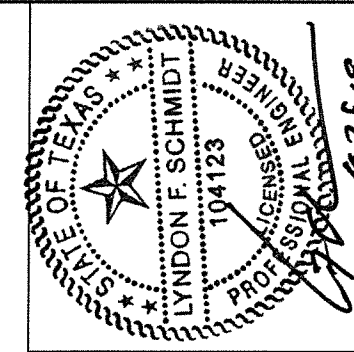
The Glazed Steel Door system described herein complies with the 2018 International Residential Code (IRC), Sections R301 & R609 and the 2018 International Building Code (IBC), Sections 1404.13, 1609, 1709.5, 2403 and 2404 subject to the following conditions:

1. Anchors shall be as listed and spaced as shown in the details. Anchor embedment to base material shall be beyond wall dressing or stucco.
2. When used in areas requiring wind-borne debris protection this product is required to be protected with an impact resistant covering that complies with Section R301.2.1.2 of the IRC and Section 1609.2 of the IBC.
3. Allowable design pressure requirements must be equal to or less than the design pressure rating shown in the design pressure chart, sheet 1 of this drawing.
4. Conditions not covered by this drawing are subject to further engineering analysis.

TABLE OF CONTENTS	
SHEET#	DESCRIPTION
1	Typical elevations, design pressures & general notes
2	Door panel details (lip lite insert glazing)
3	Horizontal cross sections
4	Vertical cross sections
5	Frame anchoring



CONFIG.	MODEL	DESIGN PRESSURE (PSF)	
		POSITIVE	NEGATIVE
X	INSWING	+30.0	-35.0
	OUTSWING	+30.0	-30.0

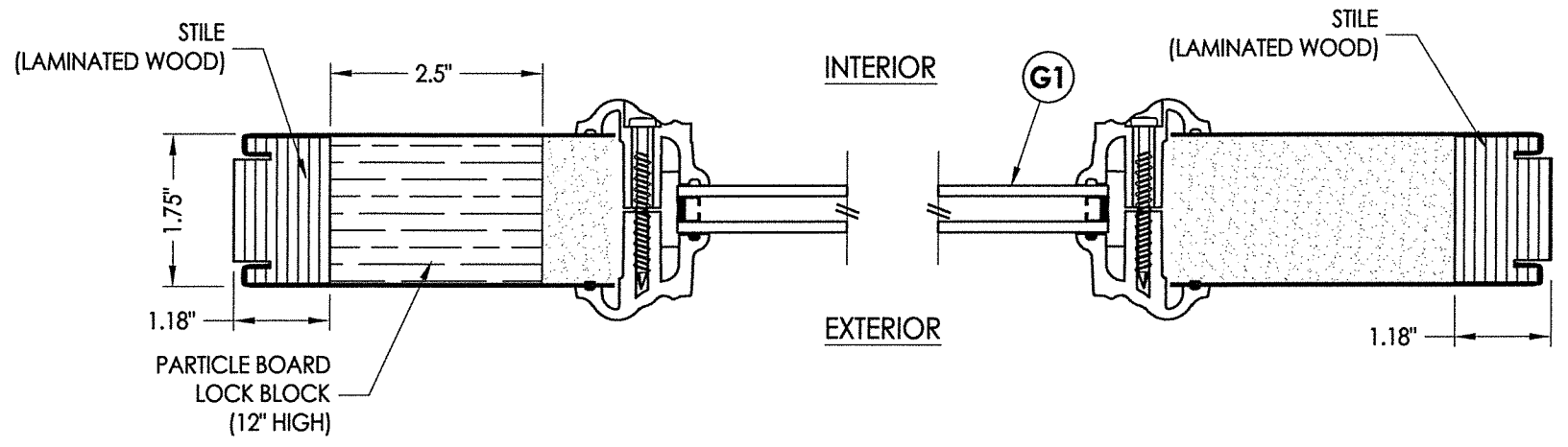


Documents Prepared By: Lyndon F. Schmidt, P.E.  
TEXAS P.E. #104123

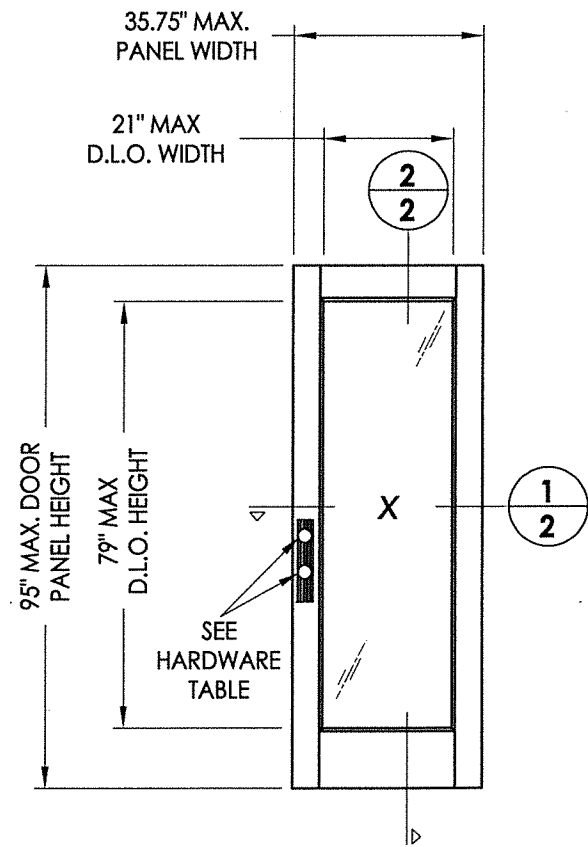
**RW** BUILDING CONSULTANTS, INC.  
P.O. Box 230 Valrico FL 33595  
Phone No.: 813.659.9197

TEXAS BOARD OF PROFESSIONAL ENGINEERS  
CERTIFICATE OF REGISTRATION # F-11852

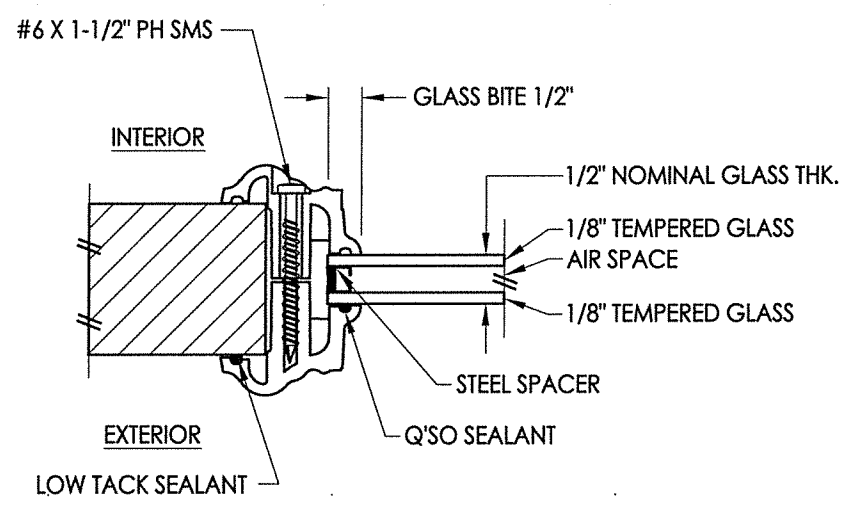
PRODUCT:	ENDURA
PART OR ASSEMBLY:	TYPICAL ELEVATION DESIGN PRESSURES & GENERAL NOTES
DATE:	12/10/13
SCALE:	N.T.S.
DWG. BY:	JK
CHK. BY:	LFS
DRAWING NO.:	TX-4420
SHEET	1 OF 5



**1**  
**2** HORIZONTAL CROSS SECTION

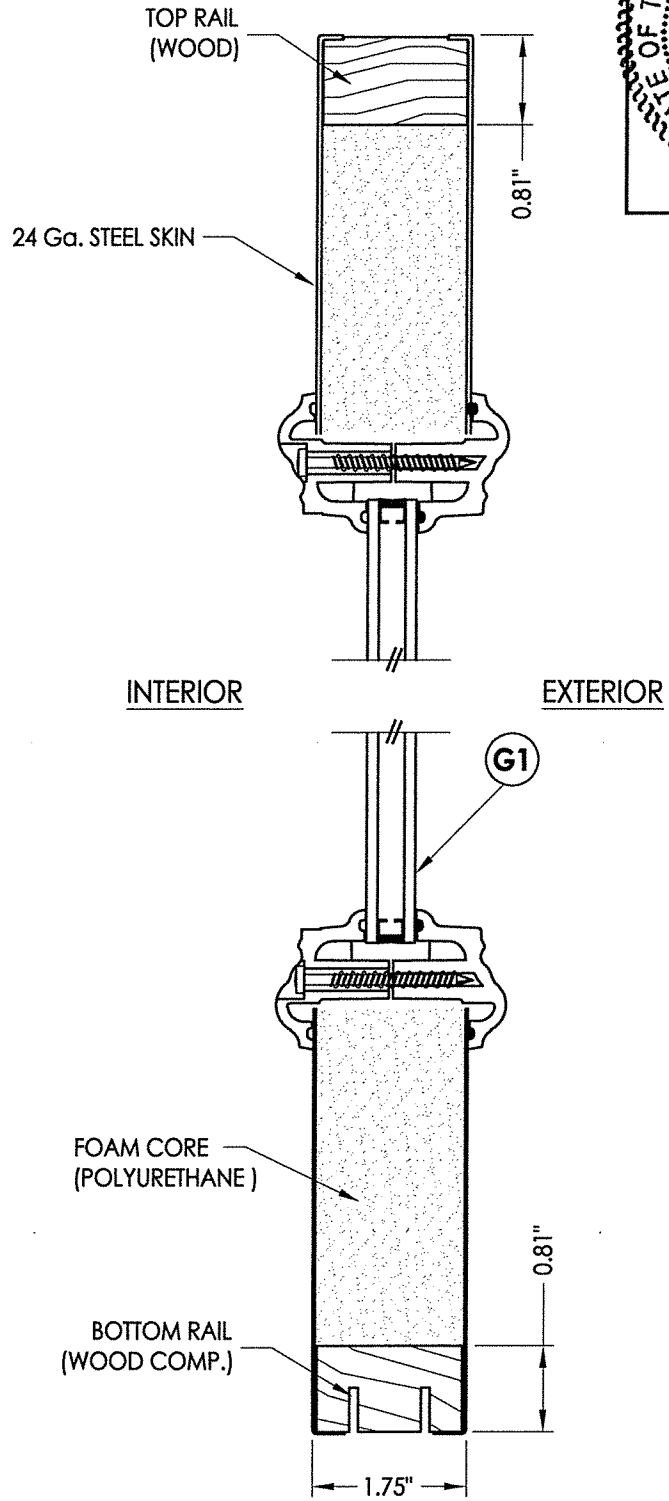


MASONITE  
Insert glazed  
(Steel)

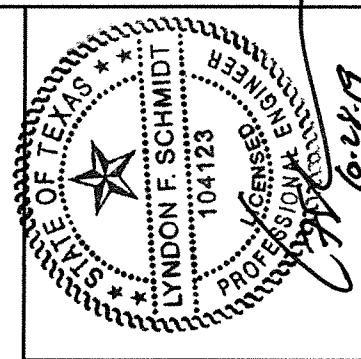


**G1** GLAZING DETAIL  
Lip Lite Insert Glazing

HARDWARE TABLE	
MANUFACTURER	MODEL
KWIKSET	LATCH: KWIKSET SIGNATURE SERIES (991) DEADBOLT: KWIKSET SIGNATURE SERIES (980/985)



**2**  
**2** VERTICAL CROSS SECTION



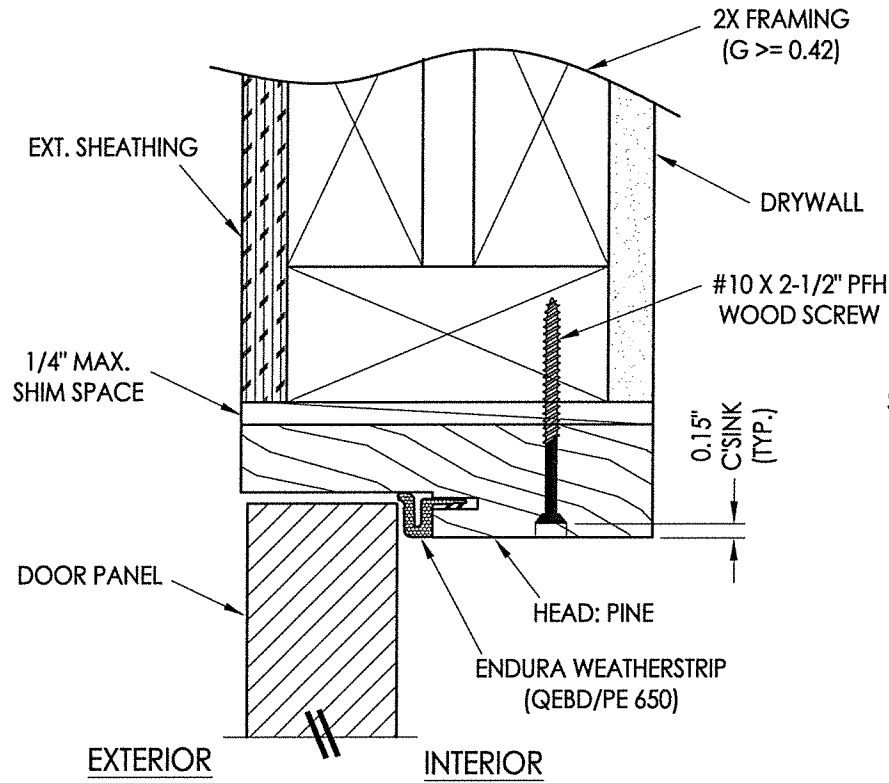
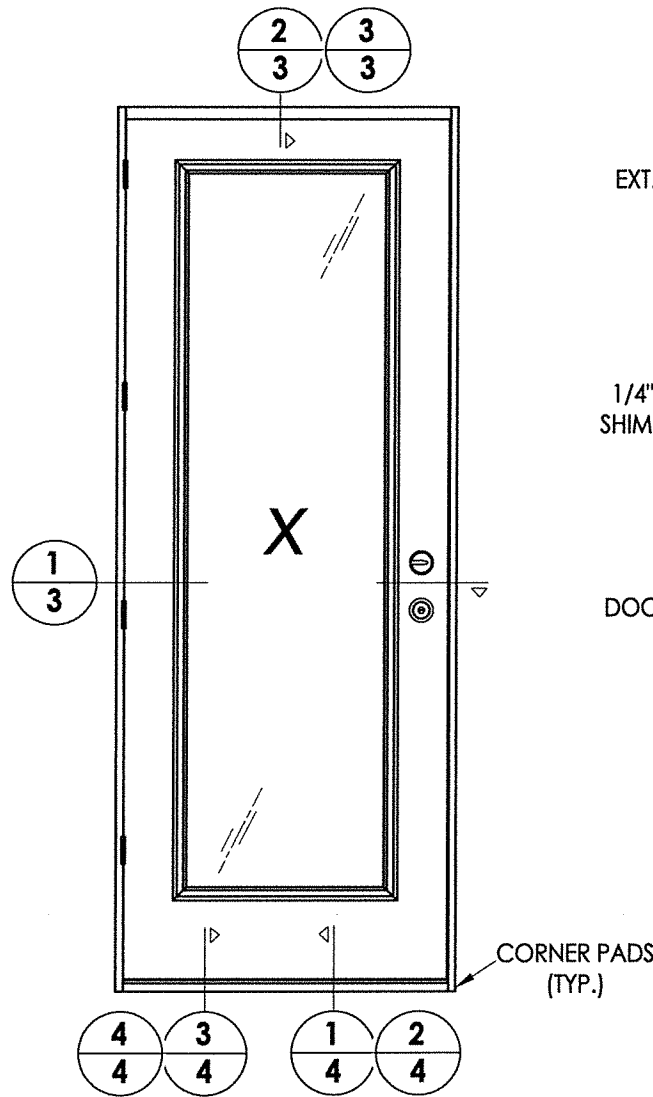
Documents Prepared By: Lyndon F. Schmidt, P.E.  
TEXAS P.E. #104123

**RW** BUILDING CONSULTANTS, INC.  
P.O. Box 230 Valrico FL 33595  
Phone No.: 813.659.9197

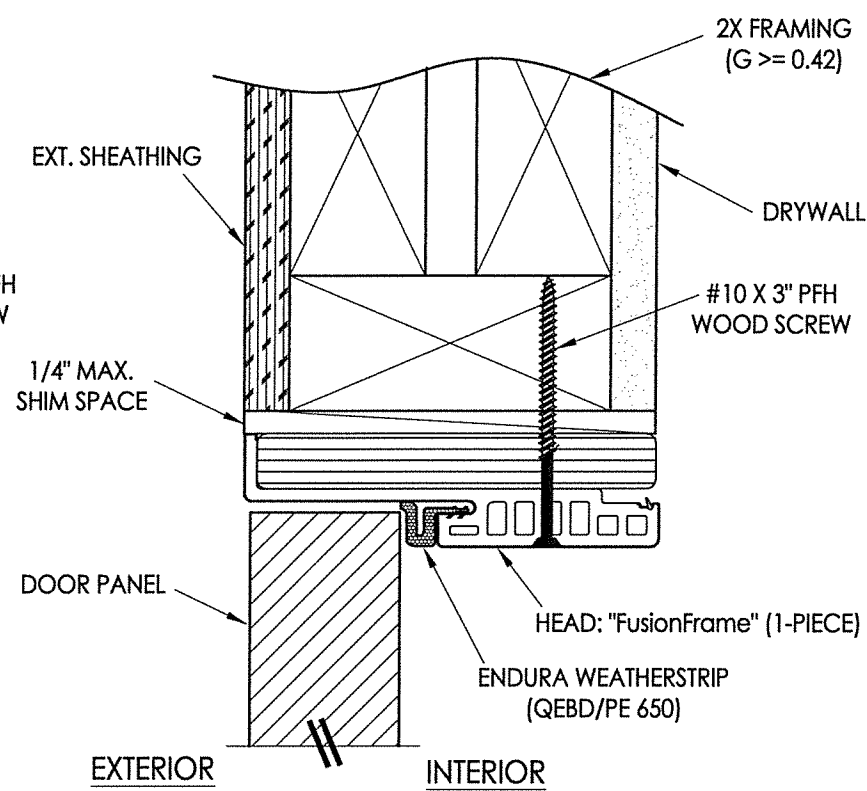
TEXAS BOARD OF PROFESSIONAL ENGINEERS  
CERTIFICATE OF REGISTRATION # F-11852

PRODUCT:	ENDURA	
PART OR ASSEMBLY:	DOOR PANEL DETAILS (LIP LITE INSERT GLAZING)	
NO.	DATE	BY
2	10/28/19	LFS
1	11/01/16	LFS
REVISIONS		
DATE: 12/10/13		
SCALE: N.T.S.		
DWG. BY: JK		
CHK. BY: LFS		
DRAWING NO.: TX-4420		
SHEET 2 OF 5		

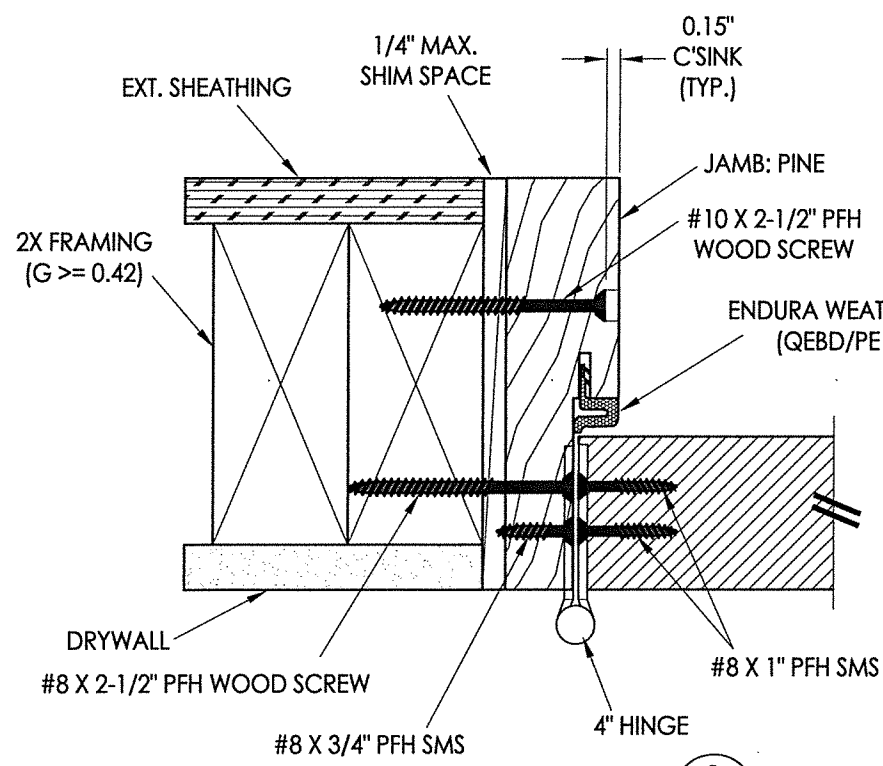
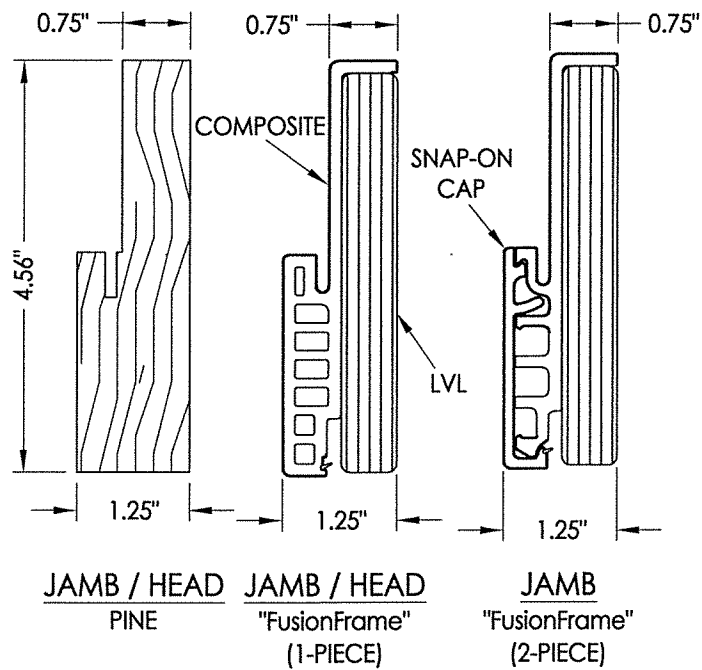
R:\Clients\Endura PERMANENT\B - Texas Dept of Ins\TDI - DR-585 Masonite Steel\C - Drawings\REV 2018 IBC\TX-4419-20.dwg, 3.8



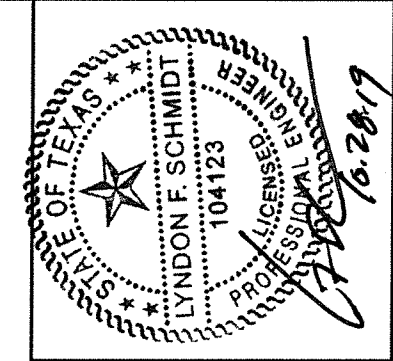
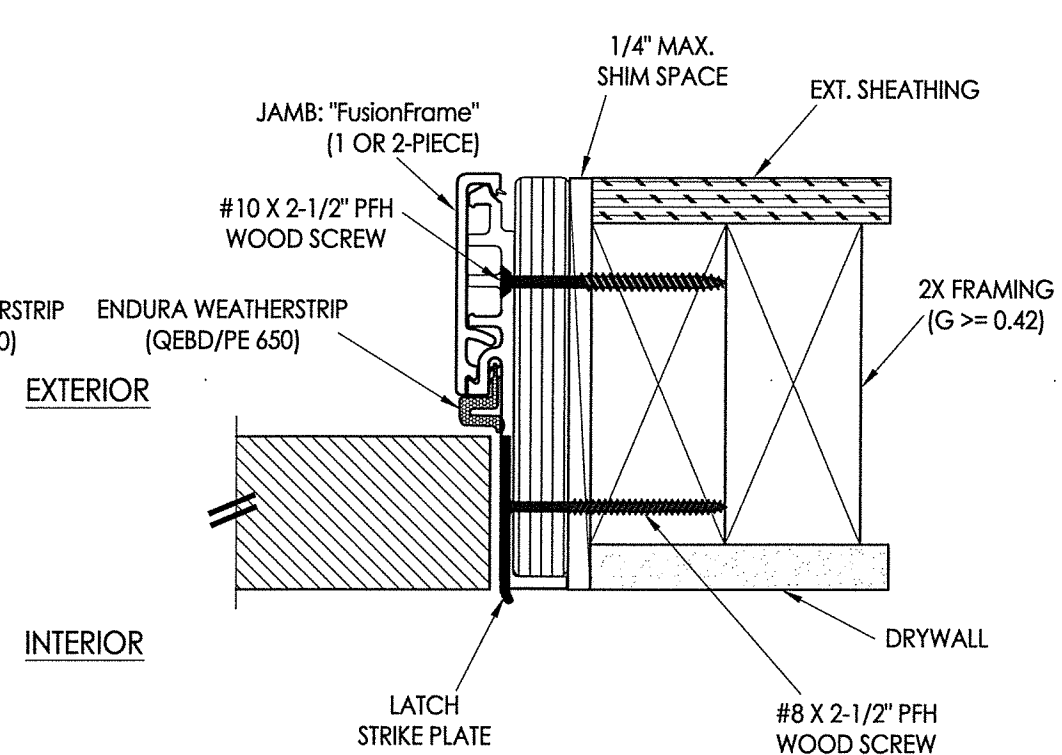
**2 VERTICAL CROSS SECTION**  
3 Outswing shown - inswing also approved



**3 VERTICAL CROSS SECTION**  
3 Outswing shown - inswing also approved



**1 HORIZONTAL CROSS SECTION**  
3 Inswing shown - Outswing also approved



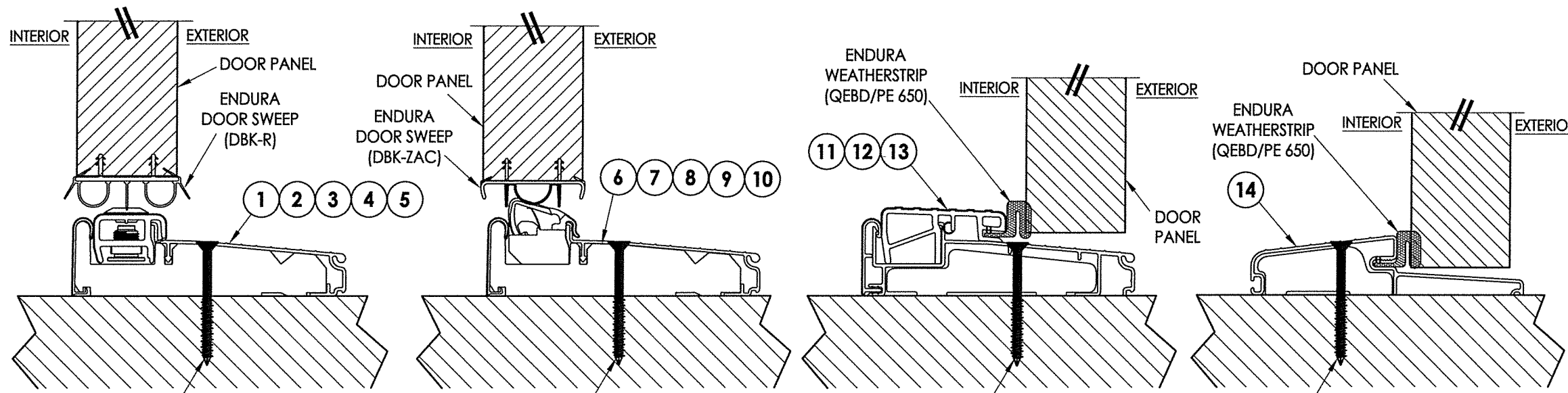
Documents Prepared By: Lyndon F. Schmidt, P.E.  
TEXAS P.E. #104123  
RW BUILDING CONSULTANTS, INC.  
P.O. Box 230 Valrico FL, 33595  
Phone No.: 813.659.9197  
TEXAS BOARD OF PROFESSIONAL ENGINEERS  
CERTIFICATE OF REGISTRATION # F-11852

PRODUCT: ENDURA  
PART OR ASSEMBLY: HORIZONTAL CROSS SECTIONS

NO.	DATE	REVISIONS
2	10/28/19	ADD "FusionFrame" OPTION & UPDATE TO 2018 IBC/IRC CODE
1	11/01/16	ADDED THRESHOLDS/REVISE D.P.

DATE: 12/10/13  
SCALE: N.T.S.  
DWG. BY: JK  
CHK. BY: LFS  
DRAWING NO.: TX-4420  
SHEET 3 OF 5

R:\Clients\Endura PERMANENT\B - Texas Dept of Ins\TDI - DR-585 Masonite Steel\C - Drawings\REV 2018 IBC\TX-4419-20.dwg, 4.8



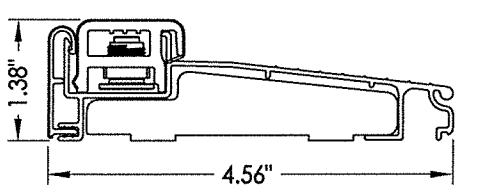
#10 X 2.5" PFH WOOD SCREW OR 1/4" X 2-3/4" ELCO OR ITW CONCRETE SCREW

**1** VERTICAL CROSS SECTION  
**4** Inswing Adjustable Threshold

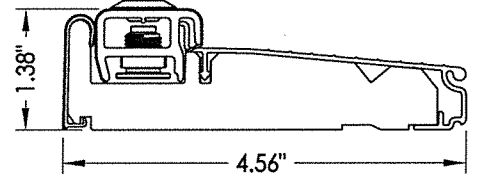
**2** VERTICAL CROSS SECTION  
**4** Inswing Articulating Threshold

**3** VERTICAL CROSS SECTION  
**4** Outswing Bump Threshold

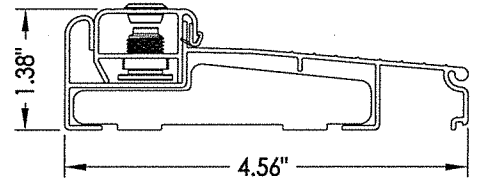
**4** VERTICAL CROSS SECTION  
**4** Outswing Bump Threshold



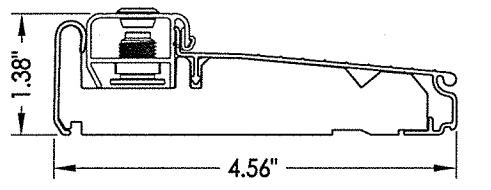
**1** INSWING ADJUSTABLE THRESHOLD  
ZAIL4565



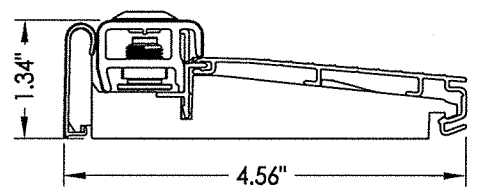
**2** INSWING ADJUSTABLE THRESHOLD  
ZAI4565FN



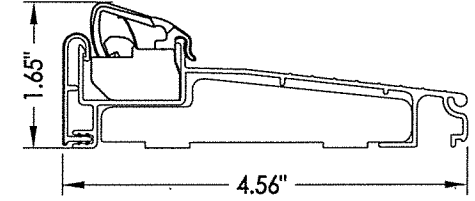
**3** INSWING ADJUSTABLE THRESHOLD  
ZAI4A4565



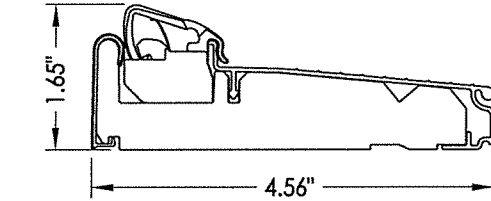
**4** INSWING ADJUSTABLE THRESHOLD  
ZAI4A4565FN



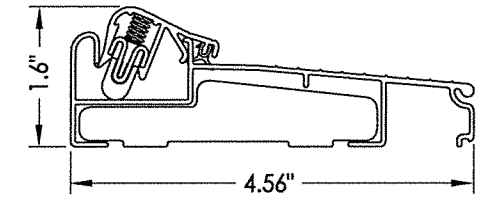
**5** INSWING ADJUSTABLE THRESHOLD  
ZAI4565RDS



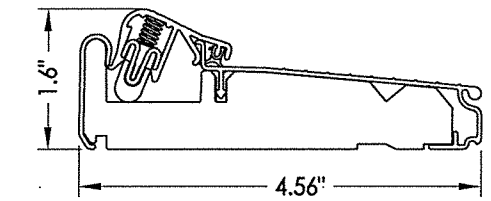
**6** INSWING ARTICULATING THRESHOLD  
ZACL4565



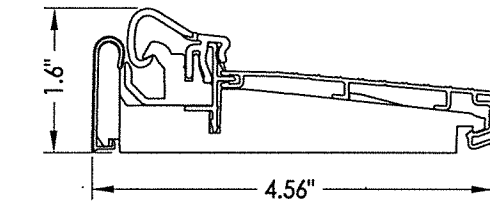
**7** INSWING ARTICULATING THRESHOLD  
ZAC4565FN



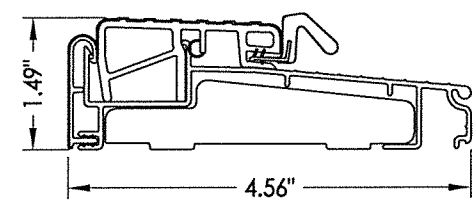
**8** INSWING ARTICULATING THRESHOLD  
ZACLA4565



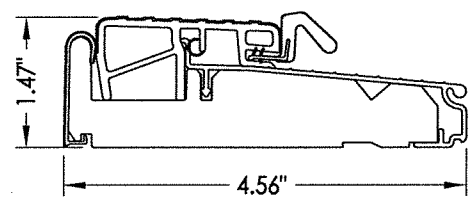
**9** INSWING ARTICULATING THRESHOLD  
ZACAA4565FN



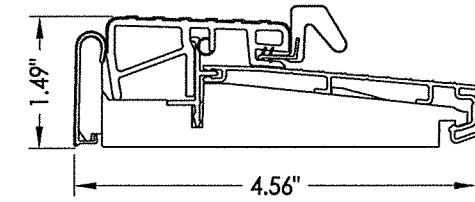
**10** INSWING ARTICULATING THRESHOLD  
ZAC4565RDS



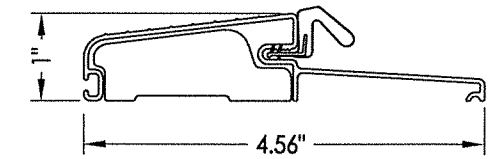
**11** OUTSWING THRESHOLD  
ZOBL4565



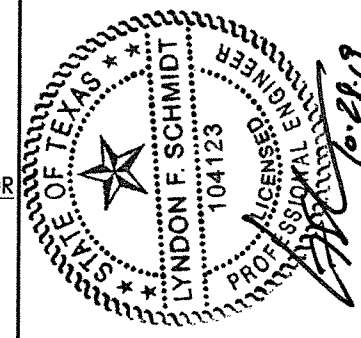
**12** OUTSWING THRESHOLD  
ZOB4565FN



**13** OUTSWING THRESHOLD  
ZOB4565RDS



**14** OUTSWING THRESHOLD  
FOB4566



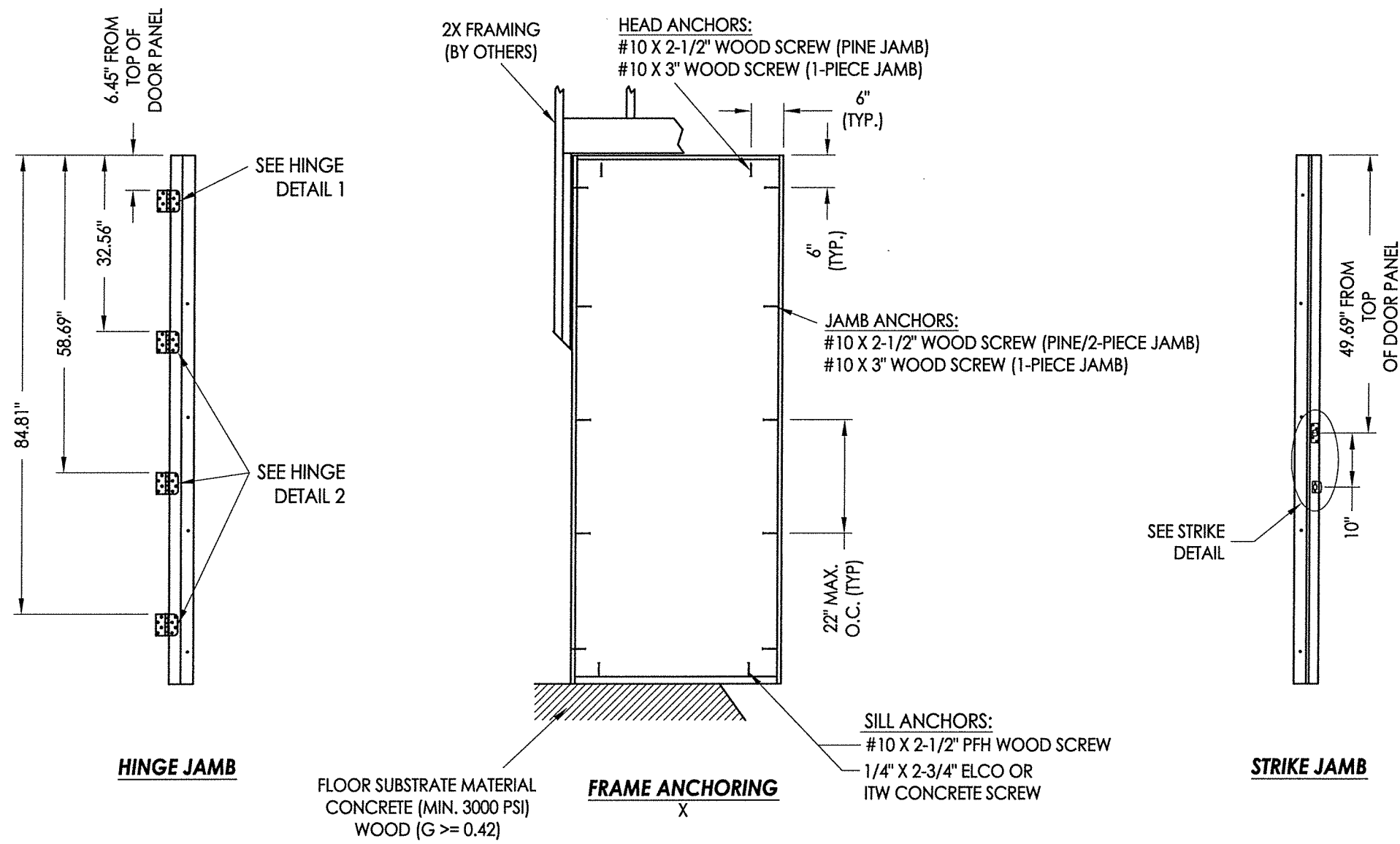
Documents Prepared By: Lyndon F. Schmidt, P.E.  
TEXAS P.E. #104123

**RW** BUILDING CONSULTANTS, INC.  
P.O. Box 230 Varico FL 33595  
Phone No.: 813.659.9197

TEXAS BOARD OF PROFESSIONAL ENGINEERS  
CERTIFICATE OF REGISTRATION # F-11852

PRODUCT:	ENDURA	
PART OR ASSEMBLY:	VERTICAL CROSS SECTIONS	
NO.	DATE	BY
2	10/28/19	LFS
1	11/01/16	LFS
REVISIONS		
DATE: 12/10/13		
SCALE: N.T.S.		
DWG. BY: JK		
CHK. BY: LFS		
DRAWING NO.: TX-4420		
SHEET 4 OF 5		

© 2013 R.W. BUILDING CONSULTANTS INC.



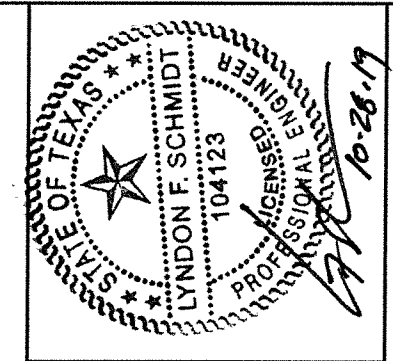
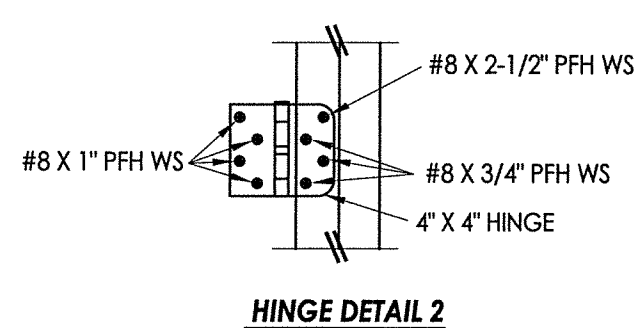
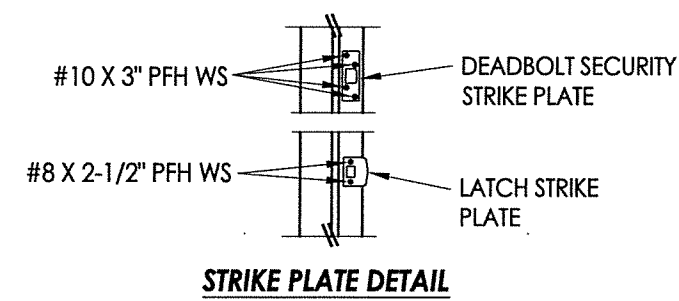
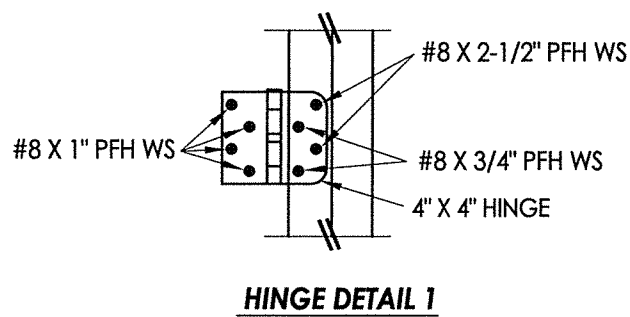
**JAMB NOTES:**

THE PINE OR "FusionFrame" 1-PIECE JAMB MAY BE INSTALLED @ THE HEAD OR SIDE JAMB.  
 THE FusionFrame" 2-PIECE JAMB MAY BE INSTALLED @ THE SIDE JAMBS ONLY.

**CONCRETE ANCHOR NOTES:**

- Concrete anchor locations at the corners may be adjusted to maintain the min. edge distance to mortar joints.
- Concrete anchor locations noted as "MAX. ON CENTER" must be adjusted to maintain the min. edge distance to mortar joints, additional concrete anchors may be required to ensure the "MAX. ON CENTER" dimension are not exceeded.
- Concrete anchor table:

ANCHOR TYPE	ANCHOR SIZE	MIN. EMBEDMENT	MIN. CLEARANCE TO MASONRY EDGE	MIN. CLEARANCE TO ADJACENT ANCHOR
ITW TAPCON®	1/4"	1-3/4"	2-1/2"	3"
ELCO ULTRACON®	1/4"	1-3/4"	1"	3"



Documents Prepared By: Lyndon F. Schmidt, P.E.  
 TEXAS P.E. #104123

**RW** BUILDING CONSULTANTS, INC.  
 P.O. Box 230 Vailico FL 33595  
 Phone No.: 813.659.9197

TEXAS BOARD OF PROFESSIONAL ENGINEERS  
 CERTIFICATE OF REGISTRATION # F-11852

PRODUCT:	ENDURA
PART OR ASSEMBLY:	FRAME ANCHORING
DATE:	12/10/13
SCALE:	N.T.S.
DWG. BY:	JK
CHK. BY:	LFS
DRAWING NO.:	TX-4420
SHEET	5 OF 5

NO.	DATE	REVISIONS	BY
2	10/28/19	ADD "FusionFrame" OPTION & UPDATE TO 2018 IBC/IRC CODE	LFS
1	11/01/16	ADDED THRESHOLDS/REVISE D.P.	LFS