



Glazed Fiberglass Door

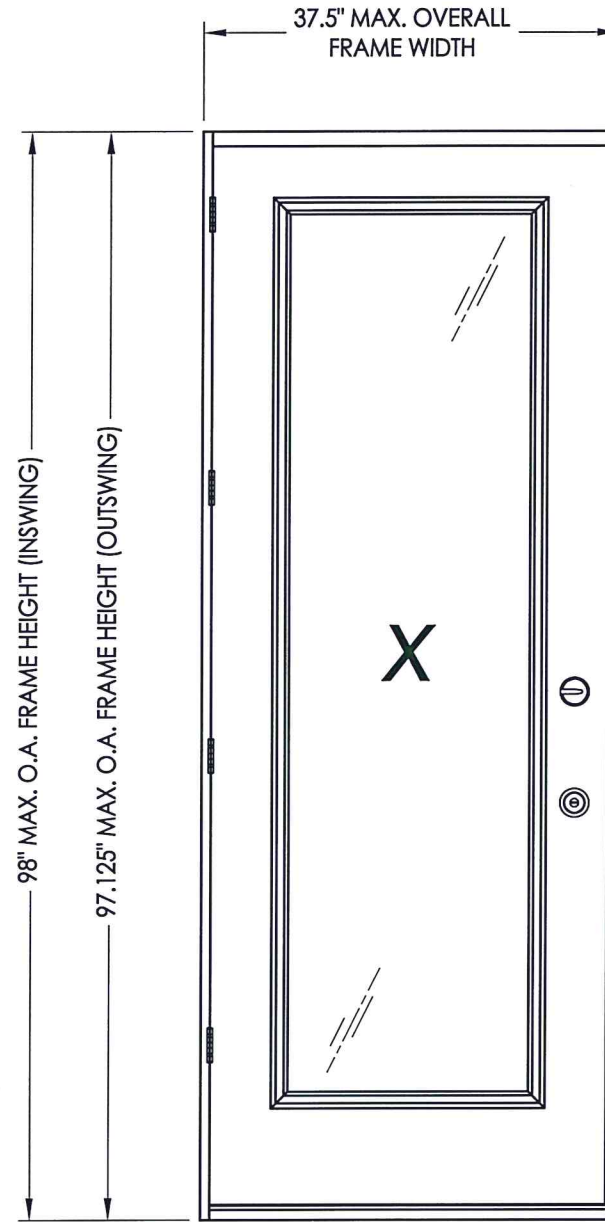
"NON-IMPACT"
IN SWING / OUT SWING

EVALUATED FOR USE IN THE STATE OF TEXAS

The Glazed Fiberglass Door system described herein complies with the 2018 International Residential Code (IRC), Sections R301 & R609 and the 2018 International Building Code (IBC), Sections 1404.13, 1609, 1709.5, 2403 and 2404 subject to the following conditions:

1. Anchors shall be as listed and spaced as shown in the details. Anchor embedment to base material shall be beyond wall dressing or stucco.
2. When used in areas requiring wind-borne debris protection this product is required to be protected with an impact resistant covering that complies with Section R301.2.1.2 of the IRC and Section 1609.2 of the IBC.
3. Allowable design pressure requirements must be equal to or less than the design pressure rating shown in the design pressure chart, sheet 1 of this drawing.
4. Conditions not covered by this drawing are subject to further engineering analysis.

TABLE OF CONTENTS	
SHEET#	DESCRIPTION
1	Typical elevations, design pressures & general notes
2	Door panel details (lip lite insert glazing)
3	Horizontal & vertical cross sections
4	Vertical cross sections
5	Frame anchoring



CONFIG.	GLAZING	MODEL	DESIGN PRESSURE (PSF)	
			POSITIVE	NEGATIVE
X	LIP LITE INSERT	IN SWING	+35.0	-35.0
X	LIP LITE INSERT	OUT SWING	+35.0	-40.0



Documents Prepared By: Lyndon F. Schmidt, P.E.
TEXAS P.E. #104123

RW BUILDING CONSULTANTS, INC.
P.O. Box 230 Valrico FL 33595
Phone No.: 813.659.9197

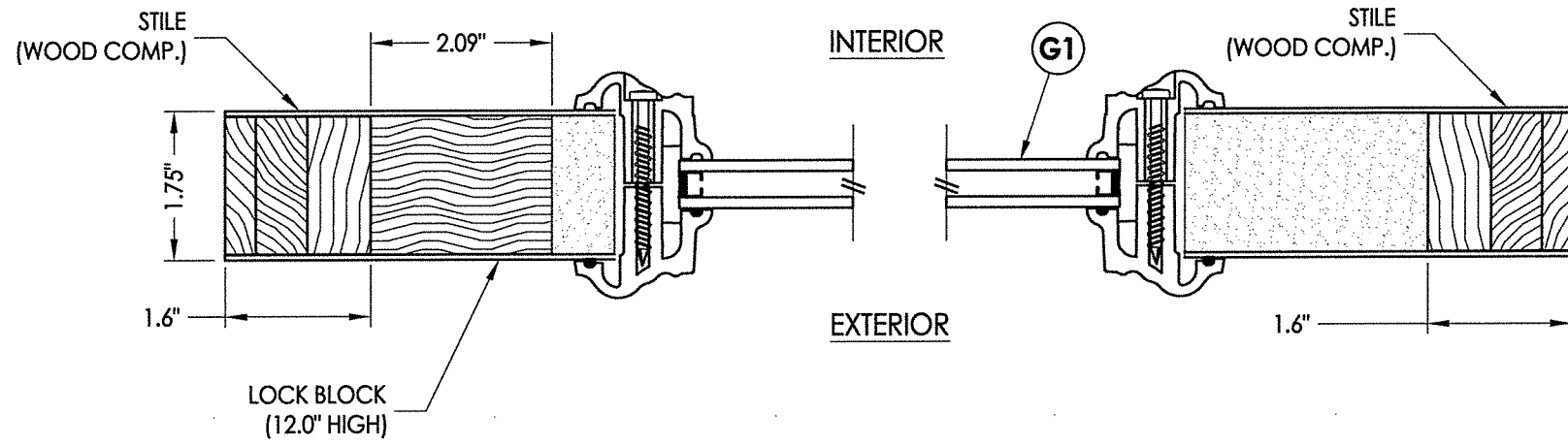
TEXAS BOARD OF PROFESSIONAL ENGINEERS
CERTIFICATE OF REGISTRATION # F-11852

PRODUCT: ENDURA

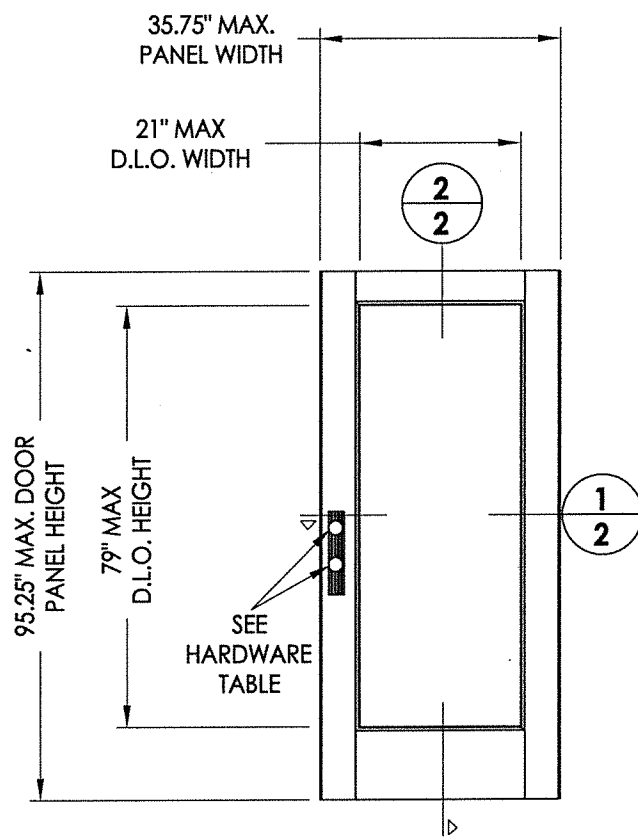
PART OR ASSEMBLY: TYPICAL ELEVATION, DESIGN PRESSURES & GENERAL NOTES

NO.	DATE	REVISIONS
3	9/16/19	ADD "FusionFrame" OPTION & UPDATE TO 2018 IBC/IRC CODE
2	11/07/18	REVISED TO INSERT GLAZED ONLY
1	10/25/16	ADDED THRESHOLDS

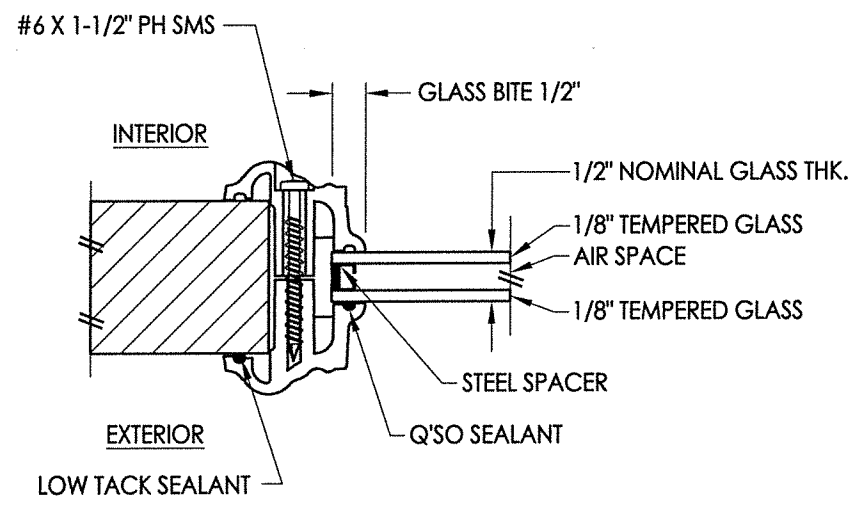
DATE: 12/5/13
SCALE: N.T.S.
DWG. BY: JK
CHK. BY: LFS
DRAWING NO.: TX-4418
SHEET 1 OF 5



1 HORIZONTAL CROSS SECTION

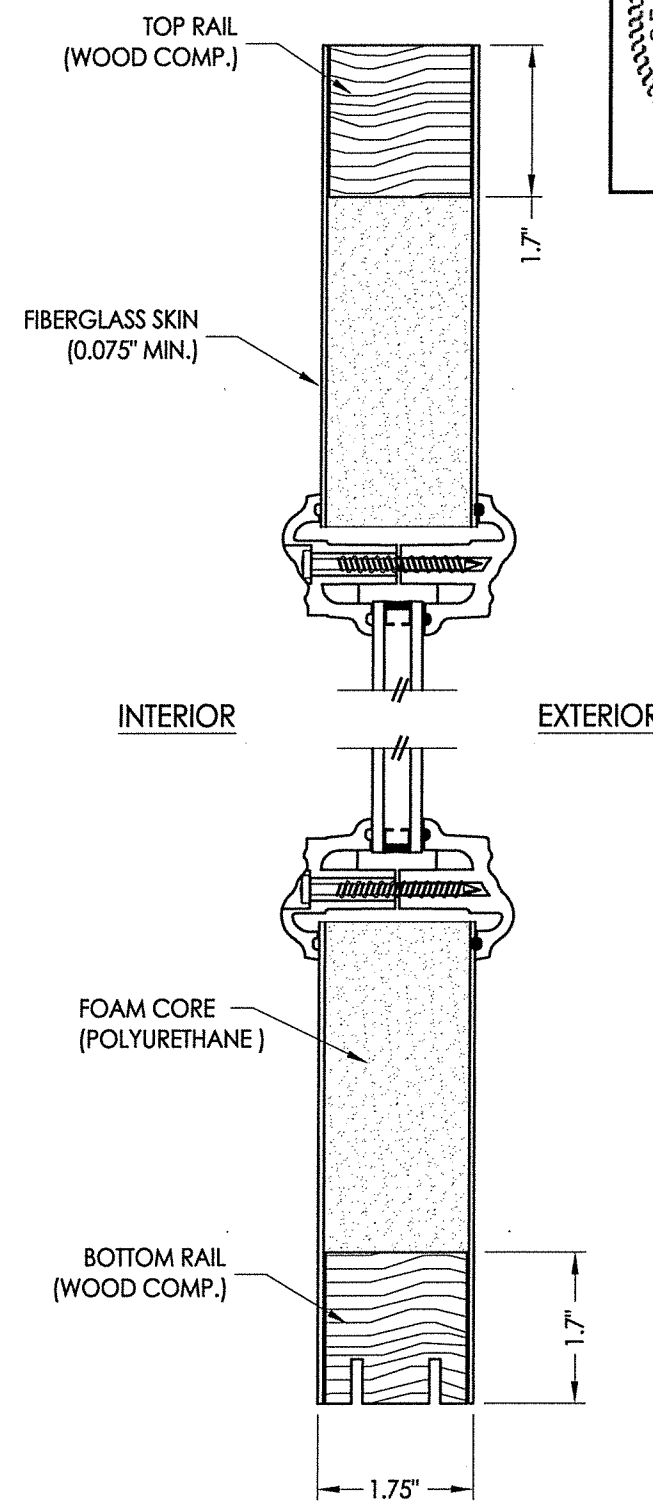


MASONITE
Insert glazed
(fiberglass)

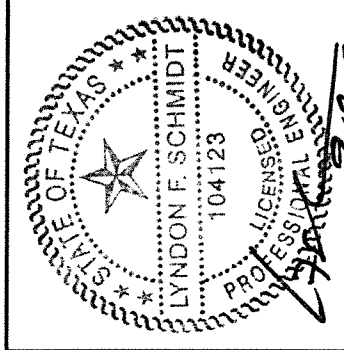


G1 GLAZING DETAIL
Lip Lite Insert Glazing

HARDWARE TABLE	
MANUFACTURER	MODEL
KWIKSET	LATCH: KWIKSET SIGNATURE SERIES (991) DEADBOLT: KWIKSET SIGNATURE SERIES (980/985)



2 VERTICAL CROSS SECTION



Documents Prepared By: Lyndon F. Schmidt, P.E.
TEXAS P.E. #104123

RW BUILDING CONSULTANTS, INC.
P.O. Box 230 Valrico FL, 33595
Phone No.: 813.659.9197

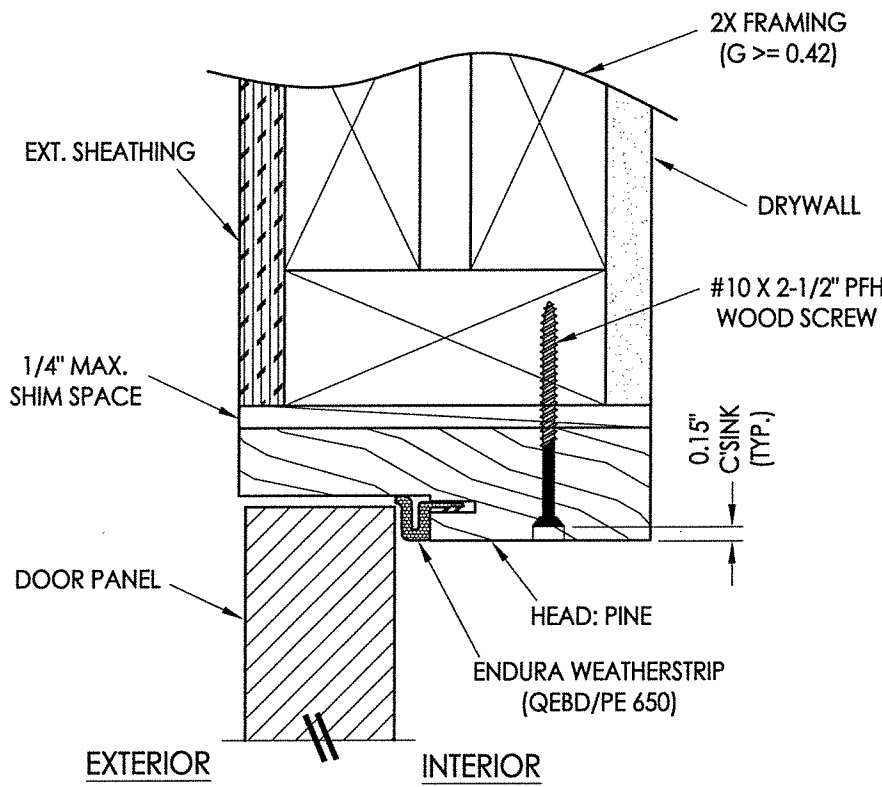
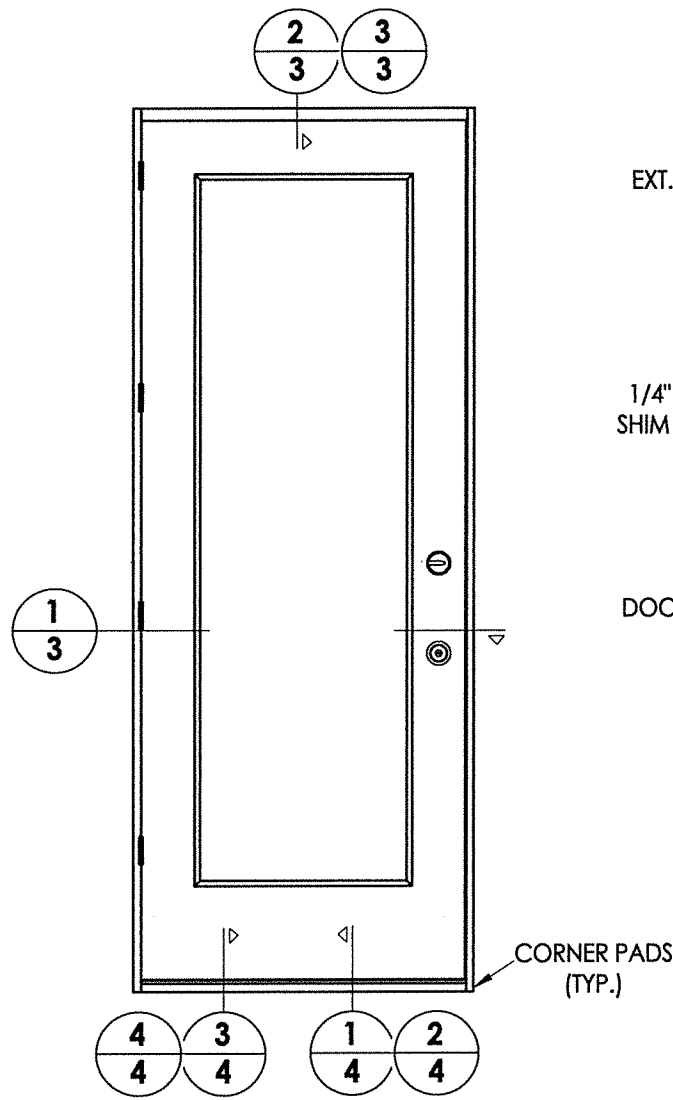
TEXAS BOARD OF PROFESSIONAL ENGINEERS
CERTIFICATE OF REGISTRATION # F-11852

PRODUCT: ENDURA

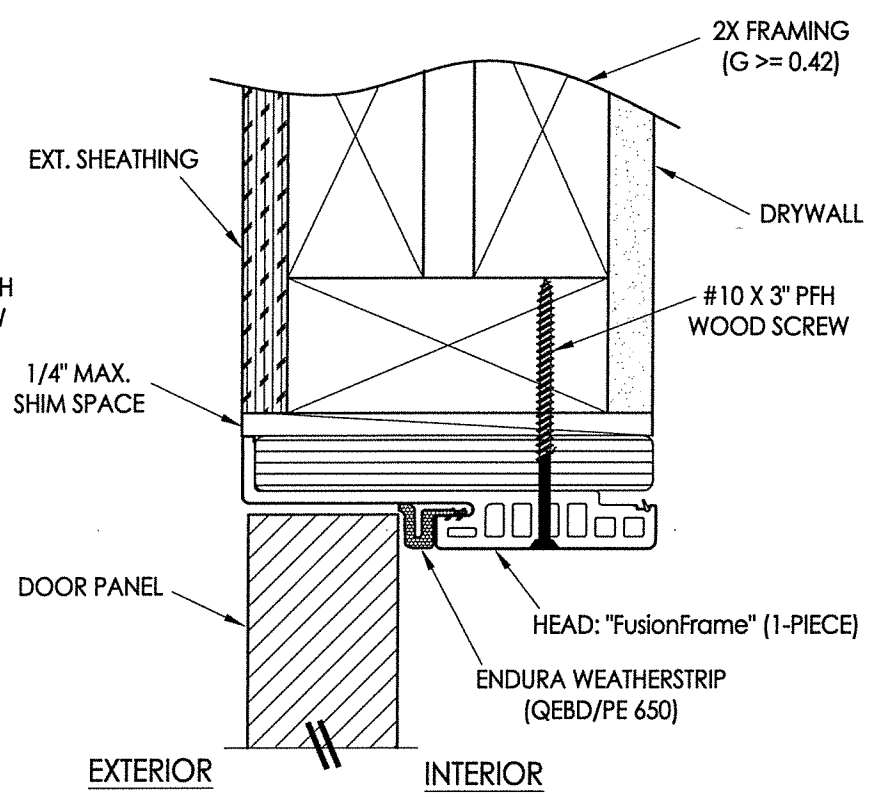
PART OR ASSEMBLY: DOOR PANEL DETAILS
(LIP LITE INSERT GLAZING)

NO.	DATE	BY	REVISIONS
3	9/16/19	LFS	ADD "FusionFrame" OPTION & UPDATE TO 2018 IBC/IRC CODE
2	11/07/18	LFS	REVISED TO INSERT GLAZED ONLY
1	10/25/16	LFS	ADDED THRESHOLDS

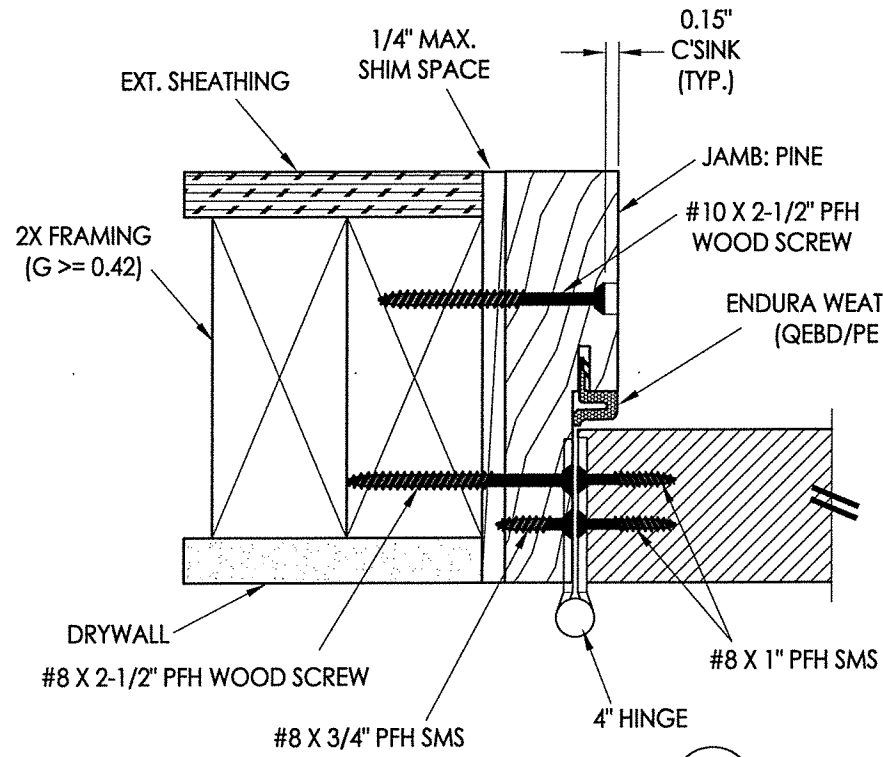
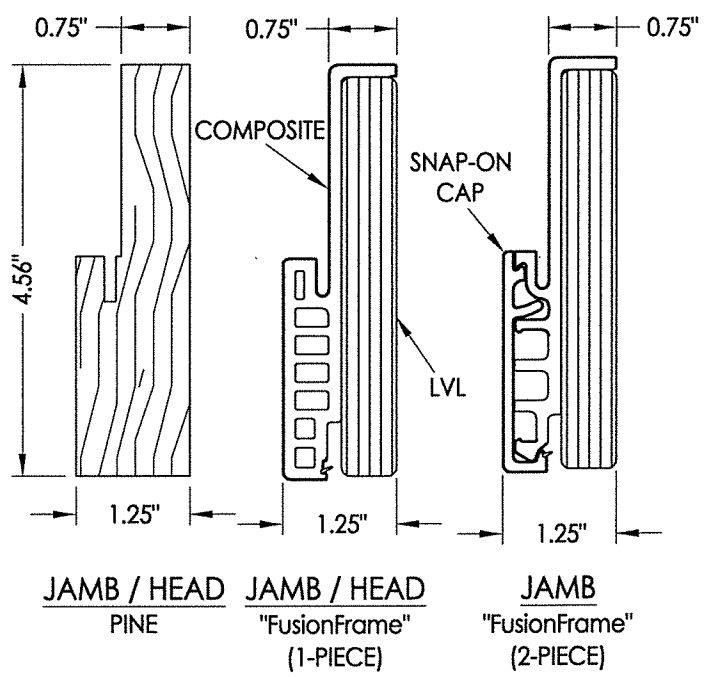
DATE: 12/5/13
SCALE: N.T.S.
DWG. BY: JK
CHK. BY: LFS
DRAWING NO.: TX-4418
SHEET 2 OF 5



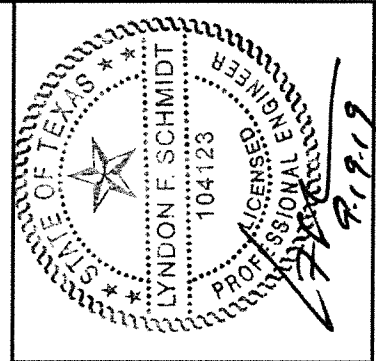
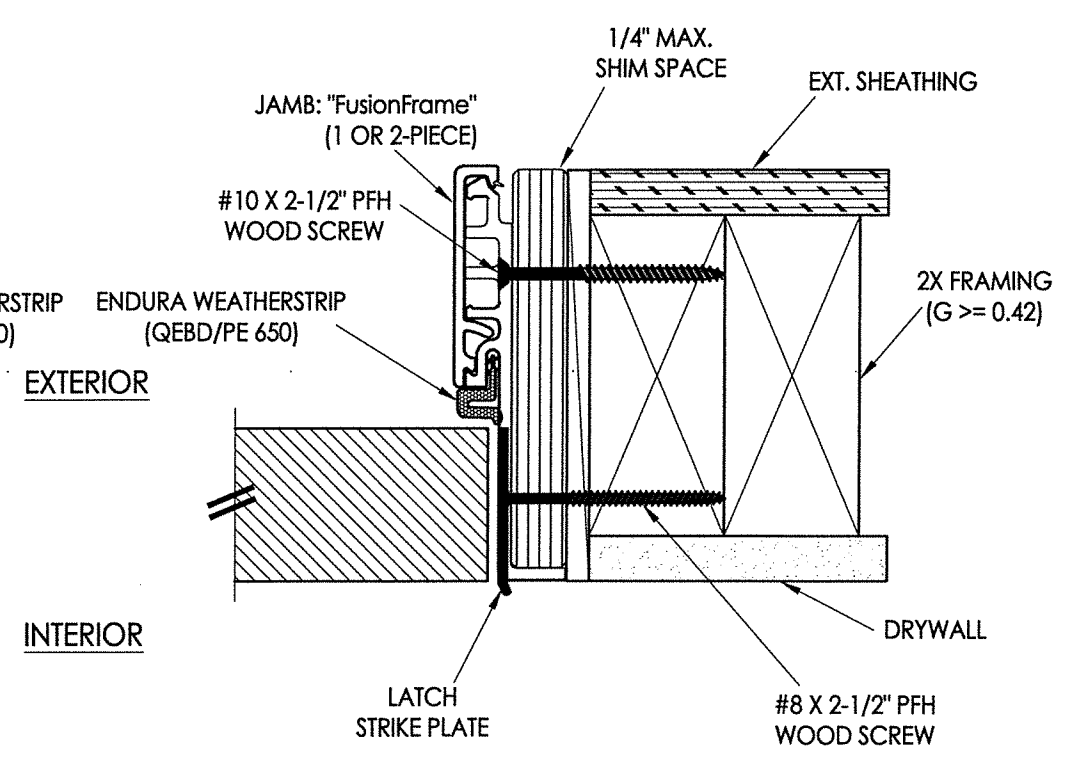
2 VERTICAL CROSS SECTION
 3 Outswing shown - inswing also approved



3 VERTICAL CROSS SECTION
 3 Outswing shown - inswing also approved



1 HORIZONTAL CROSS SECTION
 3 Inswing shown - Outswing also approved



Documents Prepared By: Lyndon F. Schmidt, P.E.
 TEXAS P.E. #104123

RW BUILDING CONSULTANTS, INC.
 P.O. Box 230 Valrico FL, 33595
 Phone No.: 813.659.9197

TEXAS BOARD OF PROFESSIONAL ENGINEERS
 CERTIFICATE OF REGISTRATION # F-11852

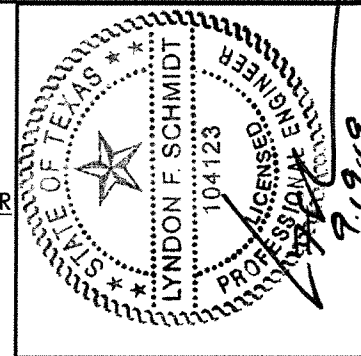
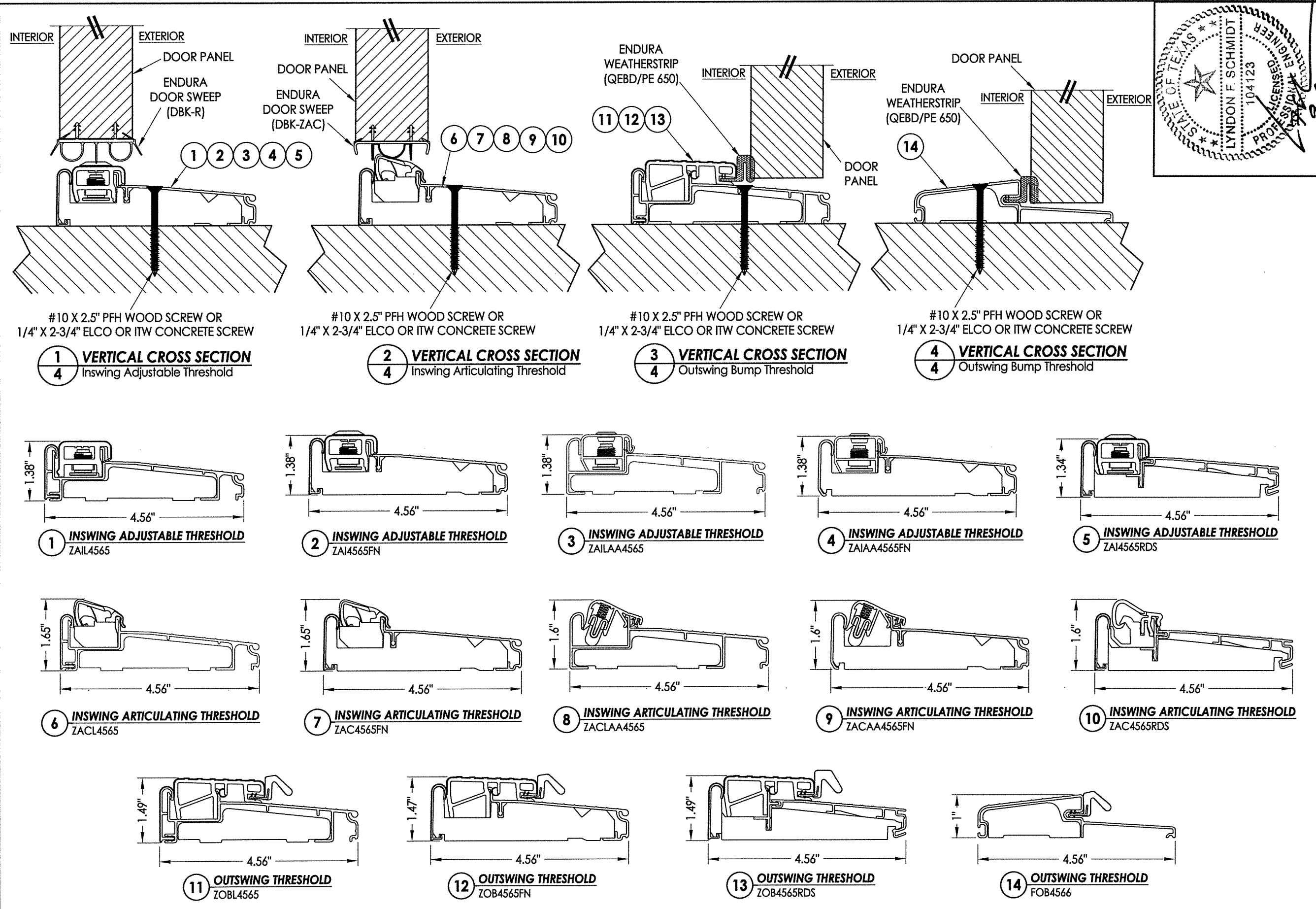
PRODUCT: ENDURA

PART OR ASSEMBLY: HORIZONTAL & VERTICAL CROSS SECTIONS

NO.	DATE	REVISIONS
3	9/16/19	ADD "FusionFrame" OPTION & UPDATE TO 2018 IBC/IRC CODE
2	11/07/18	REVISED TO INSERT GLAZED ONLY
1	10/25/16	ADDED THRESHOLDS

DATE: 12/5/13
 SCALE: N.T.S.
 DWG. BY: JK
 CHK. BY: LFS
 DRAWING NO.: TX-4418
 SHEET 3 OF 5

R:\Clients\Endura PERMANENT\B - Texas Dept of Ins\TDI - DR-570 (Exp. 11-1-17)\C - Drawings\REV 2018 Insert Glazed\TX-4417-18.dwg, 4.8



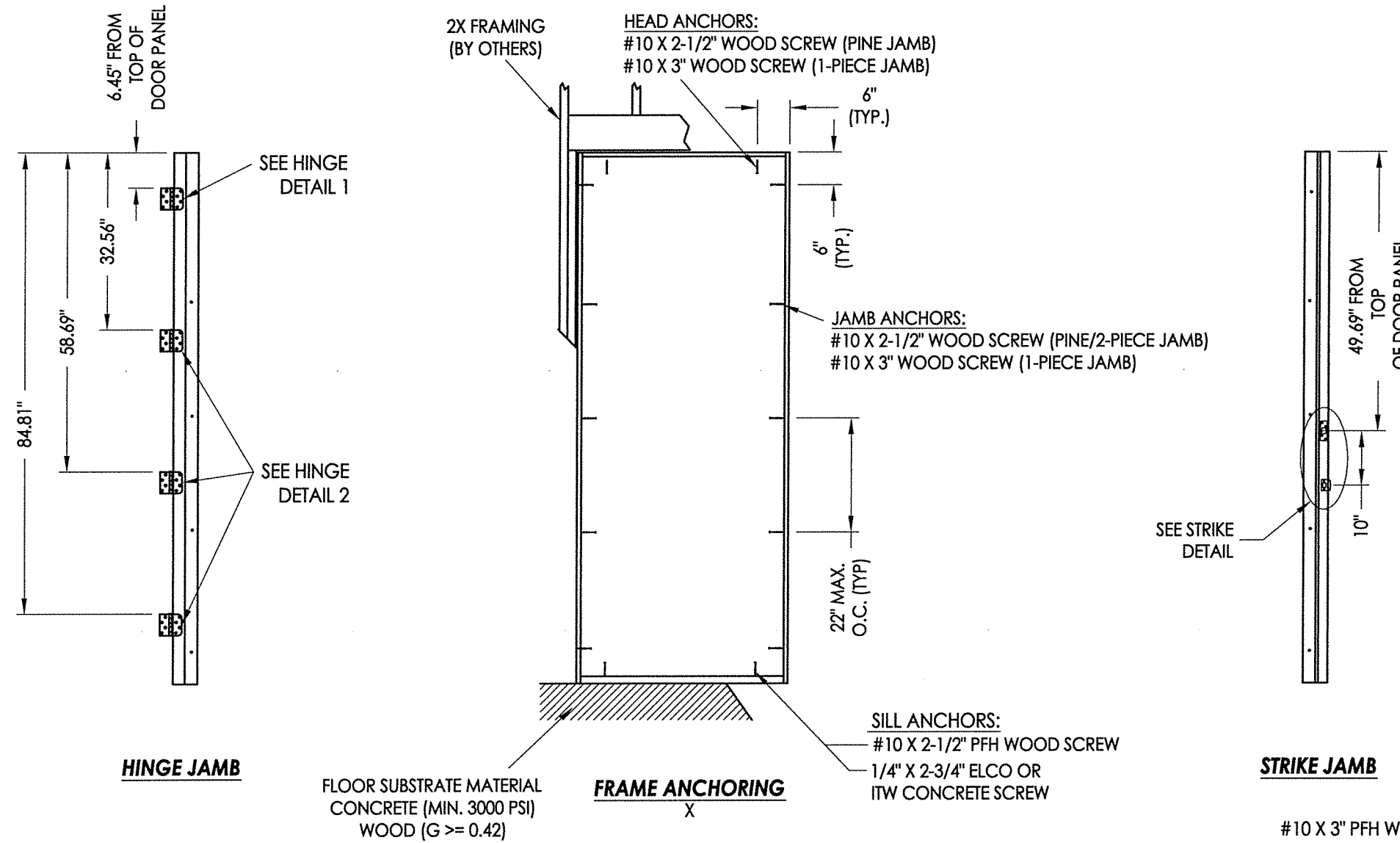
Documents Prepared By: Lyndon F. Schmidt, P.E.
TEXAS P.E. #104123

RW BUILDING CONSULTANTS, INC.
P.O. Box 230 Valrico FL 33595
Phone No.: 813.659.9197

TEXAS BOARD OF PROFESSIONAL ENGINEERS
CERTIFICATE OF REGISTRATION # F-11852

PRODUCT: ENDURA	
PART OR ASSEMBLY: VERTICAL CROSS SECTIONS	
NO.	DATE
3	9/16/19
2	11/07/18
1	10/25/16
REVISIONS	
ADD "FusionFrame" OPTION & UPDATE TO 2018 IBC/IRC CODE	LFS
REVISED TO INSERT GLAZED ONLY	LFS
ADDED THRESHOLDS	LFS
BY	
DATE: 12/5/13	
SCALE: N.T.S.	
DWG. BY: JK	
CHK. BY: LFS	
DRAWING NO.: TX-4418	
SHEET 4 OF 5	

© 2013 R.W. BUILDING CONSULTANTS INC.



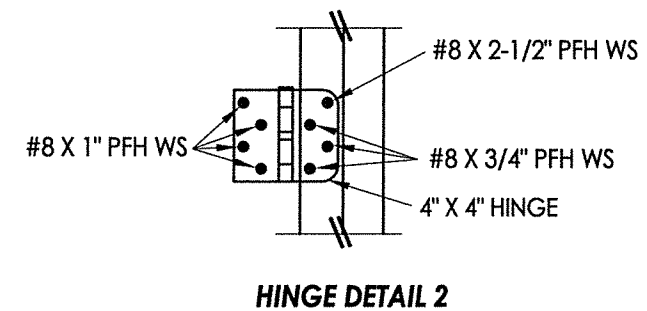
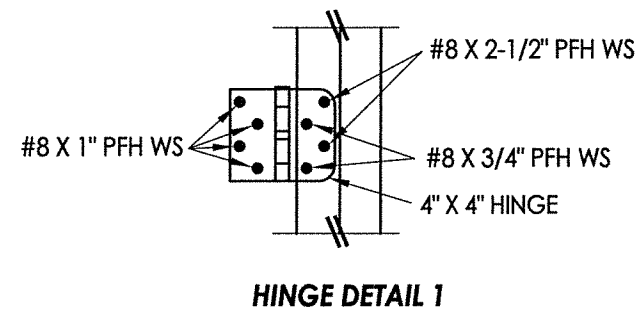
JAMB NOTES:

THE PINE OR "FusionFrame" 1-PIECE JAMB MAY BE INSTALLED @ THE HEAD OR SIDE JAMB.
THE FusionFrame" 2-PIECE JAMB MAY BE INSTALLED @ THE SIDE JAMBS ONLY.

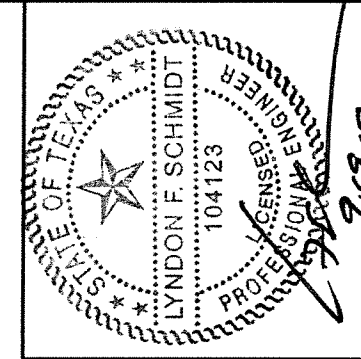
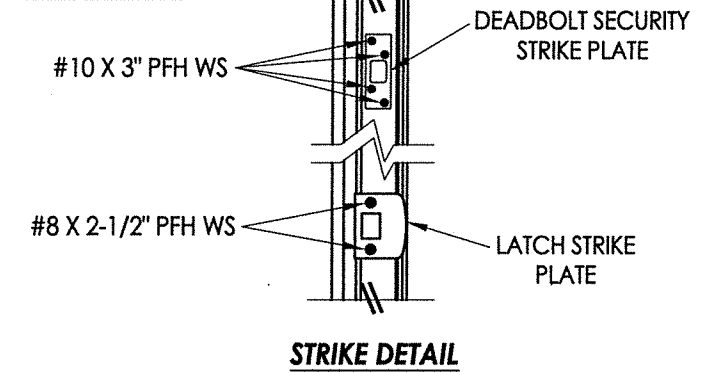
CONCRETE ANCHOR NOTES:

- Concrete anchor locations at the corners may be adjusted to maintain the min. edge distance to mortar joints.
- Concrete anchor locations noted as "MAX. ON CENTER" must be adjusted to maintain the min. edge distance to mortar joints, additional concrete anchors may be required to ensure the "MAX. ON CENTER" dimension are not exceeded.
- Concrete anchor table:

ANCHOR TYPE	ANCHOR SIZE	MIN. EMBEDMENT	MIN. CLEARANCE TO MASONRY EDGE	MIN. CLEARANCE TO ADJACENT ANCHOR
ITW TAPCON®	1/4"	1-3/4"	1-1/2"	4"
ELCO ULTRACON®	1/4"	1-3/4"	1"	4"



STRIKE JAMB



Documents Prepared By: Lyndon F. Schmidt, P.E.
TEXAS P.E. #104123

RW BUILDING CONSULTANTS, INC.
P.O. Box 230 Vaifco FL 33595
Phone No.: 813.659.9197

TEXAS BOARD OF PROFESSIONAL ENGINEERS
CERTIFICATE OF REGISTRATION # F-11852

PRODUCT:	ENDURA	
PART OR ASSEMBLY:	FRAME ANCHORING	
NO.	DATE	BY
3	9/16/19	LFS
2	11/07/18	LFS
1	10/25/16	LFS
REVISIONS		
DATE:	12/5/13	
SCALE:	N.T.S.	
DWG. BY:	JK	
CHK. BY:	LFS	
DRAWING NO.:	TX-4418	
SHEET	5	OF 5