

# Glazed Fiberglass Door

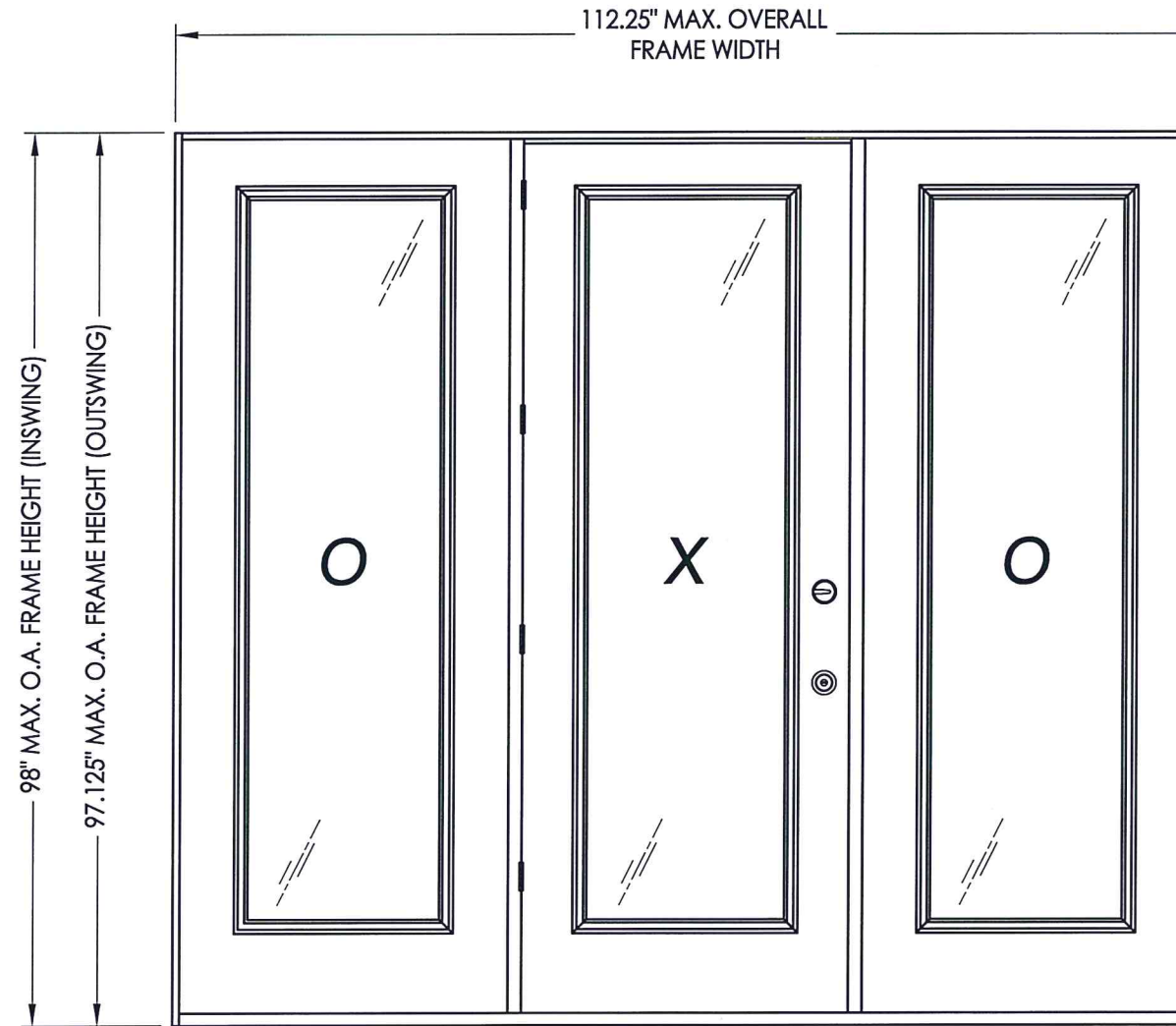
"NON-IMPACT"  
INSWING / OUTSWING

### EVALUATED FOR USE IN THE STATE OF TEXAS

The Glazed Fiberglass Door system described herein complies with the 2018 International Residential Code (IRC), Sections R301 & R609 and the 2018 International Building Code (IBC), Sections 1404.13, 1609, 1709.5, 2403 and 2404 subject to the following conditions:

1. Anchors shall be as listed and spaced as shown in the details. Anchor embedment to base material shall be beyond wall dressing or stucco.
2. When used in areas requiring wind-borne debris protection this product is required to be protected with an impact resistant covering that complies with Section R301.2.1.2 of the IRC and Section 1609.2 of the IBC.
3. Allowable design pressure requirements must be equal to or less than the design pressure rating shown in the design pressure chart, sheet 1 of this drawing.
4. Conditions not covered by this drawing are subject to further engineering analysis.

TABLE OF CONTENTS	
SHEET#	DESCRIPTION
1	Typical elevations, design pressures & general notes
2	Door panel details (lip lite insert glazing)
3	Slidelite panel details (lip lite insert glazing)
4	Horizontal cross sections
5	Vertical cross sections
6	Vertical cross sections
7	Frame anchoring



CONFIG.	MODEL	DESIGN PRESSURE (PSF)	
		POSITIVE	NEGATIVE
OXO	INSWING	+35.0	-35.0
OXO	OUTSWING	+35.0	-40.0



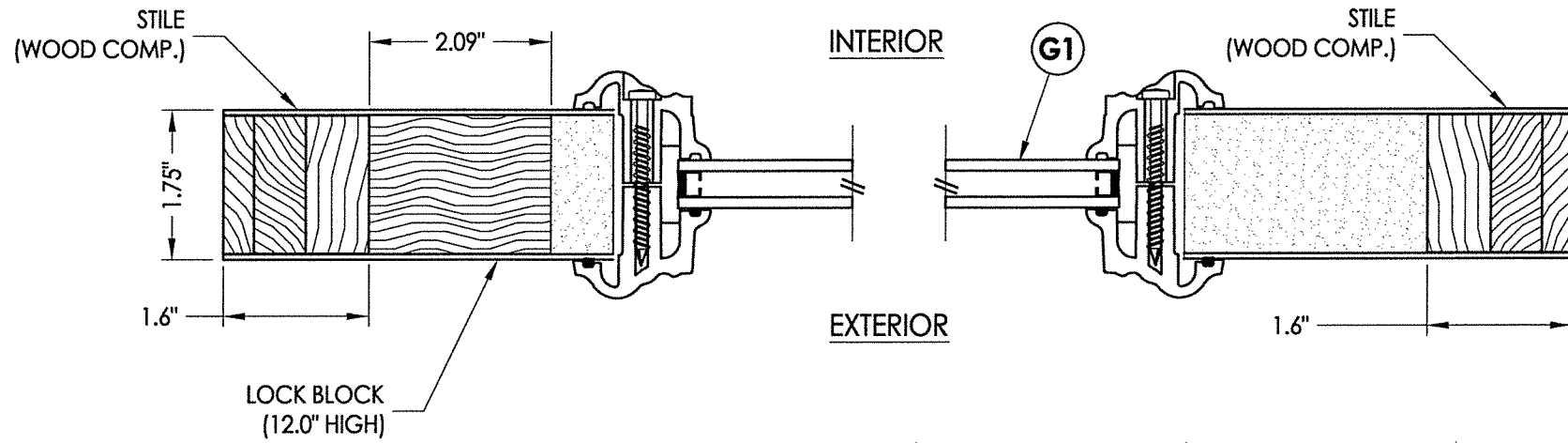
Documents Prepared By: Lyndon F. Schmidt, P.E.  
TEXAS P.E. #104123

**RW** BUILDING CONSULTANTS, INC.  
P.O. Box 230 Valrico FL 33595  
Phone No.: 813.659.9197  
TEXAS BOARD OF PROFESSIONAL ENGINEERS  
CERTIFICATE OF REGISTRATION # F-11852

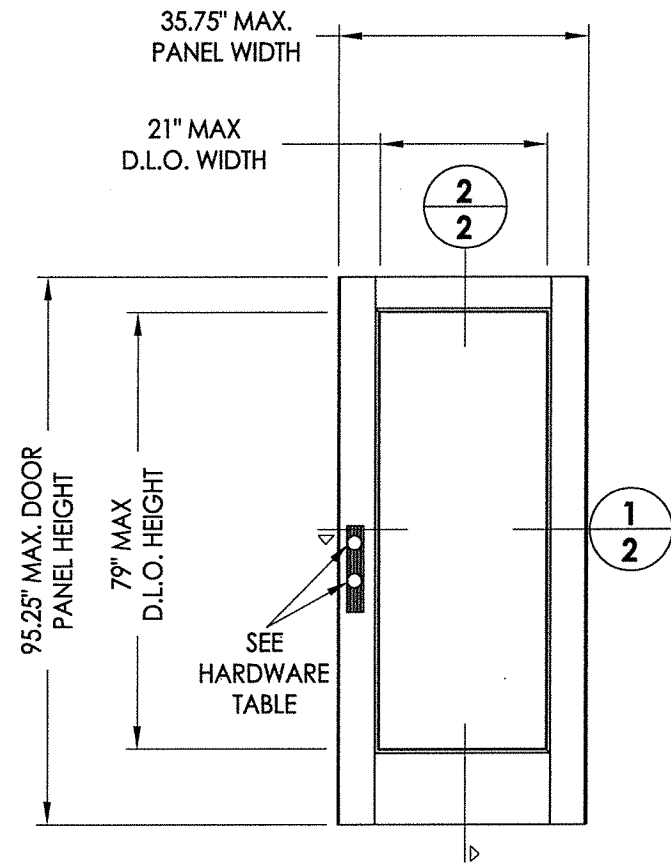
PRODUCT: ENDURA  
PART OR ASSEMBLY: TYPICAL ELEVATION, DESIGN PRESSURES & GENERAL NOTES

NO.	DATE	REVISIONS
4	9/16/19	ADD "FusionFrame" OPTION & UPDATE TO 2018 IBC/IRC CODE
3	11/07/18	REVISED TO INSERT GLAZED ONLY
2	10/25/16	ADDED THRESHOLDS
1	11/26/13	ADDED ARTICULATING SILL

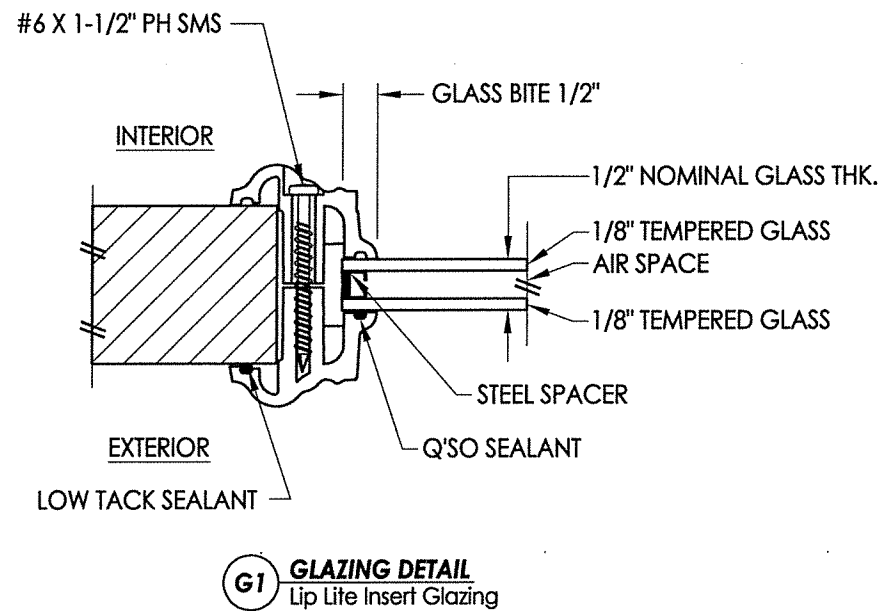
DATE: 7/03/12  
SCALE: N.T.S.  
DWG. BY: JK  
CHK. BY: LFS  
DRAWING NO.: TX-4167  
SHEET 1 OF 7



**1**  
**2** HORIZONTAL CROSS SECTION

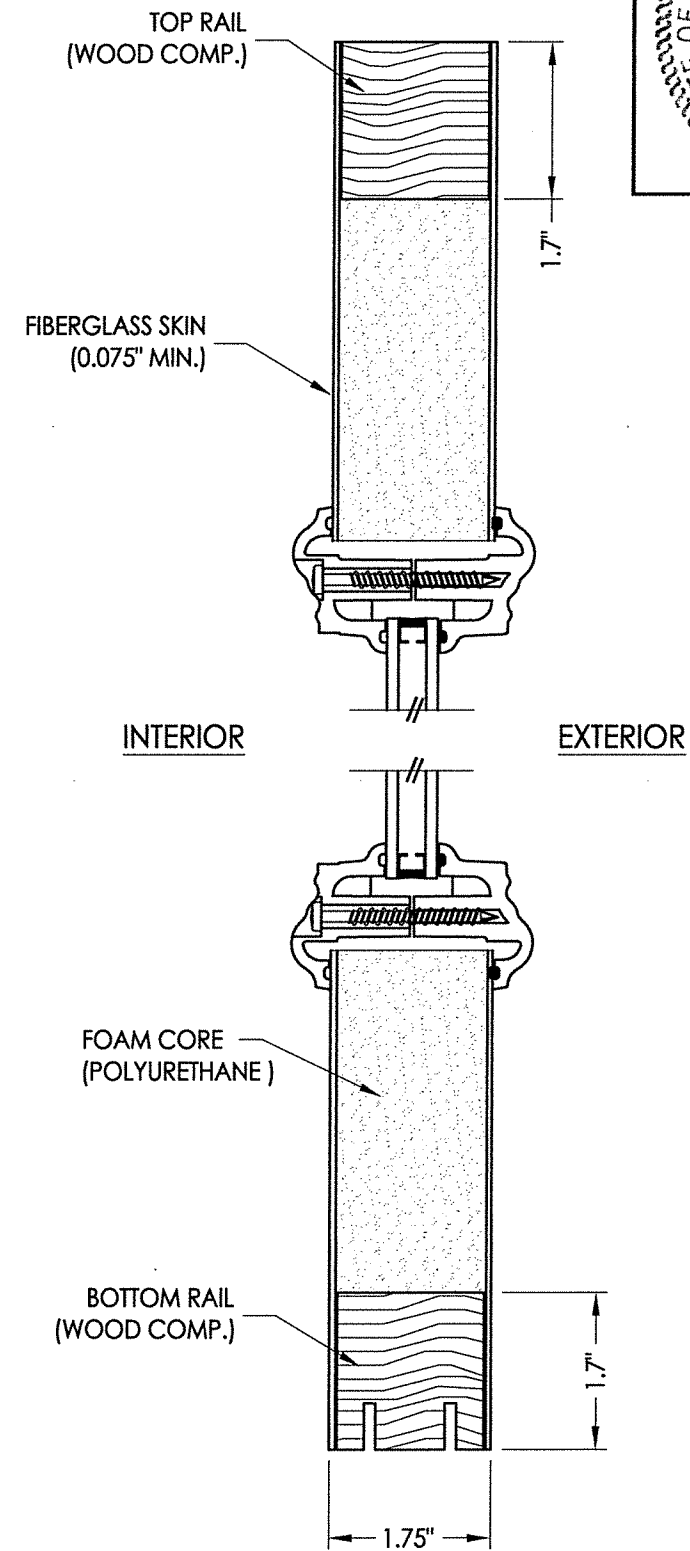


MASONITE  
Insert glazed  
(fiberglass)

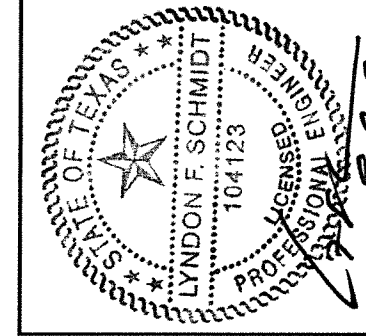


**G1** GLAZING DETAIL  
Lip Lite Insert Glazing

HARDWARE TABLE	
MANUFACTURER	MODEL
KWIKSET	LATCH: KWIKSET SIGNATURE SERIES (991) DEADBOLT: KWIKSET SIGNATURE SERIES (980/985)



**2**  
**2** VERTICAL CROSS SECTION



Documents Prepared By: Lyndon F. Schmidt, P.E.  
TEXAS P.E. #104123

**RW** BUILDING CONSULTANTS, INC.  
P.O. Box 230 Vairico FL 33595  
Phone No.: 813.659.9197  
TEXAS BOARD OF PROFESSIONAL ENGINEERS  
CERTIFICATE OF REGISTRATION # F-11852

PRODUCT: ENDURA  
PART OR ASSEMBLY:  
DOOR PANEL DETAILS  
(LIP LITE INSERT GLAZING)

NO.	DATE	REVISIONS
4	9/16/19	ADD "FusionFrame" OPTION & UPDATE TO 2018 IBC/IRC CODE
3	11/07/18	REVISED TO INSERT GLAZED ONLY
2	10/25/16	ADDED THRESHOLDS
1	11/26/13	ADDED ARTICULATING SILL

DATE: 7/03/12

SCALE: N.T.S.

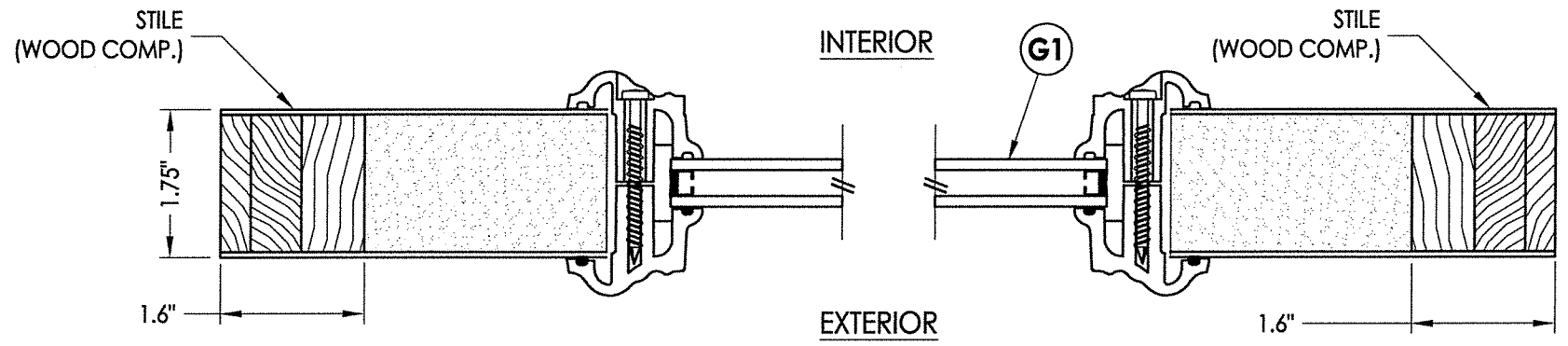
DWG. BY: JK

CHK. BY: LFS

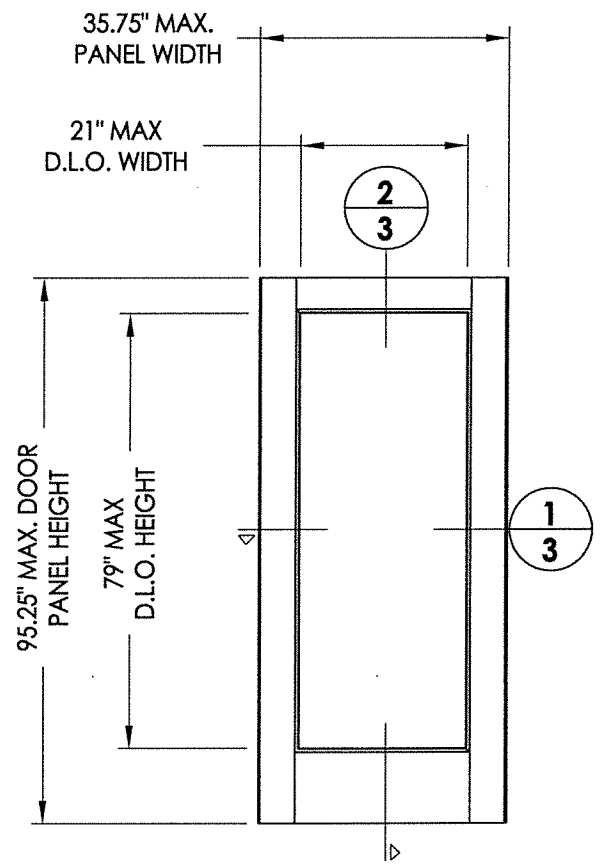
DRAWING NO.:

TX-4167

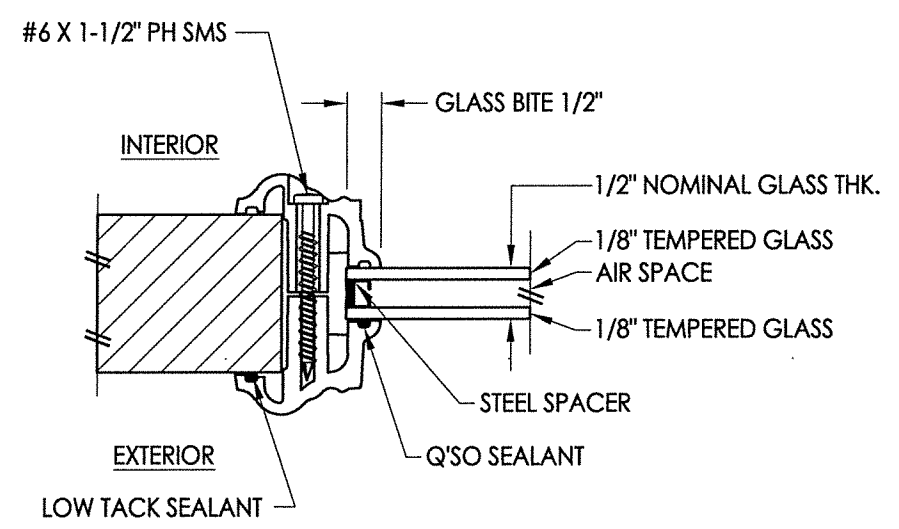
SHEET 2 OF 7



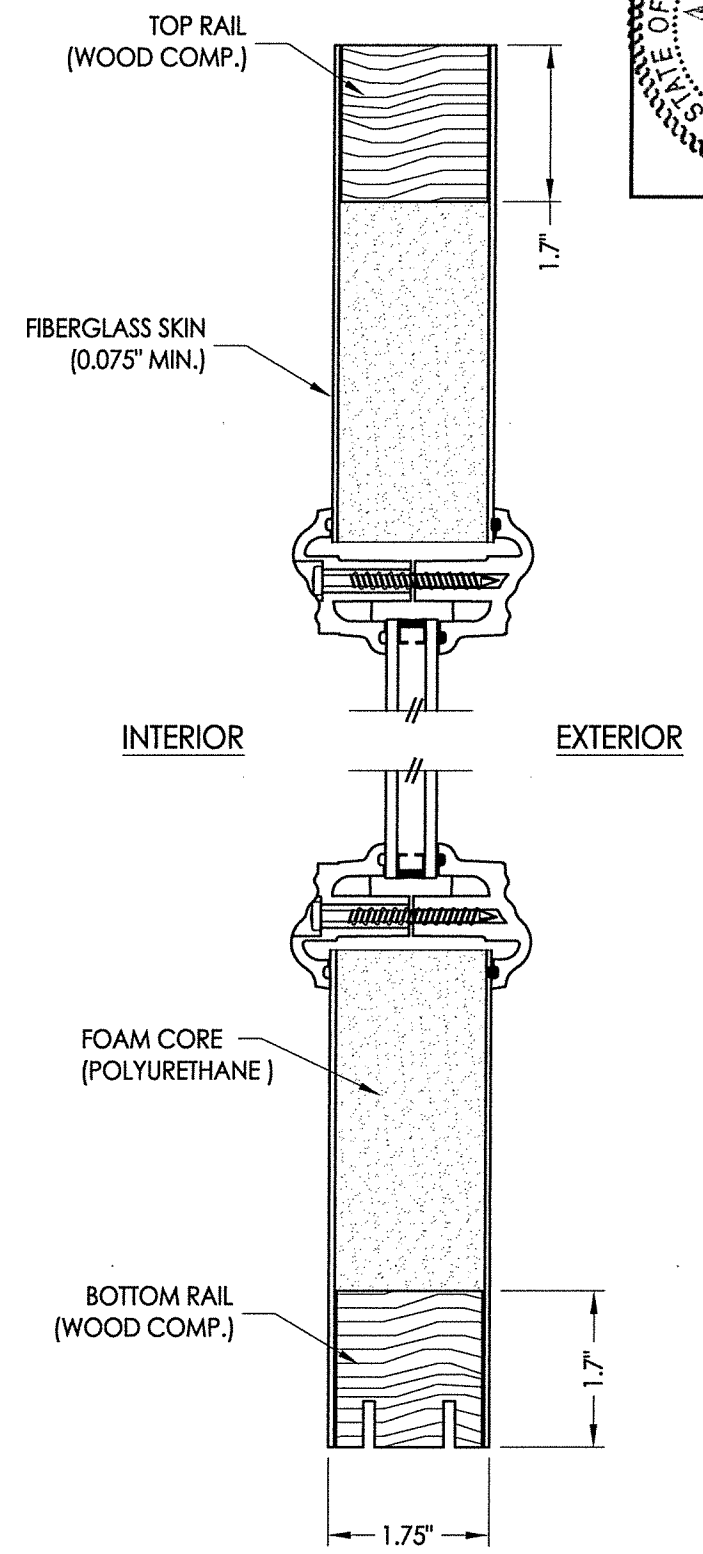
**1**  
**3** HORIZONTAL CROSS SECTION



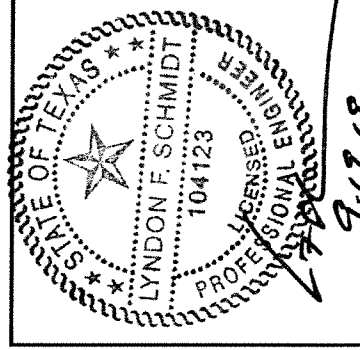
MASONITE  
Insert glazed  
(fiberglass)



**G1** GLAZING DETAIL  
Lip Lite Insert Glazing



**2**  
**3** VERTICAL CROSS SECTION



Documents Prepared By: Lyndon F. Schmidt, P.E.  
TEXAS P.E. #104123

**RW** BUILDING CONSULTANTS, INC.  
P.O. Box 230 Volrico FL 33595  
Phone No.: 813.659.9197

TEXAS BOARD OF PROFESSIONAL ENGINEERS  
CERTIFICATE OF REGISTRATION # F-11852

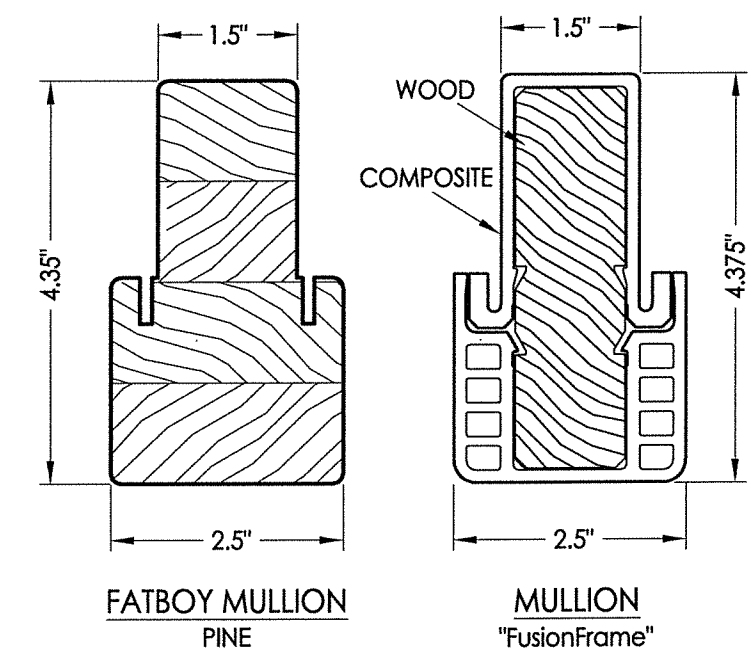
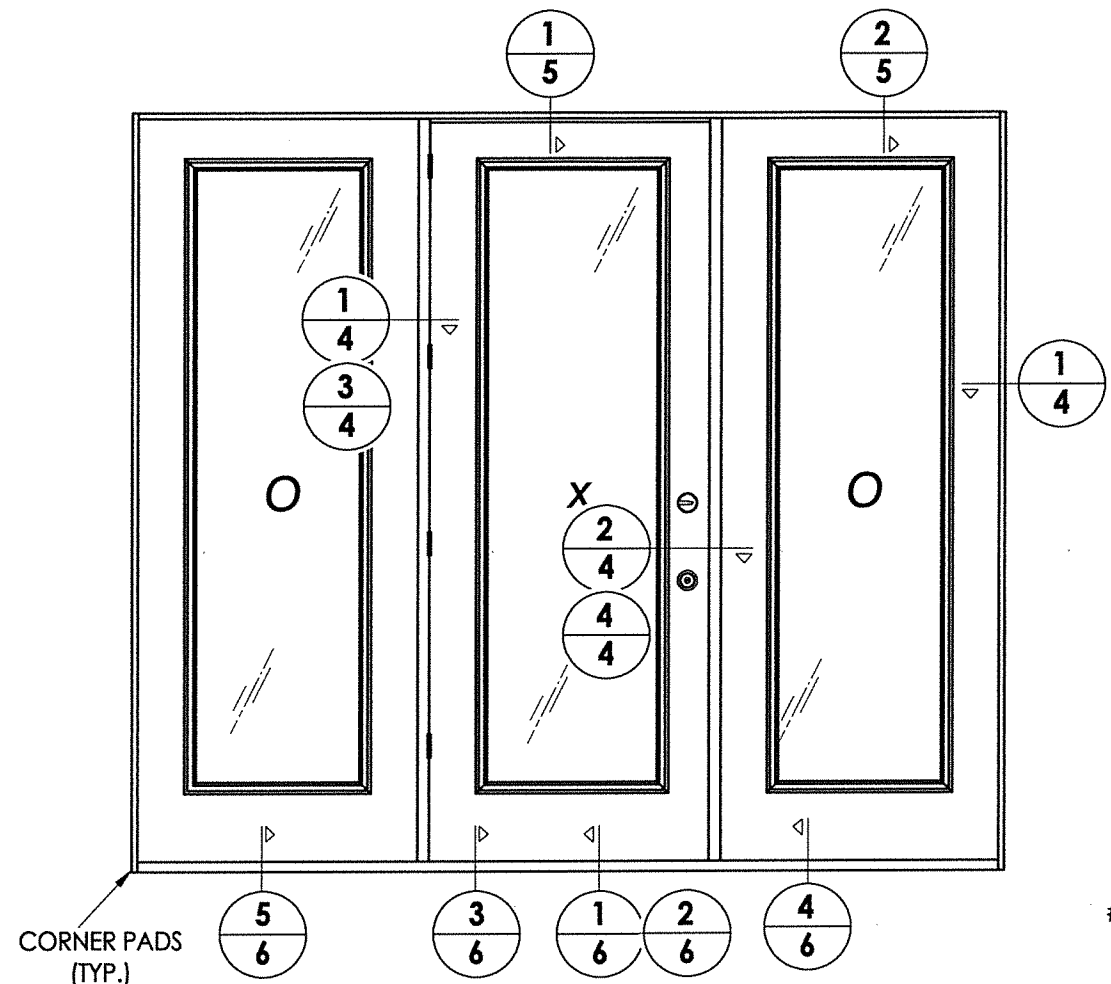
PRODUCT: ENDURA

PART OR ASSEMBLY:  
SIDELITE PANEL DETAILS  
(LIP LITE INSERT GLAZING)

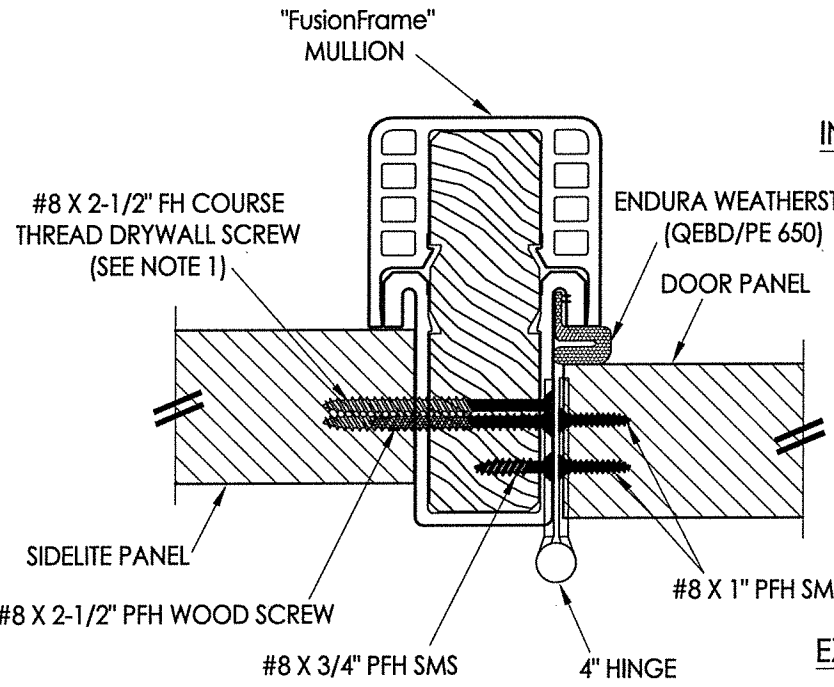
NO.	DATE	REVISIONS
4	9/16/19	ADD "FusionFrame" OPTION & UPDATE TO 2018 IBC/IRC CODE
3	11/07/18	REVISED TO INSERT GLAZED ONLY
2	10/25/16	ADDED THRESHOLDS
1	11/26/13	ADDED ARTICULATING SILL
		BY

DATE: 7/03/12  
SCALE: N.T.S.  
DWG. BY: JK  
CHK. BY: LFS  
DRAWING NO.: TX-4167  
SHEET 3 OF 7

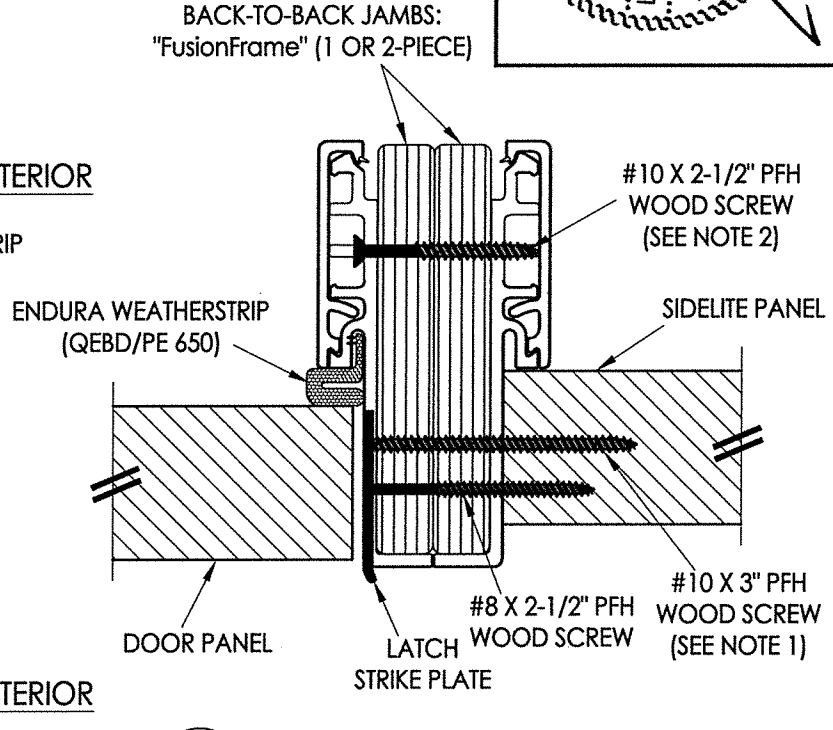
R:\Clients\Endura PERMANENT\B - Texas Dept of Ins\TDI - DR-570 (Exp. 11-1-17)\C - Drawings\REV 2018 Insert Glazed\TX-4166-67.dwg, 4.4



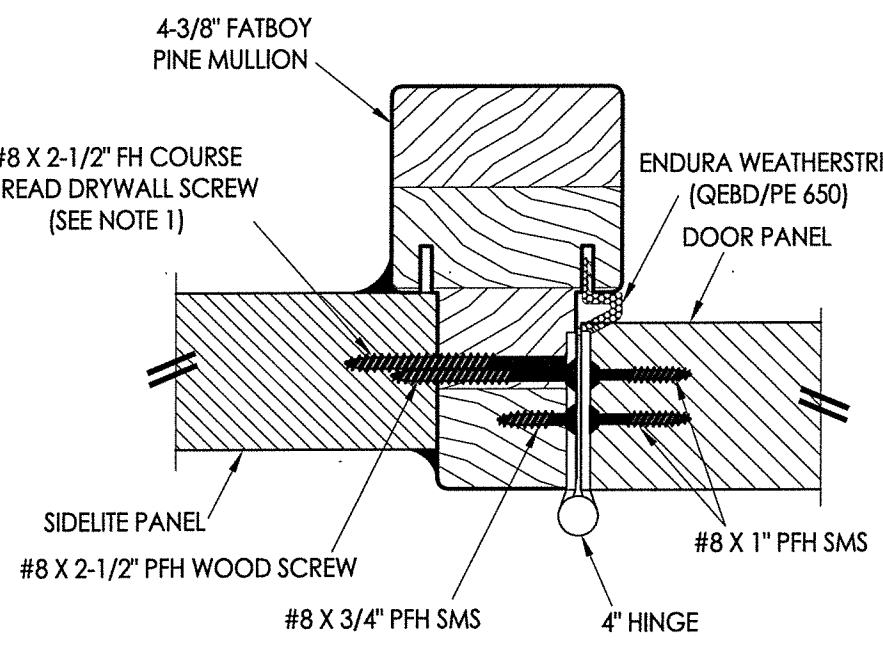
**NOTES:**  
 1. Spacing for sidelite screws: 6.5", 35.5", 57.25" and 85" from head to sill (4 total).  
 2. Spacing for mullion screws: 6" from each end plus 3 more equally spaced (5 total).



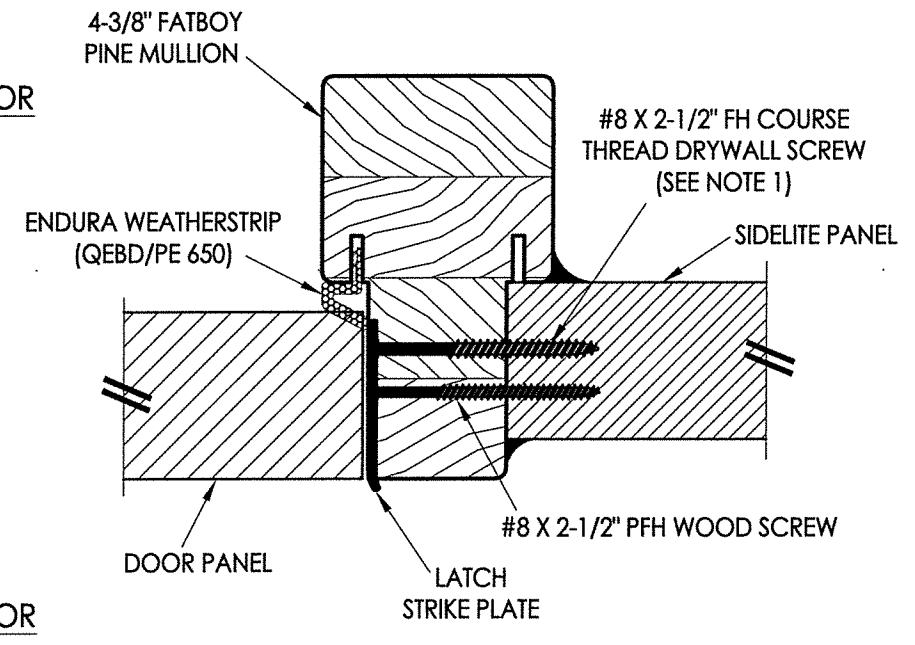
**3 HORIZONTAL CROSS SECTION**  
 4 Outswing shown - Inswing also approved



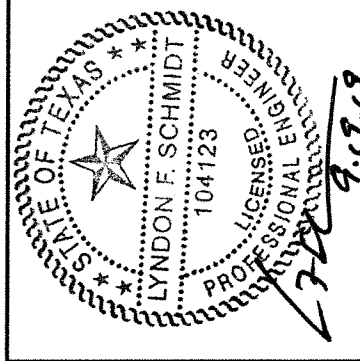
**4 HORIZONTAL CROSS SECTION**  
 4 Outswing shown - Inswing also approved



**1 HORIZONTAL CROSS SECTION**  
 4 Outswing shown - Inswing also approved



**2 HORIZONTAL CROSS SECTION**  
 4 Outswing shown - Inswing also approved



Documents Prepared By: Lyndon F. Schmidt, P.E.  
 TEXAS P.E. #104123

**RW** BUILDING CONSULTANTS, INC.  
 P.O. Box 230 Valrico FL 33595  
 Phone No.: 813.659.9197

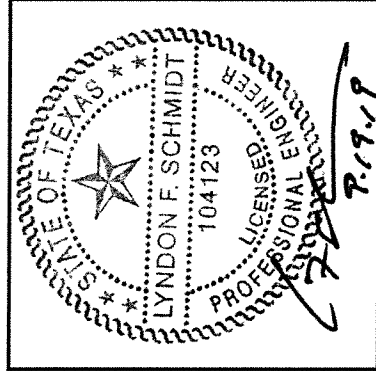
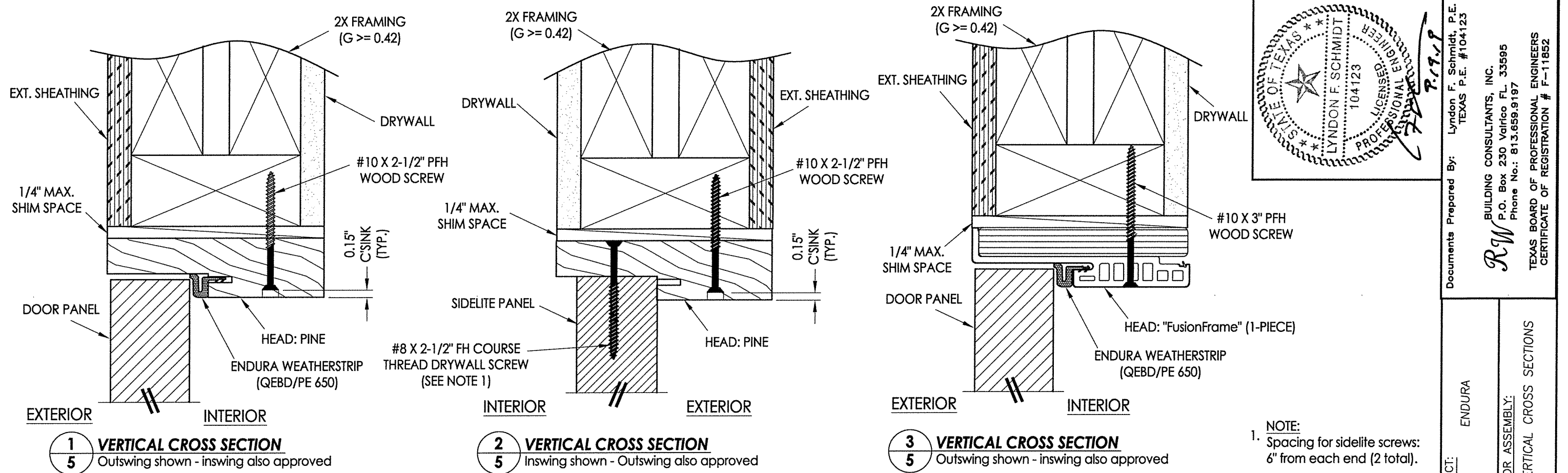
TEXAS BOARD OF PROFESSIONAL ENGINEERS  
 CERTIFICATE OF REGISTRATION # F-11852

PRODUCT:	ENDURA
	FIBERGLASS DOOR
	HORIZONTAL CROSS SECTIONS

NO.	DATE	REVISIONS
4	9/16/19	ADD "FusionFrame" OPTION & UPDATE TO 2018 IBC/IRC CODE
3	11/07/18	REVISED TO INSERT GLAZED ONLY
2	10/25/16	ADDED THRESHOLDS
1	11/26/13	ADDED ARTICULATING SILL
	NO.	DATE
		BY

DATE:	7/03/12
SCALE:	N.T.S.
DWG. BY:	JK
CHK. BY:	LFS
DRAWING NO.:	TX-4167
SHEET	4 OF 7

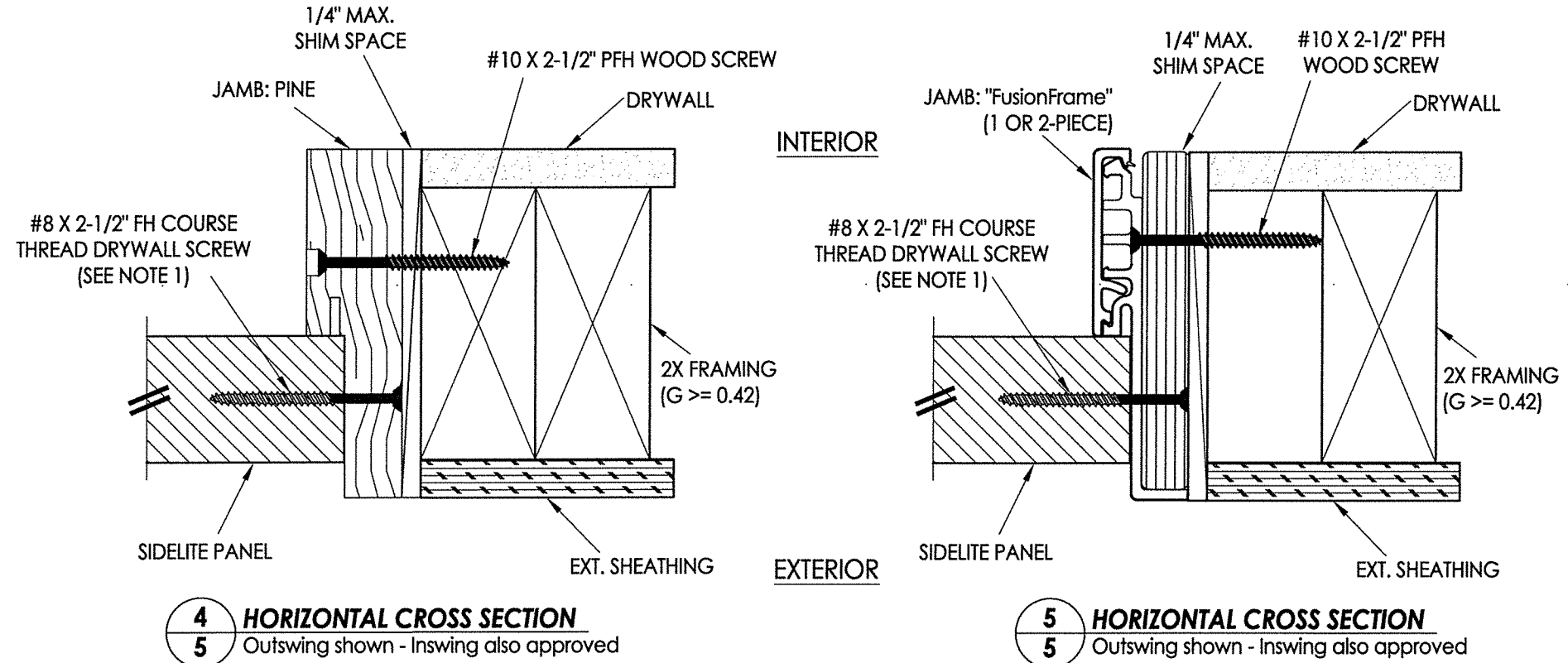
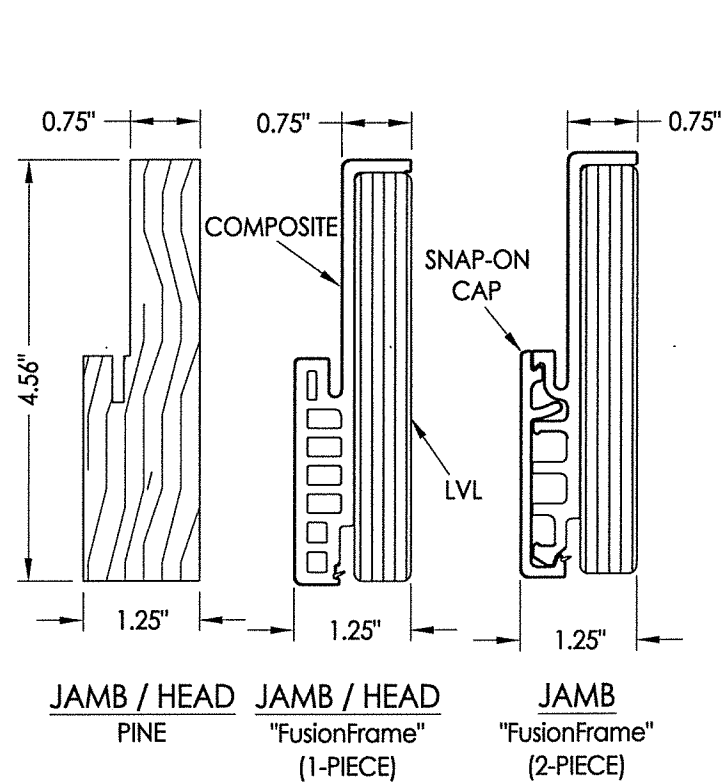
© 2012 R.W. BUILDING CONSULTANTS INC.



Documents Prepared By: Lyndon F. Schmidt, P.E.  
TEXAS P.E. #104123

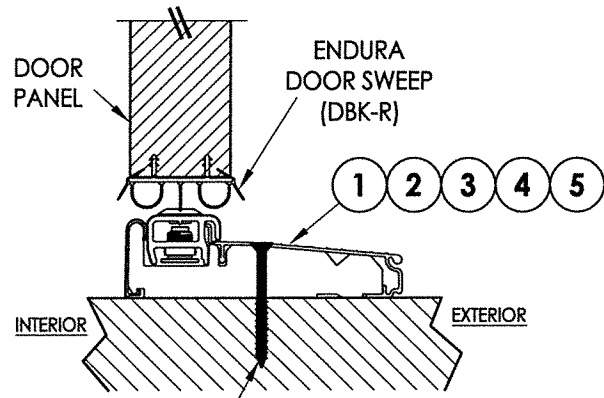
RW BUILDING CONSULTANTS, INC.  
P.O. Box 230 Valrico FL, 33595  
Phone No.: 813.659.9197

TEXAS BOARD OF PROFESSIONAL ENGINEERS  
CERTIFICATE OF REGISTRATION # F-11852



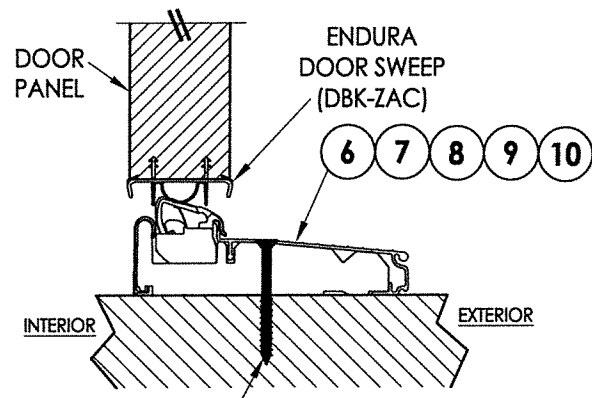
PRODUCT:	ENDURA	
PART OR ASSEMBLY:	VERTICAL CROSS SECTIONS	
NO.	DATE	BY
4	9/16/19	LFS
3	11/07/18	LFS
2	10/25/16	LFS
1	11/26/13	LFS
REVISIONS		
DATE:	7/03/12	
SCALE:	N.T.S.	
DWG. BY:	JK	
CHK. BY:	LFS	
DRAWING NO.:	TX-4167	
SHEET	5 OF 7	

R:\Clients\Endura PERMANENT\B - Texas Dept of Ins\TDI - DR-570 (Exp. 11-1-17)\C - Drawings\REV 2018 Insert Glazed\TX-4166-67.dwg, 6.4



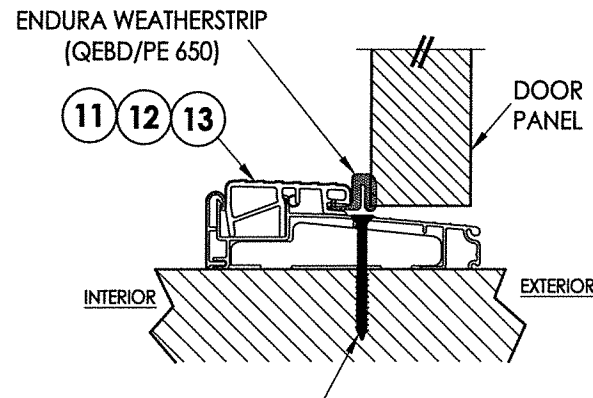
#10 X 2.5" PFH WOOD SCREW OR  
1/4" X 2-3/4" ELCO OR ITW CONCRETE SCREW

**1** VERTICAL CROSS SECTION  
**6** Inswing Adjustable Threshold



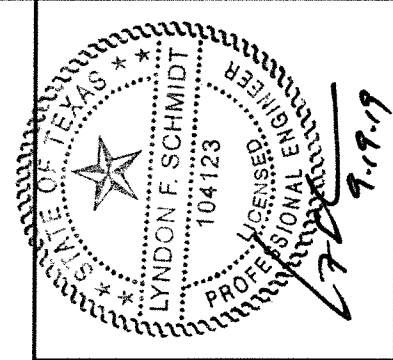
#10 X 2.5" PFH WOOD SCREW OR  
1/4" X 2-3/4" ELCO OR ITW CONCRETE SCREW

**2** VERTICAL CROSS SECTION  
**6** Inswing Articulating Threshold

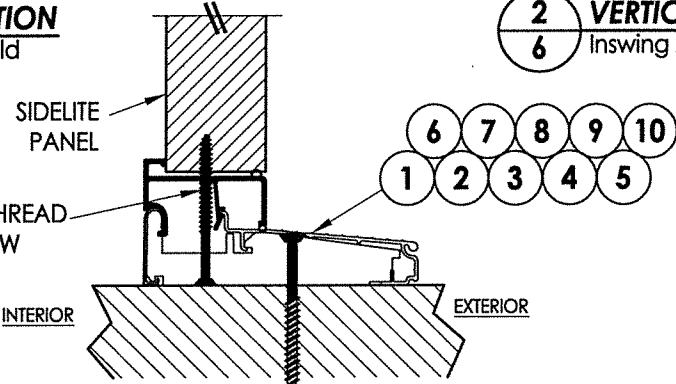


#10 X 2.5" PFH WOOD SCREW OR  
1/4" X 2-3/4" ELCO OR ITW CONCRETE SCREW

**3** VERTICAL CROSS SECTION  
**6** Outswing Bump Threshold



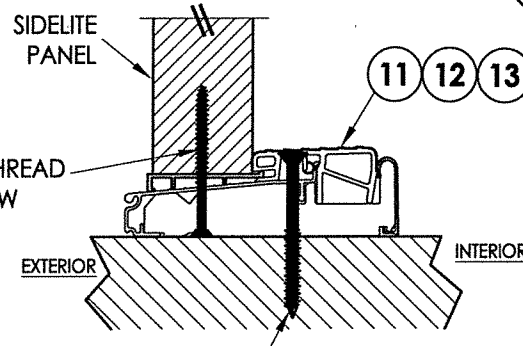
NOTE:  
1. Spacing for sidelite screws:  
6" from each end (2 total).



#8 X 2.5" COURSE THREAD  
DRYWALL SCREW  
(SEE NOTE 1)

#10 X 2.5" PFH WOOD SCREW OR  
1/4" X 2-3/4" ELCO OR ITW CONCRETE SCREW

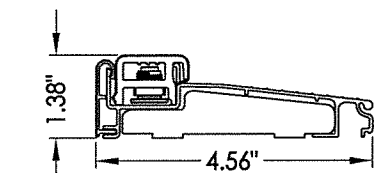
**4** VERTICAL CROSS SECTION  
**6** Inswing configuration



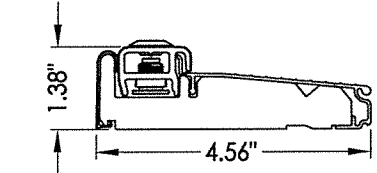
#8 X 2.5" COURSE THREAD  
DRYWALL SCREW  
(SEE NOTE 1)

#10 X 2.5" PFH WOOD SCREW OR  
1/4" X 2-3/4" ELCO OR ITW CONCRETE SCREW

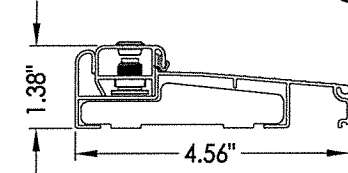
**5** VERTICAL CROSS SECTION  
**6** Outswing configuration



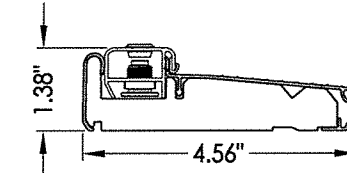
**1** INSWING ADJUSTABLE THRESHOLD  
ZAIL4565



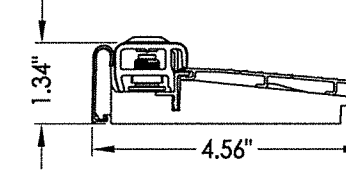
**2** INSWING ADJUSTABLE THRESHOLD  
ZAI4565FN



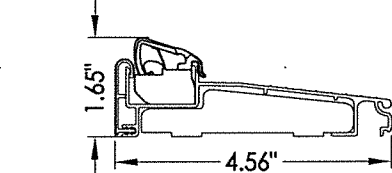
**3** INSWING ADJUSTABLE THRESHOLD  
ZAILAA4565



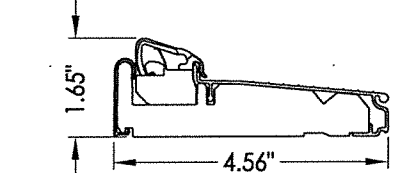
**4** INSWING ADJUSTABLE THRESHOLD  
ZAIAA4565FN



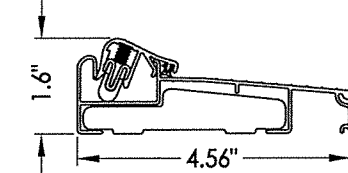
**5** INSWING ADJUSTABLE THRESHOLD  
ZAI4565RDS



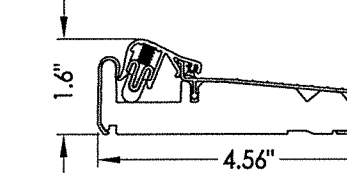
**6** INSWING ARTICULATING THRESHOLD  
ZACL4565



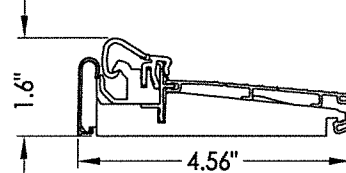
**7** INSWING ARTICULATING THRESHOLD  
ZAC4565FN



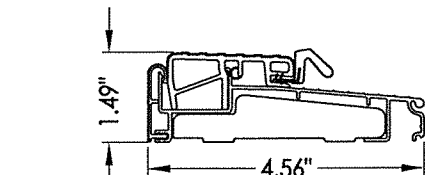
**8** INSWING ARTICULATING THRESHOLD  
ZACLAA4565



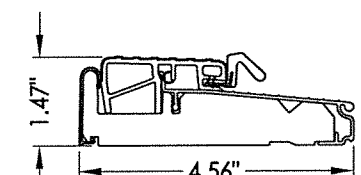
**9** INSWING ARTICULATING THRESHOLD  
ZACAA4565FN



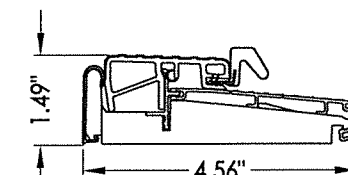
**10** INSWING ARTICULATING THRESHOLD  
ZAC4565RDS



**11** OUTSWING THRESHOLD  
ZOBL4565



**12** OUTSWING THRESHOLD  
ZOB4565FN

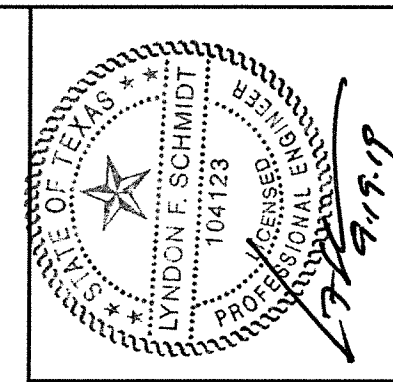
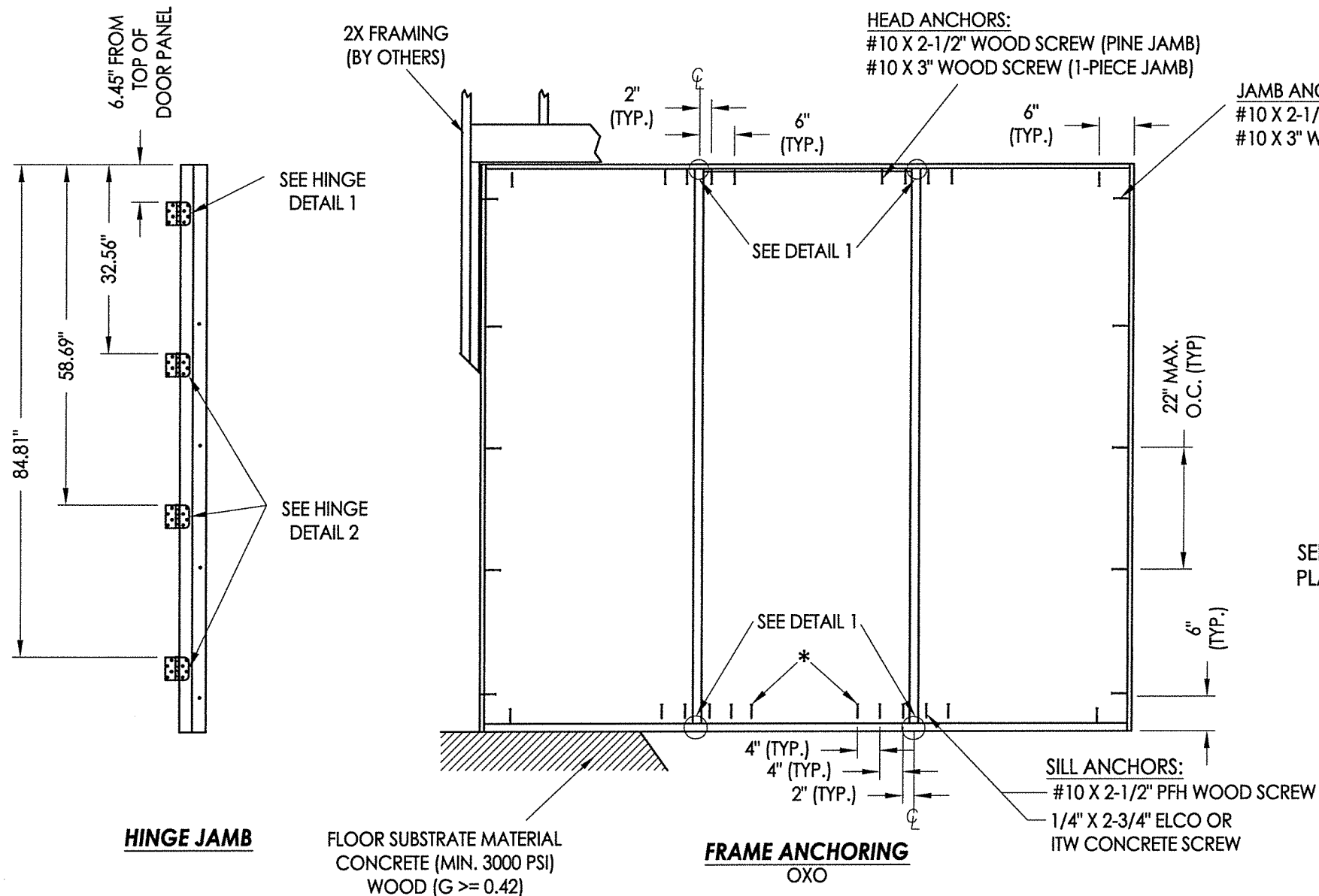


**13** OUTSWING THRESHOLD  
ZOB4565RDS

Documents Prepared By: Lyndon F. Schmidt, P.E. TEXAS P.E. #104123		PRODUCT: ENDURA	
R.W. BUILDING CONSULTANTS, INC. P.O. Box 230 Valrico FL 33595 Phone No.: 813.659.9197		FIBERGLASS DOOR	
TEXAS BOARD OF PROFESSIONAL ENGINEERS CERTIFICATE OF REGISTRATION # F-11852		PART OR ASSEMBLY: VERTICAL CROSS SECTIONS	
4	9/16/19	ADD "FusionFrame" OPTION & UPDATE TO 2018 IBC/IRC CODE	LFS
3	11/07/18	REVISED TO INSERT GLAZED ONLY	LFS
2	10/25/16	ADDED THRESHOLDS	LFS
1	11/26/13	ADDED ARTICULATING SILL	LFS
	NO. DATE		BY
			REVISIONS
DATE: 7/03/12			
SCALE: N.T.S.			
DWG. BY: JK			
CHK. BY: LFS			
DRAWING NO.: TX-4167			
SHEET 6 OF 7			

© 2012 R.W. BUILDING CONSULTANTS INC.

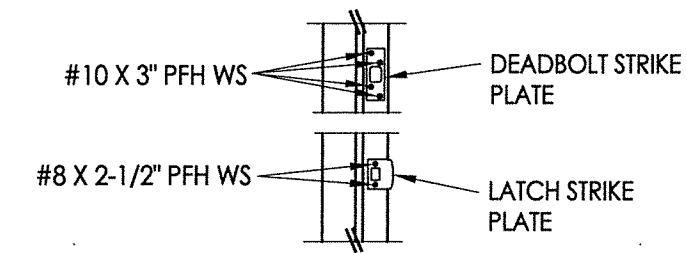
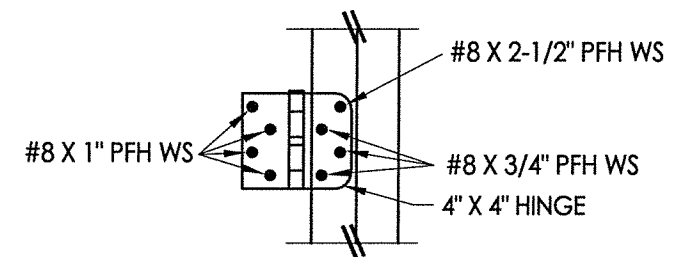
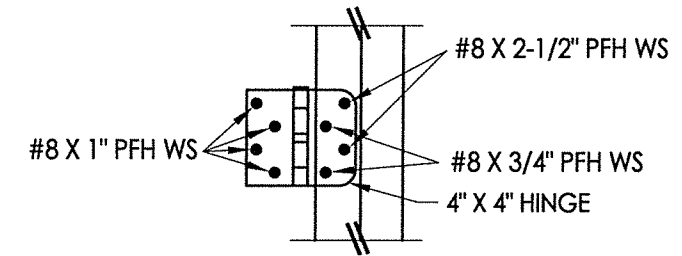
R:\Clients\Endura PERMANENT\B - Texas Dept of Ins\TDI - DR-570 (Exp. 11-1-17)\C - Drawings\REV 2018 Insert Glazed\TX-4166-67.dwg, 7.4



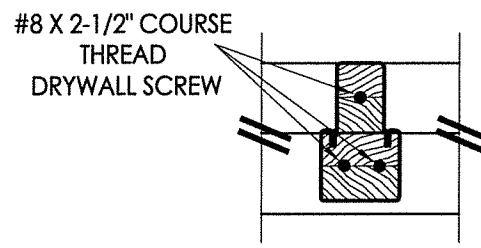
Documents Prepared By: Lyndon F. Schmidt, P.E.  
TEXAS P.E. #104123

**RW** BUILDING CONSULTANTS, INC.  
P.O. Box 230 Valrico FL 33595  
Phone No.: 813.659.9197

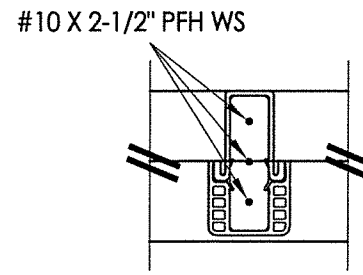
TEXAS BOARD OF PROFESSIONAL ENGINEERS  
CERTIFICATE OF REGISTRATION # F-11852



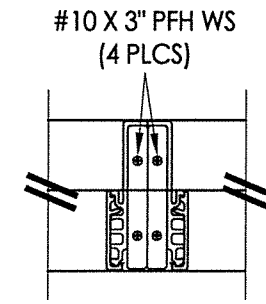
\* NOTE: THESE ANCHORS ARE NOT REQUIRED FOR D.P. < 40 PSF.



INTEGRAL MULLION ATTACHMENT PINE MULLION



INTEGRAL MULLION ATTACHMENT "FusionFrame" MULLION



INTEGRAL MULLION ATTACHMENT "FusionFrame" BACK-TO-BACK JAMBS

**JAMB NOTES:**

THE PINE OR "FusionFrame" 1-PIECE JAMB MAY BE INSTALLED @ THE HEAD OR SIDE JAMB. THE FusionFrame" 2-PIECE JAMB MAY BE INSTALLED @ THE SIDE JAMBS ONLY.

**INTEGRAL MULLION NOTES:**

THE FATBOY PINE MULLION, "FusionFrame" MULLION, OR THE "FusionFrame" BACK-TO-BACK JAMB (1-PIECE OR 2-PIECE) MAY ALL BE USED AS THE INTEGRAL MULLION.

**CONCRETE ANCHOR NOTES:**

- Concrete anchor locations at the corners may be adjusted to maintain the min. edge distance to mortar joints.
- Concrete anchor locations noted as "MAX. ON CENTER" must be adjusted to maintain the min. edge distance to mortar joints, additional concrete anchors may be required to ensure the "MAX. ON CENTER" dimension are not exceeded.
- Concrete anchor table:

ANCHOR TYPE	ANCHOR SIZE	MIN. EMBEDMENT	MIN. CLEARANCE TO MASONRY EDGE	MIN. CLEARANCE TO ADJACENT ANCHOR
ITW TAPCON®	1/4"	1-3/4"	1-1/2"	4"
ELCO ULTRACON®	1/4"	1-3/4"	1"	4"

PRODUCT:	ENDURA		
REVISIONS			
NO.	DATE	BY	
4	9/16/19	ADD "FusionFrame" OPTION & UPDATE TO 2018 IBC/IRC CODE	LFS
3	11/07/18	REVISED TO INSERT GLAZED ONLY	LFS
2	10/25/16	ADDED THRESHOLDS	LFS
1	11/26/13	ADDED ARTICULATING SILL	LFS
PART OR ASSEMBLY:			FRAME ANCHORING

DATE: 7/03/12  
SCALE: N.T.S.  
DWG. BY: JK  
CHK. BY: LFS  
DRAWING NO.: TX-4167  
SHEET 7 OF 7