



Glazed Fiberglass Door

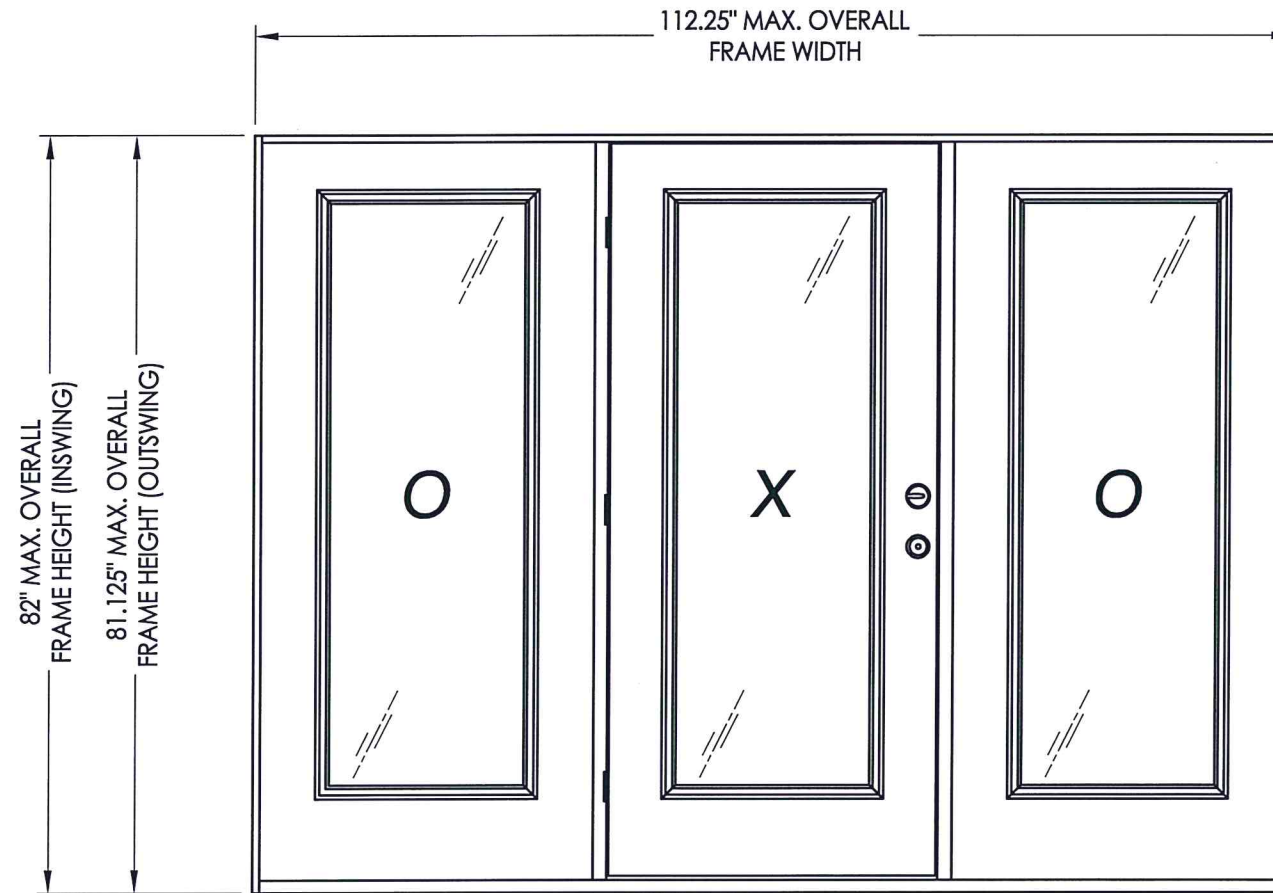
"NON-IMPACT"
IN SWING / OUT SWING

EVALUATED FOR USE IN THE STATE OF TEXAS

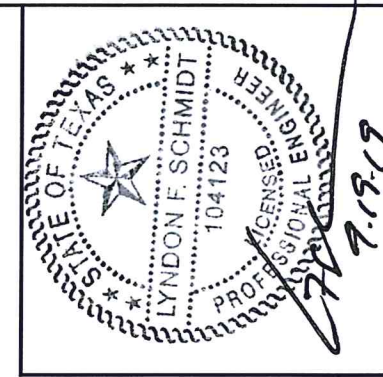
The Glazed Fiberglass Door system described herein complies with the 2018 International Residential Code (IRC), Sections R301 & R609 and the 2018 International Building Code (IBC), Sections 1404.13, 1609, 1709.5, 2403 and 2404 subject to the following conditions:

1. Anchors shall be as listed and spaced as shown in the details. Anchor embedment to base material shall be beyond wall dressing or stucco.
2. When used in areas requiring wind-borne debris protection this product is required to be protected with an impact resistant covering that complies with Section R301.2.1.2 of the IRC and Section 1609.2 of the IBC.
3. Allowable design pressure requirements must be equal to or less than the design pressure rating shown in the design pressure chart, sheet 1 of this drawing.
4. Conditions not covered by this drawing are subject to further engineering analysis.

TABLE OF CONTENTS	
SHEET#	DESCRIPTION
1	Typical elevations, design pressures & general notes
2	Door panel details (lip lite insert glazing)
3	Slidelite panel details (lip lite insert glazing)
4	Horizontal cross sections
5	Vertical cross sections
6	Vertical cross sections
7	Frame anchoring



CONFIG.	MODEL	DESIGN PRESSURE (PSF)	
		POSITIVE	NEGATIVE
OXO	IN SWING	+40.0	-45.0
OXO	OUT SWING	+45.0	-45.0



Documents Prepared By: Lyndon F. Schmidt, P.E.
TEXAS P.E. #104123

RW BUILDING CONSULTANTS, INC.
P.O. Box 230 Valrico FL 33595
Phone No.: 813.659.9197
TEXAS BOARD OF PROFESSIONAL ENGINEERS
CERTIFICATE OF REGISTRATION # F-11852

PRODUCT: ENDURA
PART OR ASSEMBLY: TYPICAL ELEVATION, DESIGN PRESSURES & GENERAL NOTES

NO.	DATE	REVISIONS
4	9/16/19	ADD "FusionFrame" OPTION & UPDATE TO 2018 IRC/IBC CODE
3	11/07/18	REVISED TO INSERT GLAZED ONLY
2	10/25/16	ADDED THRESHOLDS/REVISED DP
1	11/26/13	ADDED ARTICULATING SILL

DATE: 7/03/12

SCALE: N.T.S.

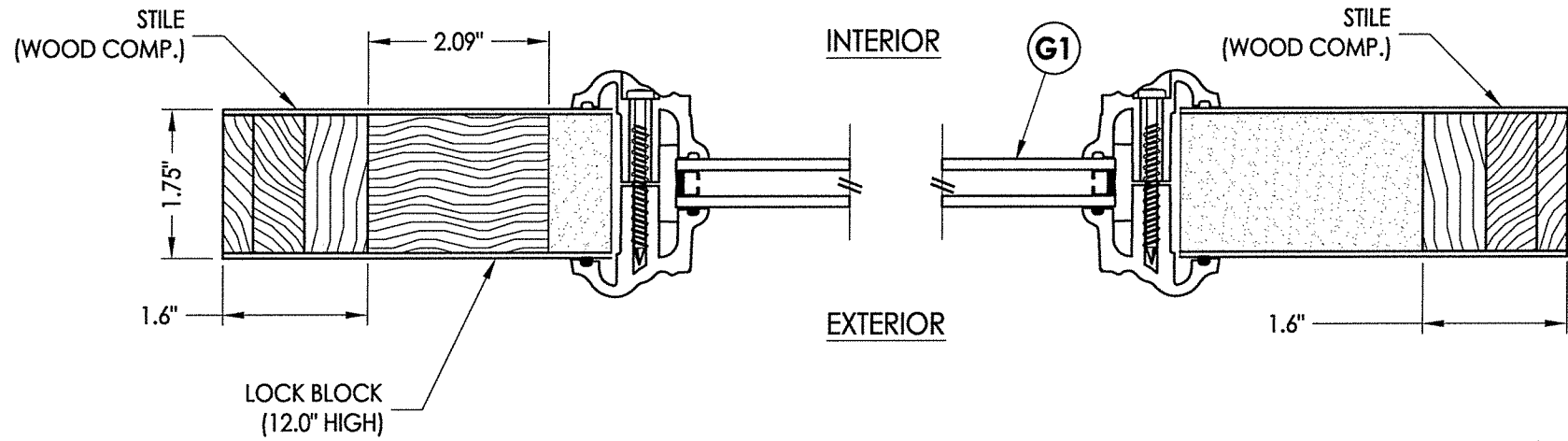
DWG. BY: JK

CHK. BY: LFS

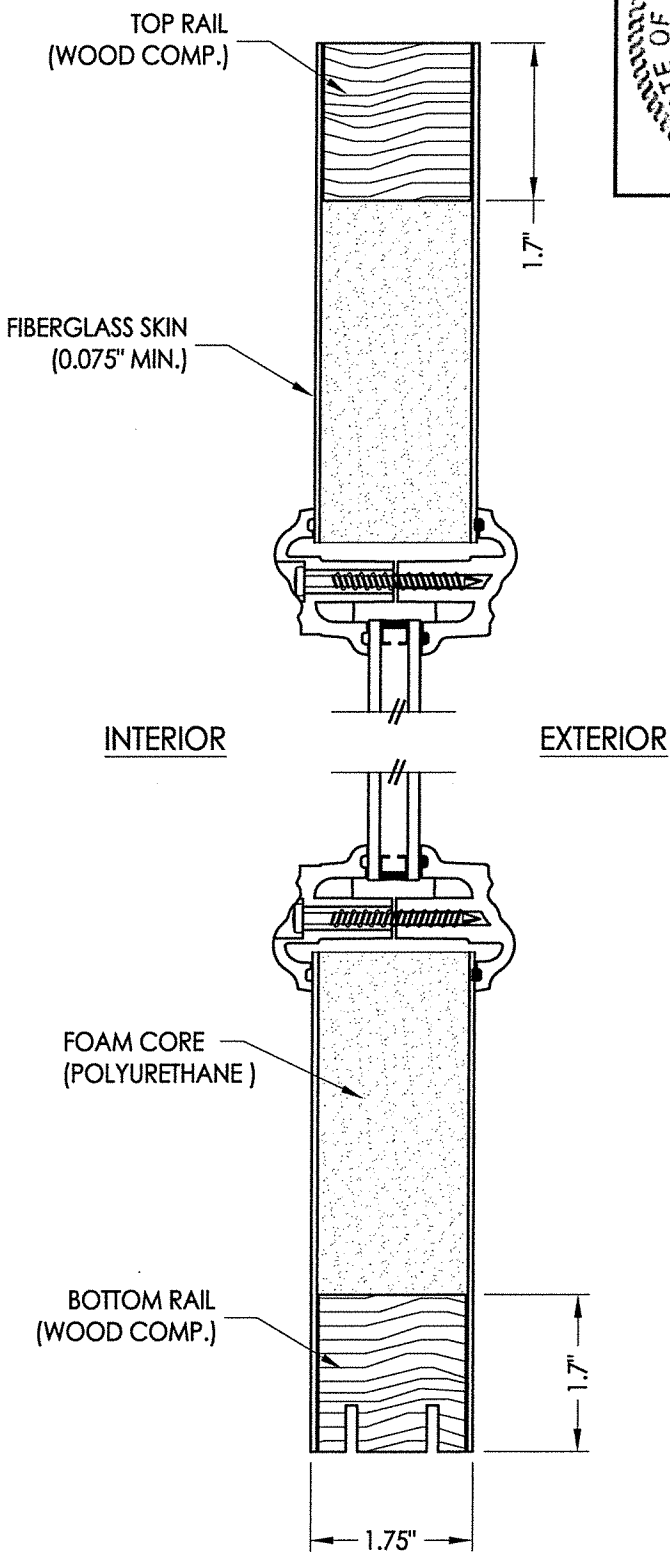
DRAWING NO.: TX-4166

SHEET 1 OF 7

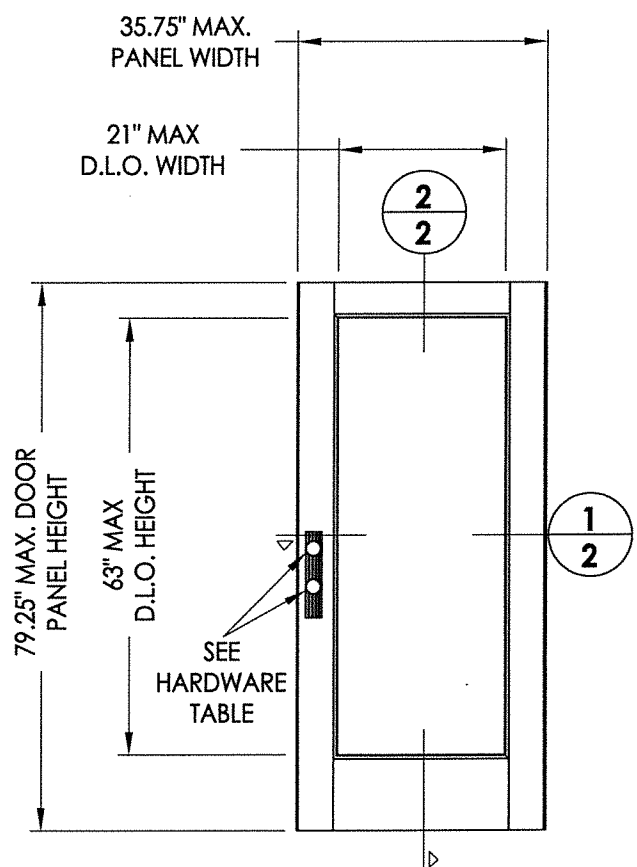
R:\Clients\Endura PERMANENT\B - Texas Dept of Ins\TDI - DR-570 (Exp. 11-1-17)\C - Drawings\REV 2018 Insert Glazed\TX-4166-67.dwg, 2.3



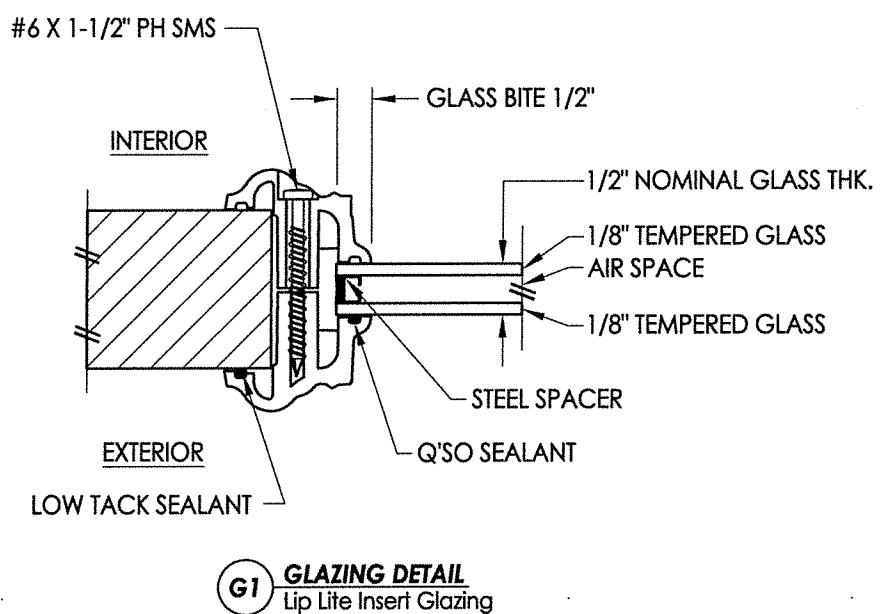
1
2 HORIZONTAL CROSS SECTION



2
2 VERTICAL CROSS SECTION

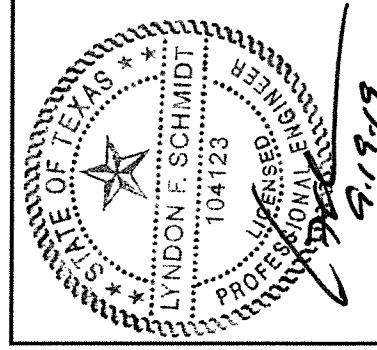


MASONITE
Insert glazed
(fiberglass)



G1 GLAZING DETAIL
Lip Lite Insert Glazing

HARDWARE TABLE	
MANUFACTURER	MODEL
KWIKSET	LATCH: KWIKSET SIGNATURE SERIES (991) DEADBOLT: KWIKSET SIGNATURE SERIES (980/985)



Documents Prepared By: Lyndon F. Schmidt, P.E.
TEXAS P.E. #104123

RW BUILDING CONSULTANTS, INC.
P.O. Box 230 Vairico FL. 33595
Phone No.: 813.659.9197

TEXAS BOARD OF PROFESSIONAL ENGINEERS
CERTIFICATE OF REGISTRATION # F-11852

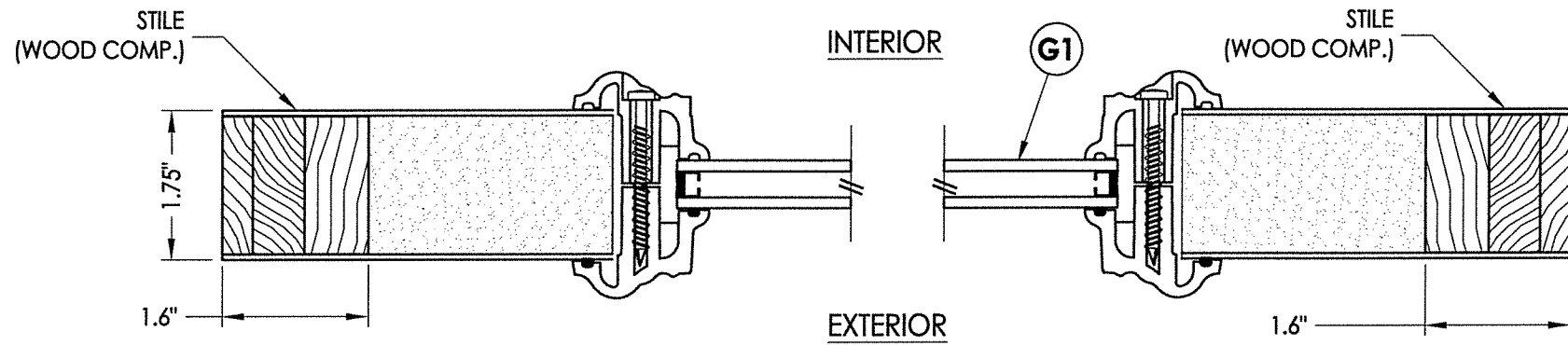
PRODUCT: ENDURA

PART OR ASSEMBLY:
DOOR PANEL DETAILS
(LIP LITE INSERT GLAZING)

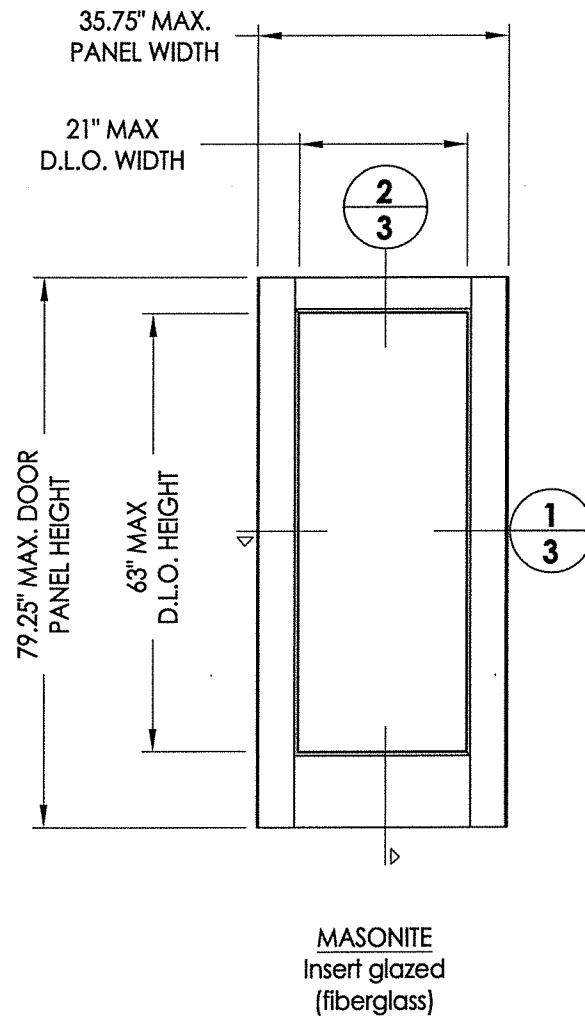
NO.	DATE	REVISIONS	BY
4	9/16/19	ADD "FusionFrame" OPTION & UPDATE TO 2018 IBC/IRC CODE	LFS
3	11/07/18	REVISED TO INSERT GLAZED ONLY	LFS
2	10/25/16	ADDED THRESHOLDS/REVISED DP	LFS
1	11/26/13	ADDED ARTICULATING SILL	LFS

DATE: 7/03/12
SCALE: N.T.S.
DWG. BY: JK
CHK. BY: LFS
DRAWING NO.: TX-4166
SHEET 2 OF 7

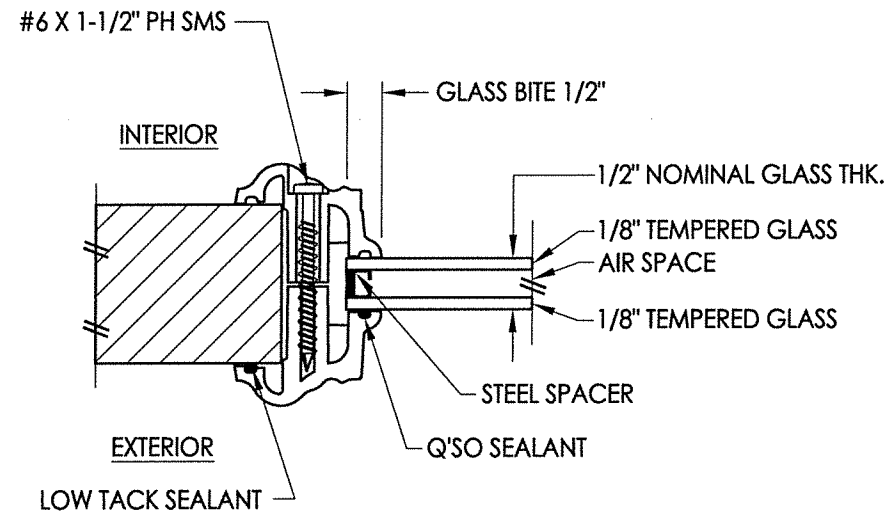
R:\Clients\Endura PERMANENT\B - Texas Dept of Ins\TDI - DR-570 (Exp. 11-1-17)\C - Drawings\REV 2018 Insert Glazed\TX-4166-67.dwg, 3.3



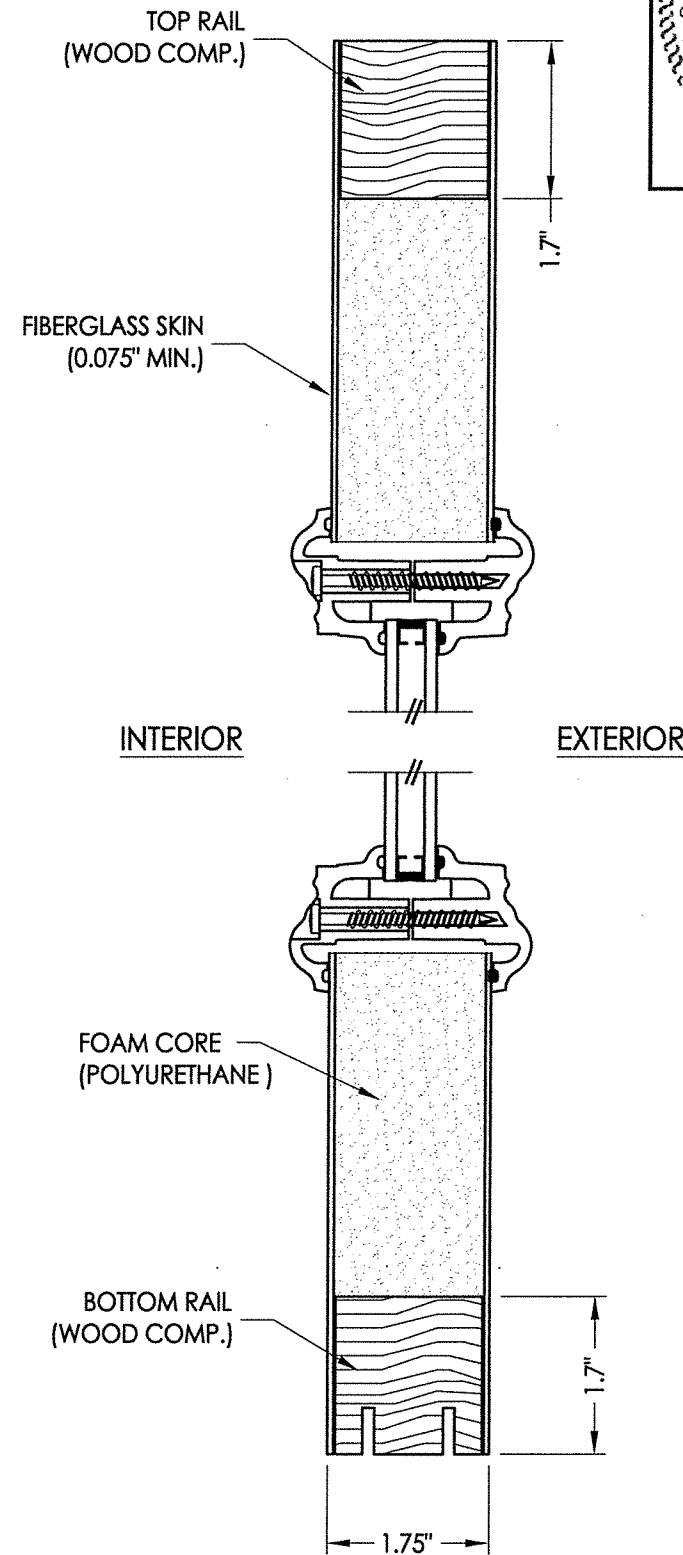
1
3 HORIZONTAL CROSS SECTION



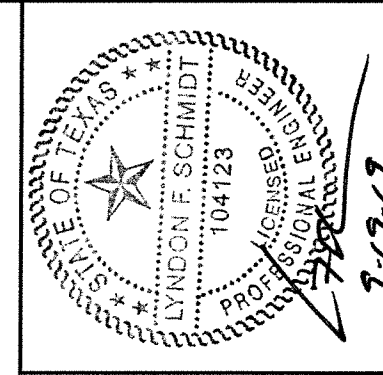
MASONITE
Insert glazed
(fiberglass)



G1 GLAZING DETAIL
Lip Lite Insert Glazing



2
3 VERTICAL CROSS SECTION

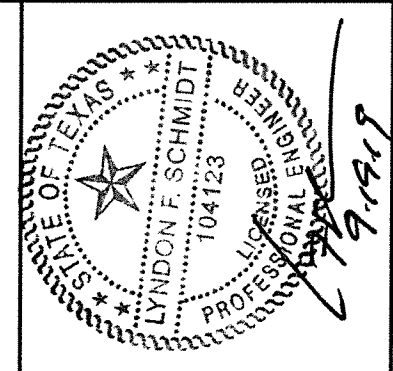
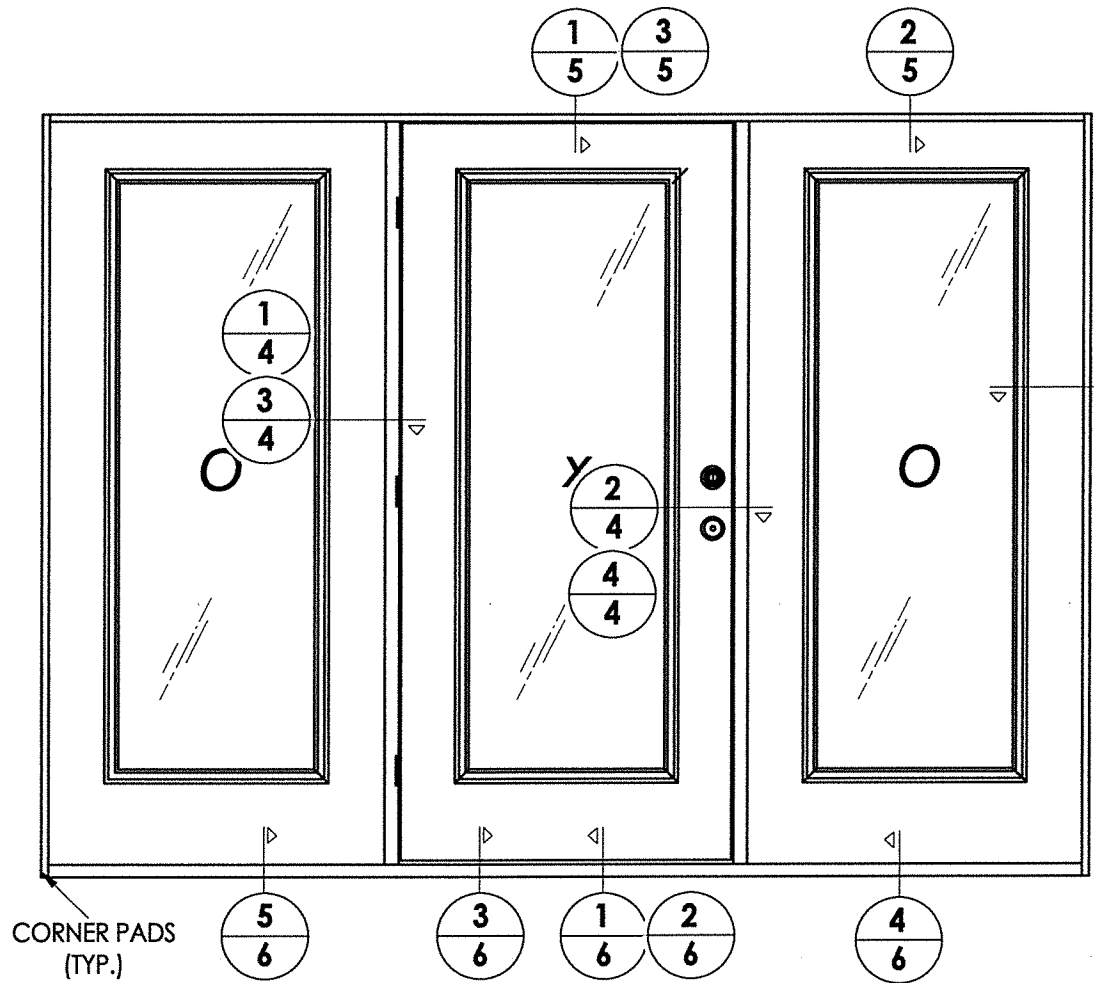


Documents Prepared By: Lyndon F. Schmidt, P.E.
TEXAS P.E. #104123

RW BUILDING CONSULTANTS, INC.
P.O. Box 230 Valrico FL, 33595
Phone No.: 813.659.9197
TEXAS BOARD OF PROFESSIONAL ENGINEERS
CERTIFICATE OF REGISTRATION # F-11852

PRODUCT:		ENDURA	
4	9/16/19	ADD "FusionFrame" OPTION & UPDATE TO 2018 IBC/IRC CODE	LFS
3	11/07/18	REVISED TO INSERT GLAZED ONLY	LFS
2	10/25/16	ADDED THRESHOLDS/REVISED DP	LFS
1	11/26/13	ADDED ARTICULATING SILL	LFS
NO.	DATE	REVISIONS	BY
DATE: 7/03/12			
SCALE: N.T.S.			
DWG. BY: JK			
CHK. BY: LFS			
DRAWING NO.: TX-4166			
SHEET 3 OF 7			

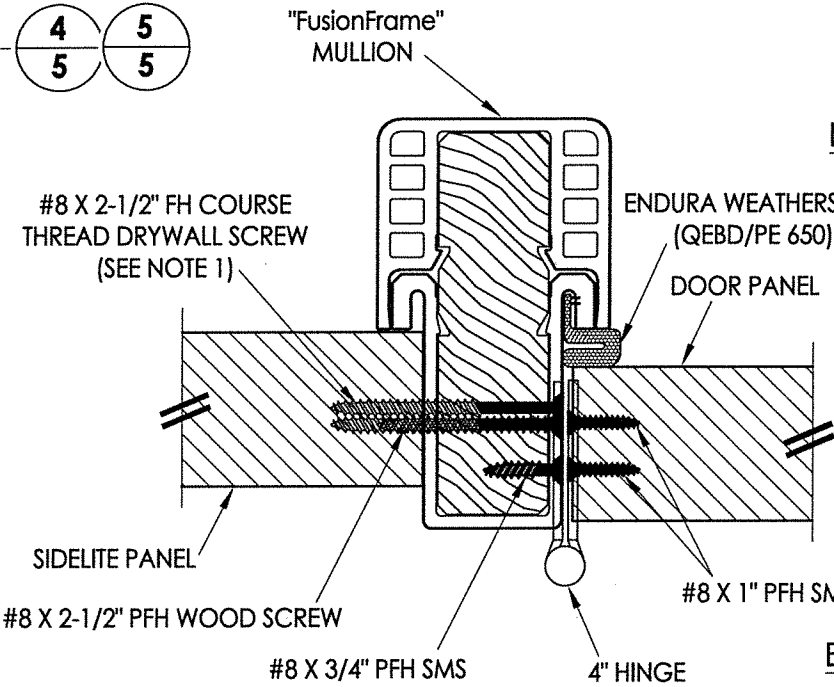
R:\Clients\Endura PERMANENT\B - Texas Dept of Ins\TDI - DR-570 (Exp. 11-1-17)\C - Drawings\REV 2018 Insert Glazed\TX-4166-67.dwg, 4.3



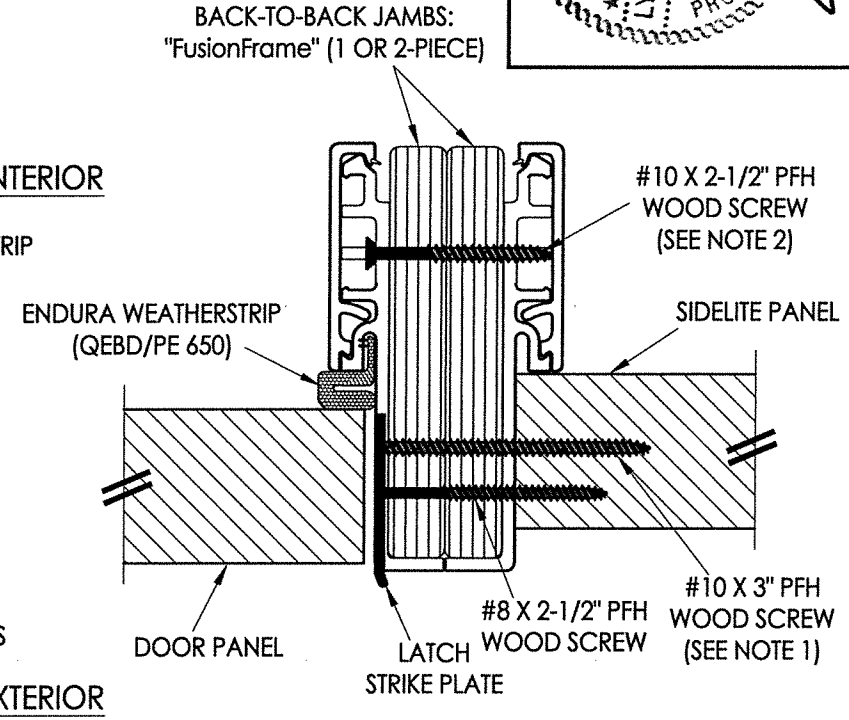
Documents Prepared By: Lyndon F. Schmidt, P.E.
TEXAS P.E. #104123

RW BUILDING CONSULTANTS, INC.
P.O. Box 230 Valrico FL, 33595
Phone No.: 813.659.9197

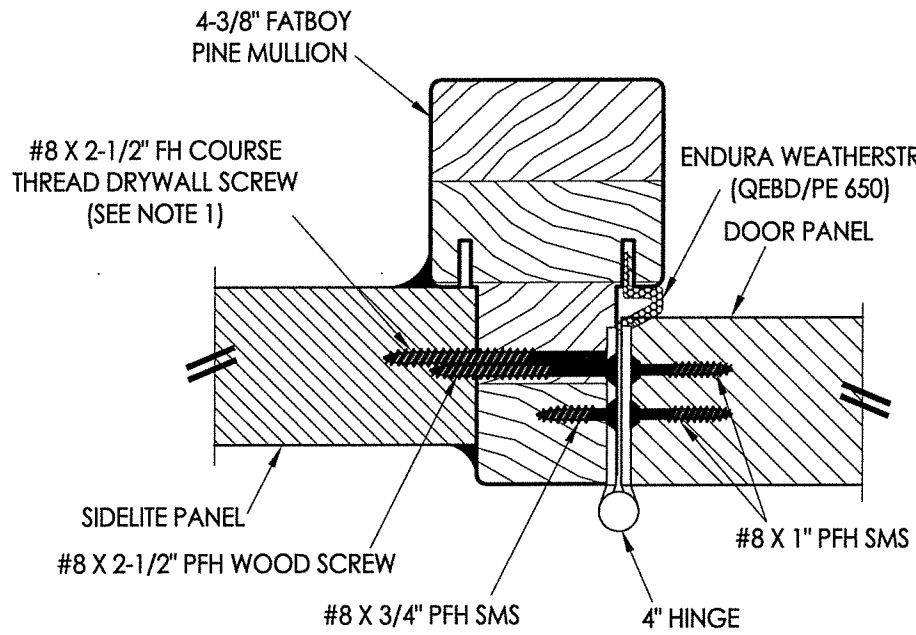
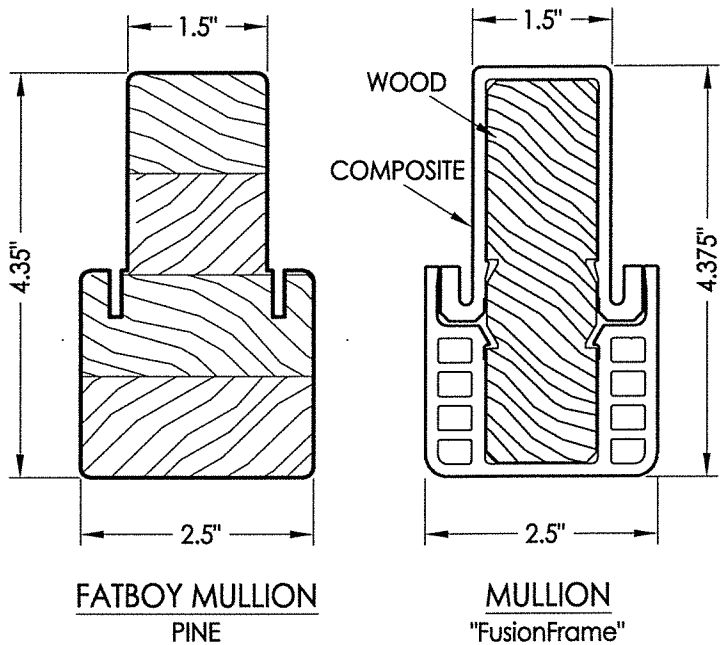
TEXAS BOARD OF PROFESSIONAL ENGINEERS
CERTIFICATE OF REGISTRATION # F-11852



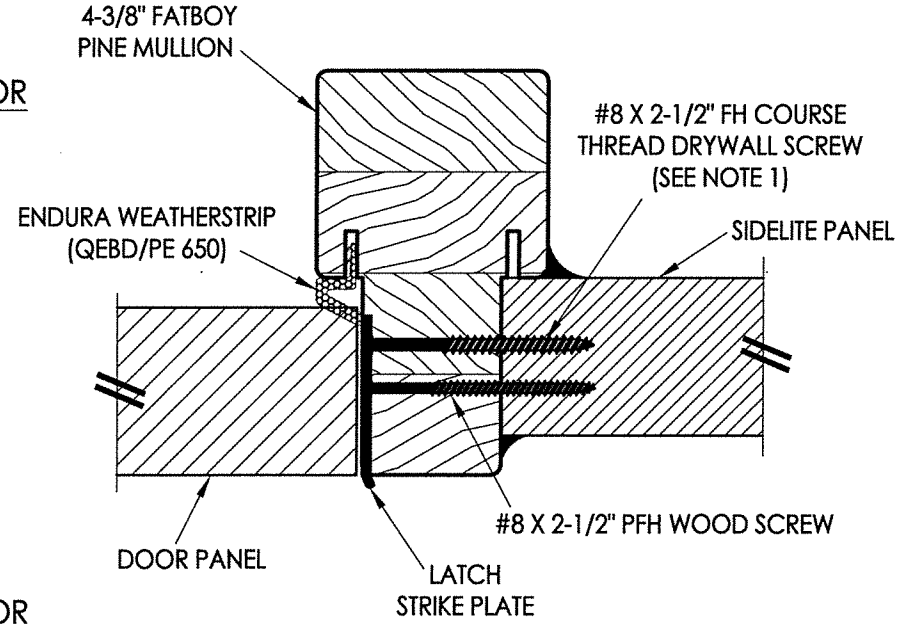
3 HORIZONTAL CROSS SECTION
4 Outswing shown - Inswing also approved



4 HORIZONTAL CROSS SECTION
4 Outswing shown - Inswing also approved



1 HORIZONTAL CROSS SECTION
4 Outswing shown - Inswing also approved



2 HORIZONTAL CROSS SECTION
4 Outswing shown - Inswing also approved

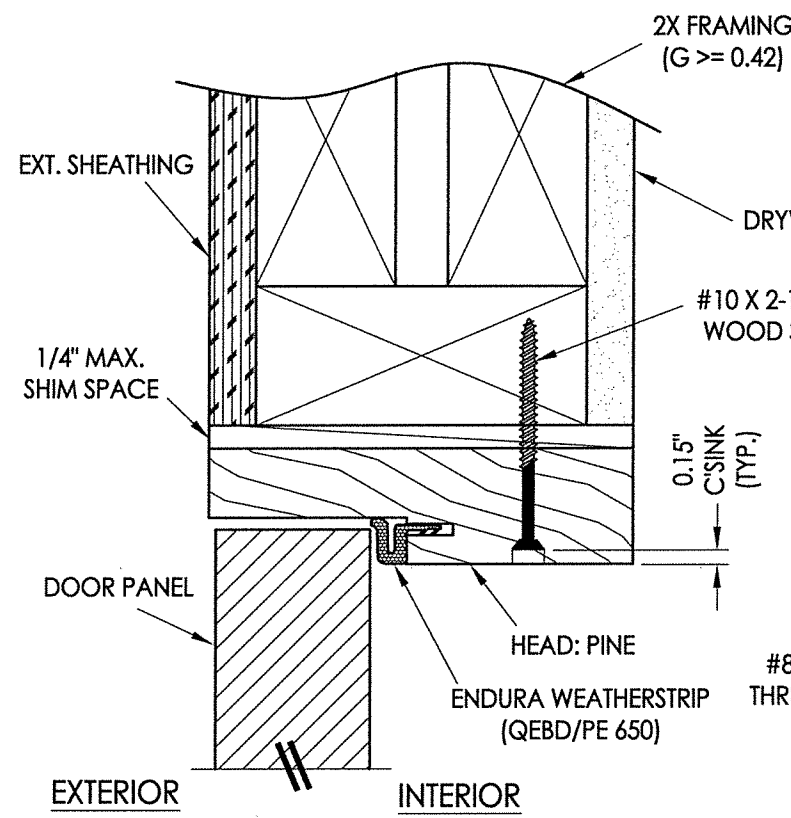
NOTES:
1. Spacing for sidelite screws: 6.5", 38.5" and 69" from head to sill (3 total).
2. Spacing for mullion screws: 6" from each end plus 3 more equally spaced (5 total).

PRODUCT: ENDURA
FIBERGLASS DOOR
PART OR ASSEMBLY: HORIZONTAL CROSS SECTIONS

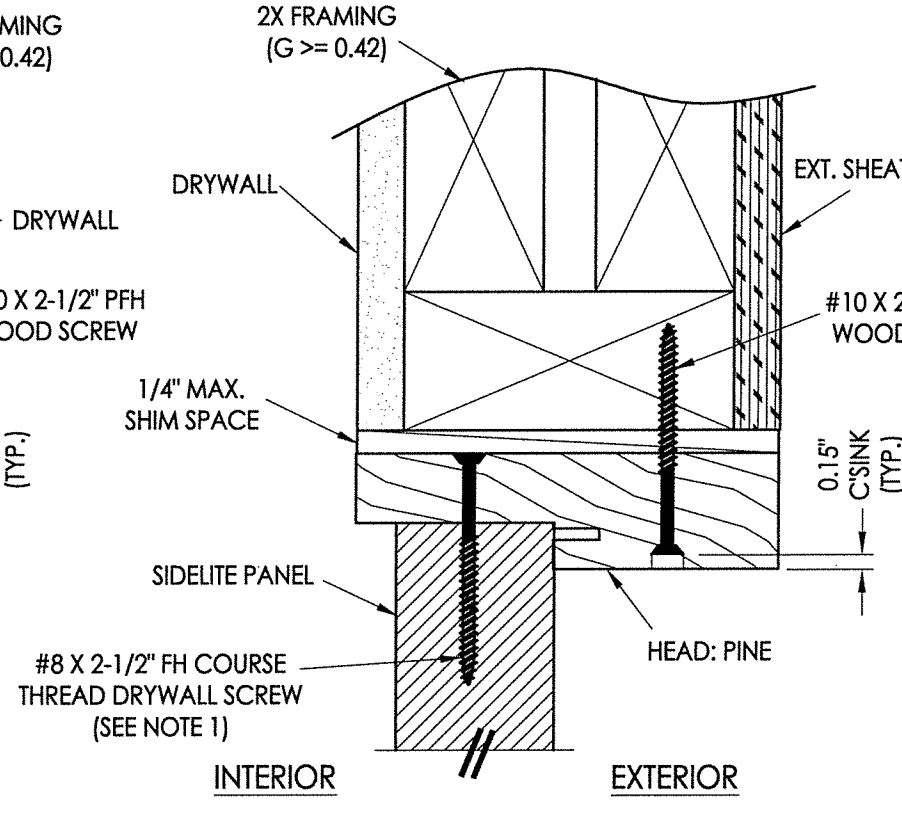
NO.	DATE	REVISIONS	BY
4	9/16/19	ADD "FusionFrame" OPTION & UPDATE TO 2018 IBC/IRC CODE	LFS
3	11/07/18	REVISED TO INSERT GLAZED ONLY	LFS
2	10/25/16	ADDED THRESHOLDS/REVISED DP	LFS
1	11/26/13	ADDED ARTICULATING SILL	LFS

DATE: 7/03/12
SCALE: N.T.S.
DWG. BY: JK
CHK. BY: LFS
DRAWING NO.: TX-4166
SHEET 4 OF 7

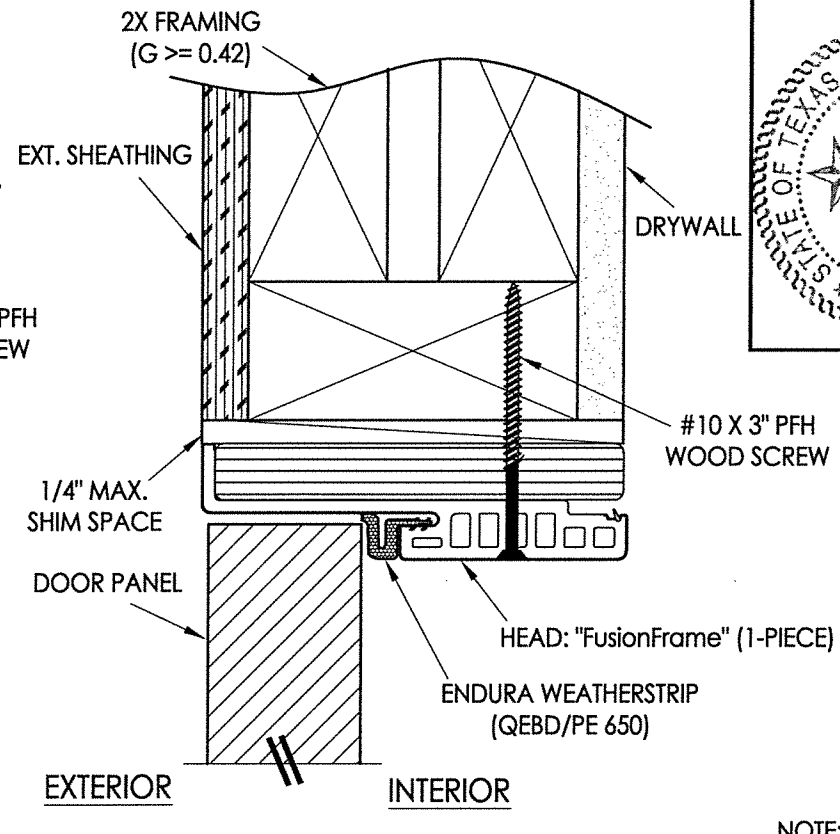
R:\Clients\Endura PERMANENT\B - Texas Dept of Ins\TDI - DR-570 (Exp. 11-1-17)\C - Drawings\REV 2018 Insert Glazed\TX-4166-67.dwg, 5.3



1 VERTICAL CROSS SECTION
5 Outswing shown - inswing also approved

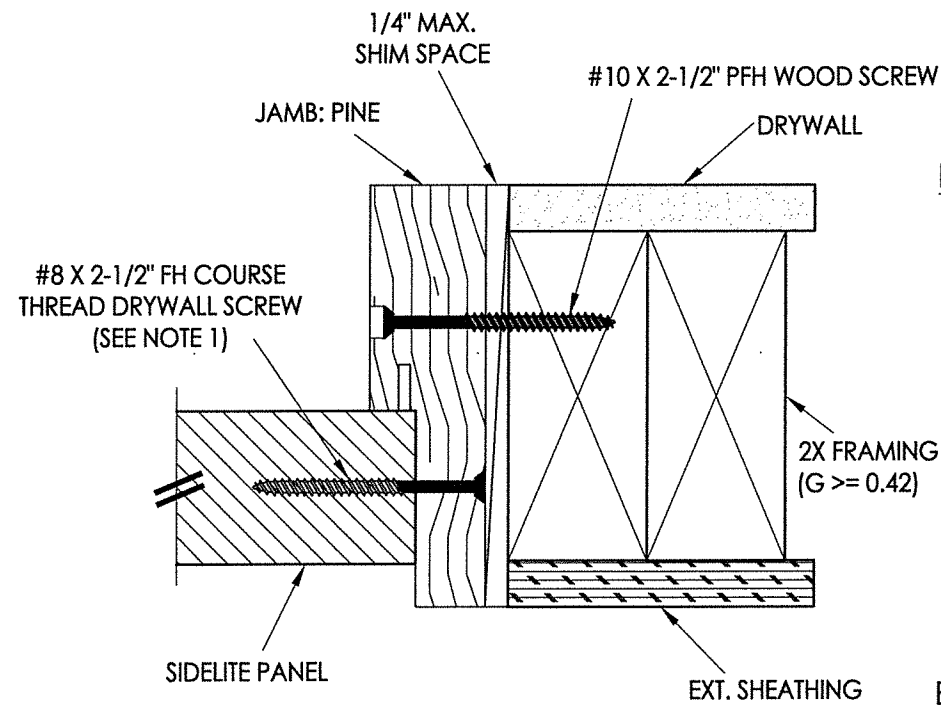
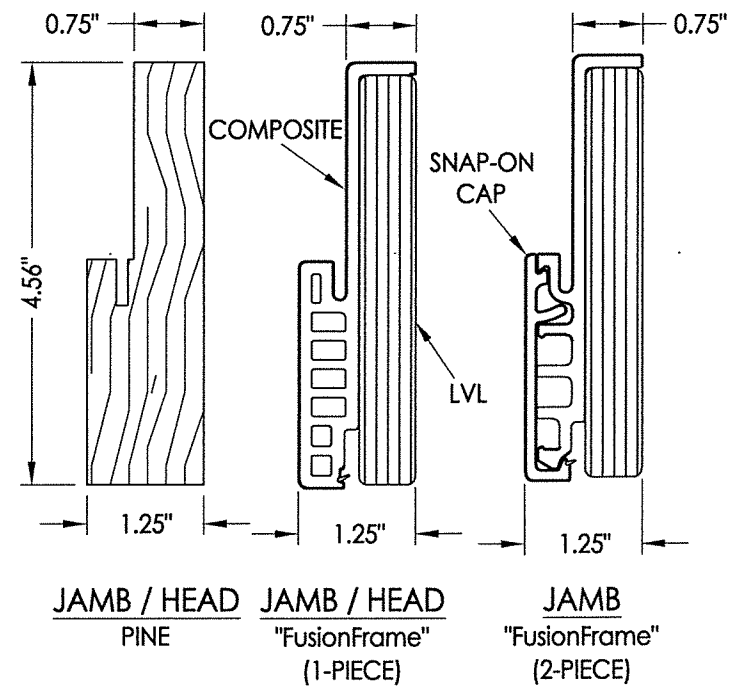


2 VERTICAL CROSS SECTION
5 Inswing shown - Outswing also approved

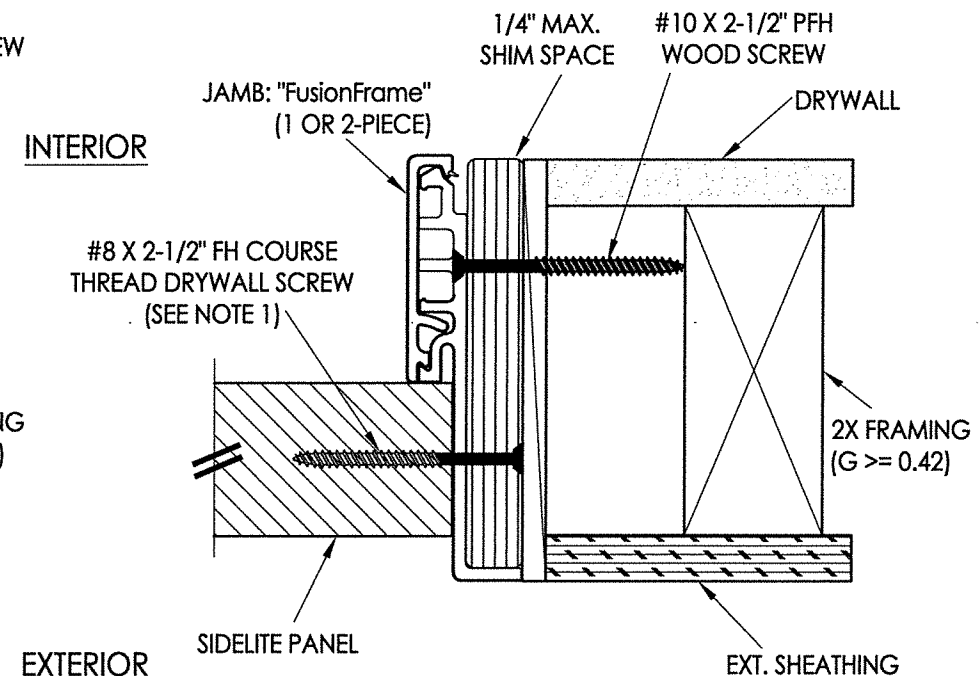


3 VERTICAL CROSS SECTION
5 Outswing shown - inswing also approved

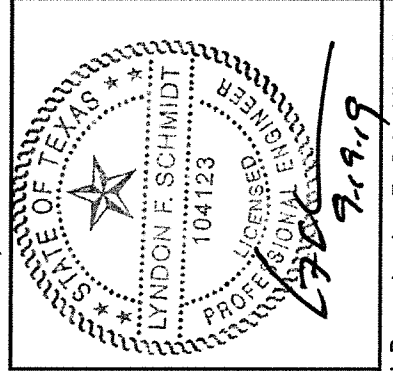
NOTE:
1. Spacing for sidelite screws: 6" from each end (2 total).



4 HORIZONTAL CROSS SECTION
5 Outswing shown - Inswing also approved



5 HORIZONTAL CROSS SECTION
5 Outswing shown - Inswing also approved



Documents Prepared By: Lyndon F. Schmidt, P.E.
TEXAS P.E. #104123
7.19.19
R.W. BUILDING CONSULTANTS, INC.
P.O. Box 230 Valrico FL 33595
Phone No.: 813.659.9197
TEXAS BOARD OF PROFESSIONAL ENGINEERS
CERTIFICATE OF REGISTRATION # F-11852

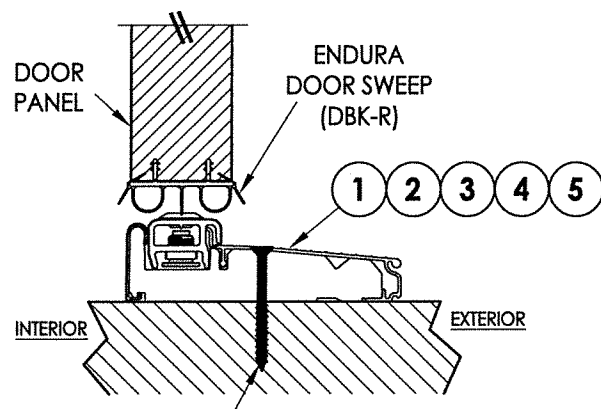
PRODUCT:	ENDURA
PART OR ASSEMBLY:	VERTICAL CROSS SECTIONS

NO.	DATE	BY
4	9/16/19	LFS
3	11/07/18	LFS
2	10/25/16	LFS
1	11/26/13	LFS

DATE:	7/03/12
SCALE:	N.T.S.
DWG. BY:	JK
CHK. BY:	LFS
DRAWING NO.:	TX-4166
SHEET	5 OF 7

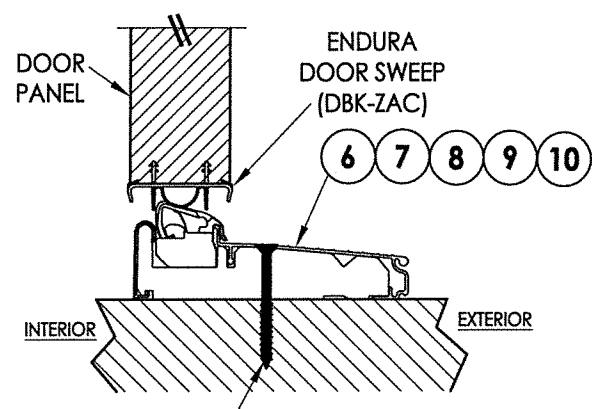
© 2012 R.W. BUILDING CONSULTANTS INC.

R:\Clients\Endura PERMANENT\B - Texas Dept of Ins\TDI - DR-570 (Exp. 11-1-17)\C - Drawings\REV 2018 Insert Glazed\TX-4166-67.dwg, 6.3



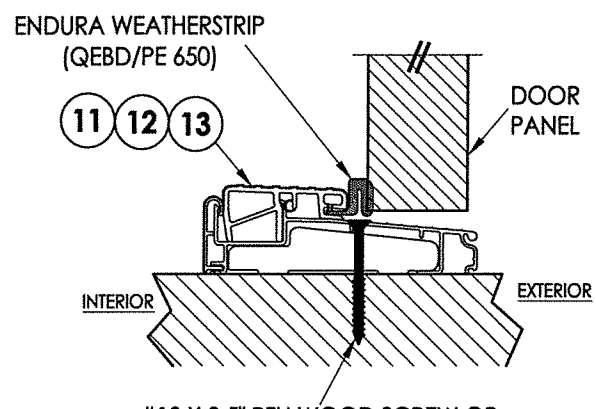
#10 X 2.5" PFH WOOD SCREW OR
1/4" X 2-3/4" ELCO OR ITW CONCRETE SCREW

1 VERTICAL CROSS SECTION
6 Inswing Adjustable Threshold



#10 X 2.5" PFH WOOD SCREW OR
1/4" X 2-3/4" ELCO OR ITW CONCRETE SCREW

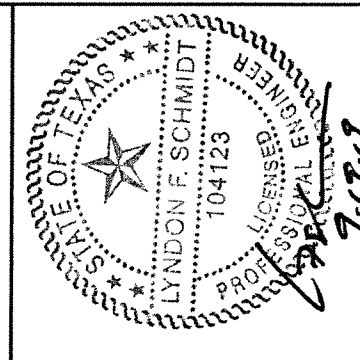
2 VERTICAL CROSS SECTION
6 Inswing Articulating Threshold



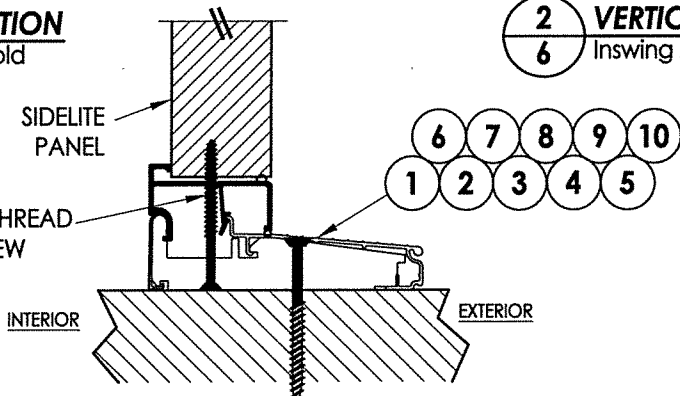
#10 X 2.5" PFH WOOD SCREW OR
1/4" X 2-3/4" ELCO OR ITW CONCRETE SCREW

3 VERTICAL CROSS SECTION
6 Outswing Bump Threshold

NOTE:
1. Spacing for sidelite screws:
6" from each end (2 total).

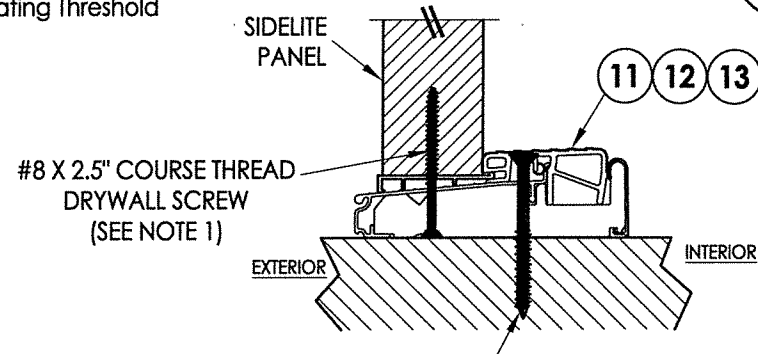


Documents Prepared By: Lyndon F. Schmidt, P.E.
TEXAS P.E. #104123
RW BUILDING CONSULTANTS, INC.
P.O. Box 230 Valrico FL 33595
Phone No.: 813.659.9197
TEXAS BOARD OF PROFESSIONAL ENGINEERS
CERTIFICATE OF REGISTRATION # F-11852



#10 X 2.5" PFH WOOD SCREW OR
1/4" X 2-3/4" ELCO OR ITW CONCRETE SCREW

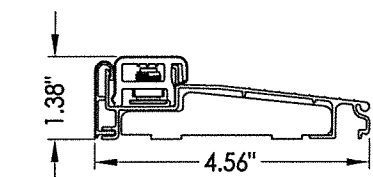
4 VERTICAL CROSS SECTION
6 Inswing configuration



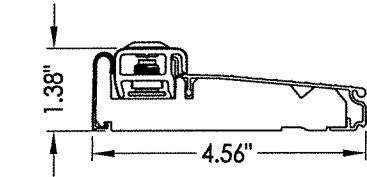
#10 X 2.5" PFH WOOD SCREW OR
1/4" X 2-3/4" ELCO OR ITW CONCRETE SCREW

5 VERTICAL CROSS SECTION
6 Outswing configuration

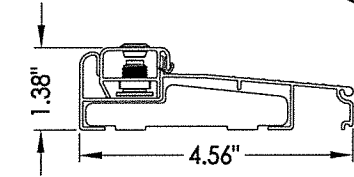
PRODUCT: ENDURA
FIBERGLASS DOOR
PART OR ASSEMBLY:
VERTICAL CROSS SECTIONS



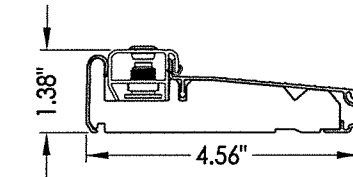
1 INSWING ADJUSTABLE THRESHOLD
ZAI4565



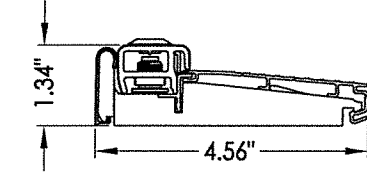
2 INSWING ADJUSTABLE THRESHOLD
ZAI4565FN



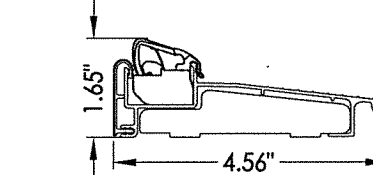
3 INSWING ADJUSTABLE THRESHOLD
ZAILAA4565



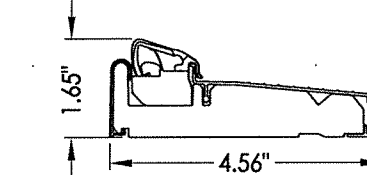
4 INSWING ADJUSTABLE THRESHOLD
ZAIAA4565FN



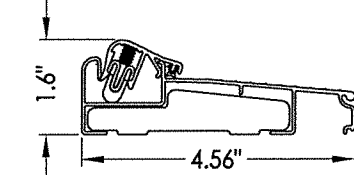
5 INSWING ADJUSTABLE THRESHOLD
ZAI4565RDS



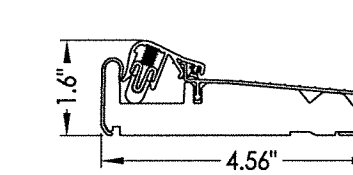
6 INSWING ARTICULATING THRESHOLD
ZACL4565



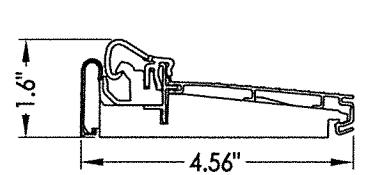
7 INSWING ARTICULATING THRESHOLD
ZAC4565FN



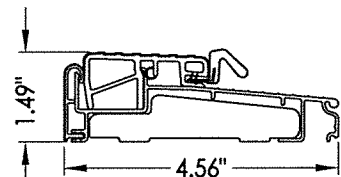
8 INSWING ARTICULATING THRESHOLD
ZACLAA4565



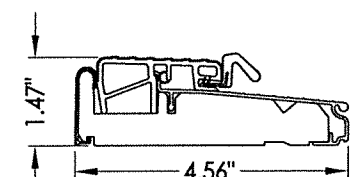
9 INSWING ARTICULATING THRESHOLD
ZACAA4565FN



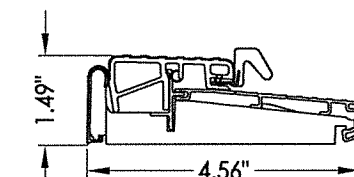
10 INSWING ARTICULATING THRESHOLD
ZAC4565RDS



11 OUTSWING THRESHOLD
ZOBL4565



12 OUTSWING THRESHOLD
ZOB4565FN

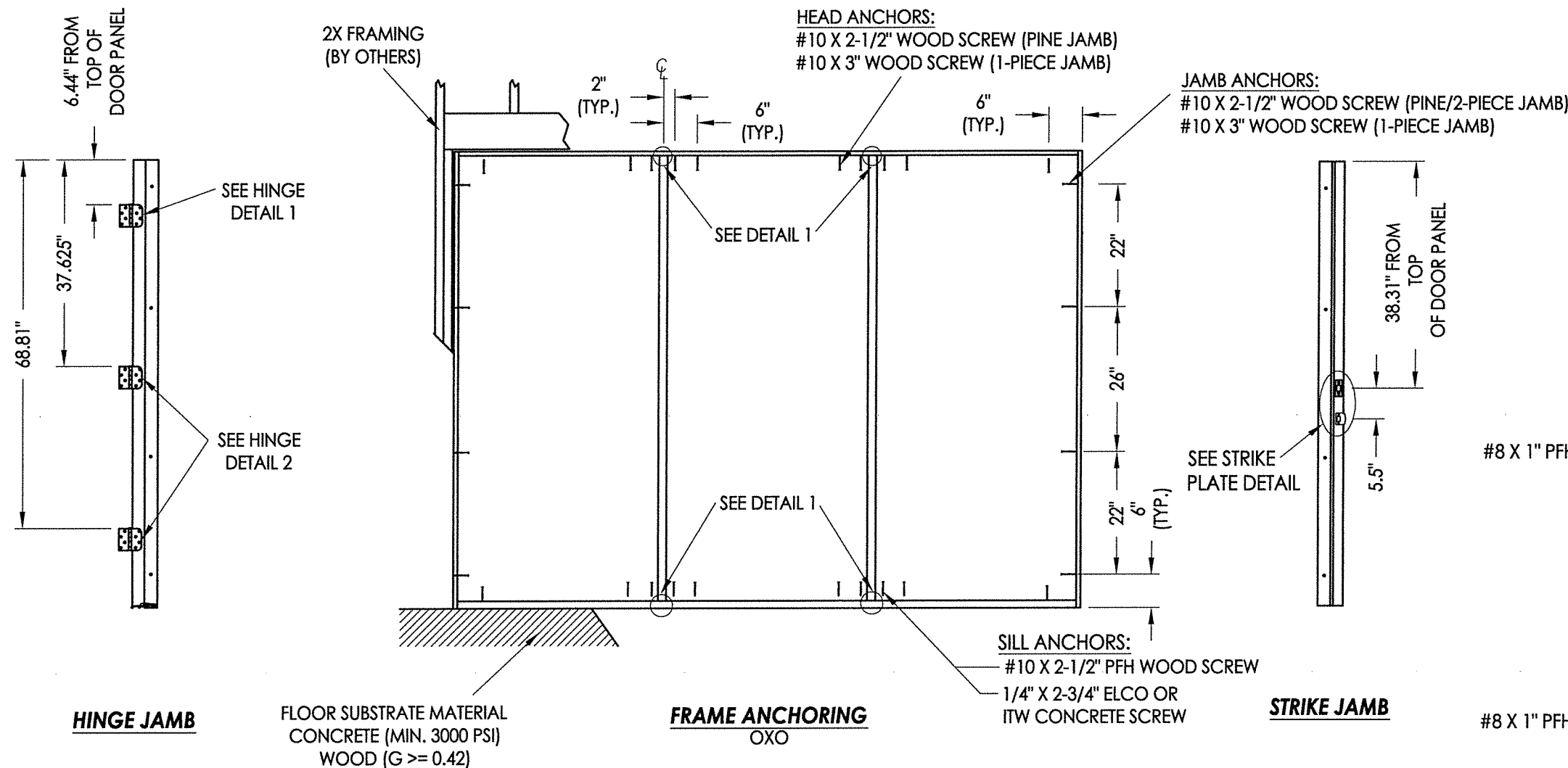


13 OUTSWING THRESHOLD
ZOB4565RDS

REVISIONS		NO.	DATE	BY
4	9/16/19	ADD "FusionFrame" OPTION & UPDATE TO 2018 IBC/IRC CODE		LFS
3	11/07/18	REVISED TO INSERT GLAZED ONLY		LFS
2	10/25/16	ADDED THRESHOLDS/REVISED DP		LFS
1	11/26/13	ADDED ARTICULATING SILL		LFS

DATE: 7/03/12
SCALE: N.T.S.
DWG. BY: JK
CHK. BY: LFS
DRAWING NO.: TX-4166
SHEET 6 OF 7

© 2012 R.W. BUILDING CONSULTANTS INC.



JAMB NOTES:

THE PINE OR "FusionFrame" 1-PIECE JAMB MAY BE INSTALLED @ THE HEAD OR SIDE JAMB.
 THE FusionFrame" 2-PIECE JAMB MAY BE INSTALLED @ THE SIDE JAMBS ONLY.

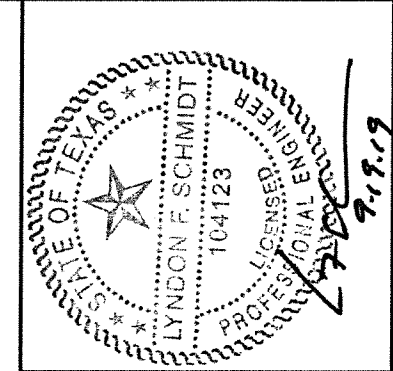
INTEGRAL MULLION NOTES:

THE FATBOY PINE MULLION, "FusionFrame" MULLION, OR THE "FusionFrame" BACK-TO-BACK JAMB (1-PIECE OR 2-PIECE) MAY ALL BE USED AS THE INTEGRAL MULLION.

CONCRETE ANCHOR NOTES:

- Concrete anchor locations at the corners may be adjusted to maintain the min. edge distance to mortar joints.
- Concrete anchor locations noted as "MAX. ON CENTER" must be adjusted to maintain the min. edge distance to mortar joints, additional concrete anchors may be required to ensure the "MAX. ON CENTER" dimension are not exceeded.
- Concrete anchor table:

ANCHOR TYPE	ANCHOR SIZE	MIN. EMBEDMENT	MIN. CLEARANCE TO MASONRY EDGE	MIN. CLEARANCE TO ADJACENT ANCHOR
ITW TAPCON®	1/4"	1-3/4"	1-1/2"	4"
ELCO ULTRACON®	1/4"	1-3/4"	1"	4"



Documents Prepared By: Lyndon F. Schmidt, P.E.
 TEXAS P.E. #104123

RW BUILDING CONSULTANTS, INC.
 P.O. Box 230 Valrico FL, 33595
 Phone No.: 813.659.9197

TEXAS BOARD OF PROFESSIONAL ENGINEERS
 CERTIFICATE OF REGISTRATION # F-11852

PRODUCT: ENDURA

PART OR ASSEMBLY: FRAME ANCHORING

NO.	DATE	REVISIONS
4	9/16/19	ADD "FusionFrame" OPTION & UPDATE TO 2018 IBC/IRC CODE
3	11/07/18	REVISED TO INSERT GLAZED ONLY
2	10/25/16	ADDED THRESHOLDS/REVISED DP
1	11/26/13	ADDED ARTICULATING SILL

DATE: 7/03/12
 SCALE: N.T.S.
 DWG. BY: JK
 CHK. BY: LFS
 DRAWING NO.: TX-4166
 SHEET 7 OF 7