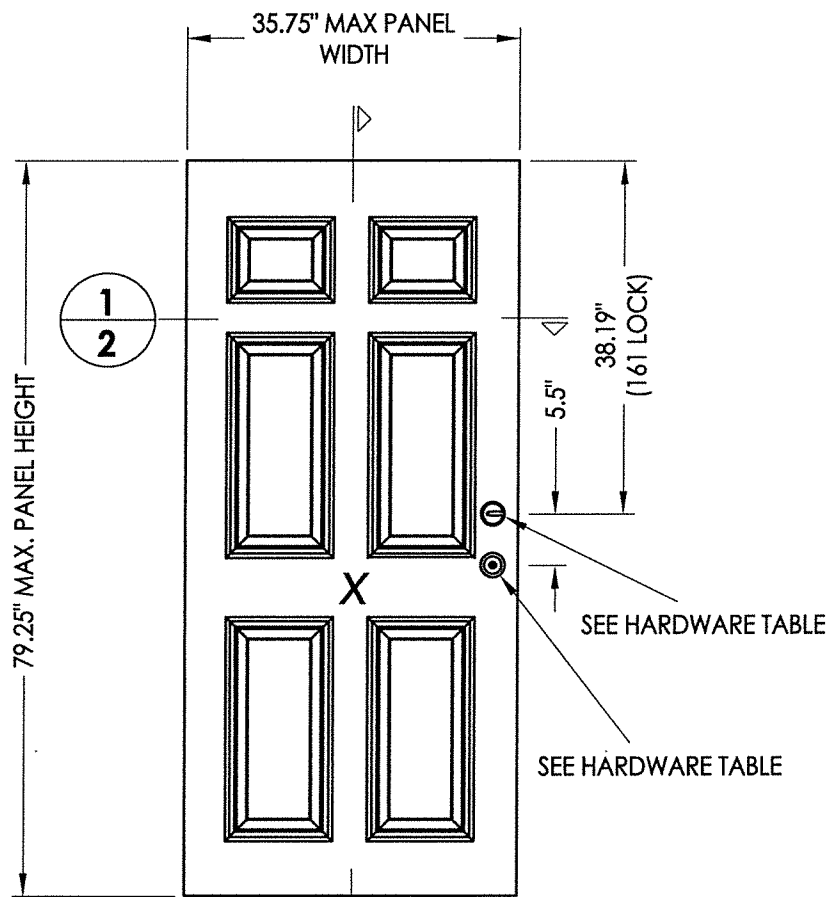


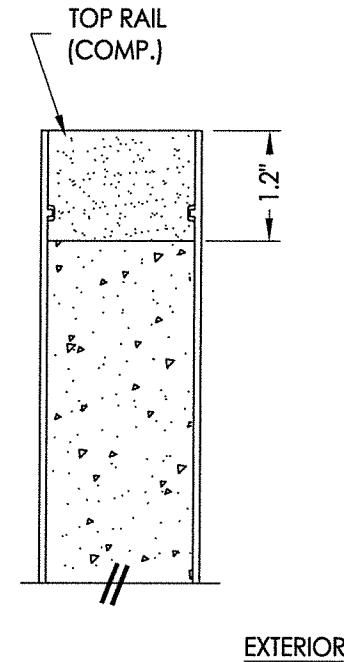
1  
2 **HORIZONTAL CROSS SECTION**



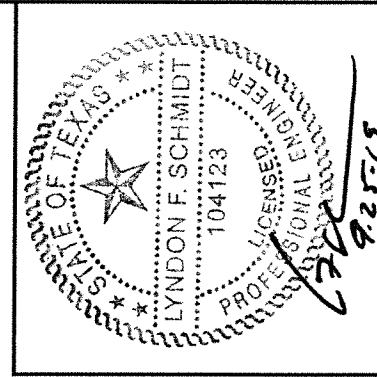
2  
2  
**40 DOOR PANEL**  
Plastpro  
Fiberglass

HARDWARE TABLE			
MANUFACTURER	MODEL		MAX. DESIGN PRESSURE (PSF)
KWIKSET	KNOB:	SIGNATURE SERIES	± 65
	DEADBOLT:	SIGNATURE SERIES (980)	
SCHLAGE	KNOB:	"F" SERIES (F51)	± 65
	DEADBOLT:	"B" SERIES (B60/62)	
PAMEX	LEVER:	FL3B SERIES	± 65
	DEADBOLT:	FD7 SERIES	
HOPPE	MULTI-POINT LOCK:	3-POINT TONGUE	± 50
W & F	MULTI-POINT LOCK:	TRILENNIUM "3000" SERIES	± 65

See sheets 8 and 9 for multi-point lock details.



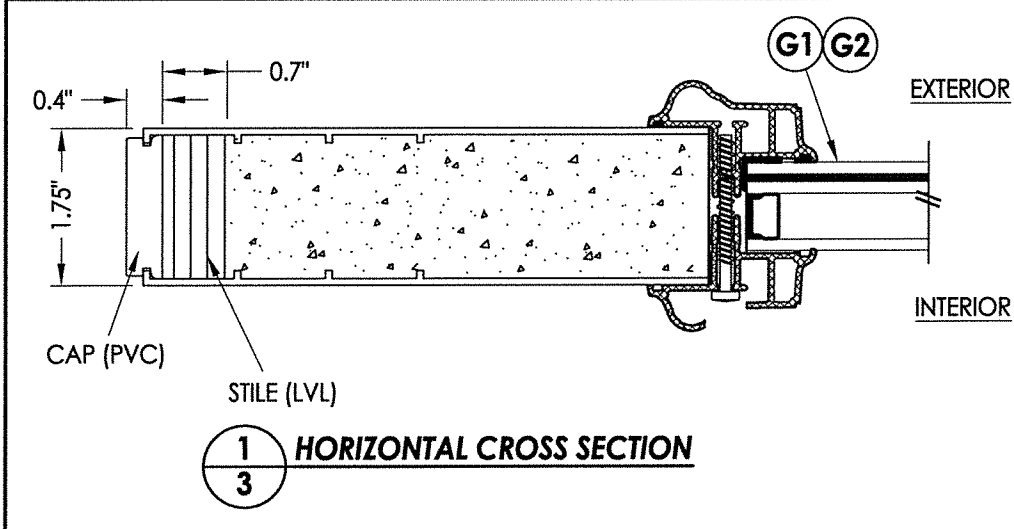
2  
2 **VERTICAL CROSS SECTION**



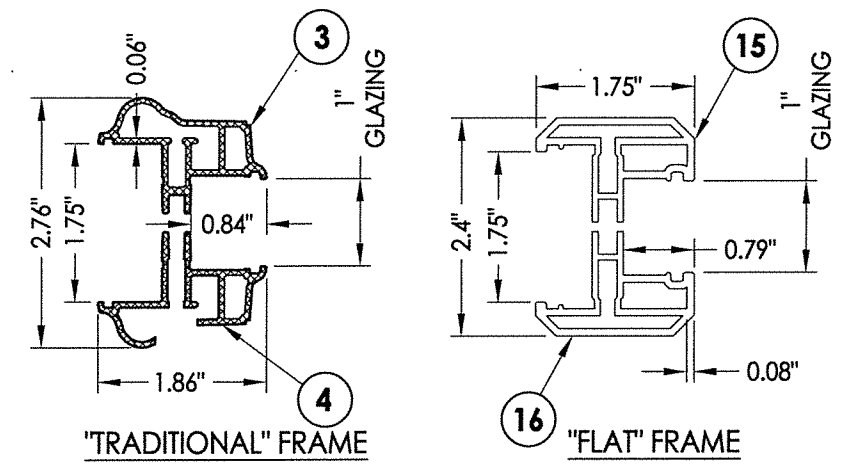
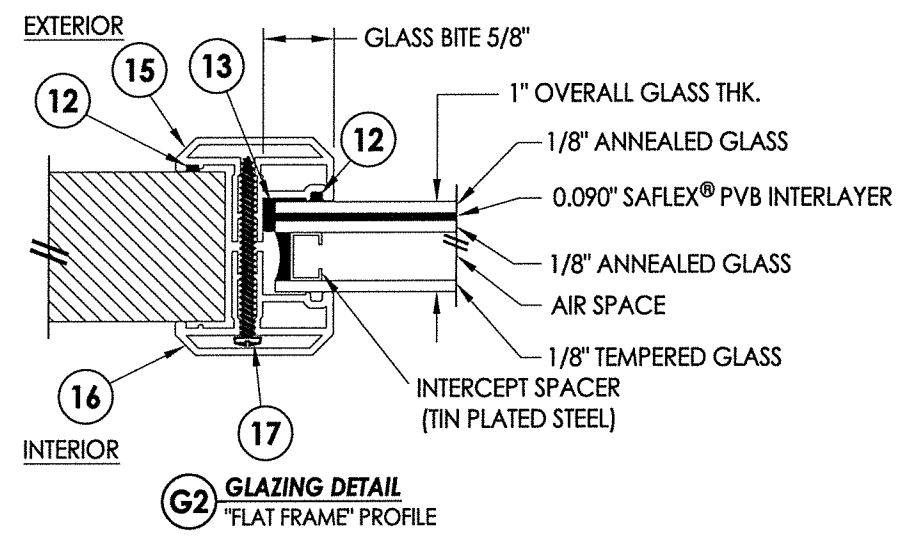
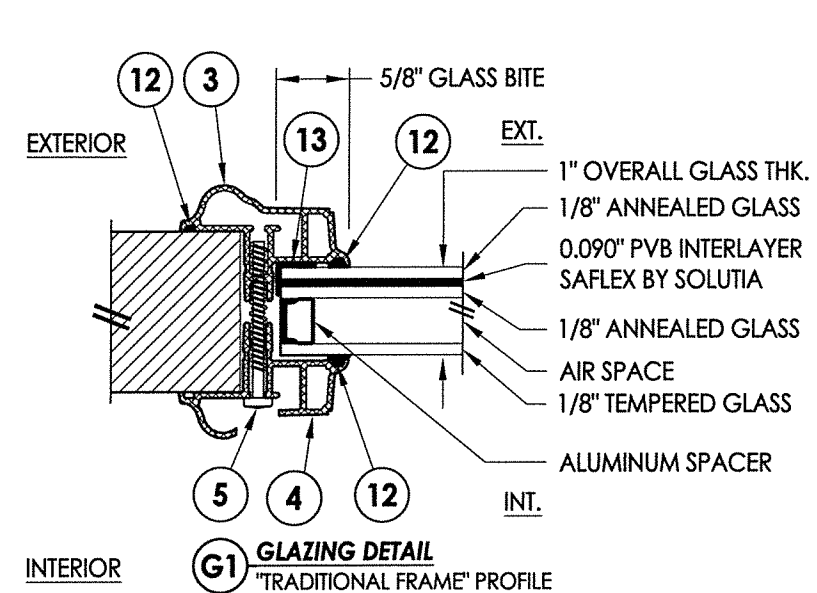
Documents Prepared By: Lyndon F. Schmidt, P.E.  
TEXAS P.E. #104123

**RW** BUILDING CONSULTANTS, INC.  
P.O. Box 230 Valrico FL 33595  
Phone No.: 813.659.9197  
TEXAS BOARD OF PROFESSIONAL ENGINEERS  
CERTIFICATE OF REGISTRATION # F-11852

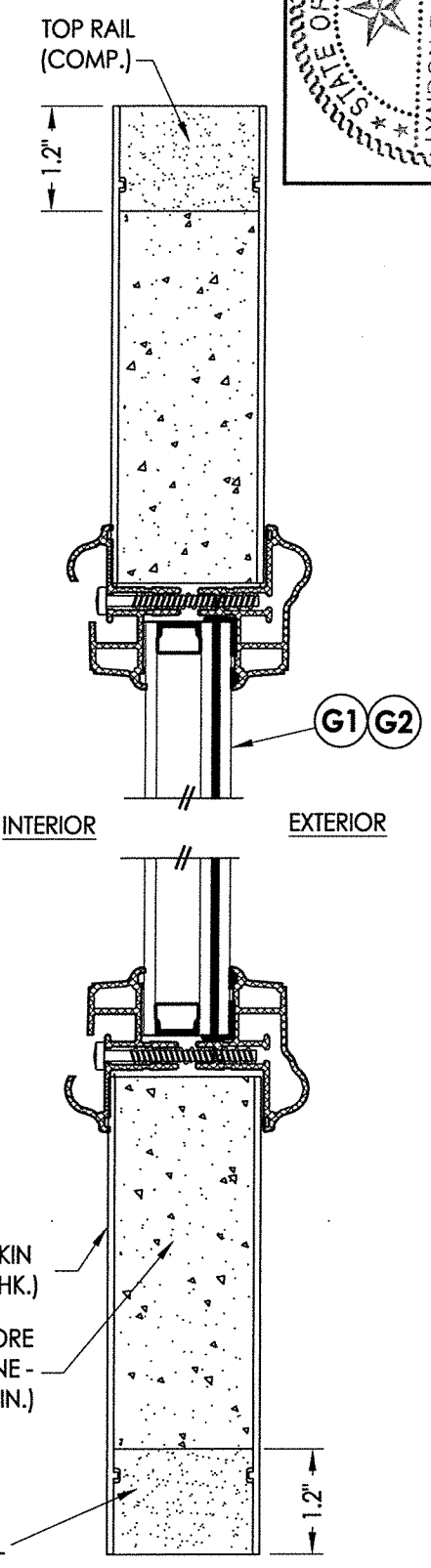
PRODUCT:	WINCORE FIBERGLASS DOOR
PART OR ASSEMBLY:	DOOR PANEL DETAILS
DATE:	05/30/12
SCALE:	N.T.S.
DWG. BY:	JK
CHK. BY:	LFS
DRAWING NO.:	TX-4159
SHEET	2 OF 11



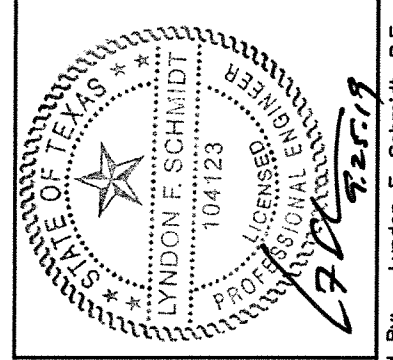
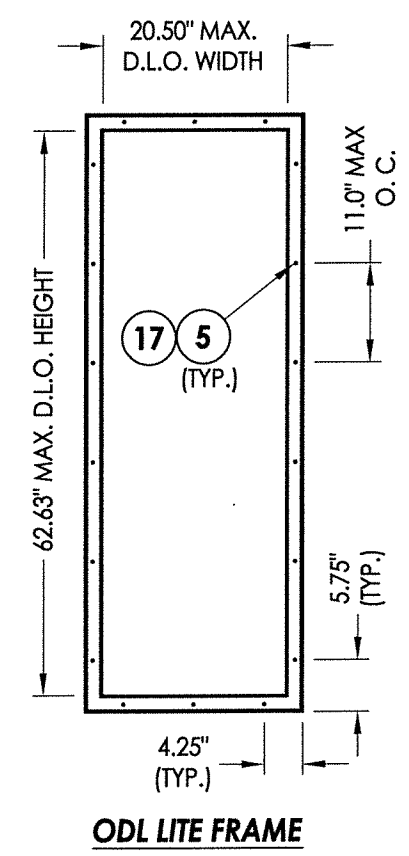
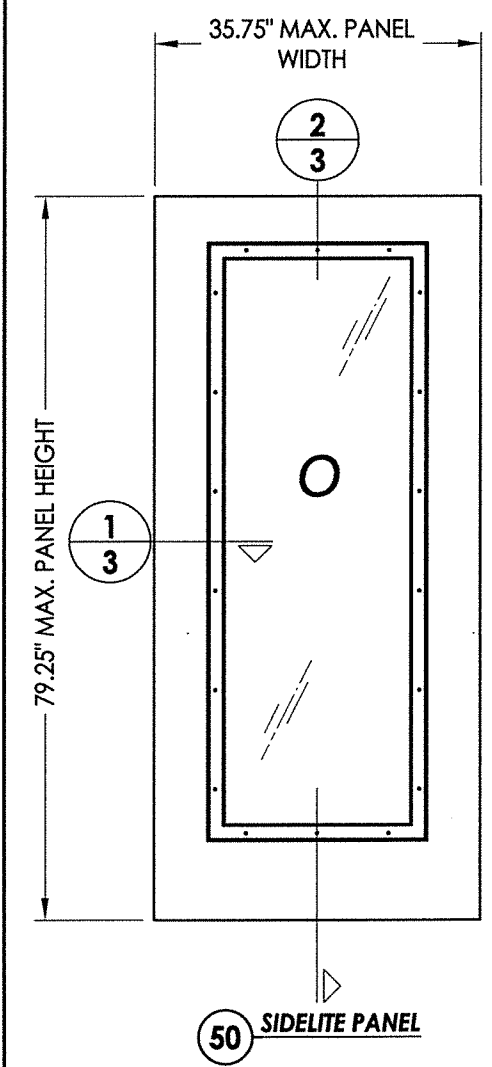
**1**  
**3** HORIZONTAL CROSS SECTION



ODL LITE FRAME CROSS SECTIONS



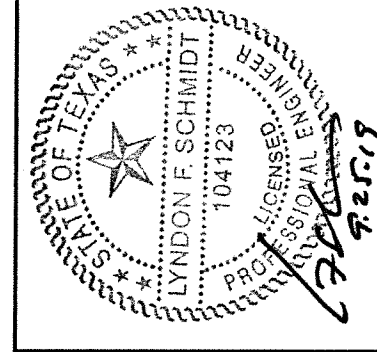
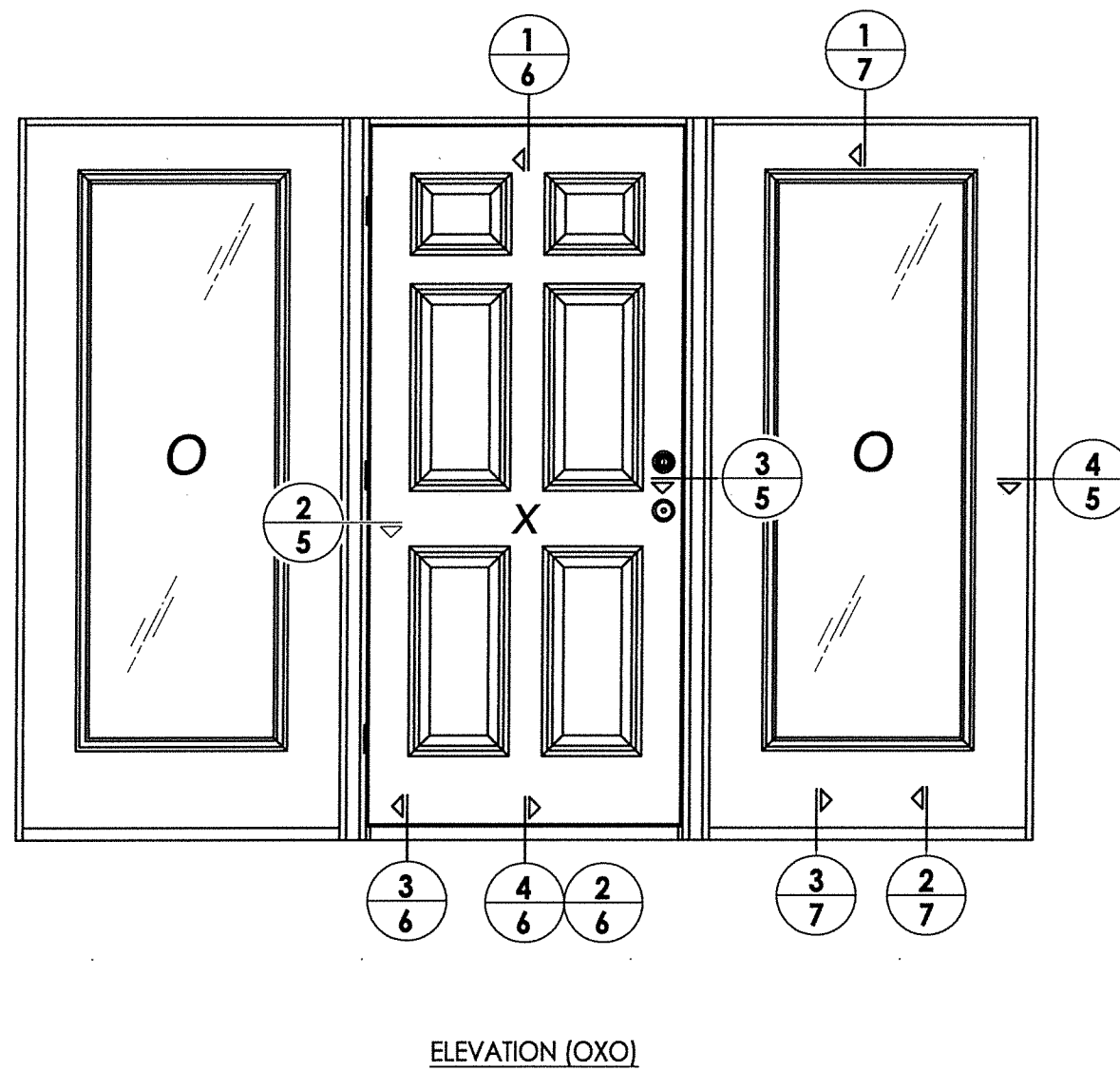
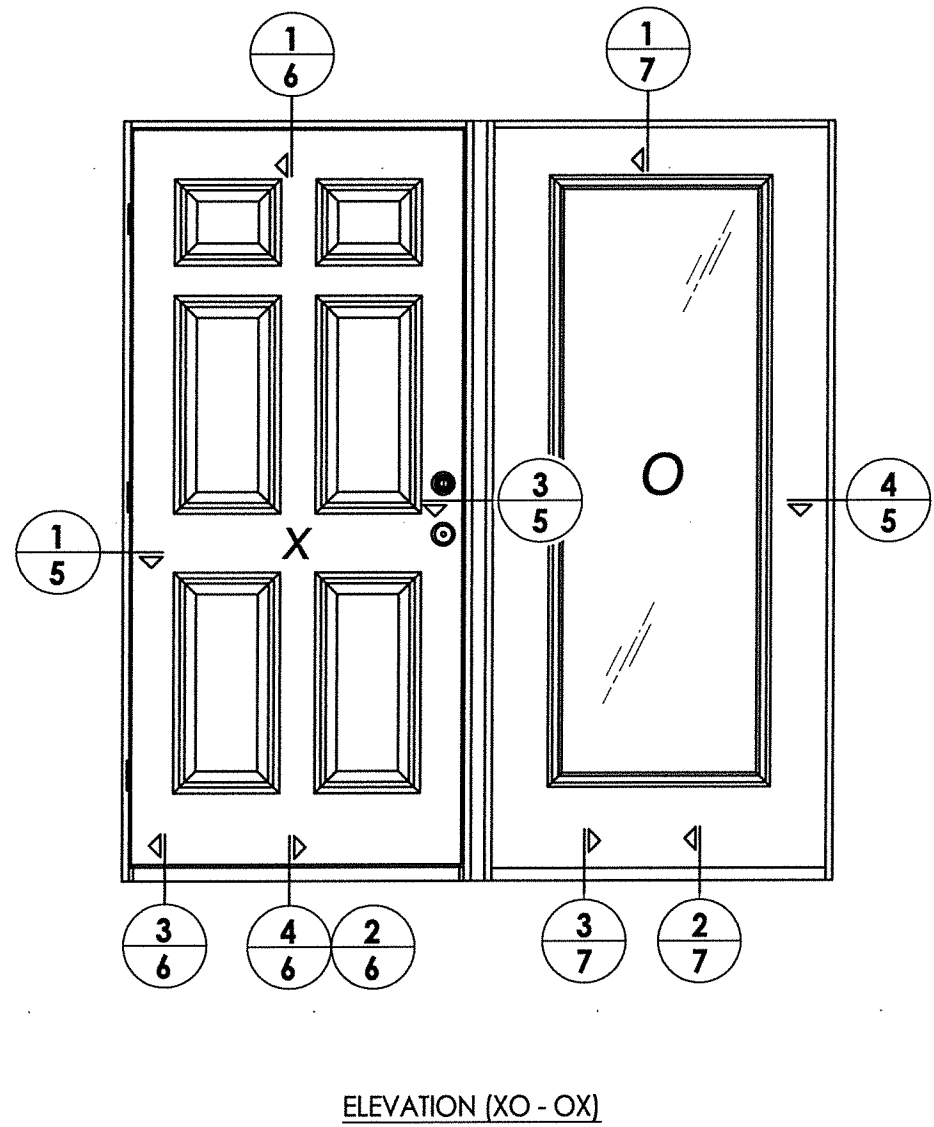
**2**  
**3** VERTICAL CROSS SECTION



Documents Prepared By: Lyndon F. Schmidt, P.E.  
TEXAS P.E. #104123  
RW BUILDING CONSULTANTS, INC.  
P.O. Box 230 Valrico FL 33595  
Phone No.: 813.659.9197  
TEXAS BOARD OF PROFESSIONAL ENGINEERS  
CERTIFICATE OF REGISTRATION # F-11852

PRODUCT:	WINCORE FIBERGLASS DOOR		
PART OR ASSEMBLY:	SIDELITE PANEL DETAILS		
DATE:	05/30/12		
SCALE:	N.T.S.		
DWG. BY:	JK		
CHK. BY:	LFS		
DRAWING NO.:	TX-4159		
SHEET	3 OF 11		
NO.	DATE	BY	
1	9/18/19	ADD FLAT FRAME & UPDATE TO 2018 IBC	LFS
REVISIONS			



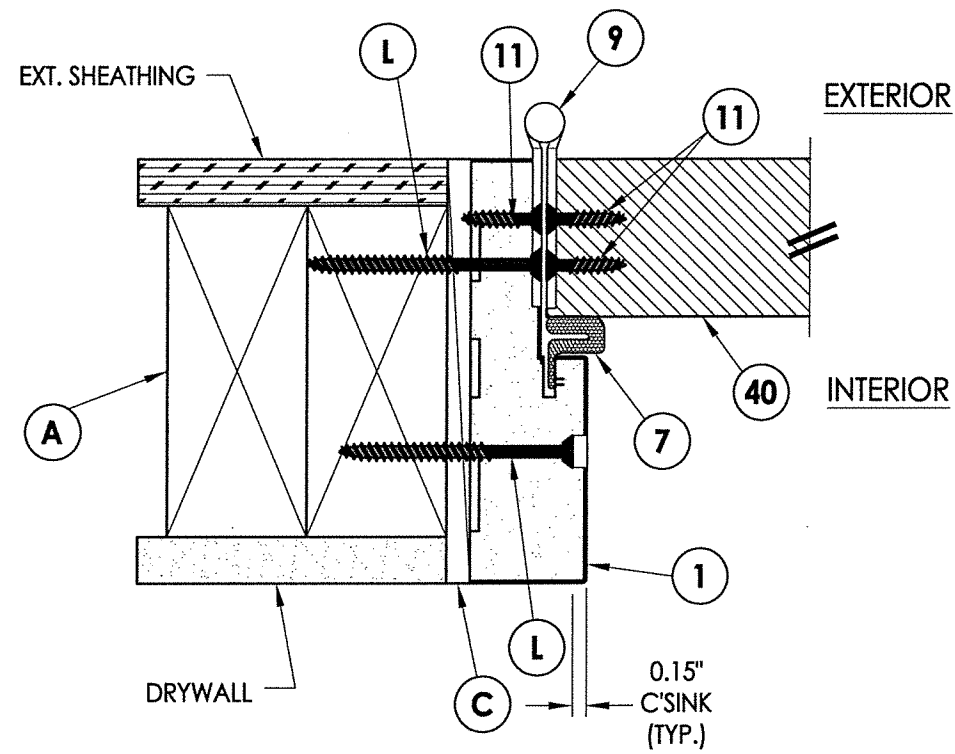


Documents Prepared By: Lyndon F. Schmidt, P.E.  
TEXAS P.E. #104123

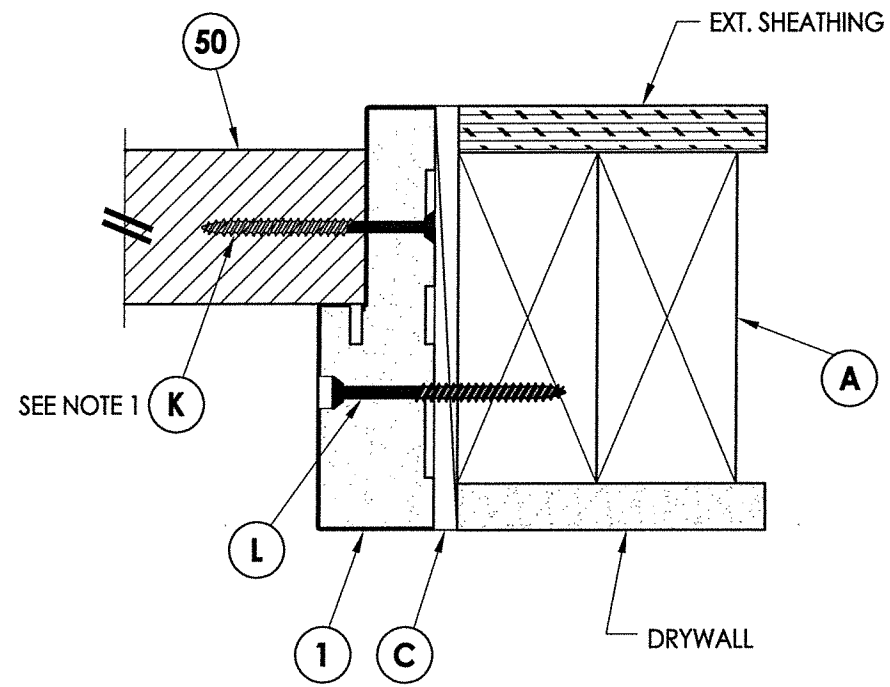
**RW** BUILDING CONSULTANTS, INC.  
P.O. Box 230 Vairico FL, 33595  
Phone No.: 813.659.9197

TEXAS BOARD OF PROFESSIONAL ENGINEERS  
CERTIFICATE OF REGISTRATION # F-11852

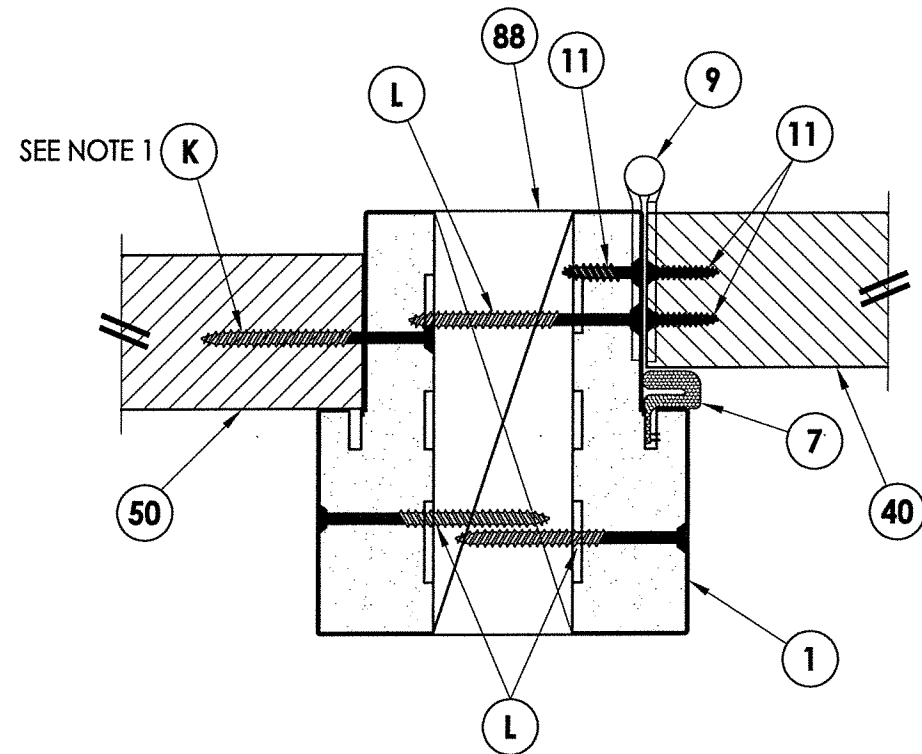
PRODUCT: WINCORE FIBERGLASS DOOR	
PART OR ASSEMBLY: ELEVATIONS	
NO.	DATE
1	9/18/19
ADD FLAT FRAME & UPDATE TO 2018 IBC	
LFS	BY
REVISIONS	
DATE: 05/30/12	
SCALE: N.T.S.	
DWG. BY: JK	
CHK. BY: LFS	
DRAWING NO.: TX-4159	
SHEET 4 OF 11	



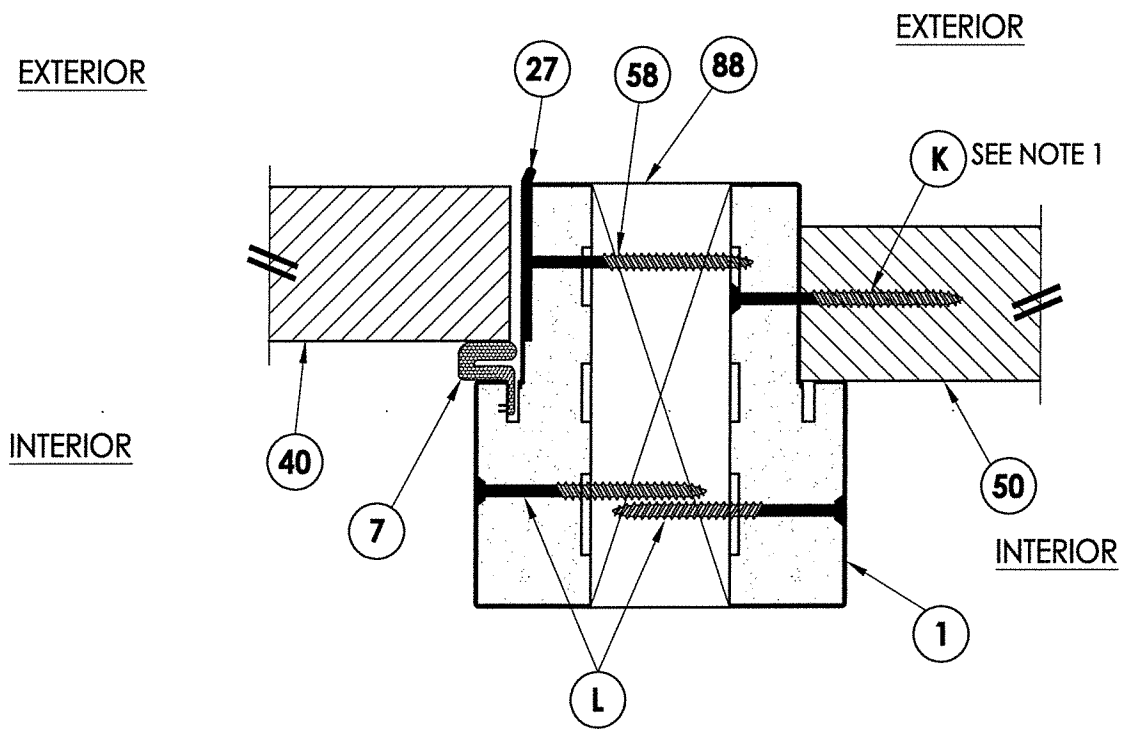
**1** HORIZONTAL CROSS SECTION  
**5** Outswing shown - Inswing also approved



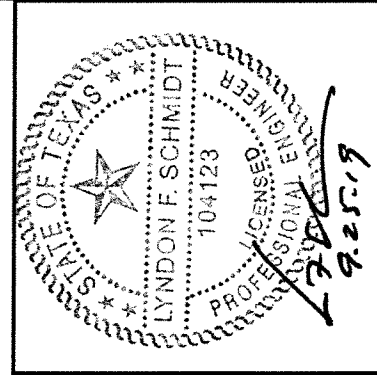
**4** HORIZONTAL CROSS SECTION  
**5** Outswing shown - Inswing also approved



**2** HORIZONTAL CROSS SECTION  
**5** Outswing shown - Inswing also approved



**3** HORIZONTAL CROSS SECTION  
**5** Outswing shown - Inswing also approved



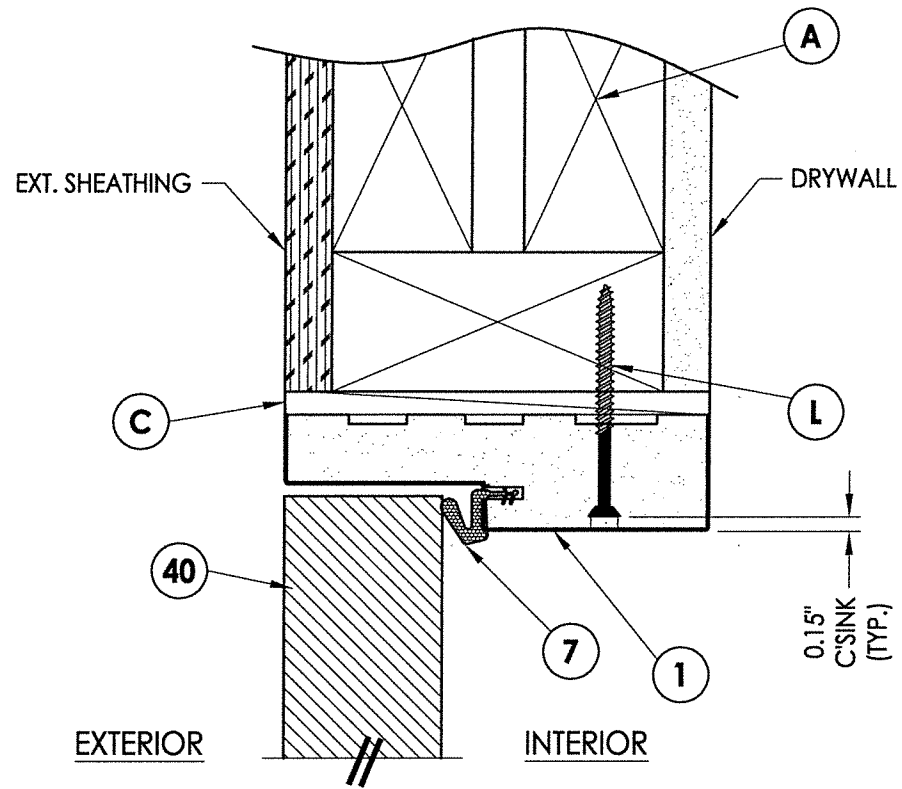
NOTE:  
 1. Spacing for item K: 6" from ends and 7 more equally spaced along sidelite (9 total).

Documents Prepared By: Lyndon F. Schmidt, P.E.  
 TEXAS P.E. #104123

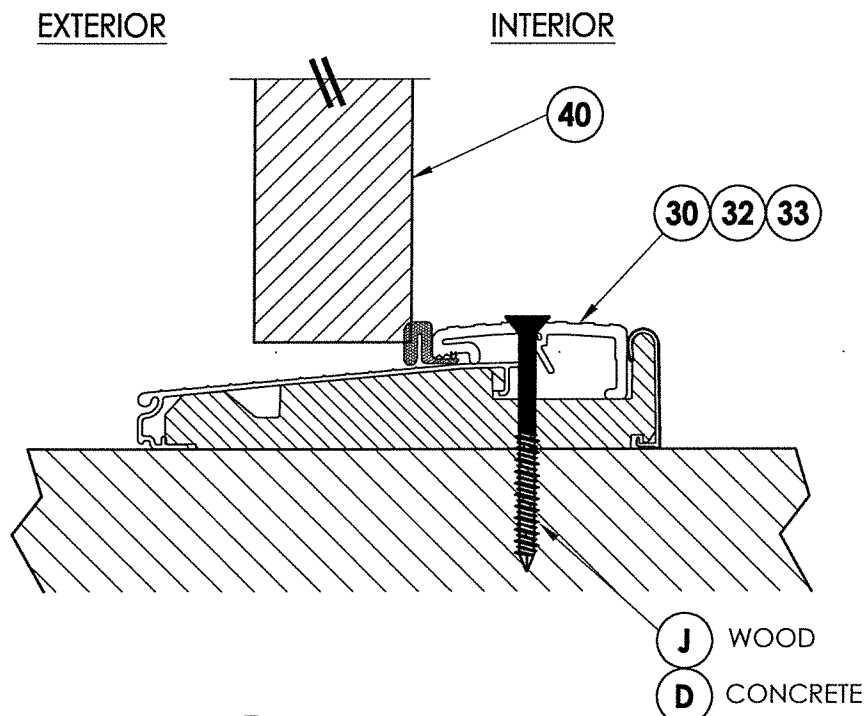
**RW** BUILDING CONSULTANTS, INC.  
 P.O. Box 230 Valrico FL 33595  
 Phone No.: 813.659.9197  
 TEXAS BOARD OF PROFESSIONAL ENGINEERS  
 CERTIFICATE OF REGISTRATION # F-11852

PRODUCT:	WINCORE FIBERGLASS DOOR		
PART OR ASSEMBLY:	HORIZONTAL CROSS SECTIONS		
DATE:	05/30/12		
SCALE:	N.T.S.		
DWG. BY:	JK		
CHK. BY:	LFS		
DRAWING NO.:	TX-4159		
SHEET	5 OF 11		
NO.	DATE	BY	
1	9/18/19	ADD FLAT FRAME & UPDATE TO 2018 IBC	LFS
REVISIONS			

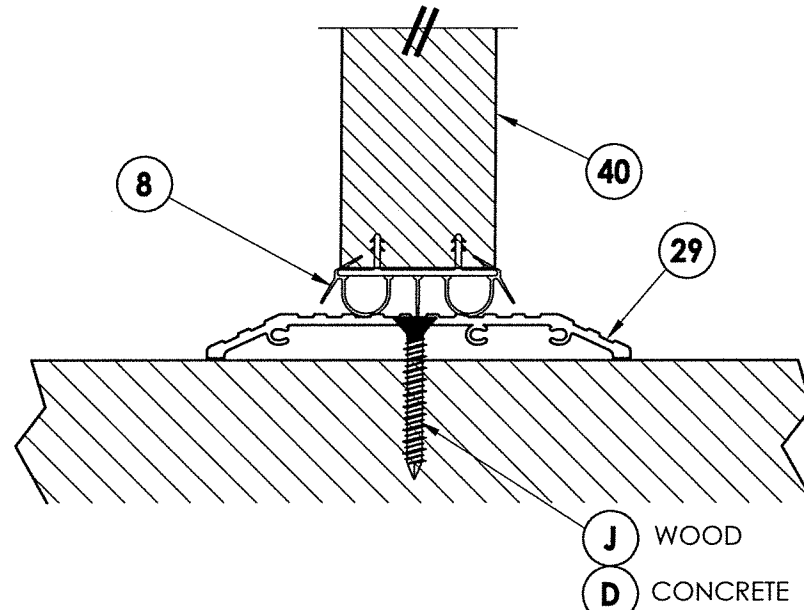
R:\Clients\Wincore PERMANENT.B - Texas Dept of Ins\Doors\DR-555 - Opaque FG Entry Doors\C - Drawings\RWBC Drawings\TX-4159 REV.dwg, 6.2



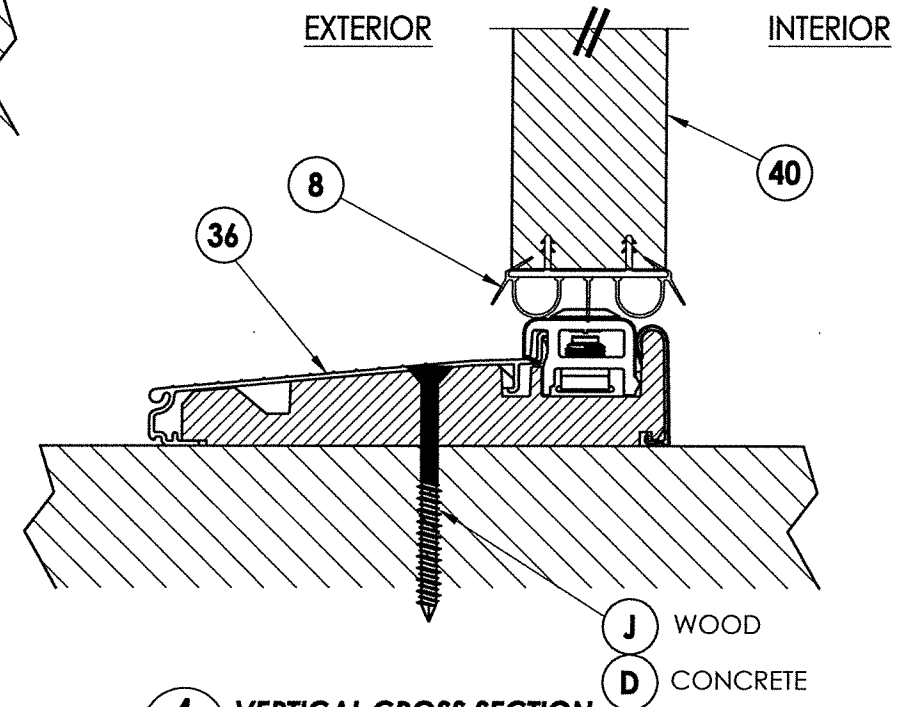
**1** VERTICAL CROSS SECTION  
**6** Outswing shown - inswing also approved



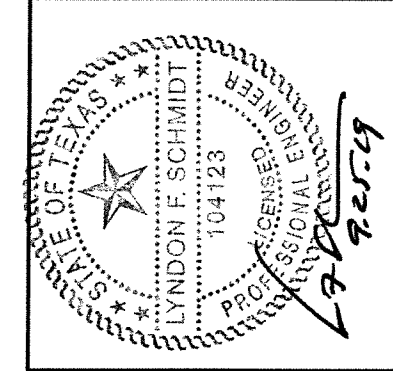
**3** VERTICAL CROSS SECTION  
**6** Outswing configuration



**2** VERTICAL CROSS SECTION  
**6** Shown w/ ADA threshold



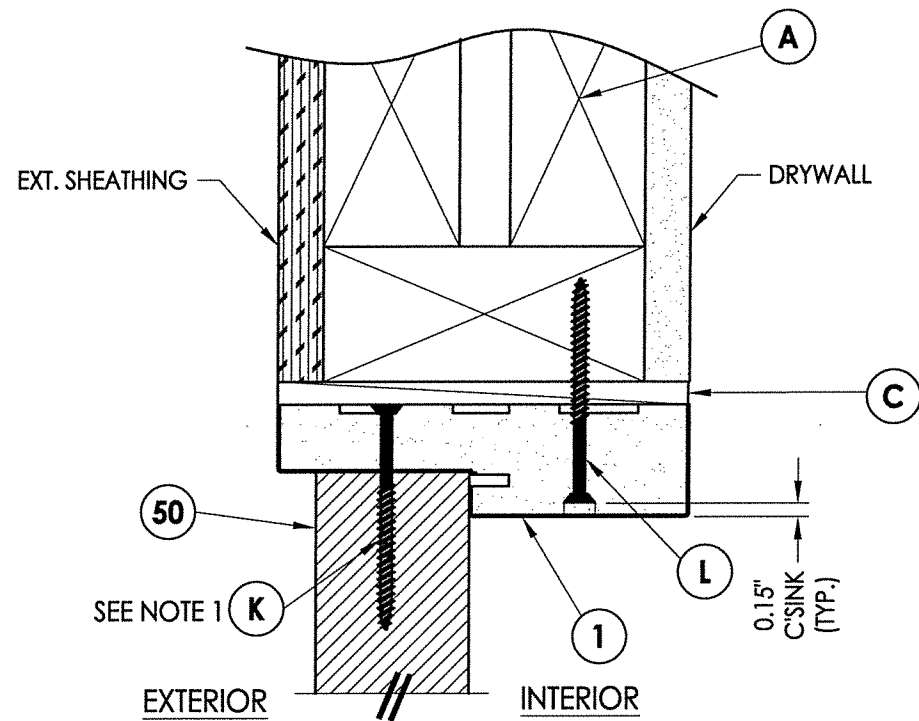
**4** VERTICAL CROSS SECTION  
**6** Inswing configuration



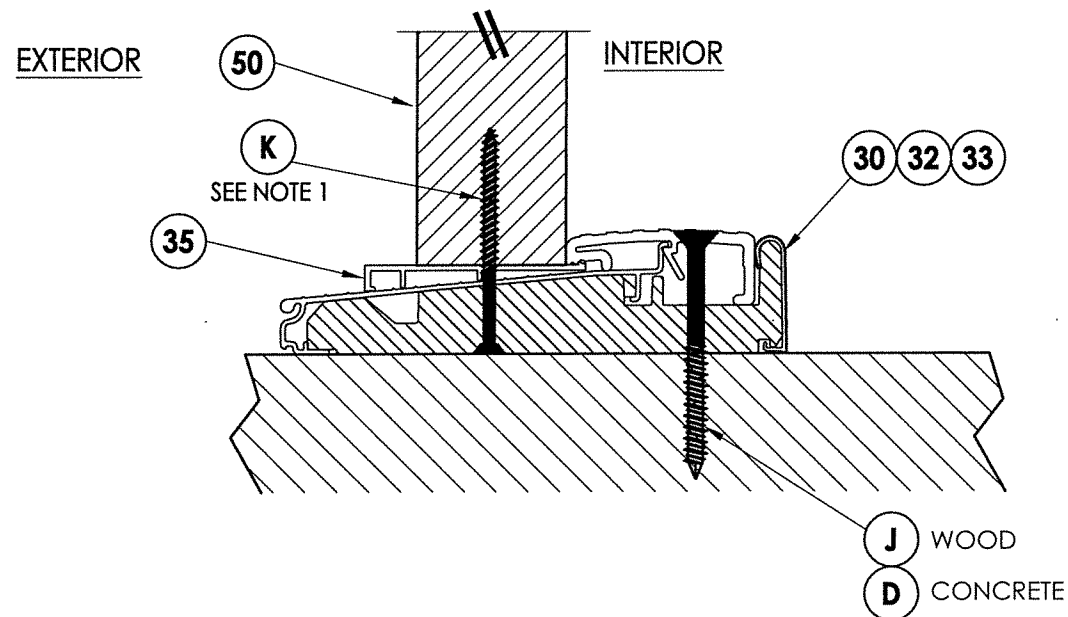
Documents Prepared By: Lyndon F. Schmidt, P.E.  
 TEXAS P.E. #104123

**RW** BUILDING CONSULTANTS, INC.  
 P.O. Box 230 Valrico FL 33595  
 Phone No.: 813.659.9197  
 TEXAS BOARD OF PROFESSIONAL ENGINEERS  
 CERTIFICATE OF REGISTRATION # F-11852

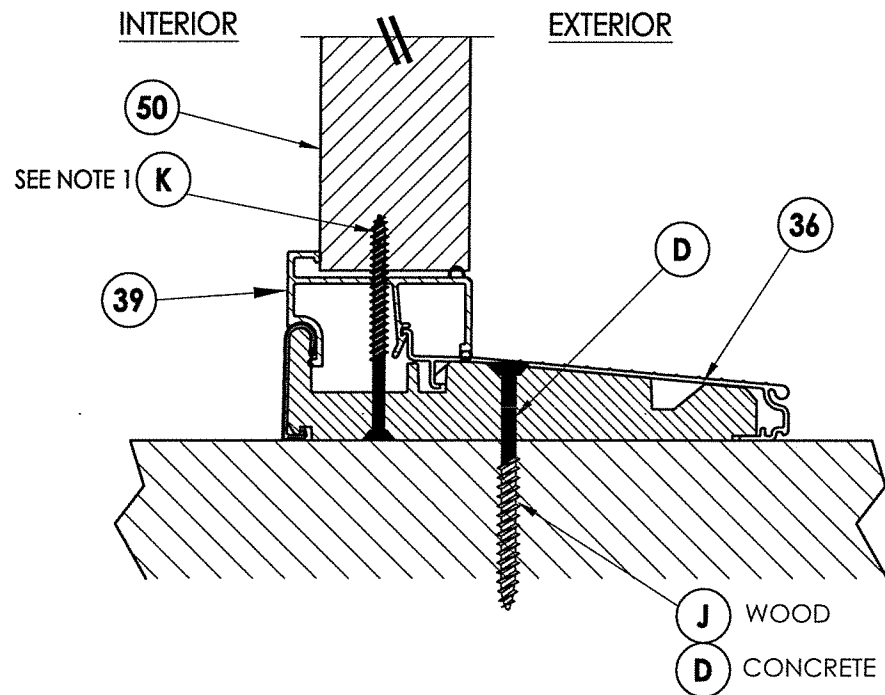
PRODUCT:		WINCORE FIBERGLASS DOOR	
PART OR ASSEMBLY:		VERTICAL CROSS SECTIONS	
NO.	DATE	BY	REVISIONS
1	9/18/19	LFS	ADD FLAT FRAME & UPDATE TO 2018 IBC
DATE: 05/30/12			
SCALE: N.T.S.			
DWG. BY: JK			
CHK. BY: LFS			
DRAWING NO.: TX-4159			
SHEET 6 OF 11			



**1** VERTICAL CROSS SECTION  
**7** Outswing shown - Inswing also approved

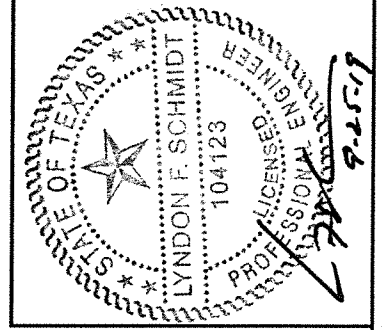


**2** VERTICAL CROSS SECTION  
**7** Outswing shown



**3** VERTICAL CROSS SECTION  
**7** Inswing shown

**NOTE**  
 1. Spacing for item K:  
 6" from each end  
 and at centerline.



Documents Prepared By: Lyndon F. Schmidt, P.E.  
 TEXAS P.E. #104123

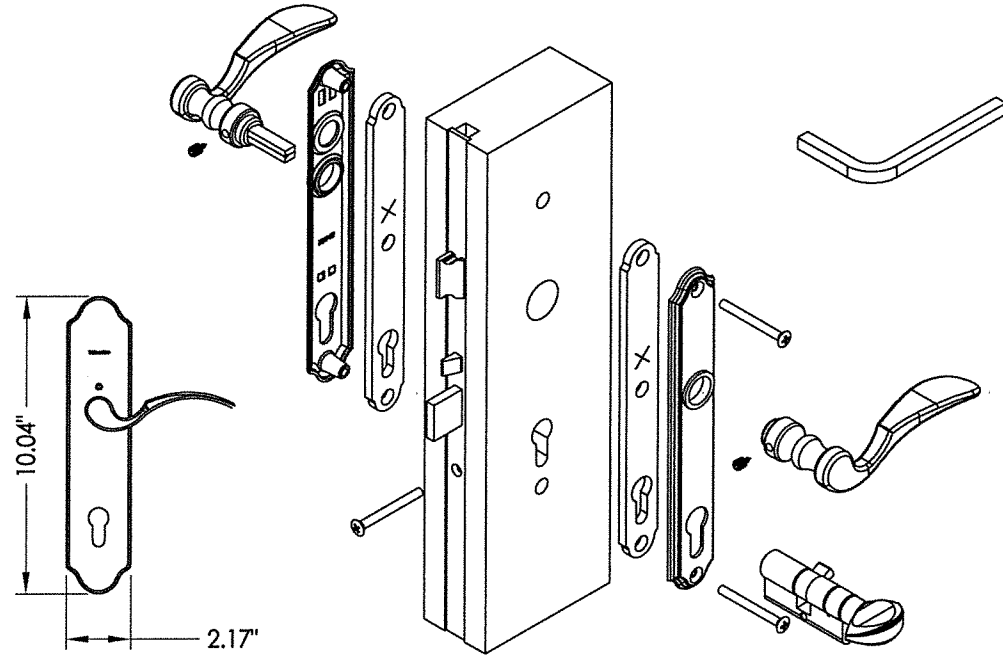
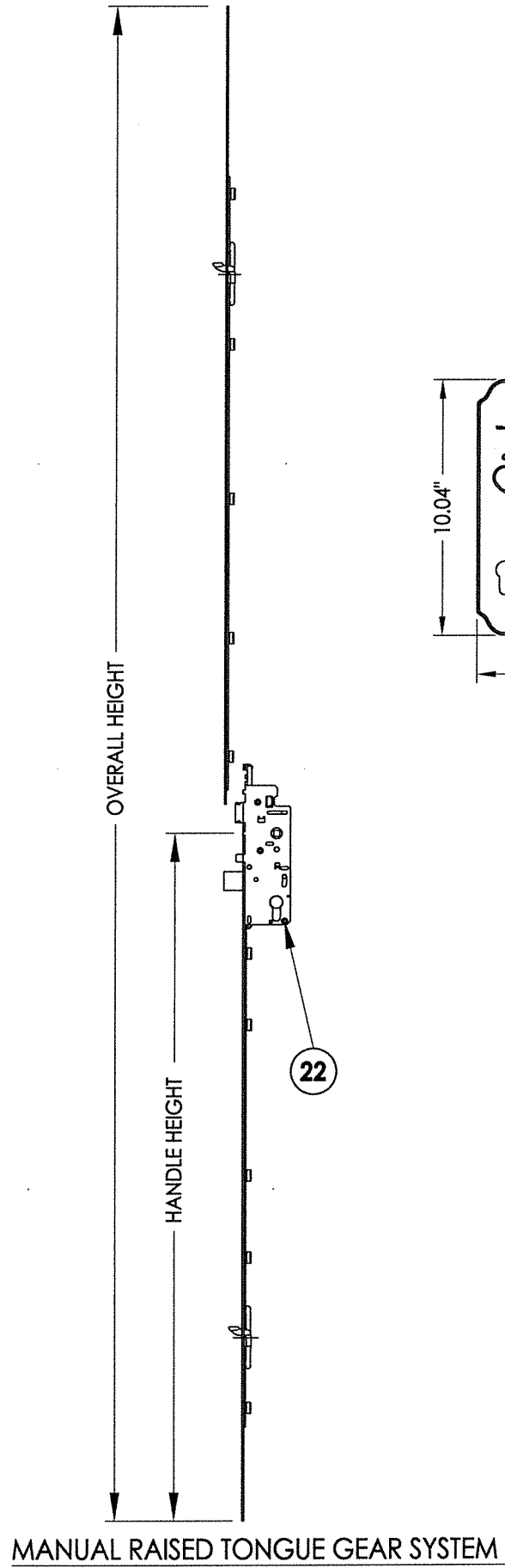
**RW** BUILDING CONSULTANTS, INC.  
 P.O. Box 230 Valrico FL 33595  
 Phone No.: 813.659.9197

TEXAS BOARD OF PROFESSIONAL ENGINEERS  
 CERTIFICATE OF REGISTRATION # F-11852

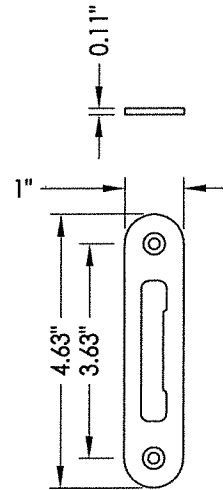
PRODUCT: WINCORE FIBERGLASS DOOR  
 PART OR ASSEMBLY:  
 VERTICAL CROSS SECTIONS

NO.	DATE	REVISIONS	BY
1	9/18/19	ADD FLAT FRAME & UPDATE TO 2018 IBC	LFS

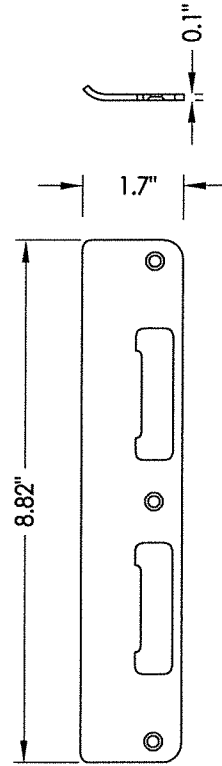
DATE: 05/30/12  
 SCALE: N.T.S.  
 DWG. BY: JK  
 CHK. BY: LFS  
 DRAWING NO.: TX-4159  
 SHEET 7 OF 11



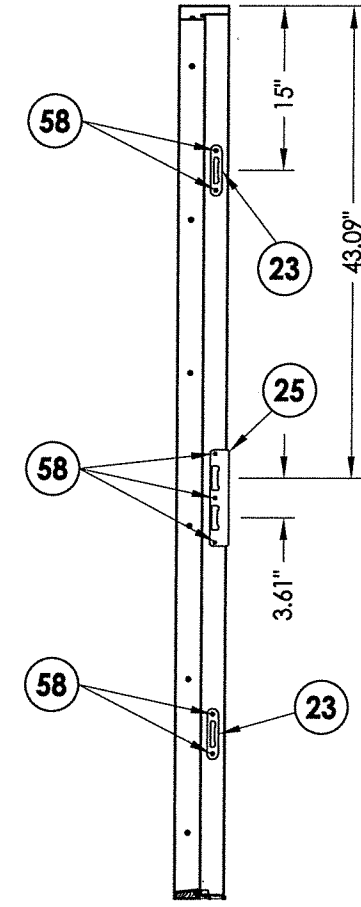
22 HOPPE MULTI-POINT LOCKSET  
3-Point "Tongue"



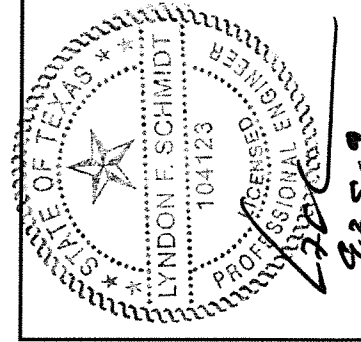
23 MULTI-POINT STRIKE PLATE



25 LATCH AND DEADBOLT STRIKE PLATE  
Tongue system



STRIKE JAMB



Documents Prepared By: Lyndon F. Schmidt, P.E.  
TEXAS P.E. #104123

**RW** BUILDING CONSULTANTS, INC.  
P.O. Box 230 Vairco FL 33595  
Phone No.: 813.659.9197

TEXAS BOARD OF PROFESSIONAL ENGINEERS  
CERTIFICATE OF REGISTRATION # F-11852

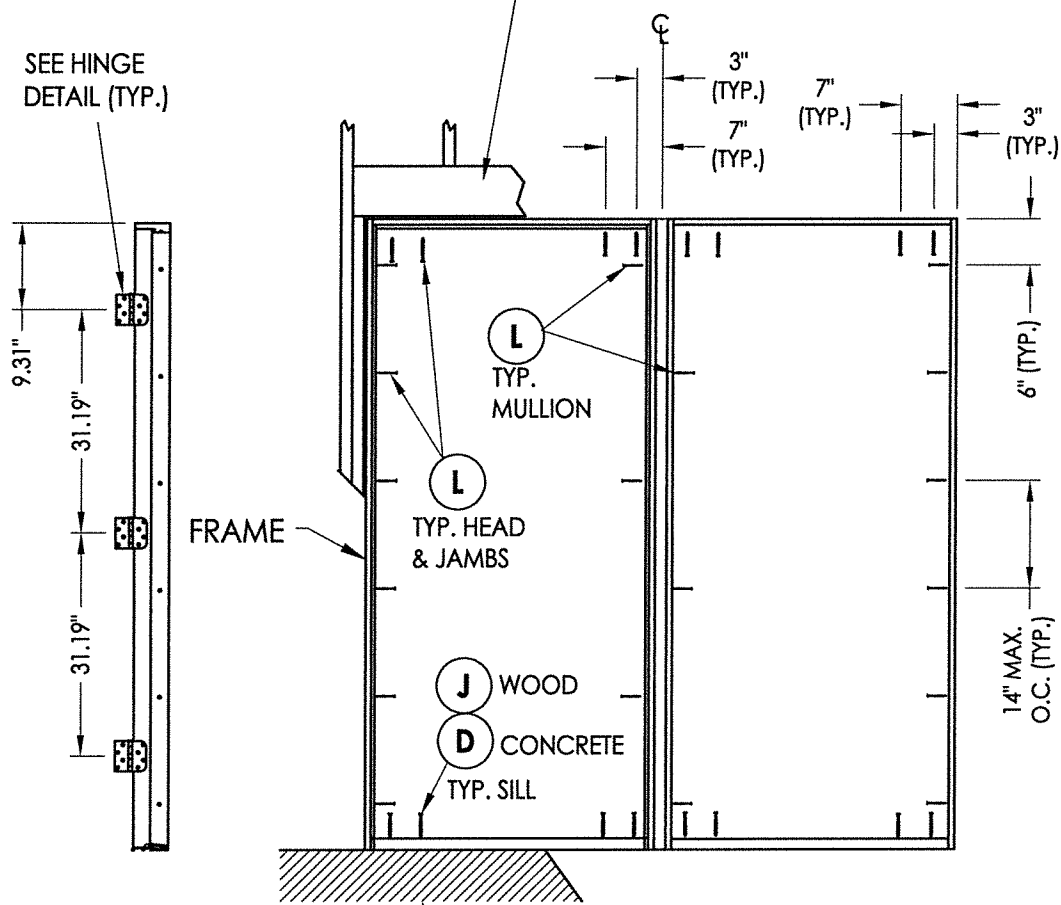
PRODUCT:		WINCORE FIBERGLASS DOOR	
DATE:		05/30/12	
SCALE:		N.T.S.	
DWG. BY:		JK	
CHK. BY:		LFS	
DRAWING NO.:		TX-4159	
SHEET		8 OF 11	
NO.		DATE	
BY		REVISIONS	
1		9/18/19 ADD FLAT FRAME & UPDATE TO LFS	
		2018 IBC	





R:\Clients\Wincore PERMANENT\B - Texas Dept of Ins\Doors\DR-555 - Opaque FG Entry Doors\C - Drawings\RWBC Drawings\TX-4159 REV.dwg, 10.2

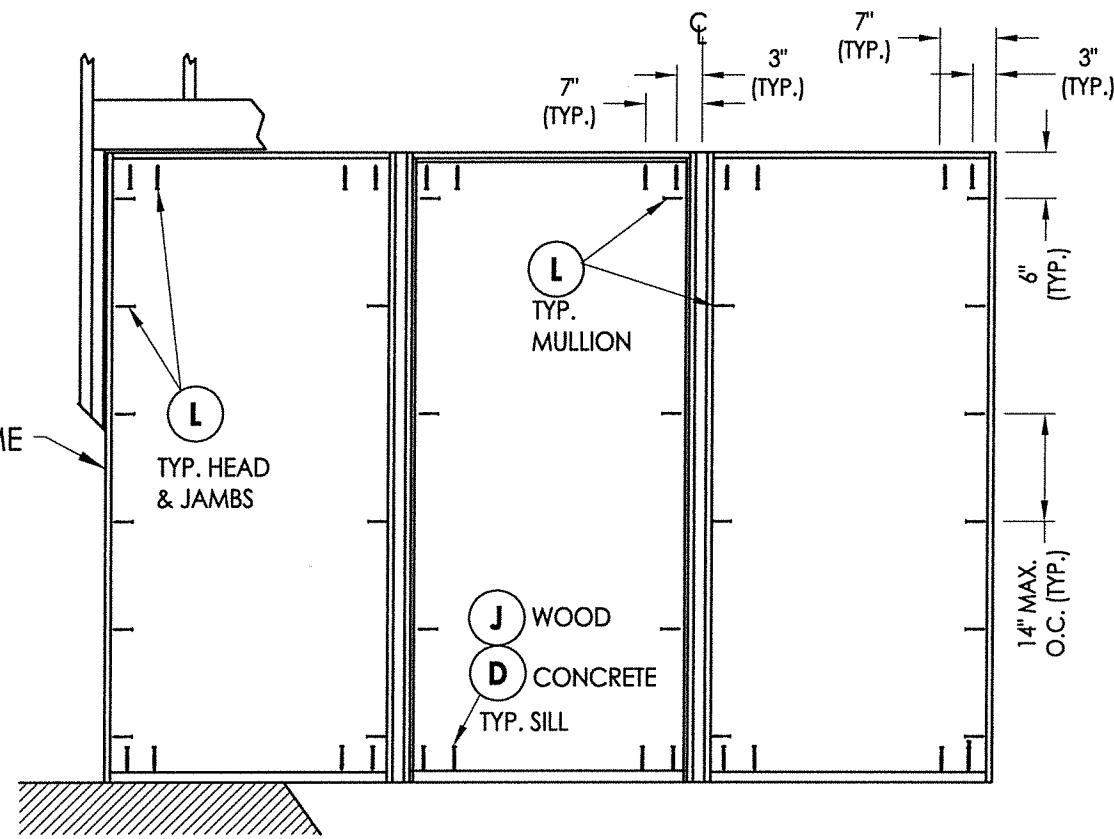
2X FRAMING TO BE DESIGNED BY THE ENGINEER OR ARCHITECT OF RECORD BASED ON WIND LOADS AND THE CLADDING BEING USED (TYP.).



**HINGE JAMB/MULLION**

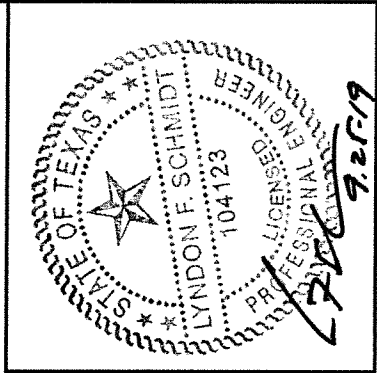
**FRAME ANCHORING**  
OX

FLOOR SUBSTRATE MATERIAL (TYP.)  
CONCRETE (MIN. 3000 PSI)  
WOOD (G >= 0.55)



**FRAME ANCHORING**  
OXO

**STRIKE MULLION**



Documents Prepared By: Lyndon F. Schmidt, P.E.  
TEXAS P.E. #104123

**RW** BUILDING CONSULTANTS, INC.  
P.O. Box 230 Valrico FL 33595  
Phone No.: 813.659.9197  
TEXAS BOARD OF PROFESSIONAL ENGINEERS  
CERTIFICATE OF REGISTRATION # F-11852

PRODUCT: WINCORE FIBERGLASS DOOR  
PART OR ASSEMBLY: FRAME ANCHORING

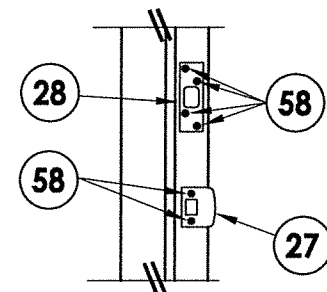
ADD FLAT FRAME & UPDATE TO 2018 IBC	LFS	BY
NO.	DATE	REVISIONS

**CONCRETE ANCHOR NOTES:**

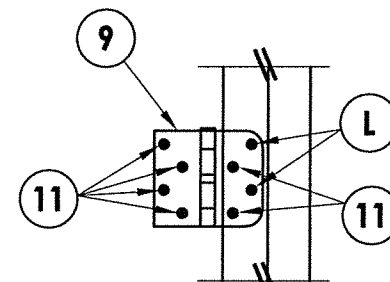
- Concrete anchor locations at the corners may be adjusted to maintain the min. edge distance to mortar joints. Concrete anchor locations noted as "MAX. ON CENTER" must be adjusted to maintain the min. edge distance to mortar joints, additional concrete anchors may be required to ensure the "MAX. ON CENTER" dimension are not exceeded.

Concrete anchor table:

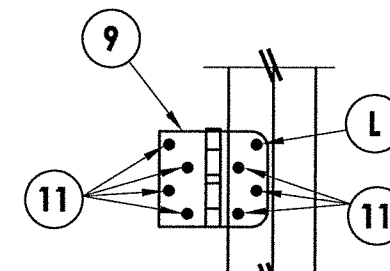
ANCHOR TYPE	ANCHOR SIZE	MIN. EMBEDMENT	MIN. CLEARANCE TO MASONRY EDGE	MIN. CLEARANCE TO ADJACENT ANCHOR
ITW TAPCON®	1/4"	1-1/4"	2-1/2"	3"



**LATCH AND DEADBOLT**  
Details



**HINGE DETAIL**  
Inswing



**HINGE DETAIL**  
Outswing

DATE: 05/30/12

SCALE: N.T.S.

DWG. BY: JK

CHK. BY: LFS

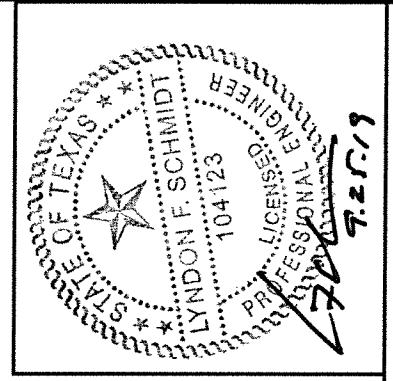
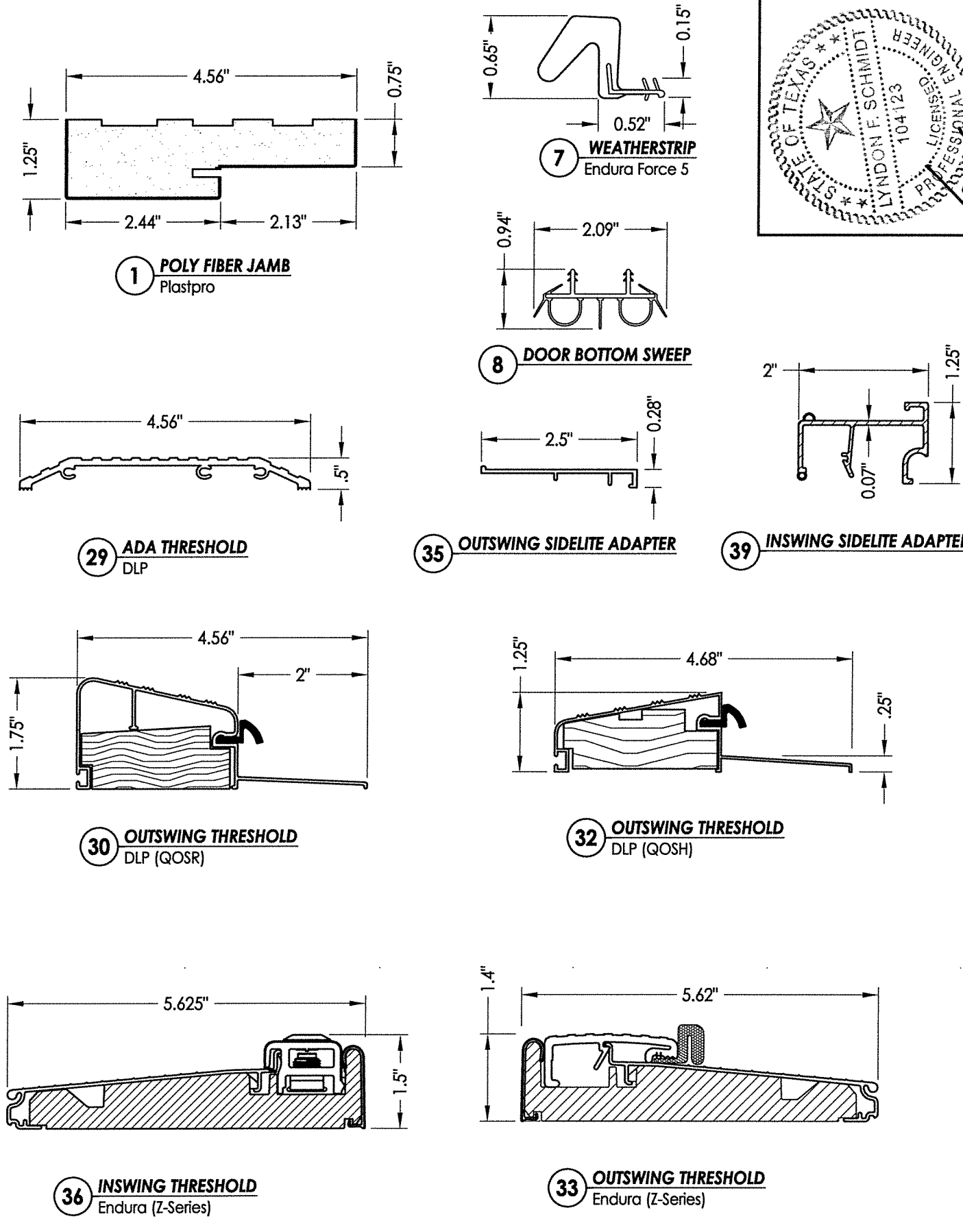
DRAWING NO.:

TX-4159

SHEET 10 OF 11

R:\Clients\Wincore PERMANENT\B - Texas Dept of Ins\Doors\DR-555 - Opaque FG Entry Doors\C - Drawings\RWBC Drawings\TX-4159 REV.dwg, 11.2

BILL OF MATERIALS		
ITEM #	DESCRIPTION	MATERIAL
A	2X FRAMING (G >= 0.55)	WOOD
C	1/4" MAX. SHIM SPACE	-
D	1/4" PFH ITW CONCRETE SCREW (1-3/4" MIN. EMB.)	STEEL
J	#10 X 3" PFH WOOD SCREW	STEEL
K	#9 X 2-1/2" PFH WOOD SCREW	STEEL
L	#8 X 2-1/2" PFH WOOD SCREW	STEEL
1	POLY FIBER JAMB	COMP. / VINYL
3	EXT. "TRADITIONAL" FRAME (ODL)	ALUM.
4	INT. "TRADITIONAL" FRAME (ODL)	ALUM.
5	#7-19 X 1-3/4" PPH SELF-DRILLING SMS	STEEL
7	WEATHERSTRIP	FOAM
8	DOOR BOTTOM SWEEP	VINYL
9	4" X 4" BUTT HINGE	STEEL
11	#9 X 3/4" PFH WOOD SCREW	STEEL
12	NON-STRUCTURAL SEALANT	SILICONE
13	STRUCTURAL SILICONE (DOW 995)	SILICONE
15	EXT. "FLAT" FRAME (ODL)	ALUM.
16	INT. "FLAT" FRAME (ODL)	ALUM.
17	#8 X 2" PPH SMS	STEEL
22	HOPPE - 3 POINT "TONGUE" MULTI-POINT LOCKSET	STEEL
23	MULTI-POINT STRIKE PLATE (TONGUE SYSTEM)	STEEL
25	LATCH AND DEADBOLT STRIKE PLATE (TONGUE SYSTEM)	STEEL
27	LATCH STRIKE PLATE	STEEL
28	DEADBOLT STRIKE PLATE (SECURITY)	STEEL
29	ADA THRESHOLD	ALUM
30	OUTSWING THRESHOLD	ALUM/WOOD
32	OUTSWING THRESHOLD	ALUM/WOOD
33	OUTSWING THRESHOLD	ALUM/COMP
35	OUTSWING SIDELITE ADAPTER	VINYL
36	INSWING THRESHOLD	ALUM/COMP
39	INSWING SIDELITE ADAPTER	VINYL
40	DOOR PANEL - SEE DOOR PANEL DETAIL SHEET FOR DETAILS	-
50	SIDELITE PANEL - SEE SIDELITE PANEL DETAIL SHEET FOR DETAILS	-
55	#10 X 1-1/2" PFH SCREW	STEEL
57	BACKING PLATE	STEEL
58	#8 X 2" PFH WS	STEEL
59	W & F TRILENNIUM SERIES 3000 - 3 POINT LOCK	-
60	MULTI-POINT STRIKE PLATE	STEEL
62	LOCK ASSEMBLY	STEEL
88	2X REINFORCEMENT SG >= 0.55	WOOD



Documents Prepared By: Lyndon F. Schmidt, P.E.  
TEXAS P.E. #104123

**RW** BUILDING CONSULTANTS, INC.  
P.O. Box 230 Valrico FL 33595  
Phone No.: 813.659.9197

TEXAS BOARD OF PROFESSIONAL ENGINEERS  
CERTIFICATE OF REGISTRATION # F-11852

PRODUCT: WINCORE FIBERGLASS DOOR PART OR ASSEMBLY: BILL OF MATERIALS

NO.	DATE	REVISIONS
1	9/18/19	ADD FLAT FRAME & UPDATE TO 2018 IBC

DATE: 05/30/12  
SCALE: N.T.S.  
DWG. BY: JK  
CHK. BY: LFS  
DRAWING NO.: TX-4159  
SHEET 11 OF 11

© 2012 R.W. BUILDING CONSULTANTS INC.