

GENERAL NOTES:

- ALL FASTENERS SHALL BE IN ACCORDANCE WITH THESE DRAWINGS. SPECIFIED ANCHOR EMBED TO BASE MATERIAL SHALL BE BEYOND WALL FINISH OR STUCCO.
- OPENINGS, BUCKING & BUCKING FASTENERS MUST BE PROPERLY DESIGNED & INSTALLED TO TRANSFER WIND LOADS TO THE STRUCTURE.
- THESE IMPACT RATED PRODUCT INSTALLATIONS ARE IN ACCORDANCE WITH AND MEET THE REQUIREMENTS OF THE 2018 INTERNATIONAL BUILDING CODE (IBC).
- ALL ANCHORS SECURING PRODUCT FRAME TO PRESSURE TREATED BUCKS OR WOOD FRAMING SHALL BE CAPABLE OF RESISTING CORROSION CAUSED BY THE PRESSURE TREATING CHEMICALS IN THE WOOD.
- TO THE BEST OF OUR KNOWLEDGE, THE PRODUCT SHOWN HEREIN IS CERTIFIED & QUALITY ASSURED BY A NATIONALLY ACCREDITED CERTIFICATION/QA ENTITY & SHALL BE LABELED IN ACCORDANCE WITH CERTIFICATION/QA ENTITIES SPECIFICATIONS. PRODUCT ASSEMBLY IS NOT PART OF THIS DRAWING AND SHALL BE IN ACCORDANCE WITH THE MANUFACTURER'S QUALITY ASSURANCE SPECIFICATIONS & TESTING REPORTS.
- CERTIFICATION OF THESE PRODUCT INSTALLATIONS SHALL BE CONSIDERED VOID IF ANY OF THE FOLLOWING APPLY: 1) THEY ARE INSTALLED WITHOUT A BUILDING PERMIT FROM THE APPLICABLE LOCAL BUILDING DEPARTMENT. 2) IF THEY ARE INSTALLED BY ANYONE OTHER THAN A LICENSED CONTRACTOR EXPERIENCED WITH WINDOW/DOOR INSTALLATIONS. 3) IF CHANGES HAVE OCCURRED TO THE PRODUCT'S CERTIFICATION ENTITY'S CERTIFICATE THAT CAUSE THESE INSTALLATIONS TO BE INCORRECT OR INCONSISTENT WITH WHAT HAS BEEN TESTED.
- THE LEAST DESIGN PRESSURE SPECIFIED EITHER IN THIS DRAWING OR IN THE PRODUCTS CERTIFICATION SHALL CONTROL FOR THE INSTALLED PRODUCT.
- THESE DRAWINGS CERTIFY THE PRODUCT INSTALLATION ONLY. WATER PROOFING OF THE INSTALLED PRODUCT IS NOT PART OF THIS INSTALLATION CERTIFICATION. THAT RESPONSIBILITY SHALL BE THAT OF THE MANUFACTURER &/OR INSTALLER.

ANCHOR/SUBSTRATE EVALUATION NOTE:

ALL ANCHORS IN THEIR SPECIFIED SUBSTRATES HAVE BEEN ANALYZED IN ACCORDANCE WITH THEIR APPLICABLE STANDARD(S) AND ARE FOUND TO BE CAPABLE OF SUPPORTING ALL LOADS IMPOSED ON THEM UNDER THE GUIDELINES OF THIS DOCUMENT. ANY SUBSTRATES OR CONDITIONS OUTSIDE OF WHAT IS SHOWN HERE-IN SHALL BE SUBJECT TO JOB SPECIFIC ENGINEER'S REVIEW & CERTIFICATION.

INSTALLATION EVALUATION IS BASED ON APPLICABLE ANCHOR STANDARDS AND/OR INFORMATION & RESULTS FROM APPLICABLE TEST REPORTS. THE BUILDING CODE VERSION CONSIDERED WITH THE EVALUATION WAS THAT IN FORCE AT THE TIME OF THE EVALUATION. IN THE EVENT OF CODE VERSION CHANGES/UPDATES OR IN THE EVENT THAT NEW OR ADDITIONAL TESTING IS COMPLETED ON THE REFERENCED PRODUCT, PRIOR TO STATING CODE COMPLIANCE, THE MANUFACTURER SHALL CONFIRM WITH THE INSTALLATION EVALUATION ENGINEER OF RECORD THAT THE INSTALLATIONS SPECIFIED HERE-IN ARE CURRENT WITH THE THEN CURRENT TESTING, CODE AND APPLICABLE STANDARDS.

FRAME ANCHOR REQUIREMENTS TABLE

OPENING TYPE (SUBSTRATE)	FRAME/CLIP/ TO OPENING FASTENER TYPE	MINIMUM EMBED	MINIMUM EDGE DIST.
FRAME/SILL SCREWS			
(2) MIN. 2X6 WOOD FRAME OR BUCK (MIN. GR. 3 & G=0.55)	NO. 10 SMS OR WOOD SCREW	1 1/4"	3/4"
MIN. 18 GA. 33 KSI METAL STUD	NO. 10 GR. 5 SELF TAP/DRILL SCREW	FULL	1/2"
MIN. 1/8" THK A36 STEEL	NO. 10 GR. 5 SELF TAP/DRILL SCREW	FULL	1/2"
MIN. 1/8" THK 6063-T5 ALUM.	NO. 10 GR. 5 SELF TAP/DRILL SCREW	FULL	1/2"
C-90 CMU/2500 PSI CONCRETE	(1) 1/4" CONCRETE SCREW	1 1/4"	2"

INSTALLATION CLIP SCREWS

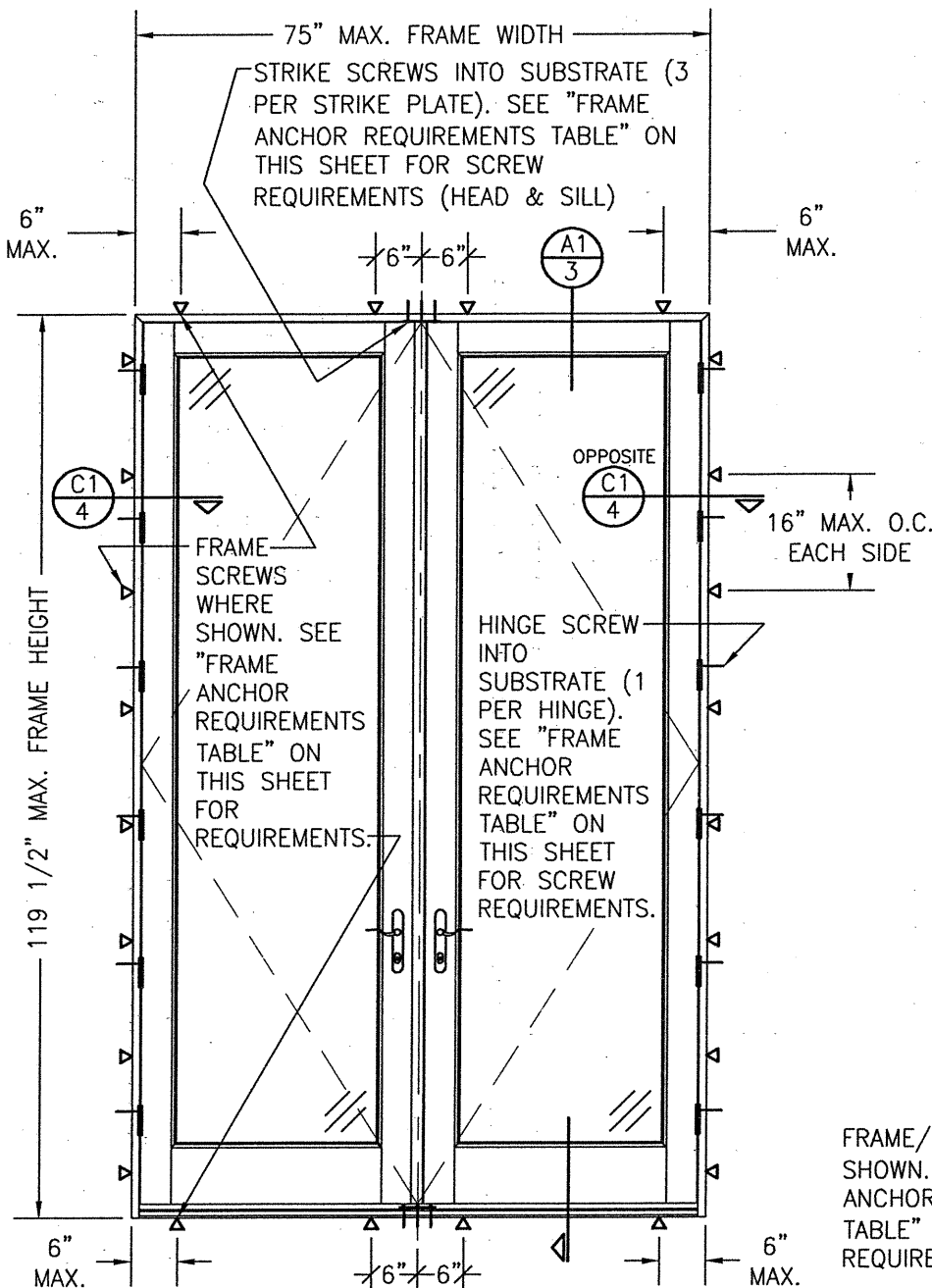
MIN. 2X6 WOOD FRAME OR BUCK (MIN. GR. 3 & G=0.55)	NO. 8 X 1 1/2" SMS	1 3/8"	3/4"
MIN. 18 GA. 33 KSI METAL STUD	NO. 8 GR. 5 SELF TAP/DRILL SCREW	FULL	1/2"
MIN. 1/8" THK A36 STEEL	NO. 8 GR. 5 SELF TAP/DRILL SCREW	FULL	1/2"
MIN. 1/8" THK 6063-T5 ALUM.	NO. 8 GR. 5 SELF TAP/DRILL SCREW	FULL	1/2"

HINGE & STRIKE SCREWS

(2) MIN. 2X6 WOOD FRAME OR BUCK (MIN. GR. 3 & G=0.55)	NO. 8 SMS OR WOOD SCREW	1 1/4"	3/4"
MIN. 18 GA. 33 KSI METAL STUD	NO. 8 GR. 5 SELF TAP/DRILL SCREW	FULL	1/2"
MIN. 1/8" THK A36 STEEL	NO. 8 GR. 5 SELF TAP/DRILL SCREW	FULL	1/2"
MIN. 1/8" THK 6063-T5 ALUM.	NO. 8 GR. 5 SELF TAP/DRILL SCREW	FULL	1/2"
C-90 CMU/2500 PSI CONCRETE	(1) 3/16" CONCRETE SCREW	1 1/2"	2"

(1) CONCRETE SCREWS SHALL BE ELCO ULTRACONS, ELCO CRETE-FLEX, ITW RAMSET/RED HEAD TAPCONS OR HILTI KWIK-CON II (HARDENED STEEL OR S.S.).

(2) 2X6 BUCKS MAY BE RIPPED DOWN TO MIN 4 1/4" DEPTH EXCEPT WHEN THE INSTALLATION CLIP CONDITION APPLIES.



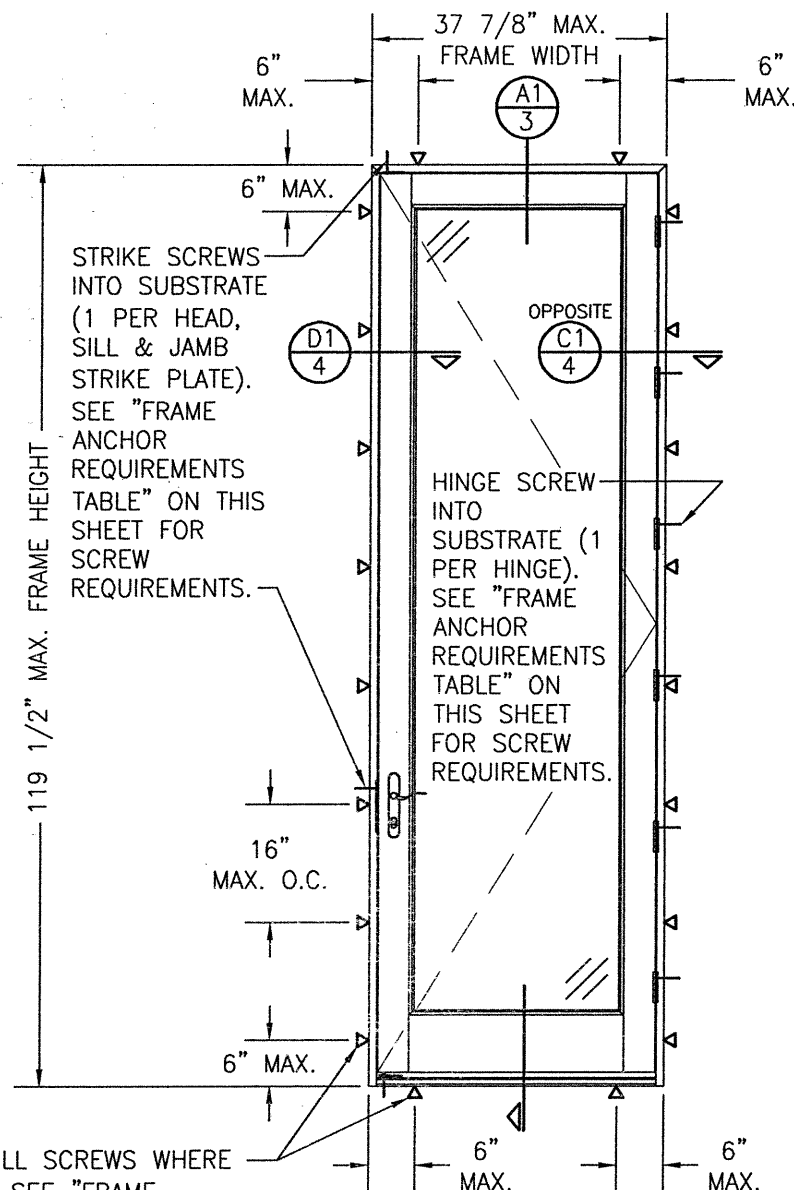
**INTERIOR ELEVATION:
DOUBLE RECTANGULAR DOOR**

SCALE: 1/2" = 1'-0"
(FRAME SCREW MOUNT CONDITION)

EDGE DISTANCE MAY BE DECREASED TO 1/2" IF SCREWS ARE ANGLED 15 TO 20 DEGREES AWAY FROM THE EDGE.

HINGE REQUIREMENTS

MAX. FRAME HEIGHT	QUANTITY PER PANEL
119.5"	6
107.875"	5
99.375"	4
83.875"	3



**INTERIOR ELEVATION:
SINGLE RECTANGULAR DOOR**

SCALE: 1/2" = 1'-0"
(FRAME SCREW MOUNT CONDITION)

ALLOWABLE DESIGN PRESSURE

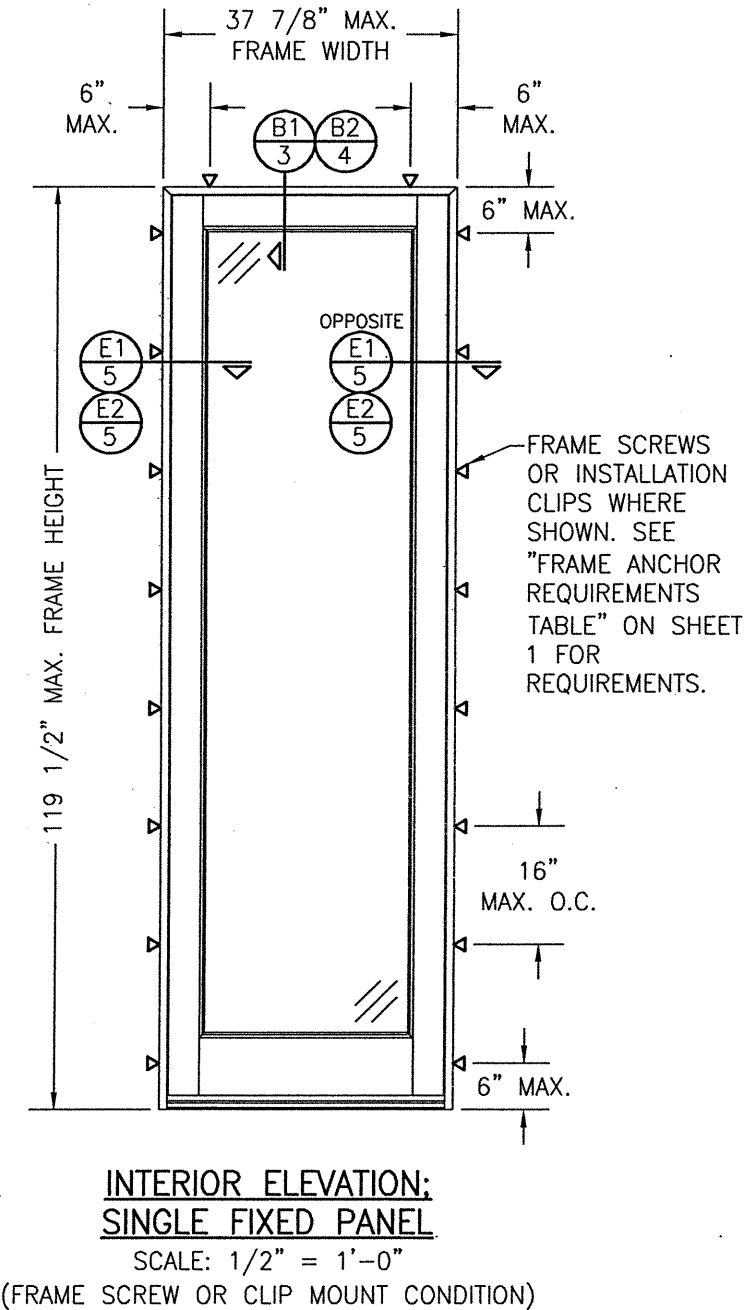
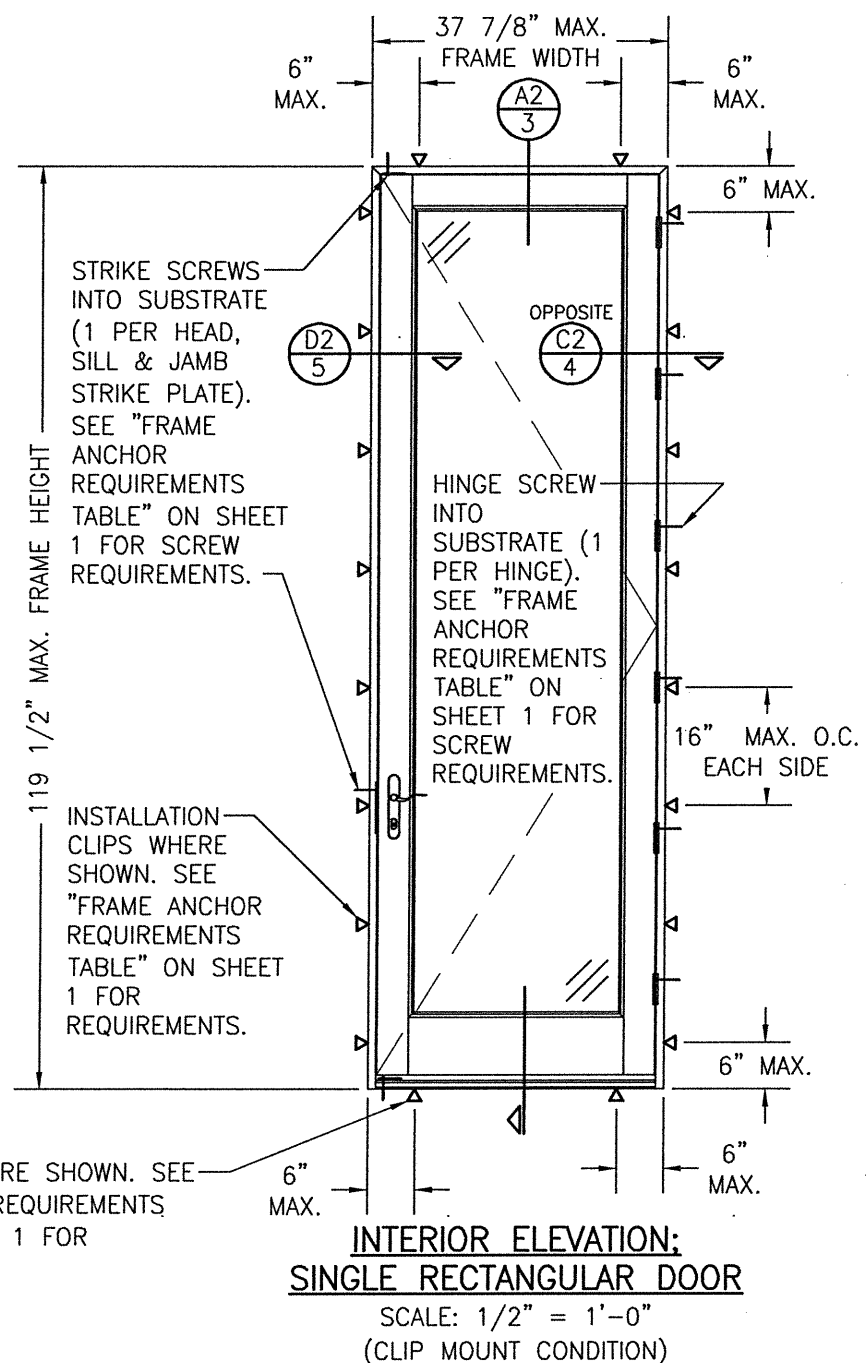
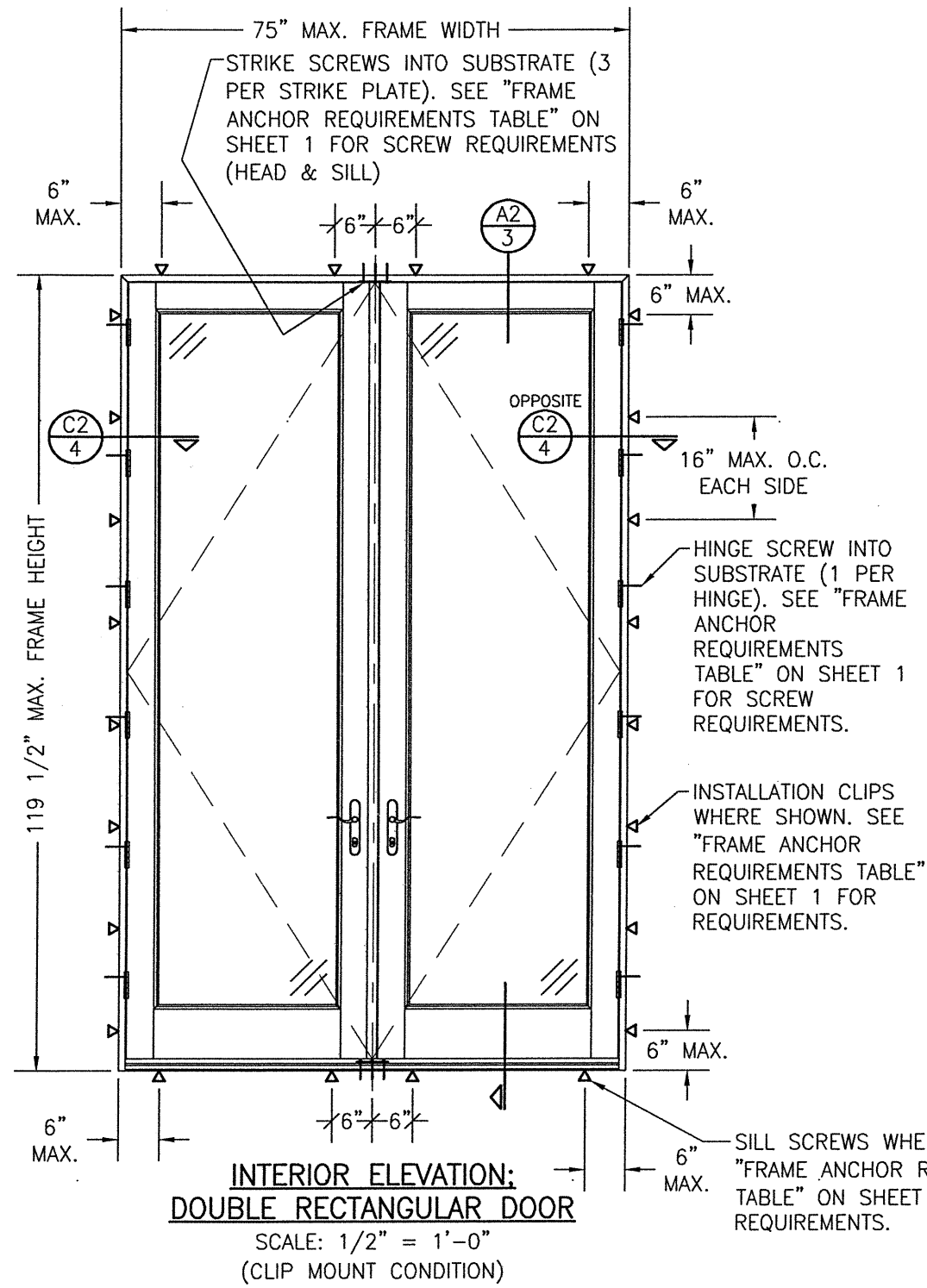
MAX. FRAME WIDTH (IN.)	MAX. FRAME HEIGHT (IN.)	ALLOWABLE PRESSURE	
		POSITIVE (PSF)	NEGATIVE (PSF)
DOUBLE OPERABLE DOORS			
75	119 1/2	40	40
75	95 1/2	55	55
SINGLE OPERABLE DOORS			
37 7/8	119 1/2	40	40
37 7/8	95 1/2	55	55
FIXED PANEL DOORS			
37 7/8	119 1/2	55	70

INSTALLATION NOTE:

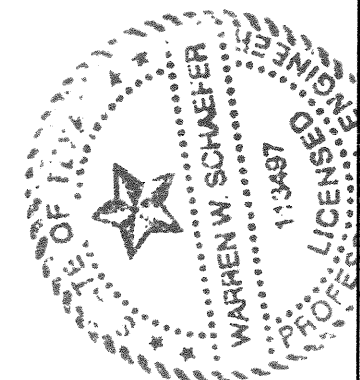
WHEN NECESSARY, INSTALLATION METHODS MAY BE MIXED WITH ANY ONE DOOR SUCH THAT INDIVIDUAL SIDES OF THE DOOR MAY USE ONE OR THE OTHER ANCHOR METHOD (EXAMPLE: LEFT SIDE MAY USE CLIP METHOD WHILE OTHER SIDES USE FRAME SCREWS)

THESE DRAWINGS ARE APPLICABLE ONLY TO THE PRODUCT SPECIFIED. THEY MAY NOT BE USED FOR THE ASSEMBLY AND/OR INSTALLATION OF ANY OTHER PRODUCT NOR MAY THEY BE USED FOR RATIONAL AND/OR LOCAL APPROVAL OF ANY PRODUCT NOT PRODUCED BY THE MANUFACTURER STATED ON THESE DRAWINGS.

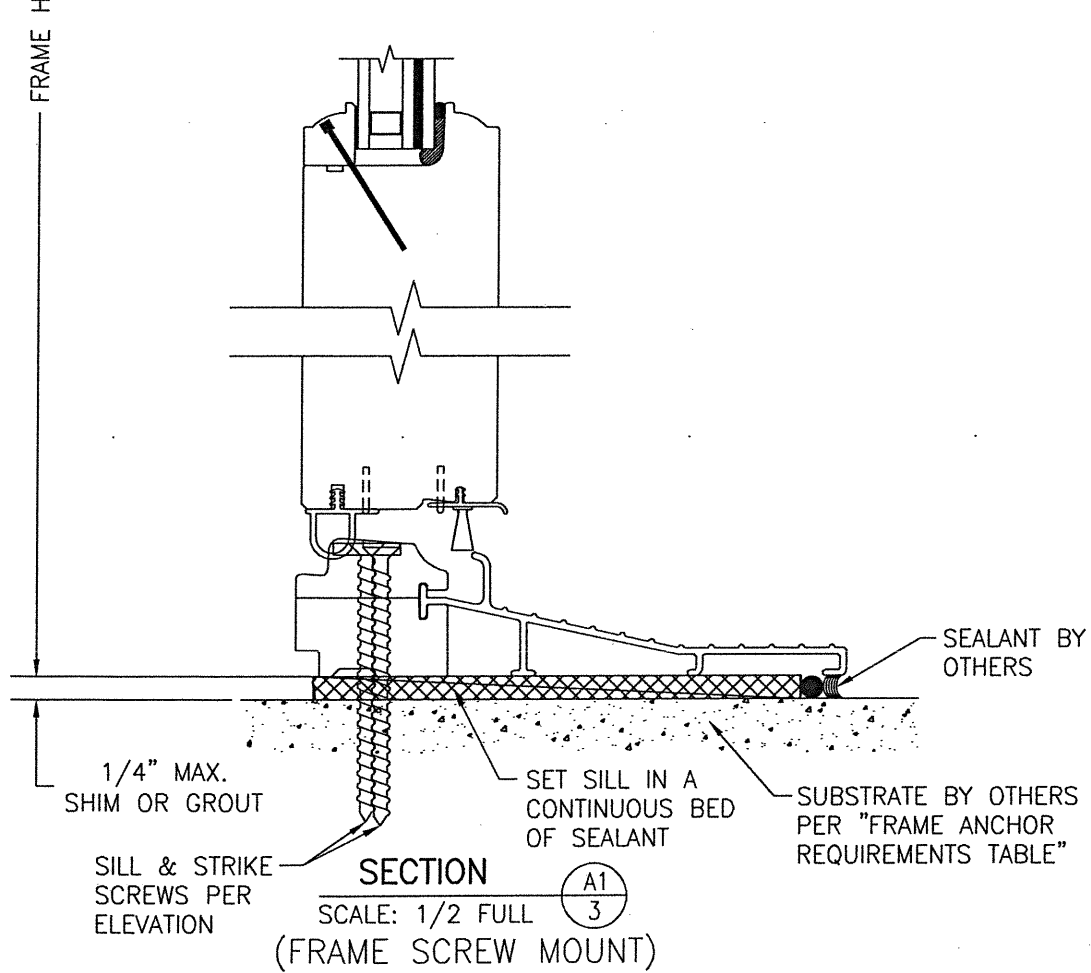
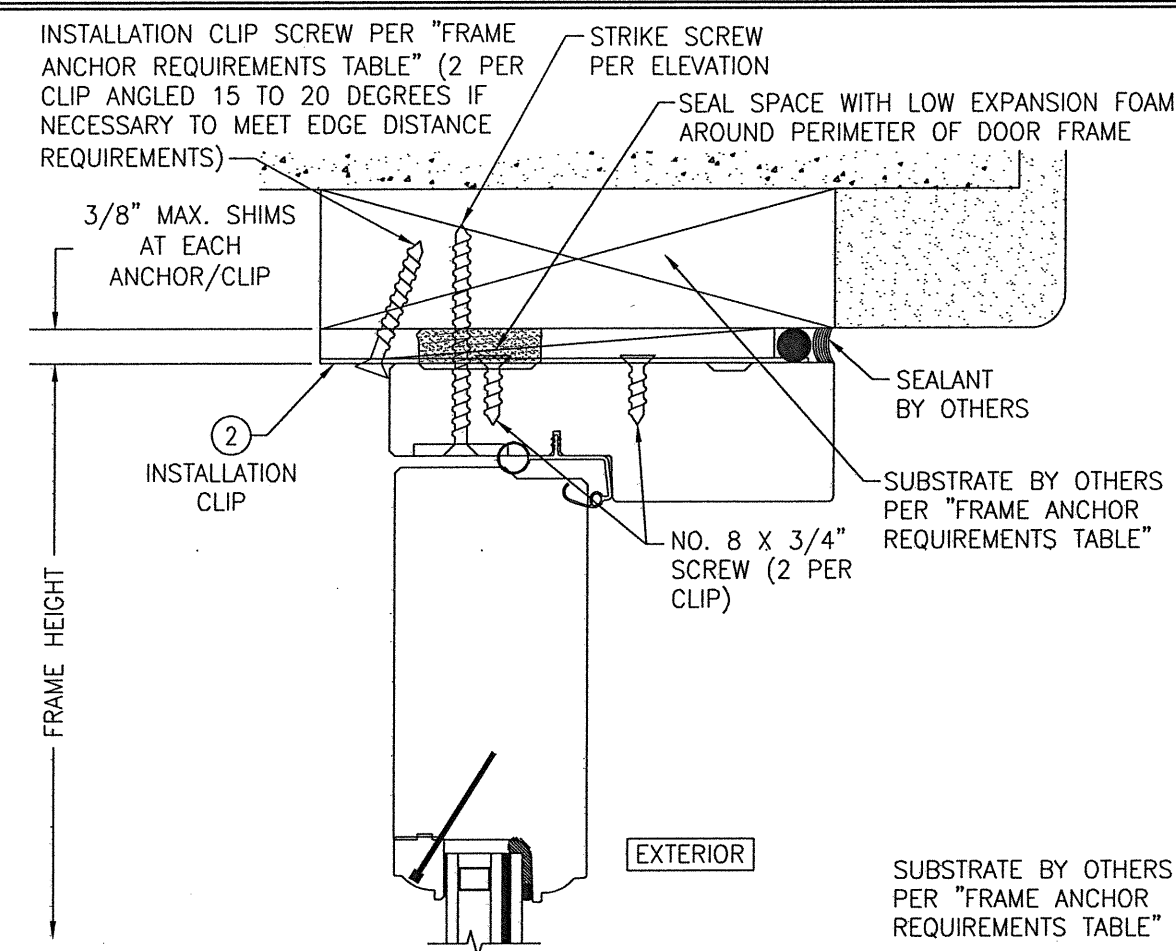
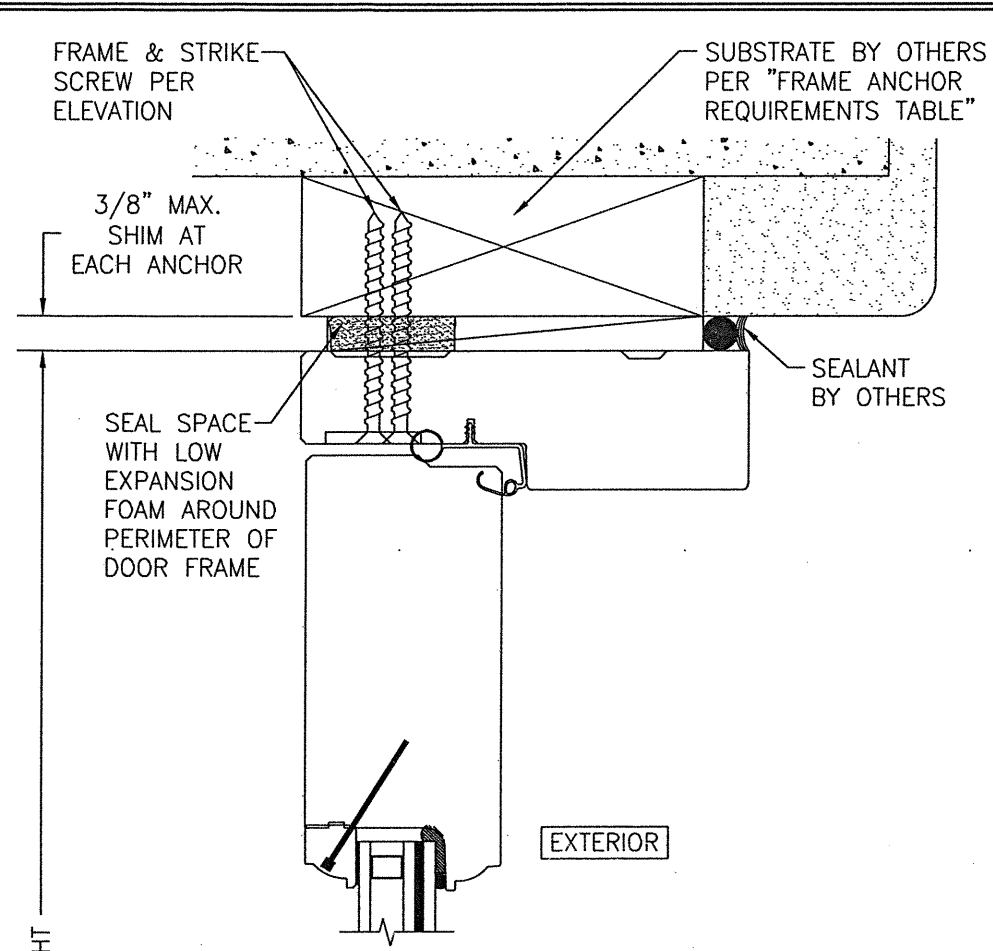
<small>DRAWN BY:</small> W.W.S.	<small>CHECKED BY:</small> W.W.S.	<small>DATE:</small> 06/08/21	<small>DATE:</small> 1-24
<small>REVISION DESCRIPTION</small>	<small>NO.</small>	<small>BY</small>	<small>DATE</small>
PELLA ARCHITECT IMPACT WOOD IN-SWING DOOR INSTALLATIONS			
<small>JOB INFORMATION:</small>		PELLA CORPORATION 102 MAIN STREET PELLA, IA 50219 641-621-1000	
<small>CONSULTANTS</small>		W. W. SCHAEFER ENGINEERING & CONSULTING, P.A. (REG. NO. F-14980) 7480 150TH COURT NORTH PALM BEACH GARDENS, FL 33418 PHONE: 561-744-3424	
JUN 08 2021 			
<small>DRAWING NO.</small>	<small>REV.</small>	<small>SHEET NO.</small>	
1723T		1 OF 5	



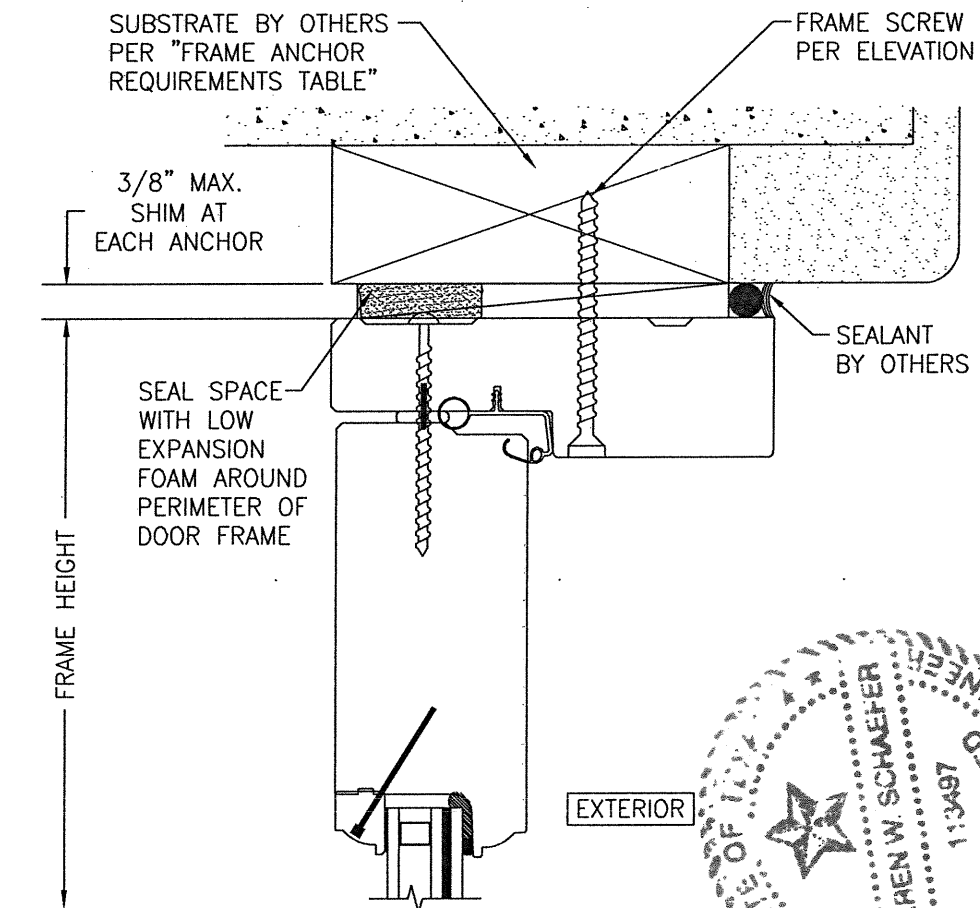
**INTERIOR ELEVATION:
SINGLE FIXED PANEL**
SCALE: 1/2" = 1'-0"
(FRAME SCREW OR CLIP MOUNT CONDITION)



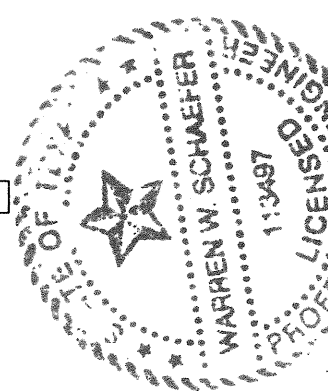
DRAWN BY: W.W.S.		CHECKED BY: W.W.S.	
PLOT: 1=24		DATE: 06/08/21	
NO.	REVISION DESCRIPTION	BY	DATE
DRAWING TITLE PELLA ARCHITECT IMPACT WOOD IN-SWING DOOR INSTALLATIONS			
JOB INFORMATION: PELLA CORPORATION 102 MAIN STREET PELLA, IA 50219 641-621-1000			
CONSULTANTS W. W. SCHAEFER ENGINEERING & CONSULTING, P.A. (REG. NO. F-14980) 7480 150TH COURT NORTH PALM BEACH GARDENS, FL 33418 PHONE: 561-744-3424			
DRAWING NO. 1723T			
SHEET NO. 2 OF 5			
DATE JUN 08 2021			
P.E. NO. 113497			



SECTION A2/3
 SCALE: 1/2 FULL
 (CLIP MOUNT)
 (HEAD ONLY SHOWN. FOR SILL SECTION SEE SECTION A1/3.)

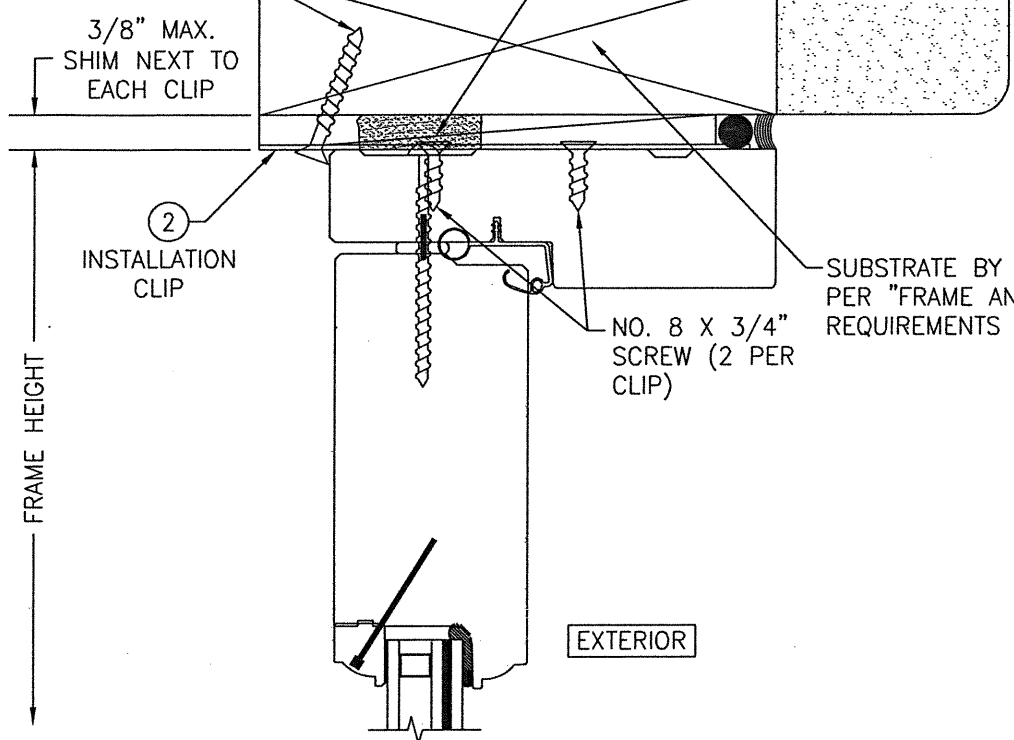


SECTION B1/3
 SCALE: 1/2 FULL
 (FRAME SCREW MOUNT)



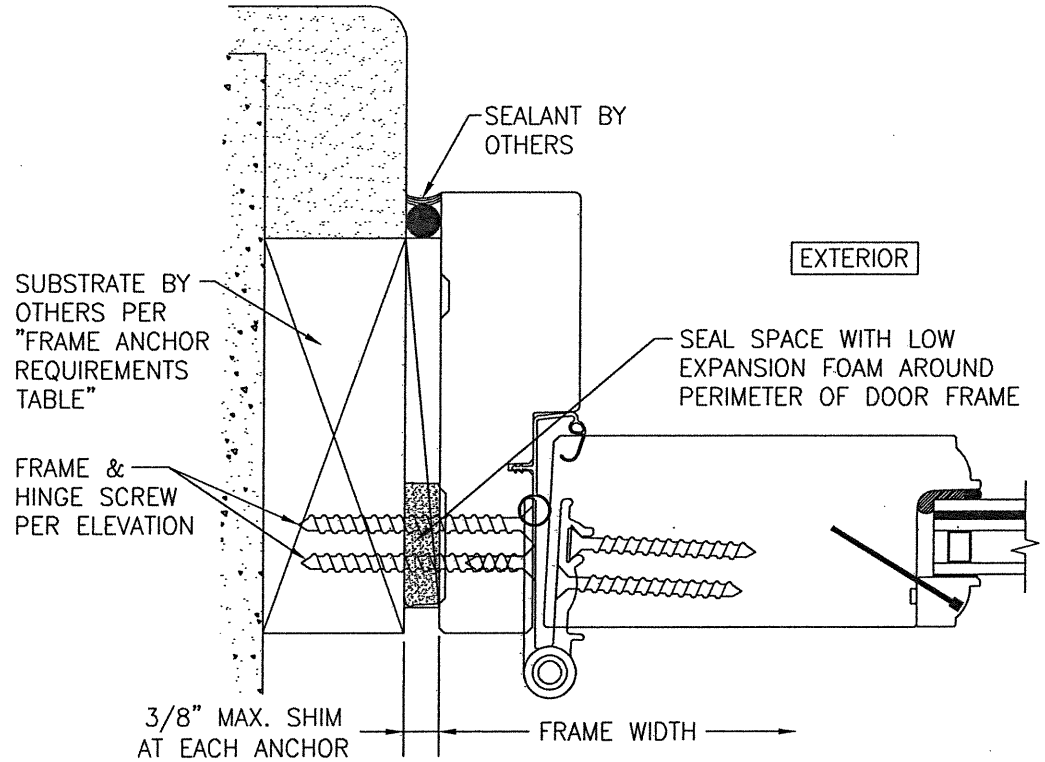
DRAWN BY: W.W.S.		CHECKED BY: W.W.S.	
PLOT: 1=2		DATE: 06/08/21	
NO.	REVISION DESCRIPTION	BY	DATE
DRAWING TITLE: PELLA ARCHITECT IMPACT WOOD IN-SWING DOOR INSTALLATIONS			
CONSULTANTS: W. W. SCHAEFER ENGINEERING & CONSULTING, P.A. (REG. NO. F-14980)			
JOB INFORMATION: PELLA CORPORATION, 102 MAIN STREET, PELLA, IA 50219, 641-621-1000			
7480 150TH COURT NORTH, PALM BEACH GARDENS, FL 33418, PHONE: 561-744-3424			
CERTIFICATION: JUN 08 2021			
WARREN W. SCHAEFER, P.E., E. NO. 113497			
DRAWING NO.	REV.	SHEET NO.	
1723T		3 OF 5	

INSTALLATION CLIP SCREW PER "FRAME ANCHOR REQUIREMENTS TABLE" (2 PER CLIP ANGLED 15 TO 20 DEGREES IF NECESSARY TO MEET EDGE DISTANCE REQUIREMENTS)



FRAME HEIGHT

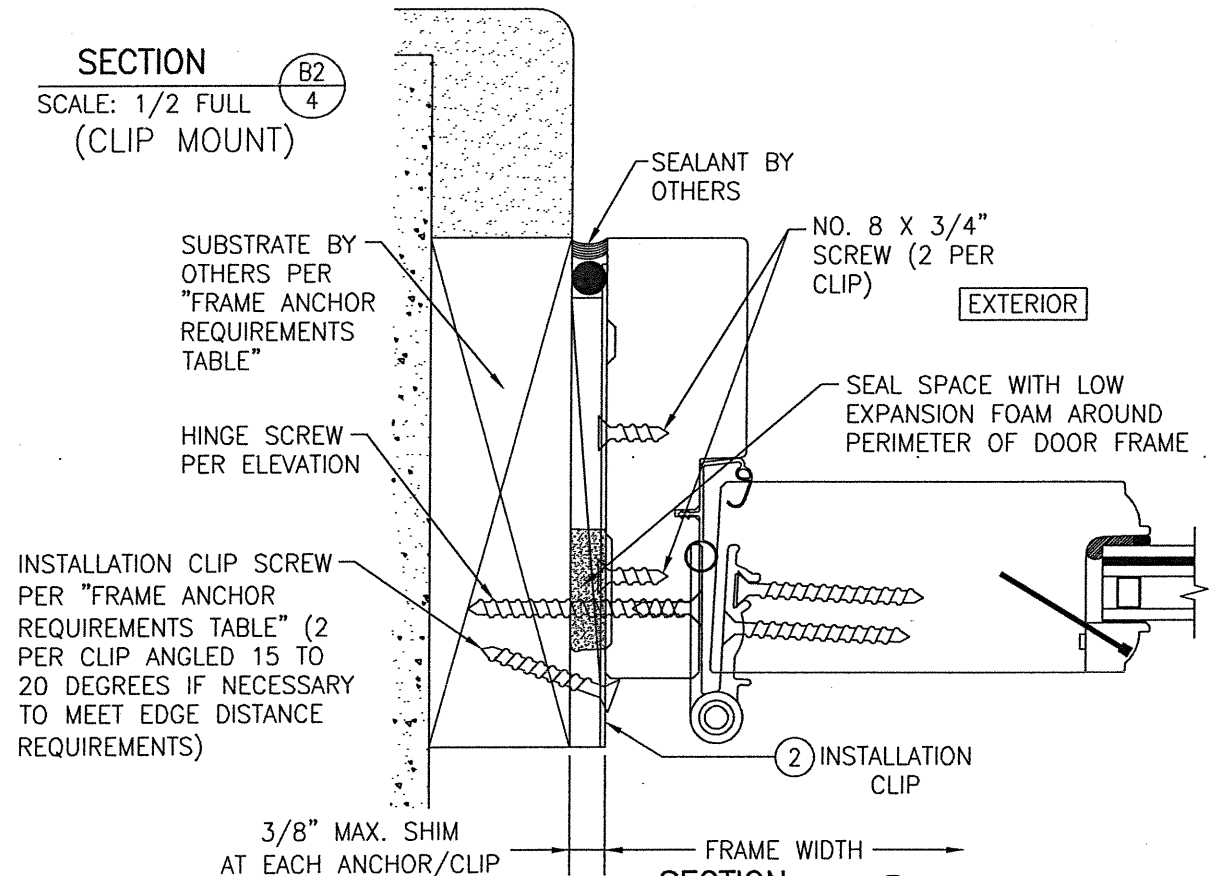
EXTERIOR



EXTERIOR

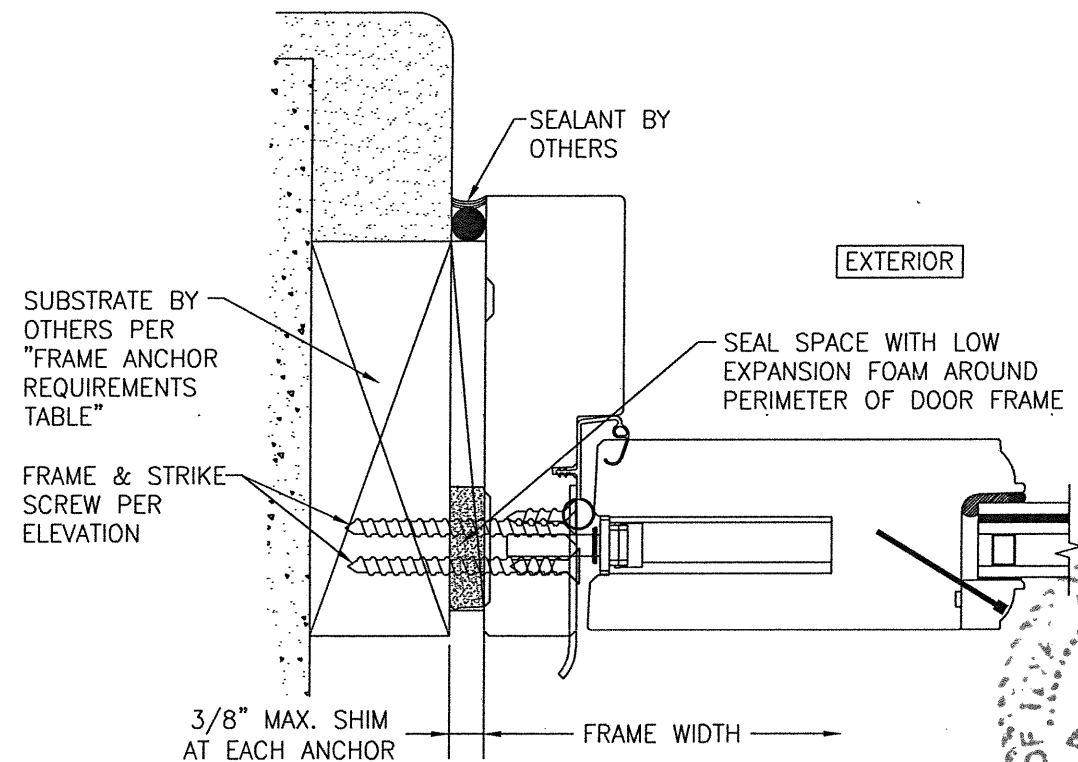
SECTION C1
SCALE: 1/2 FULL
(FRAME SCREW MOUNT)

SECTION B2
SCALE: 1/2 FULL
(CLIP MOUNT)



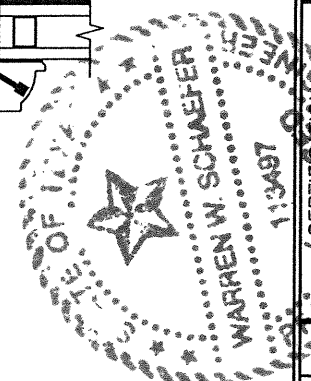
EXTERIOR

SECTION C2
SCALE: 1/2 FULL
(CLIP MOUNT)

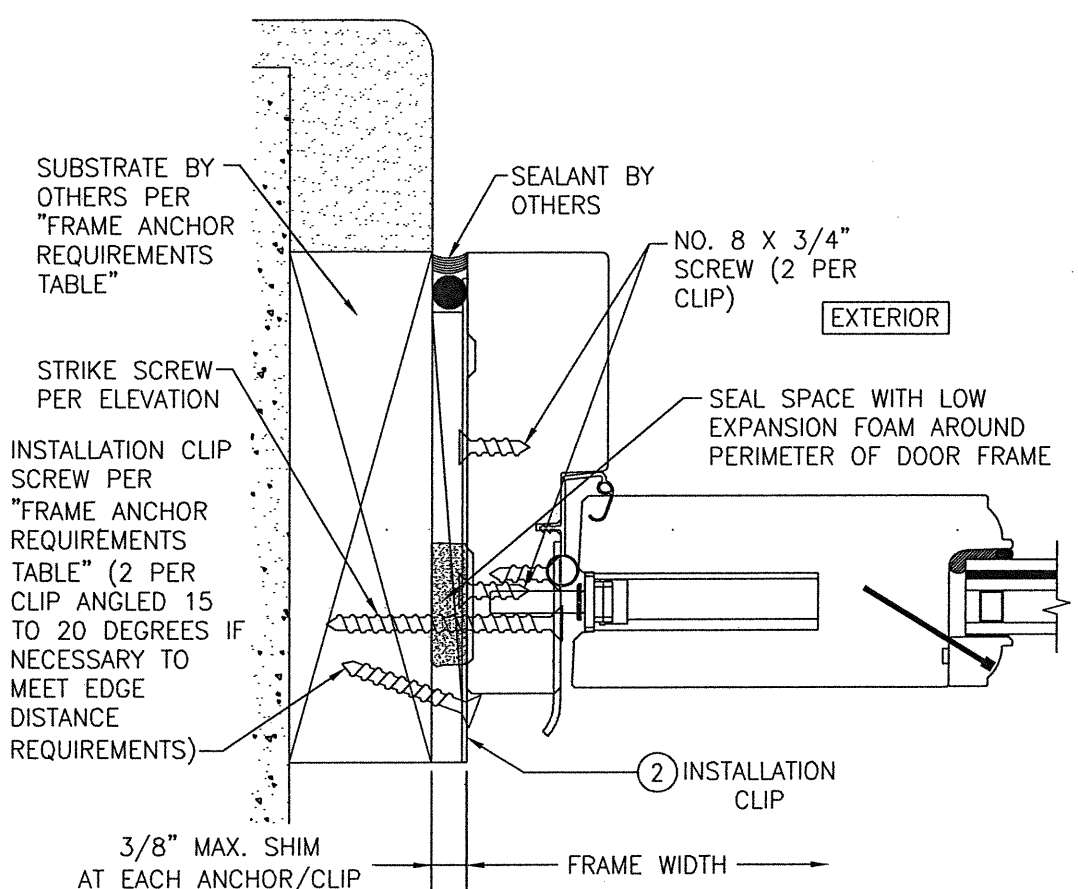


EXTERIOR

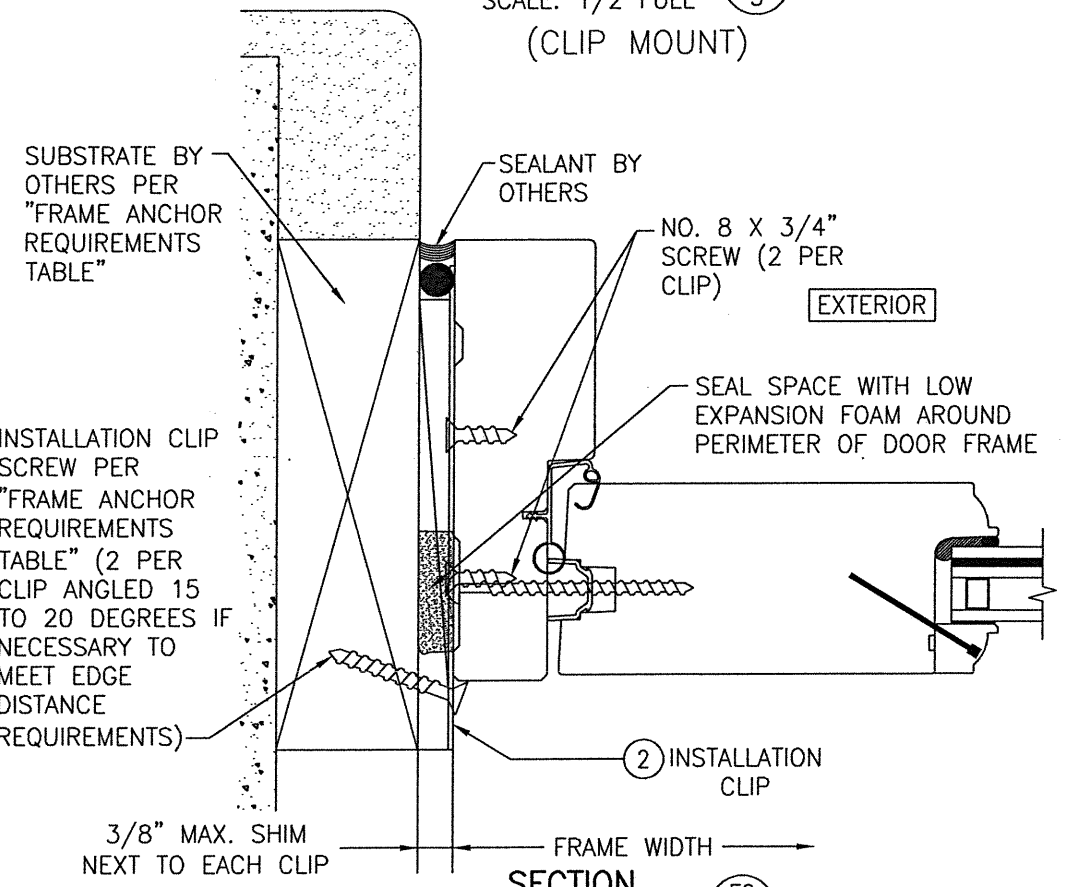
SECTION D1
SCALE: 1/2 FULL
(FRAME SCREW MOUNT)



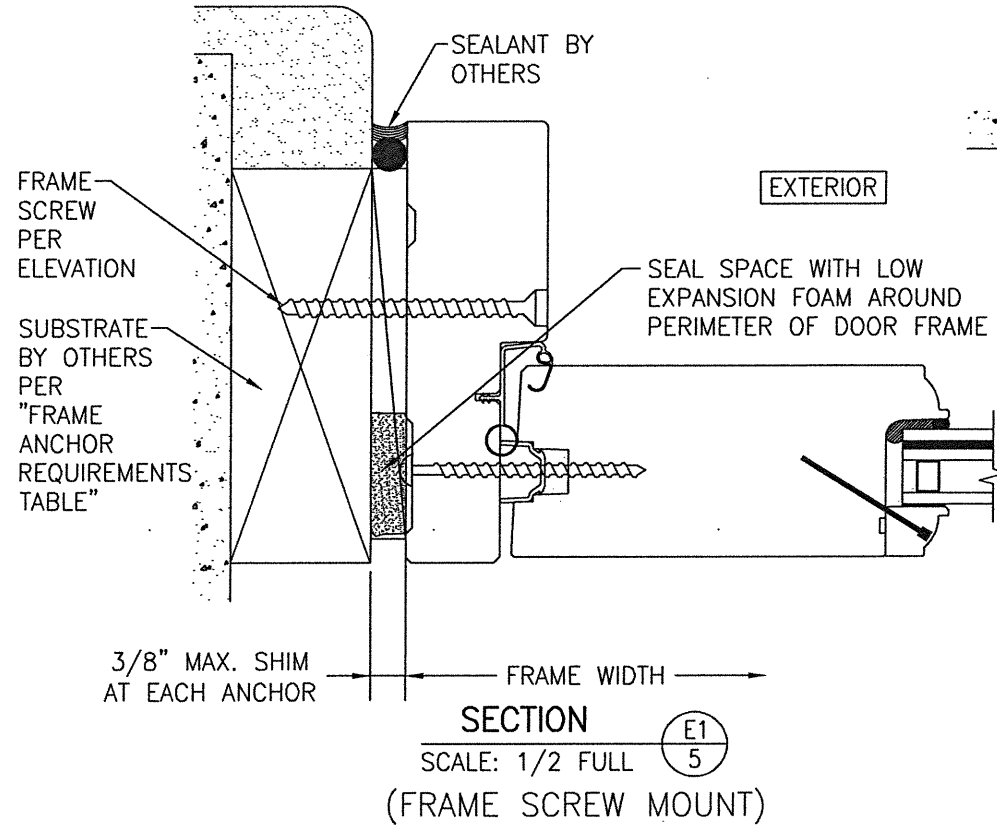
DRAWN BY: W.W.S.	CHECKED BY: W.W.S.
PLOT: 1=2	DATE: 06/08/21
NO.	REVISION DESCRIPTION
DATE	BY
DRAWING TITLE PELLA ARCHITECT IMPACT WOOD IN-SWING DOOR INSTALLATIONS	
JOB INFORMATION: PELLA CORPORATION 102 MAIN STREET PELLA, IA 50219 641-621-1000	
CONSULTANTS: W. W. SCHAEFER ENGINEERING & CONSULTING, P.A. (REG. NO. F-14980) 7480 150TH COURT NORTH PALM BEACH GARDENS, FL 33418 PHONE: 561-744-3424	
DRAWING NO. 1723T	
REV.	
SHEET NO. 4 OF 5	



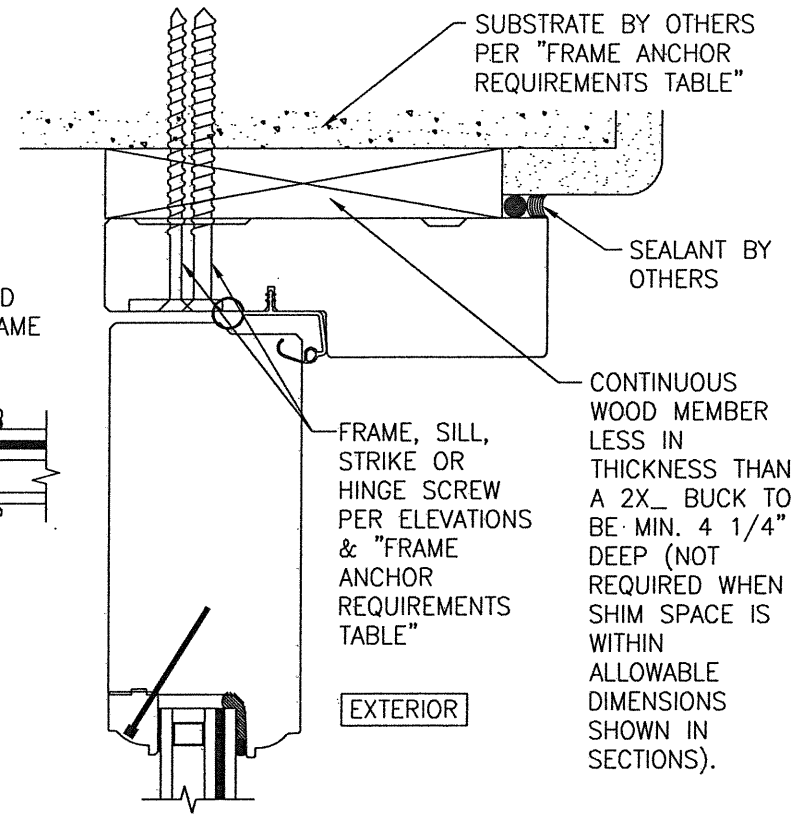
SECTION **D2**
SCALE: 1/2 FULL **5**
(CLIP MOUNT)



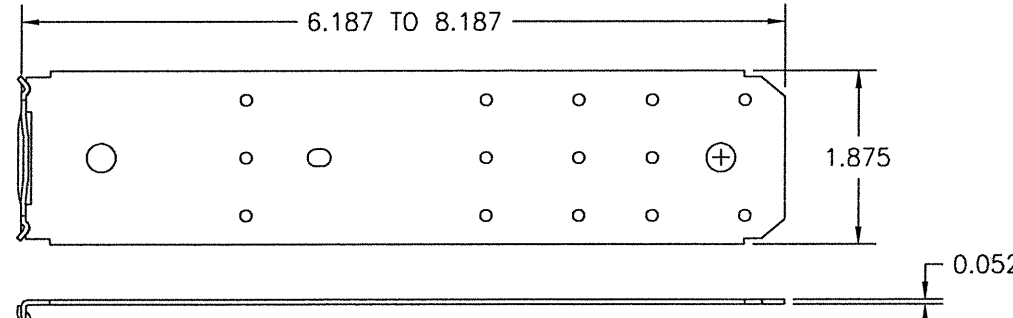
SECTION **E2**
SCALE: 1/2 FULL **5**
(CLIP MOUNT)



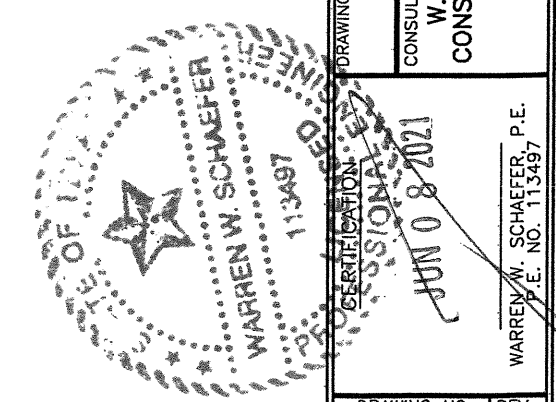
SECTION **E1**
SCALE: 1/2 FULL **5**
(FRAME SCREW MOUNT)



OPTIONAL DIRECT MOUNT DETAIL TO SUBSTRATE WITH SPACER
(HEAD SECTION SHOWN; SILL & SIDES ARE SIMILAR)
(FOR DETAIL NOT SHOWN, SEE OTHER SECTIONS)
(OPERABLE DOOR SHOWN, FIXED PANEL DOORS ALSO APPLY)



2 FRAME INSTALLATION CLIP
(50 KSI STEEL)



DRAWN BY: W.W.S.		CHECKED BY: W.W.S.	
PLOT: 1=2		DATE: 06/08/21	
NO.	REVISION DESCRIPTION	DATE	BY
DRAWING TITLE: PELLA ARCHITECT IMPACT WOOD IN-SWING DOOR INSTALLATIONS			
CONSULTANTS: W. W. SCHAEFER ENGINEERING & CONSULTING, P.A. (REG. NO. F-14980) 7480 150TH COURT NORTH PALM BEACH GARDENS, FL 33418 PHONE: 561-744-3424			
JOB INFORMATION: PELLA CORPORATION 102 MAIN STREET PELLA, IA 50219 641-621-1000			
DRAWING NO. 1723T		REV.	
SHEET NO. 5		OF 5	