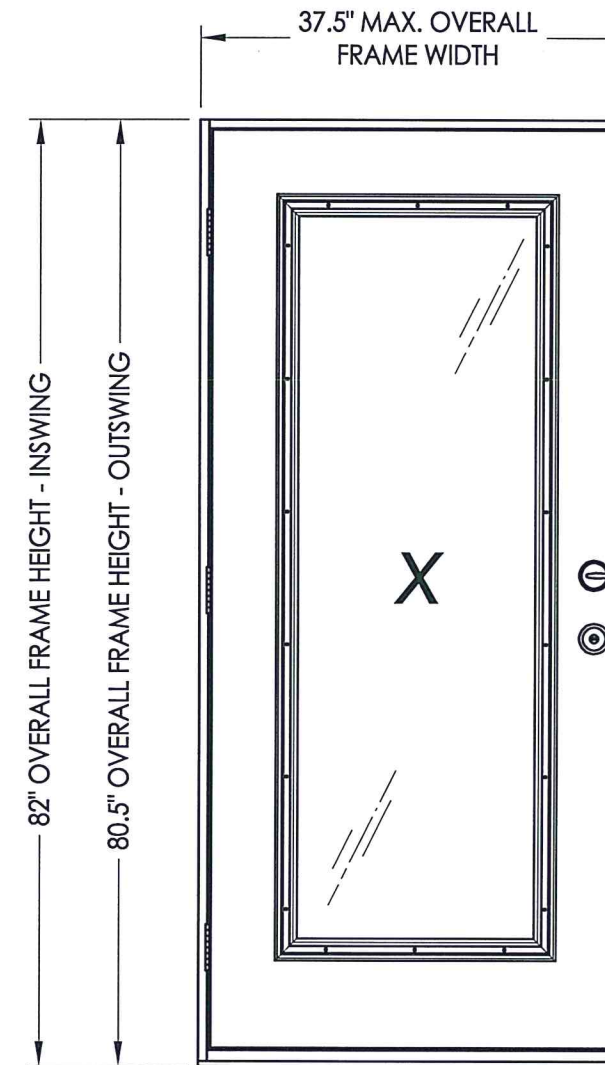


plastpro

5200 W. CENTURY BLVD.
LOS ANGELES, CA 90045

GLAZED FIBERGLASS SINGLE DOOR IN SWING / OUT SWING "NON-IMPACT"



EVALUATED FOR USE IN THE STATE OF TEXAS

The Fiberglass Door system described herein complies with the 2018 International Residential Code (IRC), Sections R301 & R609 and the 2018 International Building Code (IBC), Sections 1404.13, 1609, 1709.5, 2403 and 2404 subject to the following conditions:

1. Anchors shall be as listed and spaced as shown in the details. Anchor embedment to base material shall be beyond wall dressing or stucco.
2. When used in areas requiring wind-borne debris protection this product is required to be protected with an impact resistant covering that complies with Section R301.2.1.2 of the IRC and Section 1609.1.2 of the IBC.
3. Allowable design pressure requirements must be equal to or less than the design pressure rating shown in the design pressure chart, sheet 1 of this drawing.
4. Conditions not covered by this drawing are subject to further engineering analysis.

TABLE OF CONTENTS

SHEET#	DESCRIPTION
1	Table of contents and test elevation
2	Glazing details
3	Door panel details
4	Horizontal cross section
5	Vertical cross sections
6	Buck and frame anchoring
7	Bill of materials and components

CONFIGURATION	MAX. FRAME DIMENSION	MAX. D.L.O. DIMENSION	GLASS TYPE	DESIGN PRESSURE (PSF) INSWING		DESIGN PRESSURE (PSF) OUTSWING	
				POSITIVE	NEGATIVE	POSITIVE	NEGATIVE
X	37.5" x 82.0"	21.0" x 63.0"	G4	+35.0	-35.0	+35.0	-35.0
			G1, G3, G5	+45.0	-45.0	+45.0	-45.0
			G2	+50.0	-50.0	+50.0	-50.0



Documents Prepared By: Lyndon F. Schmidt, P.E.
TEXAS P.E. #104123

RW BUILDING CONSULTANTS, INC.
P.O. Box 230 Valrico FL 33595
Phone No.: 813.659.9197

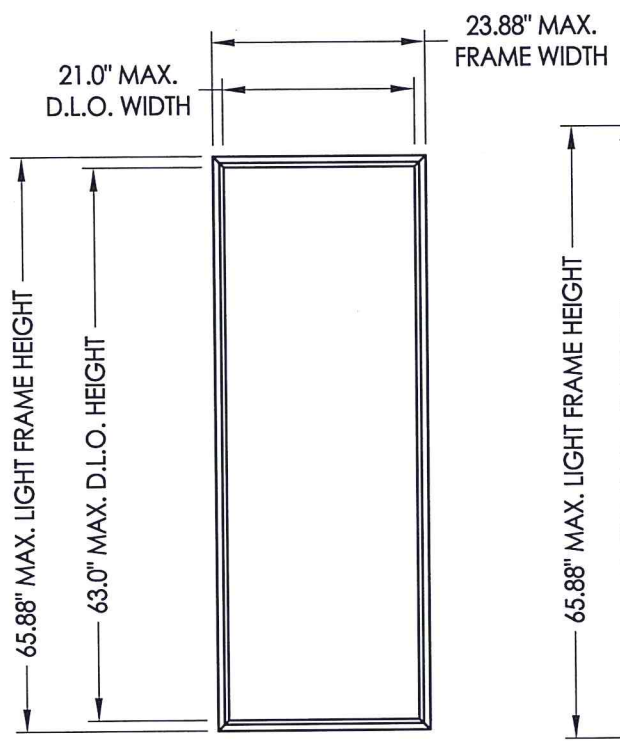
TEXAS BOARD OF PROFESSIONAL ENGINEERS
CERTIFICATE OF REGISTRATION # F-11852

PRODUCT: PLASTPRO INC. FIBERGLASS DOOR
PART OR ASSEMBLY: TYPICAL ELEVATION, DESIGN PRESSURES & GENERAL NOTES

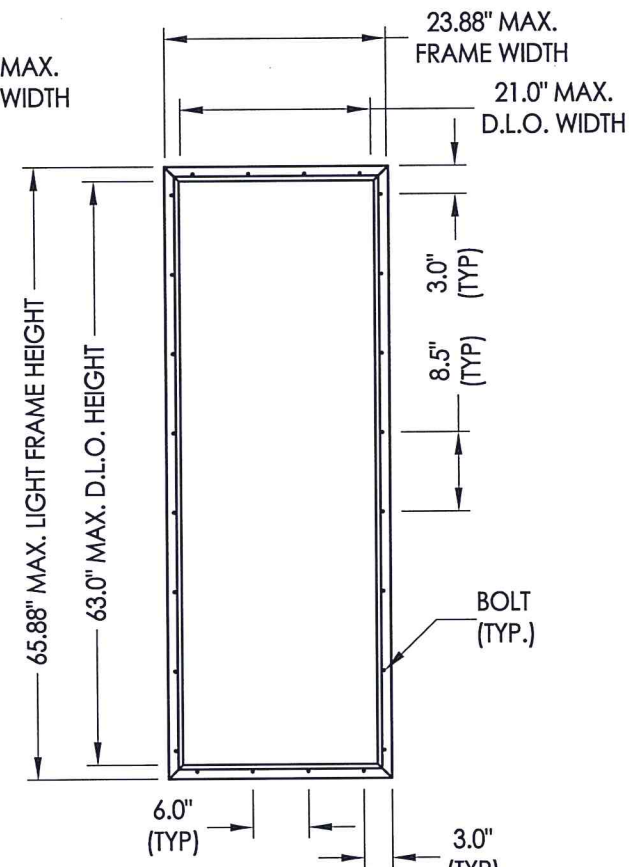
NO.	DATE	REVISIONS
2	8/19/20	REVISE COMPONENTS SHEET
1	5/27/20	UPDATE TO 2018 IBC/IRC CODE

DATE: 1/17/11
SCALE: N.T.S.
DWG. BY: JK
CHK. BY: LFS
DRAWING NO.: TX-4119
SHEET 1 OF 7

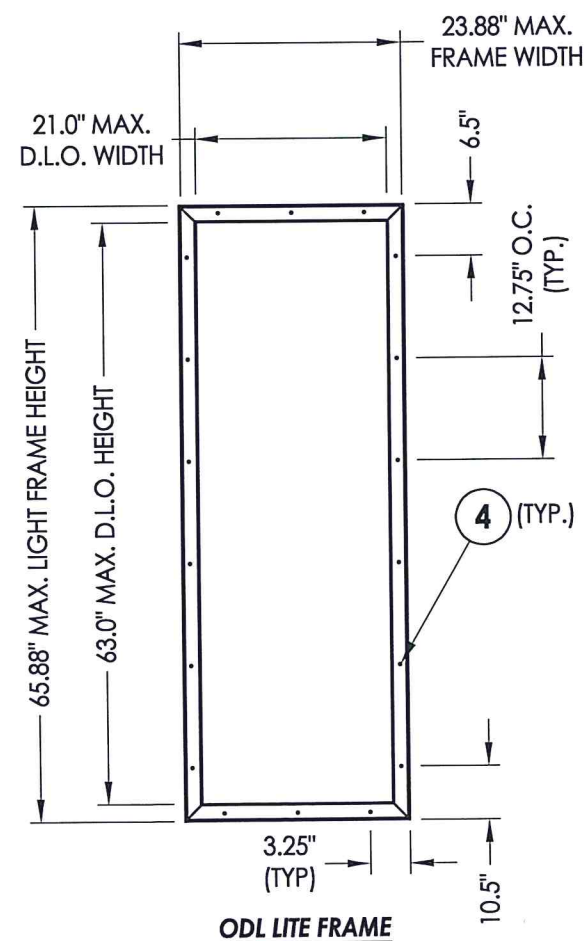
Z:\Clients\Plastpro, Inc PERMANENT\B - TD\TDI - DR 488\Drawings\TX-4119.dwg



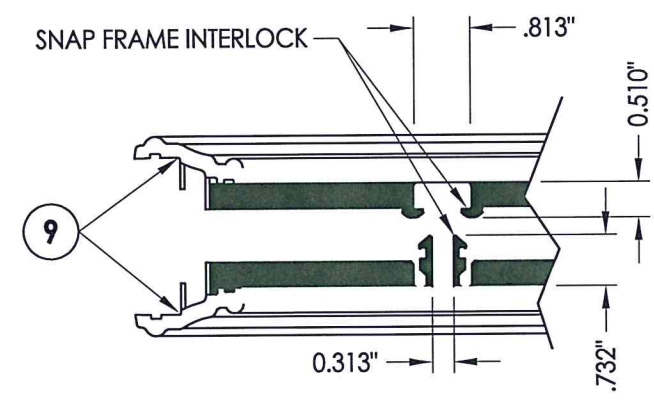
SNAP IN LITE FRAME



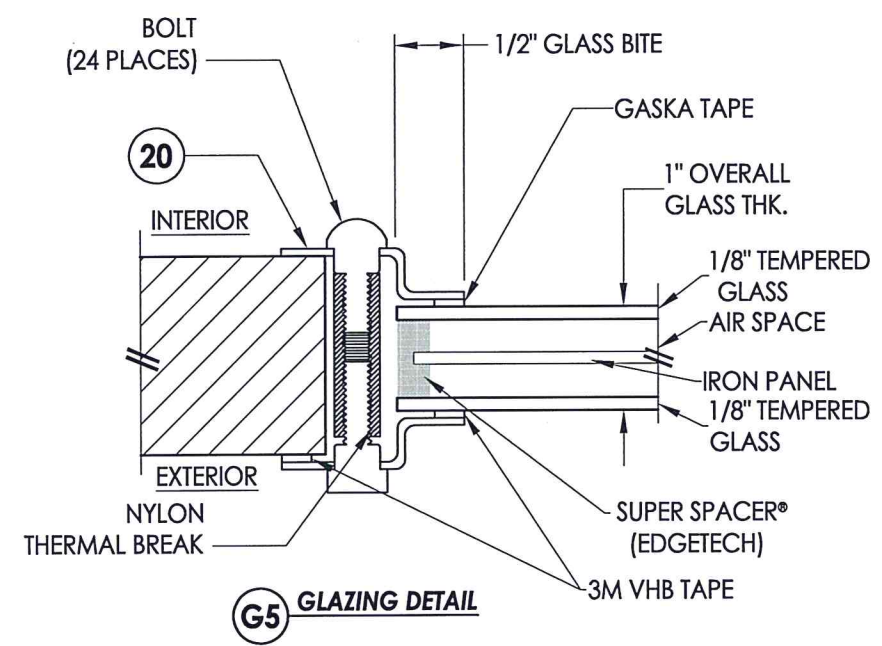
WROUGHT IRON FRAME



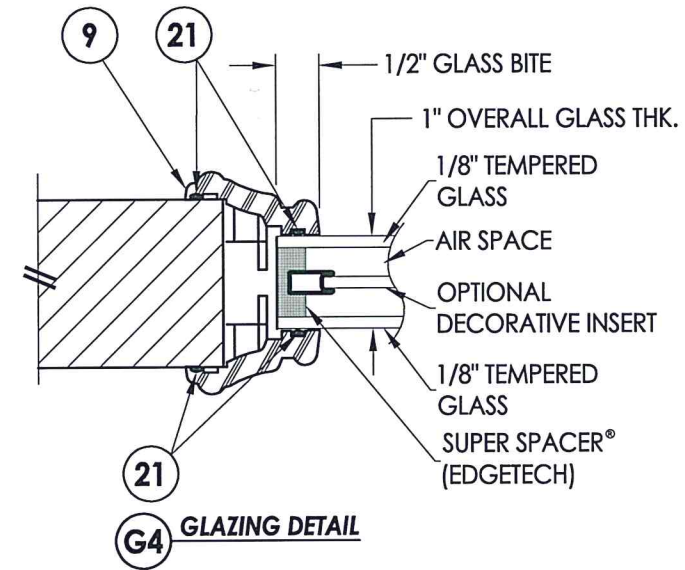
ODL LITE FRAME



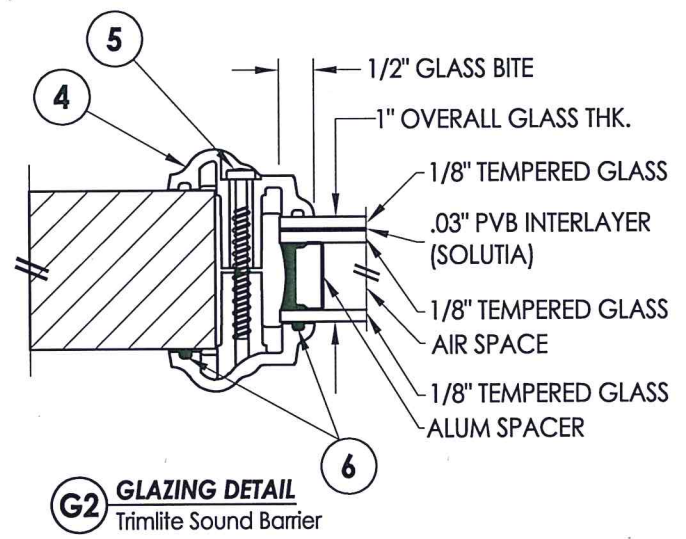
SNAP FRAME ASSEMBLY DETAIL
(SNAPS TOGETHER 28 PLACES)



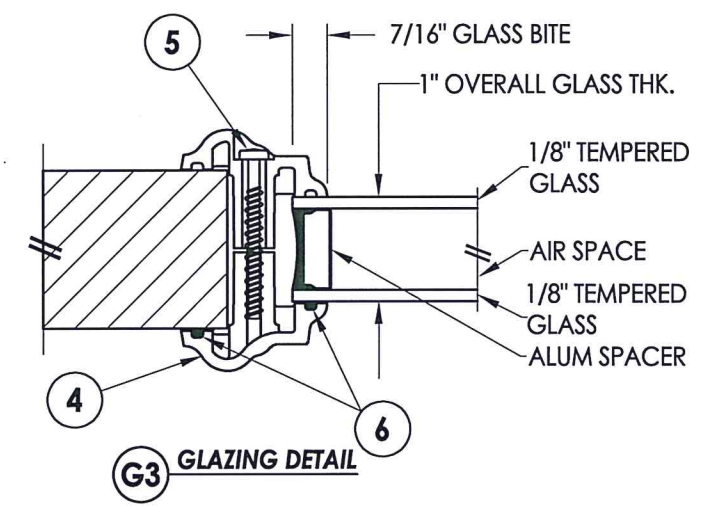
G5 GLAZING DETAIL



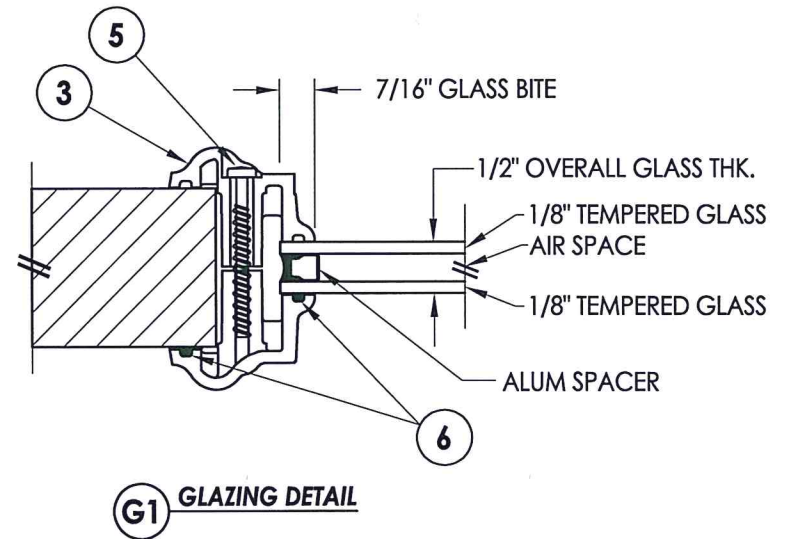
G4 GLAZING DETAIL



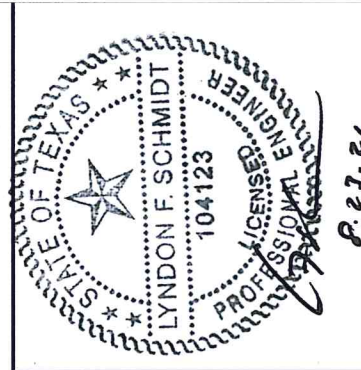
G2 GLAZING DETAIL
Trimlite Sound Barrier



G3 GLAZING DETAIL



G1 GLAZING DETAIL



P. 27. 21

Documents Prepared By: Lyndon F. Schmidt, P.E.
TEXAS P.E. #104123

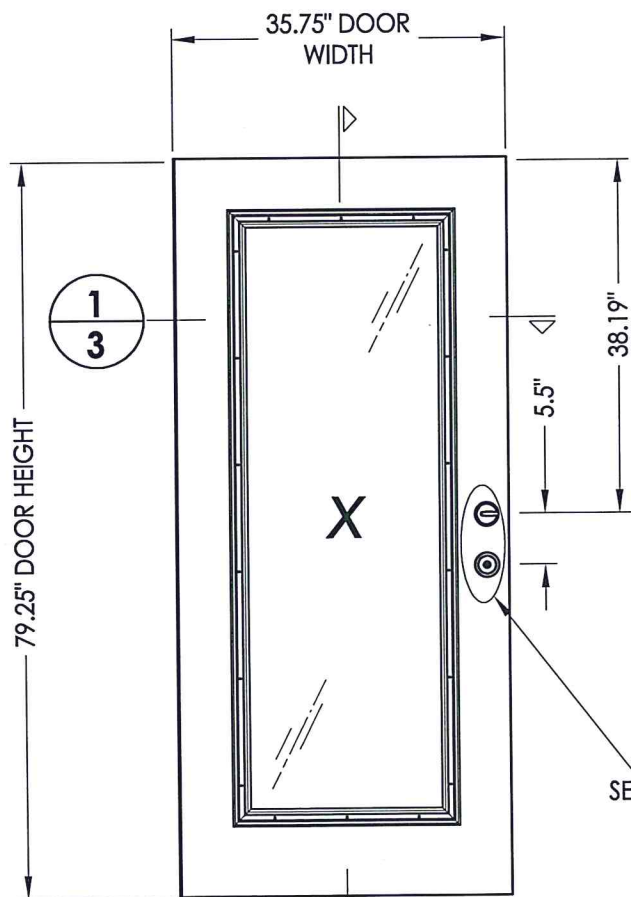
RW BUILDING CONSULTANTS, INC.
P.O. Box 230 Valrico FL 33595
Phone No.: 813.659.9197
TEXAS BOARD OF PROFESSIONAL ENGINEERS
CERTIFICATE OF REGISTRATION # F-11852

PRODUCT: PLASTPRO
FIBERGLASS DOOR

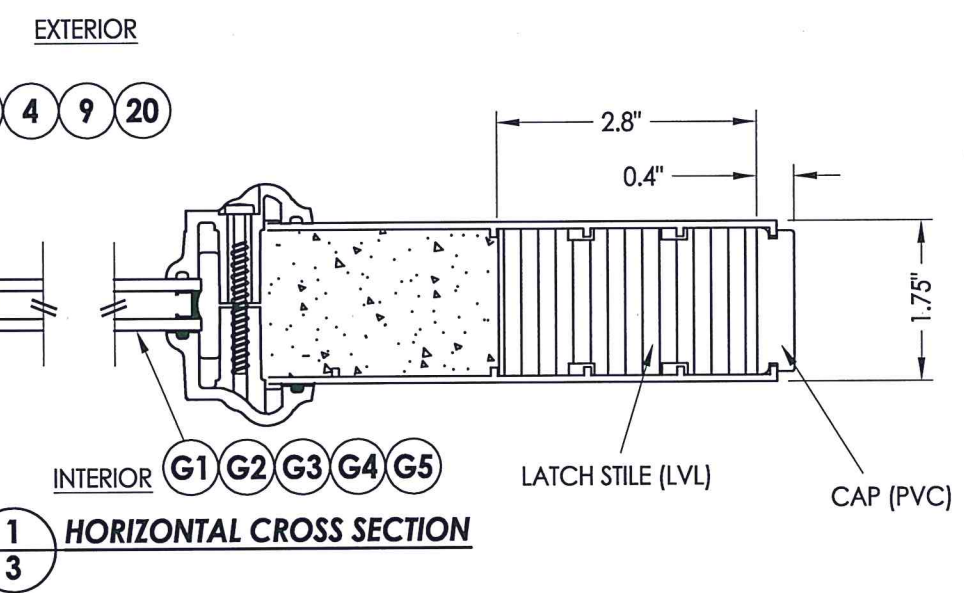
PART OR ASSEMBLY: GLAZING DETAILS

NO.	DATE	REVISIONS	BY
2	8/19/20	REVISE COMPONENTS SHEET	LFS
1	5/27/20	UPDATE TO 2018 IBC/IRC CODE	LFS

DATE: 1/17/11
SCALE: N.T.S.
DWG. BY: JK
CHK. BY: LFS
DRAWING NO.: TX-4119
SHEET 2 OF 7

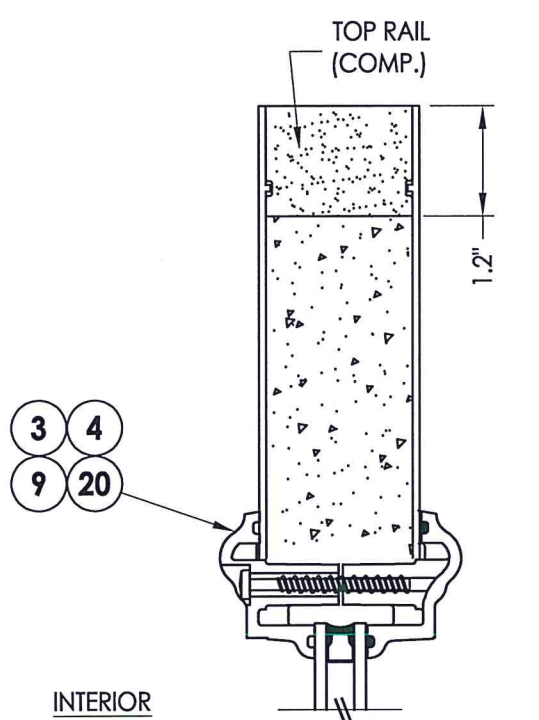


40 **DOOR PANEL**
Plastpro
Fiberglass

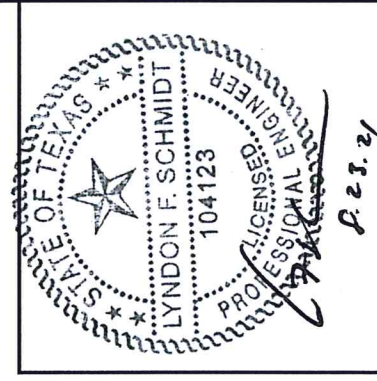


1 **HORIZONTAL CROSS SECTION**

HARDWARE TABLE			
MANUFACTURER	MODEL	MAX. DESIGN PRESSURE (PSF)	
		POSITIVE	NEGATIVE
KWIKSET	KNOB: SIGNATURE SERIES	+50.0	-50.0
	DEADBOLT: SIGNATURE SERIES (780)		
SCHLAGE	KNOB: "F" SERIES (F10)	+45.0	-45.0
	LEVER: "F" SERIES (F10)		
SCHLAGE	HANDLE SET W/DEADBOLT: "F" SERIES (F60)	+45.0	-45.0



2 **VERTICAL CROSS SECTION**



Documents Prepared By: Lyndon F. Schmidt, P.E.
TEXAS P.E. #104123

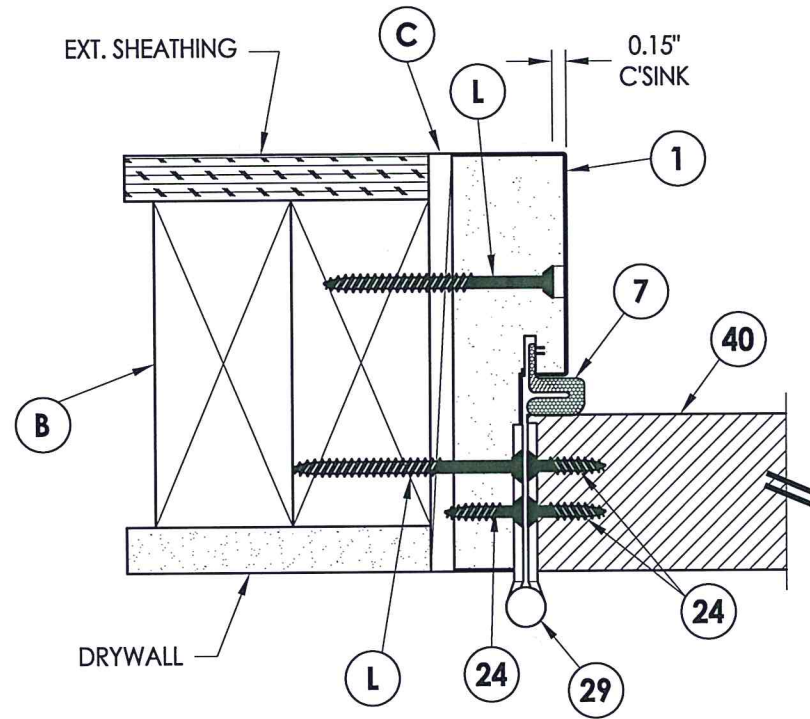
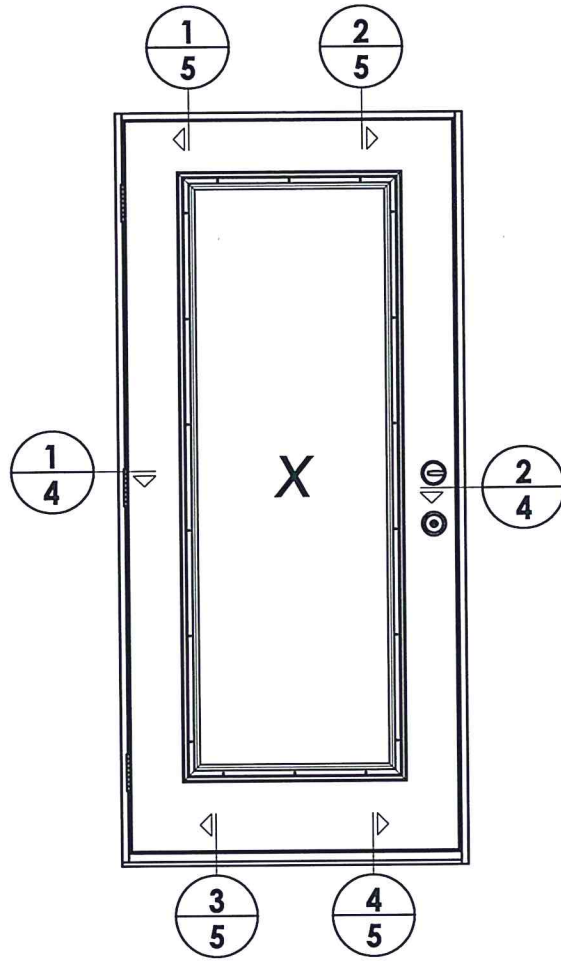
RW BUILDING CONSULTANTS, INC.
P.O. Box 230 Valrico FL 33595
Phone No.: 813.659.9197

TEXAS BOARD OF PROFESSIONAL ENGINEERS
CERTIFICATE OF REGISTRATION # F-11852

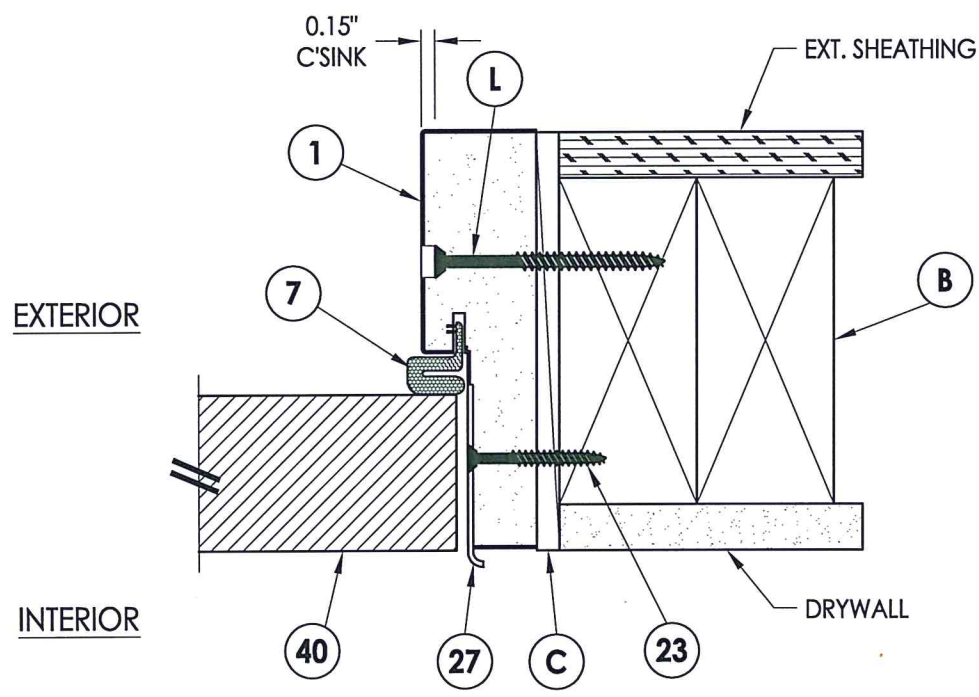
PRODUCT: PLASTPRO FIBERGLASS DOOR
PART OR ASSEMBLY: DOOR PANEL DETAILS

NO.	DATE	REVISIONS
2	8/19/20	REVISE COMPONENTS SHEET
1	5/27/20	UPDATE TO 2018 IBC/IRC CODE

DATE: 1/17/11
SCALE: N.T.S.
DWG. BY: JK
CHK. BY: LFS
DRAWING NO.: TX-4119
SHEET 3 OF 7



1
4 **HORIZONTAL CROSS SECTION**
Inswing shown - outswing also approved



2
4 **HORIZONTAL CROSS SECTION**
Inswing shown - outswing also approved



Documents Prepared By: Lyndon F. Schmidt, P.E.
TEXAS P.E. #104123

RW BUILDING CONSULTANTS, INC.
P.O. Box 230 Valrico FL, 33595
Phone No.: 813.659.9197

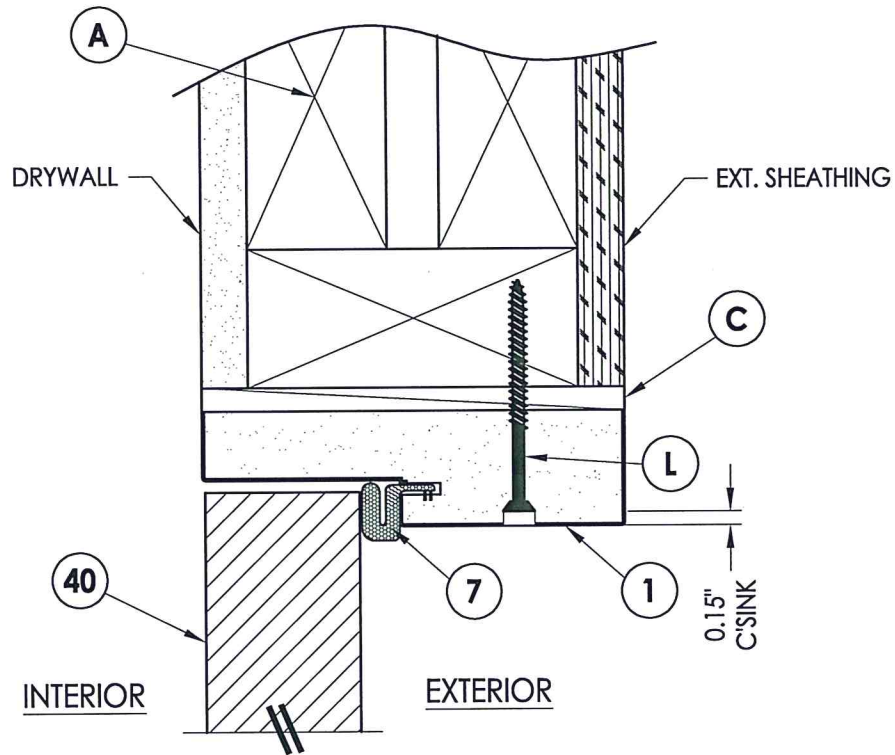
TEXAS BOARD OF PROFESSIONAL ENGINEERS
CERTIFICATE OF REGISTRATION # F-11852

PRODUCT: PLASTPRO INC. FIBERGLASS DOOR
PART OR ASSEMBLY: HORIZONTAL CROSS SECTIONS

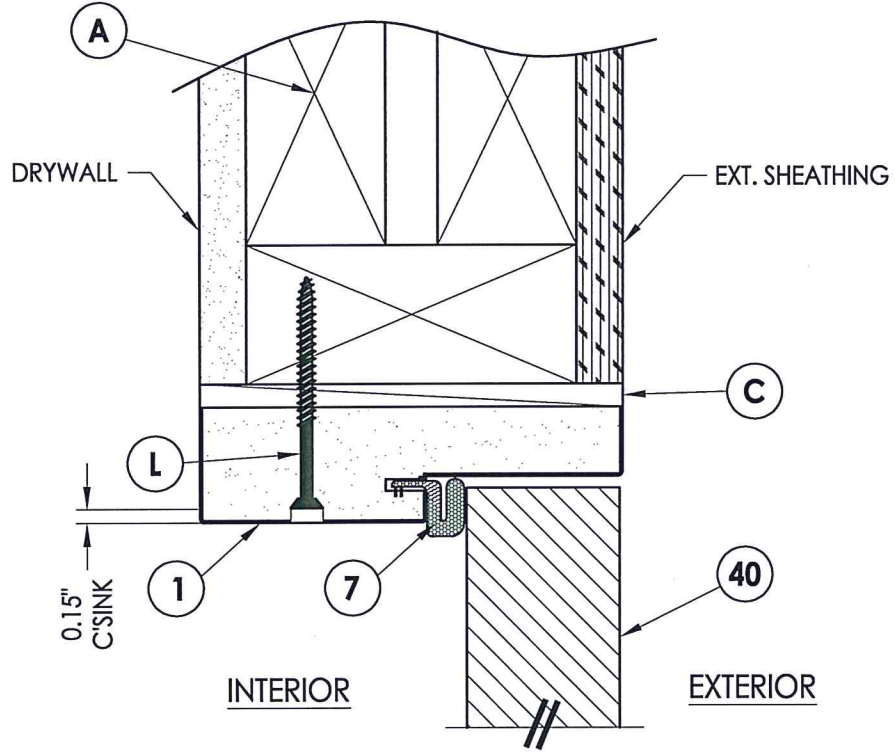
NO.	DATE	REVISIONS
2	8/19/20	REVISE COMPONENTS SHEET
1	5/27/20	UPDATE TO 2018 IBC/IRC CODE

DATE: 1/17/11
SCALE: N.T.S.
DWG. BY: JK
CHK. BY: LFS
DRAWING NO.: TX-4119
SHEET 4 OF 7

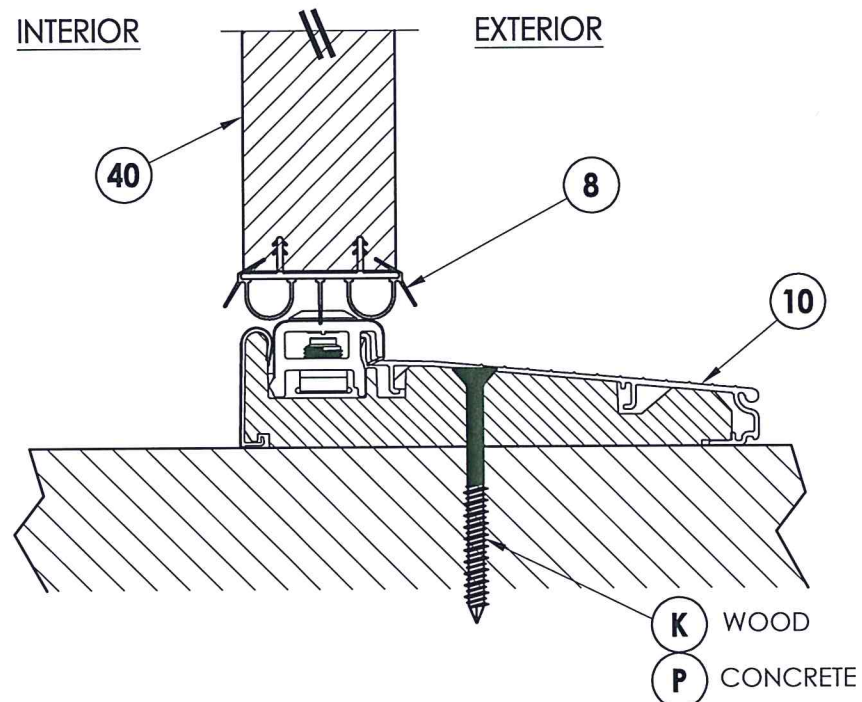
Z:\Clients\Plastpro, Inc PERMANENT\B - TDI\TDI - DR 488\Drawings\TX-4119.dwg



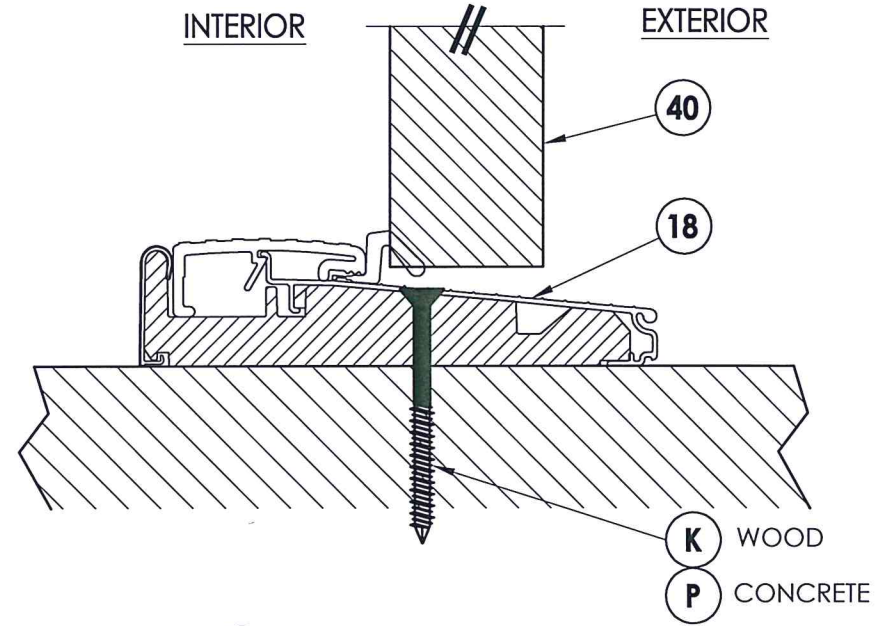
1 VERTICAL CROSS SECTION
5 Inswing shown



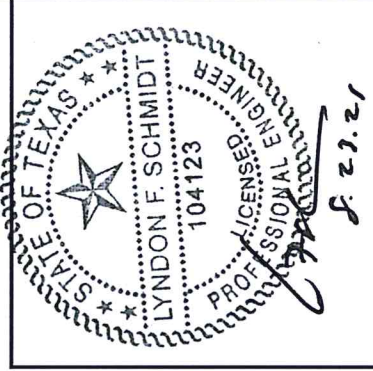
2 VERTICAL CROSS SECTION
5 Outswing shown



3 VERTICAL CROSS SECTION
5 Inswing shown



4 VERTICAL CROSS SECTION
5 Outswing shown



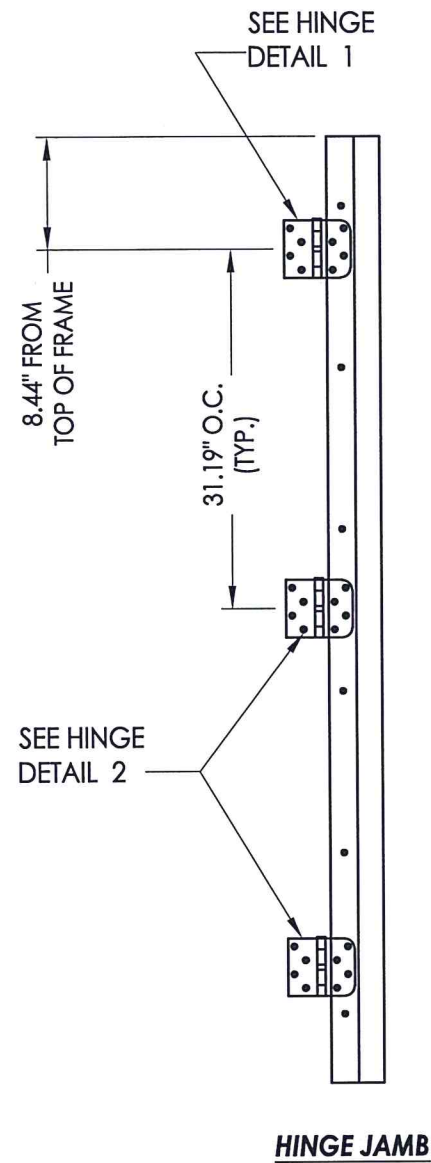
Documents Prepared By: Lyndon F. Schmidt, P.E.
TEXAS P.E. #104123

RW BUILDING CONSULTANTS, INC.
P.O. Box 230 Valrico FL 33595
Phone No.: 813.659.9197
TEXAS BOARD OF PROFESSIONAL ENGINEERS
CERTIFICATE OF REGISTRATION # F-11852

PRODUCT: PLASTPRO FIBERGLASS DOOR
PART OR ASSEMBLY: VERTICAL CROSS SECTIONS

NO.	DATE	REVISIONS
2	8/19/20	REVISE COMPONENTS SHEET
1	5/27/20	UPDATE TO 2018 IBC/IRC CODE

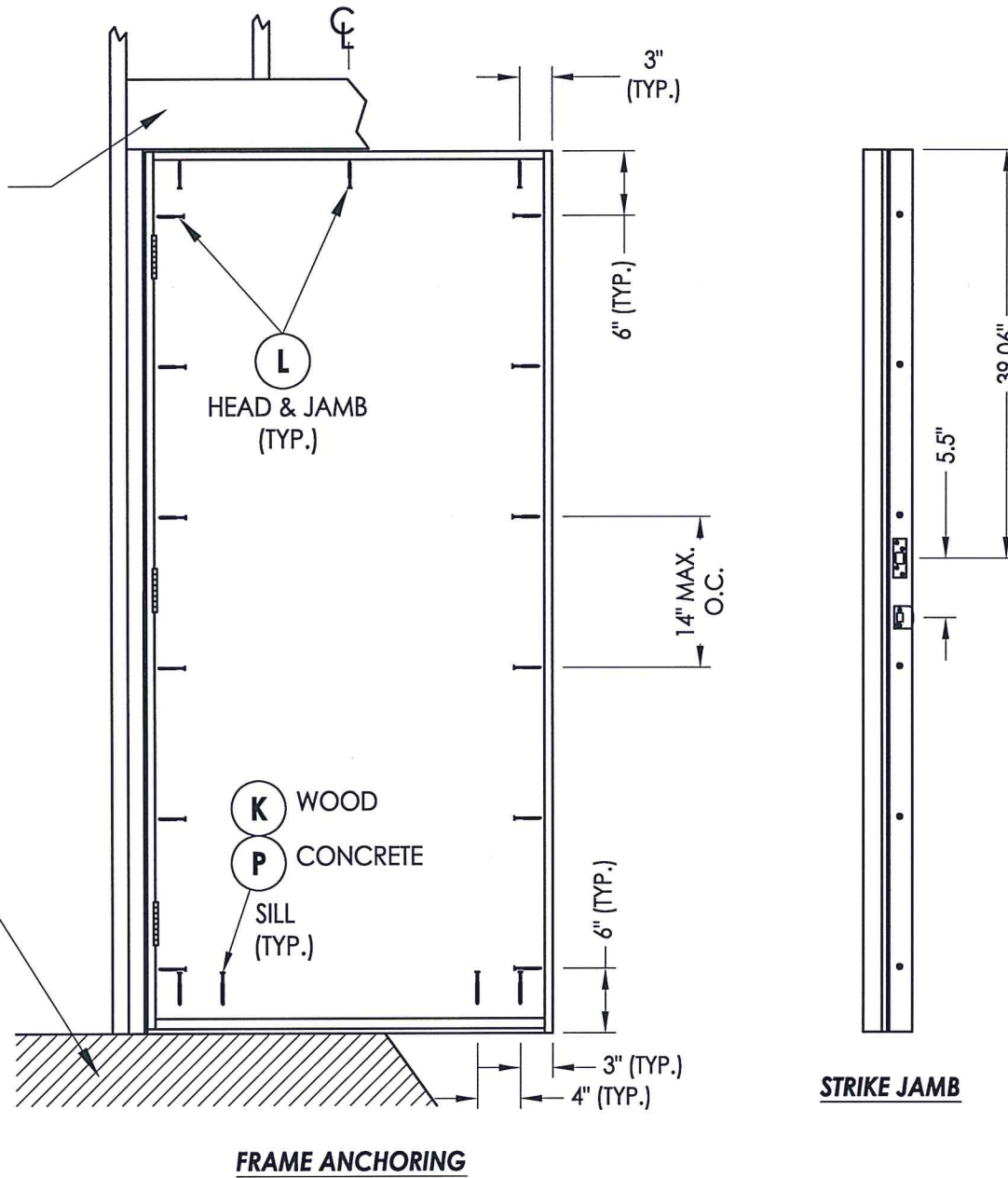
DATE: 1/17/11
SCALE: N.T.S.
DWG. BY: JK
CHK. BY: LFS
DRAWING NO.: TX-4119
SHEET 5 OF 7



HINGE JAMB

2X FRAMING TO BE DESIGNED BY THE ENGINEER OR ARCHITECT OF RECORD

FLOOR SUBSTRATE MATERIAL
CONCRETE (MIN. 3000 PSI)
WOOD (S.G. >= 0.42)



FRAME ANCHORING

STRIKE JAMB

CONCRETE ANCHOR NOTES:

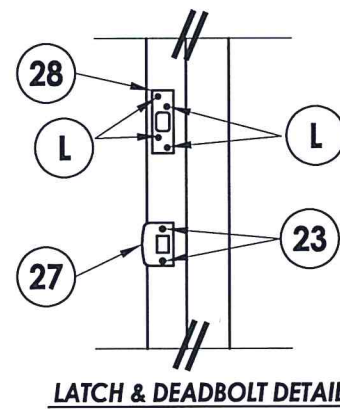
- Concrete anchor locations at the corners may be adjusted to maintain the min. edge distance to mortar joints.
- Concrete anchor locations noted as "MAX. ON CENTER" must be adjusted to maintain the min. edge distance to mortar joints, additional concrete anchors may be required to ensure the "MAX. ON CENTER" dimension are not exceeded.
- Concrete anchor table:

ANCHOR TYPE	ANCHOR SIZE	MIN. EMBEDMENT	MIN. CLEARANCE TO MASONRY EDGE	MIN. CLEARANCE TO ADJACENT ANCHOR
ITW BUILDEX TAPCON®	1/4"	1-3/4"	2"	4"
ELCO ULTRACON®	1/4"	1-3/4"	1"	4"

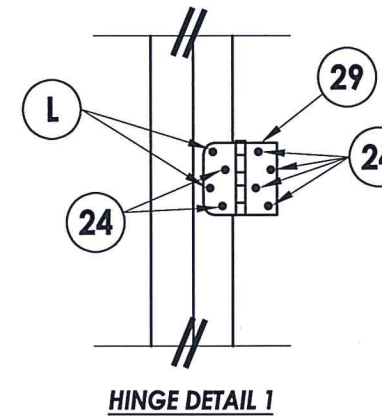
- Concrete: 3,000 psi min. conforming to ACI 301.

WOOD SCREW INSTALLATION NOTES:

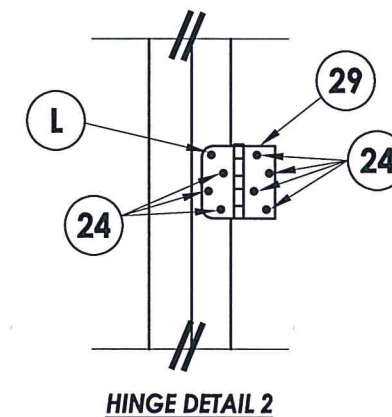
- Maintain a minimum 5/8" edge distance, 1" end distance, & 1" o.c. spacing of wood screws to prevent the splitting of wood.



LATCH & DEADBOLT DETAIL



HINGE DETAIL 1



HINGE DETAIL 2



Documents Prepared By: Lyndon F. Schmidt, P.E.
TEXAS P.E. #104123

RW BUILDING CONSULTANTS, INC.
P.O. Box 230 Vairico FL 33595
Phone No.: 813.659.9197
TEXAS BOARD OF PROFESSIONAL ENGINEERS
CERTIFICATE OF REGISTRATION # F-11852

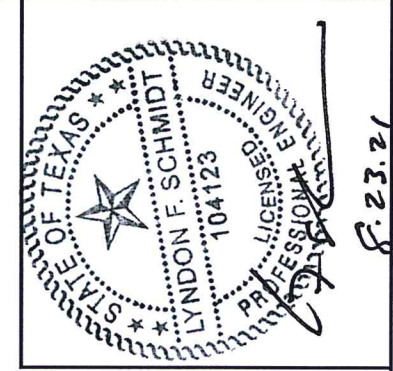
PRODUCT: PLASTPRO INC. FIBERGLASS DOOR
PART OR ASSEMBLY: BUCK AND FRAME ANCHORING

NO.	DATE	REVISIONS
2	8/19/20	REVISE COMPONENTS SHEET
1	5/27/20	UPDATE TO 2018 IBC/IRC CODE

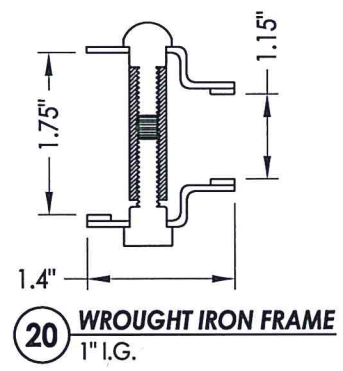
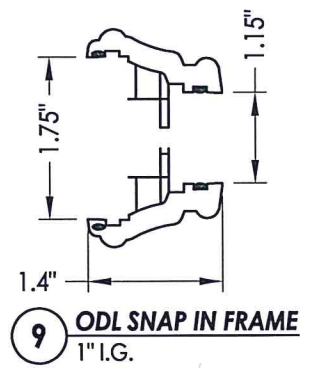
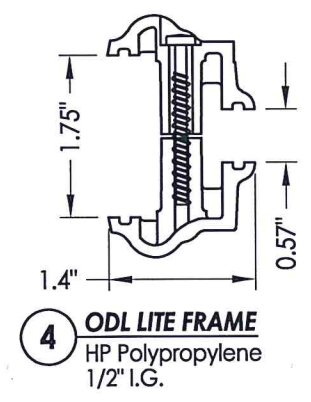
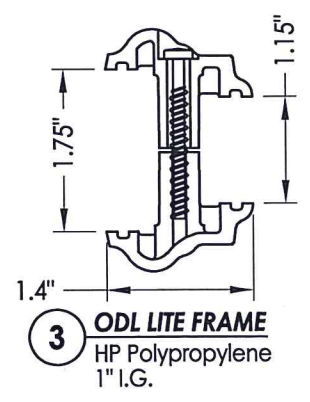
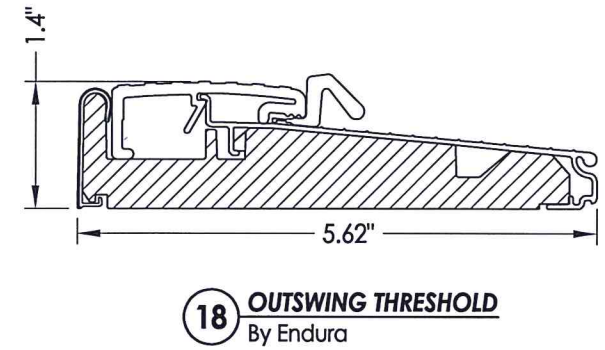
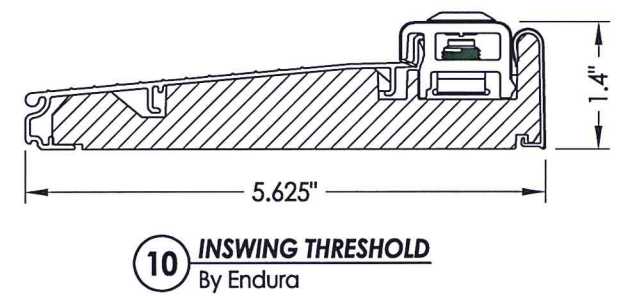
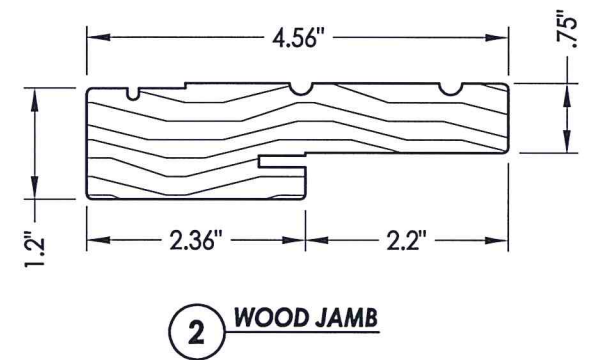
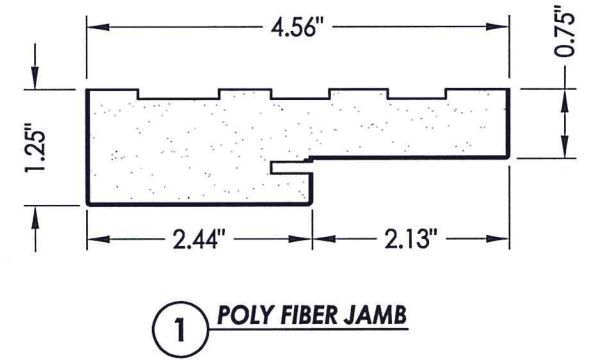
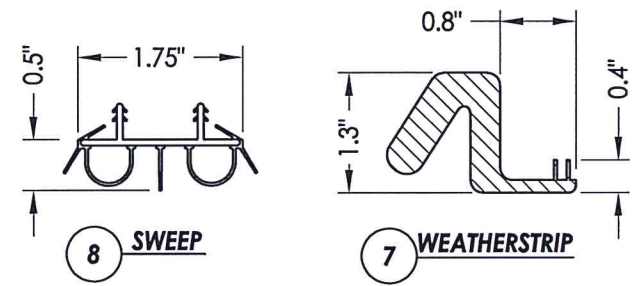
DATE: 1/17/11
SCALE: N.T.S.
DWG. BY: JK
CHK. BY: LFS
DRAWING NO.: TX-4119
SHEET 6 OF 7

BILL OF MATERIALS

ITEM #	DESCRIPTION	MATERIAL
A	2X HEADER FRAMING (SG >= 0.42)	WOOD
B	2X BUCK (SG >= 0.42)	WOOD
C	1/4" MAX. SHIM SPACE	-
L	#10 X 2-1/2" PFH WOOD SCREW (1.15" MIN. EMBEDMENT)	STEEL
K	#10 X 3" PFH WOOD SCREW	STEEL
P	1/4" PFH DeWALT OR ITW CONCRETE SCREW (1-3/4" MIN. EMB.)	STEEL
1	POLY FIBER JAMB	COMP.
2	WOOD JAMB (FINGER JOINTED PINE)	WOOD
3	ODL LITE FRAME (1/2" I.G.)	HP POLY
4	ODL LITE FRAME (1" I.G.)	HP POLY
5	#8 X 1-1/2" PPH SMS	STEEL
6	READISEAL SEALANT	-
7	FORCE 5 WEATHER STRIPPING BY ENDURA	FOAM
8	SWEEP	VINYL
9	SNAP IN FRAME	ABS
10	INSWING THRESHOLD	ALUM/COMP
18	OUTSWING THRESHOLD	ALUM/COMP
20	WROUGHT IRON FRAME	IRON
21	Q'SO GLAZING COMPOUND	SILICONE
23	#8 X 1-1/2" PFH WOOD SCREW	STEEL
24	#9 X 3/4" PFH WOOD SCREW	STEEL
27	LATCH STRIKE PLATE	STEEL
28	DEADBOLT STRIKE PLATE (SECURITY STRIKE)	STEEL
29	4" X 4" HINGE	STEEL
40	DOOR PANEL	-



Documents Prepared By: Lyndon F. Schmidt, P.E.
 TEXAS P.E. #104123
RW BUILDING CONSULTANTS, INC.
 P.O. Box 230 Valrico FL, 33595
 Phone No.: 813.659.9197
 TEXAS BOARD OF PROFESSIONAL ENGINEERS
 CERTIFICATE OF REGISTRATION # F-11852



PRODUCT: PLASTPRO INC. FIBERGLASS DOOR
 PART OR ASSEMBLY: BILL OF MATERIALS & COMPONENTS

NO.	DATE	REVISIONS
2	8/19/20	REVISE COMPONENTS SHEET
1	5/27/20	UPDATE TO 2018 IBC/IRC CODE

DATE: 1/17/11
 SCALE: N.T.S.
 DWG. BY: JK
 CHK. BY: LFS
 DRAWING NO.: TX-4119
 SHEET 7 OF 7