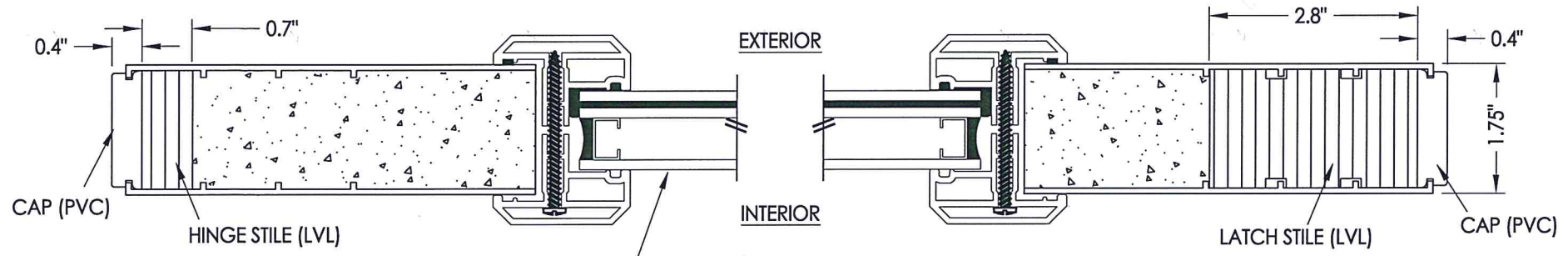
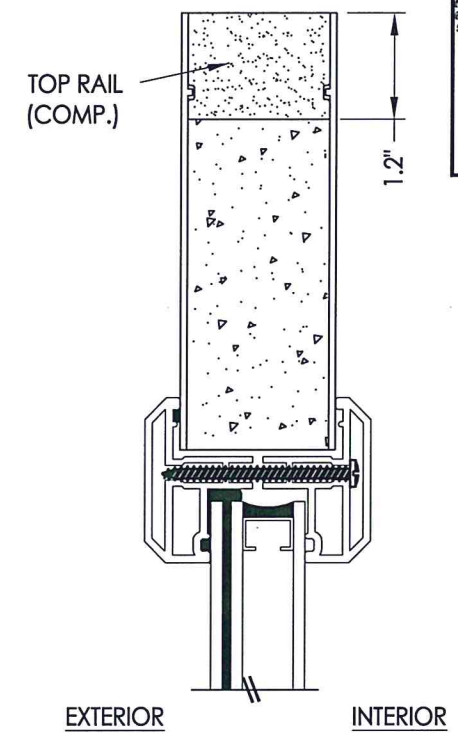


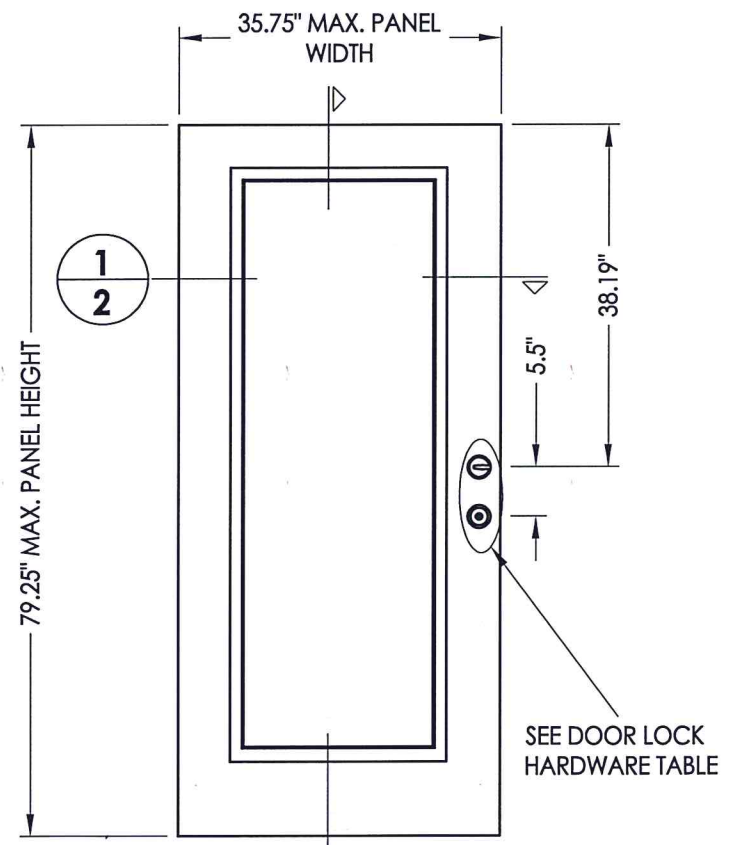
R:\Clients\Plastpro, Inc PERMANENT\B - TD\TDI - DR 462 68 Glazed Impact Sgl Dbl w-wo Sidelites\Drawings\TX-4477-78.dwg, 2.1



1
2 HORIZONTAL CROSS SECTION



2
2 VERTICAL CROSS SECTION



- 40** PLASTPRO DOOR PANEL
- 50** PLASTPRO SIDELITE PANEL

DOOR LOCK HARDWARE TABLE	
MANUFACTURER	MODEL
KWIKSET	KNOB: KWIKSET SERIES (400)
	DEADBOLT: KWIKSET SERIES (660)
SCHLAGE	HANDLE SET: "F" SERIES (F51)
	DEADBOLT: "B" SERIES (B60/62)

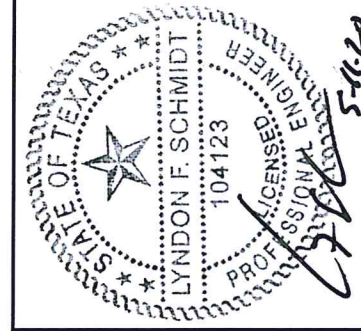
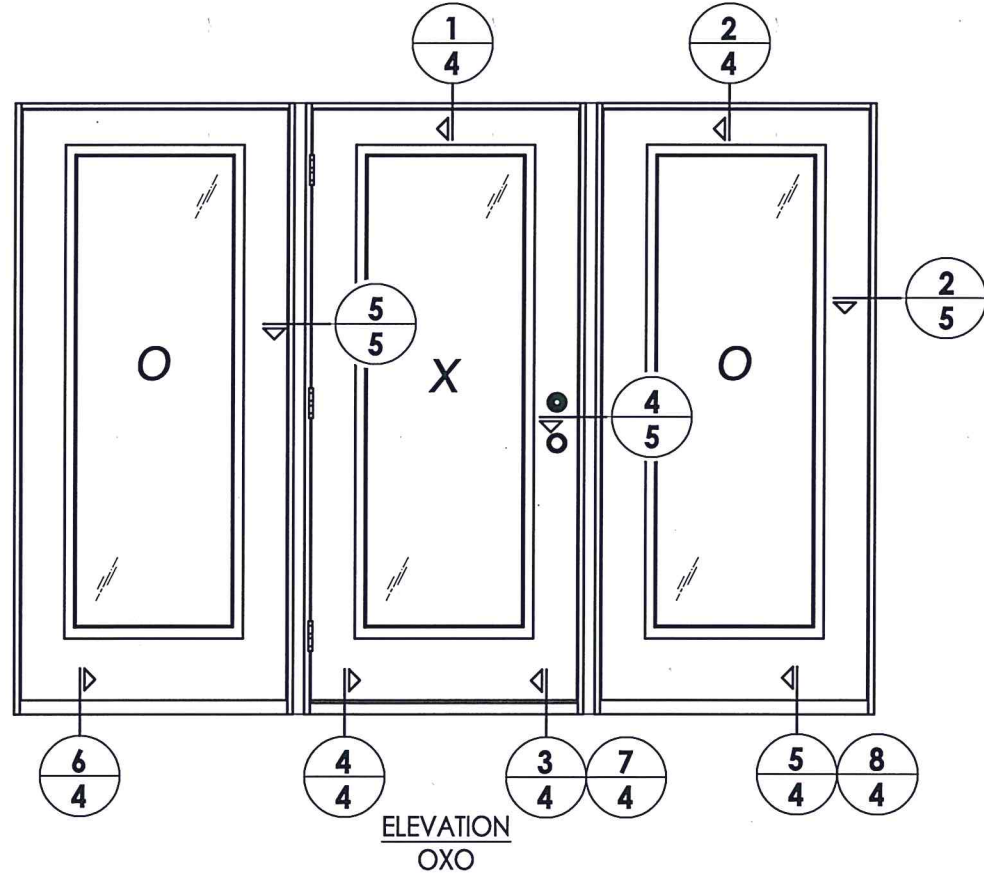
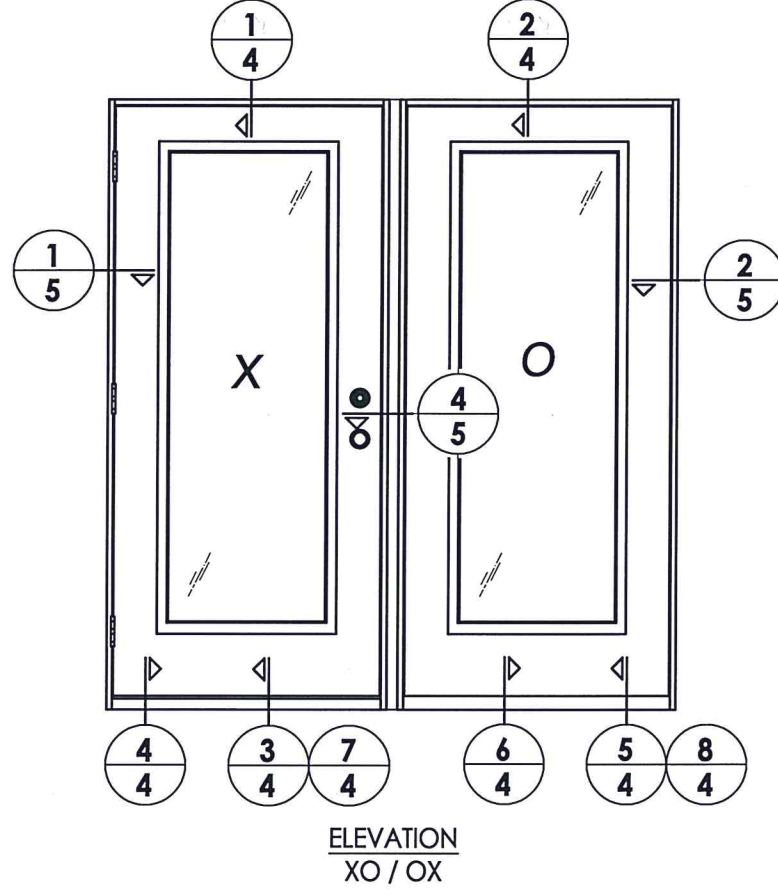
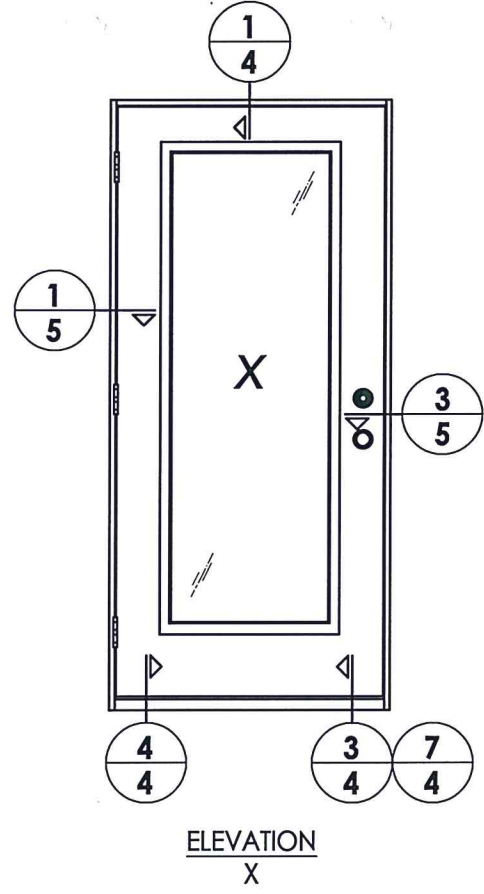


Documents Prepared By: Lyndon F. Schmidt, P.E.
TEXAS P.E. #104123

RW BUILDING CONSULTANTS, INC.
P.O. Box 230 Valrico FL 33595
Phone No.: 813.659.9197

TEXAS BOARD OF PROFESSIONAL ENGINEERS
CERTIFICATE OF REGISTRATION # F-11852

PRODUCT:	PLASTPRO FIBERGLASS DOOR		
PART OR ASSEMBLY:	DOOR & SIDELITE PANEL DETAILS		
NO.	DATE	BY	REVISIONS
1	5/07/20	LFS	UPDATE TO 2018 IBC/IRC CODE AND REVISE IMPACT LITE FRAME
DATE: 11/11/14			
SCALE: N.T.S.			
DWG. BY: JK			
CHK. BY: LFS			
DRAWING NO.: TX-4477			
SHEET 2 OF 8			



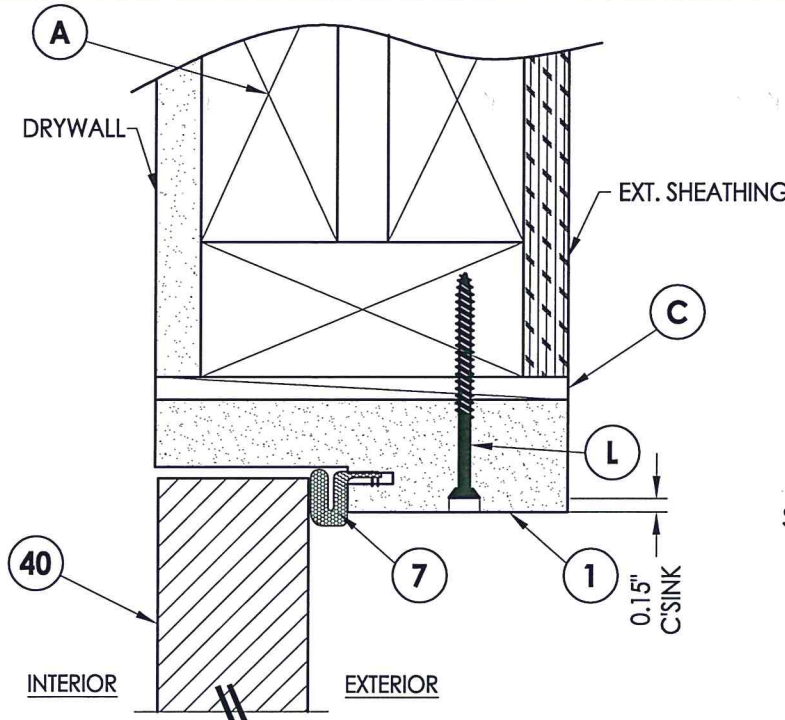
Documents Prepared By: Lyndon F. Schmidt, P.E.
TEXAS P.E. #104123

RW BUILDING CONSULTANTS, INC.
P.O. Box 230 Valrico FL 33595
Phone No.: 813.659.9197

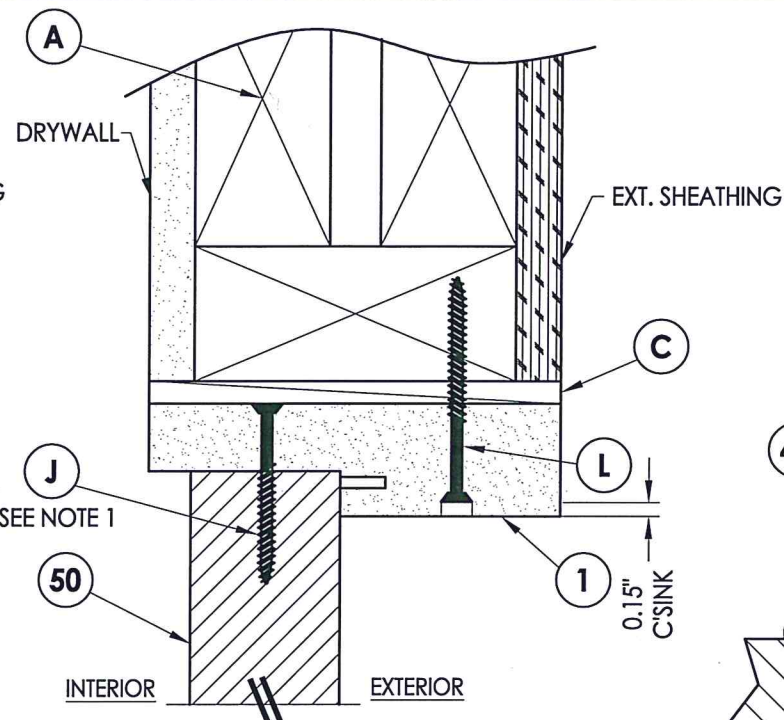
TEXAS BOARD OF PROFESSIONAL ENGINEERS
CERTIFICATE OF REGISTRATION # F-11852

PRODUCT: PLASTPRO FIBERGLASS DOOR	
PART OR ASSEMBLY: ELEVATIONS	
NO.	DATE
1	5/07/20
UPDATE TO 2018 IBC/IRC CODE AND REVISE IMPACT LITE FRAME	
LFS	BY
REVISIONS	
DATE: 11/11/14	
SCALE: N.T.S.	
DWG. BY: JK	
CHK. BY: LFS	
DRAWING NO.: TX-4477	
SHEET 3 OF 8	

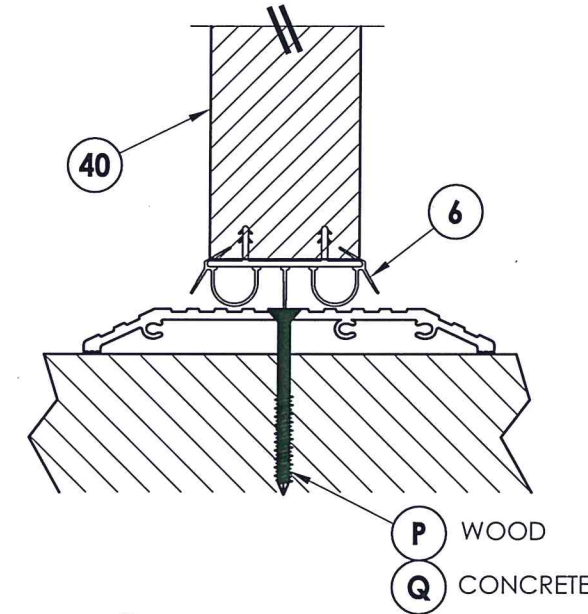
R:\Clients\Plastpro, Inc PERMANENT\B - TD\TDI - DR 462 68 Glazed Impact Sgl Dbl w-wo Sidelites\Drawings\TX-4477-78.dwg, 4.1



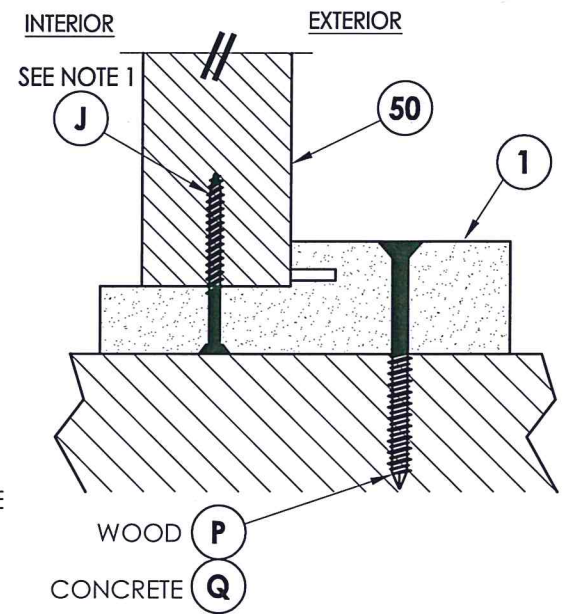
1 VERTICAL CROSS SECTION
4 Inswing shown (Outswing similar)



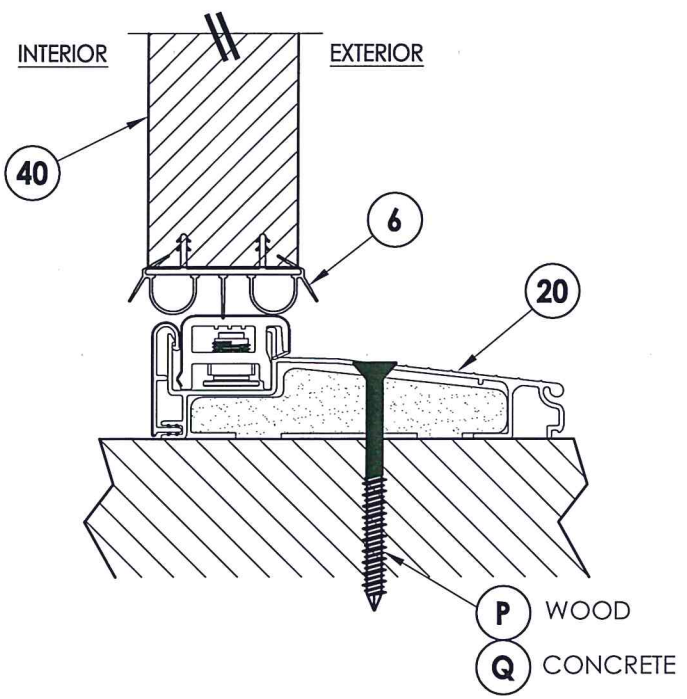
2 VERTICAL CROSS SECTION
4 Inswing shown (Outswing similar)



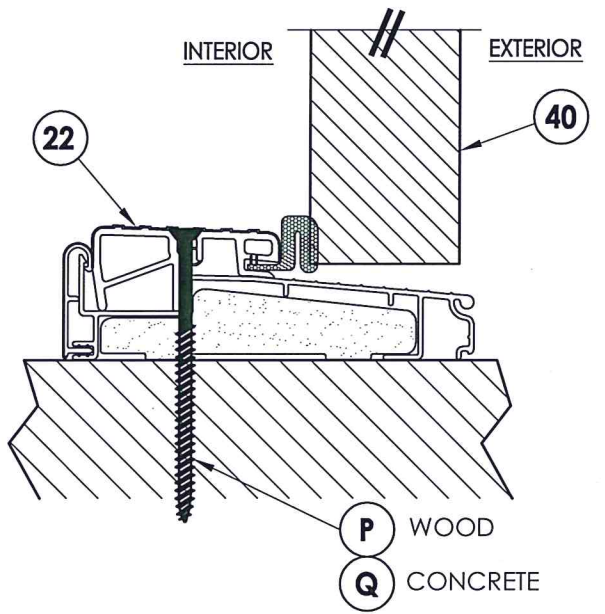
7 VERTICAL CROSS SECTION
4 ADA sill



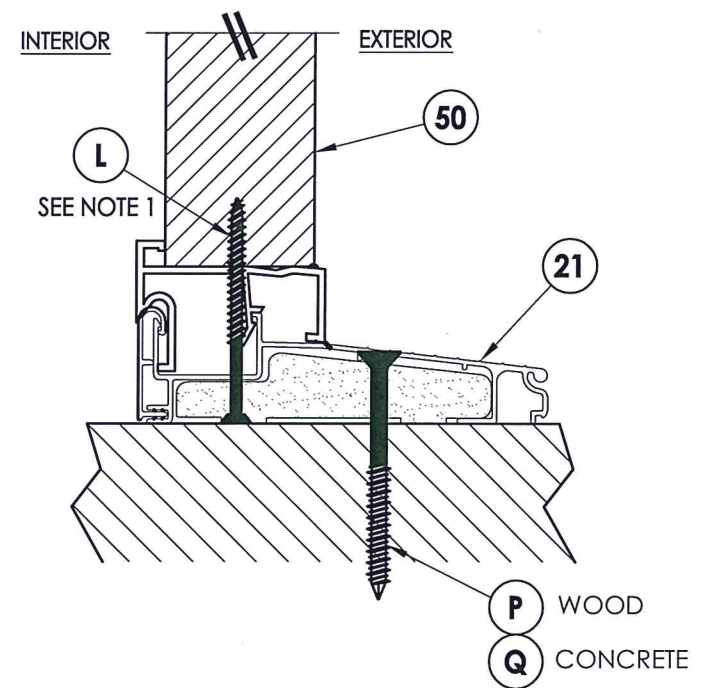
8 VERTICAL CROSS SECTION
4 Inswing shown (Outswing similar)



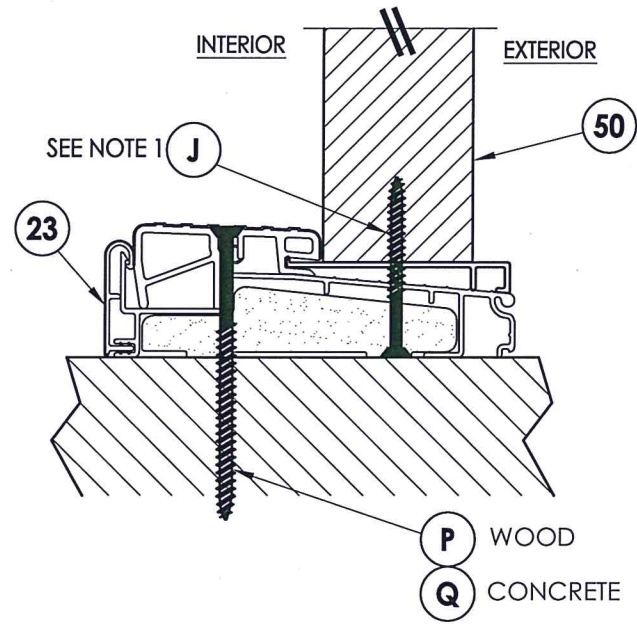
3 VERTICAL CROSS SECTION
4 Inswing sill



4 VERTICAL CROSS SECTION
4 Outswing sill

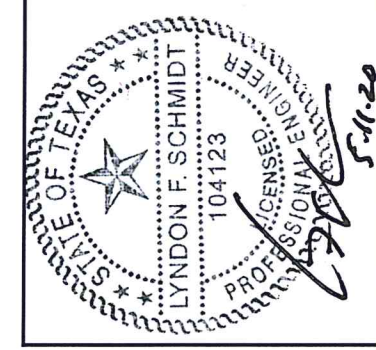


5 VERTICAL CROSS SECTION
4 Inswing sill



6 VERTICAL CROSS SECTION
4 Outswing sill

NOTE:
1. Spacing for item J @ head & sill:
6" from each end plus 1 @
centerline (3 total).



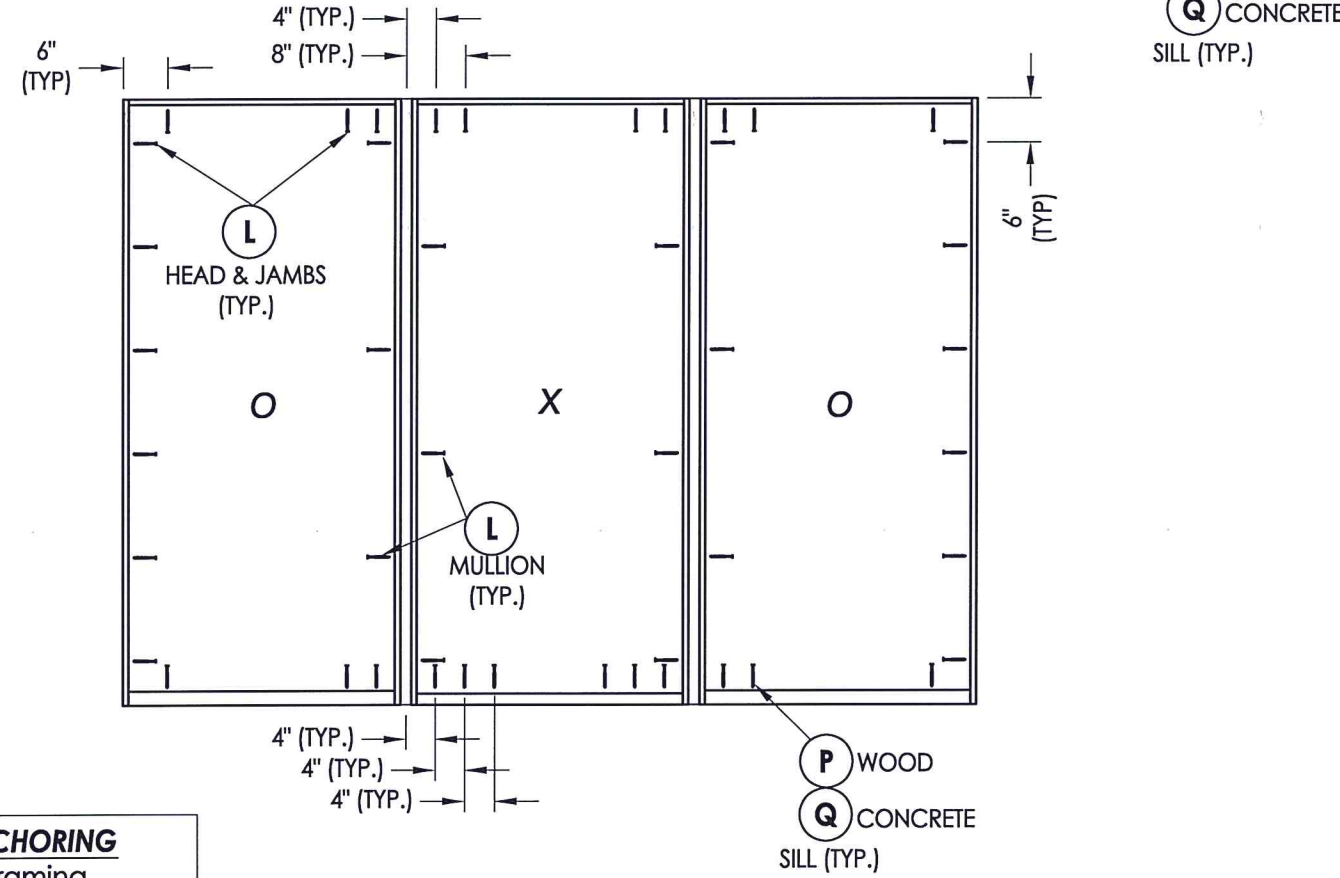
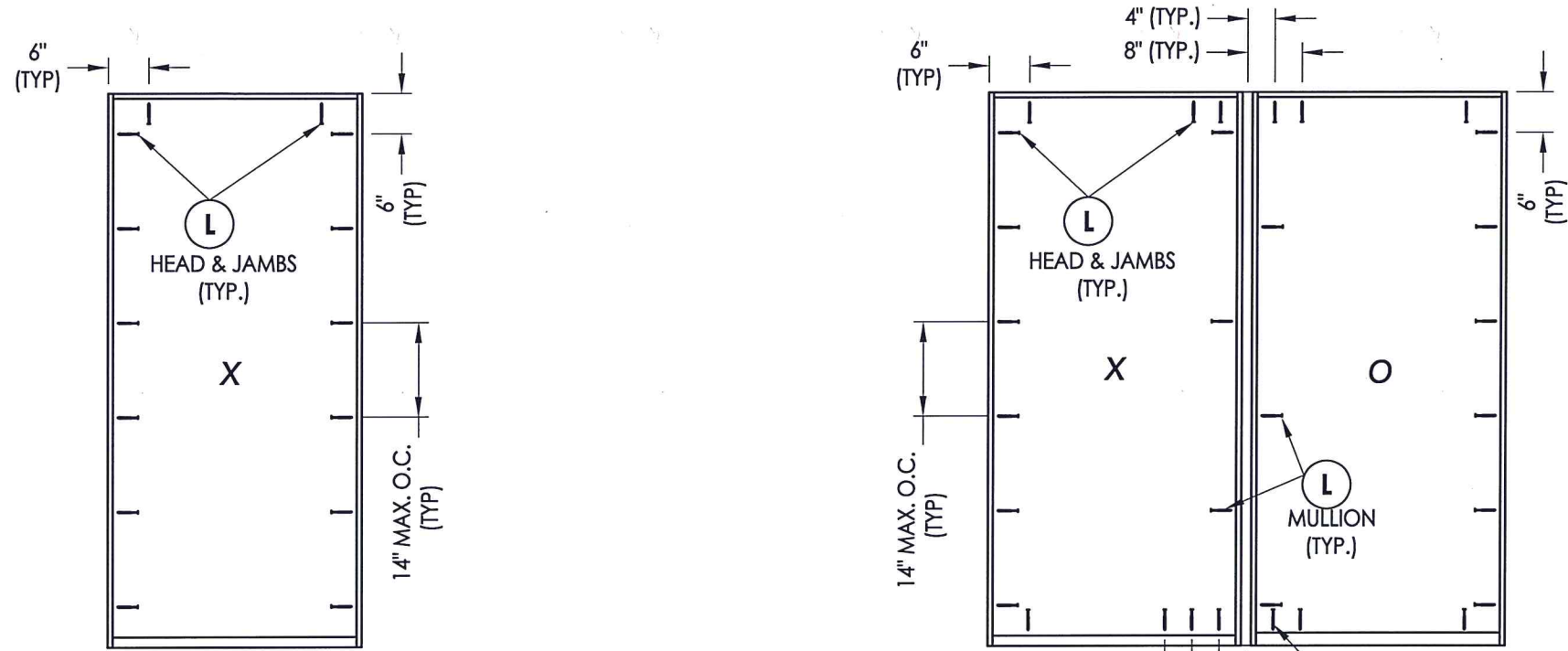
Documents Prepared By: Lyndon F. Schmidt, P.E.
TEXAS P.E. #104123

RW BUILDING CONSULTANTS, INC.
P.O. Box 230 Valrico FL 33595
Phone No.: 813.659.9197

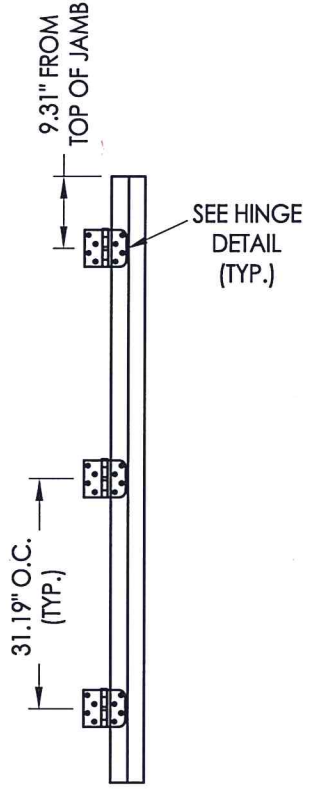
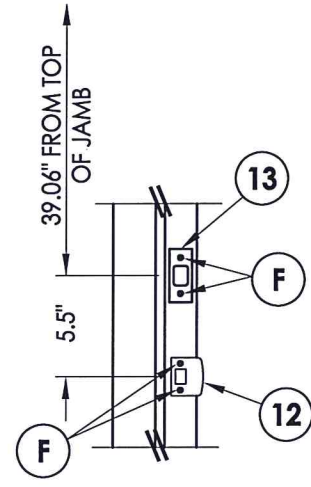
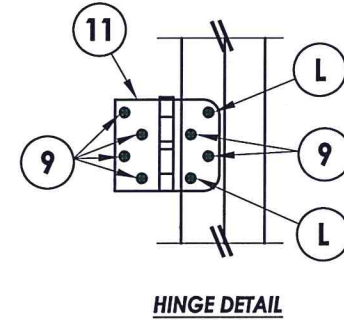
TEXAS BOARD OF PROFESSIONAL ENGINEERS
CERTIFICATE OF REGISTRATION # F-11852

PRODUCT:	PLASTPRO FIBERGLASS DOOR
PART OR ASSEMBLY:	VERTICAL CROSS SECTIONS
DATE:	11/11/14
SCALE:	N.T.S.
DWG. BY:	JK
CHK. BY:	LFS
DRAWING NO.:	TX-4477
SHEET	4 OF 8
NO.	1
DATE	5/07/20
BY	LFS
REVISIONS	UPDATE TO 2018 IBC/IRC CODE AND REVISE IMPACT LITE FRAME

© 2014 R.W. BUILDING CONSULTANTS INC.



FRAME ANCHORING
2X stud framing
w/ wood/concrete substrate



Documents Prepared By: Lyndon F. Schmidt, P.E.
TEXAS P.E. #104123

RW BUILDING CONSULTANTS, INC.
P.O. Box 230 Valrico FL 33595
Phone No.: 813.659.9197

TEXAS BOARD OF PROFESSIONAL ENGINEERS
CERTIFICATE OF REGISTRATION # F-11852

PRODUCT: PLASTPRO FIBERGLASS DOOR

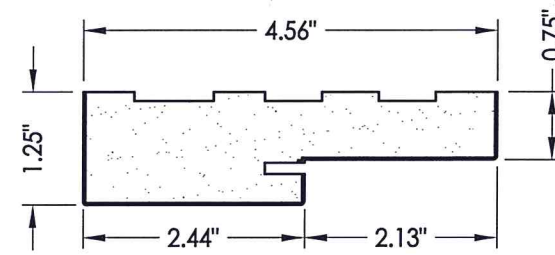
PART OR ASSEMBLY: FRAME ANCHORING & HARDWARE DETAILS

NO.	DATE	REVISIONS
1	5/07/20	UPDATE TO 2018 IBC/IRC CODE AND REVISE IMPACT LITE FRAME

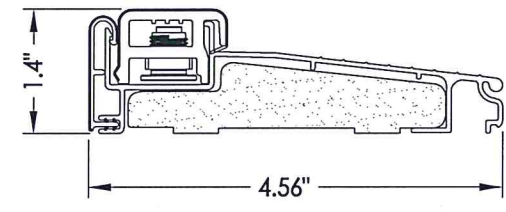
DATE: 11/11/14
SCALE: N.T.S.
DWG. BY: JK
CHK. BY: LFS
DRAWING NO.: TX-4477
SHEET 6 OF 8

R:\Clients\Plastpro, Inc PERMANENT\B - TD\TDI - DR 462 68 Glazed Impact Sgl Dbl w-wo Sidelites\Drawings\TX-4477-78.dwg, 8.1

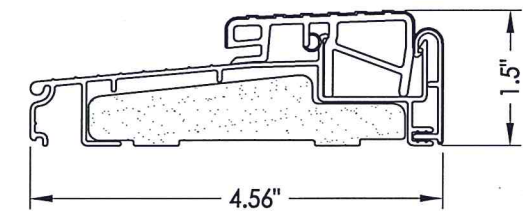
BILL OF MATERIALS		
ITEM #	DESCRIPTION	MATERIAL
A	2X FRAMING (SG >= 0.42)	WOOD
C	1/4" MAX. SHIM SPACE	-
F	#10 X 2-1/2" PFH WOOD SCREW	STEEL
J	#10 X 2" PFH WOOD SCREW	STEEL
L	#10 X 2-1/2" PFH WOOD SCREW (1.15" MIN. EMB.)	STEEL
M	#8 X 2" PH SMS	STEEL
P	#10 PFH WOOD SCREW (1-1/2" MIN. EMB.)	STEEL
Q	1/4" PFH CONCRETE SCREW (1-3/4" MIN. EMB.)	STEEL
1	POLY FIBER JAMB	COMP.
5	2X REINFORCEMENT (SG >= 0.55)	WOOD
6	SWEEP	PVC
7	WEATHERSTRIP (ENDURA FORCE 5)	FOAM
8	WEATHERSTRIP (Q-LON)	FOAM
9	#10 x 1" PFH WOOD SCREW	STEEL
11	4" X 4" HINGE	STEEL
12	LATCH STRIKE PLATE	STEEL
13	DEADBOLT STRIKE PLATE	STEEL
20	INSWING THRESHOLD	ALUM/COMP
21	INSWING THRESHOLD w/ SIDELITE ADAPTER	ALUM/COMP
22	OUTSWING THRESHOLD	ALUM/COMP
23	OUTSWING THRESHOLD w/ SIDELITE ADAPTER	ALUM/COMP
24	ADA THRESHOLD	
40	DOOR PANEL	-
50	SIDELITE PANEL	-



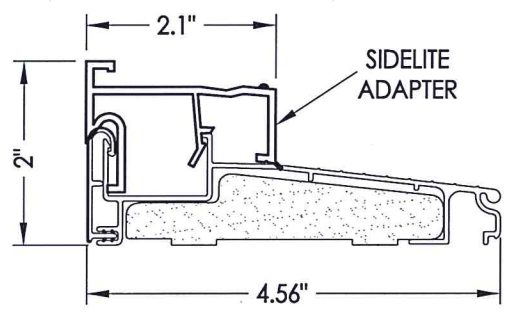
1 POLY FIBER JAMB



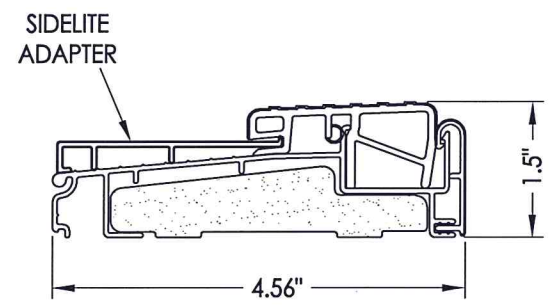
20 INSWING THRESHOLD
Endura (Z-Series)



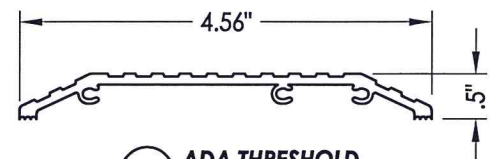
22 OUTSWING THRESHOLD
Endura (Z-Series)



21 INSWING THRESHOLD w/ SIDELITE ADAPTER
Endura (Z-Series)



23 OUTSWING THRESHOLD w/ SIDELITE ADAPTER
Endura (Z-Series)



24 ADA THRESHOLD
DLP

CONCRETE ANCHOR NOTES:

- Concrete anchor locations at the corners may be adjusted to maintain the min. edge distance to mortar joints.
- Concrete anchor locations noted as "MAX. ON CENTER" must be adjusted to maintain the min. edge distance to mortar joints, additional concrete anchors may be required to ensure the "MAX. ON CENTER" dimension are not exceeded.
- Concrete anchor table:

ANCHOR TYPE	ANCHOR SIZE	MIN. EMBEDMENT	MIN. CLEARANCE TO MASONRY EDGE	MIN. CLEARANCE TO ADJACENT ANCHOR
ITW TAPCON®	1/4"	1-3/4"	1-1/2"	4"
ELCO ULTRACON®	1/4"	1-3/4"	1"	4"



Documents Prepared By: Lyndon F. Schmidt, P.E.
TEXAS P.E. #104123

RW BUILDING CONSULTANTS, INC.
P.O. Box 230 Valrico FL 33595
Phone No.: 813.659.9197
TEXAS BOARD OF PROFESSIONAL ENGINEERS
CERTIFICATE OF REGISTRATION # F-11852

PRODUCT: PLASTIPRO FIBERGLASS DOOR
PART OR ASSEMBLY: BILL OF MATERIALS & COMPONENTS

NO.	DATE	REVISIONS
1	5/07/20	UPDATE TO 2018 IBC/IRC CODE AND REVISE IMPACT LITE FRAME

DATE: 11/11/14
SCALE: N.T.S.
DWG. BY: JK
CHK. BY: LFS
DRAWING NO.: TX-4477
SHEET 8 OF 8