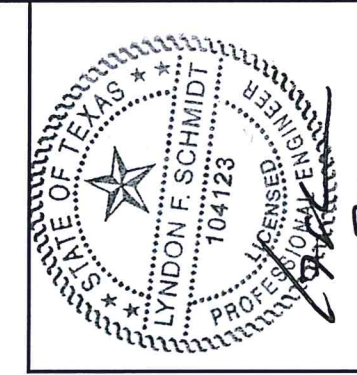
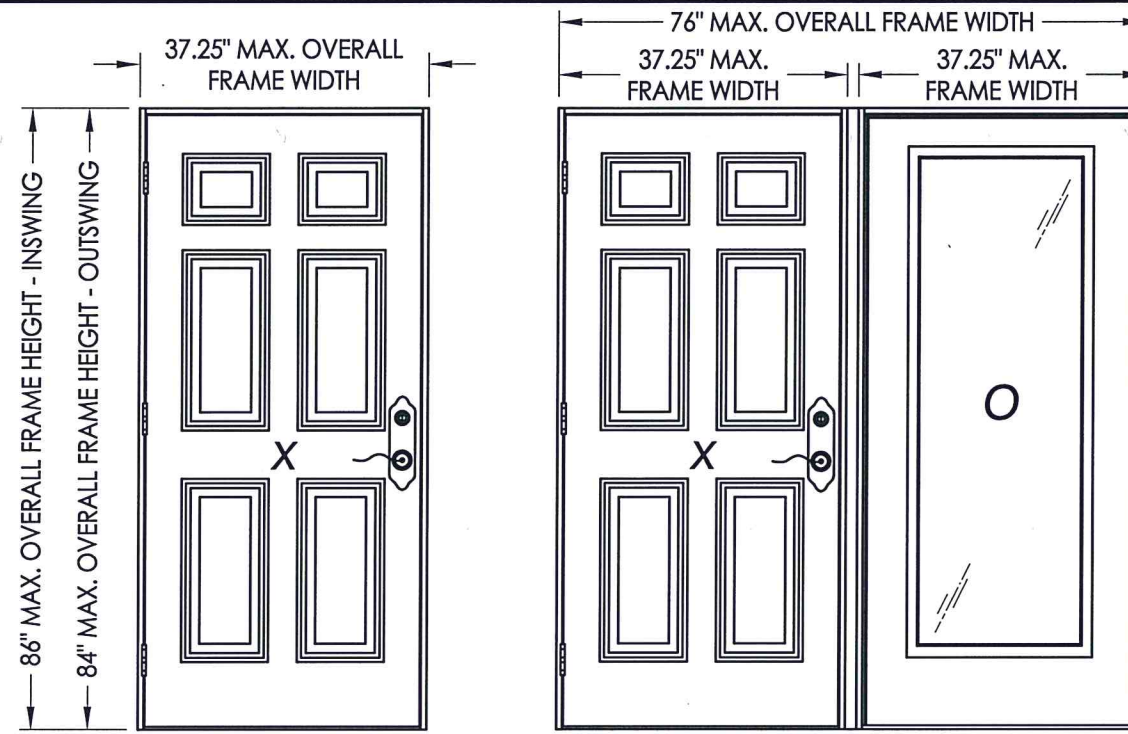


plastpro

5200 W. CENTURY BLVD.
LOS ANGELES, CA 90045

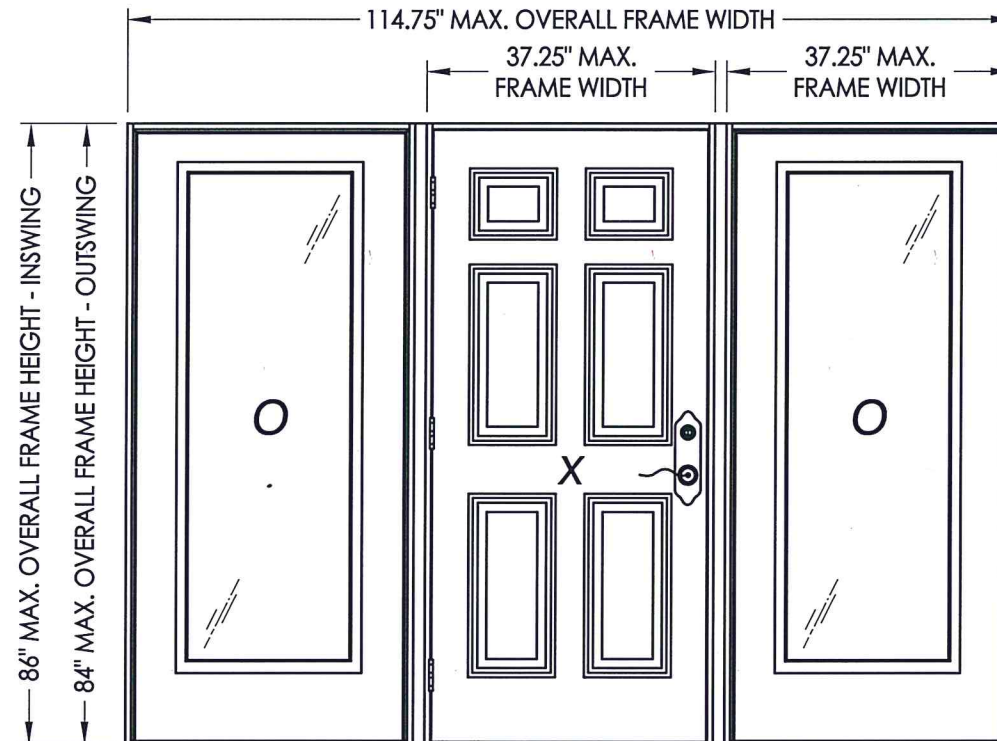
OPAQUE FIBERGLASS SINGLE DOOR w/ or w/out SIDELITES INSWING / OUTSWING "IMPACT"



Documents Prepared By: Lyndon F. Schmidt, P.E.
TEXAS P.E. #104123

RW BUILDING CONSULTANTS, INC.
P.O. Box 230 Valrico FL 33595
Phone No.: 813.659.9197

TEXAS BOARD OF PROFESSIONAL ENGINEERS
CERTIFICATE OF REGISTRATION # F-11852



EVALUATED FOR USE IN THE STATE OF TEXAS

The Fiberglass Door system described herein complies with the 2018 International Residential Code (IRC), Sections R301 & R609 and the 2018 International Building Code (IBC), Sections 1404.13, 1609, 1709.5, 2403 and 2404 subject to the following conditions:

1. Anchors shall be as listed and spaced as shown in the details. Anchor embedment to base material shall be beyond wall dressing or stucco.
2. This system has been tested and evaluated as a large missile impact protective system for installation in areas that require wind borne debris protection. This product meets missile level "D" as defined in ASTM E 1996.
3. Allowable design pressure requirements must be equal to or less than the design pressure rating shown in the design pressure chart, sheet 1 of this drawing.
4. Conditions not covered by this drawing are subject to further engineering analysis.

TABLE OF CONTENTS

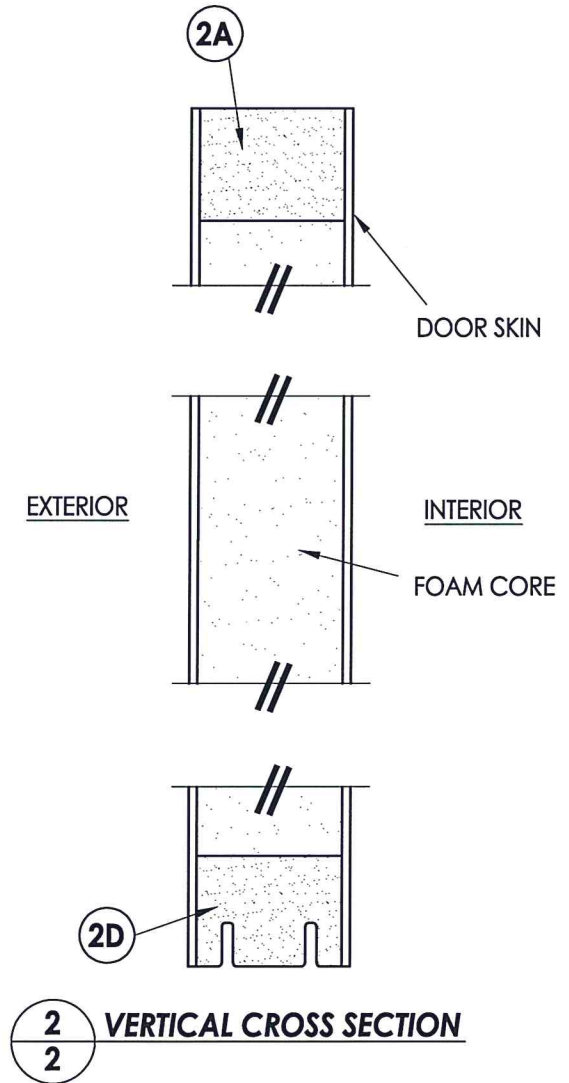
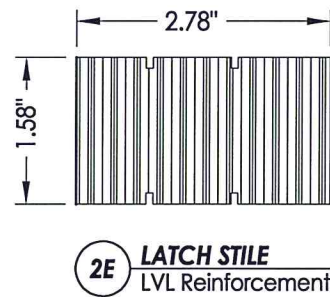
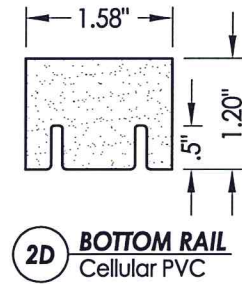
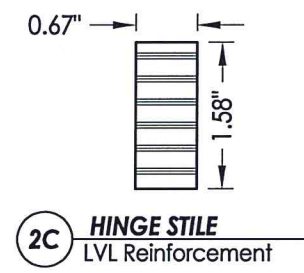
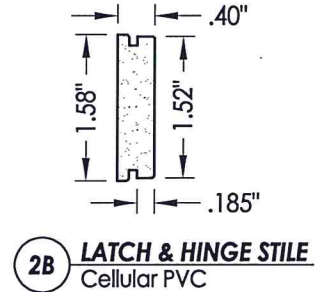
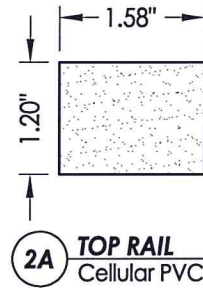
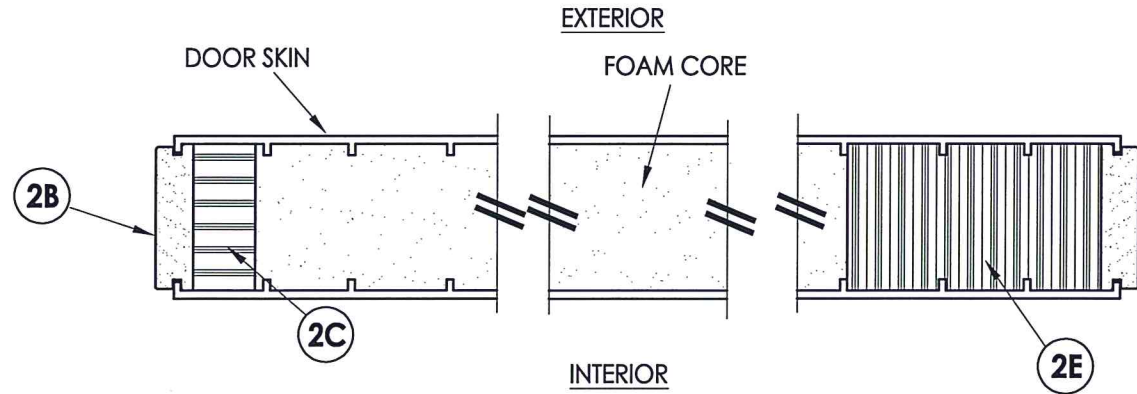
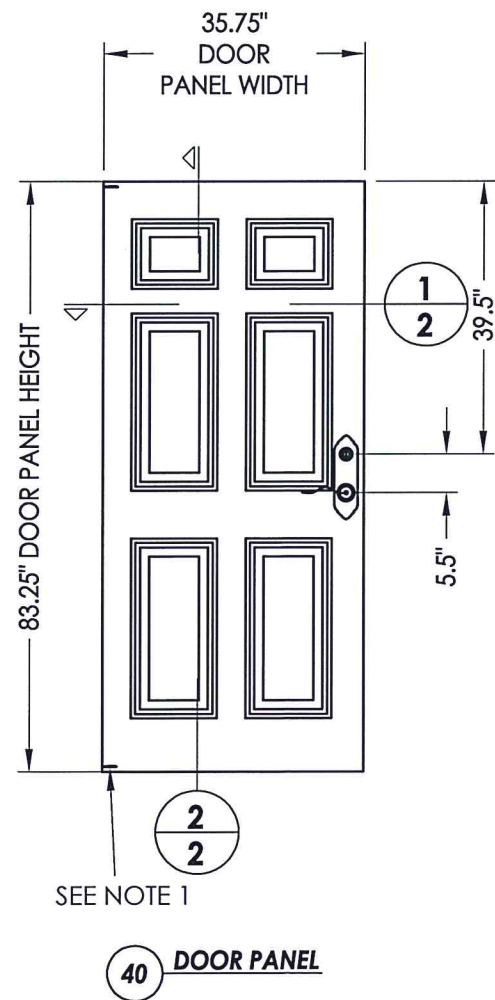
SHEET#	DESCRIPTION
1	Typical elevations, design pressures & general notes
2	Door panel details
3	Sidelite panel details
4	Elevations
5	Horizontal cross sections
6	Vertical cross sections
7	Vertical cross sections
8	Frame anchoring
9	Frame anchoring
10	Lite frame & glazing details
11	Components, multi-point lock details & bill of materials

CONFIGURATION	MAX. FRAME DIMENSION	MAX. SIDELITE D.L.O. DIMENSION	GLASS TYPE	DESIGN PRESSURE (PSF) INSWING		DESIGN PRESSURE (PSF) OUTSWING	
				POSITIVE	NEGATIVE	POSITIVE	NEGATIVE
X	37.25" x 86.0"	N/A	N/A	+50.0	-55.0	+50.0	-50.0
OX / XO	76.0" x 86.0"	20.63" x 62.63"	G1	+50.0	-55.0	+50.0	-50.0
OXO	114.75" x 86.0"	20.63" x 62.63"		+50.0	-55.0	+50.0	-50.0

PRODUCT: PLASTPRO FIBERGLASS DOOR
PART OR ASSEMBLY: TYPICAL ELEVATIONS, DESIGN PRESSURES & GENERAL NOTES

NO.	DATE	REVISIONS
1	5/12/20	UPDATE TO 2018 IBC/IRC CODE AND REVISE IMPACT LITE FRAME

DATE: 04/13/10
SCALE: N.T.S.
DWG. BY: JK
CHK. BY: LFS
DRAWING NO.: TX-4070
SHEET 1 OF 11



Documents Prepared By: Lyndon F. Schmidt, P.E.
TEXAS P.E. #104123

RW BUILDING CONSULTANTS, INC.
P.O. Box 230 Valrico FL 33595
Phone No.: 813.659.9197
TEXAS BOARD OF PROFESSIONAL ENGINEERS
CERTIFICATE OF REGISTRATION # F-11852

PRODUCT: PLASTPRO FIBERGLASS DOOR
PART OR ASSEMBLY: DOOR PANEL DETAILS

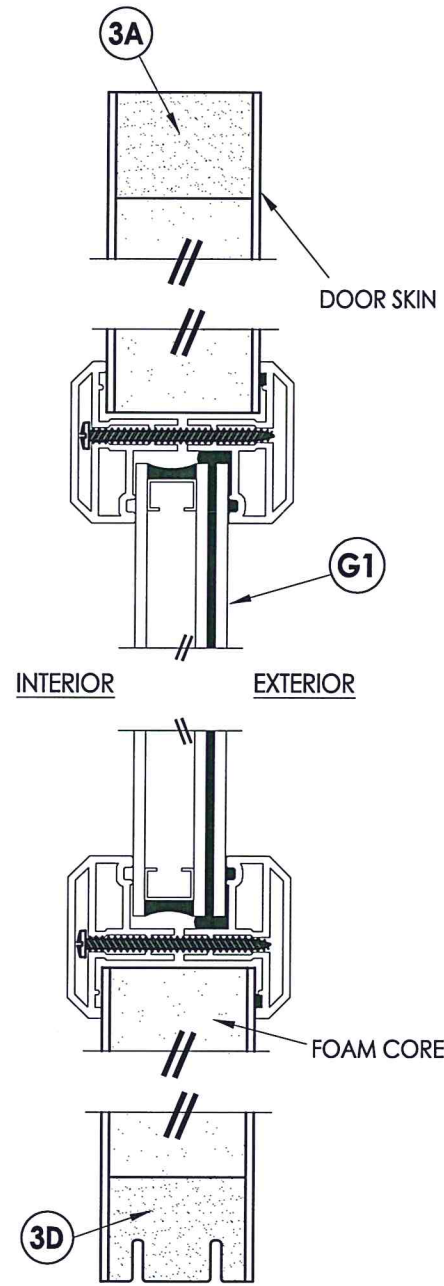
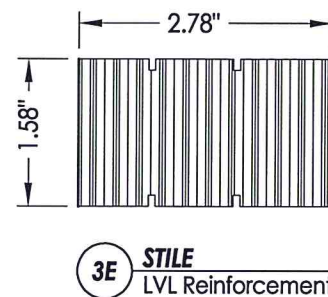
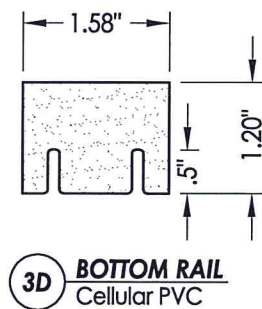
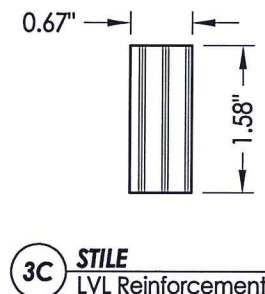
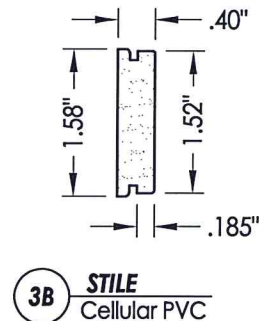
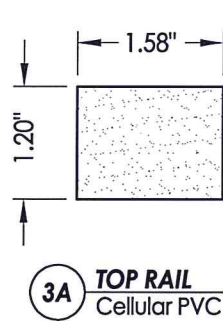
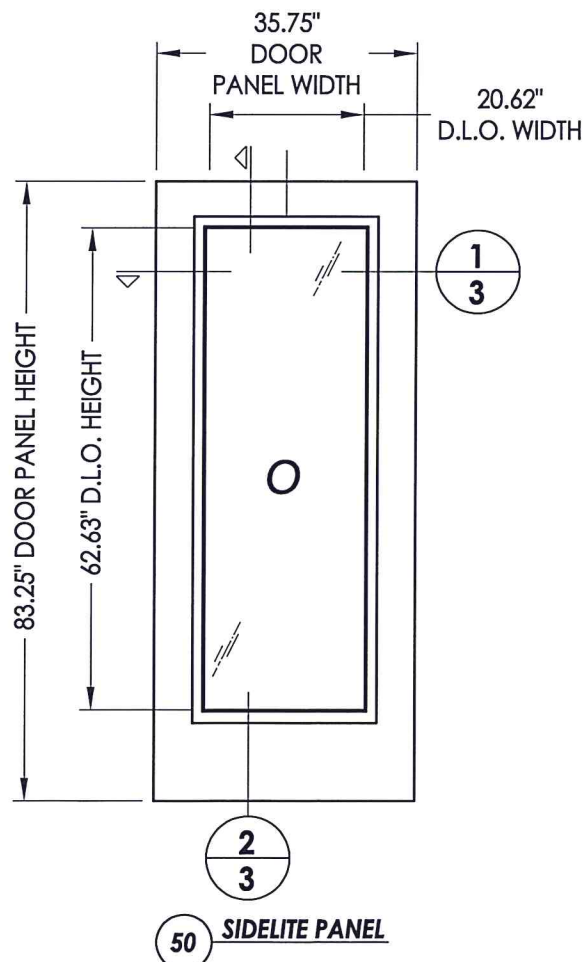
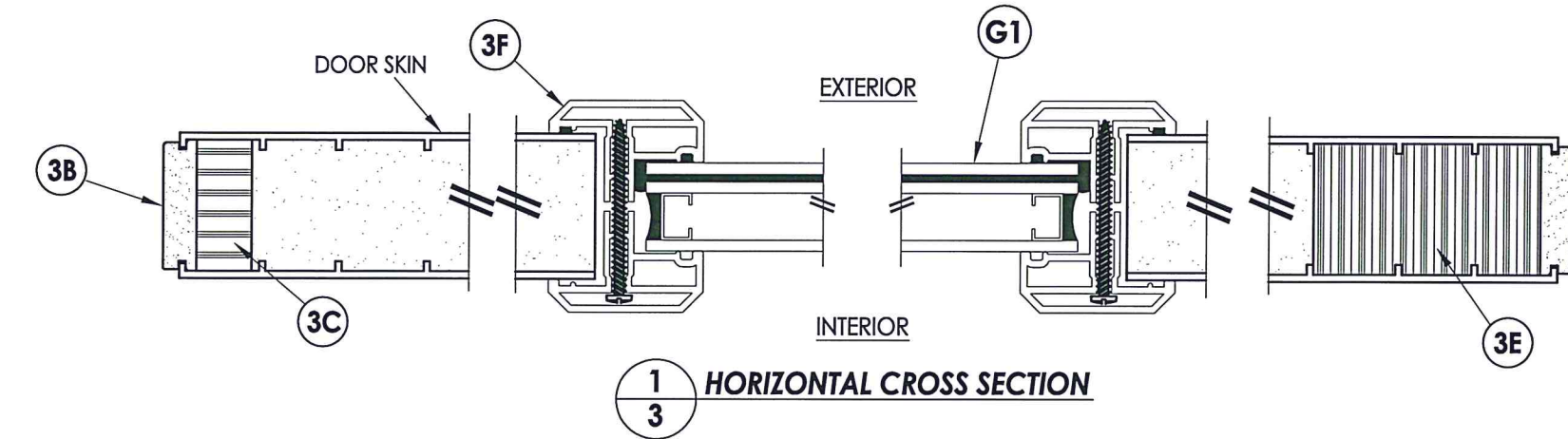
NO.	DATE	BY	REVISIONS
1	5/12/20	LFS	UPDATE TO 2018 IBC/IRC CODE AND REVISE IMPACT LITE FRAME

DATE: 04/13/10
SCALE: N.T.S.
DWG. BY: JK
CHK. BY: LFS
DRAWING NO.: TX-4070
SHEET 2 OF 11

NOTE 1:
1. #8 x 2" PFH wood screw through hinge cap into top and bottom rails for D.P. > 47 PSF.

FIBERGLASS DOOR SKIN: MIN. 0.075" THK.
CORE MATERIAL: POLYURETHANE FOAM (MIN. 1.9 PCF DENSITY)

R:\Clients\Plastipro, Inc PERMANENT\B - TD\Hinged Doors - Fiberglass\DR - 454 Opaque Fiberglass (Impact)\C - Drawings\TX-4070-71.dwg, 3-3



Documents Prepared By: Lyndon F. Schmidt, P.E.
TEXAS P.E. #104123

RW BUILDING CONSULTANTS, INC.
P.O. Box 230 Valrico FL, 33595
Phone No.: 813.659.9197

TEXAS BOARD OF PROFESSIONAL ENGINEERS
CERTIFICATE OF REGISTRATION # F-11852

PRODUCT: PLASTIPRO
FIBERGLASS DOOR

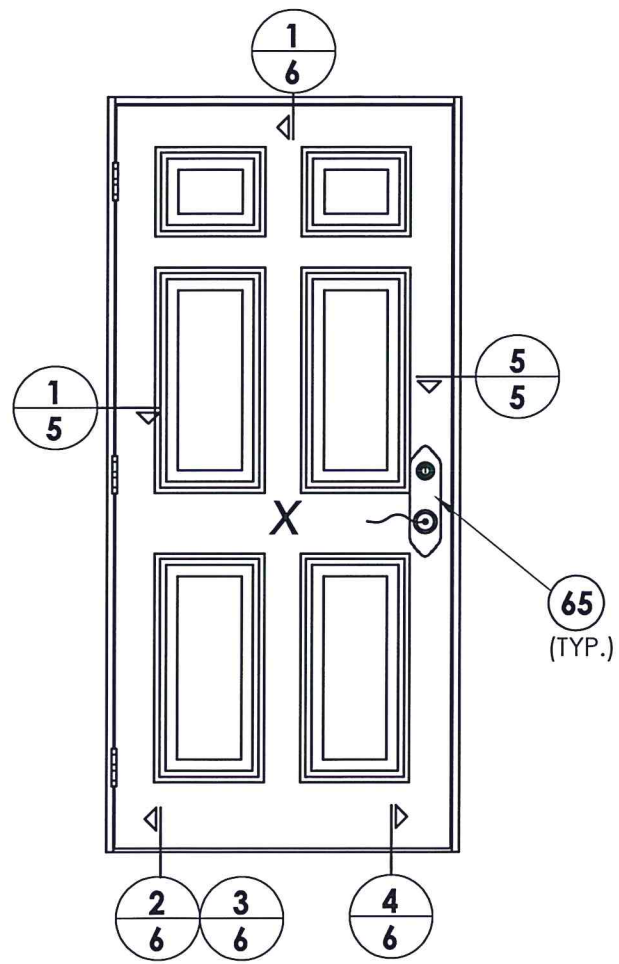
PART OR ASSEMBLY:
SIDELITE PANEL &
GLAZING DETAILS

NO.	DATE	REVISIONS	BY
1	5/12/20	UPDATE TO 2018 IBC/IRC CODE AND REVISE IMPACT LITE FRAME	LFS

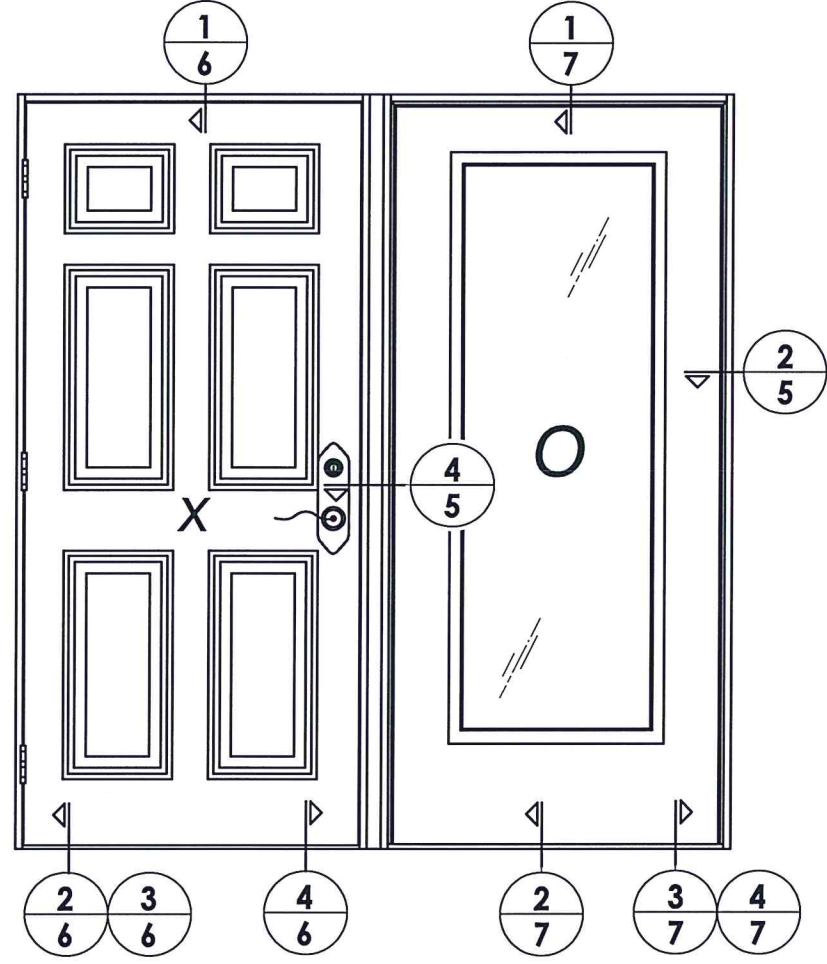
DATE: 04/13/10
SCALE: N.T.S.
DWG. BY: JK
CHK. BY: LFS
DRAWING NO.: TX-4070
SHEET 3 OF 11

© 2010 R.W. BUILDING CONSULTANTS INC.

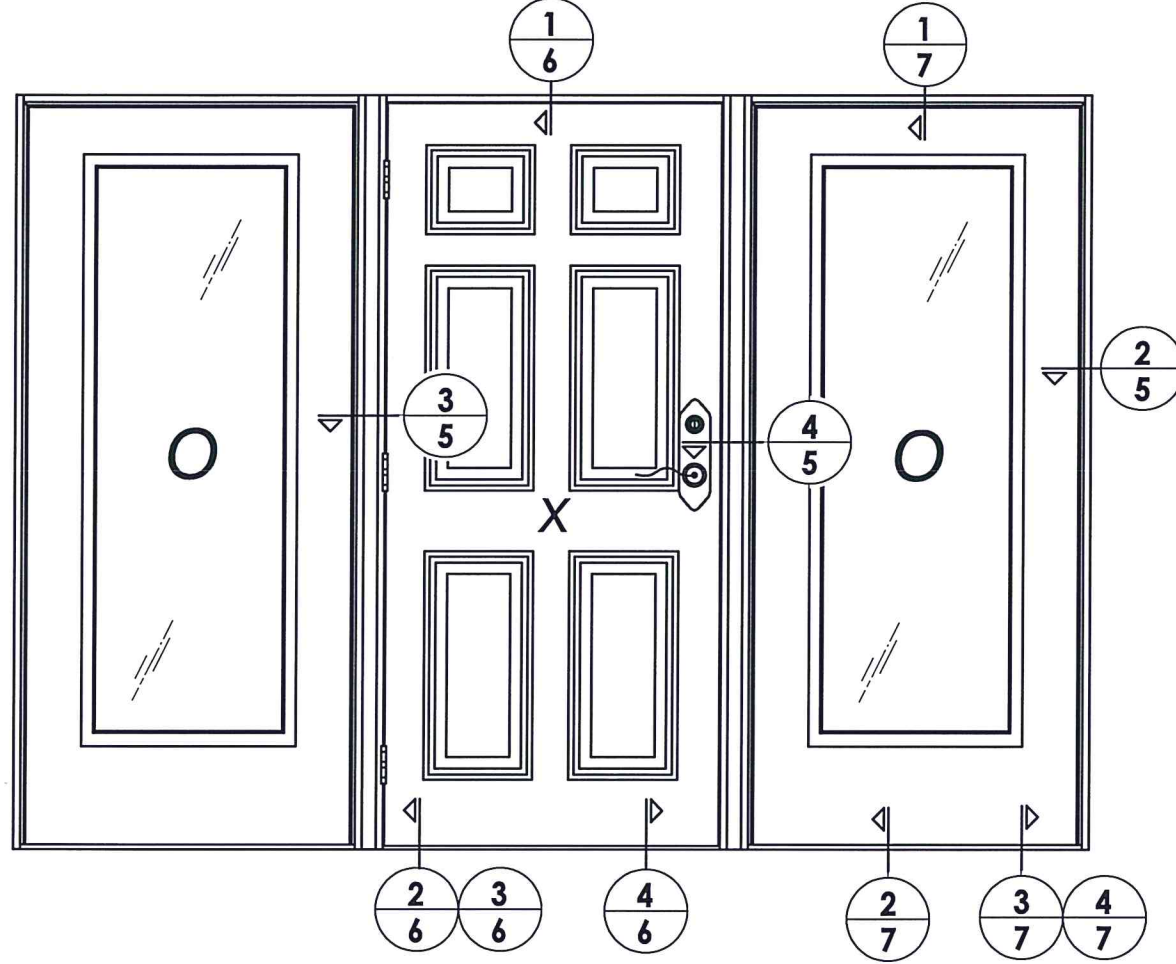
FIBERGLASS DOOR SKIN: MIN. 0.075" THK.
CORE MATERIAL: POLYURETHANE FOAM (MIN. 1.9 PCF DENSITY)



ELEVATION (X)



ELEVATION (XO / OX)



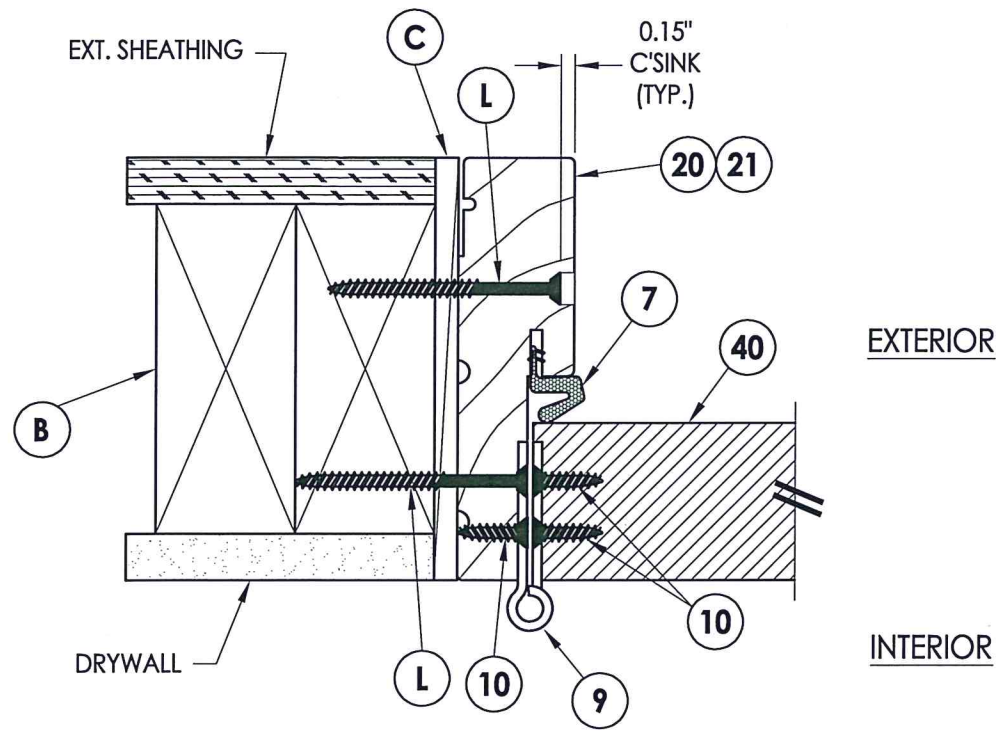
ELEVATION (OXO)



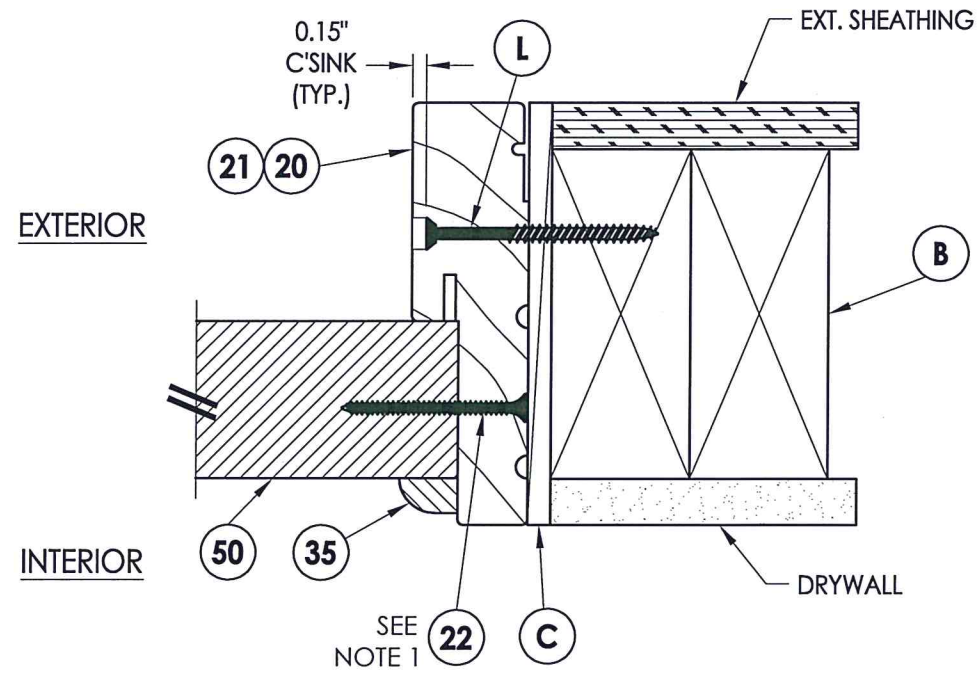
Documents Prepared By: Lyndon F. Schmidt, P.E.
TEXAS P.E. #104123

RW BUILDING CONSULTANTS, INC.
P.O. Box 230 Valrico FL, 33595
Phone No.: 813.659.9197
TEXAS BOARD OF PROFESSIONAL ENGINEERS
CERTIFICATE OF REGISTRATION # F-11852

PRODUCT:		PLASTPRO FIBERGLASS DOOR	
PART OR ASSEMBLY:		ELEVATIONS	
NO.	DATE	DESCRIPTION	BY
1	5/12/20	UPDATE TO 2018 IBC/IRC CODE AND REVISE IMPACT LITE FRAME	LFS
REVISIONS			
DATE: 04/13/10			
SCALE: N.T.S.			
DWG. BY: JK			
CHK. BY: LFS			
DRAWING NO.: TX-4070			
SHEET 4 OF 11			



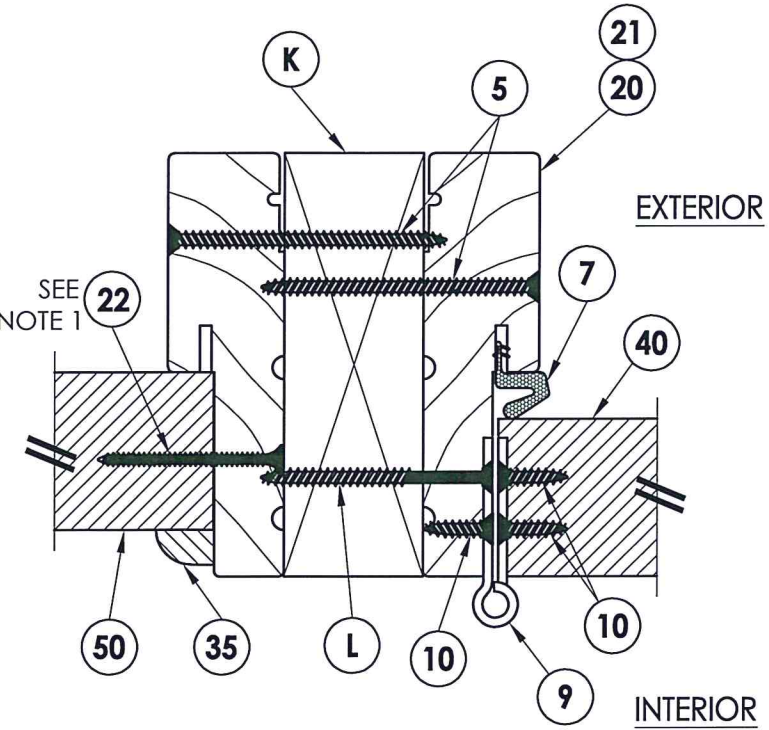
1 HORIZONTAL CROSS SECTION
5 Inswing shown - outswing also approved



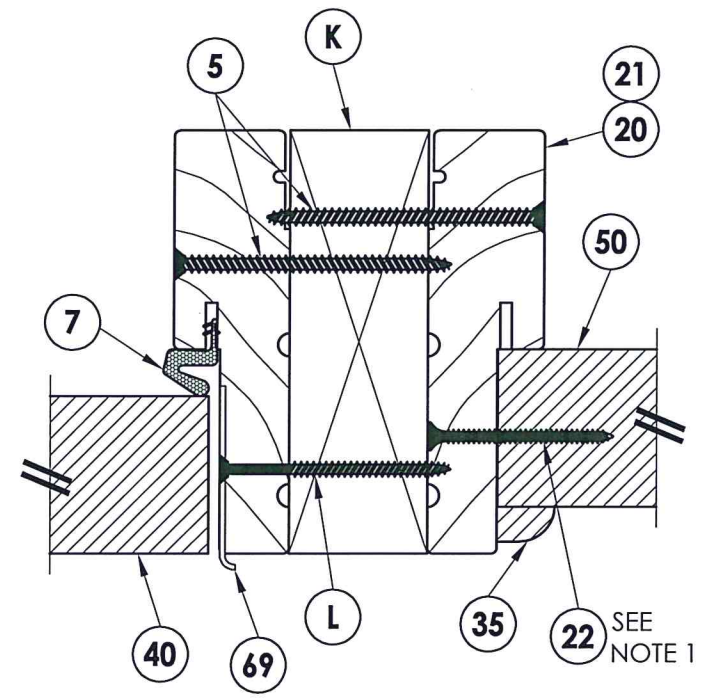
2 HORIZONTAL CROSS SECTION
5 Inswing shown - outswing also approved



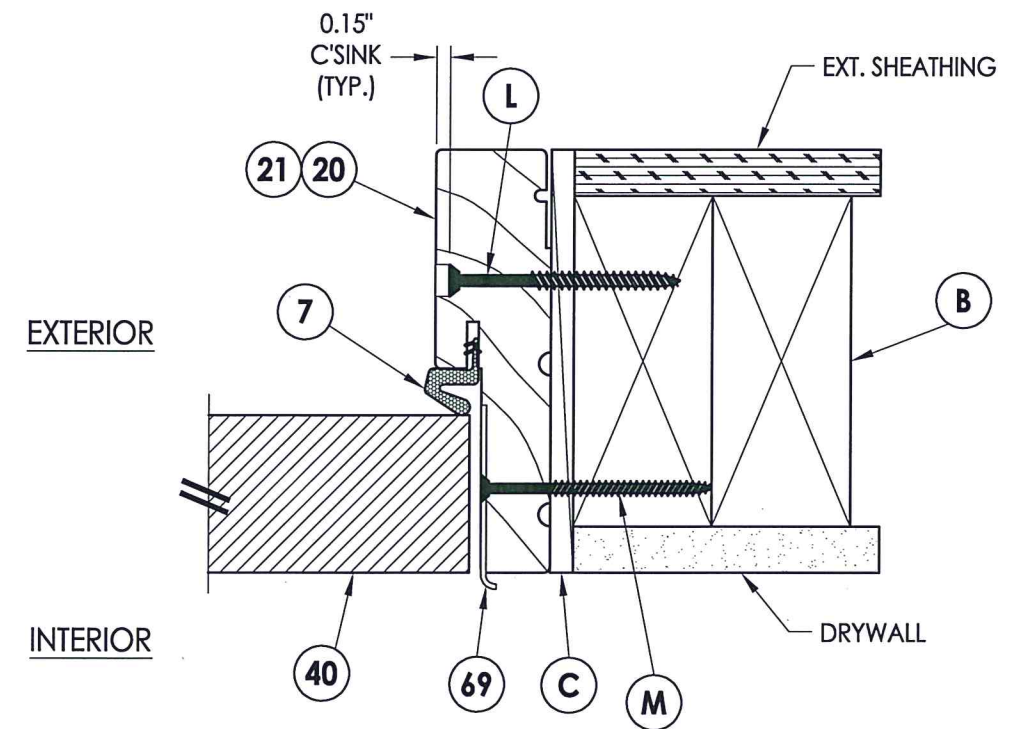
NOTE:
 1. Sidelite screws (item #22) located at 3", 6", 16", 27", 38", 49", 60", 70" and 80" from bottom of panel.



3 HORIZONTAL CROSS SECTION
5 Inswing shown - outswing also approved



4 HORIZONTAL CROSS SECTION
5 Inswing shown - outswing also approved



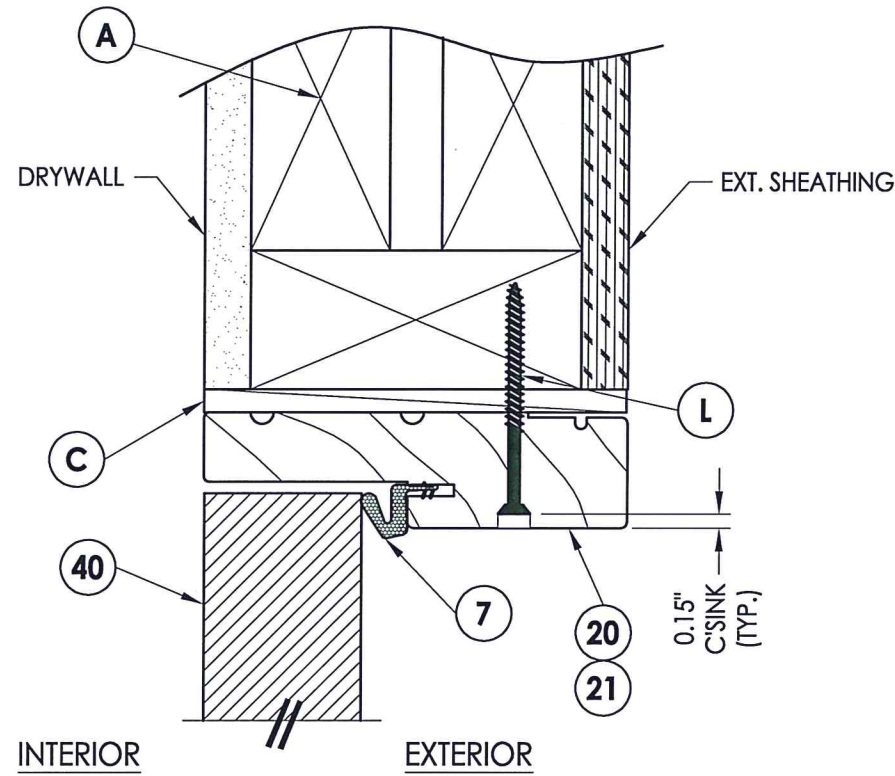
5 HORIZONTAL CROSS SECTION
5 Inswing shown - outswing also approved

Documents Prepared By: Lyndon F. Schmidt, P.E.
 TEXAS P.E. #104123
RW BUILDING CONSULTANTS, INC.
 P.O. Box 230 Vairico FL 33595
 Phone No.: 813.659.9197
 TEXAS BOARD OF PROFESSIONAL ENGINEERS
 CERTIFICATE OF REGISTRATION # F-11852

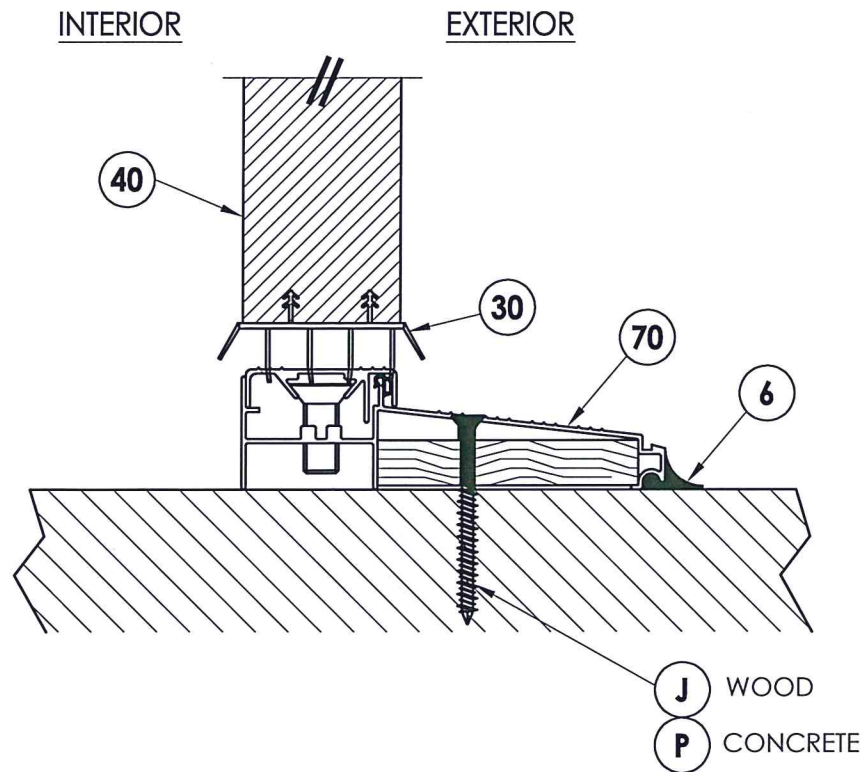
PRODUCT: PLASTIPRO FIBERGLASS DOOR
 PART OR ASSEMBLY: HORIZONTAL CROSS SECTIONS

NO.	DATE	REVISIONS
1	5/12/20	UPDATE TO 2018 IBC/IRC CODE AND REVISE IMPACT LITE FRAME

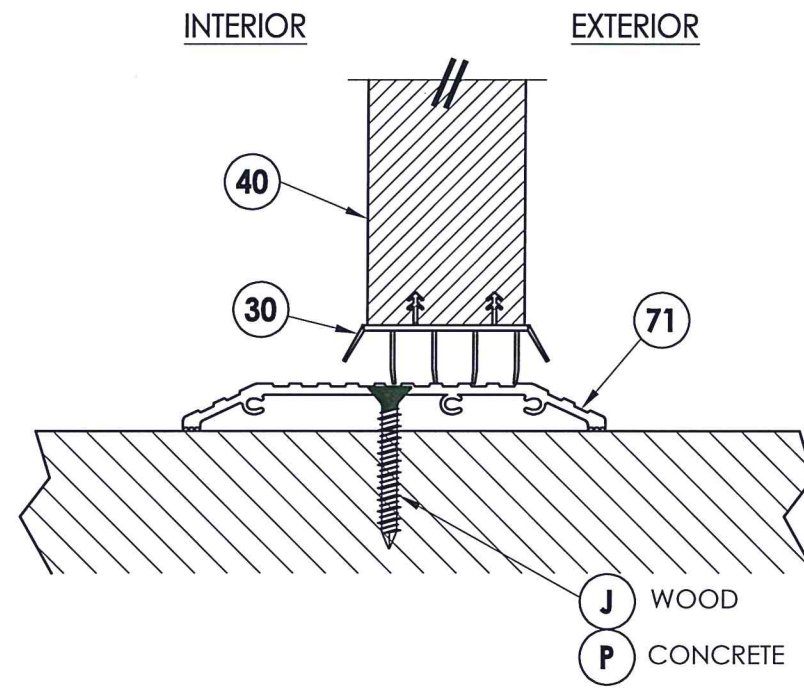
DATE: 04/13/10
 SCALE: N.T.S.
 DWG. BY: JK
 CHK. BY: LFS
 DRAWING NO.: TX-4070
 SHEET 5 of 11



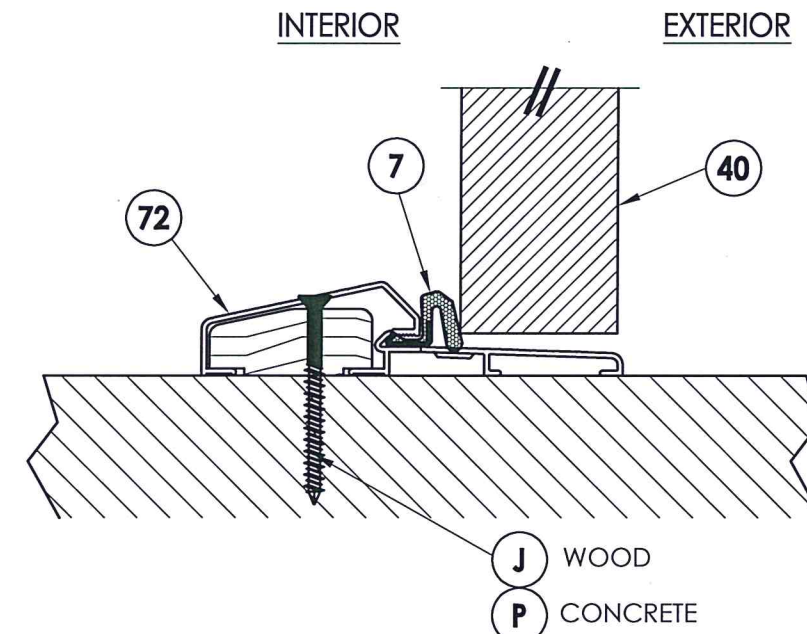
1 VERTICAL CROSS SECTION
6 Inswing shown - outswing also approved



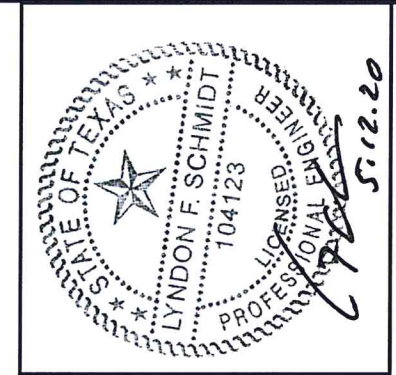
2 VERTICAL CROSS SECTION
6 Inswing configuration



3 VERTICAL CROSS SECTION
6 Shown w/ ADA threshold



4 VERTICAL CROSS SECTION
6 Outswing configuration



Documents Prepared By: Lyndon F. Schmidt, P.E.
 TEXAS P.E. #104123

RW BUILDING CONSULTANTS, INC.
 P.O. Box 230 Vairico FL 33595
 Phone No.: 813.659.9197
 TEXAS BOARD OF PROFESSIONAL ENGINEERS
 CERTIFICATE OF REGISTRATION # F-11852

PRODUCT: PLASTPRO FIBERGLASS DOOR
 PART OR ASSEMBLY: VERTICAL CROSS SECTIONS

NO.	DATE	REVISIONS
1	5/12/20	UPDATE TO 2018 IBC/IRC CODE AND REVISE IMPACT LITE FRAME
LFS		
BY		

DATE: 04/13/10
 SCALE: N.T.S.
 DWG. BY: JK
 CHK. BY: LFS
 DRAWING NO.: TX-4070
 SHEET 6 OF 11

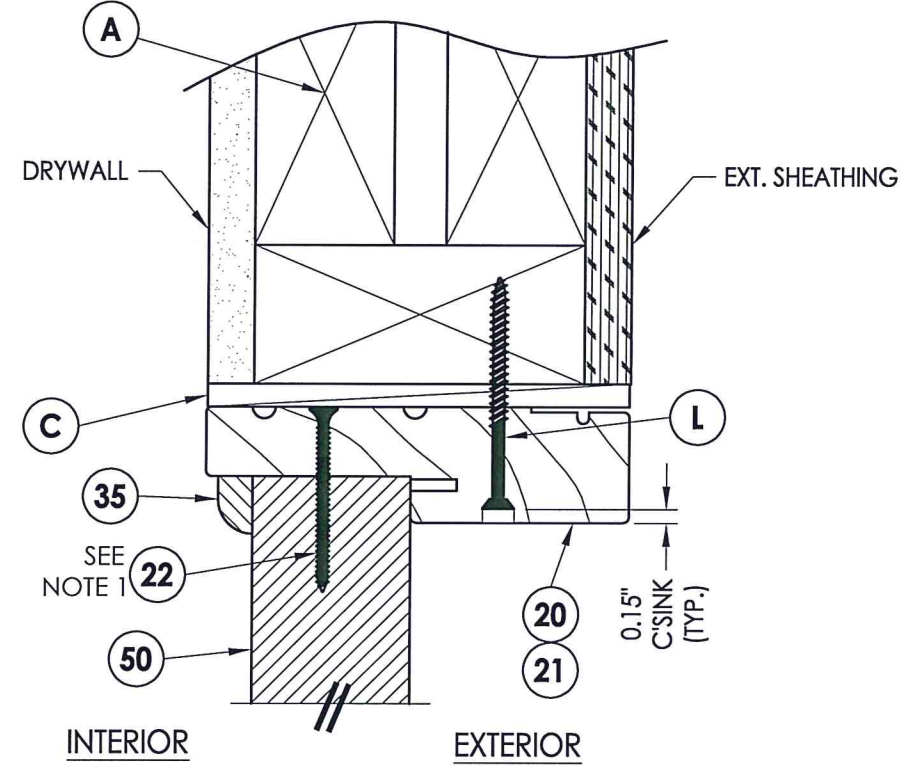
R:\Clients\Plastpro, Inc PERMANENT\B - TD\Hinged Doors - Fiberglass\DR - 454 Opaque Fiberglass (Impact)\C - Drawings\TX-4070-71.dwg, 3-7



Documents Prepared By: Lyndon F. Schmidt, P.E.
TEXAS P.E. #104123

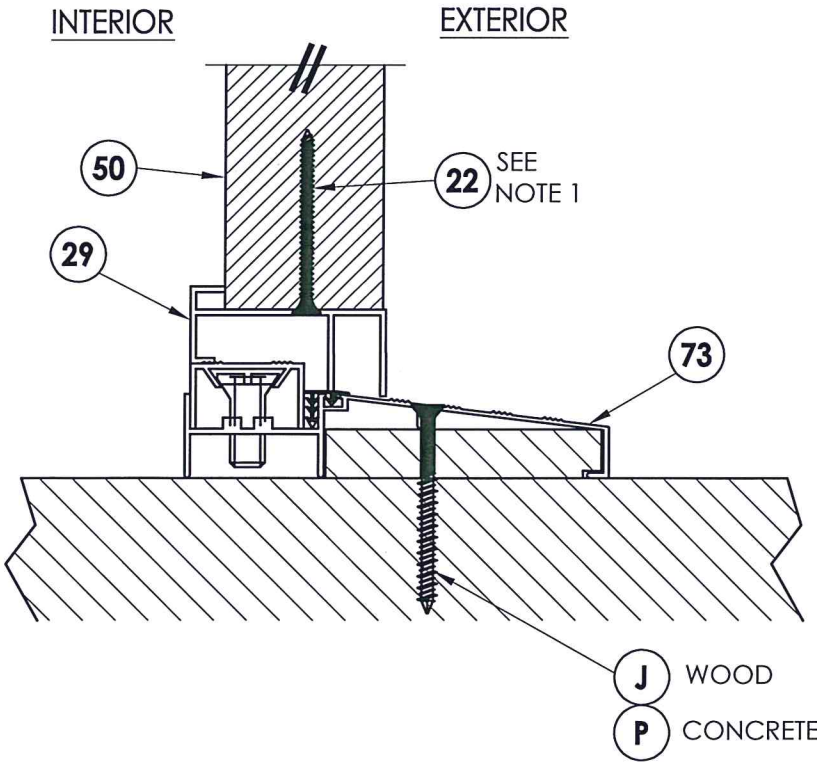
RW BUILDING CONSULTANTS, INC.
P.O. Box 230 Valrico FL 33595
Phone No.: 813.659.9197

TEXAS BOARD OF PROFESSIONAL ENGINEERS
CERTIFICATE OF REGISTRATION # F-11852

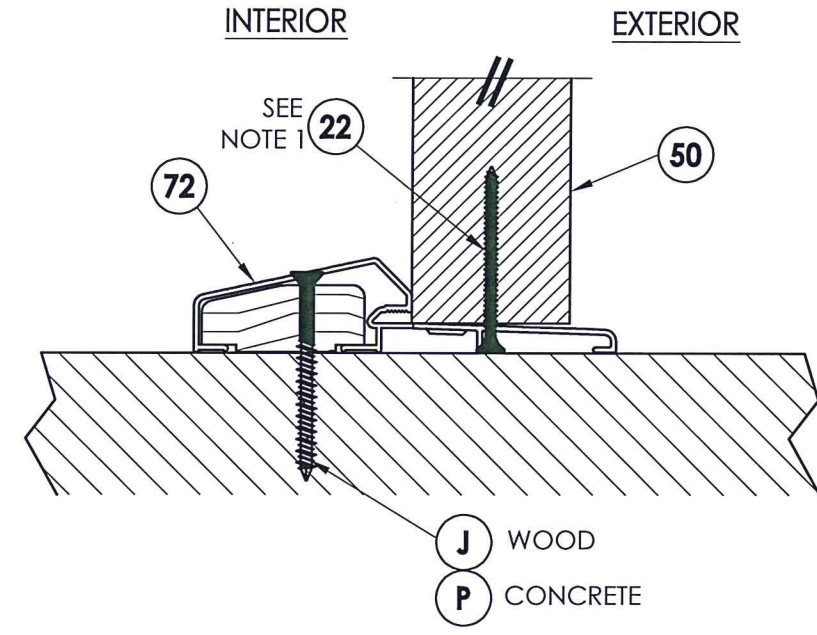


NOTE:
1. Screws thru head and sill jamb located 3" from each end and on center line.

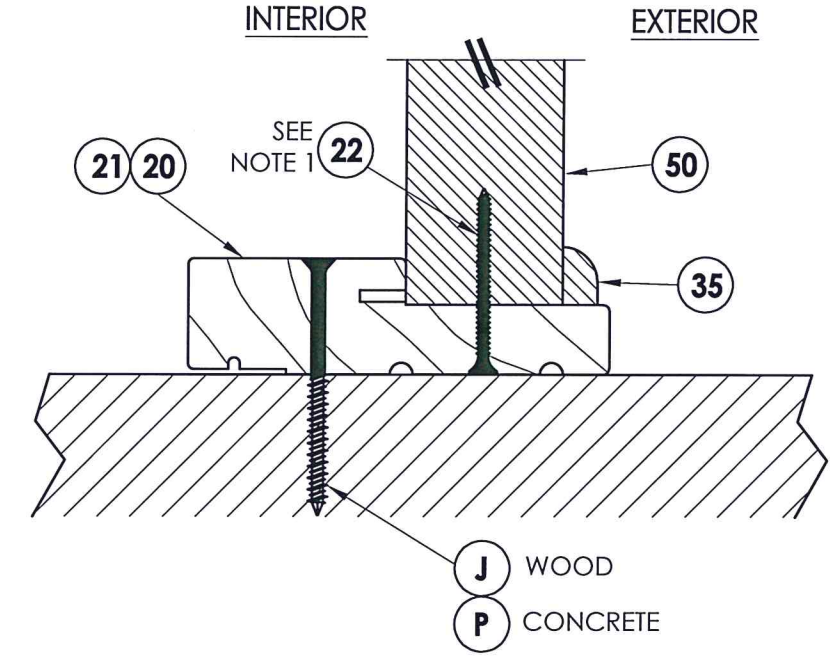
1 **VERTICAL CROSS SECTION**
7 Inswing shown - outswing also approved



2 **VERTICAL CROSS SECTION**
7 Inswing configuration

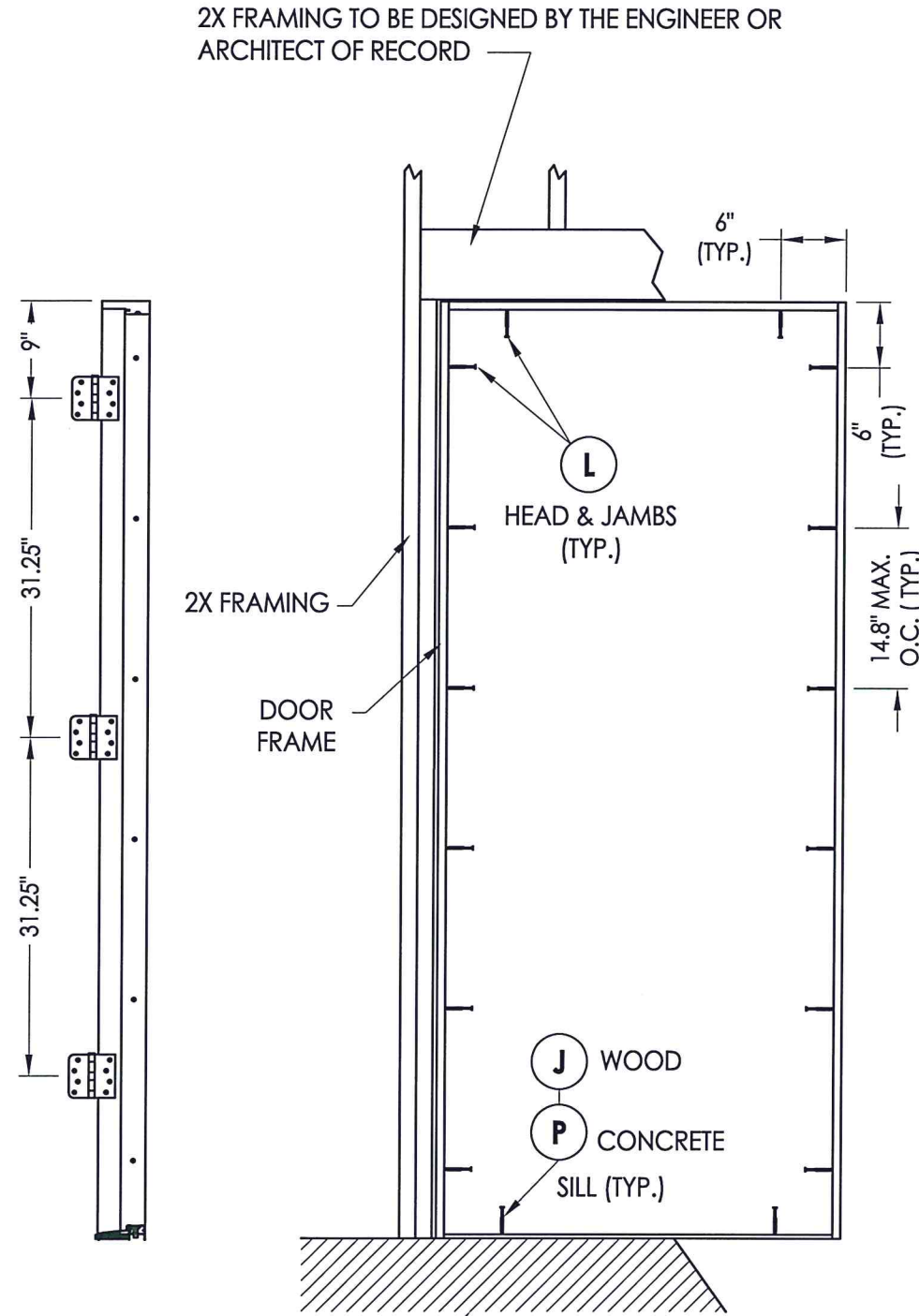


3 **VERTICAL CROSS SECTION**
7 Outswing configuration



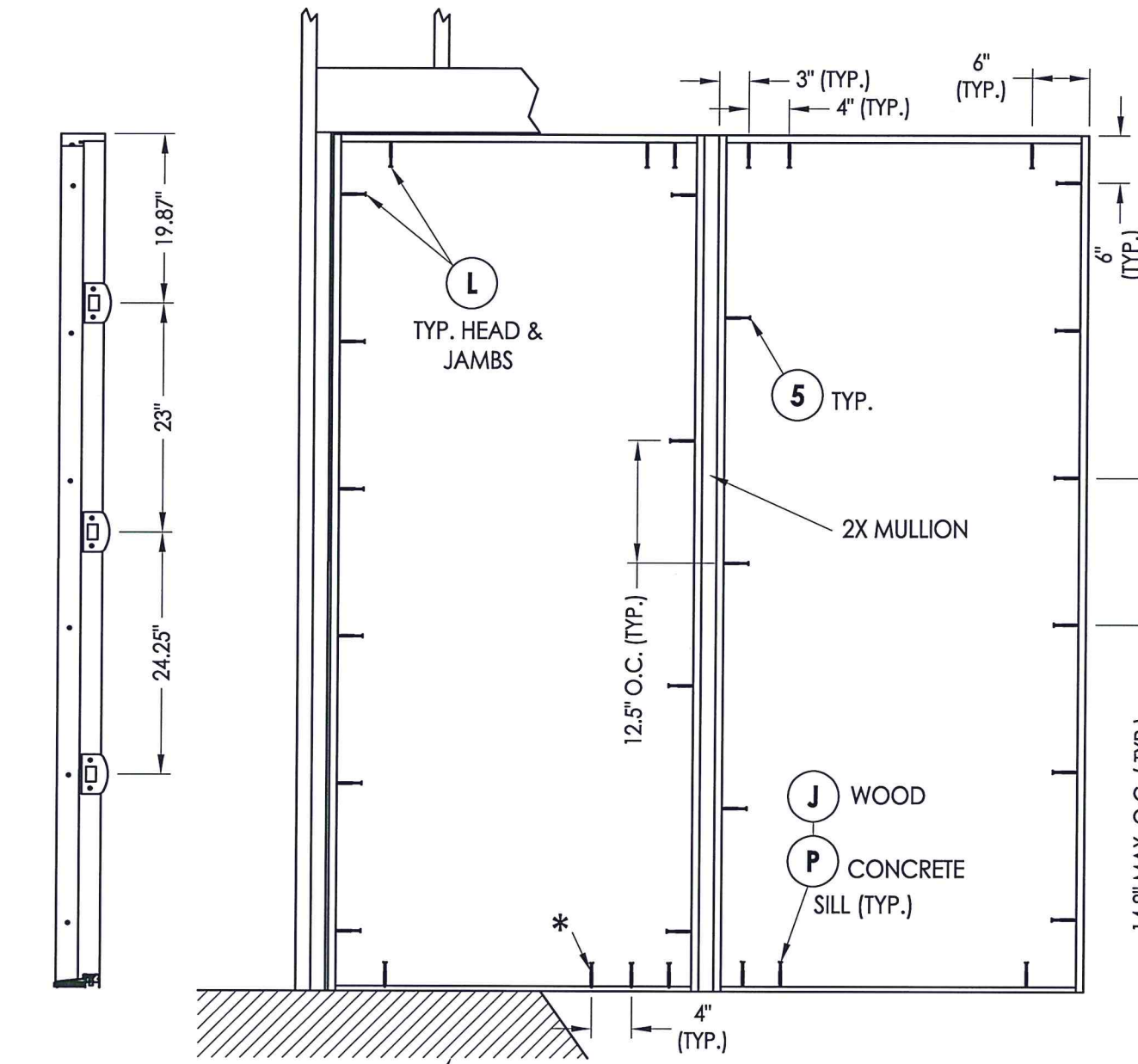
4 **VERTICAL CROSS SECTION**
7 Outswing configuration

PRODUCT:		PLASTPRO FIBERGLASS DOOR	
PART OR ASSEMBLY:		VERTICAL CROSS SECTIONS	
NO.	DATE	BY	REVISIONS
1	5/12/20	LFS	UPDATE TO 2018 IBC/IRC CODE AND REVISE IMPACT LITE FRAME
DATE: 04/13/10		SCALE: N.T.S.	
DWG. BY: JK		CHK. BY: LFS	
DRAWING NO.: TX-4070		SHEET 7 OF 11	



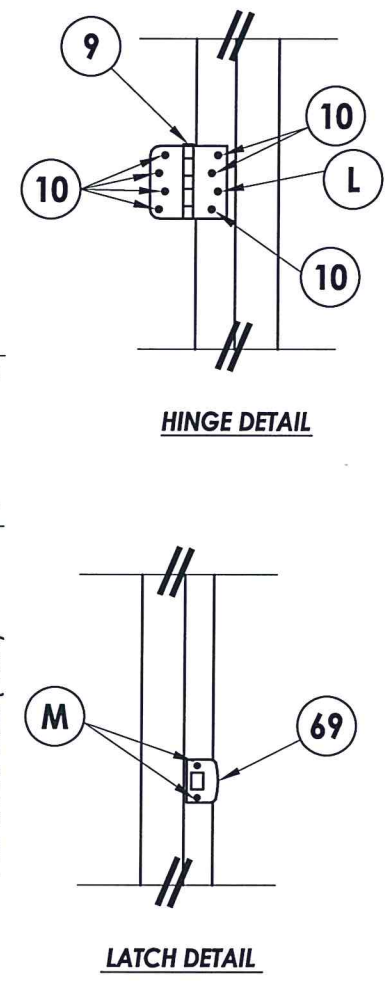
HINGE JAMB
FLOOR SUBSTRATE MATERIAL
CONCRETE (MIN. 3000 PSI)
WOOD (S.G. >= 0.42)

FRAME ANCHORING
X

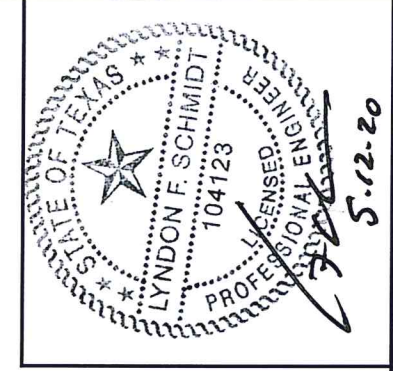


STRIKE JAMB
FLOOR SUBSTRATE MATERIAL
CONCRETE (MIN. 3000 PSI)
WOOD (S.G. >= 0.42)

FRAME ANCHORING
XO / OX



* ADDITIONAL ANCHOR REQ'D
FOR D.P. > 40 PSF
(WOOD SUBSTRATE ONLY)



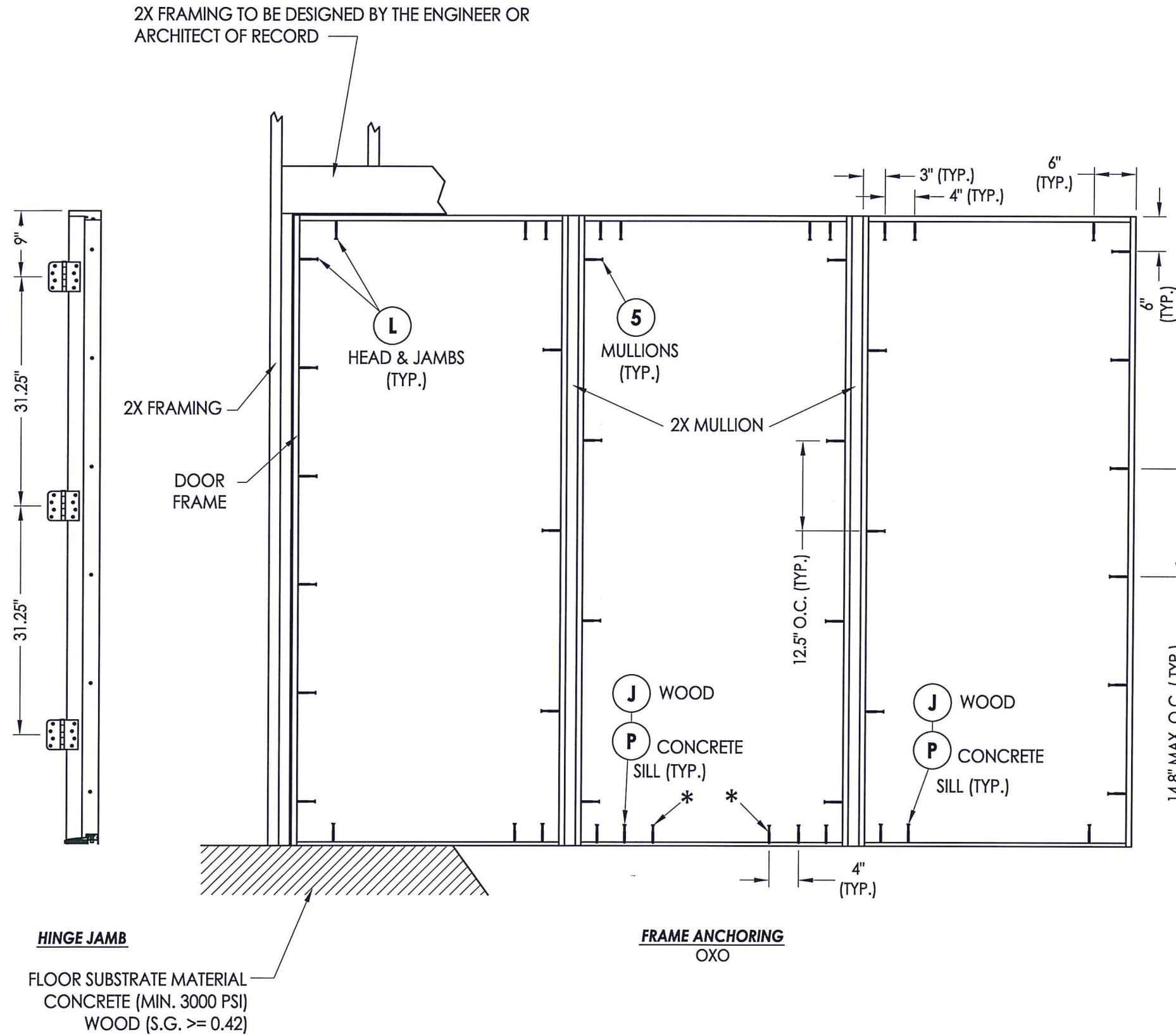
Documents Prepared By: Lyndon F. Schmidt, P.E.
TEXAS P.E. #104123

R.W. BUILDING CONSULTANTS, INC.
P.O. Box 230 Valrico FL 33595
Phone No.: 813.659.9197
TEXAS BOARD OF PROFESSIONAL ENGINEERS
CERTIFICATE OF REGISTRATION # F-11852

PRODUCT: PLASTPRO FIBERGLASS DOOR
PART OR ASSEMBLY: FRAME ANCHORING

NO.	DATE	REVISIONS	BY
1	5/12/20	UPDATE TO 2018 IBC/IRC CODE AND REVISE IMPACT LITE FRAME	LFS

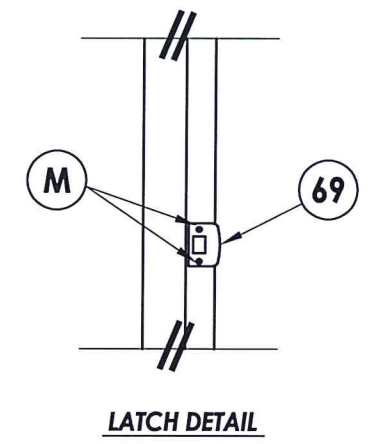
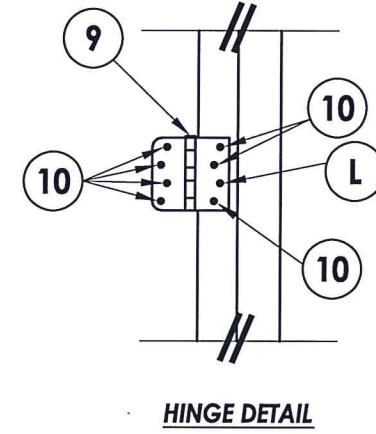
DATE: 04/13/10
SCALE: N.T.S.
DWG. BY: JK
CHK. BY: LFS
DRAWING NO.: TX-4070
SHEET 8 OF 11



HINGE JAMB

FRAME ANCHORING
OXO

STRIKE JAMB



Documents Prepared By: Lyndon F. Schmidt, P.E.
TEXAS P.E. #104123

R.W. BUILDING CONSULTANTS, INC.
P.O. Box 230 Valrico FL 33595
Phone No.: 813.659.9197

TEXAS BOARD OF PROFESSIONAL ENGINEERS
CERTIFICATE OF REGISTRATION # F-11852

PRODUCT: PLASTPRO FIBERGLASS DOOR

PART OR ASSEMBLY: FRAME ANCHORING

NO.	DATE	REVISIONS	BY
1	5/12/20	UPDATE TO 2018 IBC/IRC CODE AND REVISE IMPACT LITE FRAME	LFS

DATE: 04/13/10

SCALE: N.T.S.

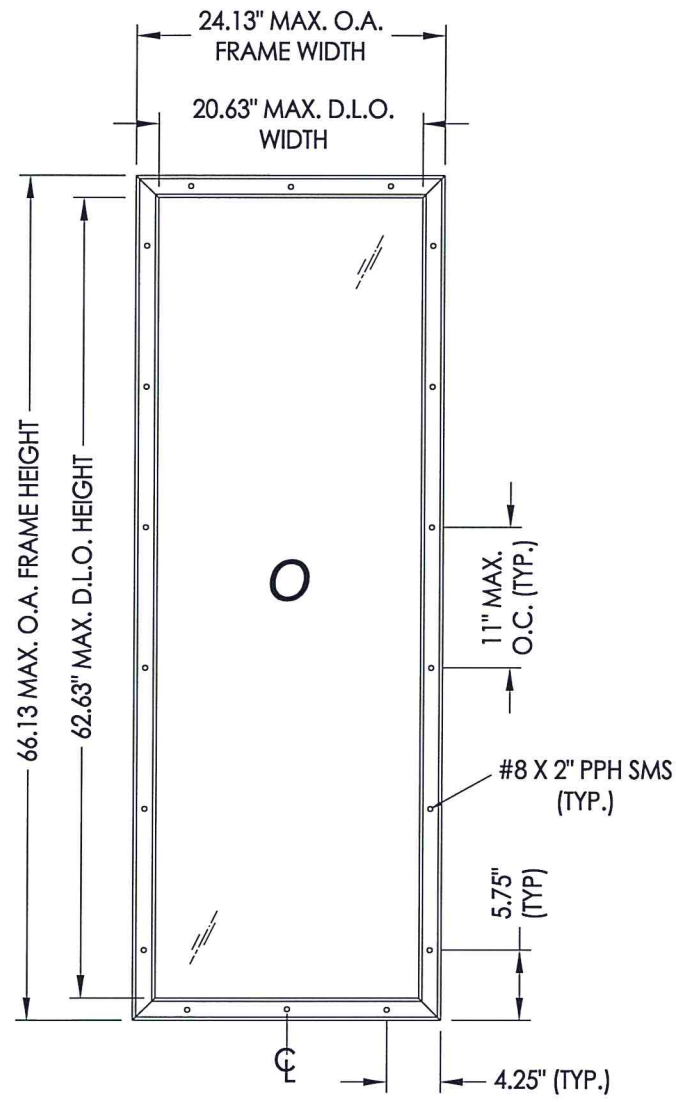
DWG. BY: JK

CHK. BY: LFS

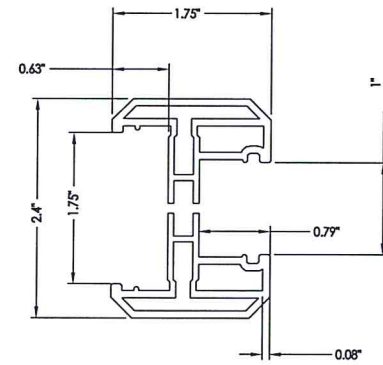
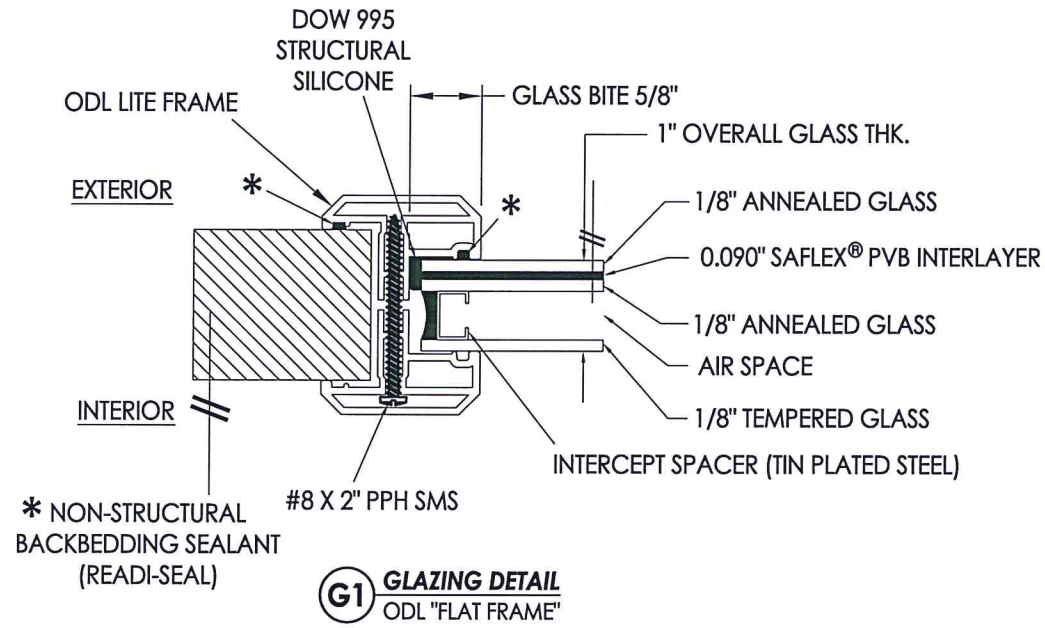
DRAWING NO.: TX-4070

SHEET 9 OF 11

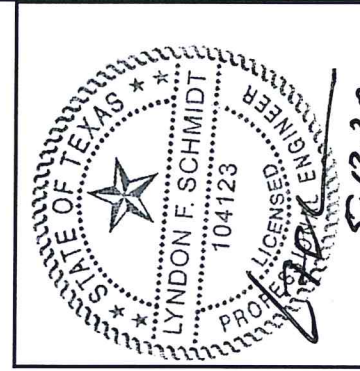
* ADDITIONAL ANCHOR REQ'D FOR D.P. > 40 PSF (WOOD SUBSTRATE ONLY)



ODL LITE FRAME DETAIL
"FLAT FRAME" PROFILE



ODL LITE FRAME
"FLAT FRAME"
(6063-T5 ALUM)



Documents Prepared By: Lyndon F. Schmidt, P.E.
TEXAS P.E. #104123

RW BUILDING CONSULTANTS, INC.
P.O. Box 230 Valrico FL 33595
Phone No.: 813.659.9197

TEXAS BOARD OF PROFESSIONAL ENGINEERS
CERTIFICATE OF REGISTRATION # F-11852

PRODUCT: PLASTPRO FIBERGLASS DOOR

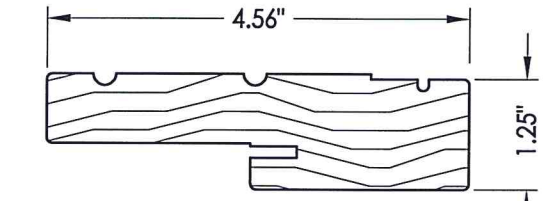
PART OR ASSEMBLY: LITE FRAME & GLAZING DETAILS

NO.	DATE	REVISIONS	BY
1	5/12/20	UPDATE TO 2018 IBC/IRC CODE AND REVISE IMPACT LITE FRAME	LFS

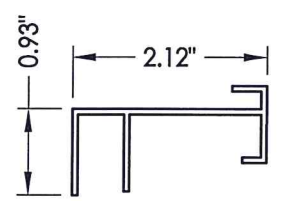
DATE: 04/13/10
SCALE: N.T.S.
DWG. BY: JK
CHK. BY: LFS
DRAWING NO.: TX-4070
SHEET 10 OF 11

R:\Clients\Plastpro, Inc PERMANENT\B - TD\Hinged Doors - Fiberglass\DR - 454 Opaque Fiberglass (Impact)\C - Drawings\TX-4070-71.dwg, 3-11

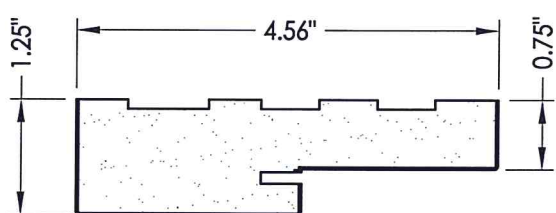
BILL OF MATERIALS		
ITEM	DESCRIPTION	MATERIAL
A	2X HEADER FRAMING SG >= 0.42	WOOD
B	2X FRAMING SG >= 0.42	WOOD
C	1/4" MAX. SHIM SPACE	-
J	#10 X 3" PFH WOOD SCREW	STEEL
P	1/4" PFH ELCO OR ITW CONCRETE SCREW (1-3/4" MIN. EMB.)	STEEL
K	2X REINFORCEMENT (CLEAR PINE SG >= 0.42)	WOOD
L	#10 X 2-1/2" PFH WOOD SCREW (1.15" MIN. EMBEDMENT)	STEEL
M	#8 X 2-1/2" PFH WOOD SCREW	STEEL
5	#10 X 3" PFH SCREW	STEEL
6	SEALANT	SILICONE
7	WEATHERSTRIP BY Q-LON	FOAM
9	4" HINGE	STEEL
10	#9 X 3/4" PFH WOOD SCREW	STEEL
20	JAMB FINGER - JOINT - PINE (SG >= 0.42)	WOOD
21	POLY FIBER JAMB	POLY FIBER
22	#7 X 2" PFH DRYWALL SCREW	STEEL
29	SIDELITE SPACER	PVC
30	DOOR SWEEP	ALUM.
35	TRIM	WOOD
40	DOOR PANEL - SEE DOOR PANEL DETAIL SHEET FOR CONSTRUCTION DETAILS	-
50	SIDELITE PANEL - SEE SIDELITE PANEL DETAIL SHEET FOR CONSTRUCTION DETAILS	-
65	MULTI-POINT LOCK ASSEMBLY TRIENNium BY W & F	-
66	#10 X 1-1/2" PFH SCREW	STEEL
69	MULTI-POINT STRIKE PLATE	STEEL
70	INSWING THRESHOLD BY DLP	ALUM. / WOOD
71	ADA THRESHOLD BY DLP	ALUM.
72	OUTSWING THRESHOLD BY DLP	ALUM. / WOOD
73	SIDELITE THRESHOLD BY DLP	ALUM. / WOOD



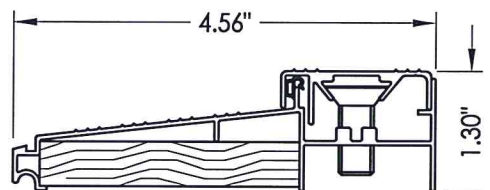
20 HEAD & SIDE Jamb



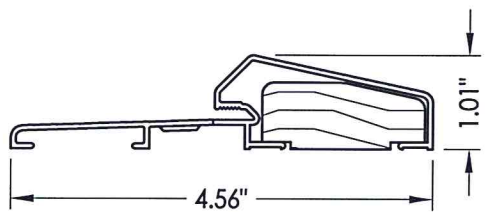
29 SIDELITE SPACER



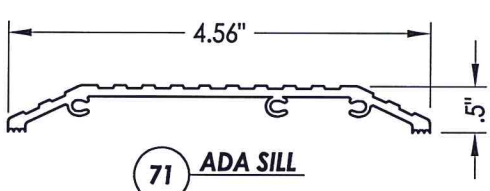
21 HEAD & SIDE Poly fiber jamb



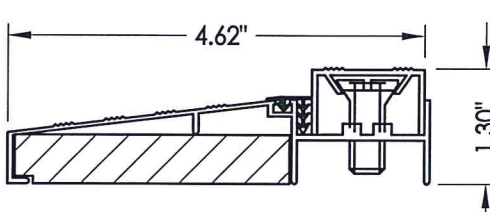
70 INSWING THRESHOLD



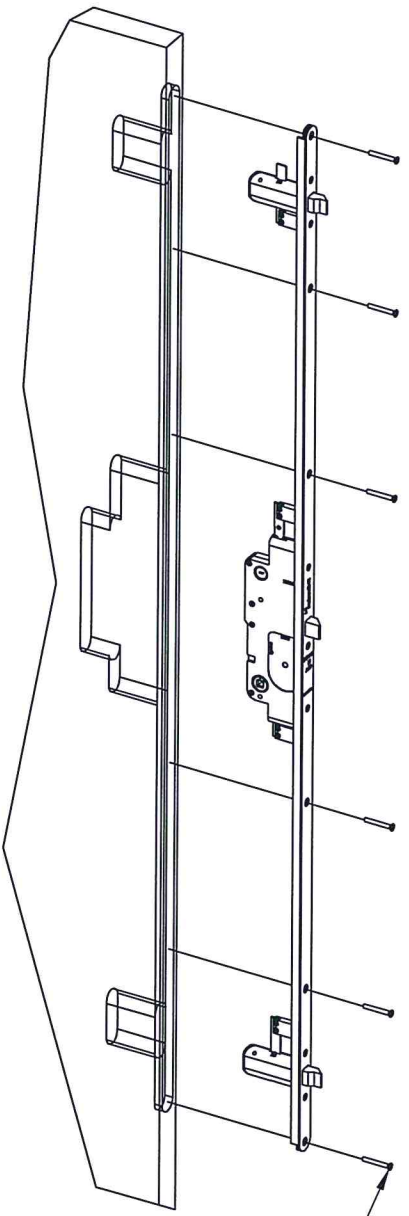
72 OUTSWING THRESHOLD



71 ADA SILL



73 SIDELITE THRESHOLD



66 MULTI-POINT LOCK Triennium by Endura



Documents Prepared By: Lyndon F. Schmidt, P.E.
TEXAS P.E. #104123

RW BUILDING CONSULTANTS, INC.
P.O. Box 230 Vairico FL 33595
Phone No.: 813.659.9197

TEXAS BOARD OF PROFESSIONAL ENGINEERS
CERTIFICATE OF REGISTRATION # F-11852

CONCRETE ANCHOR NOTES:

1. Substitution of equal concrete anchors from a different supplier may have different edge distance and center distance requirements.
2. Concrete anchor locations at the corners may be adjusted to maintain the min. edge distance to mortar joints. If concrete anchor locations noted as "MAX. ON CENTER" must be adjusted to maintain the min. edge distance to mortar joints, additional concrete anchors may be required to ensure the "MAX. ON CENTER" dimensions are not exceeded.
3. Concrete anchor table:

ANCHOR TYPE	ANCHOR SIZE	MIN. EMBEDMENT	MIN. CLEARANCE TO MASONRY EDGE	MIN. CLEARANCE TO ADJACENT ANCHOR
ITW	1/4"	1-3/4"	2-1/2"	3"
ELCO	1/4"	1-3/4"	1"	4"

PRODUCT:	PLASTPRO FIBERGLASS DOOR
PART OR ASSEMBLY:	COMPONENTS, MULTI-POINT LOCK DETAILS & B.O.M.
DATE:	04/13/10
SCALE:	N.T.S.
DWG. BY:	JK
CHK. BY:	LFS
DRAWING NO.:	TX-4070
SHEET	11 OF 11