

plastpro

5200 W. CENTURY BLVD.
LOS ANGELES, CA 90045

OPAQUE FIBERGLASS DOUBLE DOOR w/ or w/out SIDELITES INSWING / OUTSWING "NON-IMPACT"

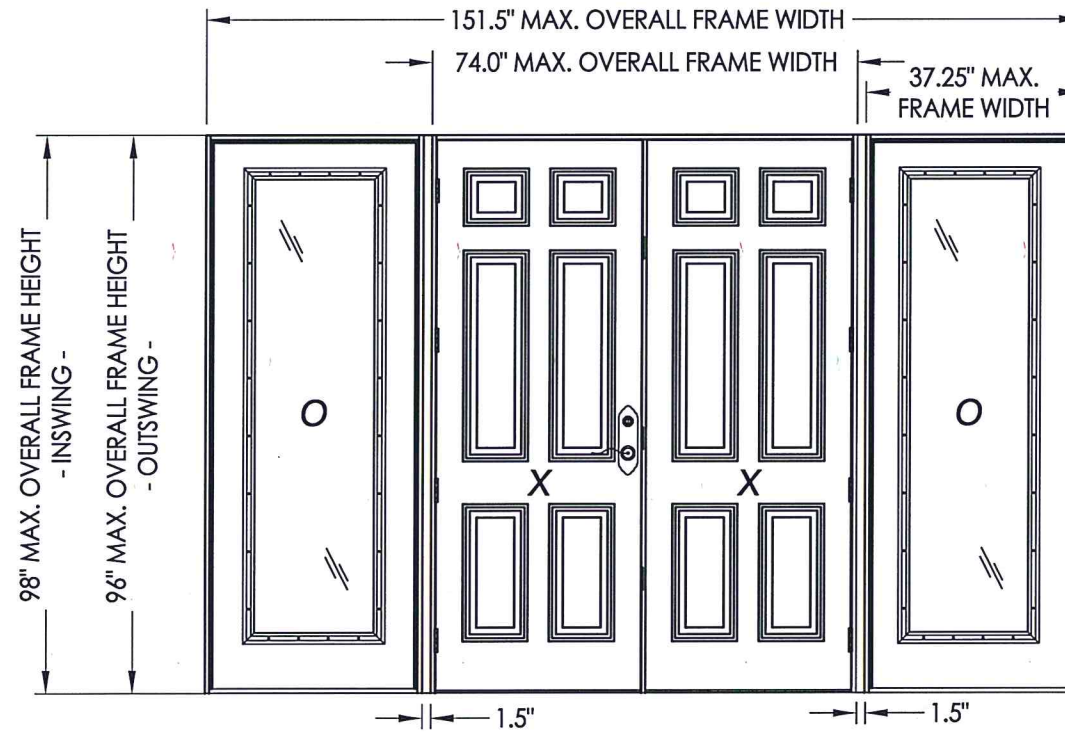
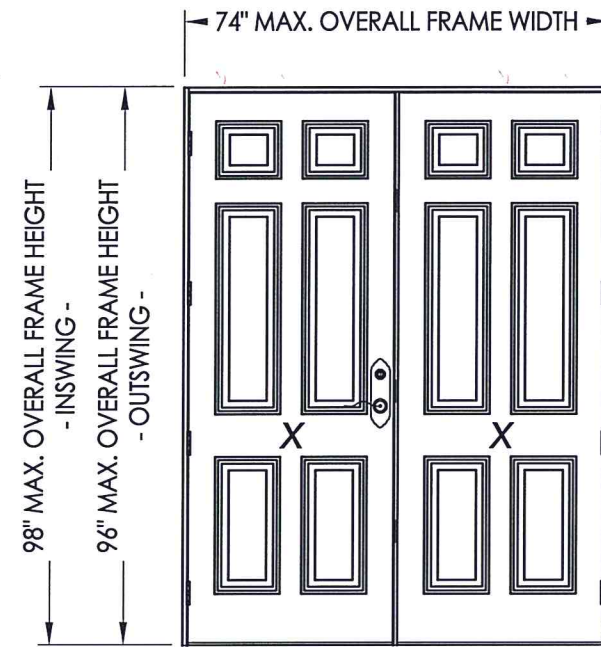
EVALUATED FOR USE IN THE STATE OF TEXAS

The Fiberglass Door system described herein complies with the 2018 International Residential Code (IRC), Sections R301 & R609 and the 2018 International Building Code (IBC), Sections 1404.13, 1609, 1709.5, 2403 and 2404 subject to the following conditions:

1. Anchors shall be as listed and spaced as shown in the details. Anchor embedment to base material shall be beyond wall dressing or stucco.
2. When used in areas requiring wind-borne debris protection this product is required to be protected with an impact resistant covering that complies with Section R301.2.1.2 of the IRC and Section 1609.1.2 of the IBC.
3. Allowable design pressure requirements must be equal to or less than the design pressure rating shown in the design pressure chart, sheet 1 of this drawing.
4. Conditions not covered by this drawing are subject to further engineering analysis.

TABLE OF CONTENTS

SHEET#	DESCRIPTION
1	Typical elevations, design pressures & general notes
2	Door panel & glazing details
3	Sidelite panel & glazing details
4	Elevations
5	Horizontal cross sections
6	Vertical cross sections
7	Vertical cross sections
8	Frame anchoring
9	Frame anchoring
10	Astragal & multi-point lock details
11	Bill of materials and components



CONFIGURATION	MAX. FRAME DIMENSION	MAX. D.L.O. DIMENSION	GLASS TYPE	DESIGN PRESSURE (PSF) INSWING		DESIGN PRESSURE (PSF) OUTSWING	
				POSITIVE	NEGATIVE	POSITIVE	NEGATIVE
XX	74.0" x 98.0"	21.0" x 79.0"	G1	+55.0	-60.0	+55.0	-55.0
OXXO	151.50" x 98.0"	21.0" x 79.0"		+45.0	-45.0	+45.0	-45.0



Documents Prepared By: Lyndon F. Schmidt, P.E.
TEXAS P.E. #104123

RW BUILDING CONSULTANTS, INC.
P.O. Box 230 Valrico FL 33595
Phone No.: 813.659.9197

TEXAS BOARD OF PROFESSIONAL ENGINEERS
CERTIFICATE OF REGISTRATION # F-11852

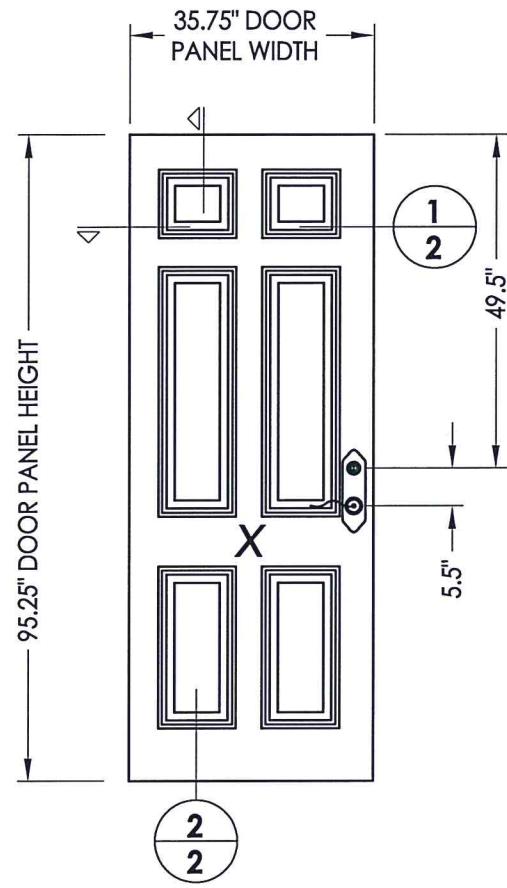
PRODUCT: PLASTPRO FIBERGLASS DOOR

PART OR ASSEMBLY: TYPICAL ELEVATIONS, DESIGN PRESSURES & GENERAL NOTES

NO.	DATE	REVISIONS
1	5/28/20	UPDATE TO 2018 IBC/IRC CODE

DATE: 04/12/10
SCALE: N.T.S.
DWG. BY: JK
CHK. BY: LFS
DRAWING NO.: TX-4067
SHEET 1 OF 11

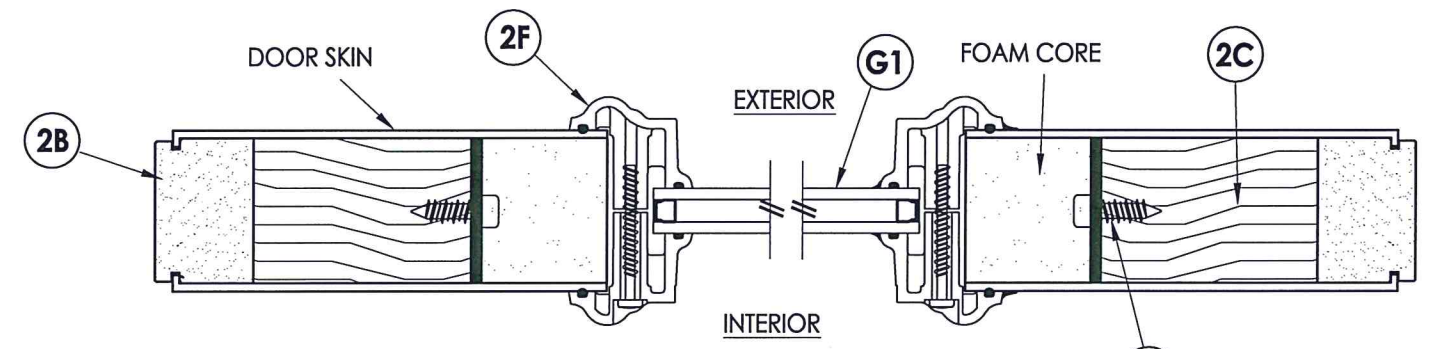
R:\Clients\Plastpro, Inc PERMANENT\B - TD\Hinged Doors - Fiberglass\DR - 446 Opaque Fiberglass Doors (Non-Impact)\C - Drawings\TX-4066.4067.dwg, 2-2



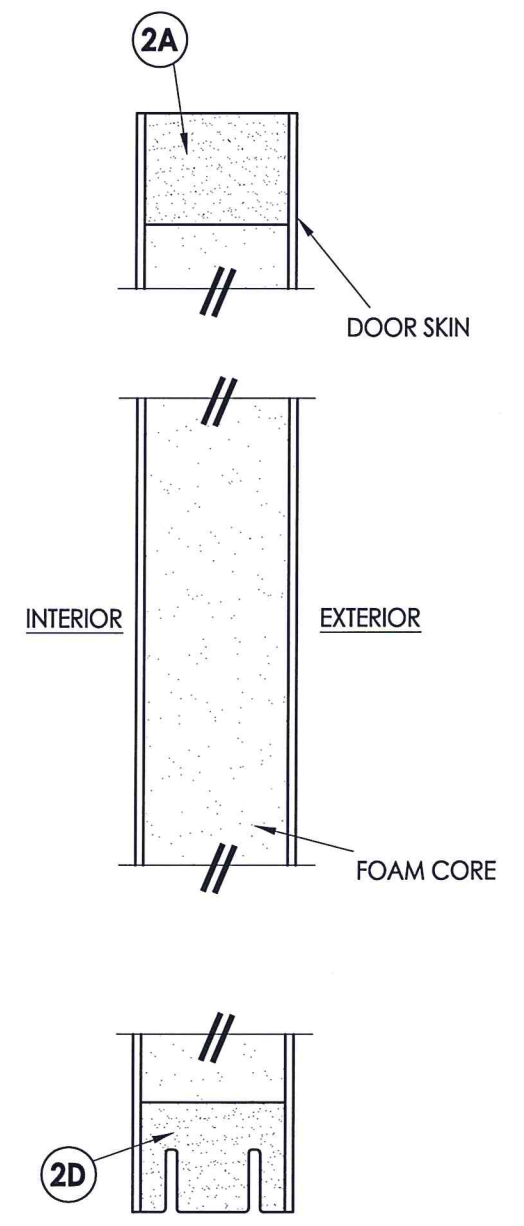
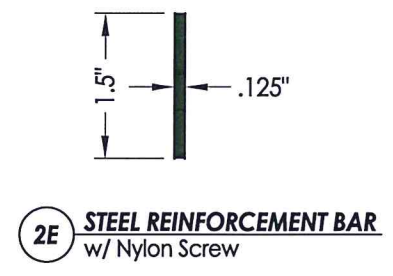
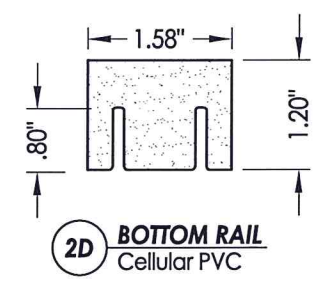
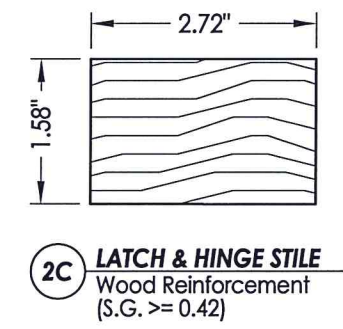
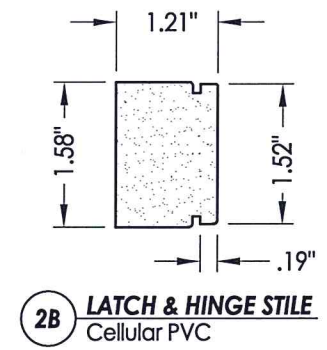
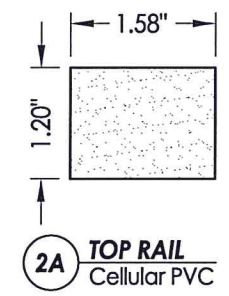
40 DOOR PANEL

FIBERGLASS DOOR SKIN: MIN. 0.075\" THK. (Fy = 11063 PSI MIN.)
 CORE MATERIAL: POLYURETHANE FOAM (BASF, MIN. 1.9 PCF DENSITY)

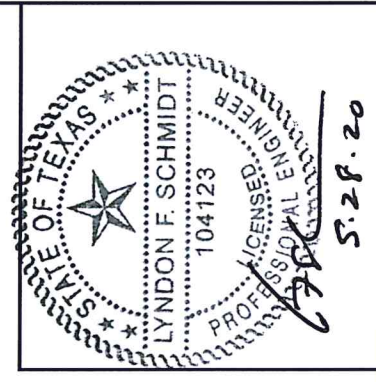
NOTE:
 1. Spacing for lite frame screws is as follows:
 Sides: 6.5\" from corners and 10\" o.c. thereafter
 Top & Bottom: 3.5\" from corners and 6\" o.c. thereafter



1 2 HORIZONTAL CROSS SECTION

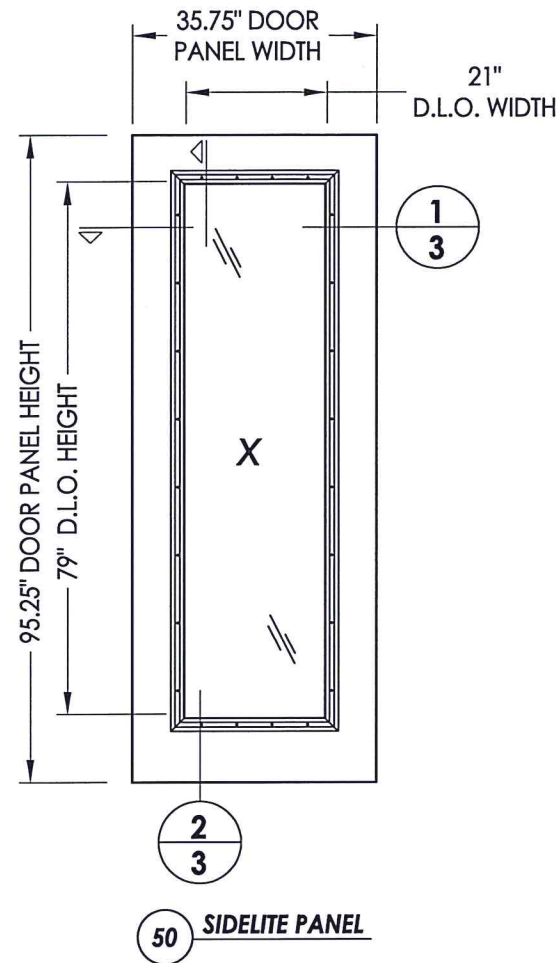


2 2 VERTICAL CROSS SECTION



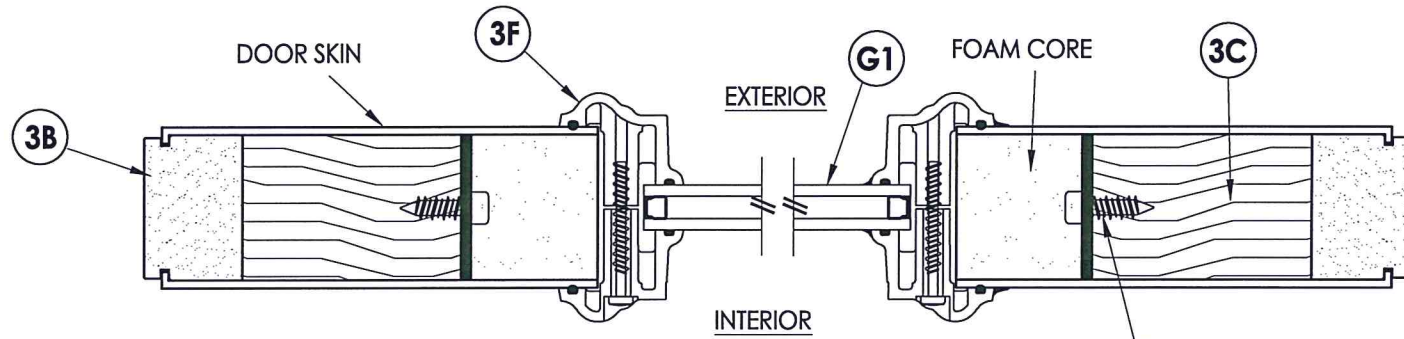
Documents Prepared By: Lyndon F. Schmidt, P.E.
 TEXAS P.E. #104123
RW BUILDING CONSULTANTS, INC.
 P.O. Box 230 Valrico FL 33595
 Phone No.: 813.659.9197
 TEXAS BOARD OF PROFESSIONAL ENGINEERS
 CERTIFICATE OF REGISTRATION # F-11852

PRODUCT: PLASTPRO FIBERGLASS DOOR	
PART OR ASSEMBLY: DOOR PANEL & GLAZING DETAILS	
NO.	DATE
1	5/28/20
UPDATE TO 2018 IBC/IRC CODE	
LFS	BY
REVISIONS	
DATE: 04/12/10	
SCALE: N.T.S.	
DWG. BY: JK	
CHK. BY: LFS	
DRAWING NO.: TX-4067	
SHEET 2 OF 11	

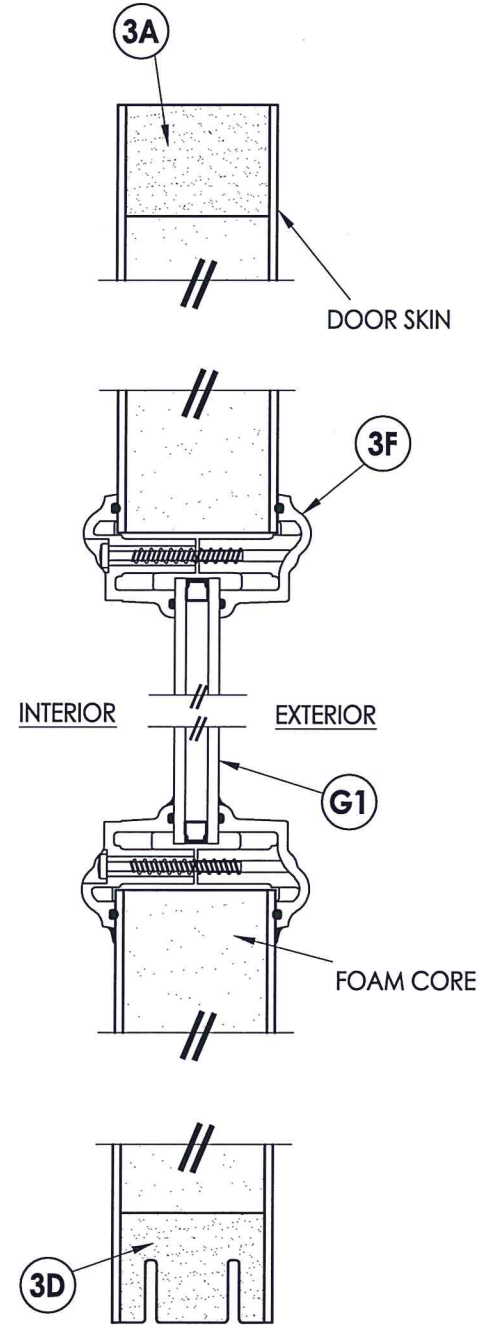
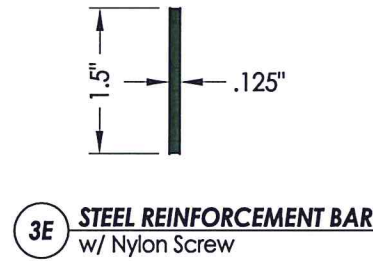
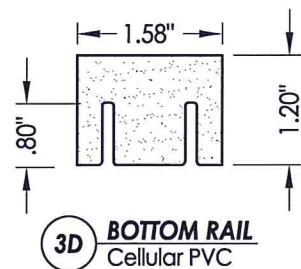
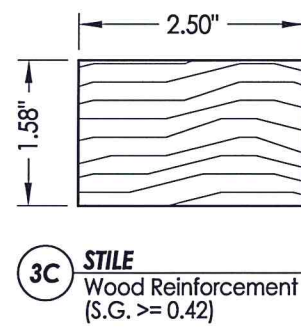
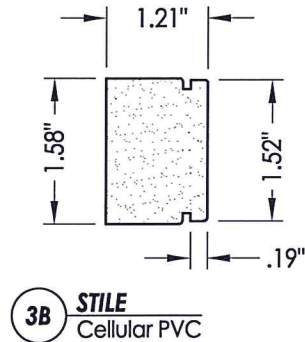
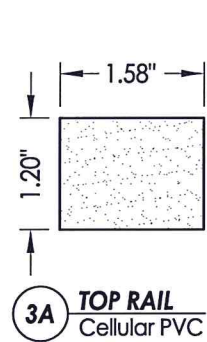
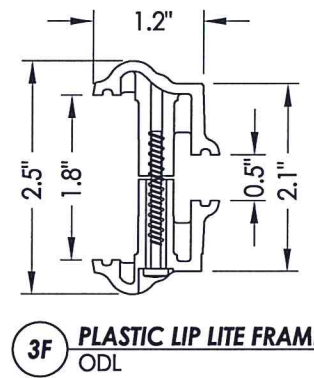
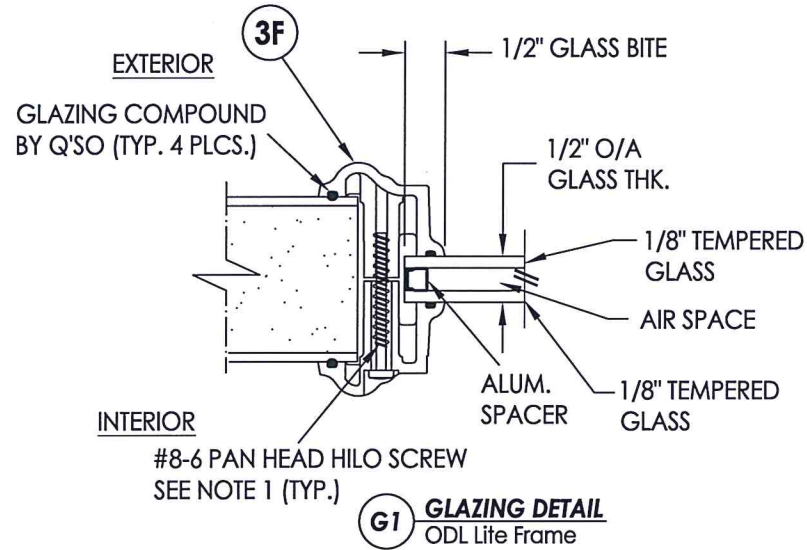


FIBERGLASS DOOR SKIN: MIN. 0.075" THK. (Fy = 11063 PSI MIN.)
 CORE MATERIAL: POLYURETHANE FOAM (BASF, MIN. 1.9 PCF DENSITY)

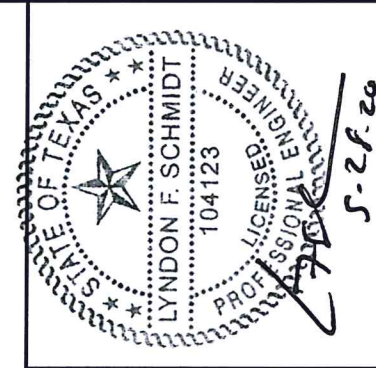
NOTE:
 1. Spacing for lite frame screws is as follows:
 Sides: 6.5" from corners and 10" o.c. thereafter
 Top & Bottom: 3.5" from corners and 6" o.c. thereafter



1 HORIZONTAL CROSS SECTION



2 VERTICAL CROSS SECTION



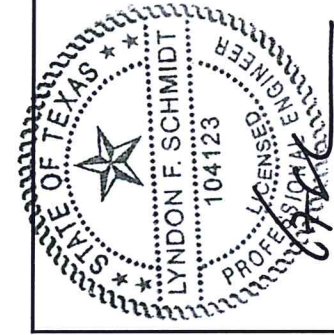
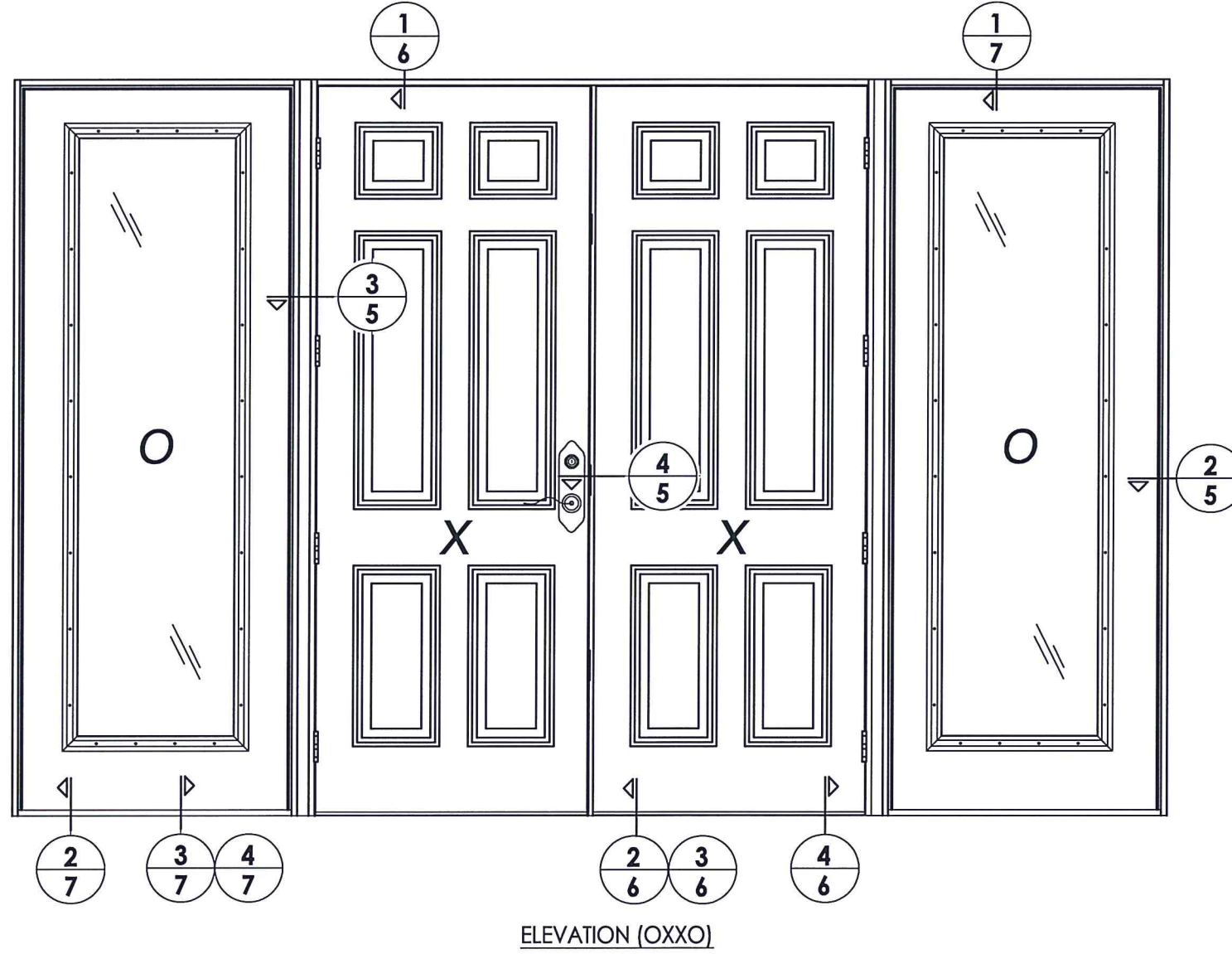
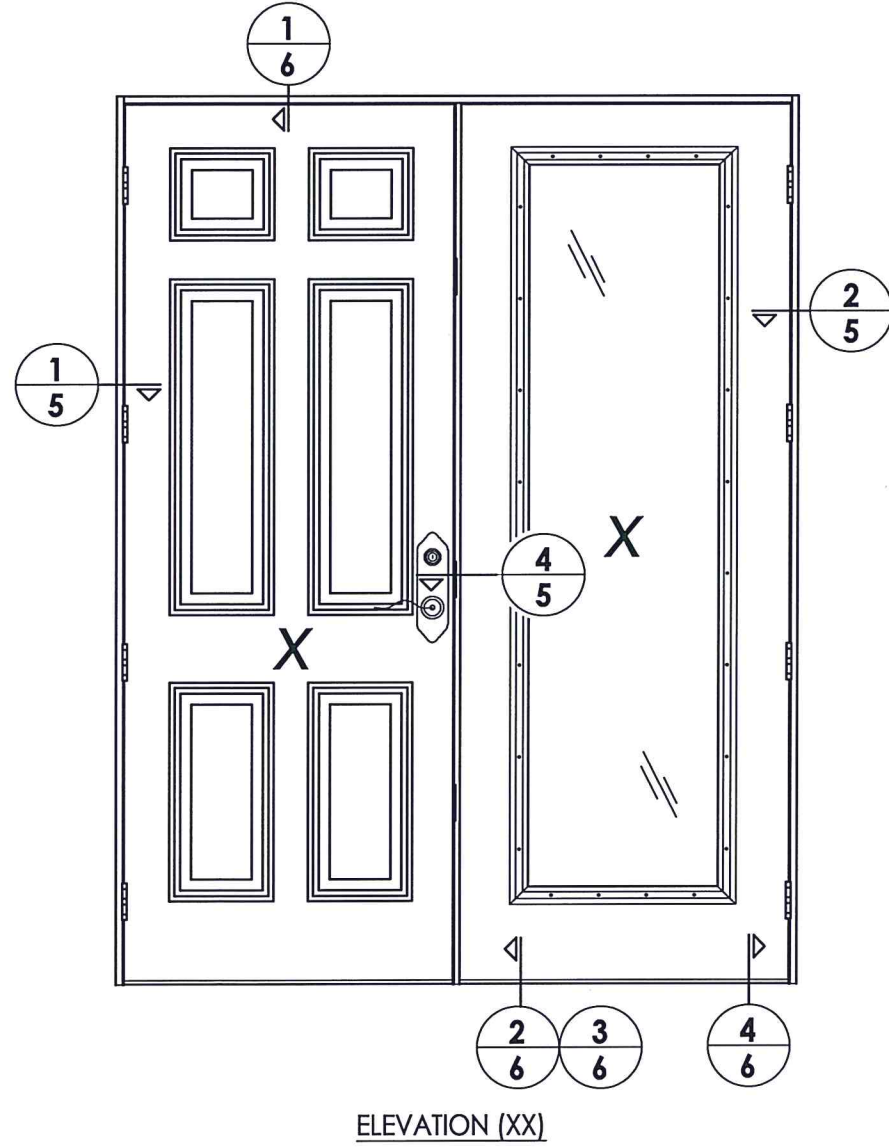
Documents Prepared By: Lyndon F. Schmidt, P.E.
 TEXAS P.E. #104123

RW BUILDING CONSULTANTS, INC.
 P.O. Box 230 Valrico FL 33595
 Phone No.: 813.659.9197
 TEXAS BOARD OF PROFESSIONAL ENGINEERS
 CERTIFICATE OF REGISTRATION # F-11852

PRODUCT: PLASTPRO FIBERGLASS DOOR
 PART OR ASSEMBLY: SIDELITE PANEL & GLAZING DETAILS

NO.	DATE	DESCRIPTION	BY
1	5/28/20	UPDATE TO 2018 IBC/IRC CODE	LFS

DATE: 04/12/10
 SCALE: N.T.S.
 DWG. BY: JK
 CHK. BY: LFS
 DRAWING NO.: TX-4067
 SHEET 3 OF 11



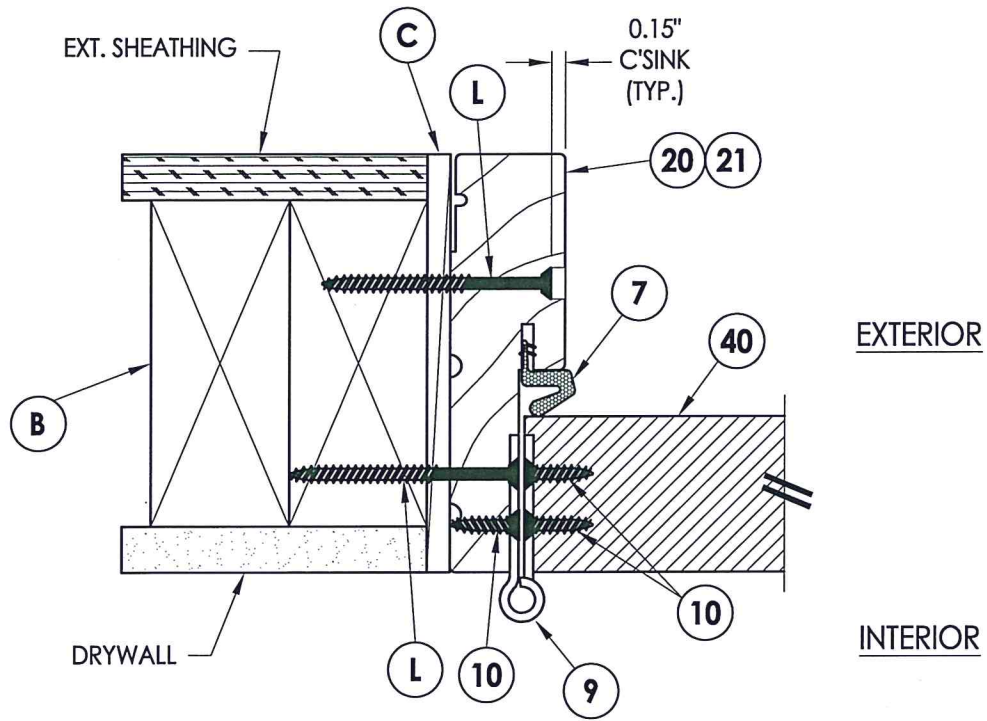
Documents Prepared By: Lyndon F. Schmidt, P.E.
TEXAS P.E. #104123

RW BUILDING CONSULTANTS, INC.
P.O. Box 230 Valrico FL, 33595
Phone No.: 813.659.9197
TEXAS BOARD OF PROFESSIONAL ENGINEERS
CERTIFICATE OF REGISTRATION # F-11852

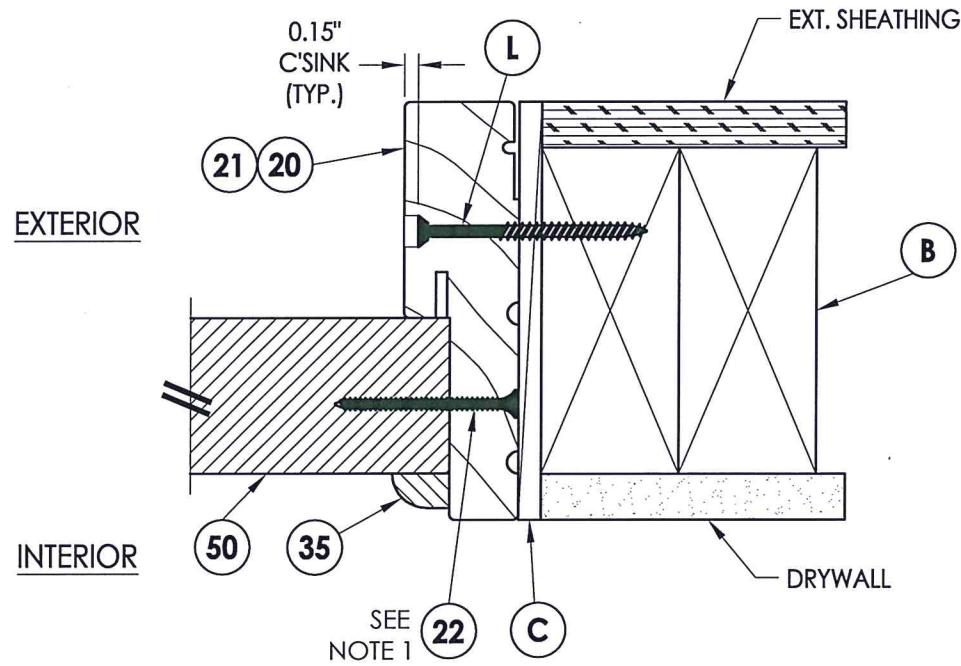
PRODUCT: PLASTPRO FIBERGLASS DOOR
PART OR ASSEMBLY: ELEVATIONS

NO.	DATE	DESCRIPTION	BY
1	5/28/20	UPDATE TO 2018 IBC/IRC CODE	LFS

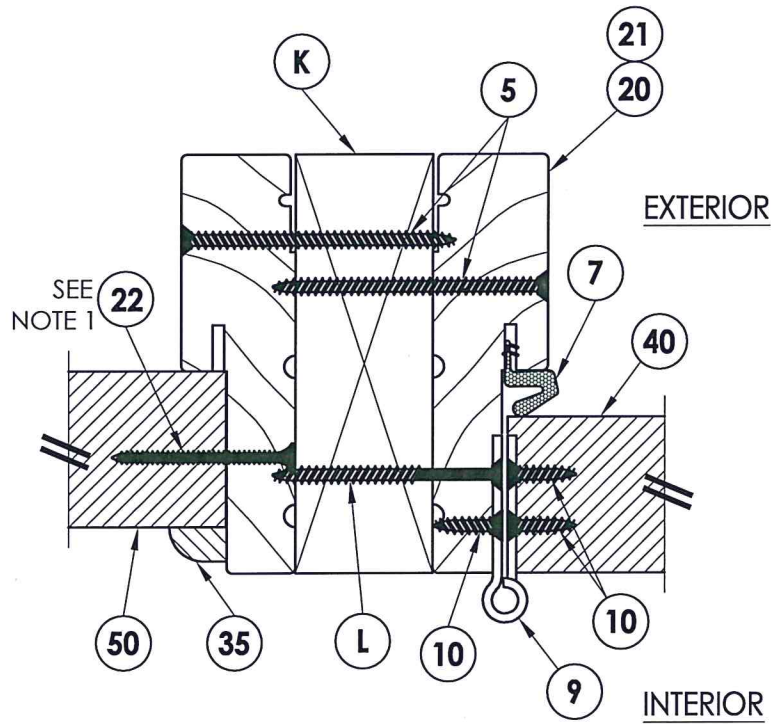
DATE: 04/12/10
SCALE: N.T.S.
DWG. BY: JK
CHK. BY: LFS
DRAWING NO.: TX-4067
SHEET 4 OF 11



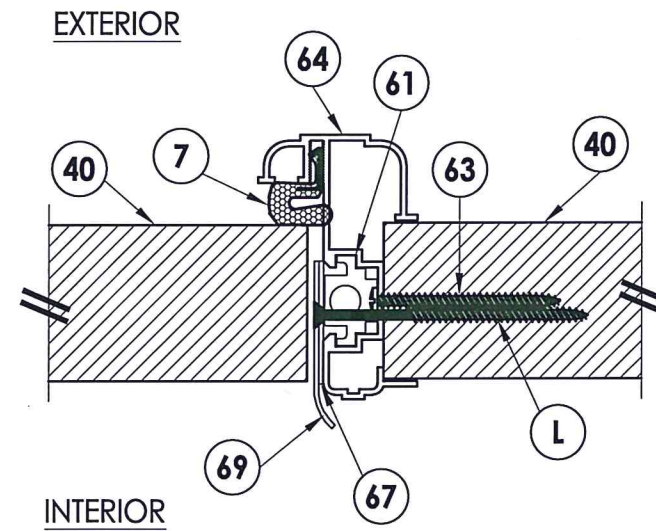
1 HORIZONTAL CROSS SECTION
5 Inswing shown - outswing also approved



2 HORIZONTAL CROSS SECTION
5 Inswing shown - outswing also approved



3 HORIZONTAL CROSS SECTION
5 Inswing shown - outswing also approved

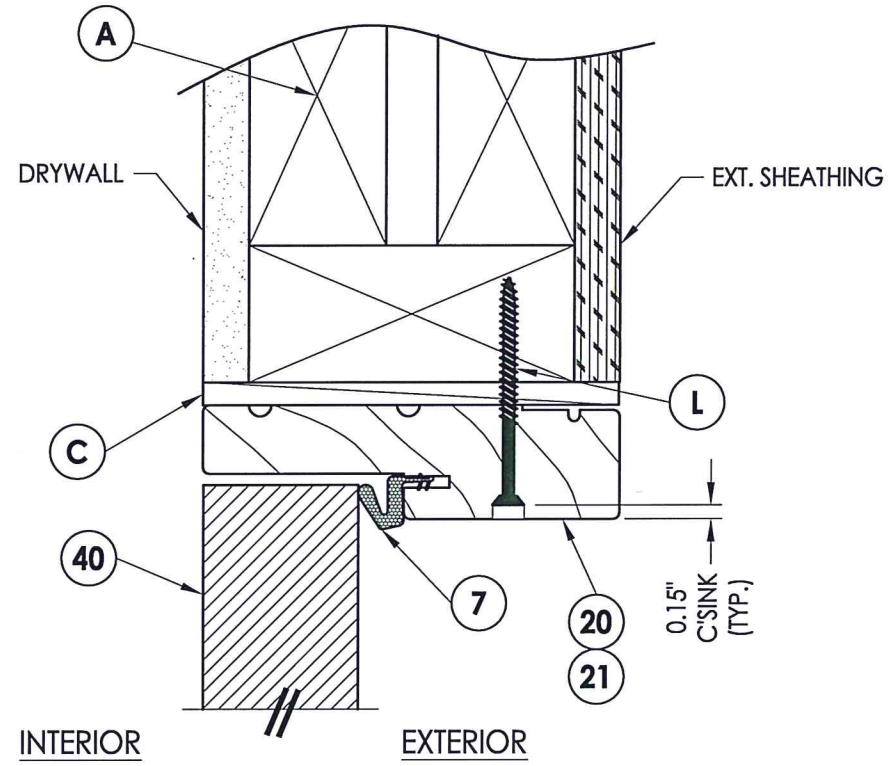


4 HORIZONTAL CROSS SECTION
5 Inswing shown - outswing also approved

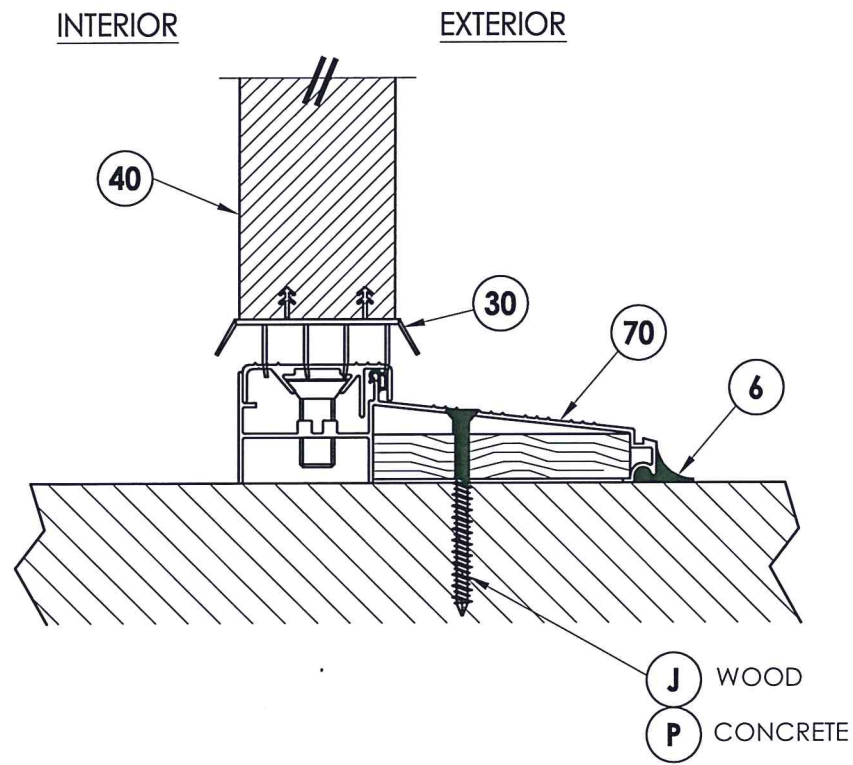


NOTE:
 1. Sidelite screws (item #22) located at 3", 5.5", 8", 18", 28", 39", 50", 61", 72", 82" and 92" from bottom of panel.

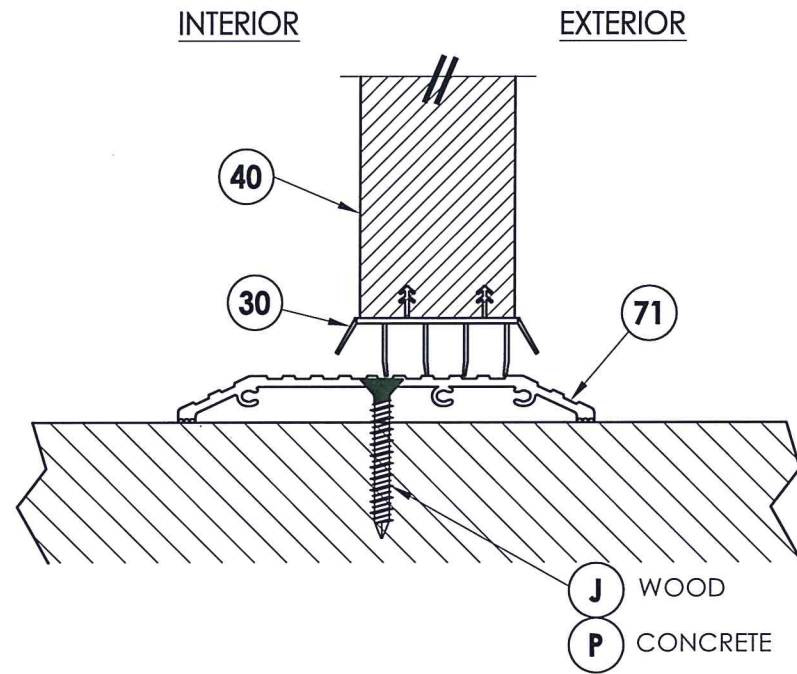
Documents Prepared By: Lyndon F. Schmidt, P.E. TEXAS P.E. #104123		 R.W. BUILDING CONSULTANTS, INC. P.O. Box 230 Valrico FL, 33595 Phone No.: 813.659.9197	
PRODUCT: PLASTPRO FIBERGLASS DOOR		PART OR ASSEMBLY: HORIZONTAL CROSS SECTIONS	
NO.	DATE	UPDATE TO 2018 IBC/IRC CODE	REVISIONS
1	5/28/20	LFS	BY
DATE: 04/12/10		SCALE: N.T.S.	
DWG. BY: JK		CHK. BY: LFS	
DRAWING NO.: TX-4067		SHEET 5 OF 11	



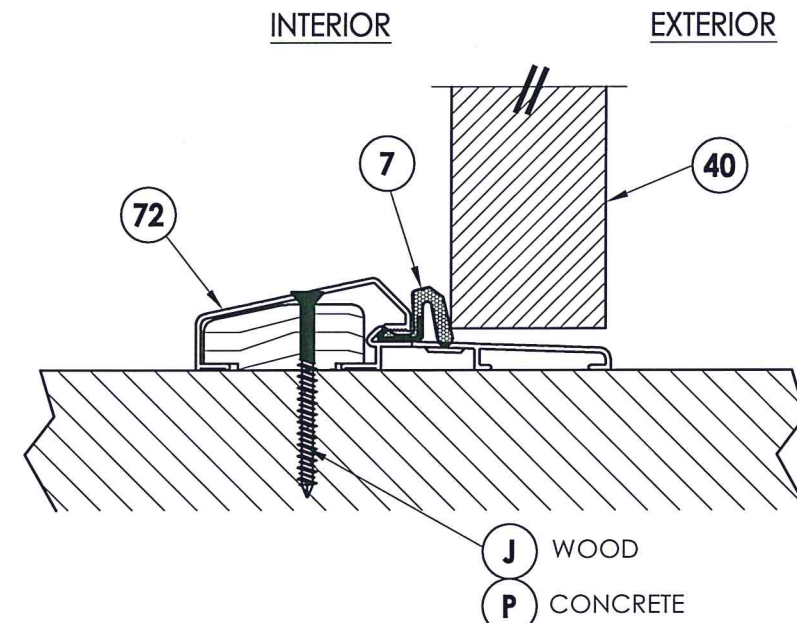
1 VERTICAL CROSS SECTION
6 Inswing shown - outswing also approved



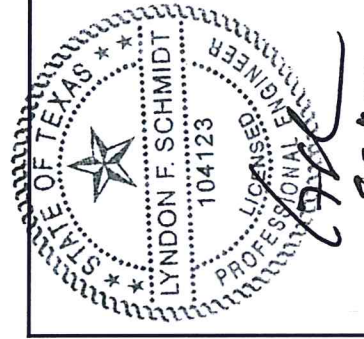
2 VERTICAL CROSS SECTION
6 Inswing configuration



3 VERTICAL CROSS SECTION
6 Shown w/ ADA threshold



4 VERTICAL CROSS SECTION
6 Outswing configuration



Documents Prepared By: Lyndon F. Schmidt, P.E.
 TEXAS P.E. #104123

RW BUILDING CONSULTANTS, INC.
 P.O. Box 230 Valrico FL 33595
 Phone No.: 813.659.9197
 TEXAS BOARD OF PROFESSIONAL ENGINEERS
 CERTIFICATE OF REGISTRATION # F-11852

PRODUCT: PLASTPRO FIBERGLASS DOOR
 PART OR ASSEMBLY: VERTICAL CROSS SECTIONS

NO.	DATE	DESCRIPTION	LFS	BY
1	5/28/20	UPDATE TO 2018 IBC/IRC CODE		

DATE: 04/12/10
 SCALE: N.T.S.
 DWG. BY: JK
 CHK. BY: LFS
 DRAWING NO.: TX-4067

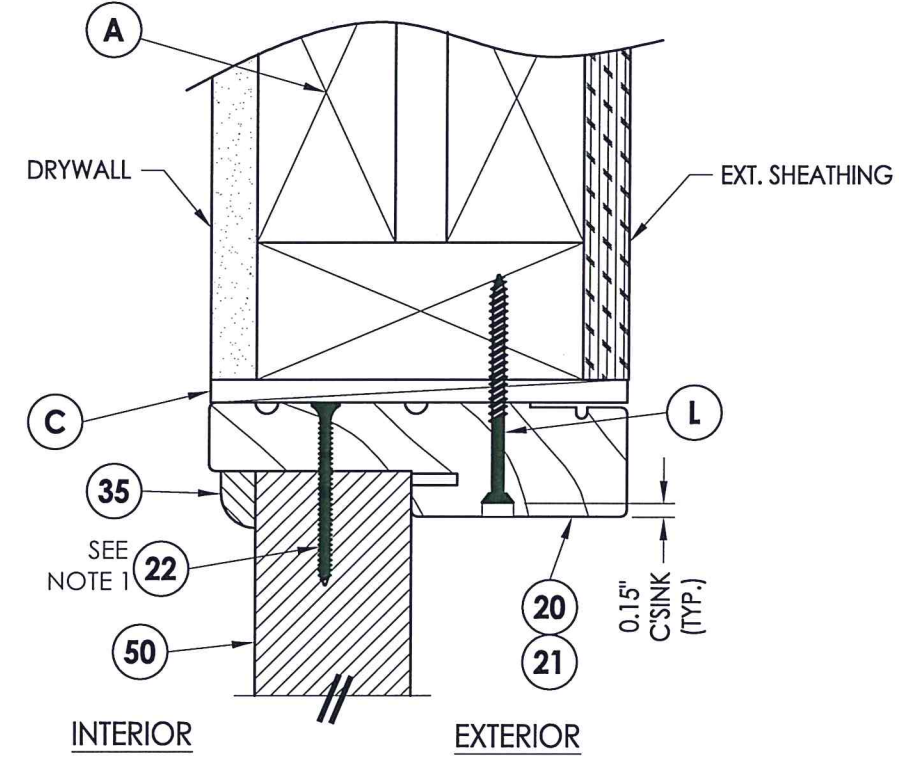
SHEET 6 OF 11



Documents Prepared By: Lyndon F. Schmidt, P.E.
TEXAS P.E. #104123

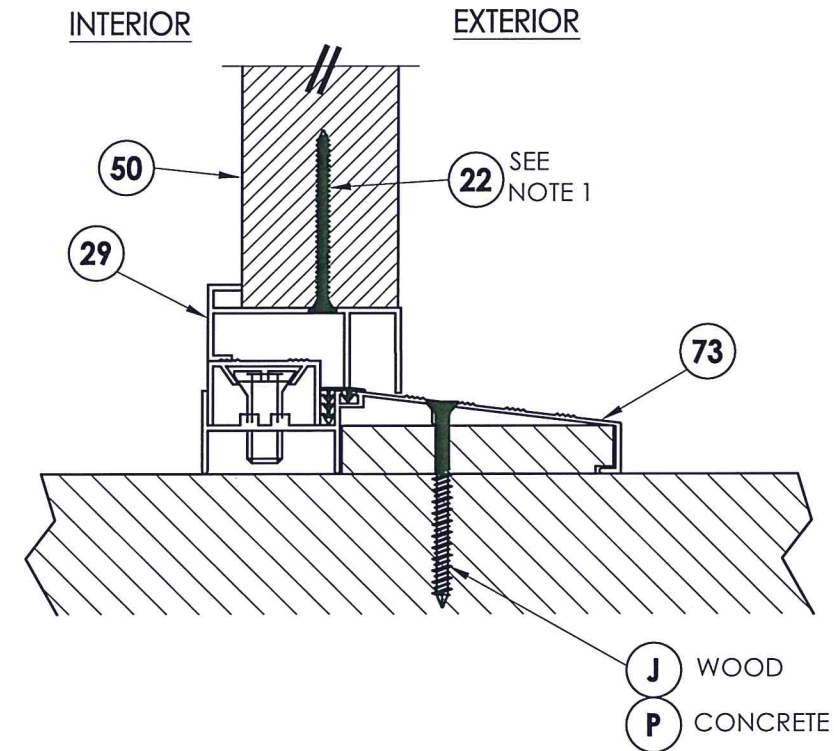
RW BUILDING CONSULTANTS, INC.
P.O. Box 230 Valrico FL, 33595
Phone No.: 813.659.9197

TEXAS BOARD OF PROFESSIONAL ENGINEERS
CERTIFICATE OF REGISTRATION # F-11852

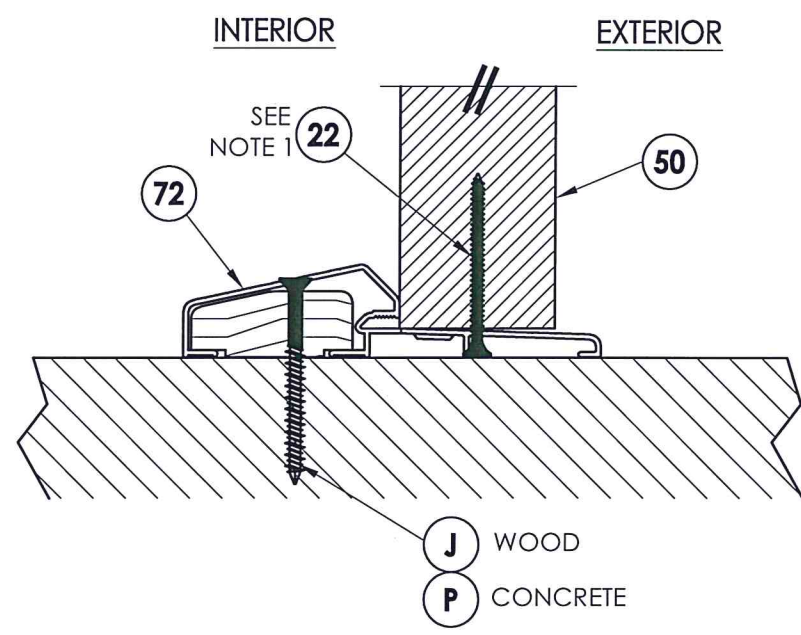


NOTE:
1. Screws thru head and sill jamb located 3" from each end and on center line.

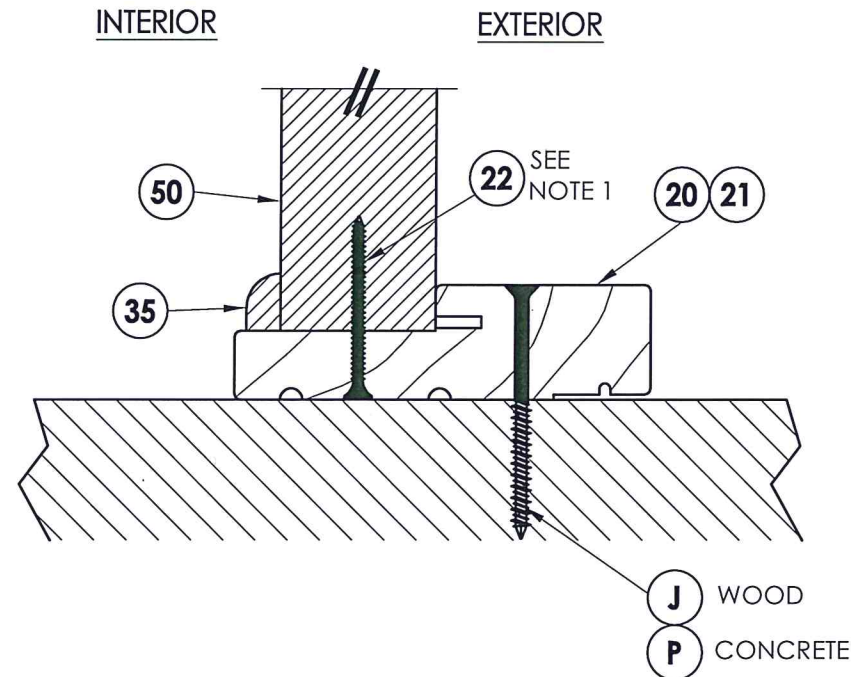
1 VERTICAL CROSS SECTION
7 Inswing shown - outswing also approved



2 VERTICAL CROSS SECTION
7 Inswing configuration



3 VERTICAL CROSS SECTION
7 Outswing configuration

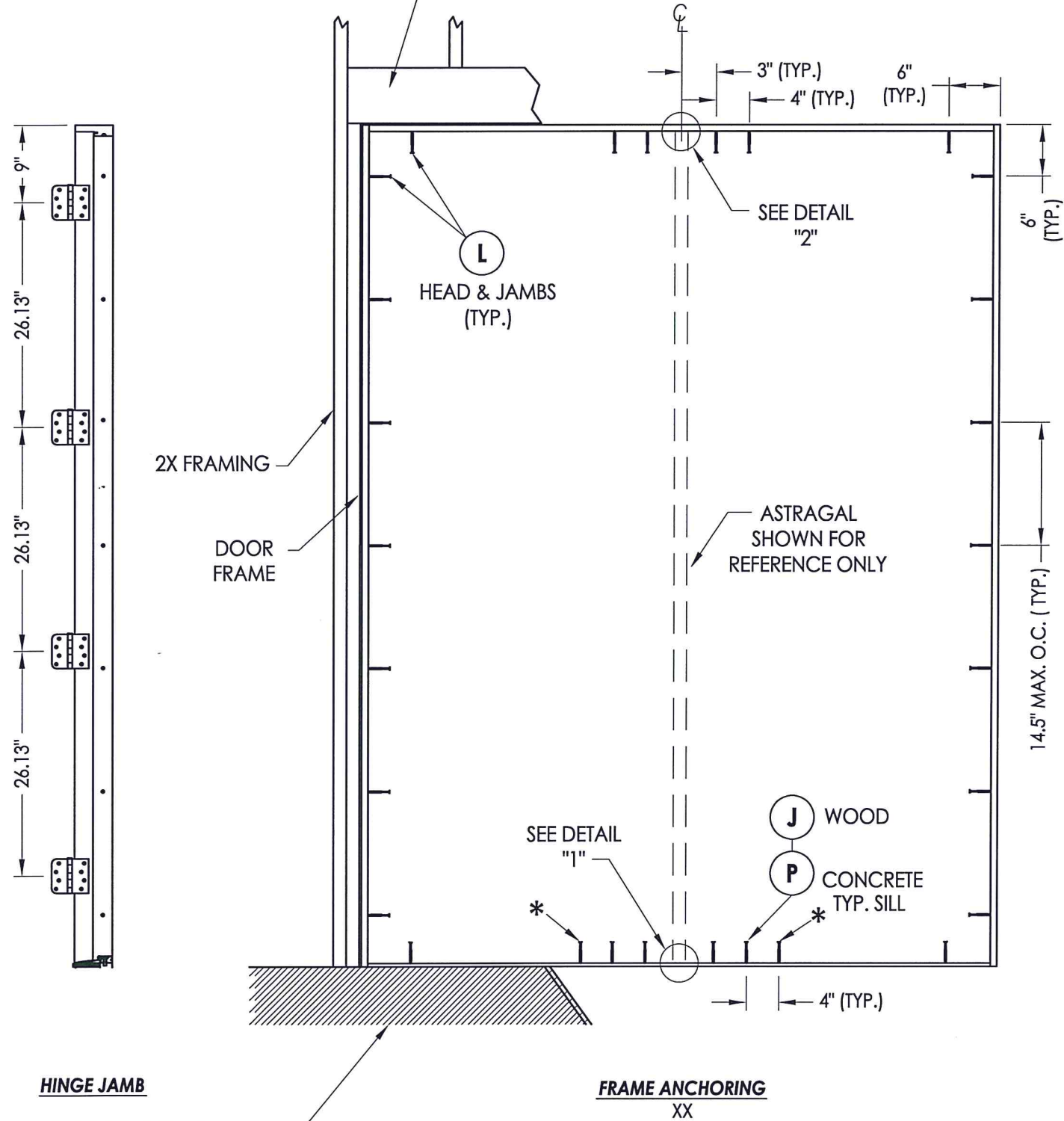


4 VERTICAL CROSS SECTION
7 Outswing configuration

PRODUCT: PLASTPRO FIBERGLASS DOOR	
PART OR ASSEMBLY: VERTICAL CROSS SECTIONS	
NO.	REVISIONS
1	5/28/20 UPDATE TO 2018 IBC/IRC CODE
	LFS
	BY
DATE: 04/12/10	
SCALE: N.T.S.	
DWG. BY: JK	
CHK. BY: LFS	
DRAWING NO.: TX-4067	
SHEET 7 of 11	

R:\Clients\Plastpro, Inc PERMANENT\B - TD\Hinged Doors - Fiberglass\DR - 446 Opaque Fiberglass Doors (Non-Impact)\C - Drawings\TX-4066.4067.dwg, 2-8

2X FRAMING TO BE DESIGNED BY THE ENGINEER OR ARCHITECT OF RECORD

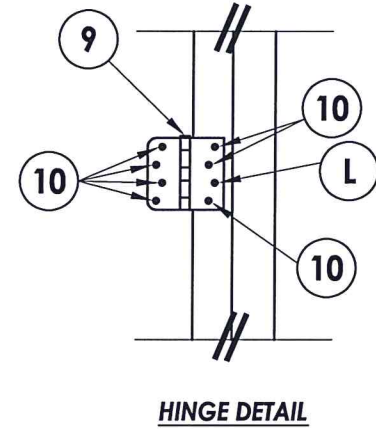
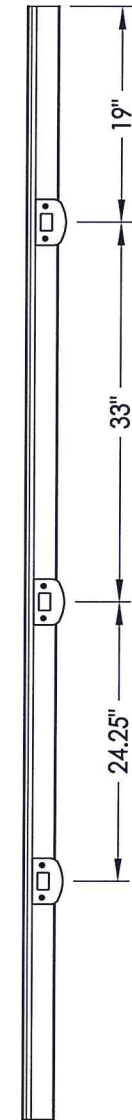


HINGE JAMB

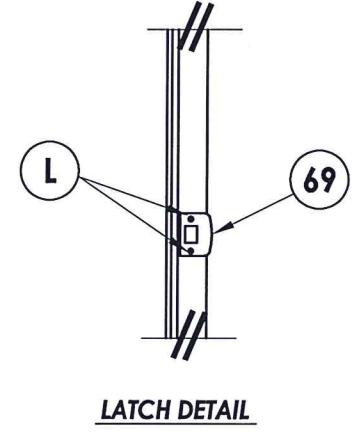
FLOOR SUBSTRATE MATERIAL
CONCRETE (MIN. 3000 PSI)
WOOD (S.G. >= 0.42)

* ADDITIONAL ANCHOR REQ'D
FOR D.P. > 40 PSF
(WOOD SUBSTRATE ONLY)

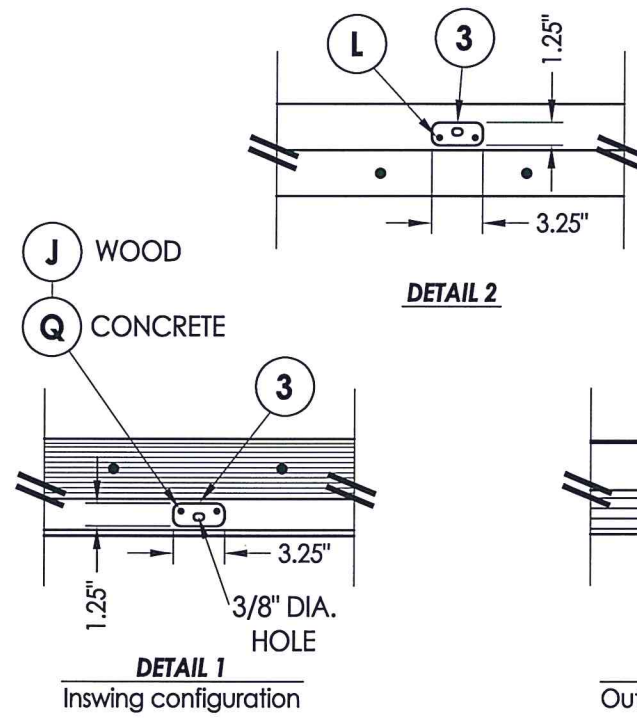
ASTRAGAL



HINGE DETAIL

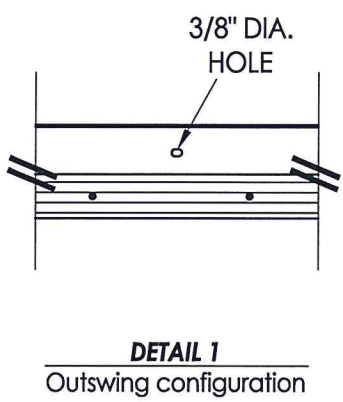


LATCH DETAIL



DETAIL 1
Inswing configuration

DETAIL 2



DETAIL 1
Outswing configuration



5-28-20

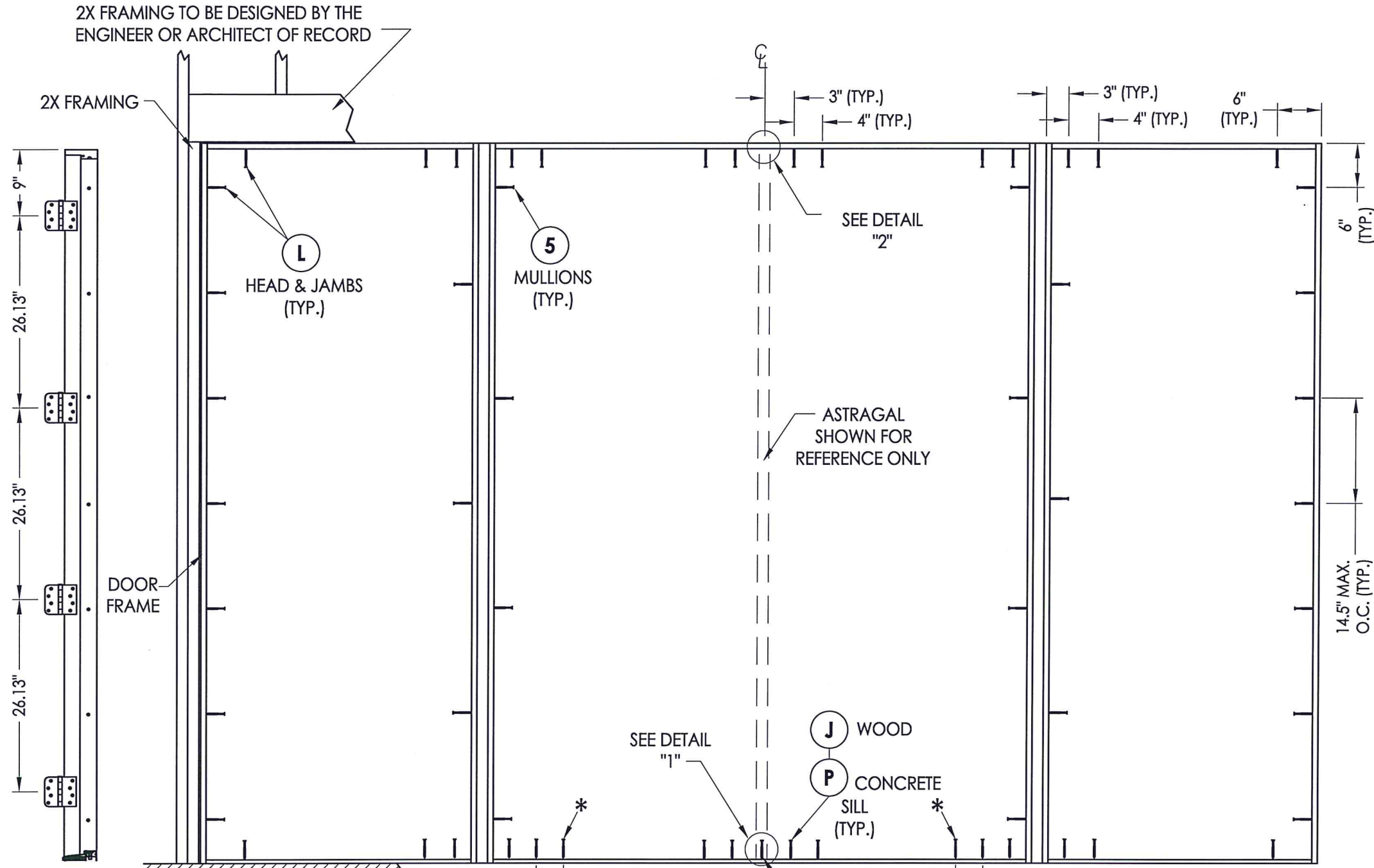
Documents Prepared By: Lyndon F. Schmidt, P.E.
TEXAS P.E. #104123

RW BUILDING CONSULTANTS, INC.
P.O. Box 230 Vairico FL. 33595
Phone No.: 813.659.9197

TEXAS BOARD OF PROFESSIONAL ENGINEERS
CERTIFICATE OF REGISTRATION # F-11852

PRODUCT:	PLASTPRO FIBERGLASS DOOR	
PART OR ASSEMBLY:	FRAME ANCHORING	
NO.	DATE	REVISIONS
1	5/28/20	UPDATE TO 2018 IBC/IRC CODE
LFS	BY	
DATE:	04/12/10	
SCALE:	N.T.S.	
DWG. BY:	JK	
CHK. BY:	LFS	
DRAWING NO.:	TX-4067	
SHEET	8	OF 11

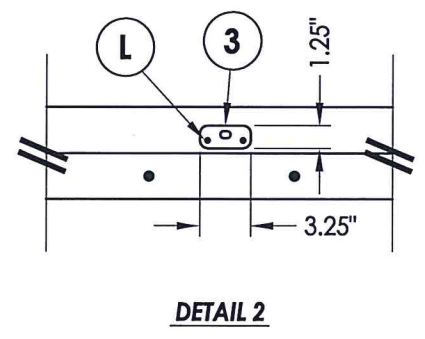
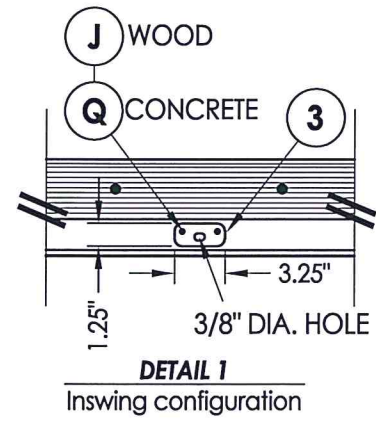
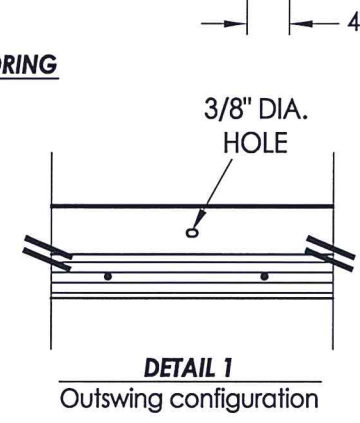
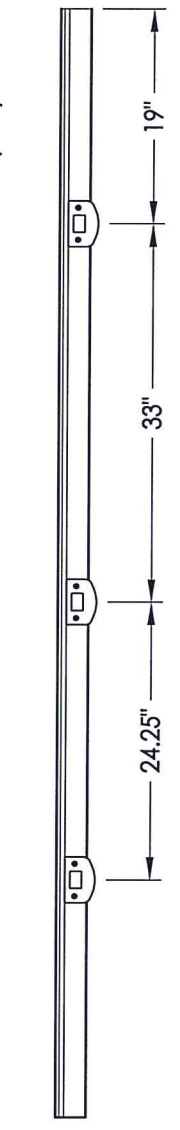
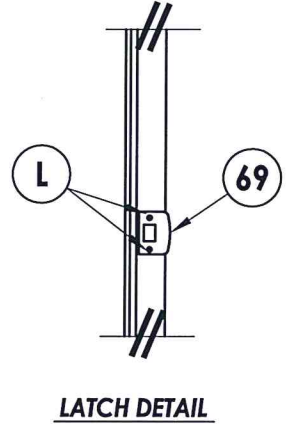
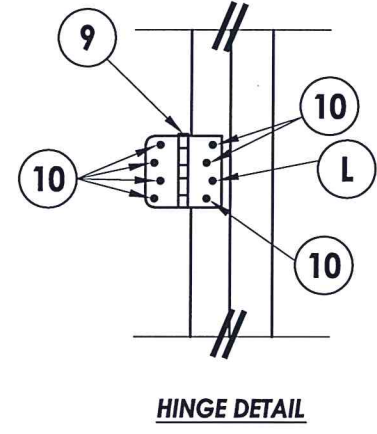
R:\Clients\Plastpro, Inc PERMANENT\B - TD\Hinged Doors - Fiberglass\DR - 446 Opaque Fiberglass Doors (Non-Impact)\C - Drawings\TX-4066.4067.dwg, 2-9



Documents Prepared By: Lyndon F. Schmidt, P.E.
TEXAS P.E. #104123

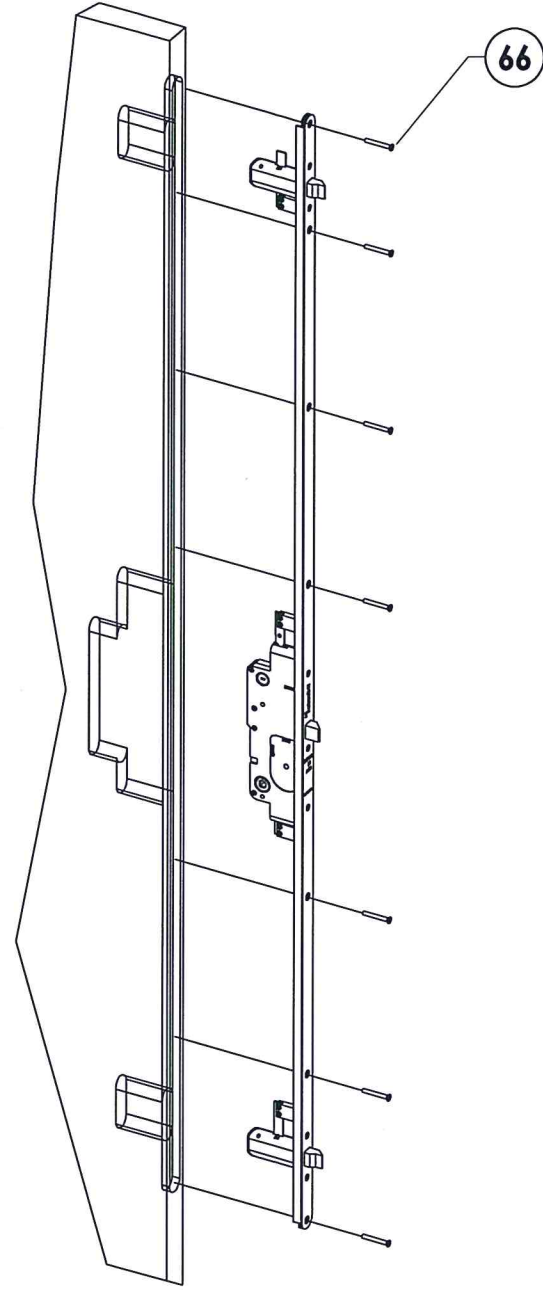
RW BUILDING CONSULTANTS, INC.
P.O. Box 230 Valrico FL 33595
Phone No.: 813.659.9197

TEXAS BOARD OF PROFESSIONAL ENGINEERS
CERTIFICATE OF REGISTRATION # F-11852



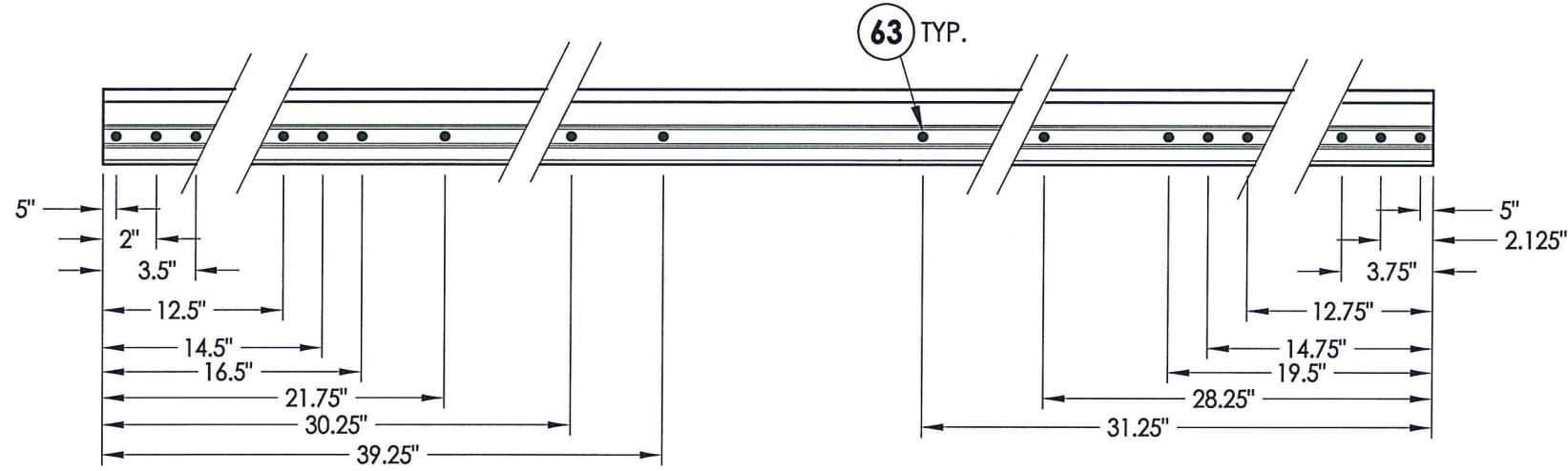
* ADDITIONAL ANCHOR REQ'D FOR D.P. > 40 PSF (WOOD SUBSTRATE ONLY)

PRODUCT:		PLASTPRO FIBERGLASS DOOR	
PART OR ASSEMBLY:		FRAME ANCHORING	
NO.	DATE	UPDATE TO 2018 IBC/IRC CODE	LFS
1	5/28/20		
DATE:		04/12/10	
SCALE:		N.T.S.	
DWG. BY:		JK	
CHK. BY:		LFS	
DRAWING NO.:		TX-4067	
SHEET		9 OF 11	

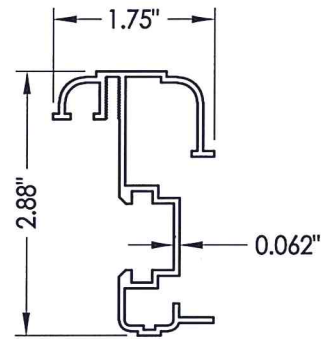


65 MULTI-POINT LOCK
Trilennium by Endura

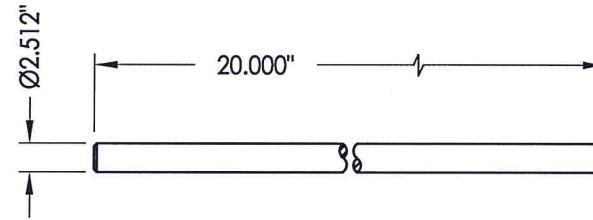
66



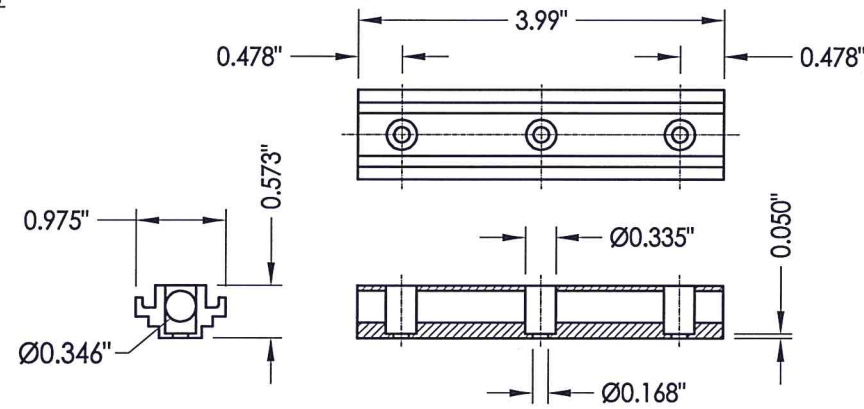
ASTRAGAL SCREW LOCATIONS



64 ASTRAGAL
By DLP



62 SLIDE BOLT ROD
Typ. top & bottom of astragal
top through 2.0"
bottom through 2.0"



61 CONCEALED STIFFENER



Documents Prepared By: Lyndon F. Schmidt, P.E.
TEXAS P.E. #104123
5-28-20

RW BUILDING CONSULTANTS, INC.
P.O. Box 230 Valrico FL 33595
Phone No.: 813.659.9197
TEXAS BOARD OF PROFESSIONAL ENGINEERS
CERTIFICATE OF REGISTRATION # F-11852

PRODUCT: PLASTPRO FIBERGLASS DOOR

PART OR ASSEMBLY: ASTRAGAL & MULTI-POINT LOCK DETAILS

NO.	DATE	DESCRIPTION	LFS	BY
1	5/28/20	UPDATE TO 2018 IBC/IRC CODE	LFS	BY

DATE: 04/12/10

SCALE: N.T.S.

DWG. BY: JK

CHK. BY: LFS

DRAWING NO.:

TX-4067

SHEET 10 OF 11

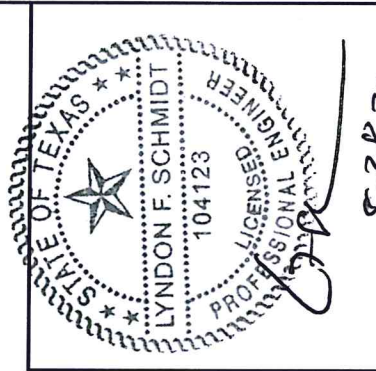
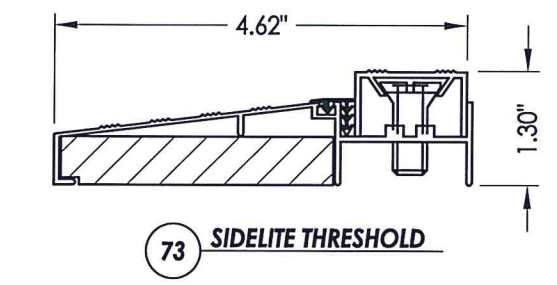
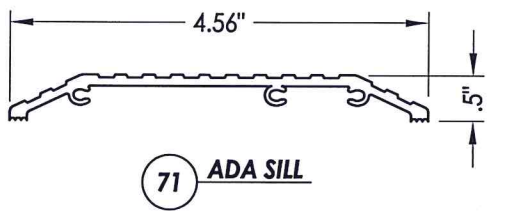
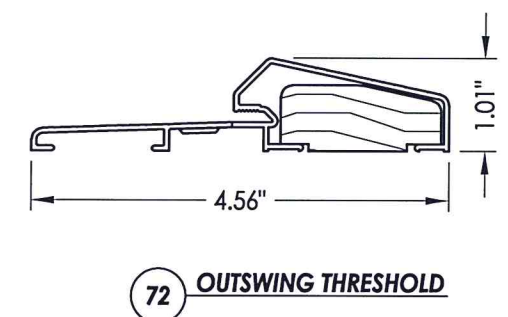
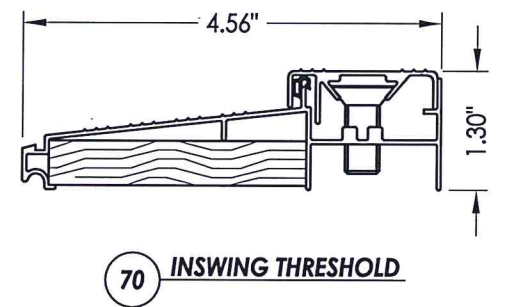
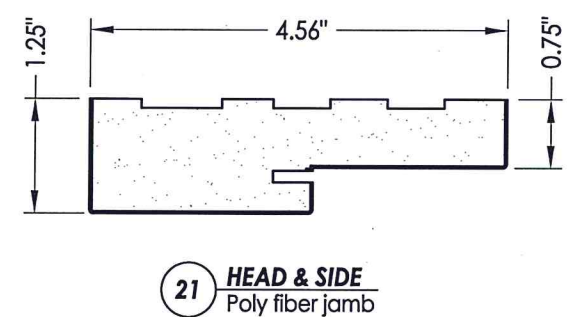
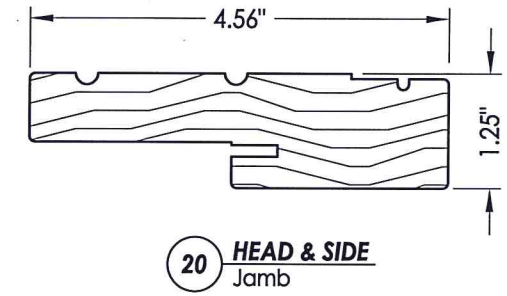
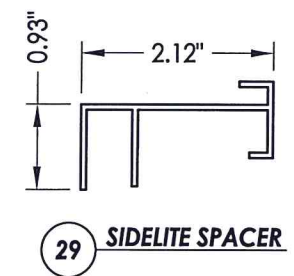
R:\Clients\Plastpro, Inc PERMANENT B - TD\Hinged Doors - Fiberglass\DR - 446 Opaque Fiberglass Doors (Non-Impact)\C - Drawings\TX-4066-4067.dwg, 2-11

BILL OF MATERIALS		
ITEM	DESCRIPTION	MATERIAL
A	2X HEADER FRAMING SG >= 0.42	WOOD
B	2X FRAMING SG >= 0.42	WOOD
C	1/4" MAX. SHIM SPACE	-
J	#10 X 3" PFH WOOD SCREW	STEEL
K	2X REINFORCEMENT (CLEAR PINE SG >= 0.42)	WOOD
L	#10 X 2-1/2" PFH WOOD SCREW (1.15" MIN. EMBEDMENT)	STEEL
M	#8 X 2-1/2" PFH WOOD SCREW	STEEL
P	1/4" PFH ELCO OR ITW CONCRETE SCREW (1-3/4" MIN. EMB.)	STEEL
Q	3/16" PFH ITW CONCRETE SCREW (1-3/4" MIN. EMB.)	STEEL
3	ASTRAGAL STRIKE PLATE	STEEL
5	#10 X 3" PFH SCREW	STEEL
6	SEALANT	SILICONE
7	WEATHERSTRIP BY Q-LON	FOAM
9	4" HINGE	STEEL
10	#9 X 3/4" PFH WOOD SCREW	STEEL
20	JAMB FINGER - JOINT - PINE (SG >= 0.42)	WOOD
21	POLY FIBER JAMB	POLY FIBER
22	#7 X 2" PFH DRYWALL SCREW	STEEL
29	SIDELITE SPACER	PVC
30	DOOR SWEEP	ALUM.
35	TRIM	WOOD
40	DOOR PANEL - SEE DOOR PANEL DETAIL SHEET FOR CONSTRUCTION DETAILS	-
50	SIDELITE PANEL - SEE SIDELITE PANEL DETAIL SHEET FOR CONSTRUCTION DETAILS	-
61	CONCEALED STIFFENER 6063-T6 BY PLASTPRO	ALUMINUM
62	SLIDE BOLT ROD	STEEL
63	#8 X 2" PPH SMS	STEEL
64	ASTRAGAL 6063-T5 ALUMINUM BY DLP	ALUMINUM
65	MULTI-POINT LOCK ASSEMBLY TRIENNIIUM BY W & F	-
66	#10 X 1-1/2" PFH SCREW	STEEL
67	BACKING PLATE	STEEL
69	MULTI-POINT STRIKE PLATE	STEEL
70	INSWING THRESHOLD BY DLP	ALUM. / WOOD
71	ADA THRESHOLD BY DLP	ALUM.
72	OUTSWING THRESHOLD BY DLP	ALUM. / WOOD
73	SIDELITE THRESHOLD BY DLP	ALUM. / WOOD

CONCRETE ANCHOR NOTES:

1. Substitution of equal concrete anchors from a different supplier may have different edge distance and center distance requirements.
2. Concrete anchor locations at the corners may be adjusted to maintain the min. edge distance to mortar joints. If concrete anchor locations noted as "MAX. ON CENTER" must be adjusted to maintain the min. edge distance to mortar joints, additional concrete anchors may be required to ensure the "MAX. ON CENTER" dimensions are not exceeded.
3. Concrete anchor table:

ANCHOR TYPE	ANCHOR SIZE	MIN. EMBEDMENT	MIN. CLEARANCE TO MASONRY EDGE	MIN. CLEARANCE TO ADJACENT ANCHOR
ITW	3/16"	1-3/4"	2-5/8"	2-1/4"
	1/4"	1-3/4"	2-1/2"	3"
ELCO	1/4"	1-3/4"	1"	4"



Documents Prepared By: Lyndon F. Schmidt, P.E.
TEXAS P.E. #104123

R.W. BUILDING CONSULTANTS, INC.
P.O. Box 230 Valrico FL, 33595
Phone No.: 813.659.9197

TEXAS BOARD OF PROFESSIONAL ENGINEERS
CERTIFICATE OF REGISTRATION # F-11852

PRODUCT:	PLASTPRO FIBERGLASS DOOR
PART OR ASSEMBLY:	BILL OF MATERIALS & COMPONENTS
DATE:	04/12/10
SCALE:	N.T.S.
DWG. BY:	JK
CHK. BY:	LFS
DRAWING NO.:	TX-4067
SHEET	11 OF 11