

**8100 SERIES ALUMINUM 90° CORNER SGD**  
EXTERIOR VIEW

NON-REINFORCED

DESIGN PRESSURE RATING	IMPACT RATING
±60PSF	NONE

REINFORCED

DESIGN PRESSURE RATING	IMPACT RATING
±80PSF	NONE

TABLE 1: PRODUCT CERTIFICATIONS

Nominal Panel Size		Design Pressure		Stile Type	Minimum Sill Riser Height	Certification Numbers
Width	Height	(+) psf	(-) psf			
60"	120"	60	60	Non-reinforced	2-1/4"	167-190
60"	120"	80	80	Reinforced	3"	167-191

1) THE PRODUCT SHOWN HEREIN IS DESIGNED AND MANUFACTURED TO COMPLY WITH THE REQUIREMENTS OF THE 2018 INTERNATIONAL BUILDING CODE AND THE 2018 INTERNATIONAL RESIDENTIAL CODE.

2) WOOD FRAMING, STEEL METAL FRAMING AND MASONRY OPENING TO BE DESIGNED AND ANCHORED TO PROPERLY TRANSFER ALL LOADS TO STRUCTURE. FRAMING AND MASONRY OPENING IS THE RESPONSIBILITY OF THE ARCHITECT OR ENGINEER OF RECORD.

3) ALLOWABLE STRESS INCREASE OF 1/3 WAS NOT USED IN THE DESIGN OF THE PRODUCT SHOWN HEREIN. WIND LOAD DURATION FACTOR Cd=1.6 WAS USED FOR WOOD ANCHOR CALCULATIONS.

4) FRAME MATERIAL: EXTRUDED ALUMINUM 6063-T6 .075" THICK.

5) PANEL MATERIAL: EXTRUDED ALUMINUM 6063-T6 .080" THICK.

6) UNITS MUST BE GLAZED PER ASTM E1300 WITH SINGLE GLAZED OR INSULATED GLASS.

7) APPROVED IMPACT PROTECTIVE SYSTEM IS REQUIRED FOR THIS PRODUCT IN WIND BORNE DEBRIS REGIONS.

8) MAXIMUM OVERALL PANEL SIZE: 64 7/16" x 118 5/16".

9) MAXIMUM D.L.O. SIZE: 56 5/8" x 112 5/16".

10) APPROVED FRAME CONDITIONS: 2-TRACK, 3-TRACK AND 4-TRACK.

11) POCKETS MAY BE INTERIOR OR EXTERIOR.

12) APPROVED CONFIGURATIONS: (8) PANELS SHOWN. UNLIMITED NUMBER OF PANELS IN UNLIMITED CONFIGURATIONS IS APPLICABLE AS LONG AS INDIVIDUAL PANEL SIZE DOES NOT EXCEED MAXIMUM PANEL SIZE AND USE VERTICAL CONDITIONS AS SHOWN.

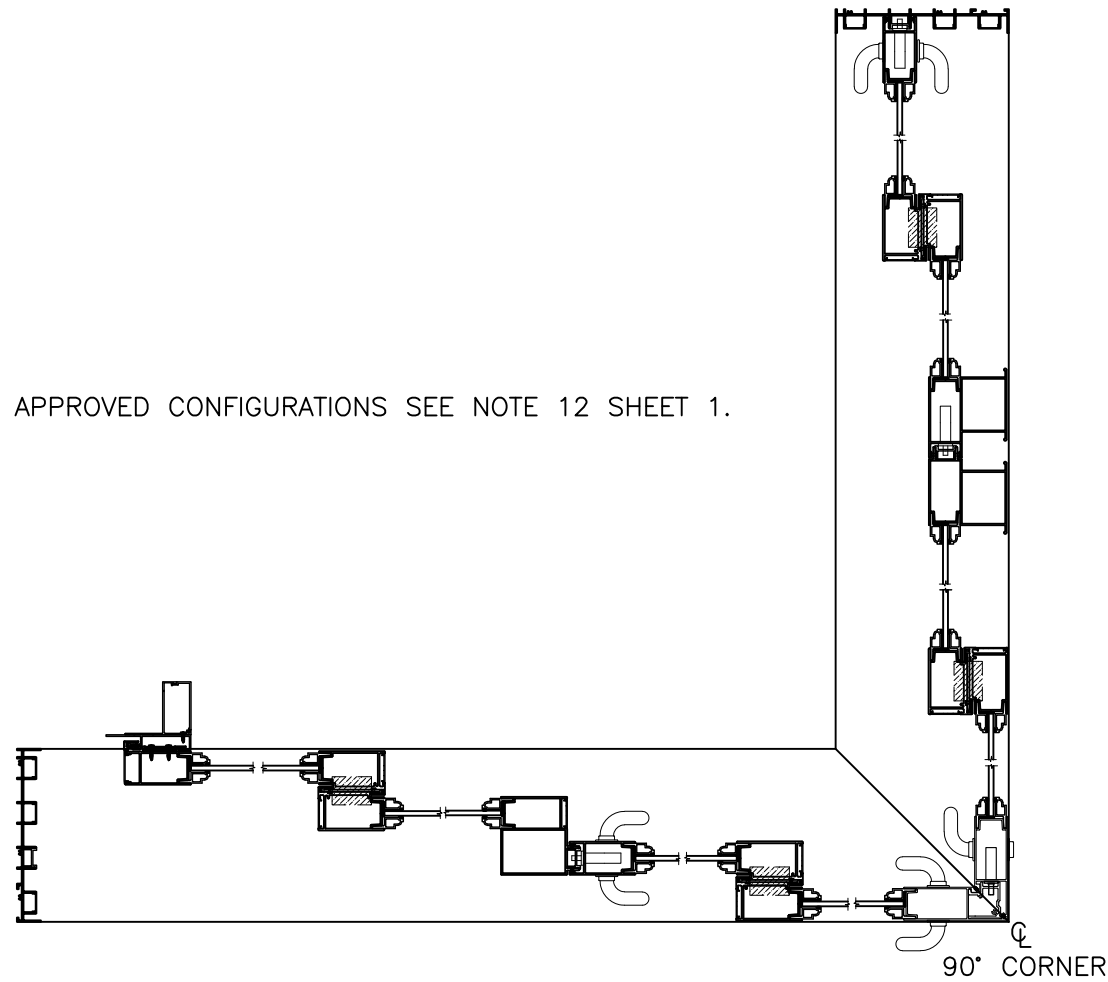
13) NON-REINFORCED UNITS MUST USE A MINIMUM 2-1/4" SILL RISER. REINFORCED UNITS MUST USE A MINIMUM 3" SILL RISER.

14) POCKET IS NOT PART OF THE DOOR DESIGN.

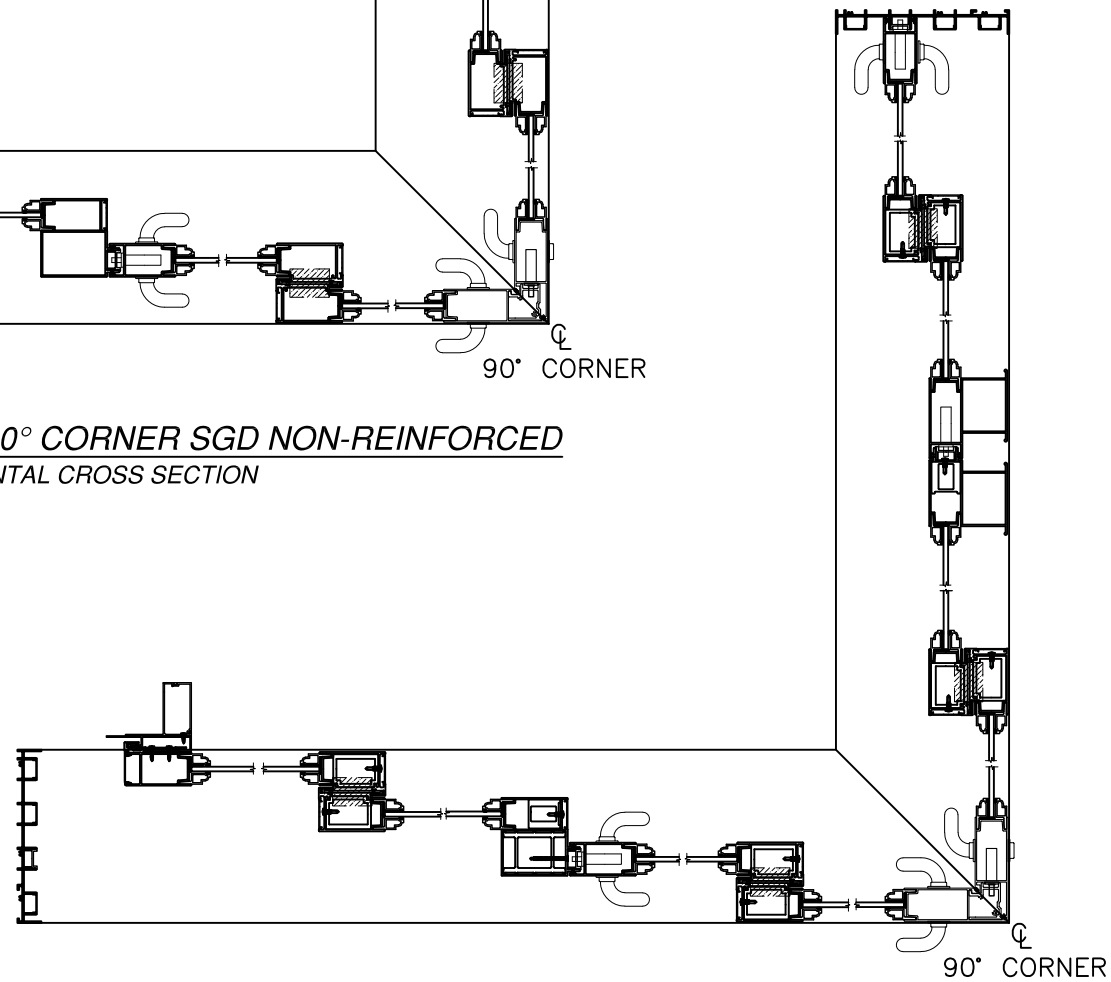
		PREPARED BY A. LYNN MILLER 1070 TECHNOLOGY DRIVE N. VENICE, FL 34275 (941) 480-1600		
WINDOOR INCORPORATED 104 TRIPLE DIAMOND BLVD. NORTH VENICE, FL 34275 (833) 554-5432		COPYRIGHT © 2021 WINDOOR INC. LIMITED LICENSE TO MAKE COPIES FOR PERMITTING.		
Series	Rev. Desc.	Title	Date	
		ALUM. SGD, 90°, 5X10, W/WO REINF, NI	10/20/21	
		ELEVATION, NOTES & DP	Drawn By	JENS ROSOWSKI
Sheet	DWG No.	Rev. No.		
SGD8100 90	1 OF 7	8100-TDI-1		

A. LYNN MILLER, P.E.  
 P.E.# 106954

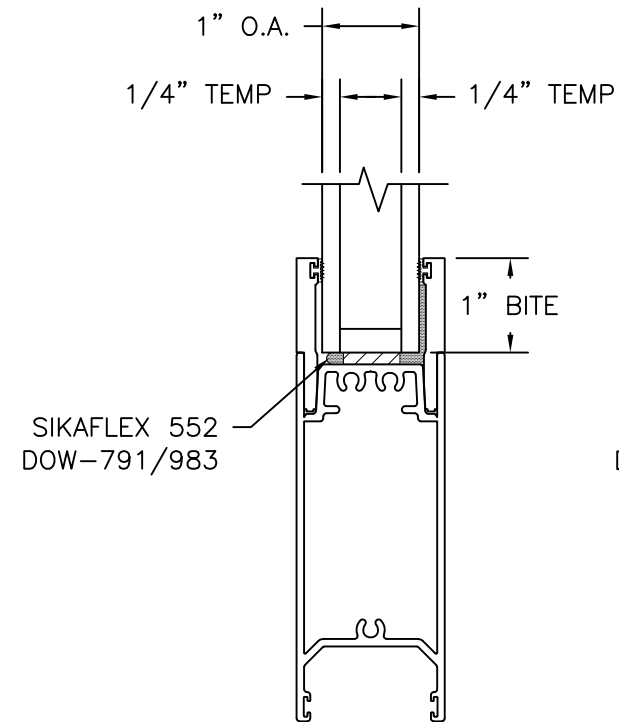
FOR APPROVED CONFIGURATIONS SEE NOTE 12 SHEET 1.



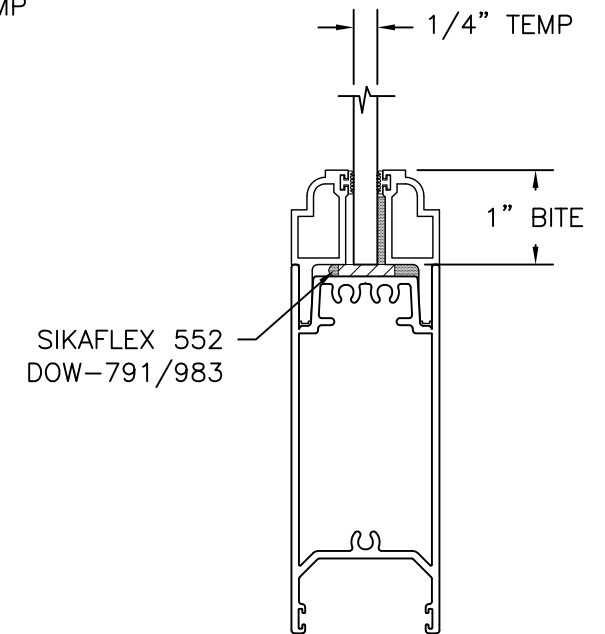
**8100 SERIES ALUMINUM 90° CORNER SGD NON-REINFORCED**  
HORIZONTAL CROSS SECTION



**8100 SERIES ALUMINUM 90° CORNER SGD REINFORCED**  
HORIZONTAL CROSS SECTION



**1" IGU TEMP**  
GLAZING DETAIL



**1/4" TEMP**  
GLAZING DETAIL

<p><b>WinDoor®</b> INCORPORATED</p> <p>WINDOOR INCORPORATED 104 TRIPLE DIAMOND BLVD. NORTH VENICE, FL 34275 (833) 554-5432</p>		<p>PREPARED BY A. LYNN MILLER 1070 TECHNOLOGY DRIVE N. VENICE, FL 34275 (941) 480-1600</p> <p>COPYRIGHT © 2021 WINDOOR INC. LIMITED LICENSE TO MAKE COPIES FOR PERMITTING.</p>							
<p>ALUM. SGD, 90°, 5X10, W/WO REINF, NI</p>		<p>Date 10/20/21</p>							
<p>HORIZ. CROSS SECTIONS</p>		<p>Drawn By JENS ROSOWSKI</p>							
Series	SGD8100 90	Sheet	2 OF 7	DWG No.	8100-TDI-1	Rev. No.		<p><i>A. Lynn Miller</i> 10/22/21 A. LYNN MILLER, P.E. P.E.# 106954</p>	



2X BUCK/WOOD FRAMING BY OTHERS, 2X BUCK TO BE PROPERLY SECURED

#14 WOOD SCREW

BACKER ROD AND APPROVED SEALANT BY OTHERS

1 3/8" MIN. EMBEMENT

1/4" MAX. SHIM

EXTERIOR

INTERIOR

2 1/4" SILL RISER  
SEE NOTE 13, SHEET 1

ANCHOR HEADS MUST BE COVERED WITH APPROVED SEALANT BY OTHERS

SILL MUST BE SET IN FULL BED OF APPROVED SEALANT OR NON-SHRINK GROUT BY OTHERS

2X BUCK/WOOD FRAMING BY OTHERS, 2X BUCK TO BE PROPERLY SECURED

1 3/8" MIN. EMBEMENT

#14 WOOD SCREW

**VERTICAL CROSS SECTION**

2X BUCK/WOOD FRAMING  
4-TRACK SHOWN, 2-TRACK AND 3-TRACK SIMILAR  
SINGLE GLAZED SHOWN, INSULATED GLASS SIMILAR

ANCHOR HEADS MUST BE COVERED WITH APPROVED SEALANT BY OTHERS

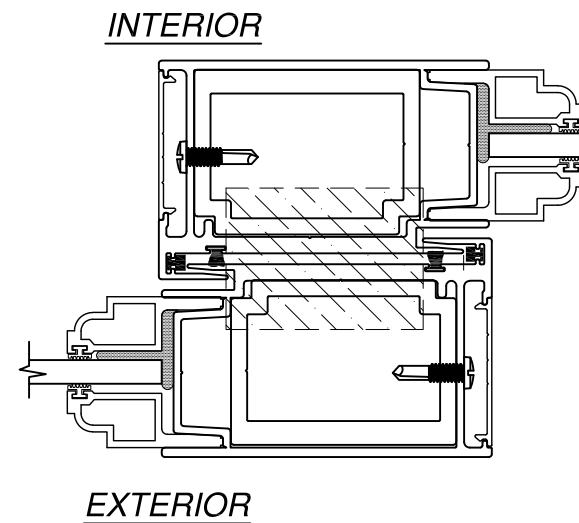
1/4" MAX. SHIM

1 3/8" MIN. EMBEMENT

#14 WOOD SCREW

BACKER ROD AND APPROVED SEALANT BY OTHERS

2X BUCK/WOOD FRAMING BY OTHERS, 2X BUCK TO BE PROPERLY SECURED

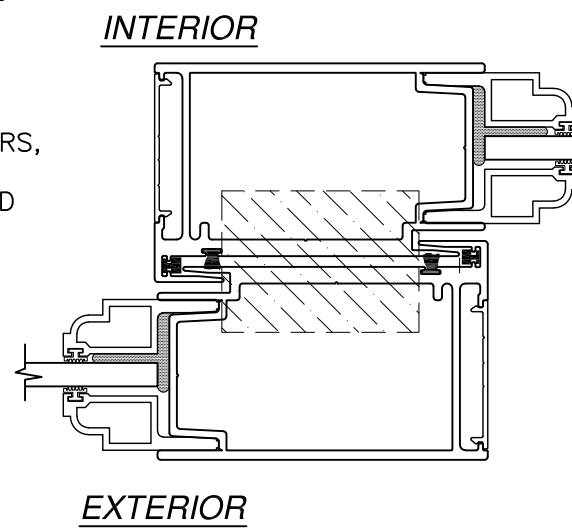
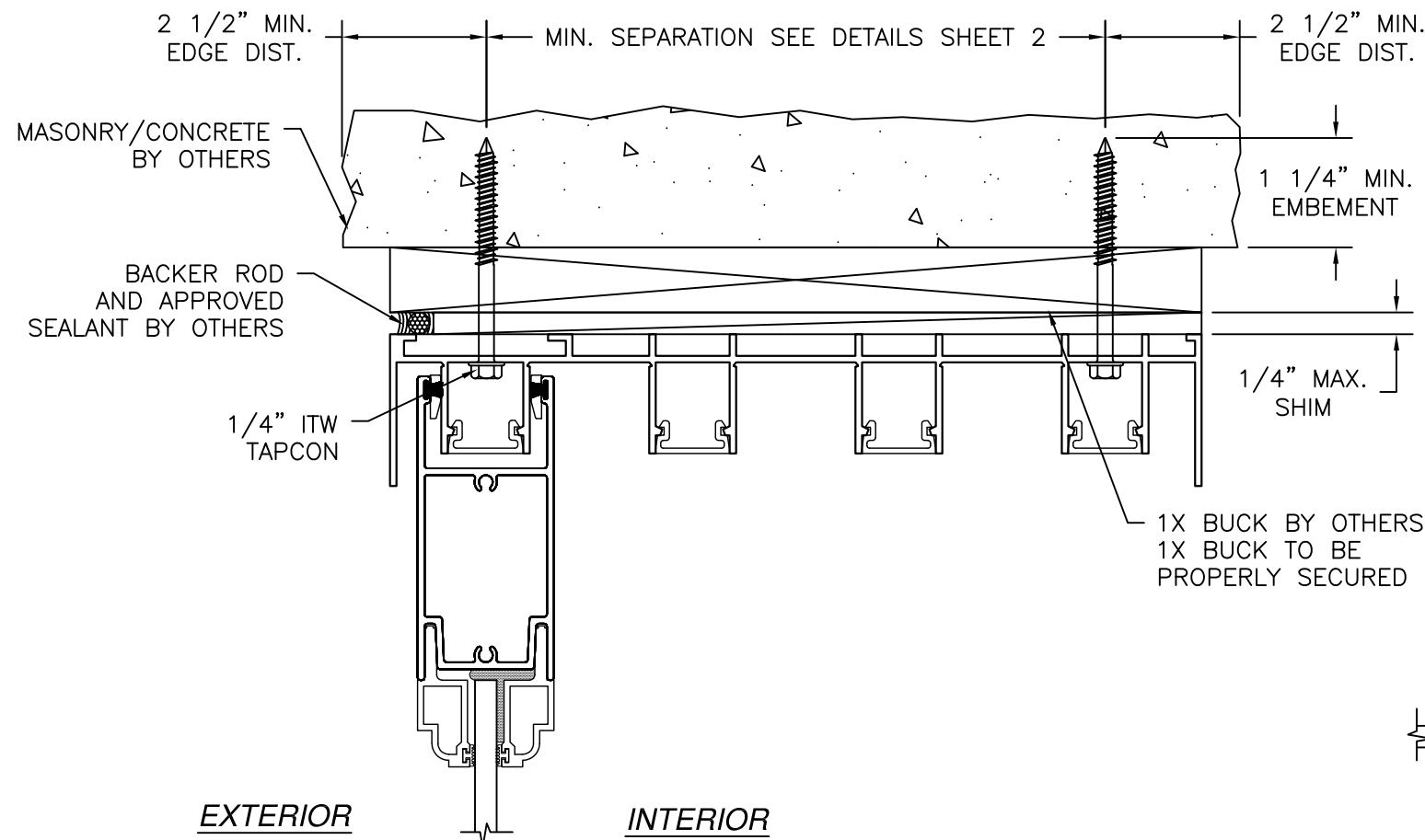


**HORIZONTAL CROSS SECTION**

2X BUCK/WOOD FRAMING  
4-TRACK SHOWN, 2-TRACK AND 3-TRACK SIMILAR  
REINFORCED SHOWN, NON-REINFORCED SIMILAR  
SINGLE GLAZED SHOWN, INSULATED GLASS SIMILAR

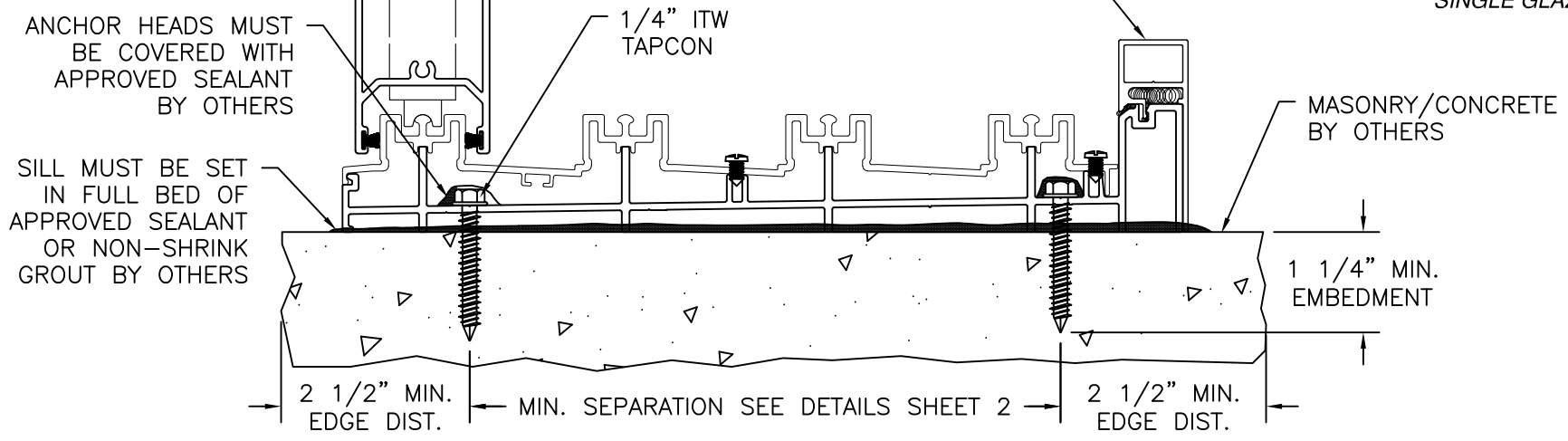
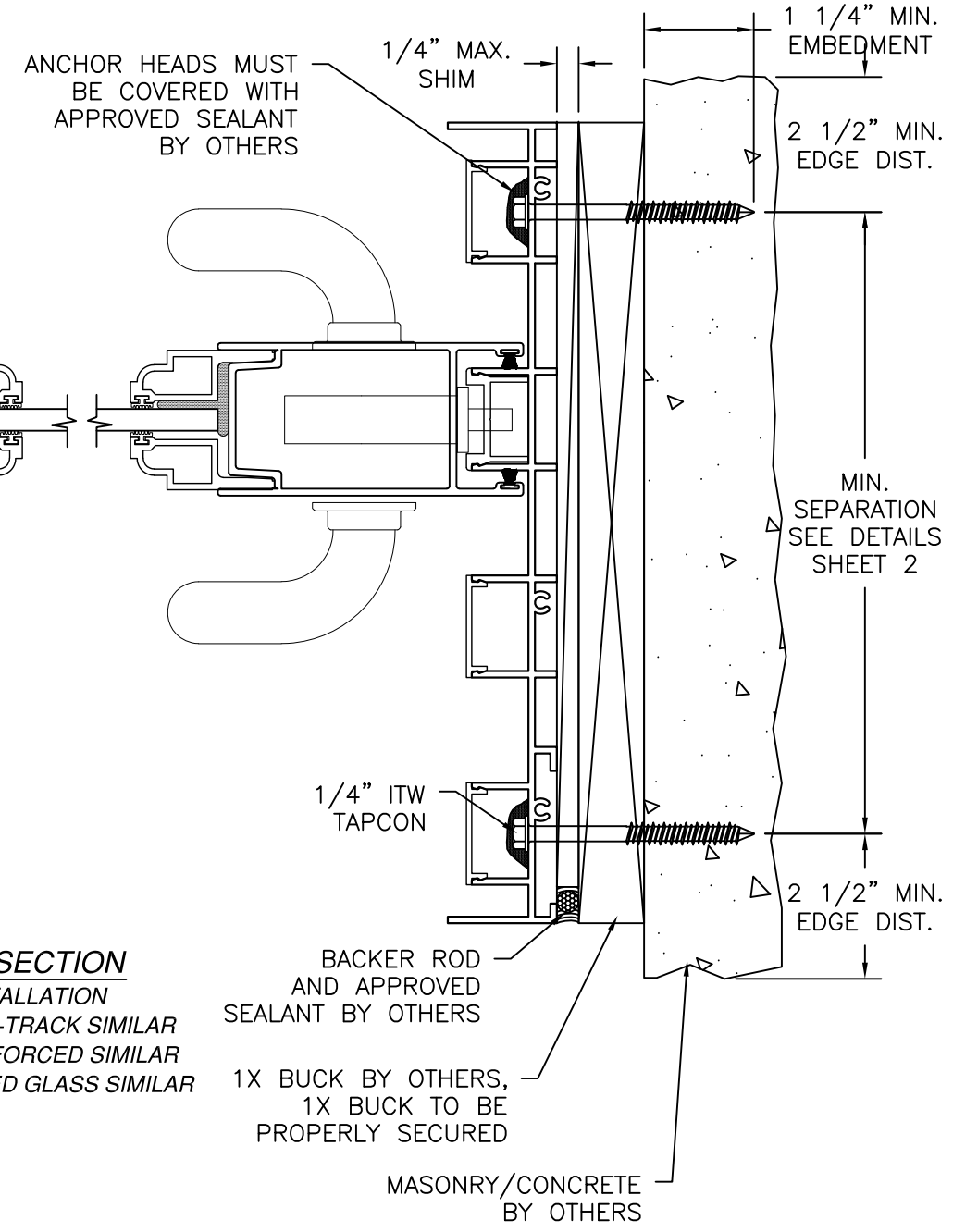
		PREPARED BY A. LYNN MILLER 1070 TECHNOLOGY DRIVE N. VENICE, FL 34275 (941) 480-1600		
WINDOOR INCORPORATED 104 TRIPLE DIAMOND BLVD. NORTH VENICE, FL 34275 (833) 554-5432		COPYRIGHT © 2021 WINDOOR INC. LIMITED LICENSE TO MAKE COPIES FOR PERMITTING.		
Series	Rev.	Desc.	Title	Date
SGD8100 90			ALUM. SGD, 90°, 5X10, W/WO REINF, NI	10/20/21
Sheet	4 OF 7	DWG No.	WOOD INSTALLATION DETAILS	Drawn By
				JENS ROSOWSKI

A. LYNN MILLER, P.E.  
 P.E.# 106954



**HORIZONTAL CROSS SECTION**  
MASONRY/CONCRETE INSTALLATION

4-TRACK SHOWN, 2-TRACK AND 3-TRACK SIMILAR  
NON-REINFORCED SHOWN, REINFORCED SIMILAR  
SINGLE GLAZED SHOWN, INSULATED GLASS SIMILAR

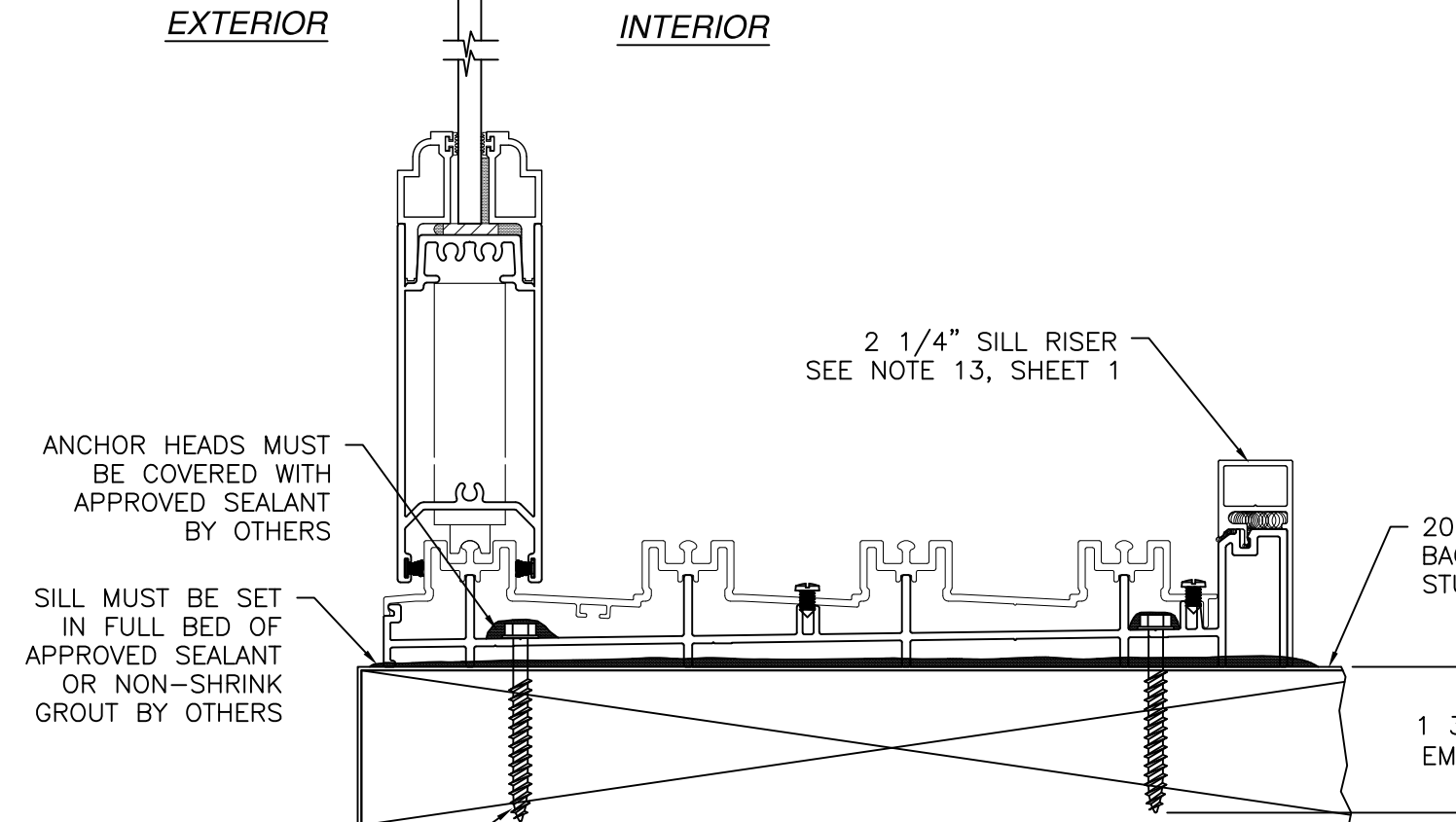
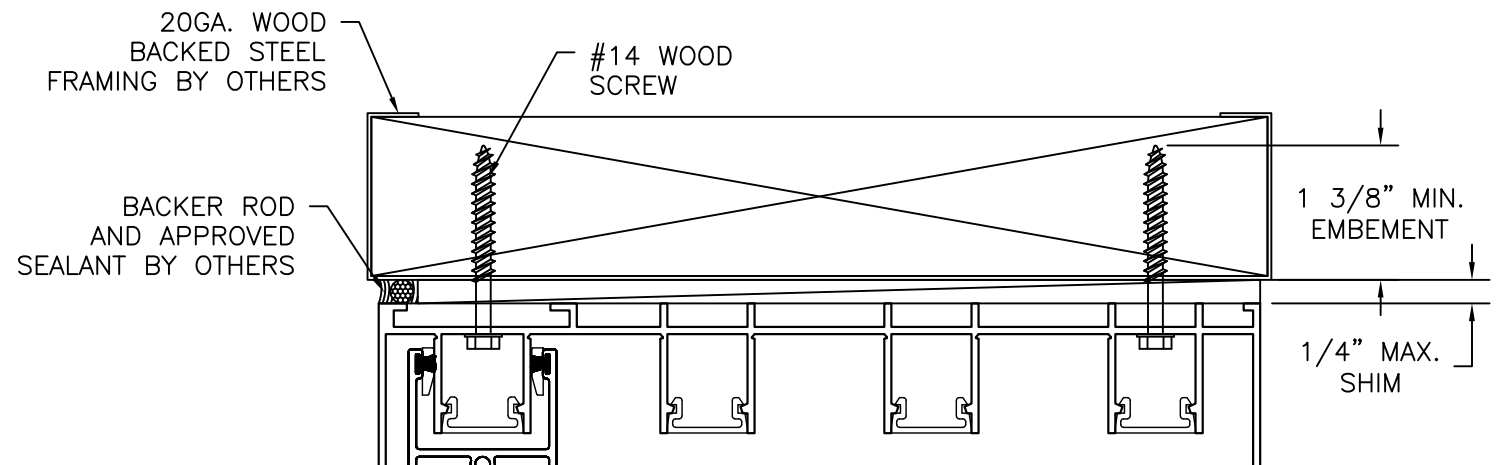


**VERTICAL CROSS SECTION**  
MASONRY/CONCRETE INSTALLATION

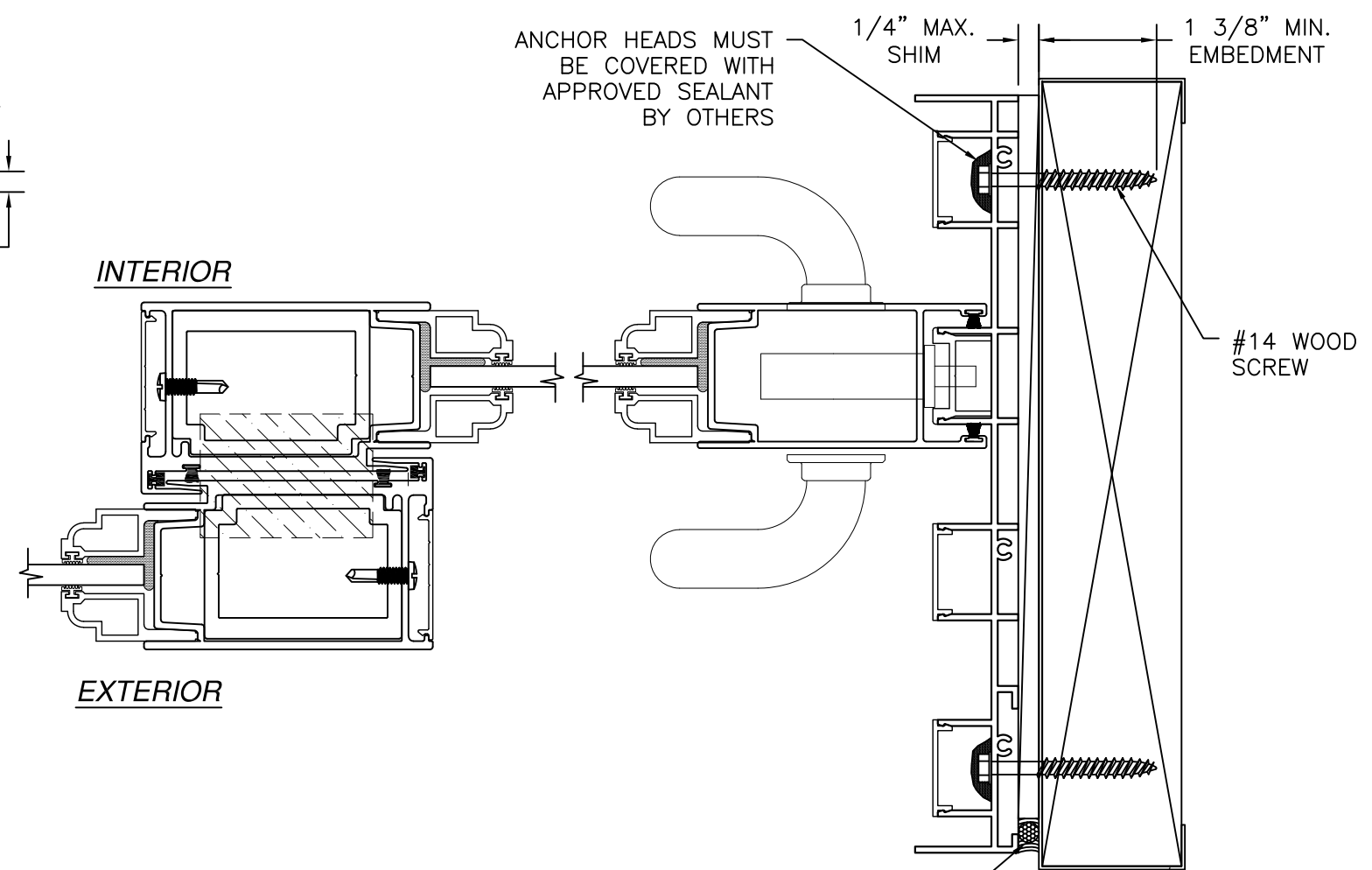
4-TRACK SHOWN, 2-TRACK AND 3-TRACK SIMILAR  
SINGLE GLAZED SHOWN, INSULATED GLASS SIMILAR

<p><b>WinDoor</b><sup>®</sup> INCORPORATED</p> <p>WINDOOR INCORPORATED 104 TRIPLE DIAMOND BLVD. NORTH VENICE, FL 34275 (833) 554-5432</p>		<p>PREPARED BY A. LYNN MILLER 1070 TECHNOLOGY DRIVE N. VENICE, FL 34275 (941) 480-1600</p> <p>COPYRIGHT © 2021 WINDOOR INC. LIMITED LICENSE TO MAKE COPIES FOR PERMITTING.</p>		
<p>ALUM. SGD, 90°, 5X10, W/WO REINF, NI</p> <p>Date: 10/20/21</p>		<p>Drawn By: JENS ROSOWSKI</p>		
<p>MASONRY INSTAL. DETAILS</p>		<p>Rev. No. 10/22/21</p>		<p>A. Lynn Miller A. LYNN MILLER, P.E. P.E.# 106954</p>
<p>SGD8100 90</p>		<p>5 OF 7</p>		





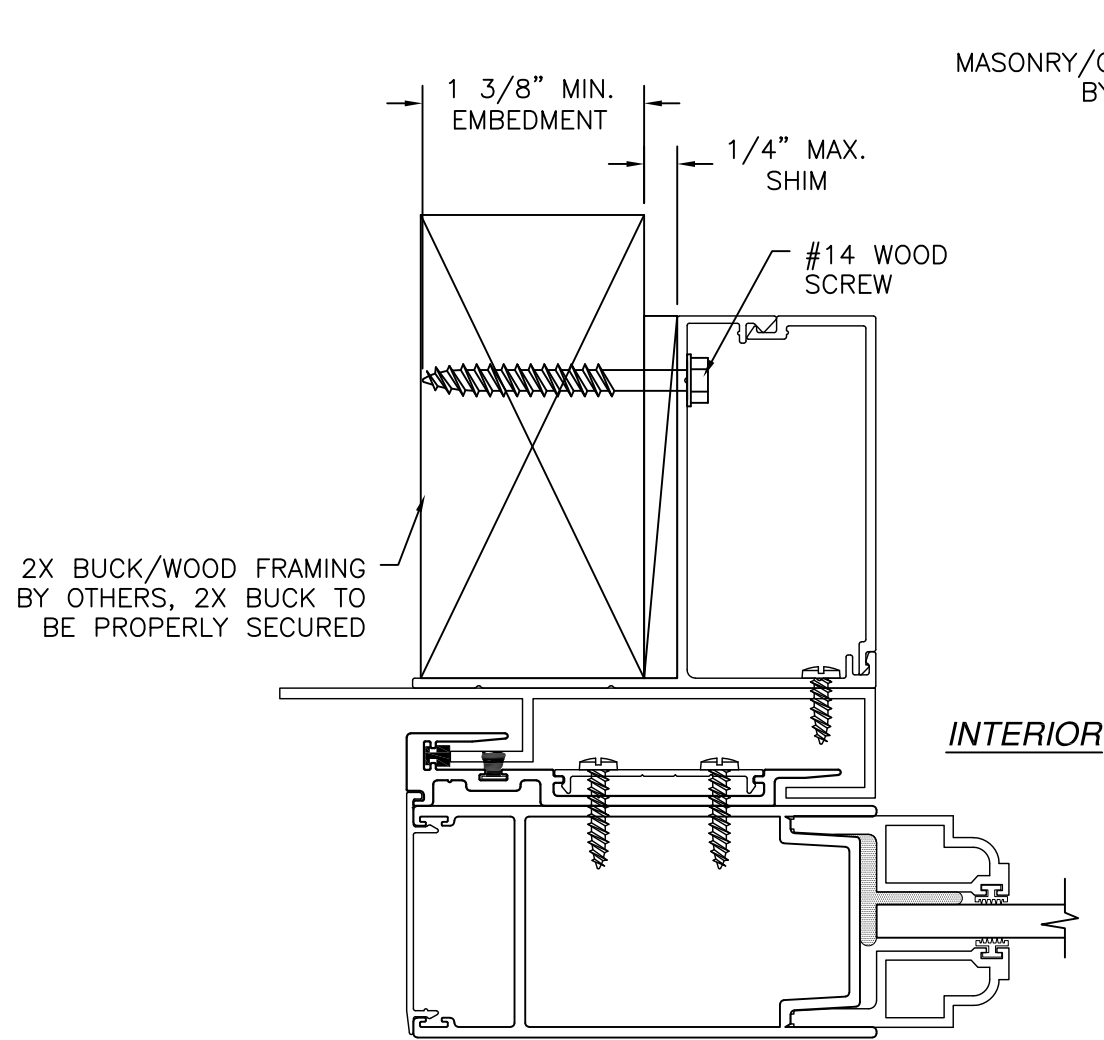
**VERTICAL CROSS SECTION**  
 20GA. WOOD BACKED STEEL FRAMING  
 4-TRACK SHOWN, 2-TRACK AND 3-TRACK SIMILAR  
 SINGLE GLAZED SHOWN, INSULATED GLASS SIMILAR



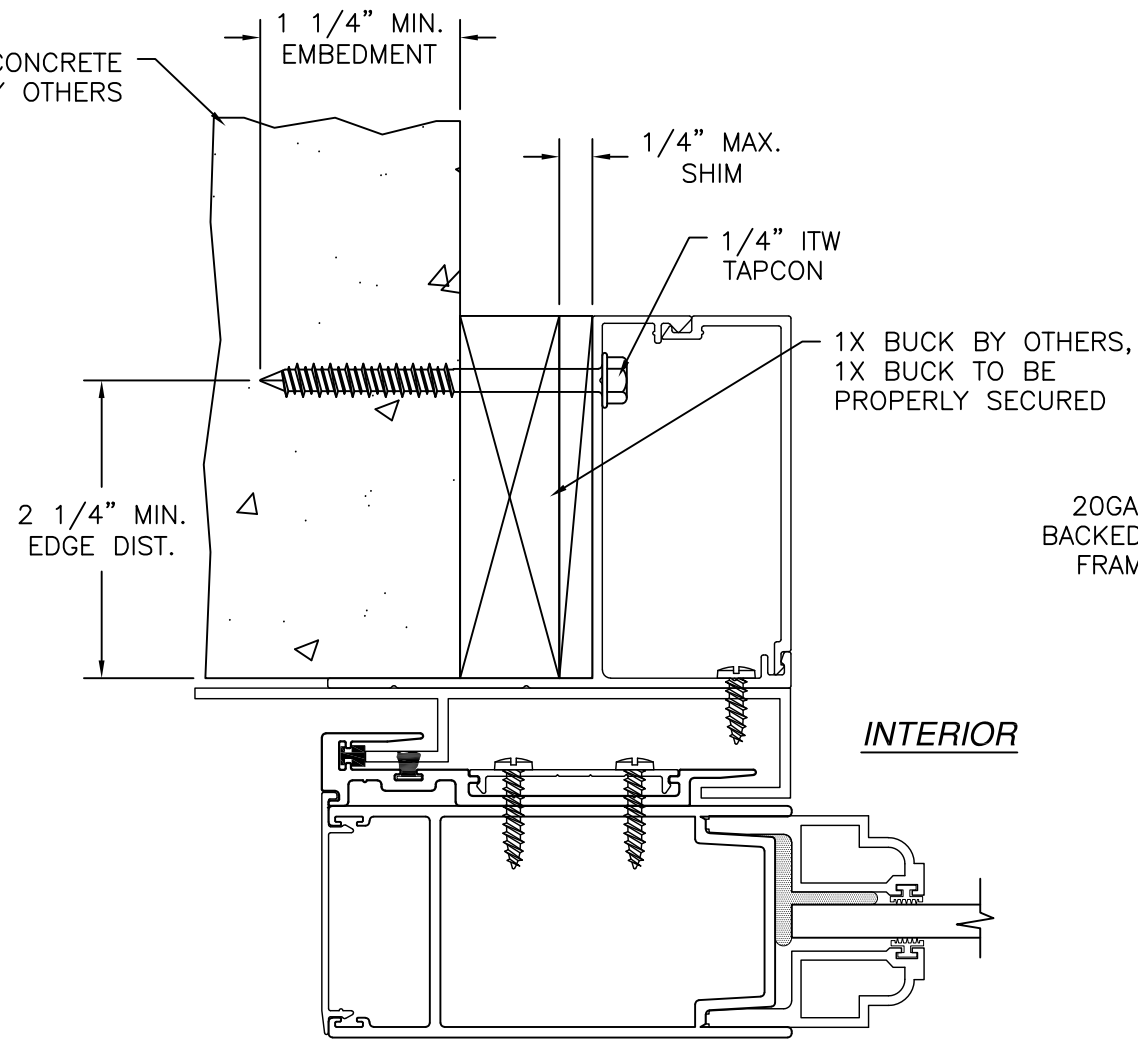
**HORIZONTAL CROSS SECTION**  
 20GA. WOOD BACKED STEEL FRAMING  
 4-TRACK SHOWN, 2-TRACK AND 3-TRACK SIMILAR  
 REINFORCED SHOWN, NON-REINFORCED SIMILAR  
 SINGLE GLAZED SHOWN, INSULATED GLASS SIMILAR

		PREPARED BY A. LYNN MILLER 1070 TECHNOLOGY DRIVE N. VENICE, FL 34275 (941) 480-1600		
WINDOOR INCORPORATED 104 TRIPLE DIAMOND BLVD. NORTH VENICE, FL 34275 (833) 554-5432		COPYRIGHT © 2021 WINDOOR INC. LIMITED LICENSE TO MAKE COPIES FOR PERMITTING.		
Series	Rev. Desc.	Title	Drawn By	Date
SGD8100 90		ALUM. SGD, 90°, 5X10, W/WO REINF, NI	JENS ROSOWSKI	10/20/21
Sheet	DWG No.	Rev. No.		
6 OF 7	8100-TDI-1			

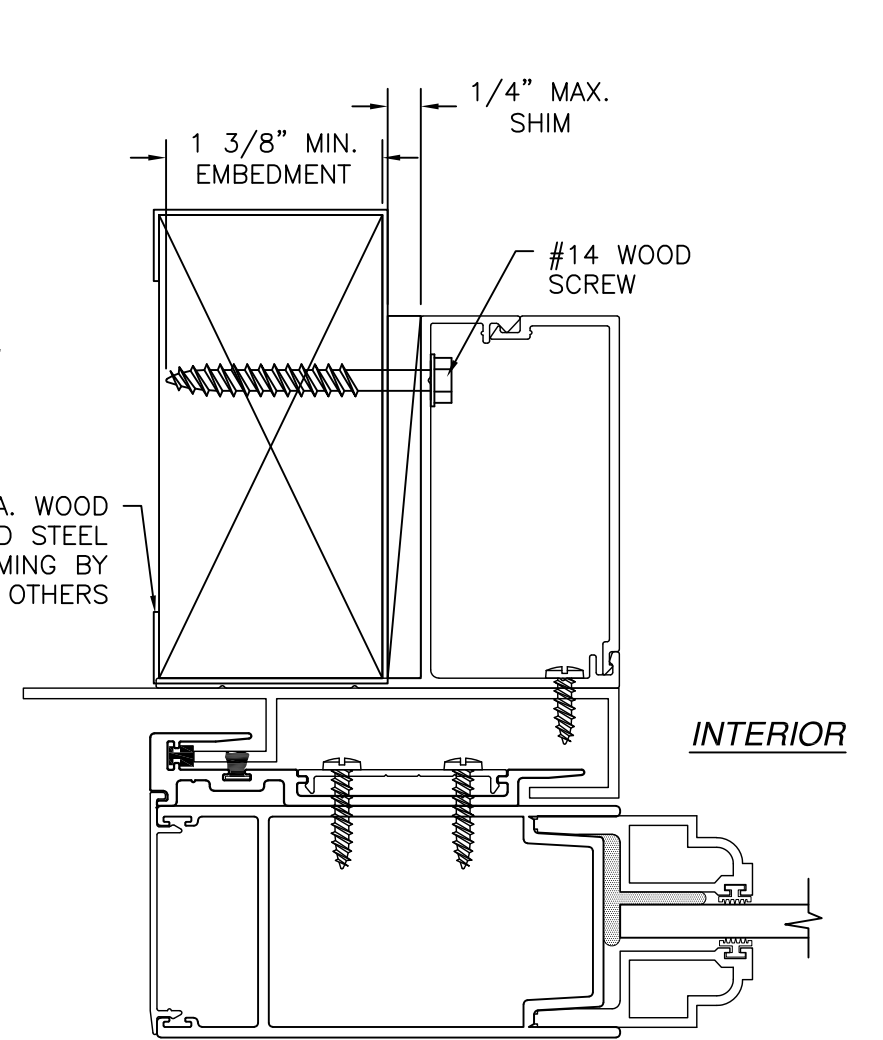
A. LYNN MILLER, P.E.  
 P.E.# 106954



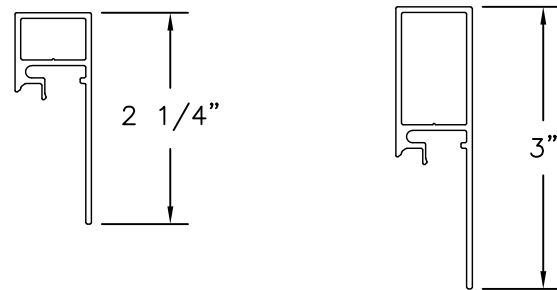
**HORIZONTAL CROSS SECTION**  
 HOOK STRIP INSTALLATION  
 2X BUCK/WOOD FRAMING  
 EXTERIOR POCKET SHOWN, INTERIOR POCKET SIMILAR



**HORIZONTAL CROSS SECTION**  
 HOOK STRIP INSTALLATION  
 MASONRY/CONCRETE INSTALLATION  
 EXTERIOR POCKET SHOWN, INTERIOR POCKET SIMILAR



**HORIZONTAL CROSS SECTION**  
 HOOK STRIP INSTALLATION  
 20GA. WOOD BACKED STEEL FRAMING  
 EXTERIOR POCKET SHOWN, INTERIOR POCKET SIMILAR



**OPTIONAL SILL RISERS**  
 SEE NOTE 13 ON SHEET 1.

<b>WinDoor®</b> INCORPORATED WINDOOR INCORPORATED 104 TRIPLE DIAMOND BLVD. NORTH VENICE, FL 34275 (833) 554-5432		PREPARED BY A. LYNN MILLER 1070 TECHNOLOGY DRIVE N. VENICE, FL 34275 (941) 480-1600 COPYRIGHT © 2021 WINDOOR INC. LIMITED LICENSE TO MAKE COPIES FOR PERMITTING.		
ALUM. SGD, 90°, 5X10, W/WO REINF, NI		Date 10/20/21		
HOOK STRIP INSTAL. DETAILS		Drawn By JENS ROSOWSKI		A. Lynn Miller 10/22/21 A. LYNN MILLER, P.E. P.E.# 106954
Series SGD8100 90	Sheet 7 OF 7	DWG No. 8100-TDI-1	Rev. No.	