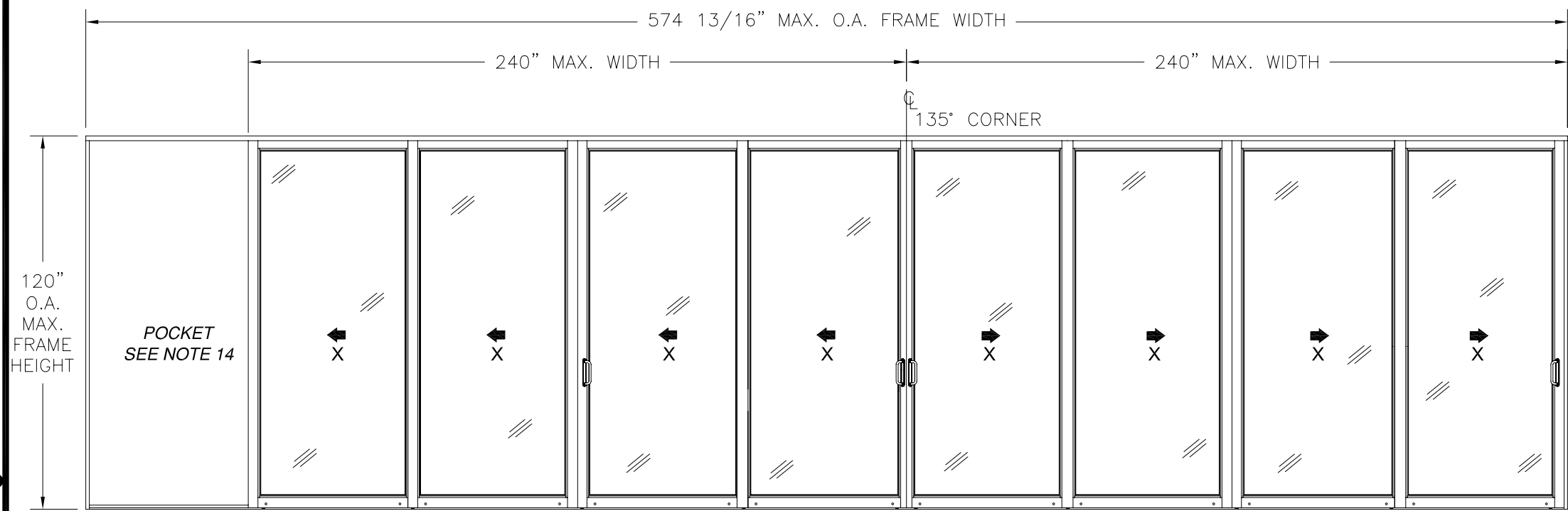


REVISIONS			
REV	DESCRIPTION	DATE	APPROVED
A	UPDATED PER TDI COMMENTS	3/3/10	R.L.



- NOTES:
- 1) THE PRODUCT SHOWN HEREIN IS DESIGNED AND MANUFACTURED TO COMPLY WITH REQUIREMENTS OF THE 2006 INTERNATIONAL BUILDING CODE AND 2006 INTERNATIONAL RESIDENTIAL CODE WITH TEXAS STATE MODIFICATIONS.
 - 2) WOOD FRAMING, STEEL METAL FRAMING AND MASONRY OPENING TO BE DESIGNED AND ANCHORED TO PROPERLY TRANSFER ALL LOADS TO STRUCTURE. FRAMING AND MASONRY OPENING IS THE RESPONSIBILITY OF THE ARCHITECT OR ENGINEER OF RECORD.
 - 3) ALLOWABLE STRESS INCREASE OF 1/3 WAS NOT USED IN THE DESIGN OF THE PRODUCT SHOWN HEREIN. WIND LOAD DURATION FACTOR Cd=1.6 WAS USED FOR WOOD ANCHOR CALCULATIONS.
 - 4) FRAME MATERIAL: EXTRUDED ALUMINUM 6063-T6 .075" THICK.
 - 5) PANEL MATERIAL: EXTRUDED ALUMINUM 6063-T6 .080" THICK.
 - 6) UNITS MUST BE GLAZED PER ASTM E1300 WITH SINGLE GLAZED OR INSULATED GLASS.
 - 7) APPROVED IMPACT PROTECTIVE SYSTEM IS REQUIRED FOR THIS PRODUCT IN WIND BORNE DEBRIS REGIONS.
 - 8) MAXIMUM OVERALL PANEL SIZE: 64 7/16" x 118 5/16".
 - 9) MAXIMUM D.L.O. SIZE: 56 5/8" x 112 5/16".
 - 10) APPROVED FRAME CONDITIONS: 2-TRACK, 3-TRACK AND 4-TRACK.
 - 11) POCKETS MAY BE INTERIOR OR EXTERIOR.
 - 12) APPROVED CONFIGURATIONS: (8) PANELS SHOWN. UNLIMITED NUMBER OF PANELS IN UNLIMITED CONFIGURATIONS IS APPLICABLE AS LONG AS INDIVIDUAL PANEL SIZE DOES NOT EXCEED MAXIMUM PANEL SIZE AND USE VERTICAL CONDITIONS AS SHOWN.
 - 13) NON-REINFORCED UNITS MUST USE A MINIMUM 2 1/4" SILL RISER. REINFORCED UNITS MUST USED A MINIMUM 3" SILL RISER.
 - 14) POCKET IS NOT PART OF THE DOOR DESIGN.

NON-REINFORCED

DESIGN PRESSURE RATING	IMPACT RATING
±50PSF	NONE

REINFORCED

DESIGN PRESSURE RATING	IMPACT RATING
±70PSF	NONE

TABLE OF CONTENTS	
SHEET NO.	DESCRIPTION
1	ELEVATION, NOTES AND DESIGN PRESSURE RATINGS
2	DESIGN PRESSURE CHARTS
3	HORIZONTAL CROSS SECTIONS
4	ANCHORING LAYOUT AND NOTES
5 - 8	INSTALLATION DETAILS

WinDoor
INCORPORATED

7500 AMSTERDAM DRIVE
ORLANDO, FL 32832
Phone: 407.481.8400
Fax: 407.481.0505
www.windoorinc.com

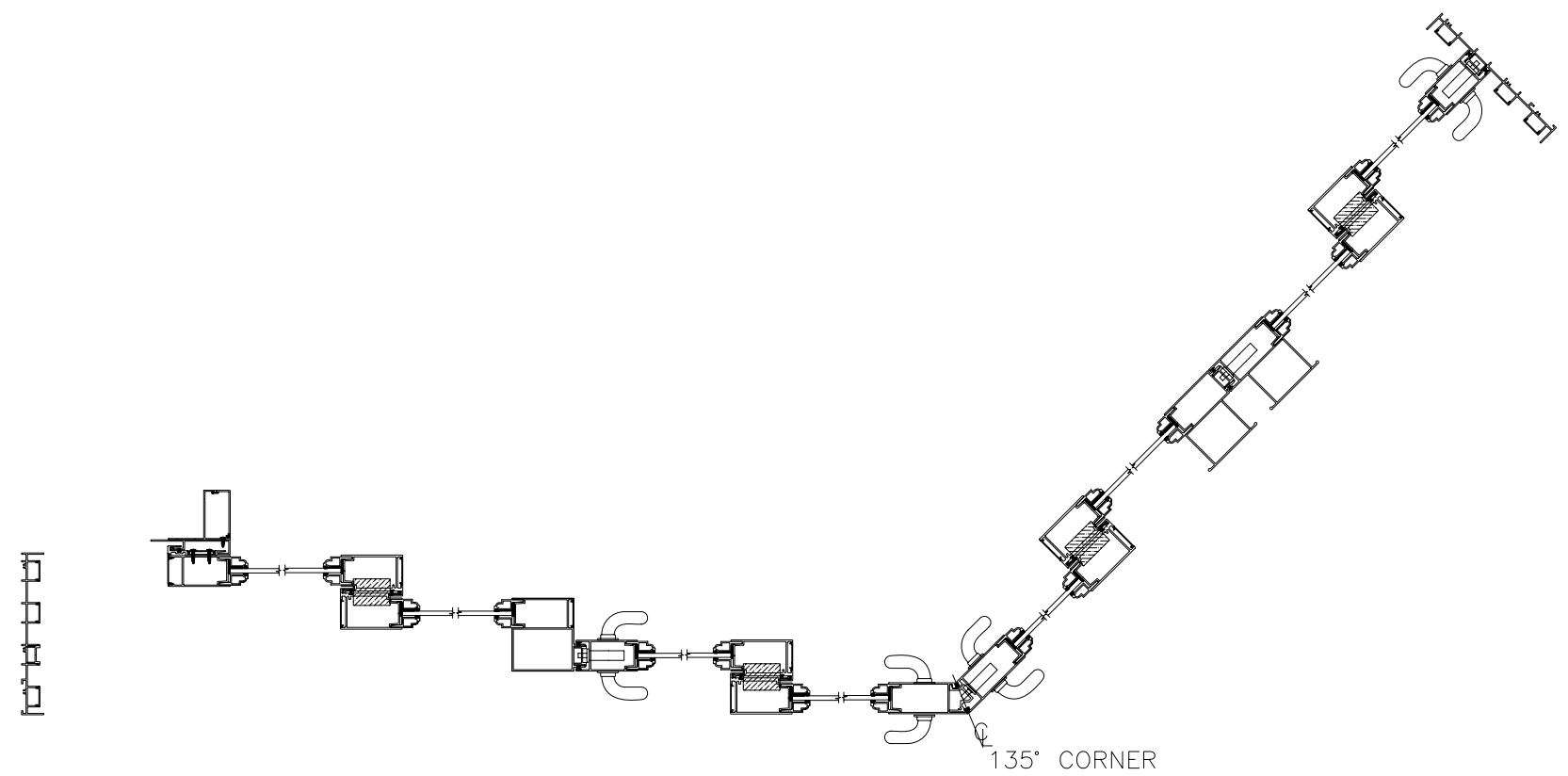
8100 SERIES ALUMINUM 135° CORNER SGD NON-IMP REINFORCED & NON-REINFORCED 5'0 x 10'0 PANEL ELEVATION, NOTES AND DESIGN PRESSURE RATINGS

DRAWN: TJH DWG NO. 08-00864 REV A

SCALE NTS DATE 09/21/09 SHEET 1 OF 7

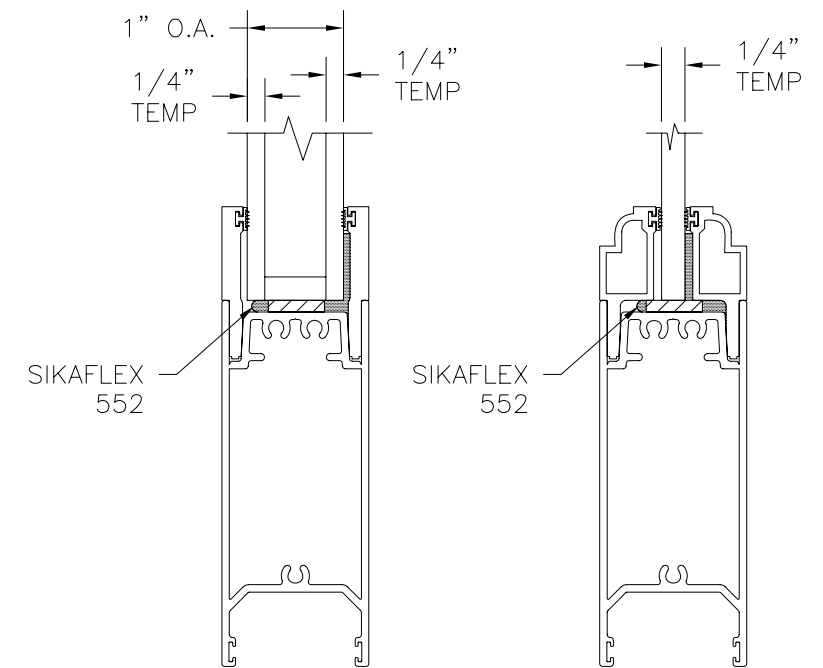
Luis R. Thomas P.E.
Texas No. 101889

REVISIONS			
REV	DESCRIPTION	DATE	APPROVED
A	UPDATED PER TDI COMMENTS	3/3/10	R.L.



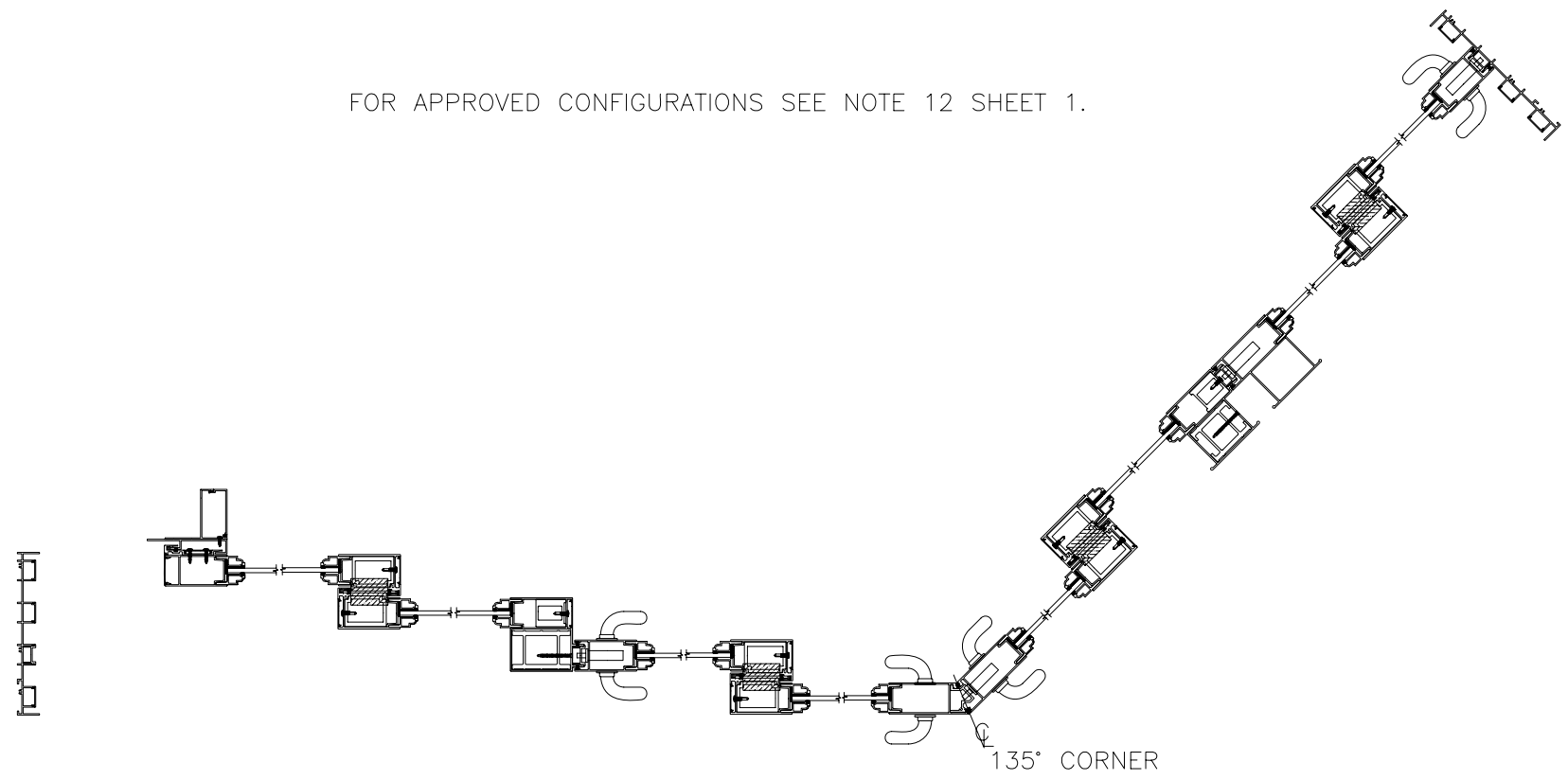
8100 SERIES ALUMINUM 135° CORNER SGD NON-REINFORCED
HORIZONTAL CROSS SECTION

FOR APPROVED CONFIGURATIONS SEE NOTE 12 SHEET 1.



1" IGU TEMP
GLAZING DETAIL

1/4" TEMP
GLAZING DETAIL



8100 SERIES ALUMINUM 135° CORNER SGD REINFORCED
HORIZONTAL CROSS SECTION

WinDoor
INCORPORATED

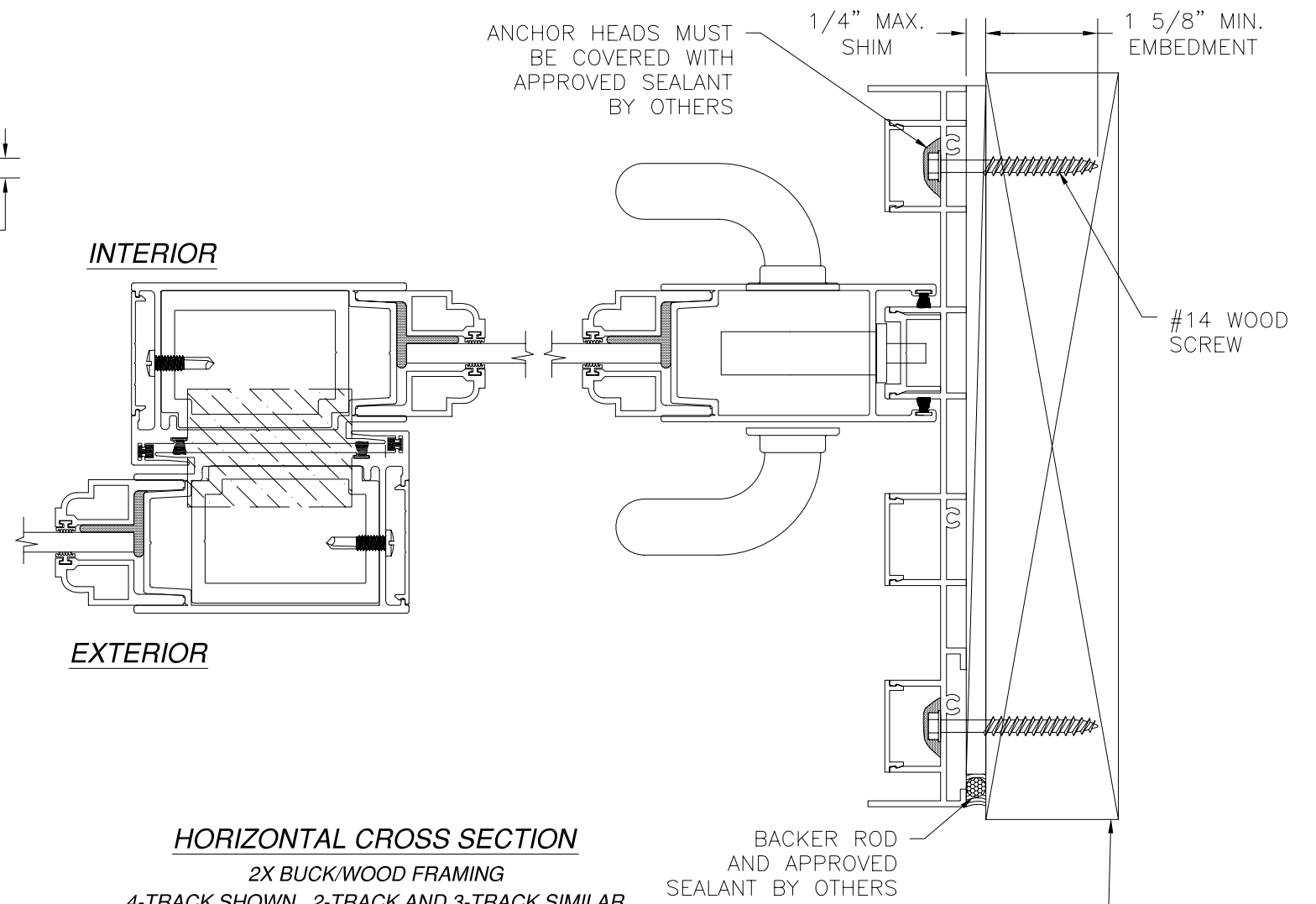
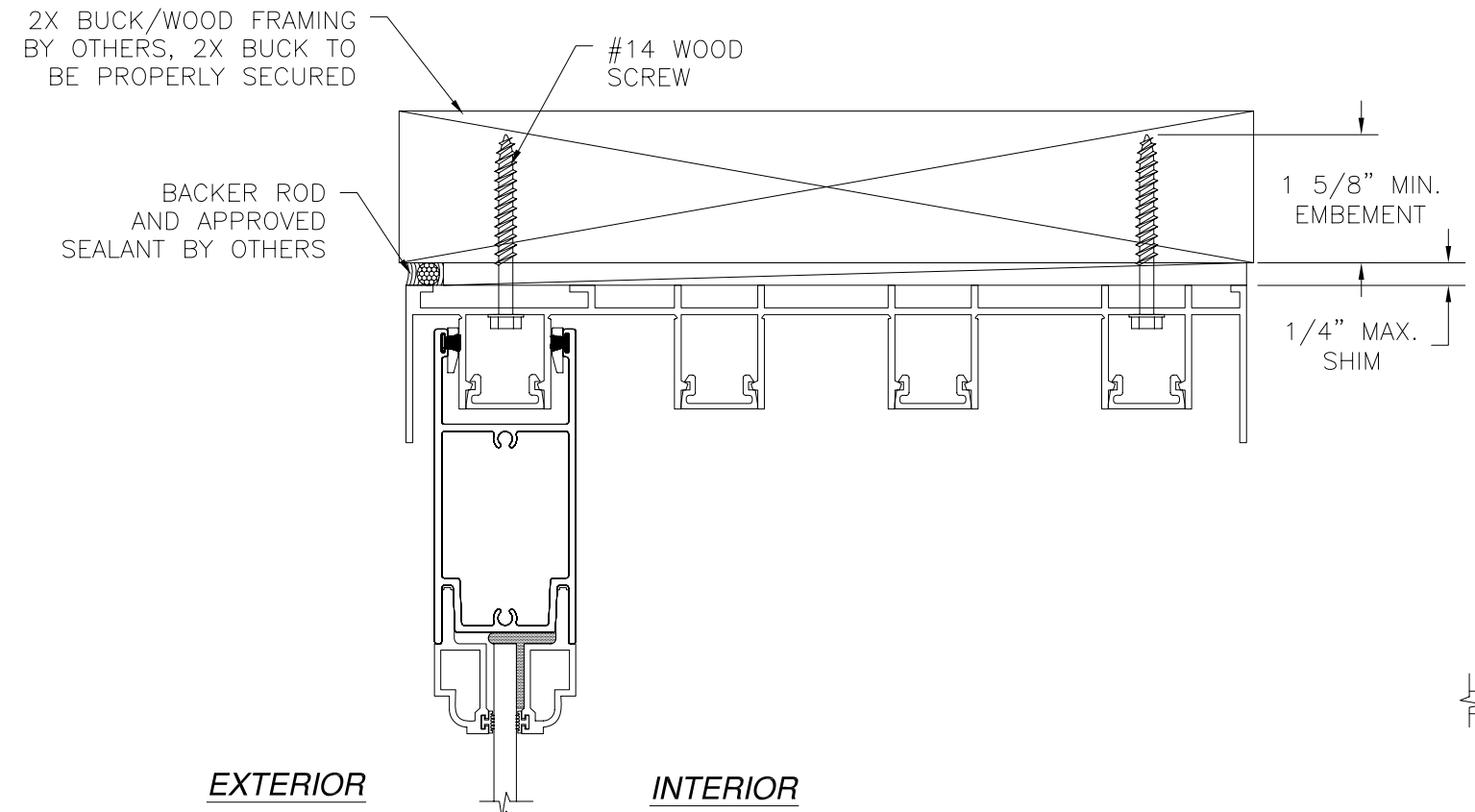
7500 AMSTERDAM DRIVE
ORLANDO, FL 32832
Phone: 407.481.8400
Fax: 407.481.0505 www.windoorinc.com

8100 SERIES ALUMINUM 135° CORNER SGD NON-IMP
REINFORCED & NON-REINFORCED 5'0 x 10'0 PANEL
HORIZONTAL CROSS SECTIONS

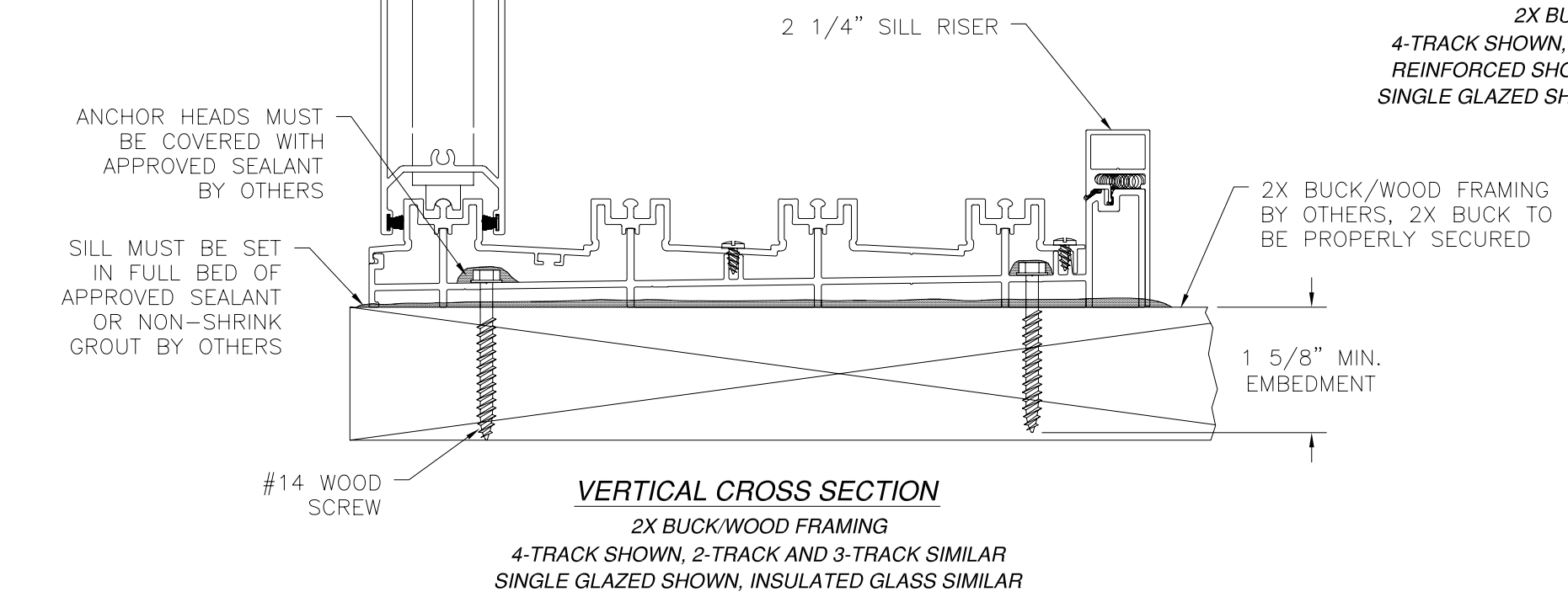
DRAWN: TJH	DWG NO. 08-00864	REV A
SCALE NTS	DATE 09/21/09	SHEET 2 OF 7



REVISIONS			
REV	DESCRIPTION	DATE	APPROVED
A	UPDATED PER TDI COMMENTS	3/3/10	R.L.



HORIZONTAL CROSS SECTION
 2X BUCK/WOOD FRAMING
 4-TRACK SHOWN, 2-TRACK AND 3-TRACK SIMILAR
 REINFORCED SHOWN, NON-REINFORCED SIMILAR
 SINGLE GLAZED SHOWN, INSULATED GLASS SIMILAR



VERTICAL CROSS SECTION
 2X BUCK/WOOD FRAMING
 4-TRACK SHOWN, 2-TRACK AND 3-TRACK SIMILAR
 SINGLE GLAZED SHOWN, INSULATED GLASS SIMILAR

WinDoor
 INCORPORATED

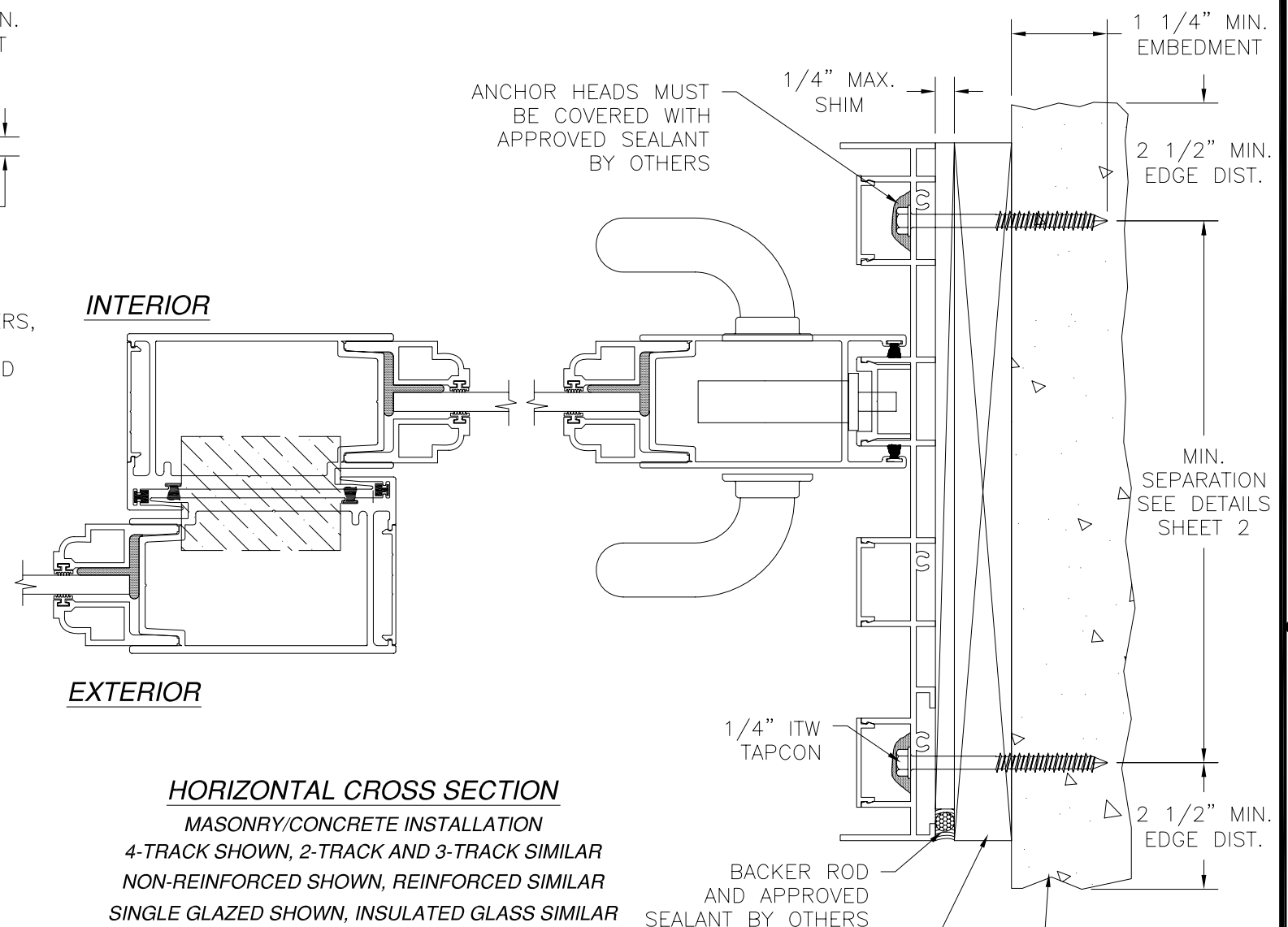
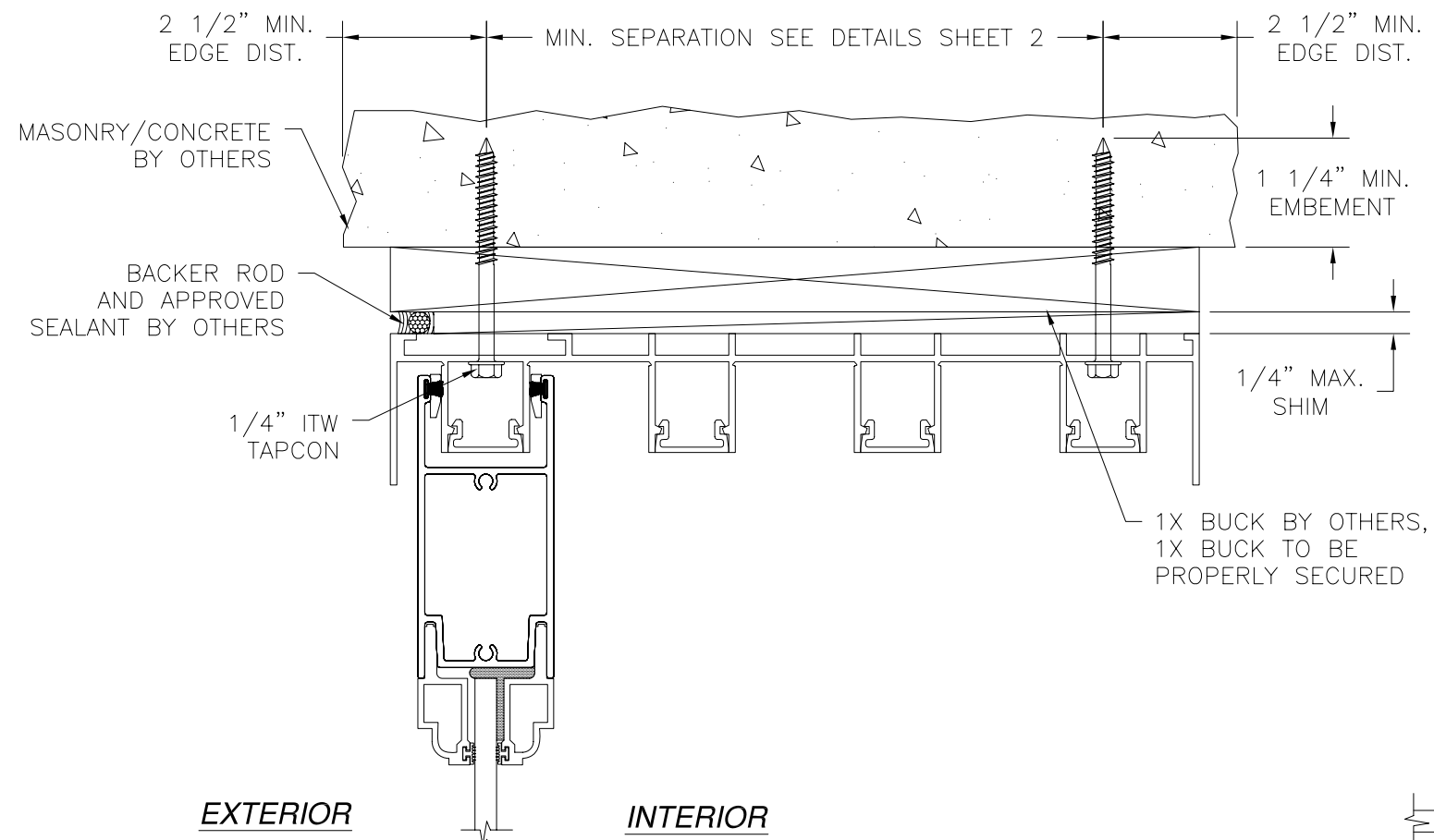
7500 AMSTERDAM DRIVE
 ORLANDO, FL 32832
 Phone: 407.481.8400
 Fax: 407.481.0505
 www.windoorinc.com

8100 SERIES ALUMINUM 135° CORNER SGD NON-IMP REINFORCED & NON-REINFORCED 5'0 x 10'0 PANEL INSTALLATION DETAILS

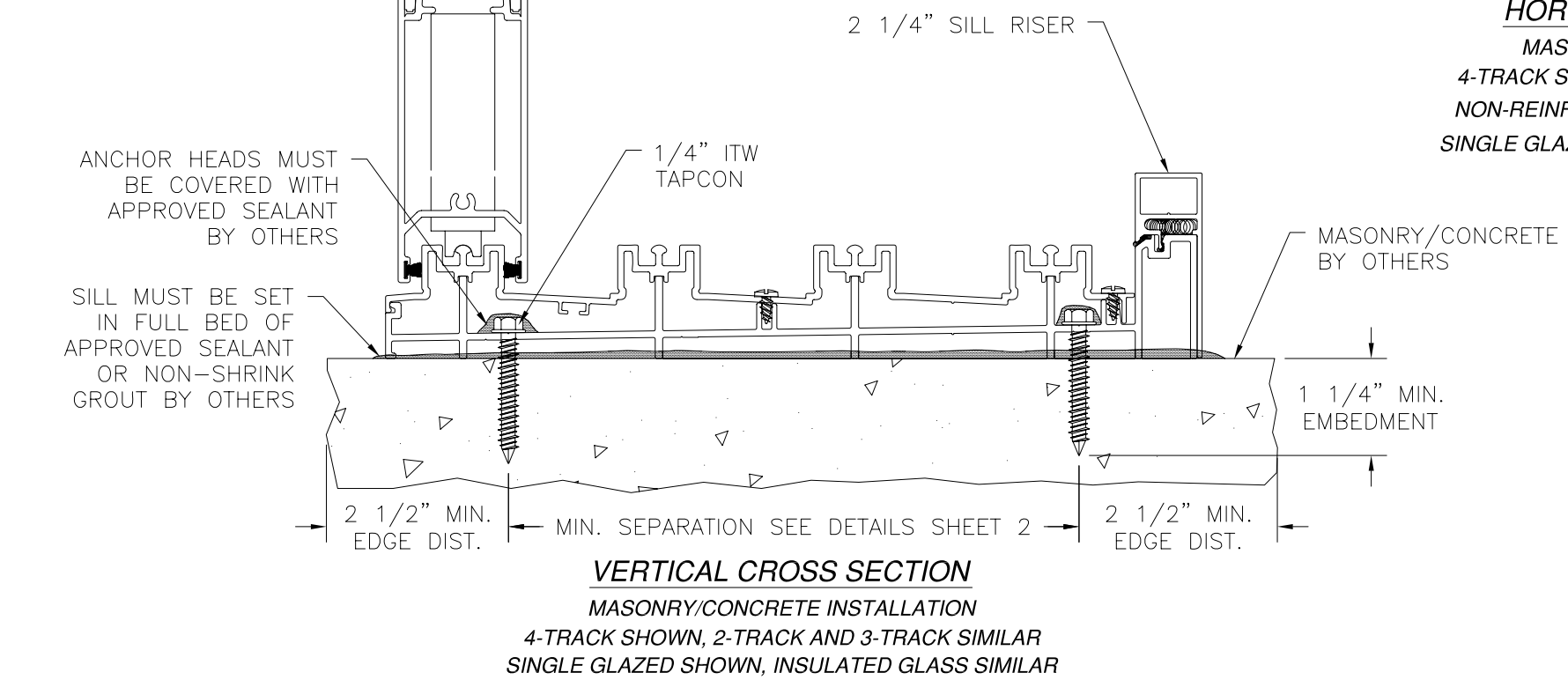
DRAWN: TJH	DWG NO. 08-00864	REV A
SCALE NTS	DATE 09/21/09	SHEET 4 OF 7

Luis R. Lomas P.E.
 Texas No. 101889

REVISIONS			
REV	DESCRIPTION	DATE	APPROVED
A	UPDATED PER TDI COMMENTS	3/3/10	R.L.



HORIZONTAL CROSS SECTION
MASONRY/CONCRETE INSTALLATION
4-TRACK SHOWN, 2-TRACK AND 3-TRACK SIMILAR
NON-REINFORCED SHOWN, REINFORCED SIMILAR
SINGLE GLAZED SHOWN, INSULATED GLASS SIMILAR



VERTICAL CROSS SECTION
MASONRY/CONCRETE INSTALLATION
4-TRACK SHOWN, 2-TRACK AND 3-TRACK SIMILAR
SINGLE GLAZED SHOWN, INSULATED GLASS SIMILAR

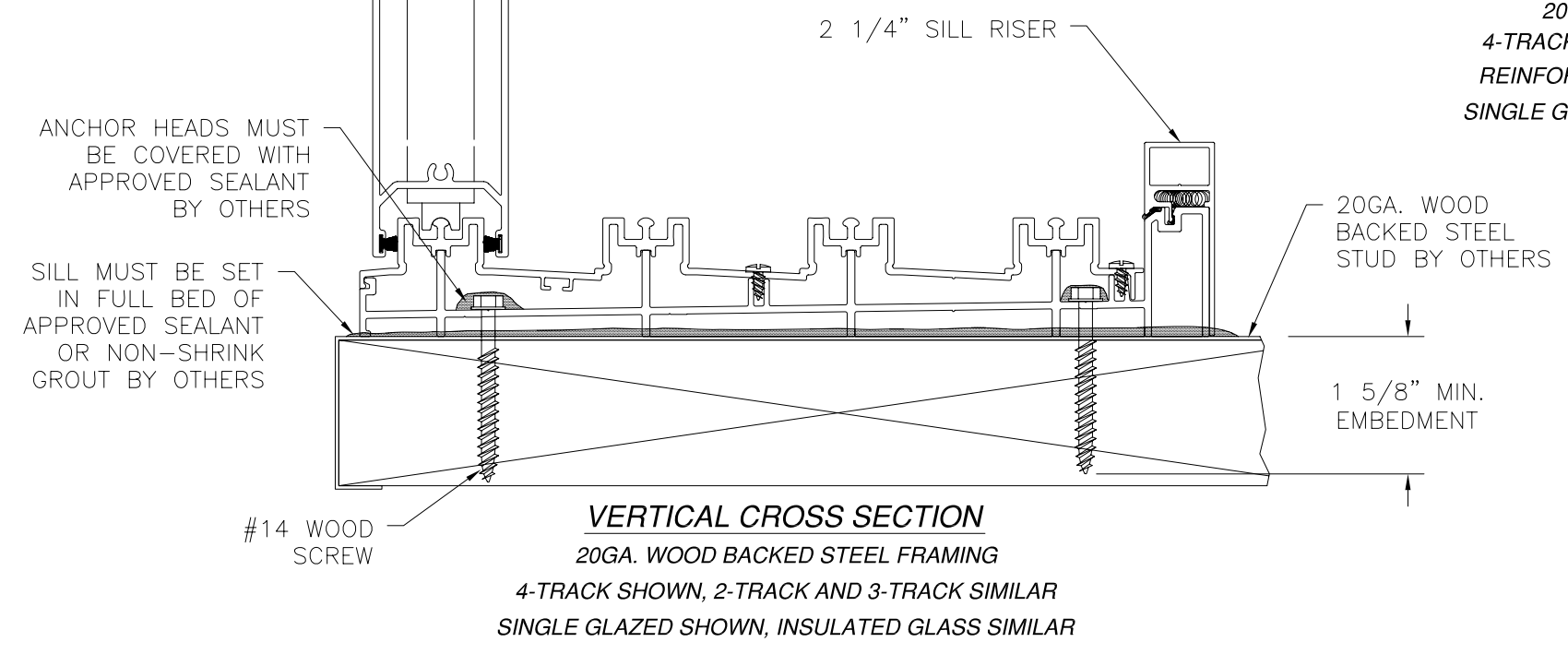
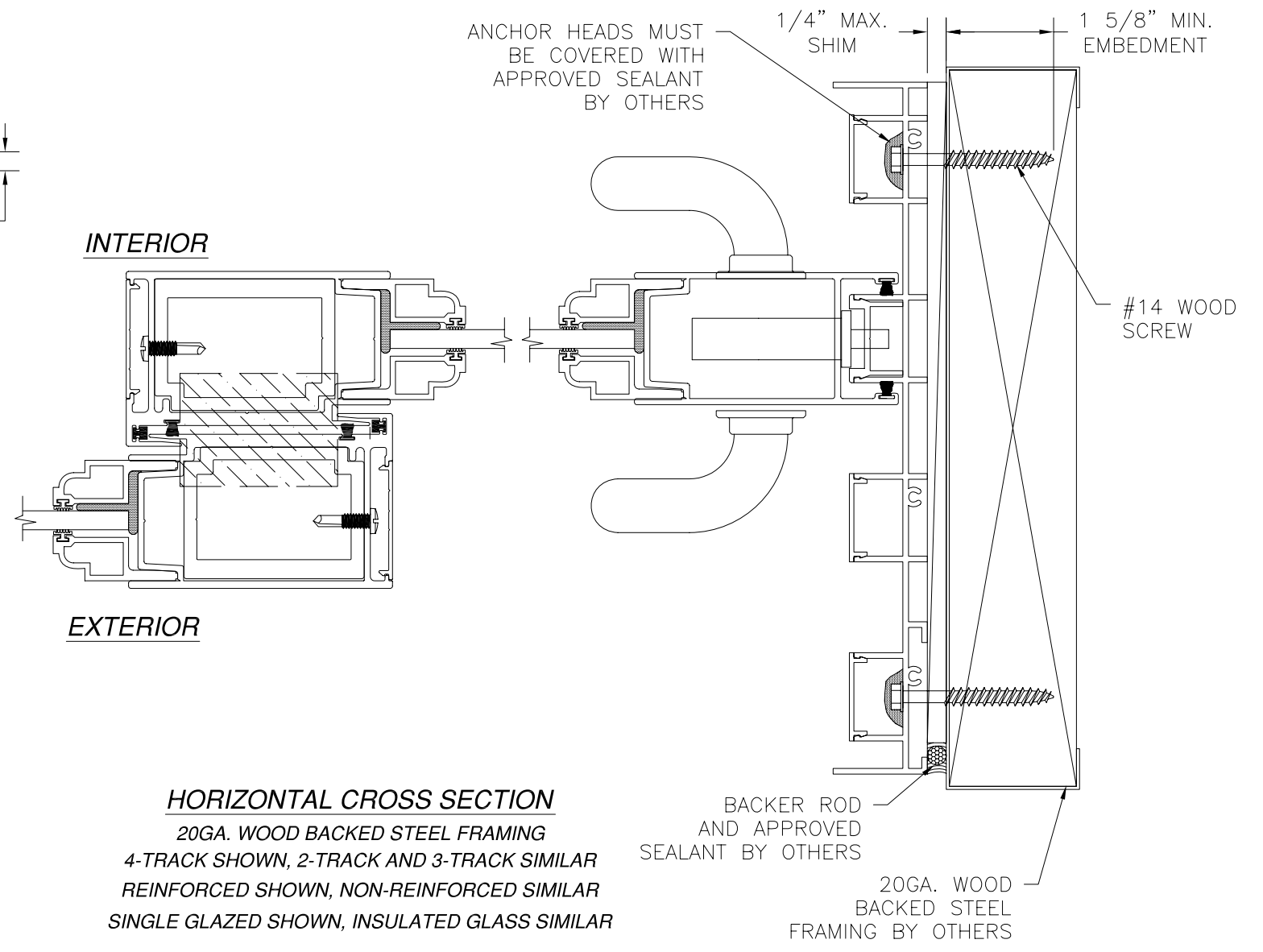
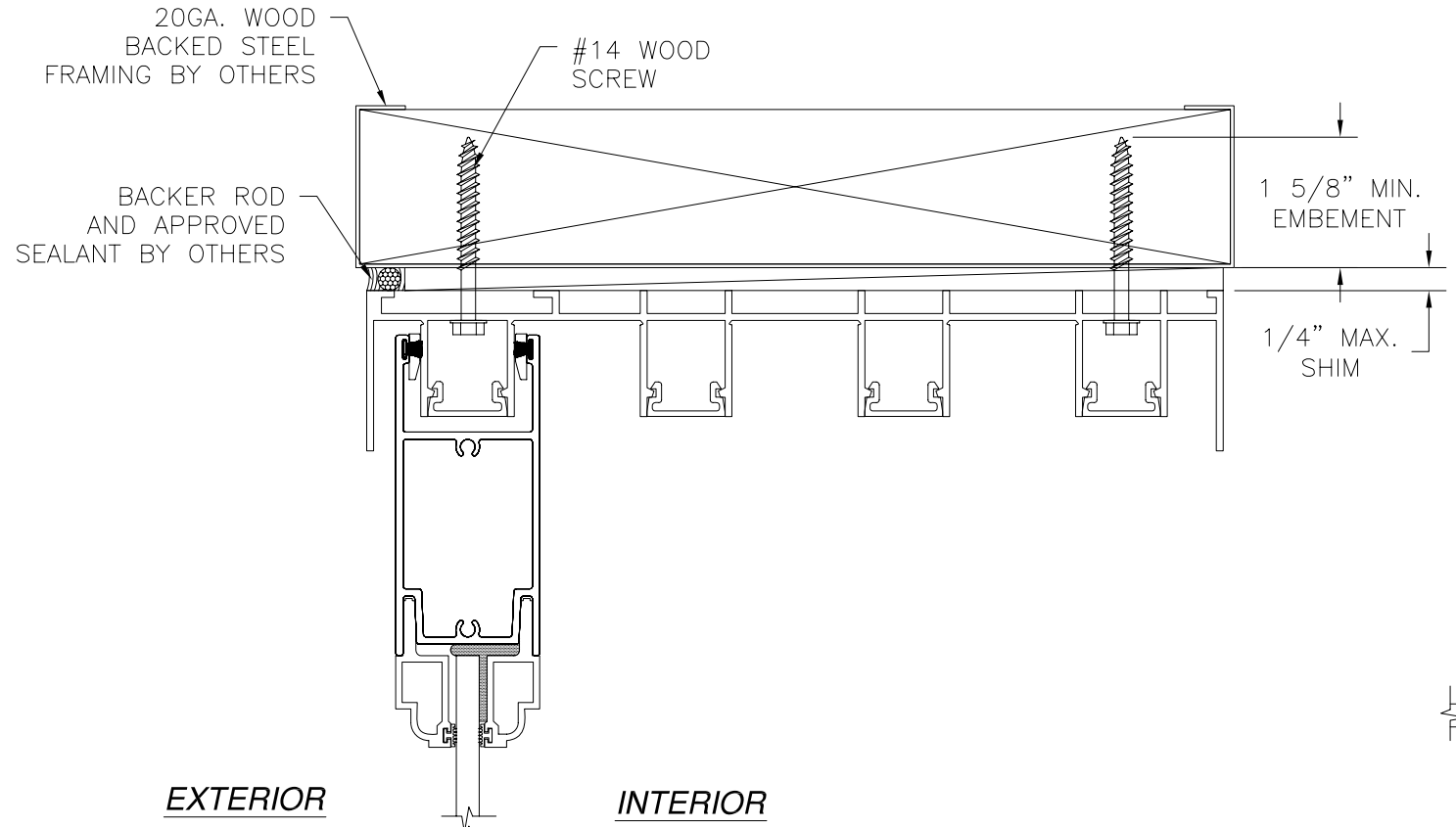
WinDoor INCORPORATED
7500 AMSTERDAM DRIVE
ORLANDO, FL 32832
Phone: 407.481.8400
Fax: 407.481.0505
www.windoorinc.com

8100 SERIES ALUMINUM 135° CORNER SGD NON-IMP REINFORCED & NON-REINFORCED 5'0 x 10'0 PANEL INSTALLATION DETAILS

DRAWN: TJH	DWG NO. 08-00864	REV A
SCALE NTS	DATE 09/21/09	SHEET 5 OF 7

Luis R. Thomas P.E.
Texas No. 101889

REVISIONS			
REV	DESCRIPTION	DATE	APPROVED
A	UPDATED PER TDI COMMENTS	3/3/10	R.L.



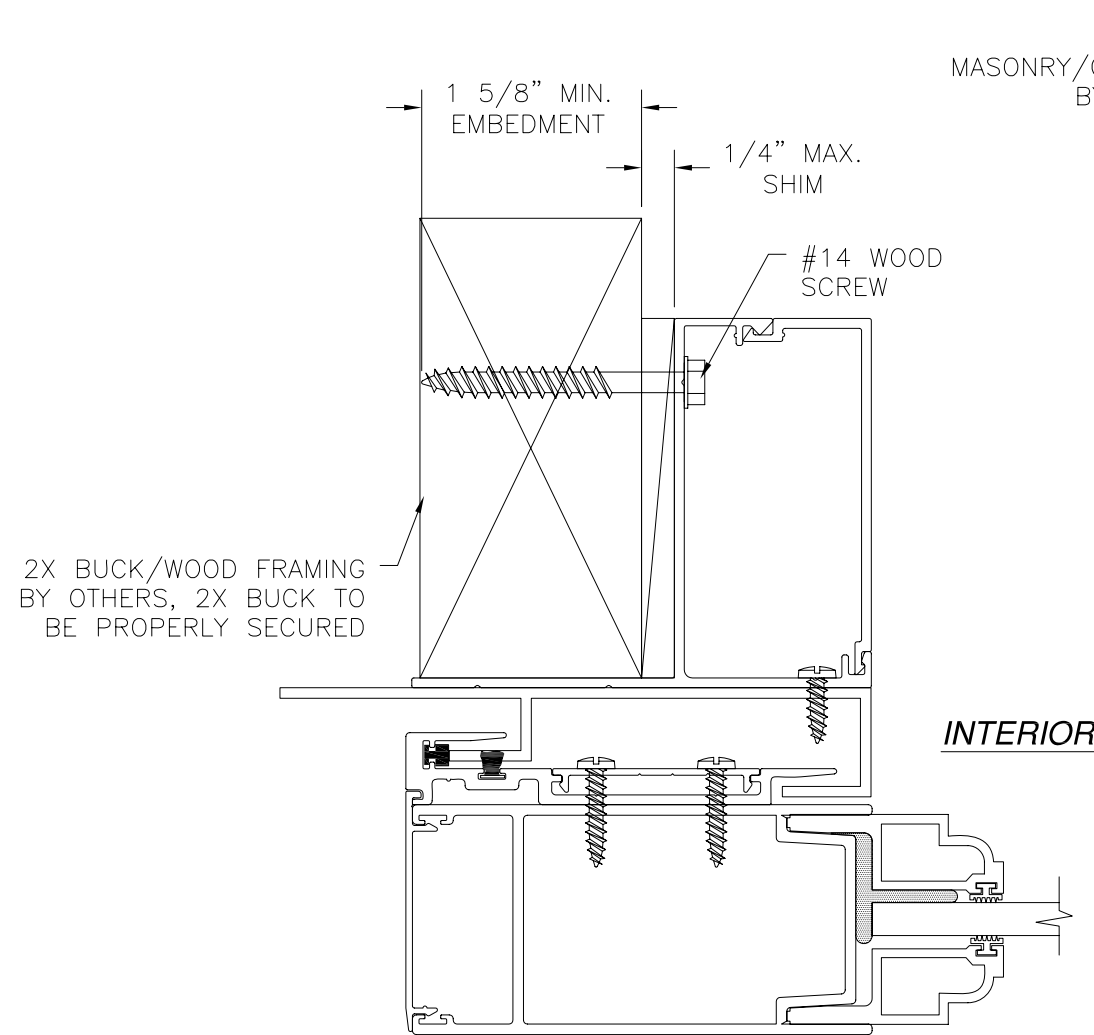
HORIZONTAL CROSS SECTION
 20GA. WOOD BACKED STEEL FRAMING
 4-TRACK SHOWN, 2-TRACK AND 3-TRACK SIMILAR
 REINFORCED SHOWN, NON-REINFORCED SIMILAR
 SINGLE GLAZED SHOWN, INSULATED GLASS SIMILAR

VERTICAL CROSS SECTION
 20GA. WOOD BACKED STEEL FRAMING
 4-TRACK SHOWN, 2-TRACK AND 3-TRACK SIMILAR
 SINGLE GLAZED SHOWN, INSULATED GLASS SIMILAR

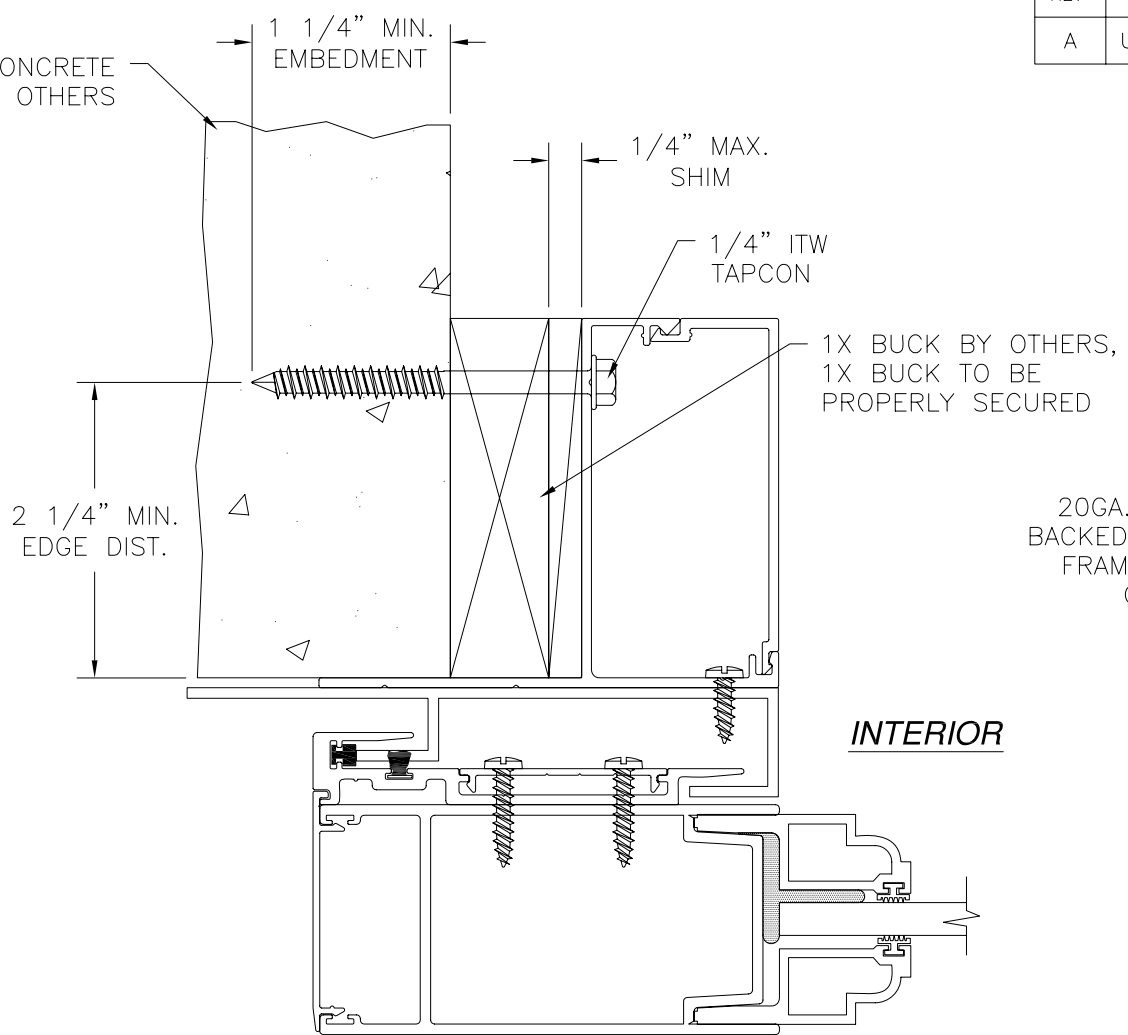
WinDoor INCORPORATED	7500 AMSTERDAM DRIVE	www.windoorinc.com
	ORLANDO, FL 32832	
Phone: 407.481.8400 Fax: 407.481.0505		
8100 SERIES ALUMINUM 135° CORNER SGD NON-IMP REINFORCED & NON-REINFORCED 5'0 x 10'0 PANEL INSTALLATION DETAILS		
DRAWN: TJH	DWG NO. 08-00864	REV A
SCALE NTS	DATE 09/21/09	SHEET 6 OF 7

Luis R. Lomas P.E.
 Texas No. 101889

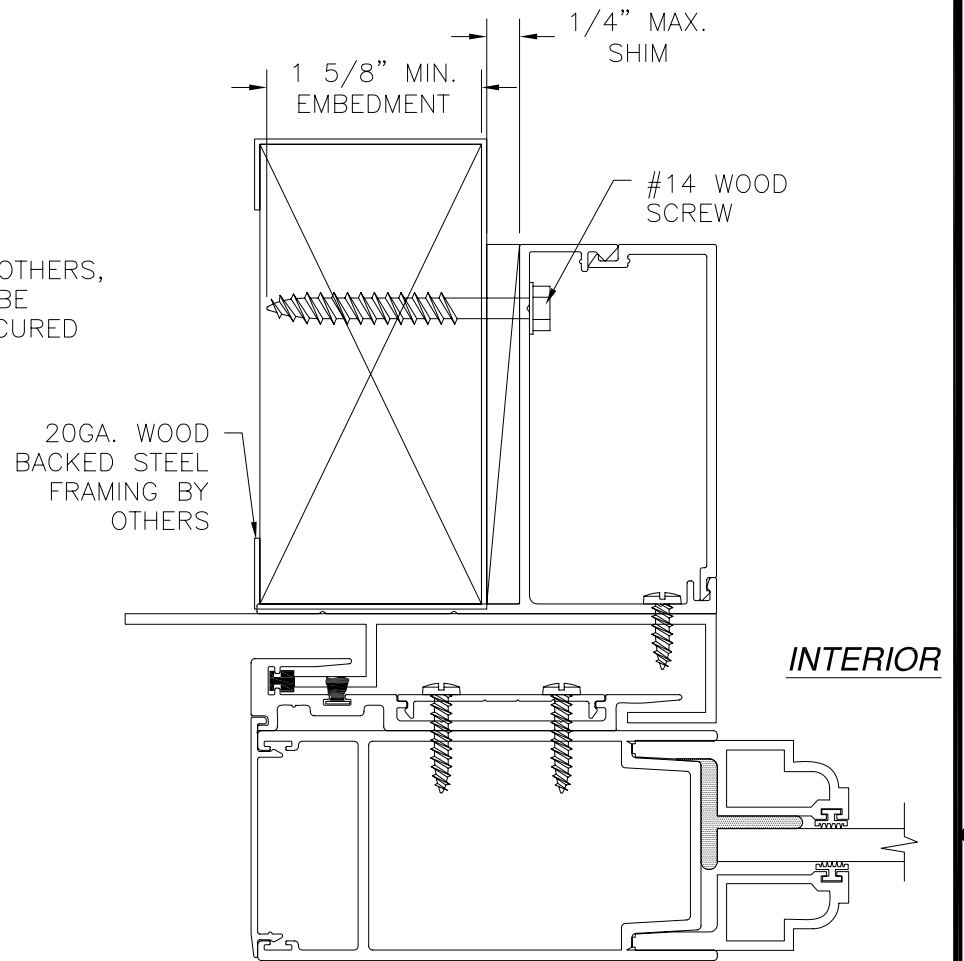
REVISIONS			
REV	DESCRIPTION	DATE	APPROVED
A	UPDATED PER TDI COMMENTS	3/3/10	R.L.



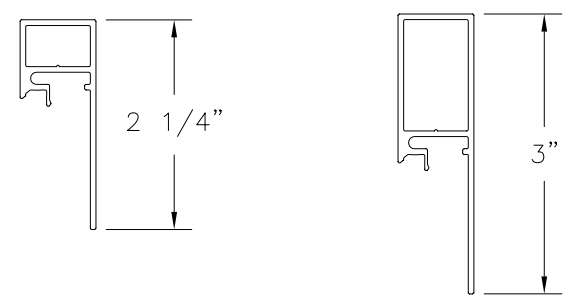
HORIZONTAL CROSS SECTION
HOOK STRIP INSTALLATION
2X BUCK/WOOD FRAMING
 EXTERIOR POCKET SHOWN, INTERIOR POCKET SIMILAR



HORIZONTAL CROSS SECTION
HOOK STRIP INSTALLATION
MASONRY/CONCRETE INSTALLATION
 EXTERIOR POCKET SHOWN, INTERIOR POCKET SIMILAR



HORIZONTAL CROSS SECTION
HOOK STRIP INSTALLATION
20GA. WOOD BACKED STEEL FRAMING
 EXTERIOR POCKET SHOWN, INTERIOR POCKET SIMILAR



SILL RISERS
 SEE NOTE 13 ON SHEET 1

WinDoor
 INCORPORATED

7500 AMSTERDAM DRIVE
 ORLANDO, FL 32832
 Phone: 407.481.8400
 Fax: 407.481.0505
 www.windoorinc.com

8100 SERIES ALUMINUM 135° CORNER SGD NON-IMP
 REINFORCED & NON-REINFORCED 5'0 x 10'0 PANEL
 INSTALLATION DETAILS

DRAWN: TJH	DWG NO. 08-00864	REV A
SCALE NTS	DATE 09/21/09	SHEET 7 OF 7

Luis R. Lomas P.E.
 Texas No. 101889