

THERMA TRU®

118 INDUSTRIAL DR., EDGERTON, OH 43517
TEL. (419)298-1740

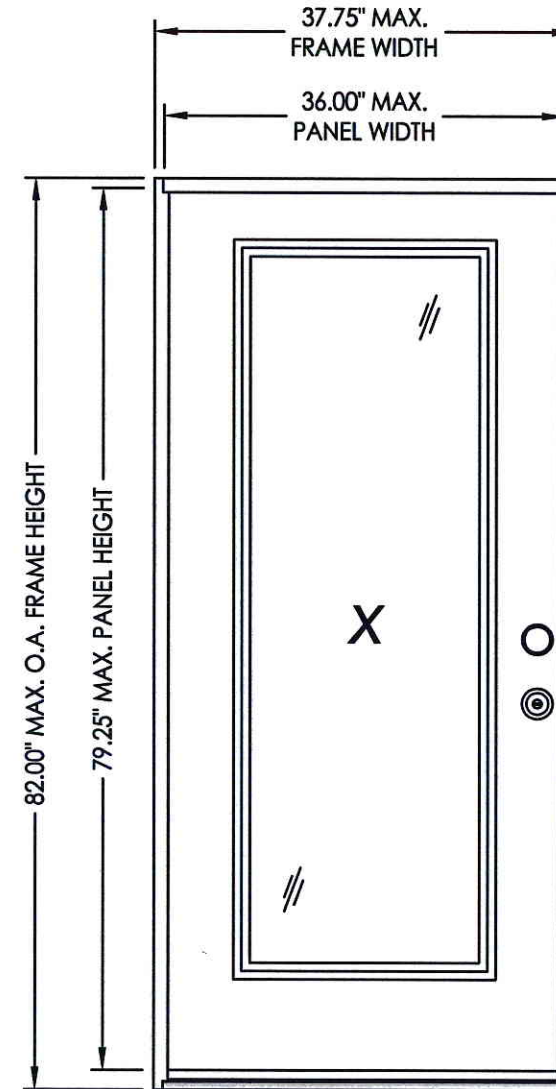
"SMOOTH STAR", "FIBER CLASSIC", "CLASSIC CRAFT" & "CLASSIC CRAFT RUSTIC" GLAZED FIBERGLASS DOOR IN SWING / OUT SWING "IMPACT"

EVALUATED FOR USE IN THE STATE OF TEXAS

The Fiberglass Glazed Door described herein complies with the 2006 International Residential Code (IRC), Sections R301 & R613 and the 2006 International Building Code (IBC), Sections 1405.12, 1609, 1714.5, 2403 and 2404 (including Texas revisions) subject to the following conditions:

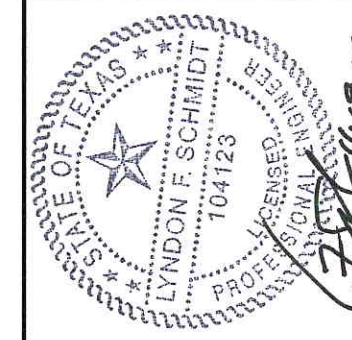
1. Anchors shall be as listed and spaced as shown in the details. Anchor embedment to base material shall be beyond wall dressing or stucco.
2. This system has been tested and evaluated as a large missile impact protective system for installation in the Seaward, Inland I and Inland II areas. This product meets missile level "D" as defined in ASTM E 1996.
3. Allowable design pressure requirements must be equal to or less than the design pressure rating shown in the design pressure chart, sheet 1 of this drawing.
4. Conditions not covered by this drawing are subject to further engineering analysis.

TABLE OF CONTENTS	
SHEET #	DESCRIPTION
1	TYPICAL ELEVATION, DESIGN PRESSURES & GENERAL NOTES
2	"SMOOTH STAR" DOOR PANEL DETAILS
3	"CLASSIC CRAFT" & "CLASSIC CRAFT RUSTIC" DOOR PANEL DETAILS
4	"FIBER CLASSIC" DOOR PANEL DETAILS
5	HORIZONTAL CROSS SECTIONS
6	VERTICAL CROSS SECTIONS
7	FRAME ANCHORING
8	BILL OF MATERIALS & COMPONENTS



"SMOOTH STAR", "FIBER CLASSIC"
"CLASSIC CRAFT" & "CLASSIC CRAFT RUSTIC"

SWING	OVERALL FRAME DIMENSION	OVERALL D.L.O. DIMENSION	DESIGN PRESSURE (PSF)	
			POSITIVE	NEGATIVE
IN SWING	37.75" X 82.00"	21.00" X 63.25"	+47.0	-53.0
OUT SWING	37.75" X 80.62"	21.00" X 63.25"	+50.0	-50.0



Documents Prepared By: Lyndon F. Schmidt, P.E.
TEXAS P.E. #104123

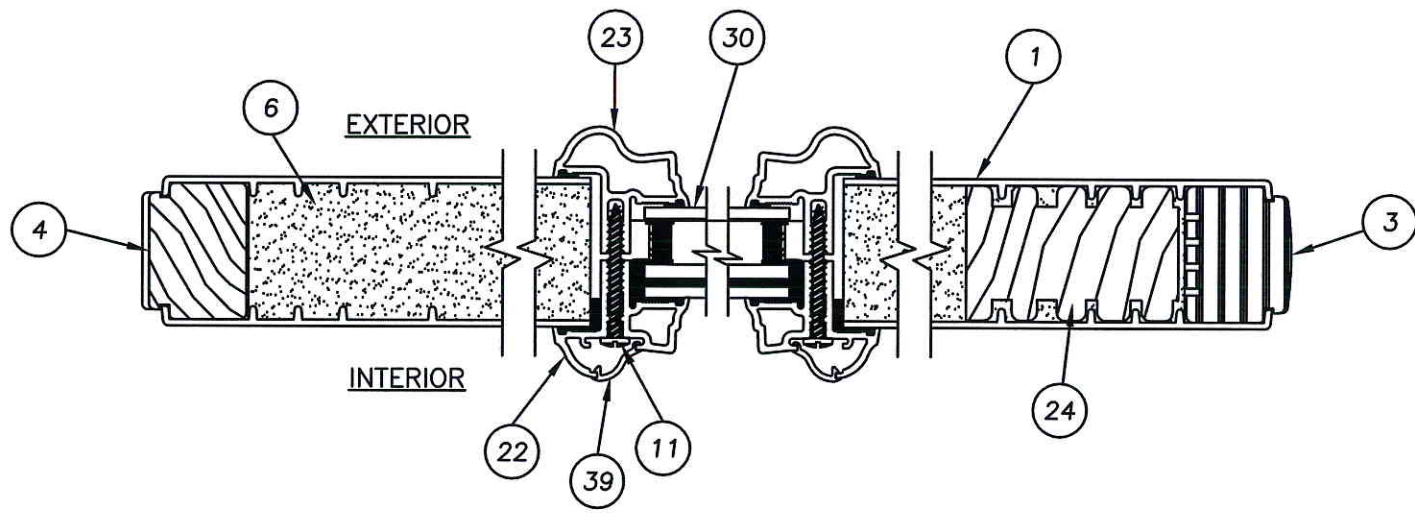
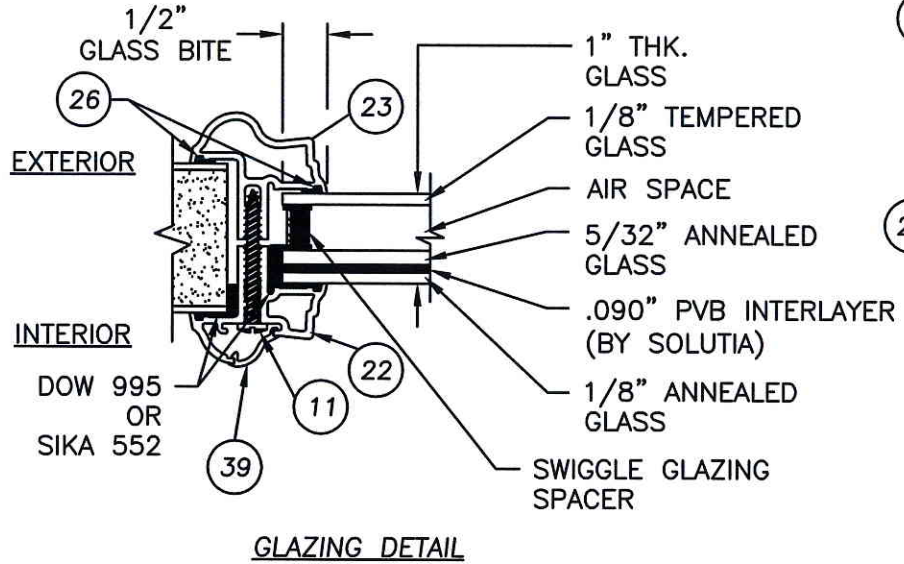
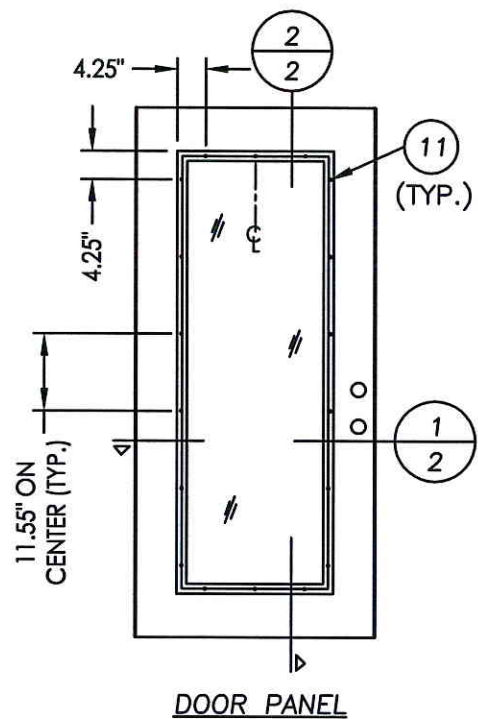
RW BUILDING CONSULTANTS, INC.
P.O. Box 230 Valrico FL 33595
Phone No.: 813.659.9197

TEXAS BOARD OF PROFESSIONAL ENGINEERS
CERTIFICATE OF REGISTRATION # F-11852

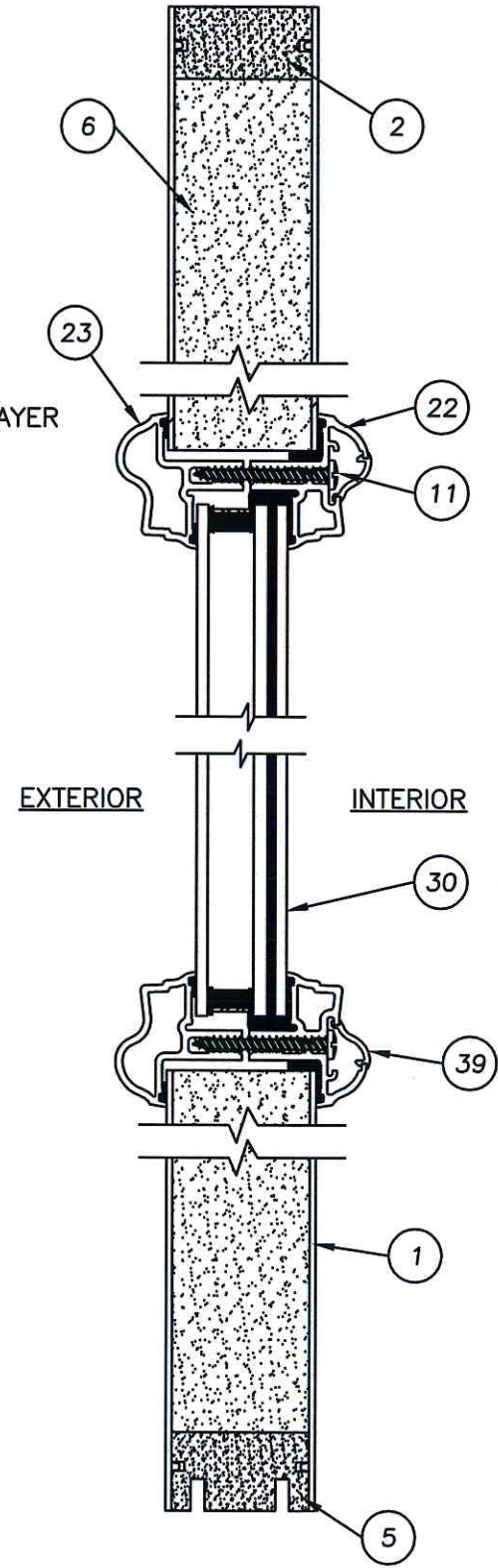
PRODUCT: THERMA-TRU
GLAZED FIBERGLASS DOOR
IN/OUTSWING "IMPACT"
PART OR ASSEMBLY:
TYPICAL ELEVATION, DESIGN
PRESSURES & GENERAL NOTES

NO.	DATE	BY	REVISIONS

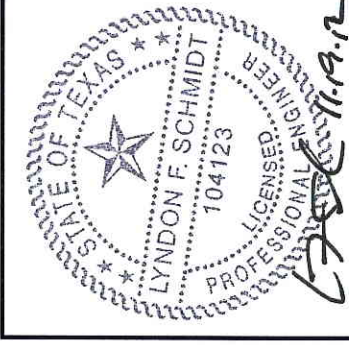
DATE: 7/17/12
SCALE: N.T.S.
DWG. BY: JK
CHK. BY: LFS
DRAWING NO.:
TX-4190
SHEET 1 OF 8



1 HORIZONTAL CROSS SECTION
2 DOOR PANEL



2 VERTICAL CROSS SECTION
2 DOOR PANEL



Documents Prepared By: Lyndon F. Schmidt, P.E.
TEXAS P.E. #104123

RW BUILDING CONSULTANTS, INC.
P.O. Box 230 Valrico FL 33595
Phone No.: 813.659.9197

TEXAS BOARD OF PROFESSIONAL ENGINEERS
CERTIFICATE OF REGISTRATION # F-11852

PRODUCT: THERMA-TRU GLAZED FIBERGLASS DOOR IN/OUTSWING "IMPACT"

PART OR ASSEMBLY: "SMOOTH STAR" DOOR PANEL DETAILS

NO.	DATE	REVISIONS	BY

DATE: 7/17/12

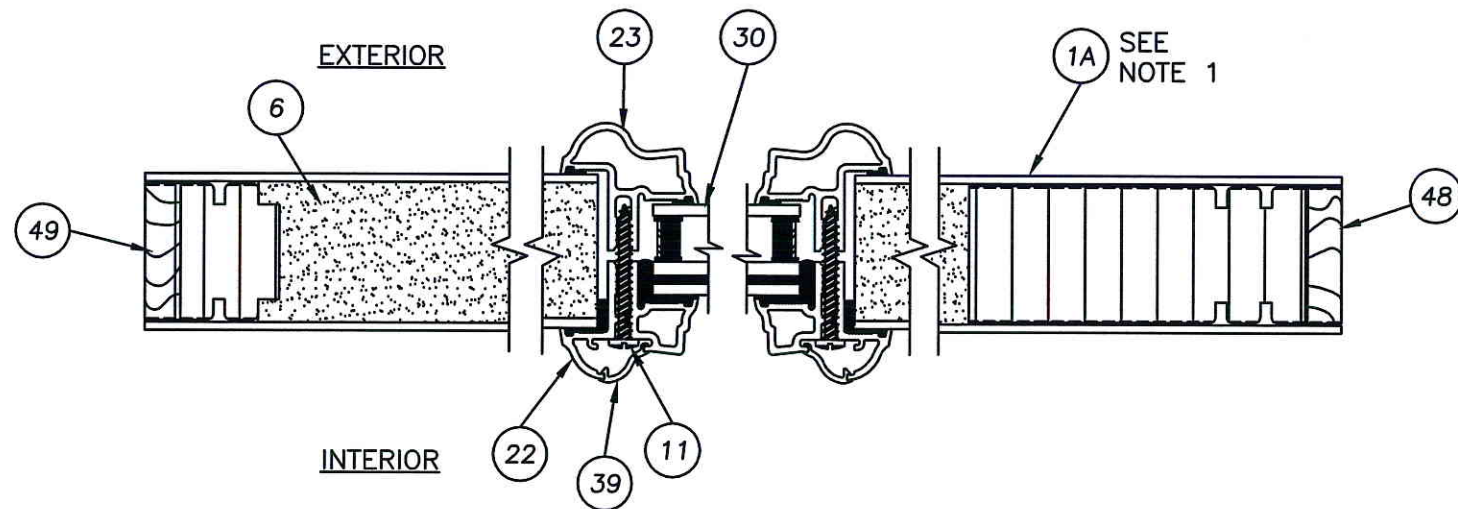
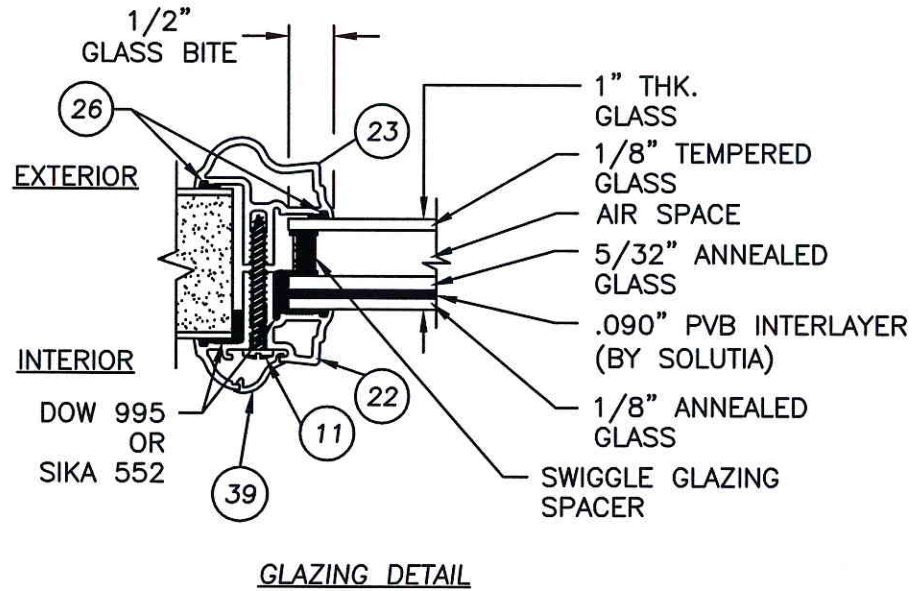
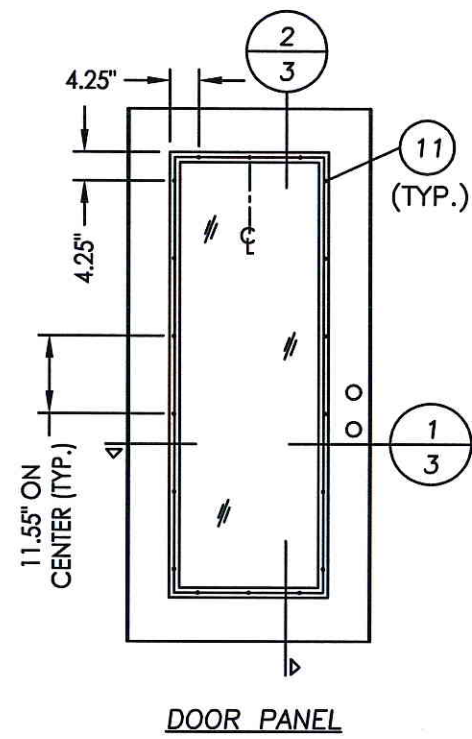
SCALE: N.T.S.

DWG. BY: JK

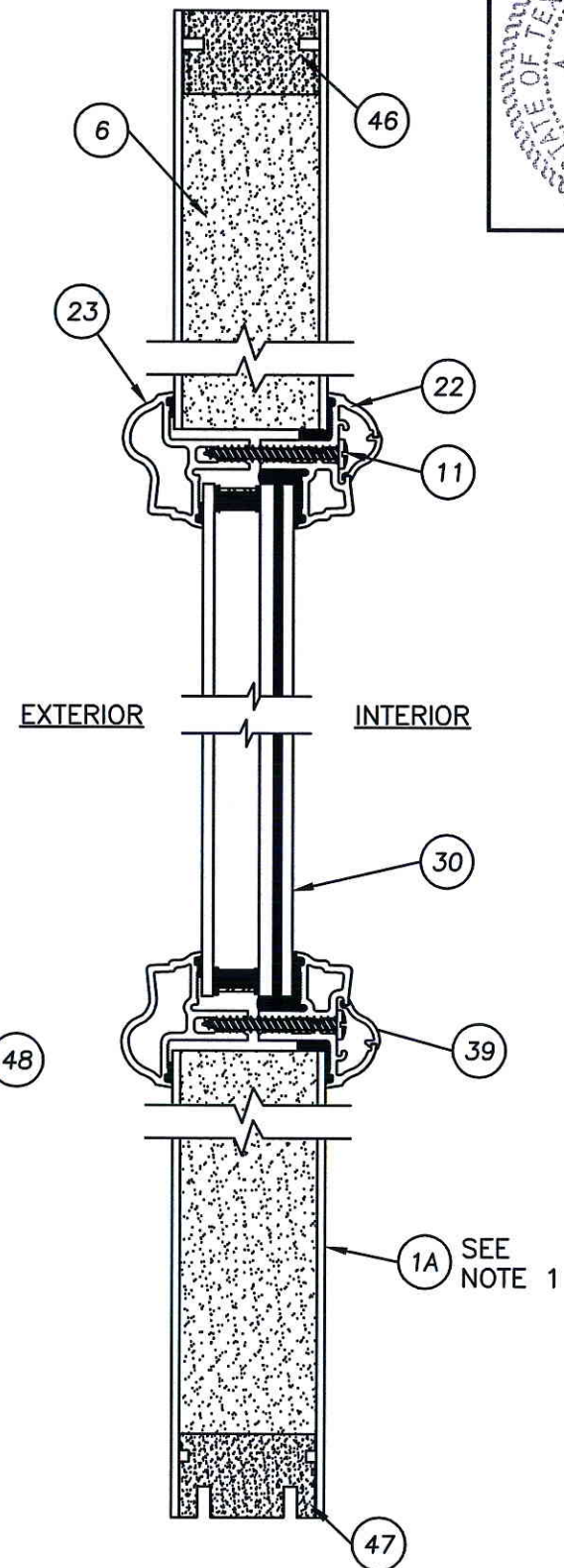
CHK. BY: LFS

DRAWING NO.: TX-4190

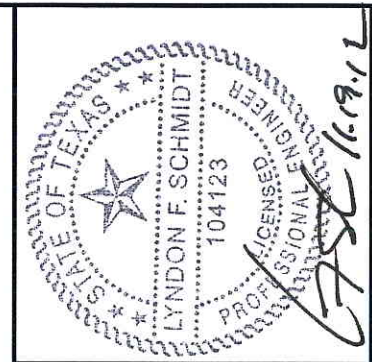
SHEET 2 OF 8



1 HORIZONTAL CROSS SECTION
3 DOOR PANEL



2 VERTICAL CROSS SECTION
3 DOOR PANEL



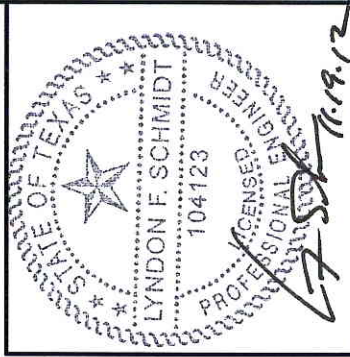
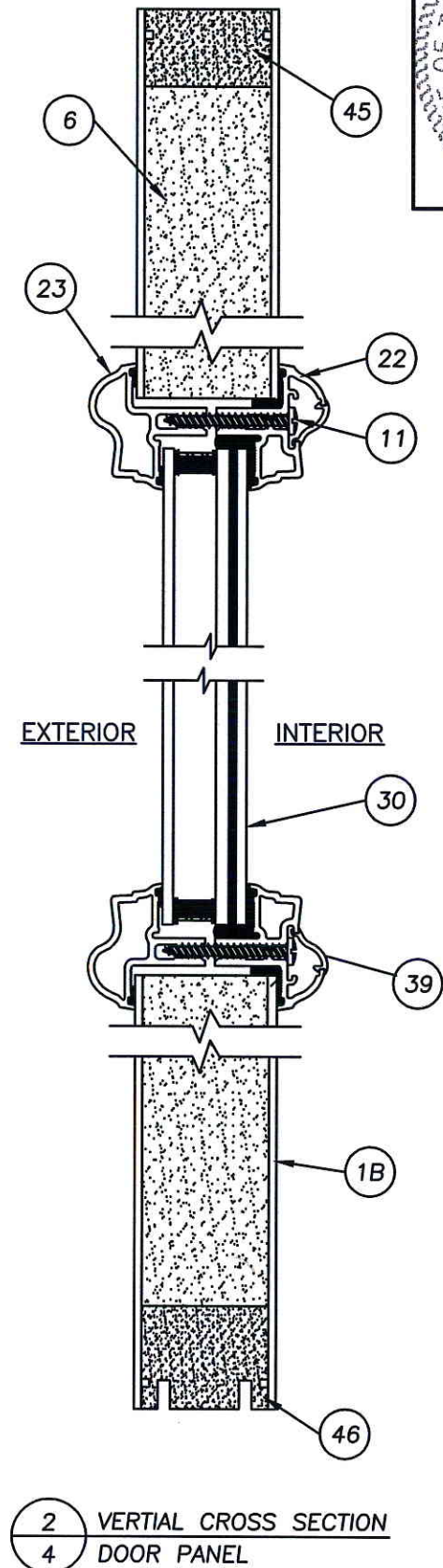
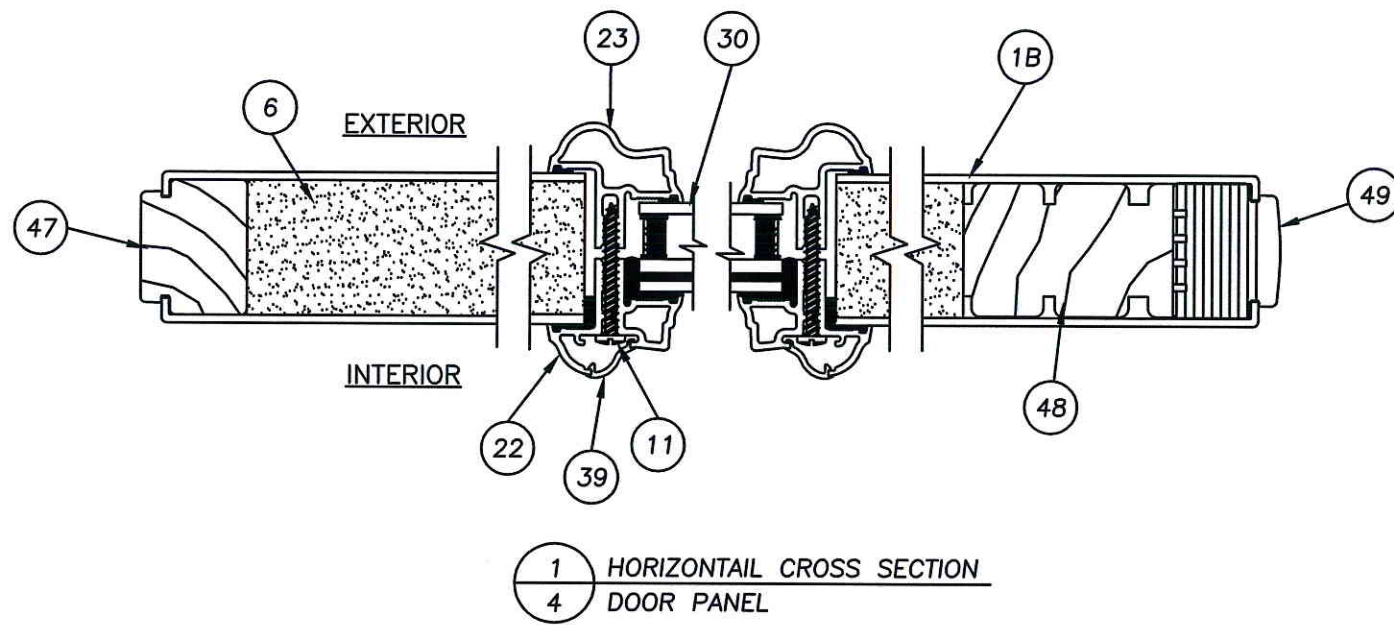
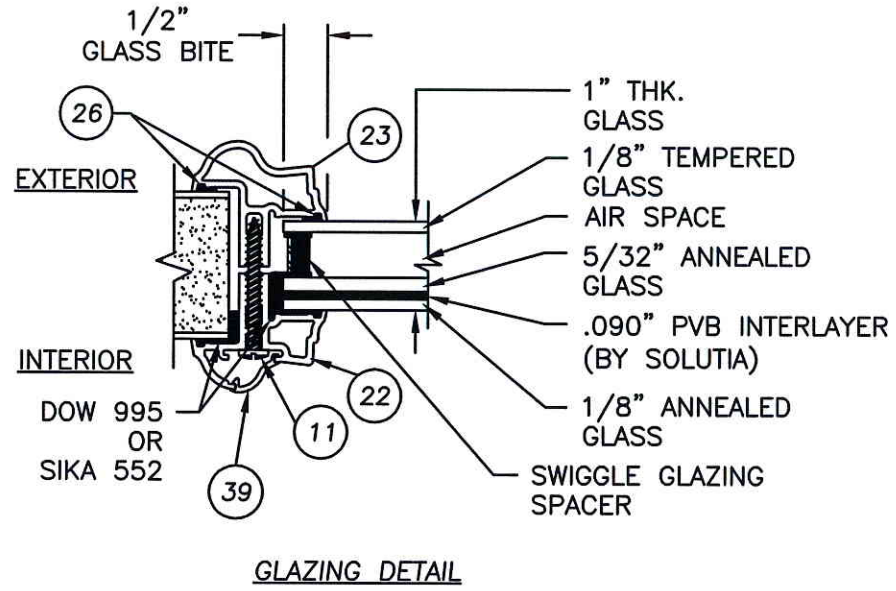
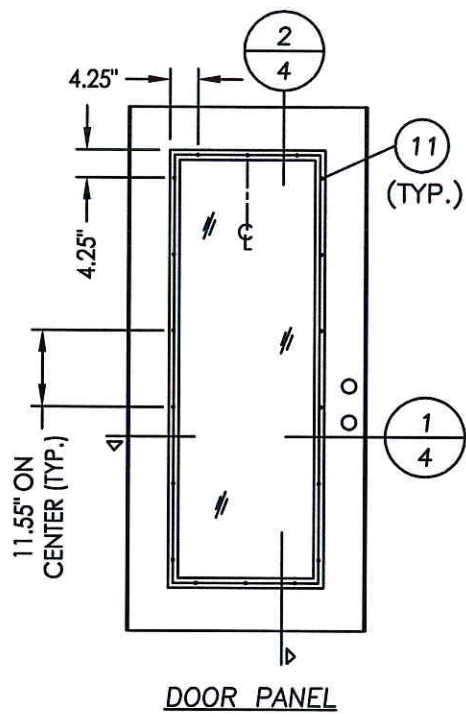
Documents Prepared By: Lyndon F. Schmidt, P.E.
TEXAS P.E. # 104123

RW BUILDING CONSULTANTS, INC.
P.O. Box 230 Valrico FL 33595
Phone No.: 813.659.9197

TEXAS BOARD OF PROFESSIONAL ENGINEERS
CERTIFICATE OF REGISTRATION # F-11852

PRODUCT: THERMA-TRU GLAZED FIBERGLASS DOOR IN/OUTSWING IMPACT			
PART OR ASSEMBLY: "CLASSIC CRAFT" & "C.C. RUSTIC" DOOR PANEL DETAILS			
NO.	DATE	BY	REVISIONS
DATE: 7/17/12		SCALE: N.T.S.	
DWG. BY: JK		CHK. BY: LFS	
DRAWING NO.: TX-4190			
SHEET 3 OF 8			

R:\A - Projects\Project Folders\Proj 1101 - 1200\pf1105\D. RWBC Drawings\TX-2012\TX-4190-94.dwg, 0.4



Documents Prepared By: Lyndon F. Schmidt, P.E.
TEXAS P.E. #104123

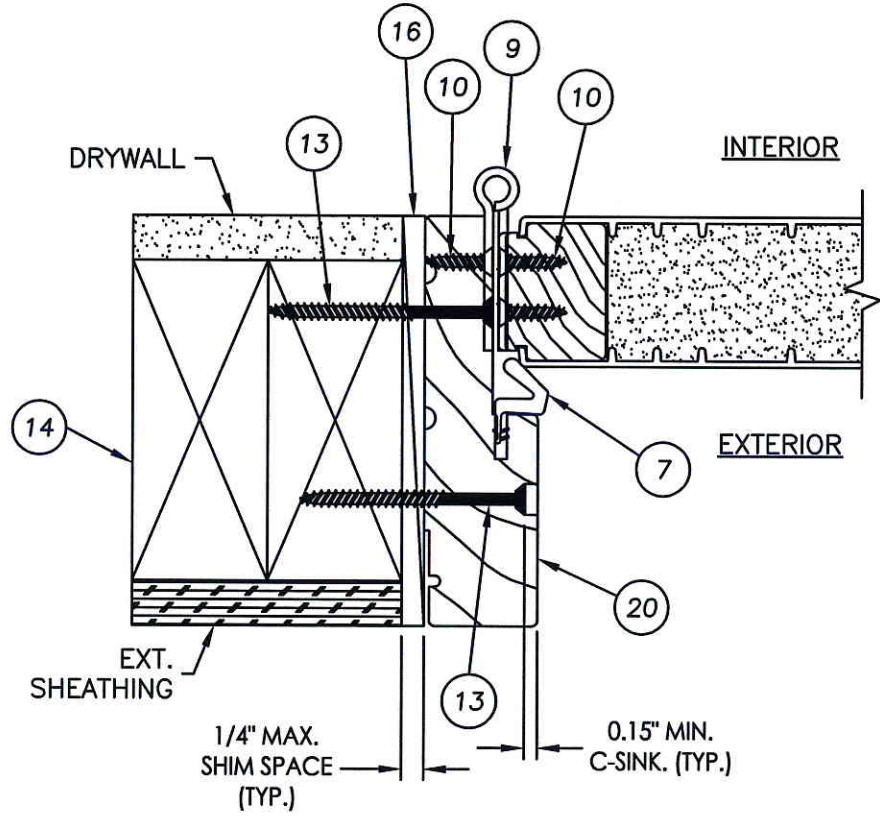
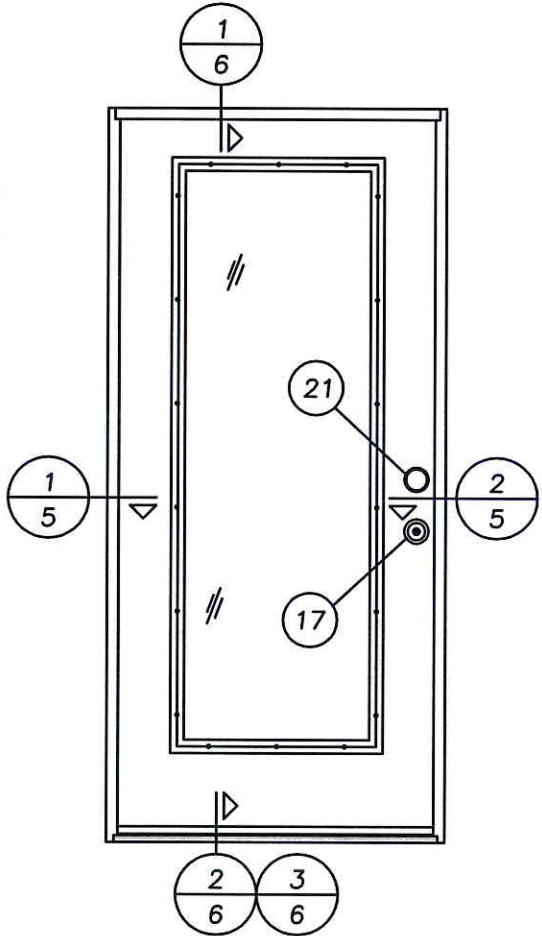
RW BUILDING CONSULTANTS, INC.
P.O. Box 230 Valrico FL 33595
Phone No.: 813.659.9197

TEXAS BOARD OF PROFESSIONAL ENGINEERS
CERTIFICATE OF REGISTRATION # F-11852

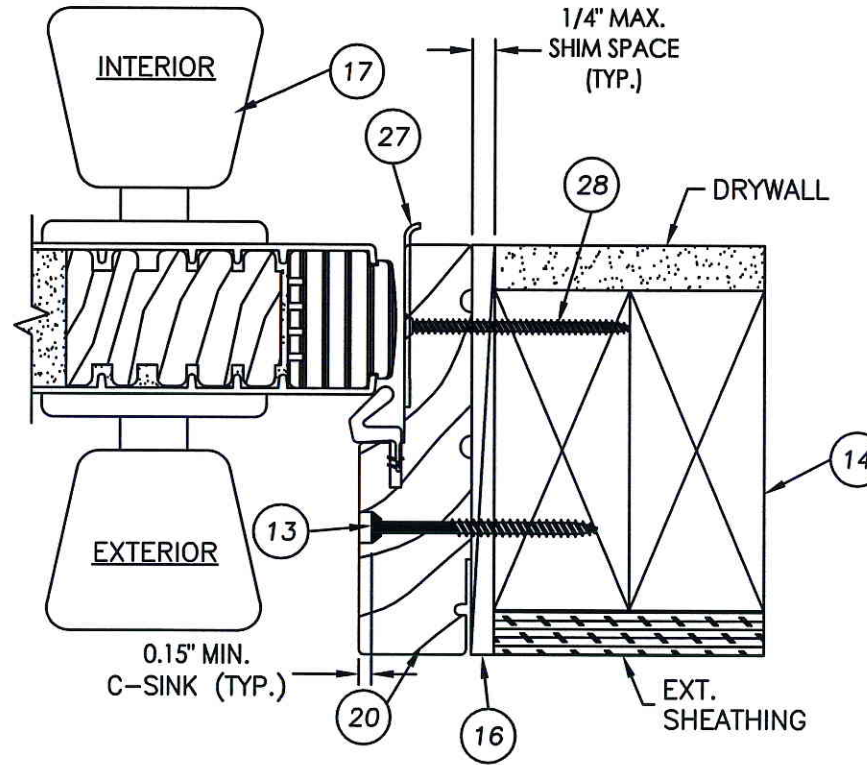
PRODUCT:		THERMA-TRU GLAZED FIBERGLASS DOOR IN/OUTSWING "IMPACT"	
PART OR ASSEMBLY:		"FIBER CLASSIC" DOOR PANEL DETAILS	
NO.	DATE	BY	
		REVISIONS	
DATE: 7/17/12			
SCALE: N.T.S.			
DWG. BY: JK			
CHK. BY: LFS			
DRAWING NO.: TX-4190			
SHEET 4 OF 8			

© 2012 R.W. BUILDING CONSULTANTS INC.

R:\A - Projects\Project Folders\Proj 1101 - 1200\pf1105\105\DWG\Drawings\TX-2012\TX-4190-94.dwg, 0.5



1 HORIZONTAL CROSS SECTION
 5 INSWING SHOWN (OUTSWING ALSO APPROVED)
 ("SMOOTH STAR SERIES" SHOWN)



2 HORIZONTAL CROSS SECTION
 5 INSWING SHOWN (OUTSWING ALSO APPROVED)
 ("SMOOTH STAR SERIES" SHOWN)



Documents Prepared By: Lyndon F. Schmidt, P.E.
 TEXAS P.E. #104123

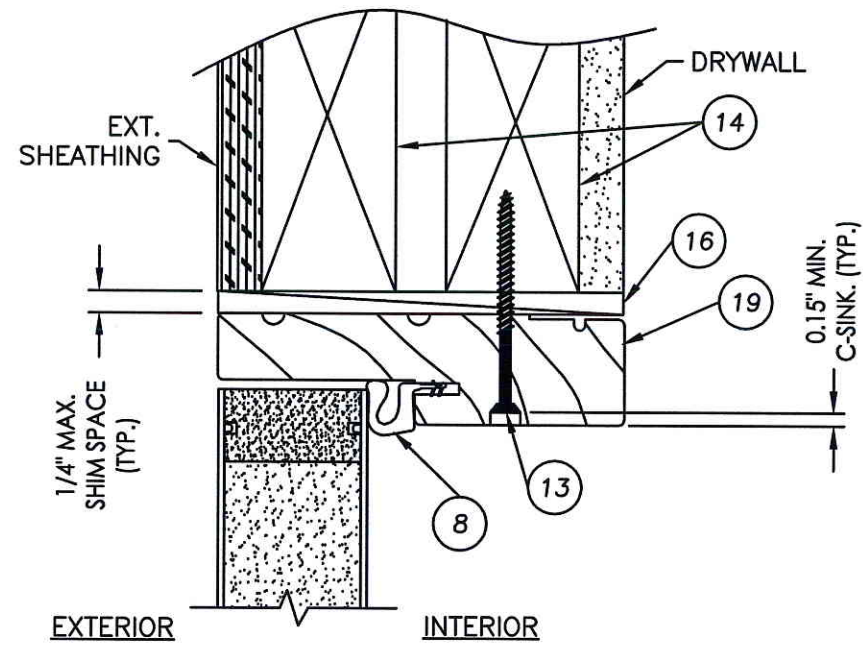
RW BUILDING CONSULTANTS, INC.
 P.O. Box 230 Valrico FL 33595
 Phone No.: 813.659.9197

TEXAS BOARD OF PROFESSIONAL ENGINEERS
 CERTIFICATE OF REGISTRATION # F-11852

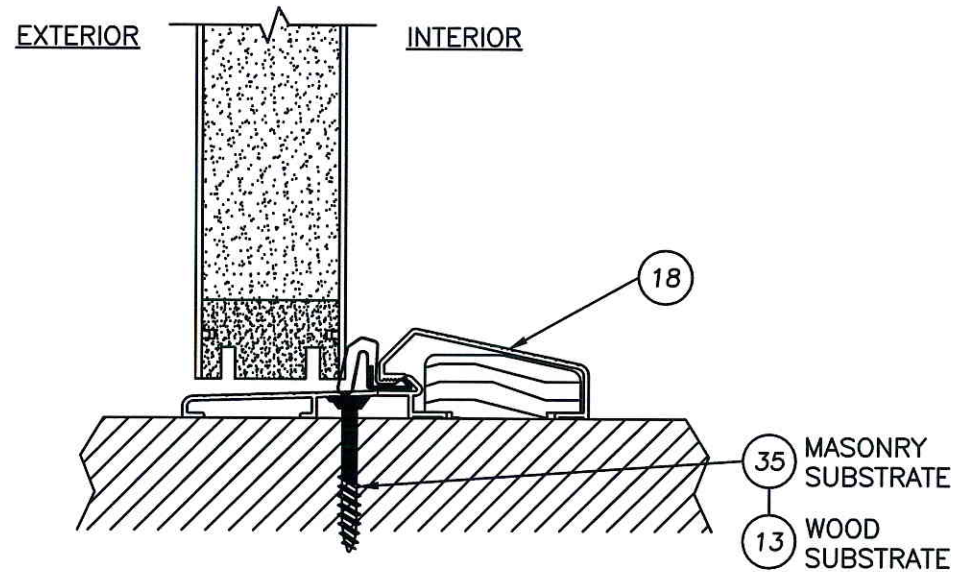
PRODUCT: THERMA-TRU
 GLAZED FIBERGLASS DOOR
 IN/OUTSWING IMPACT
 PART OR ASSEMBLY:
 HORIZONTAL
 CROSS SECTIONS

NO.	DATE	BY	REVISIONS

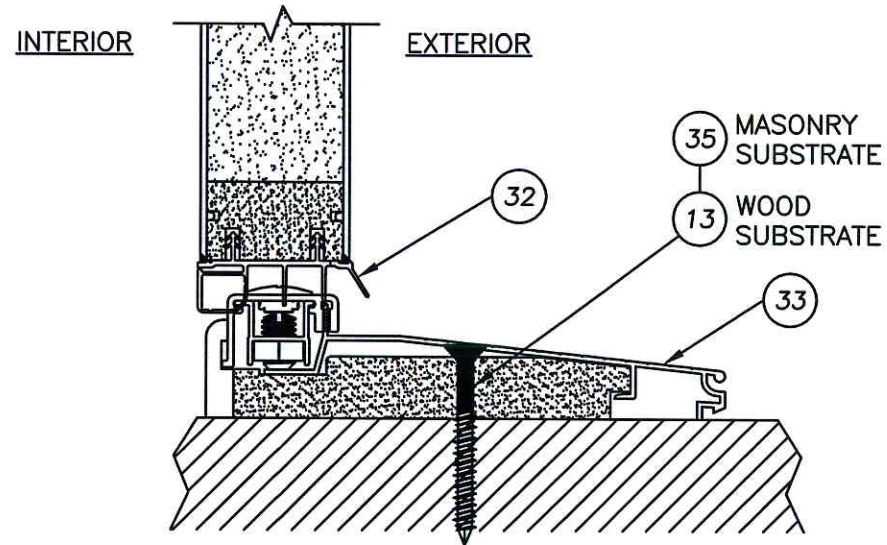
DATE: 7/17/12
 SCALE: N.T.S.
 DWG. BY: JK
 CHK. BY: LFS
 DRAWING NO.: TX-4190
 SHEET 5 of 8



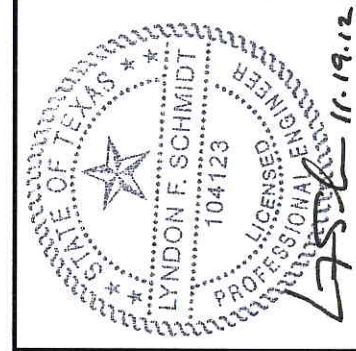
1 VERTICAL CROSS SECTION
 6 OUTSWING SHOWN (INSWING ALSO APPROVED)
 ("SMOOTH STAR SERIES" SHOWN)



2 VERTICAL CROSS SECTION
 6 OUTSWING CONFIGURATION
 ("SMOOTH STAR SERIES" SHOWN)



3 VERTICAL CROSS SECTION
 6 INSWING CONFIGURATION
 ("SMOOTH STAR SERIES" SHOWN)



Documents Prepared By: Lyndon F. Schmidt, P.E.
 TEXAS P.E. #104123

RW BUILDING CONSULTANTS, INC.
 P.O. Box 230 Vairco FL, 33595
 Phone No.: 813.659.9197

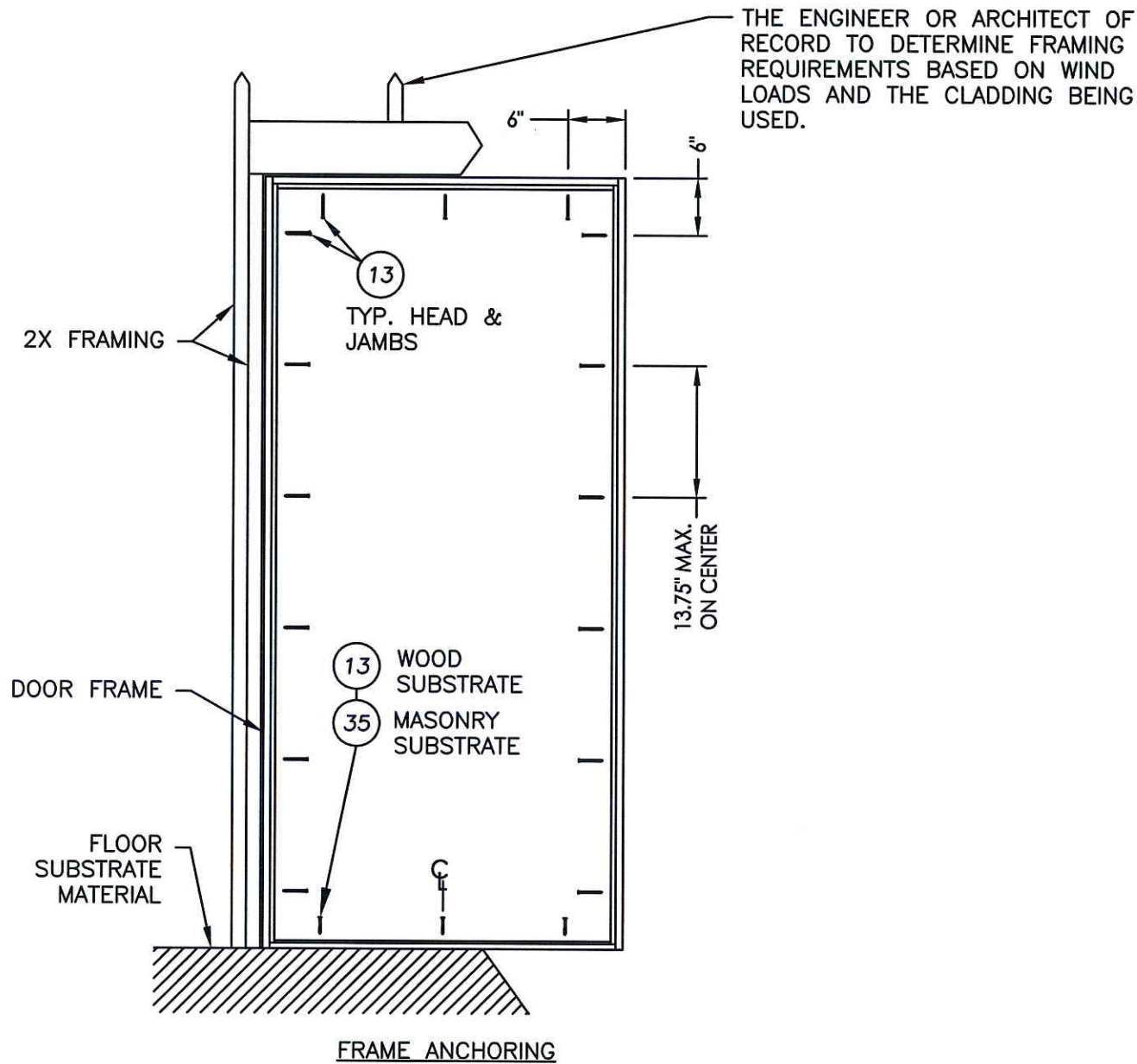
TEXAS BOARD OF PROFESSIONAL ENGINEERS
 CERTIFICATE OF REGISTRATION # F-11852

PRODUCT: THERMA-TRU
 GLAZED FIBERGLASS DOOR
 IN/OUTSWING "IMPACT"

PART OR ASSEMBLY:
 VERTICAL
 CROSS SECTIONS

NO.	DATE	BY	REVISIONS

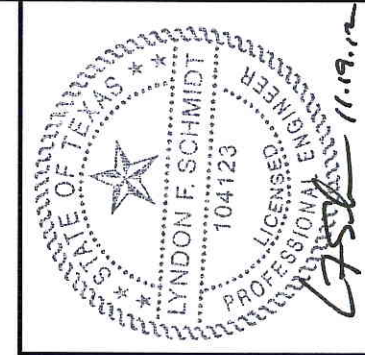
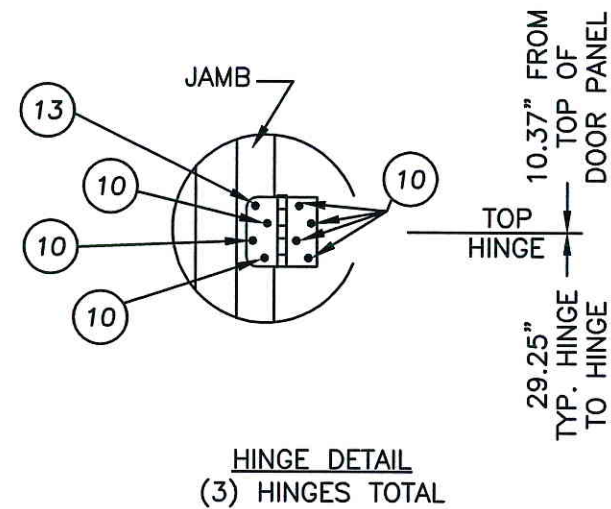
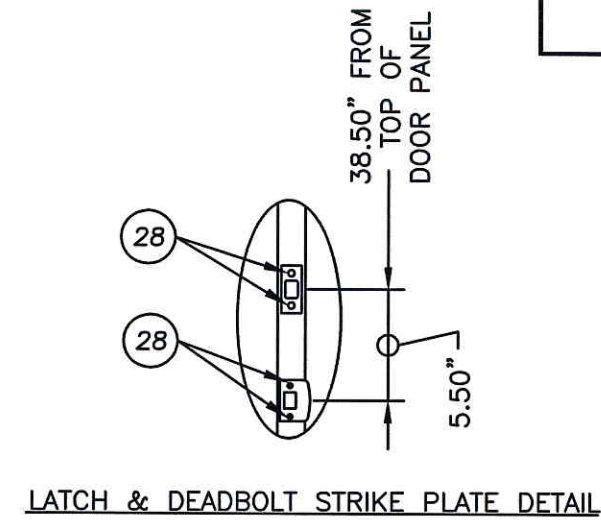
DATE: 7/17/12
 SCALE: N.T.S.
 DWG. BY: JK
 CHK. BY: LFS
 DRAWING NO.: TX-4190
 SHEET 6 of 8



CONCRETE ANCHOR NOTES:

1. Concrete anchor locations at the corners may be adjusted to maintain the min. edge distance to mortar joints.
2. Concrete anchor locations noted as "MAX. ON CENTER" must be adjusted to maintain the min. edge distance to mortar joints, additional concrete anchors may be required to ensure the "MAX. ON CENTER" dimension are not exceeded.
3. Concrete anchor table:

ANCHOR TYPE	ANCHOR SIZE	MIN. EMBEDMENT	MIN. CLEARANCE TO MASONRY EDGE	MIN. CLEARANCE TO ADJACENT ANCHOR
ITW TAPCON®	1/4"	1-3/4"	2-1/2"	3"
ELCO ULTRACON®	1/4"	1-3/4"	1"	3"



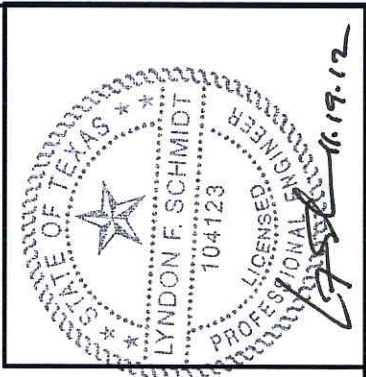
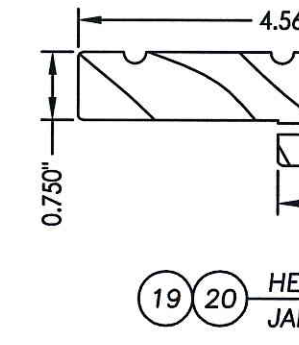
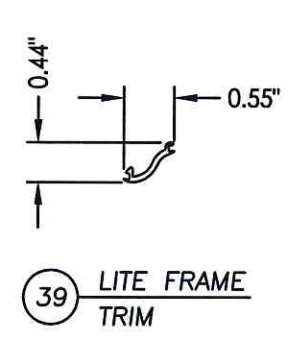
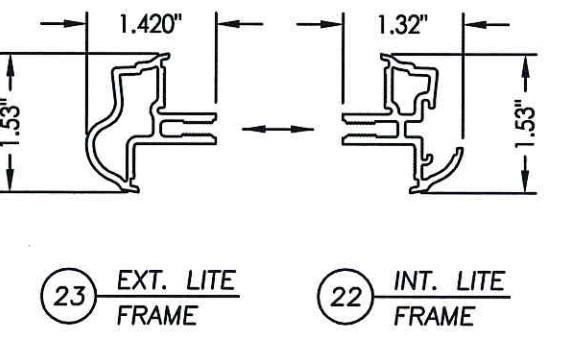
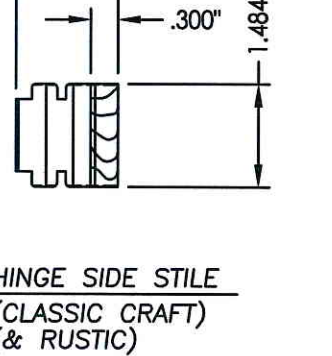
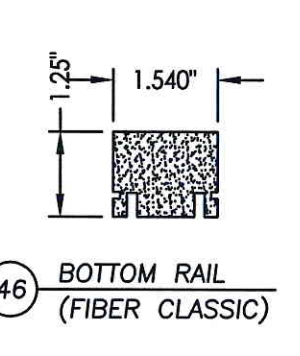
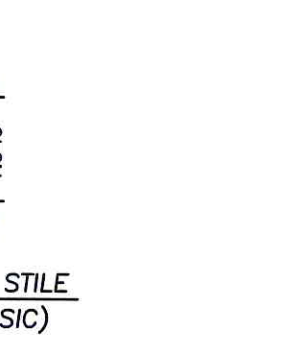
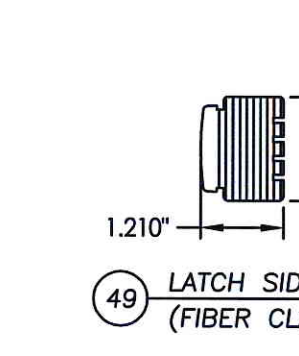
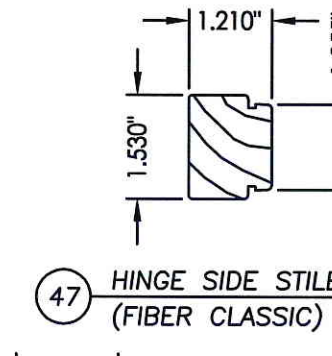
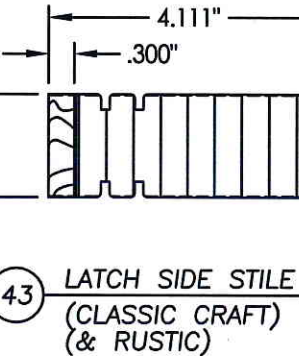
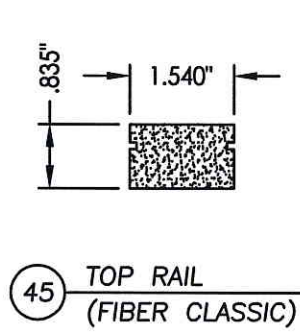
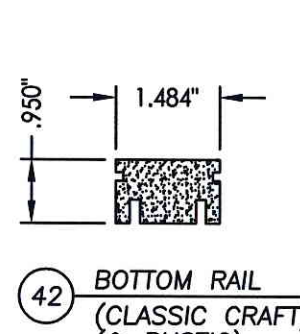
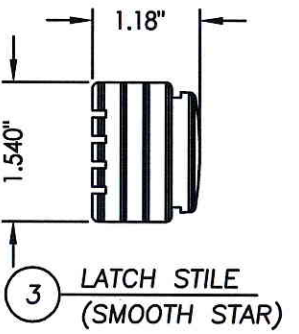
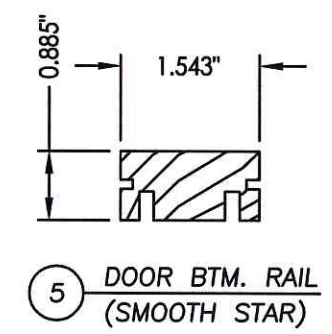
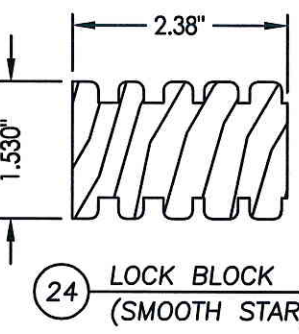
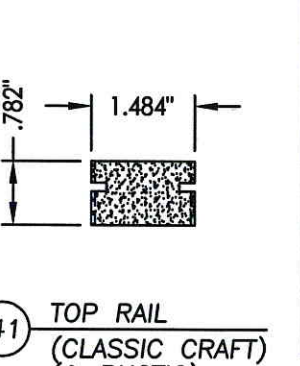
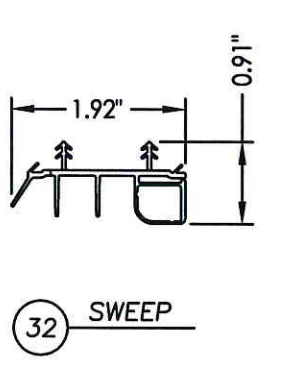
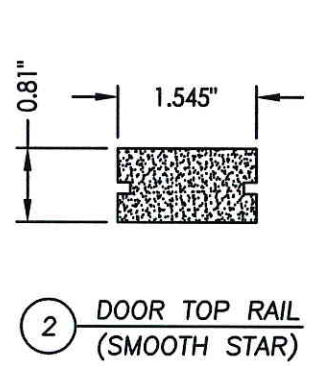
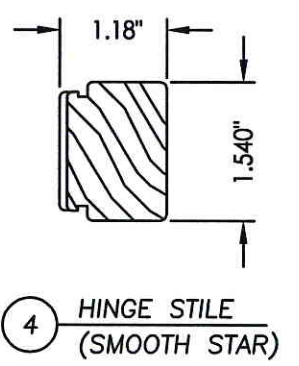
Documents Prepared By: Lyndon F. Schmidt, P.E.
TEXAS P.E. #104123

RW BUILDING CONSULTANTS, INC.
P.O. Box 230 Valrico FL 33595
Phone No.: 813.659.9197

TEXAS BOARD OF PROFESSIONAL ENGINEERS
CERTIFICATE OF REGISTRATION # F-11852

PRODUCT:	THERMA-TRU GLAZED FIBERGLASS DOOR IN/OUTSWING "IMPACT"	
PART OR ASSEMBLY:	FRAME ANCHORING	
NO.	DATE	BY
REVISIONS		
DATE:	7/17/12	
SCALE:	N.T.S.	
DWG. BY:	JK	
CHK. BY:	LFS	
DRAWING NO.:	TX-4190	
SHEET	7	OF 8

Item	DESCRIPTION	Material
1	DOOR SKIN; SMOOTH STAR SERIES (.065" MIN.)	FIBERGLASS
1A	DOOR SKIN; CLASSIC CRAFT & RUSTIC SERIES (.090" MIN.)	FIBERGLASS
1B	DOOR SKIN; FIBER CLASSIC SERIES (.065" MIN.)	FIBERGLASS
2	TOP RAIL DOOR THERMA-TRU (SMOOTH STAR)	COMP.
3	LATCH STILE DOOR THERMA-TRU (SMOOTH STAR)	LVL
4	HINGE STILE DOOR THERMA-TRU (SMOOTH STAR)	WOOD
5	BOTTOM RAIL DOOR THERMA-TRU (SMOOTH STAR)	COMP.
6	POLYURETHANE FOAM	FOAM
7	MEDIUM REACH COMPRESSION WEATHER-STRIP (THERMA-TRU)	FOAM
8	LONG REACH COMPRESSION WEATHER-STRIP (THERMA-TRU)	FOAM
9	4" x 4" HINGE .097" THK. (THERMA-TRU)	STEEL
10	#10 x 3/4" PFH WOOD SCREW (Hinge to Frame)	STEEL
11	#10 x 1-1/2" PPH SHEET METAL SCREW	STEEL
13	#10 x 2-1/2" PFH WOOD SCREW	STEEL
14	2X FRAMING (G >= 0.42)	WOOD
16	MAX. 1/4" SHIM MATERIAL	WOOD
17	LOCK - KWIKSET 200 SERIES	STEEL
18	THRESHOLD OUTSWING (THERMA-TRU)	ALUM./WOOD
19	HEADER JAMB (4.656" x 1.25" THERMA-TRU, PINE)	WOOD
20	SIDE JAMB (4.656" x 1.25" THERMA-TRU) (FJ PINE)	WOOD
21	DEADBOLT - KWIKSET 600 SERIES	STEEL
22	INTERIOR LITE FRAME	ALUM.
23	EXTERIOR LITE FRAME	ALUM.
24	LOCK BLOCK	WOOD
26	CELLULAR GLAZING TAPE	FOAM
27	LATCH STRIKE	STEEL
28	#8 x 2-1/2" PFH WOOD SCREW	STEEL
30	1" THK. INSUL. LAMINATED GLASS (PVB INTERLAYER BY SOLUTIA) 1/8" TEMP.-AIR- 5/32" ANN./0.090" PVB INTERLAYER/1/8" ANN.	GLASS
32	DOOR BOTTOM SWEEP (INSWING)	PVC
33	INSWING THRESHOLD	ALUM./COMP.
35	1/4" ELCO OR ITW CONCRETE SCREW (1-3/4" MIN. EMB.)	STEEL
39	LITE FRAME TRIM	PVC
41	TOP RAIL (CLASSIC CRAFT & RUSTIC)	COMP.
42	BOTTOM RAIL (CLASSIC CRAFT & RUSTIC)	COMP.
43	LATCH SIDE STILE (CLASSIC CRAFT & RUSTIC)	LSL / OAK
44	HINGE SIDE STILE (CLASSIC CRAFT & RUSTIC)	LSL / OAK
45	TOP RAIL (FIBER CLASSIC)	COMP.
46	BOTTOM RAIL (FIBER CLASSIC)	COMP.
47	HINGE SIDE STILE (FIBER CLASSIC)	WOOD
48	LOCK BLOCK (FIBER CLASSIC)	WOOD
49	LATCH SIDE STILE (FIBER CLASSIC)	LVL / OAK



Documents Prepared By: Lyndon F. Schmidt, P.E.
TEXAS P.E. #104123

RW BUILDING CONSULTANTS, INC.
P.O. Box 230 Valrico FL 33595
Phone No.: 813.659.9197

TEXAS BOARD OF PROFESSIONAL ENGINEERS
CERTIFICATE OF REGISTRATION # F-11852

PRODUCT: THERMA-TRU GLAZED FIBERGLASS DOOR IN/OUTSWING "IMPACT"

PART OR ASSEMBLY: BILL OF MATERIALS & COMPONENTS

NO.	DATE	BY	REVISIONS

DATE: 7/17/12
SCALE: N.T.S.
DWG. BY: JK
CHK. BY: LFS
DRAWING NO.: TX-4190
SHEET 8 OF 8