

THERMA TRU®

118 INDUSTRIAL DR., EDGERTON, OH 43517
TEL. (419)298-1740

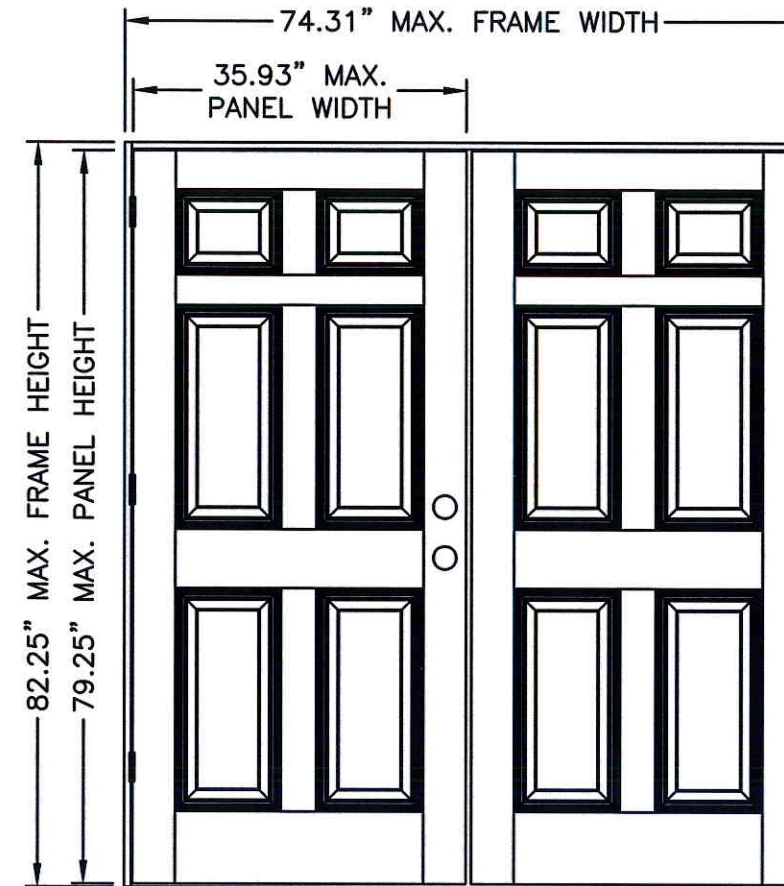
SMOOTH STAR, FIBER CLASSIC, CLASSIC CRAFT & CLASSIC CRAFT RUSTIC DOUBLE "IMPACT" DOOR INSWING / OUTSWING

EVALUATED FOR USE IN THE STATE OF TEXAS

The Fiberglass Opaque Door described herein complies with the 2006 International Residential Code (IRC), Sections R301 & R613 and the 2006 International Building Code (IBC), Sections 1405.12, 1609, 1714.5, 2403 and 2404 (including Texas revisions) subject to the following conditions:

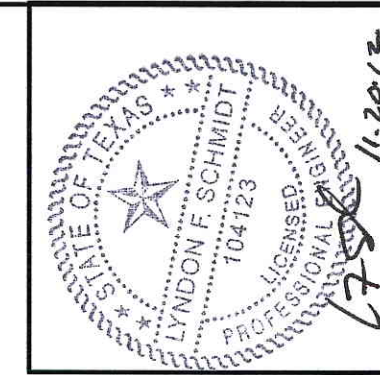
1. Anchors shall be as listed and spaced as shown in the details. Anchor embedment to base material shall be beyond wall dressing or stucco.
2. This system has been tested and evaluated as a large missile impact protective system for installation in the Seaward, Inland I and Inland II areas. This product meets missile level "D" as defined in ASTM E 1996.
3. Allowable design pressure requirements must be equal to or less than the design pressure rating shown in the design pressure chart, sheet 1 of this drawing.
4. Conditions not covered by this drawing are subject to further engineering analysis.

TABLE OF CONTENTS	
SHEET #	DESCRIPTION
1	TYPICAL ELEVATION, DESIGN PRESSURES & GENERAL NOTES
2	DOOR PANEL DETAILS (SMOOTH STAR)
3	DOOR PANEL DETAILS (CLASSIC CRAFT)
4	DOOR PANEL DETAILS (CLASSIC CRAFT RUSTIC)
5	DOOR PANEL DETAILS (FIBER CLASSIC)
6	HORIZONTAL CROSS SECTIONS
7	VERTICAL CROSS SECTIONS
8	FRAME ANCHORING
9	ASTRAGAL DETAILS
10	BILL OF MATERIALS & COMPONENTS



"SMOOTH STAR", "CLASSIC CRAFT", "CLASSIC CRAFT RUSTIC" & "FIBER CLASSIC"

DOOR TYPE	SWING	DESIGN PRESSURE	
		POSITIVE	NEGATIVE
CLASSIC CRAFT	OUTSWING	+70.0	-70.0
	INSWING	+70.0	-70.0
FIBER CLASSIC	OUTSWING	+70.0	-70.0
	INSWING	+70.0	-70.0
SMOOTH STAR	OUTSWING	+70.0	-70.0
	INSWING	+70.0	-70.0
CLASSIC CRAFT RUSTIC	OUTSWING	+70.0	-70.0
	INSWING	+70.0	-70.0



Documents Prepared By: Lyndon F. Schmidt, P.E.
TEXAS P.E. #104123

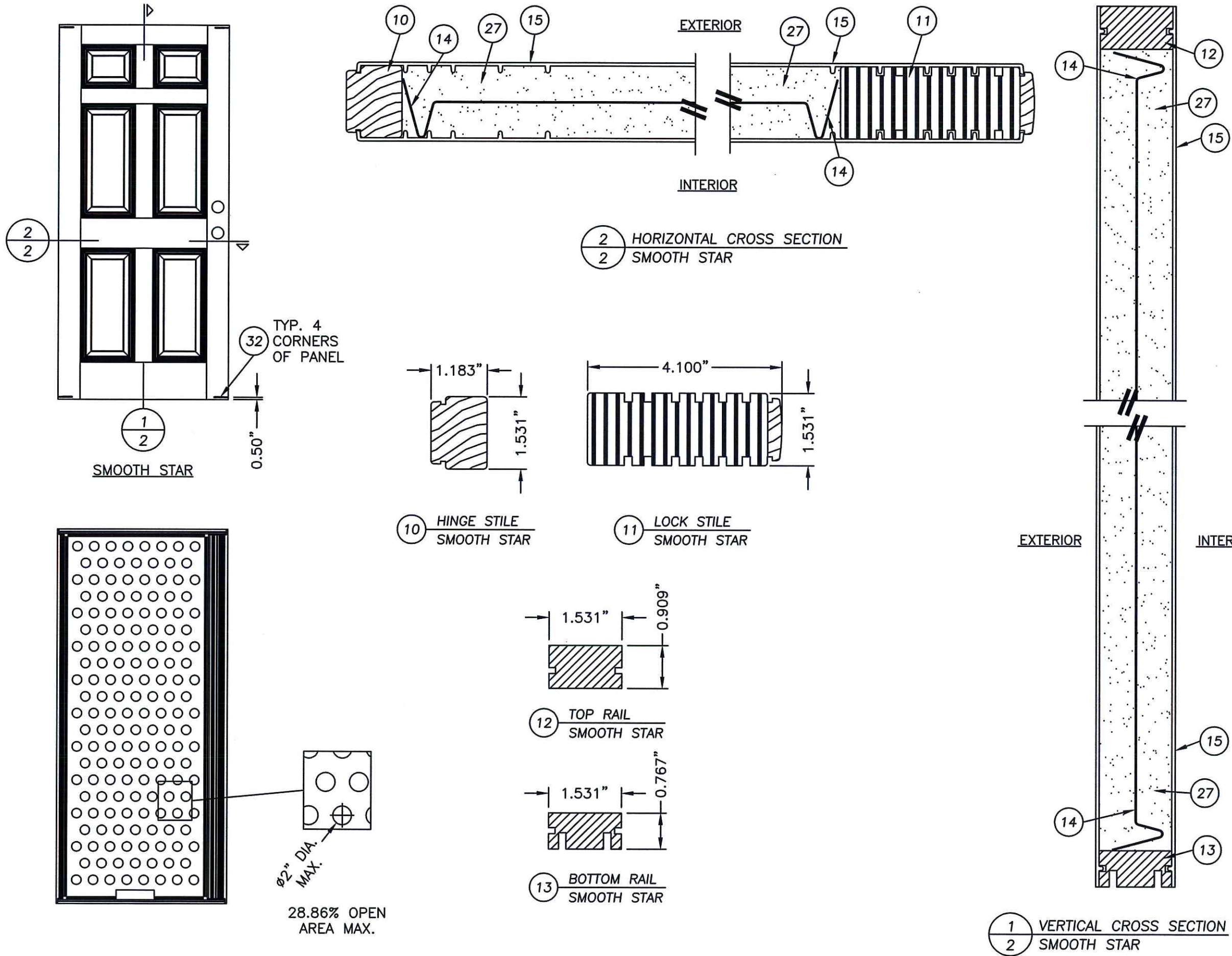
RW BUILDING CONSULTANTS, INC.
P.O. Box 230 Valrico FL 33595
Phone No.: 813.659.9197

TEXAS BOARD OF PROFESSIONAL ENGINEERS
CERTIFICATE OF REGISTRATION # F-11852

PRODUCT: DOUBLE OPAQUE FIBERGLASS DOOR "IMPACT" INSWING / OUTSWING
PART OR ASSEMBLY:
TYPICAL ELEVATION, DESIGN PRESSURES & GENERAL NOTES

NO.	DATE	BY	REVISIONS

DATE: 07/17/12
SCALE: N.T.S.
DWG. BY: JK
CHK. BY: LFS
DRAWING NO.: TX-4188
SHEET 1 OF 10



Documents Prepared By: Lyndon F. Schmidt, P.E.
TEXAS P.E. #104123

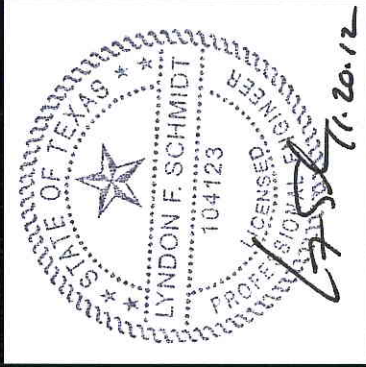
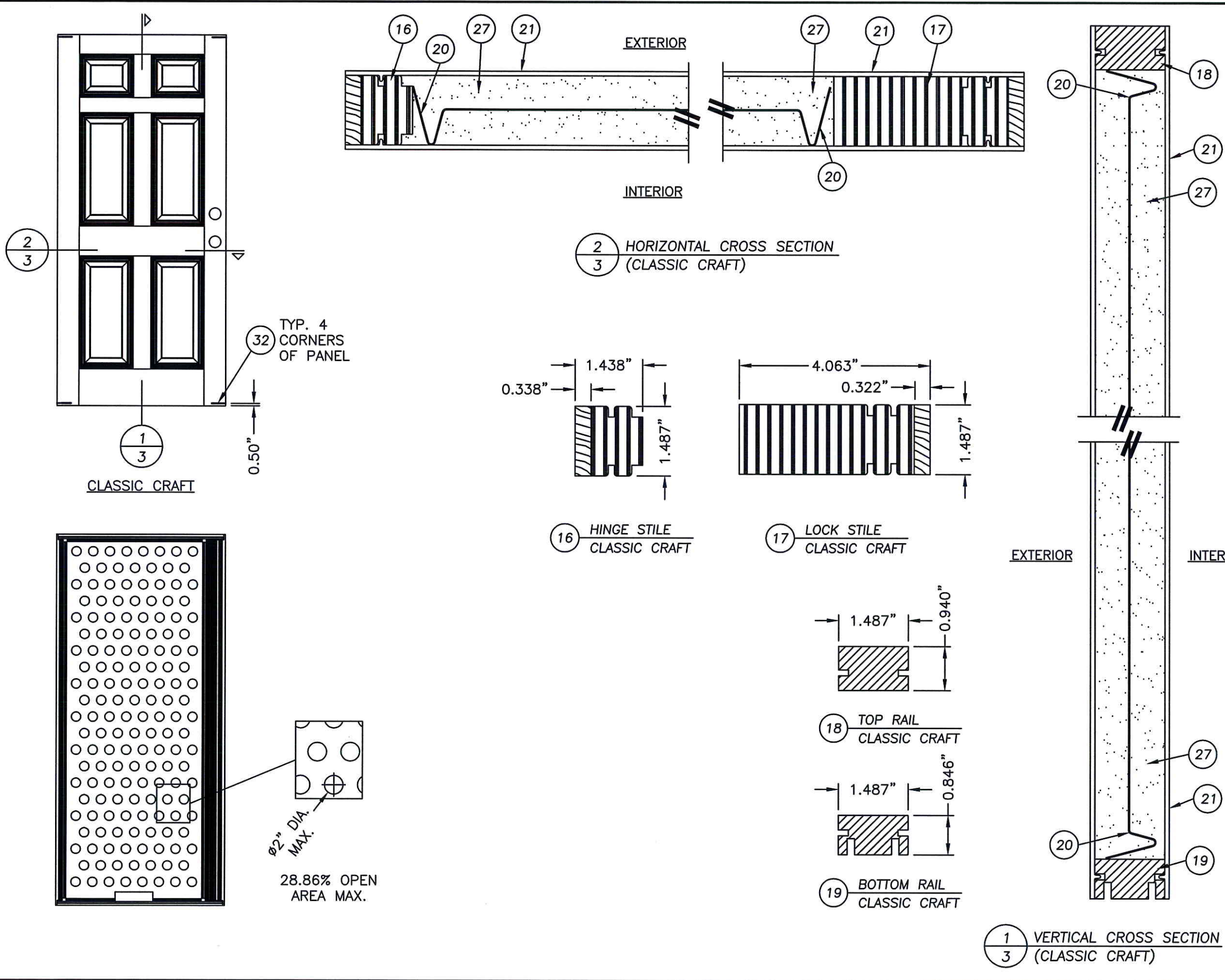
RW BUILDING CONSULTANTS, INC.
P.O. Box 230 Valrico FL 33595
Phone No.: 813.659.9197

TEXAS BOARD OF PROFESSIONAL ENGINEERS
CERTIFICATE OF REGISTRATION # F-11852

PRODUCT: DOUBLE OPAQUE FIBERGLASS DOOR "IMPACT" INSWING / OUTSWING PART OR ASSEMBLY: DOOR PANEL DETAILS (SMOOTH STAR)

NO.	DATE	BY

DATE: 07/17/12
SCALE: N.T.S.
DWG. BY: JK
CHK. BY: LFS
DRAWING NO.: TX-4188
SHEET 2 OF 10



Documents Prepared By: Lyndon F. Schmidt, P.E.
TEXAS P.E. #104123

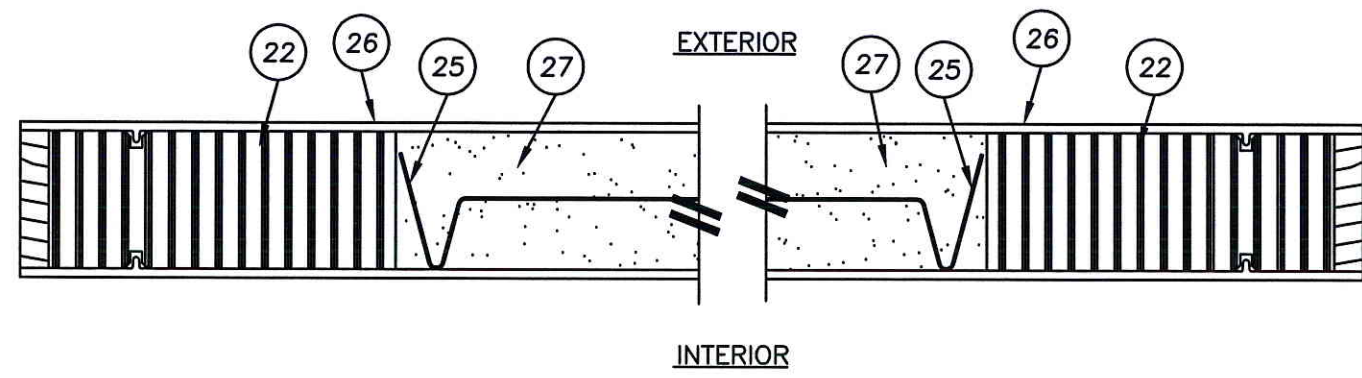
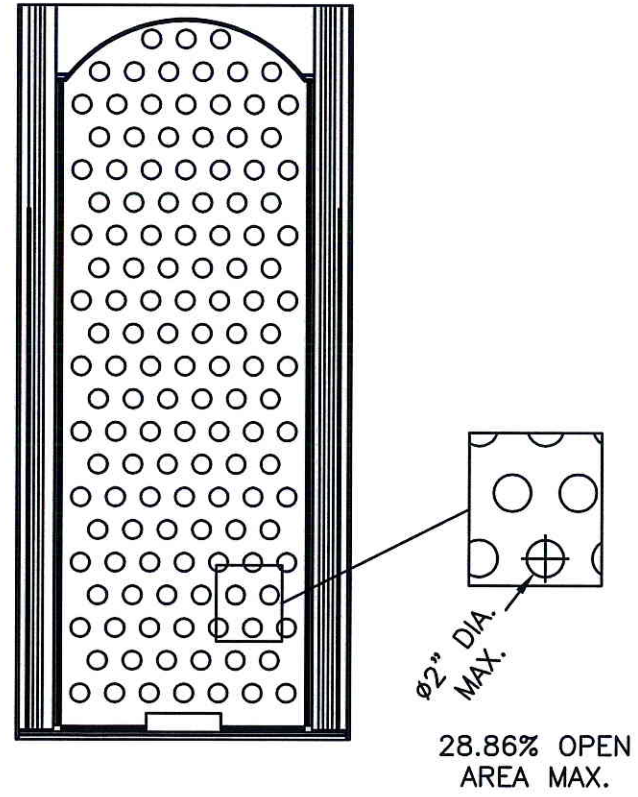
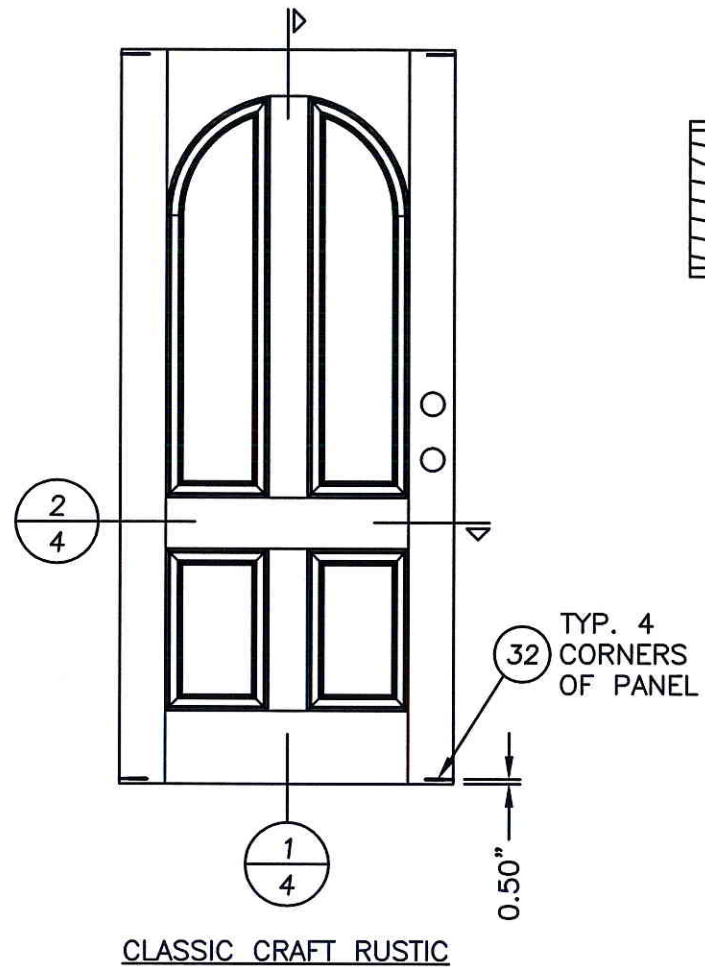
RW BUILDING CONSULTANTS, INC.
P.O. Box 230 Valrico FL 33595
Phone No.: 813.659.9197

TEXAS BOARD OF PROFESSIONAL ENGINEERS
CERTIFICATE OF REGISTRATION # F-11852

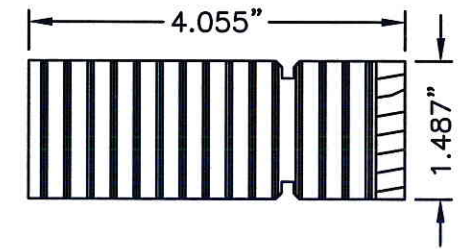
PRODUCT: DOUBEL OPAQUE FIBERGLASS DOOR
"IMPACT" INSWING / OUTSWING
PART OR ASSEMBLY: DOOR PANEL DETAILS (CLASSIC CRAFT)

NO.	DATE	BY	REVISIONS

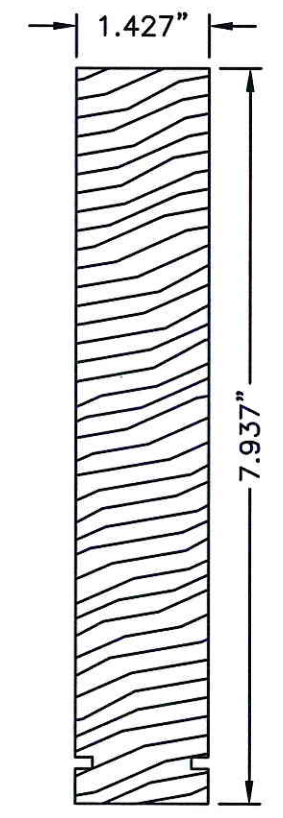
DATE: 7/17/12
SCALE: N.T.S.
DWG. BY: JK
CHK. BY: LFS
DRAWING NO.: TX-4188
SHEET 3 of 10



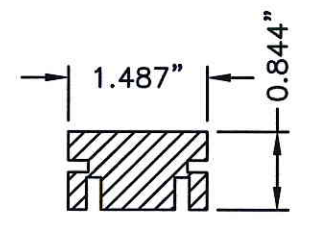
2/4 HORIZONTAL CROSS SECTION (CLASSIC CRAFT RUSTIC)



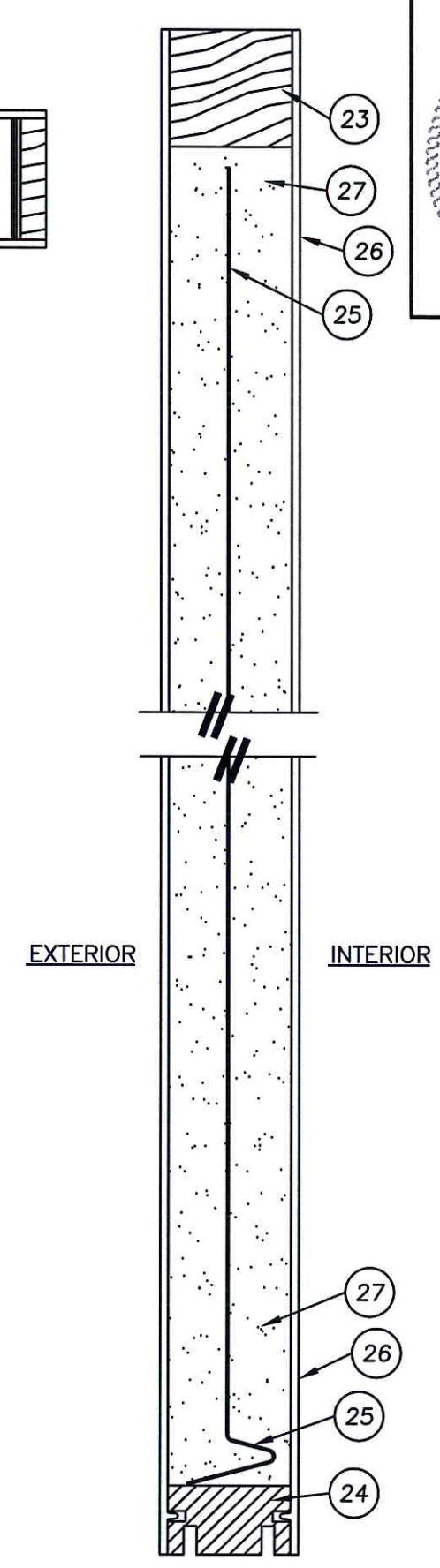
22 LOCK & HINGE STILE CLASSIC CRAFT RUSTIC



23 TOP RAIL CLASSIC CRAFT RUSTIC



24 BOTTOM RAIL CLASSIC CRAFT RUSTIC



1/4 VERTICAL CROSS SECTION (CLASSIC CRAFT RUSTIC)



Documents Prepared By: Lyndon F. Schmidt, P.E.
TEXAS P.E. #104123

RW BUILDING CONSULTANTS, INC.
P.O. Box 230 Vairico FL. 33595
Phone No.: 813.659.9197

TEXAS BOARD OF PROFESSIONAL ENGINEERS
CERTIFICATE OF REGISTRATION # F-11852

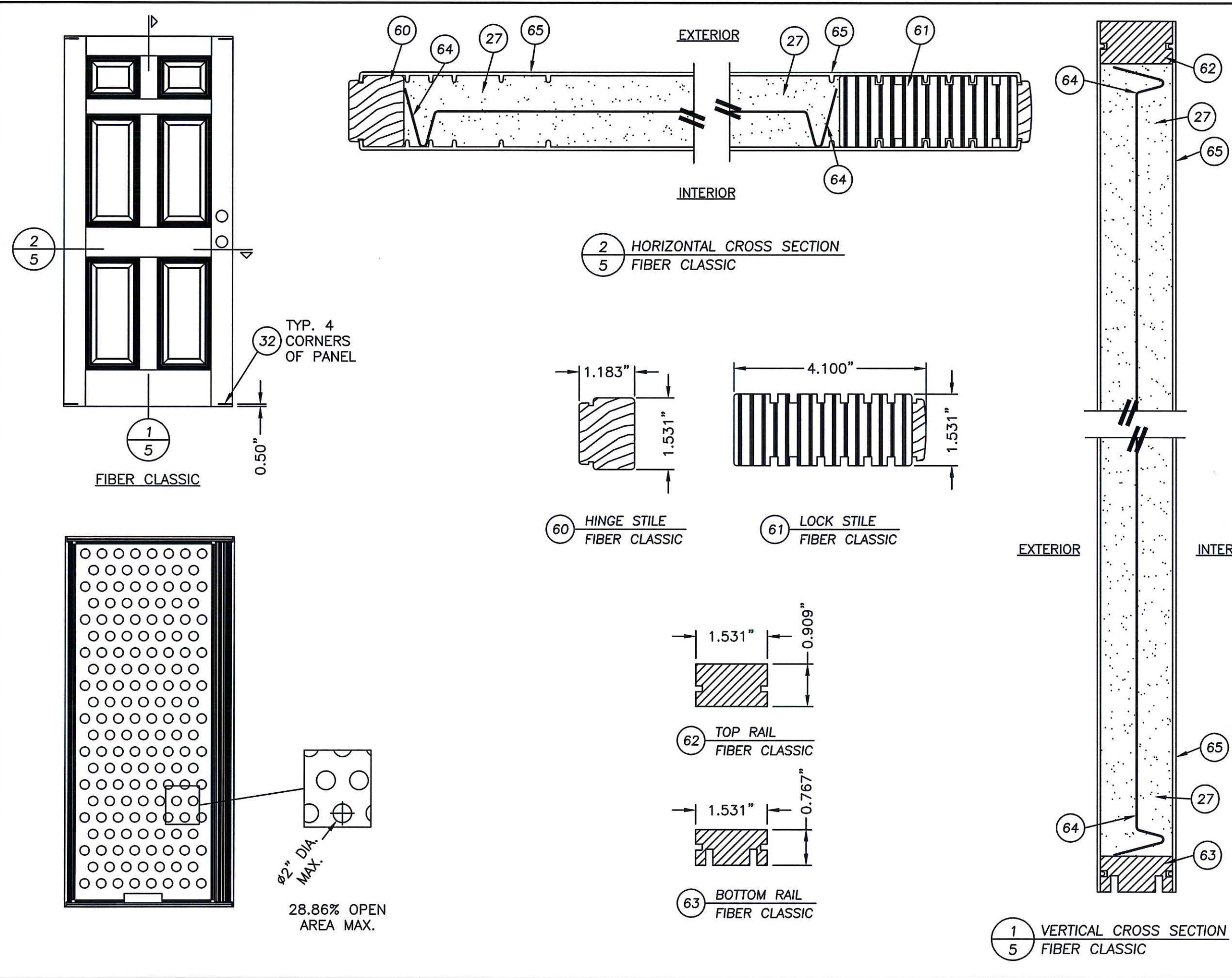
PRODUCT: DOUBLE OPAQUE FIBERGLASS DOOR "IMPACT" INSWING / OUTSWING PART OR ASSEMBLY:

DOOR PANEL DETAILS (CLASSIC CRAFT RUSTIC)

NO.	DATE	BY	REVISIONS

DATE: 07/17/12
SCALE: N.T.S.
DWG. BY: JK
CHK. BY: LFS
DRAWING NO.: TX-4188
SHEET 4 OF 10

R:\A - Projects\Project Folders\Proj 1101 - 1200\p1103\1.D. RWBC Drawings\TX-4184-89.dwg, FX5



Documents Prepared By: Lyndon F. Schmidt, P.E.
TEXAS P.E. #104123

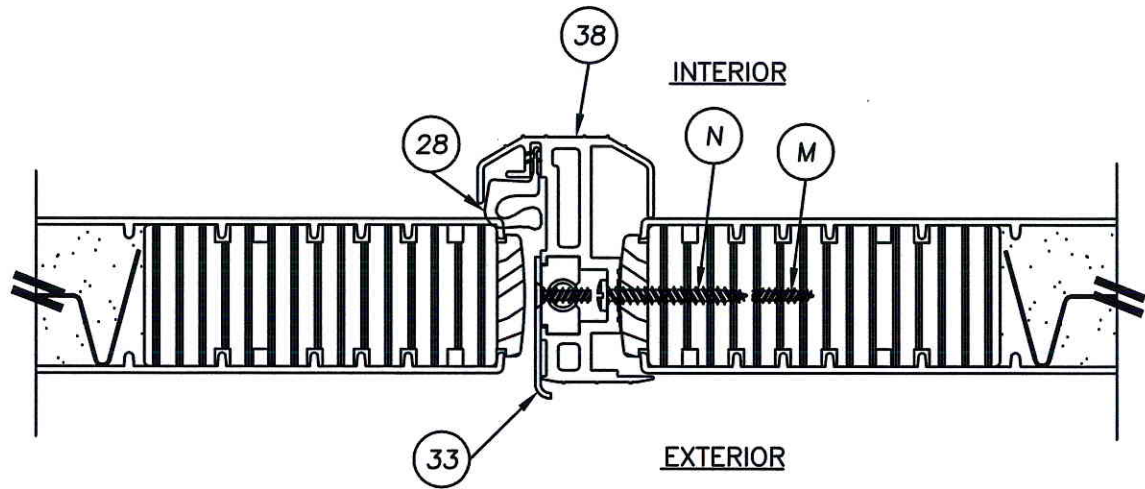
RW BUILDING CONSULTANTS, INC.
P.O. Box 230 Valrico FL 33595
Phone No.: 813.659.9197

TEXAS BOARD OF PROFESSIONAL ENGINEERS
CERTIFICATE OF REGISTRATION # F-11852

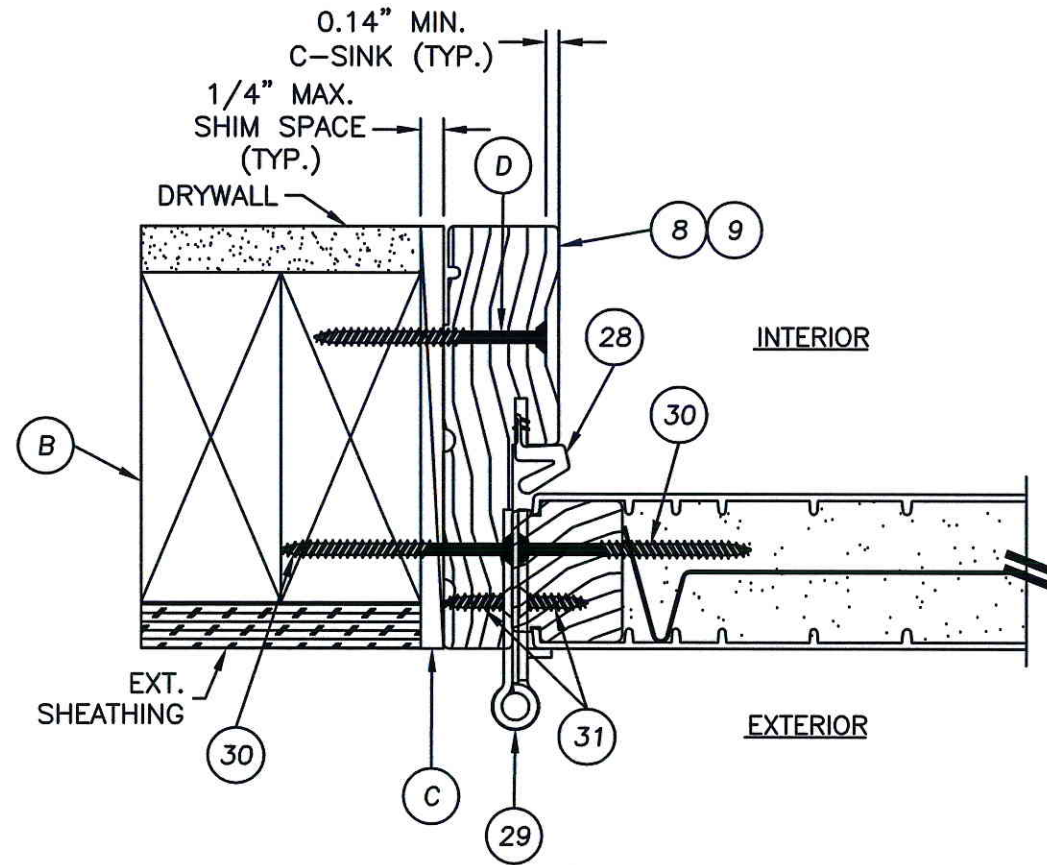
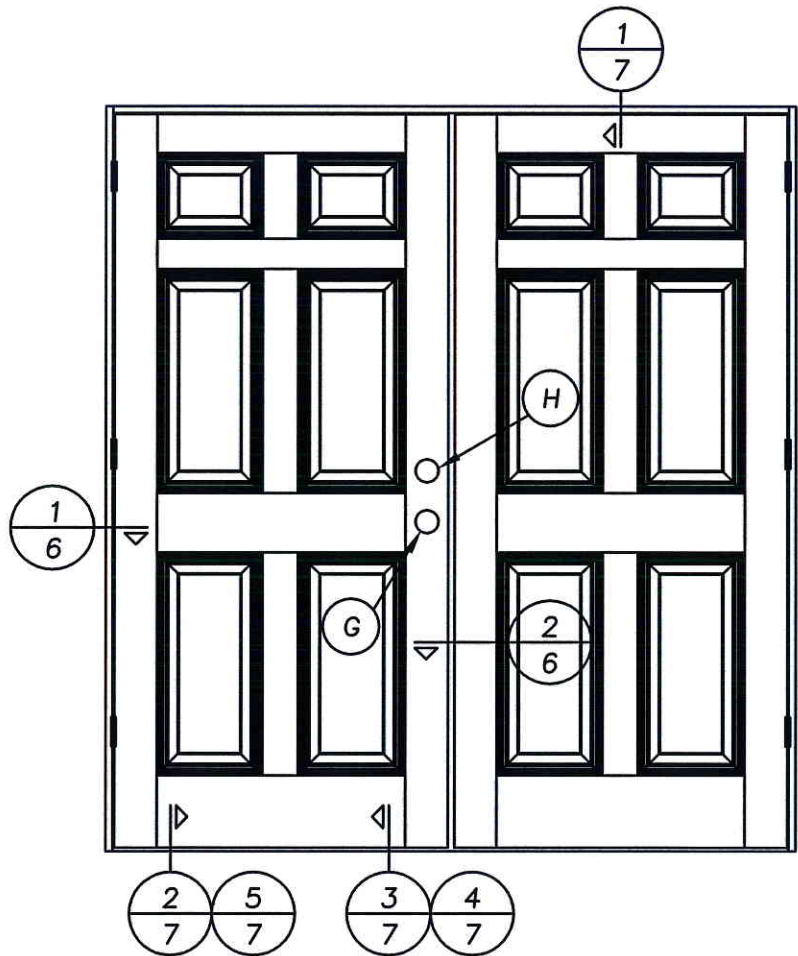
PRODUCT: DOUBLE OPAQUE FIBERGLASS DOOR "IMPACT" INSWING / OUTSWING PART OR ASSEMBLY: DOOR PANEL DETAILS (FIBER CLASSIC)

NO.	DATE	BY	REVISIONS

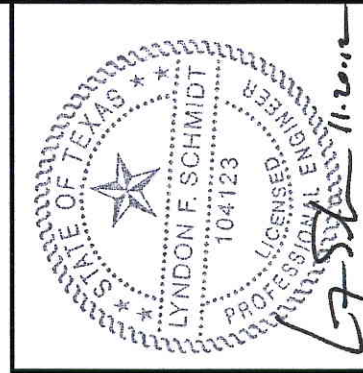
DATE: 07/17/12
SCALE: N.T.S.
DWG. BY: JK
CHK. BY: LFS
DRAWING NO.: TX-4188
SHEET 5 of 10



2 HORIZONTAL CROSS SECTION
 6 OUTSWING SHOWN - INSWING ALSO APPROVED
 SMOOTH STAR PANEL SHOWN
 SEE DOOR PANEL DETAILS FOR
 OPTIONAL PANEL TYPES



1 HORIZONTAL CROSS SECTION
 6 OUTSWING SHOWN - INSWING ALSO APPROVED
 SMOOTH STAR PANEL SHOWN
 SEE DOOR PANEL DETAILS FOR
 OPTIONAL PANEL TYPES



Documents Prepared By: Lyndon F. Schmidt, P.E.
 TEXAS P.E. #104123

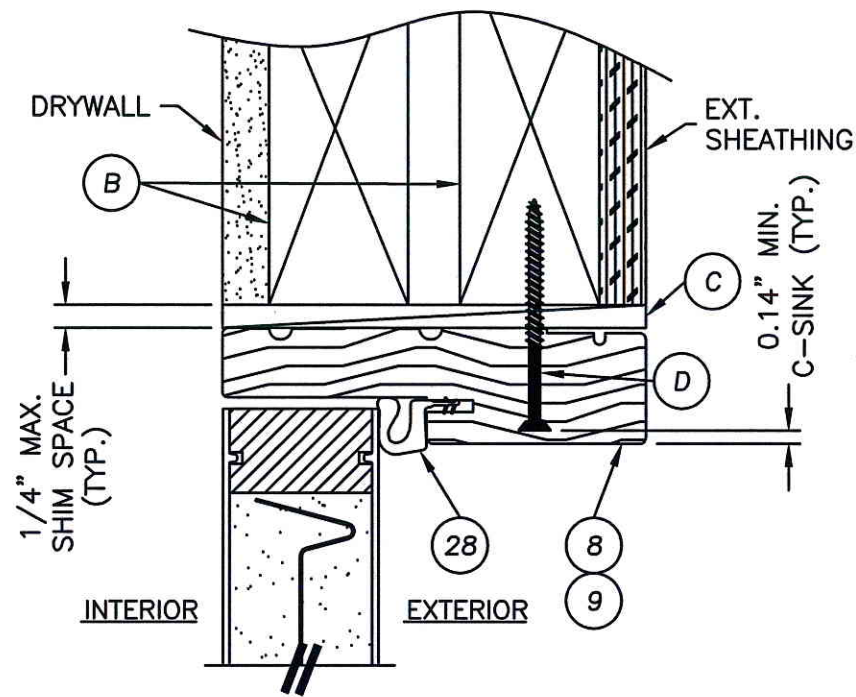
RW BUILDING CONSULTANTS, INC.
 P.O. Box 230 Vairico FL, 33595
 Phone No.: 813.659.9197
 TEXAS BOARD OF PROFESSIONAL ENGINEERS
 CERTIFICATE OF REGISTRATION # F-11852

PRODUCT: DOUBLE OPAQUE
 FIBERGLASS DOOR
 "IMPACT" INSWING / OUTSWING
 PART OR ASSEMBLY:
 HORIZONTAL CROSS SECTIONS

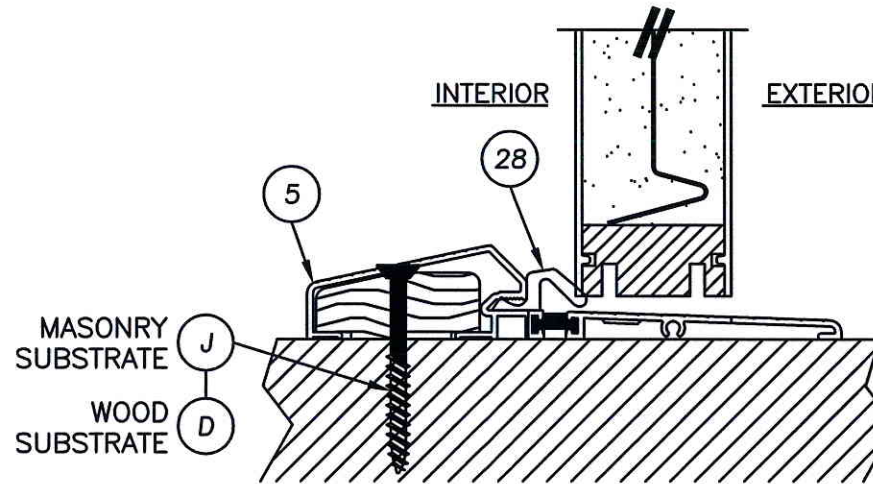
NO.	DATE	BY	REVISIONS

DATE: 07/17/12
 SCALE: N.T.S.
 DWG. BY: JK
 CHK. BY: LFS
 DRAWING NO.: TX-4188
 SHEET 6 OF 10

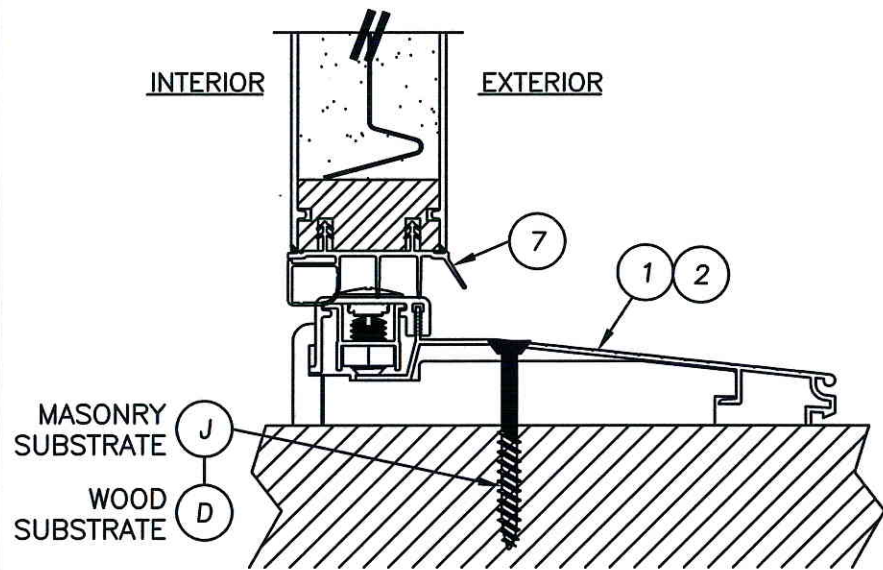
R:\A - Projects\Project Folders\Proj 1101 - 1200\p1103\103.D. RWBC Drawings\TX-4184-89.dwg, FXX7



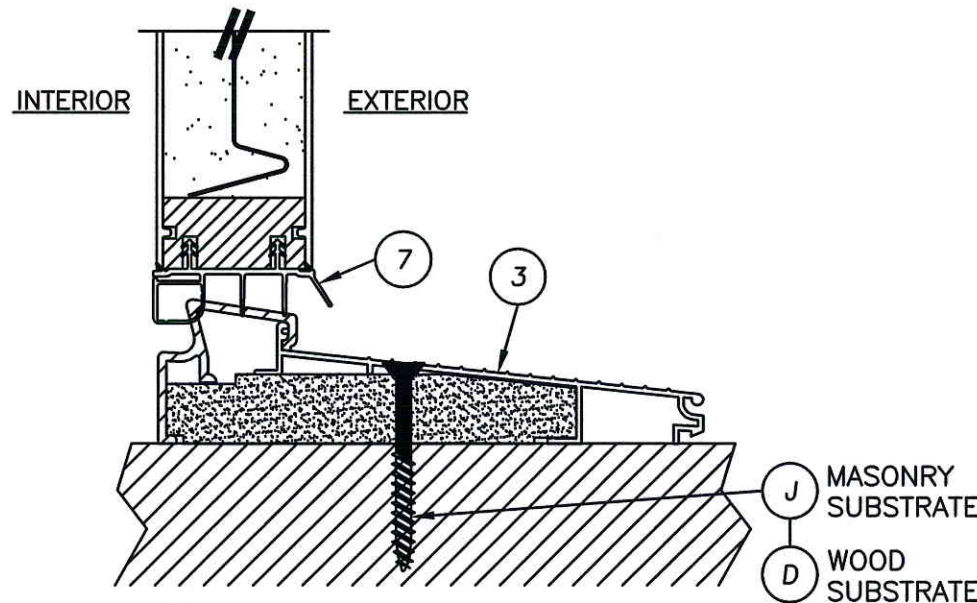
1 VERTICAL CROSS SECTION
 7 INSWING SHOWN - OUTSWING ALSO APPROVED
 SMOOTH STAR PANEL SHOWN
 SEE DOOR PANEL DETAILS FOR
 OPTIONAL PANEL TYPES



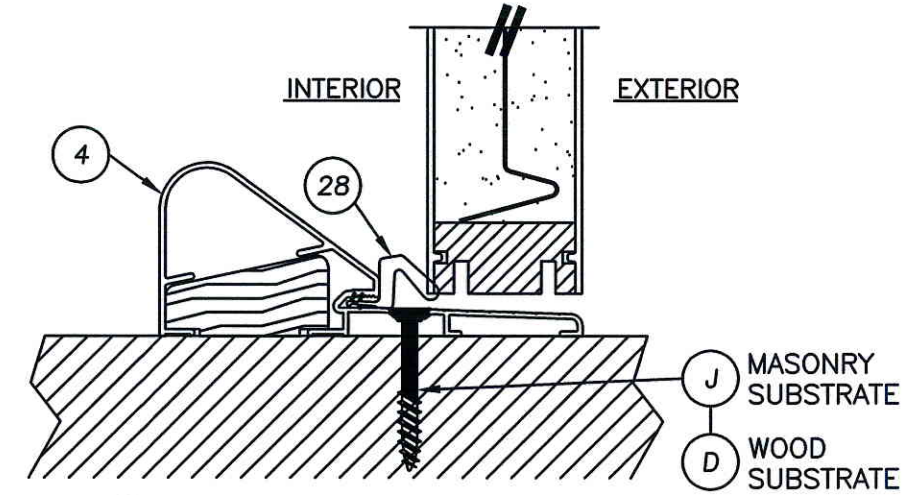
2 VERTICAL CROSS SECTION
 7 @ THRESHOLD
 SMOOTH STAR PANEL SHOWN
 SEE DOOR PANEL DETAILS FOR
 OPTIONAL PANEL TYPES



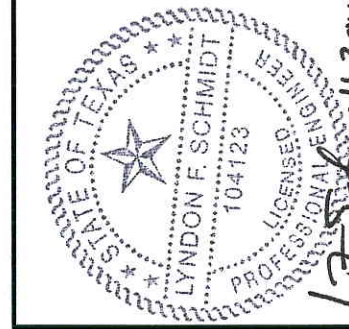
3 VERTICAL CROSS SECTION
 7 @ THRESHOLD
 SMOOTH STAR PANEL SHOWN
 SEE DOOR PANEL DETAILS FOR
 OPTIONAL PANEL TYPES



4 VERTICAL CROSS SECTION
 7 @ THRESHOLD
 SMOOTH STAR PANEL SHOWN
 SEE DOOR PANEL DETAILS FOR
 OPTIONAL PANEL TYPES



5 VERTICAL CROSS SECTION
 7 @ THRESHOLD
 SMOOTH STAR PANEL SHOWN
 SEE DOOR PANEL DETAILS FOR
 OPTIONAL PANEL TYPES



Documents Prepared By: Lyndon F. Schmidt, P.E.
 TEXAS P.E. #104123

RW BUILDING CONSULTANTS, INC.
 P.O. Box 230 Volrico FL 33595
 Phone No.: 813.659.9197

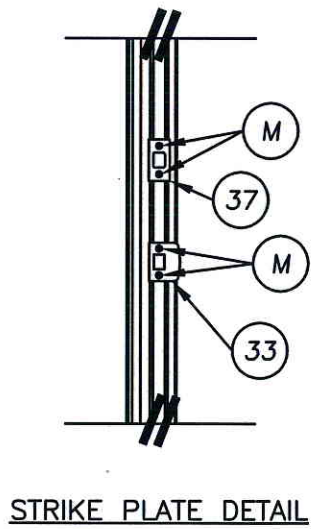
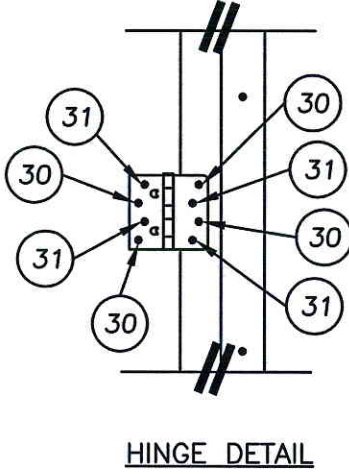
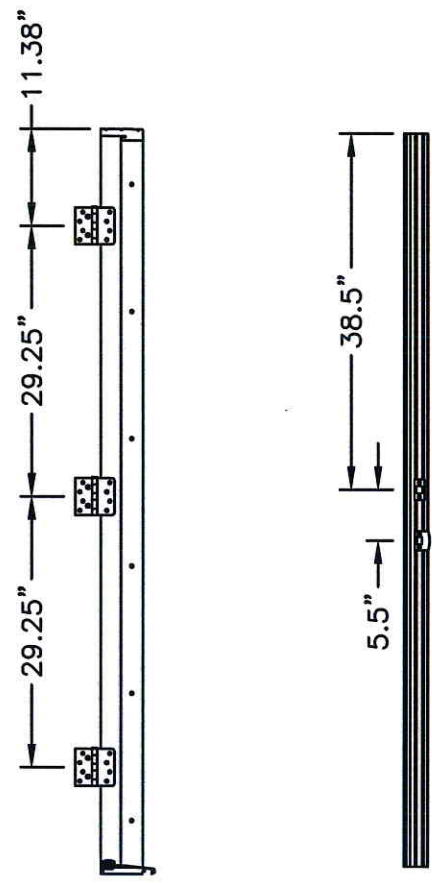
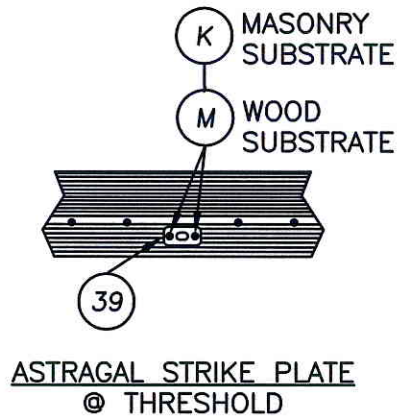
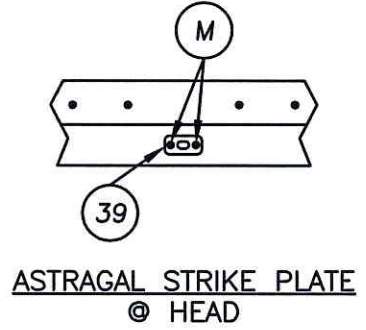
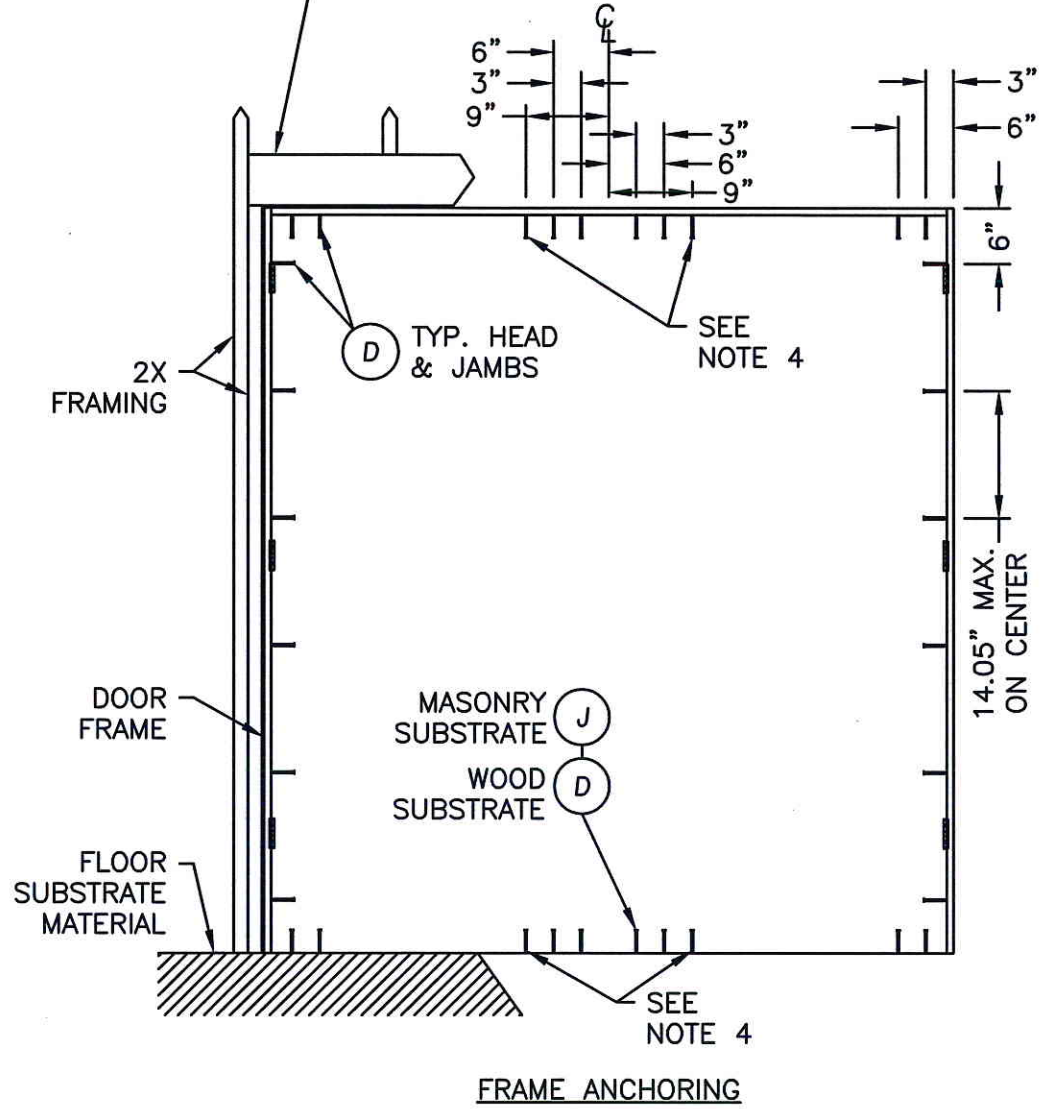
TEXAS BOARD OF PROFESSIONAL ENGINEERS
 CERTIFICATE OF REGISTRATION # F-11852

PRODUCT: DOUBLE OPAQUE
 FIBERGLASS DOOR
 "IMPACT" INSWING / OUTSWING
 PART OR ASSEMBLY:
 VERTICAL CROSS SECTIONS

NO.	DATE	BY	REVISIONS

DATE: 07/17/12
 SCALE: N.T.S.
 DWG. BY: JK
 CHK. BY: LFS
 DRAWING NO.: TX-4188
 SHEET 7 OF 10

THE ENGINEER OR ARCHITECT OF RECORD TO DETERMINE FRAMING REQUIREMENTS BASED ON WIND LOADS AND THE CLADDING BEING USED.

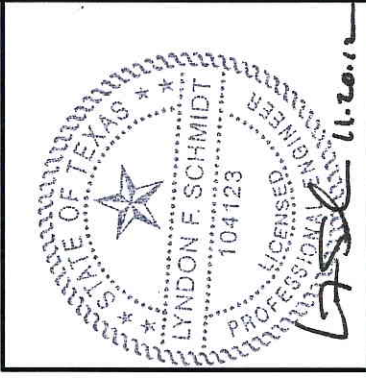


CONCRETE ANCHOR NOTES:

1. Concrete anchor locations at the corners may be adjusted to maintain the min. edge distance to mortar joints.
2. Concrete anchor locations noted as "MAX. ON CENTER" must be adjusted to maintain the min. edge distance to mortar joints, additional concrete anchors may be required to ensure the "MAX. ON CENTER" dimension are not exceeded.
3. Concrete anchor table:

ANCHOR TYPE	ANCHOR SIZE	MIN. EMBEDMENT	MIN. CLEARANCE TO MASONRY EDGE	MIN. CLEARANCE TO ADJACENT ANCHOR
ITW TAPCON®	3/16" 1/4"	1-3/4" 1-3/4"	2-5/8" 2-1/2"	1-1/8" 3"
ELCO ULTRACON®	1/4"	1-3/4"	1"	3"

4. THESE SCREWS ARE REQUIRED ONLY WHEN THE DP EXCEEDS 50 PSF.



Documents Prepared By: Lyndon F. Schmidt, P.E.
TEXAS P.E. #104123

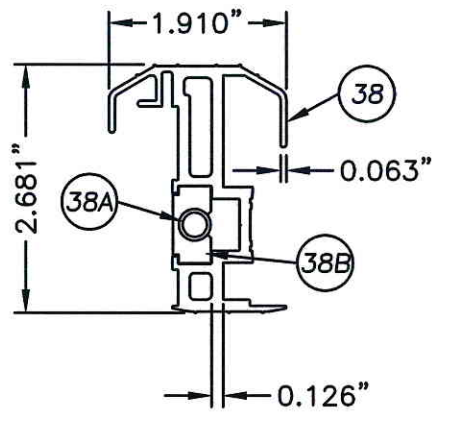
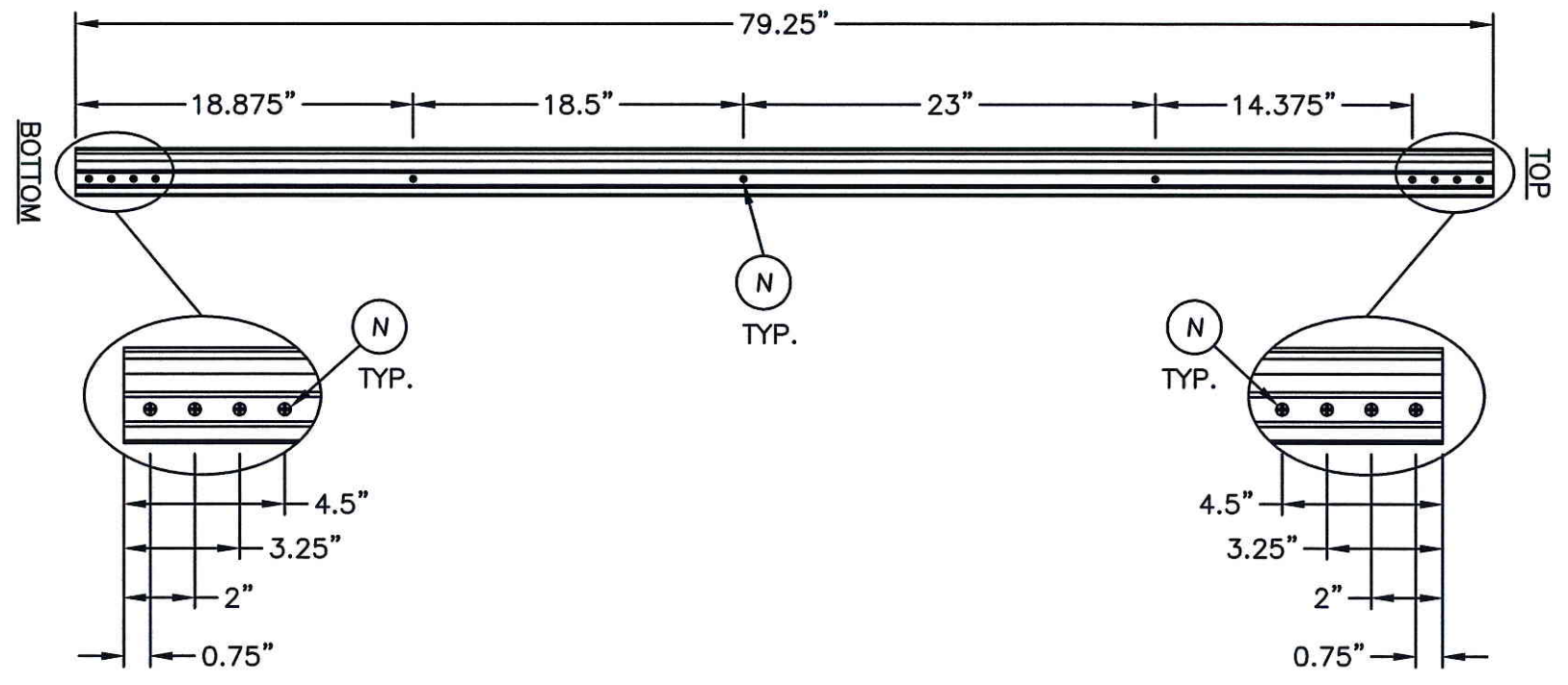
RW BUILDING CONSULTANTS, INC.
P.O. Box 230 Vairico FL. 33595
Phone No.: 813.659.9197

TEXAS BOARD OF PROFESSIONAL ENGINEERS
CERTIFICATE OF REGISTRATION # F-11852

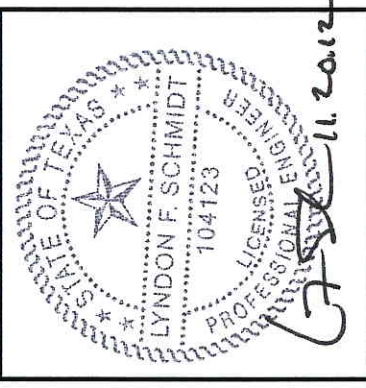
PRODUCT: DOUBLE OPAQUE FIBERGLASS DOOR "IMPACT" INSWING / OUTSWING PART OR ASSEMBLY: FRAME ANCHORING

NO.	DATE	BY	REVISIONS

DATE: 07/17/12
SCALE: N.T.S.
DWG. BY: JK
CHK. BY: LFS
DRAWING NO.: TX-4188
SHEET 8 OF 10



38 ASTRAGAL DETAIL



Documents Prepared By: Lyndon F. Schmidt, P.E.
TEXAS P.E. #104123

RW BUILDING CONSULTANTS, INC.
P.O. Box 230 Vairico FL 33595
Phone No.: 813.659.9197

TEXAS BOARD OF PROFESSIONAL ENGINEERS
CERTIFICATE OF REGISTRATION # F-11852

PRODUCT: DOUBLE OPAQUE
FIBERGLASS DOOR
"IMPACT" INSWING / OUTSWING
PART OR ASSEMBLY:
ASTRAGAL DETAILS

NO.	DATE	BY	REVISIONS

DATE: 07/17/12
SCALE: N.T.S.
DWG. BY: JK
CHK. BY: LFS
DRAWING NO.: TX-4188
SHEET 9 OF 10

