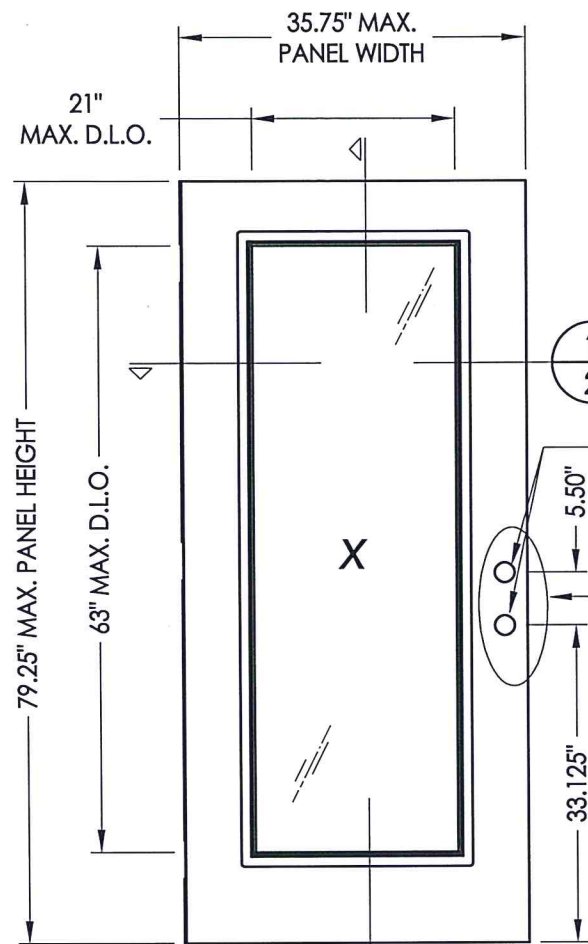
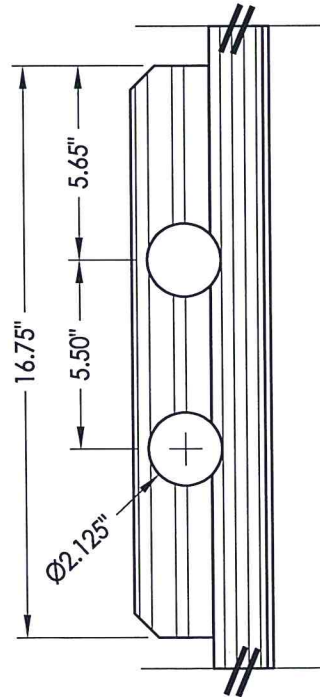


Z:\Clients\Trinity Glass PERMANENT\B - Texas Dept of Ins\DR-273\Drawings\TX-4154-57.dwg



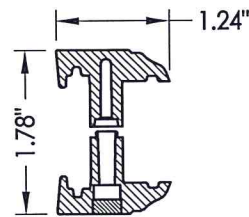
2
2

40 DOOR PANEL
Full life

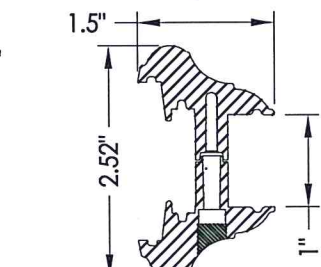


DETAIL 1

A3 FLUSH GLAZED FRAME
ABS or PC/ASA

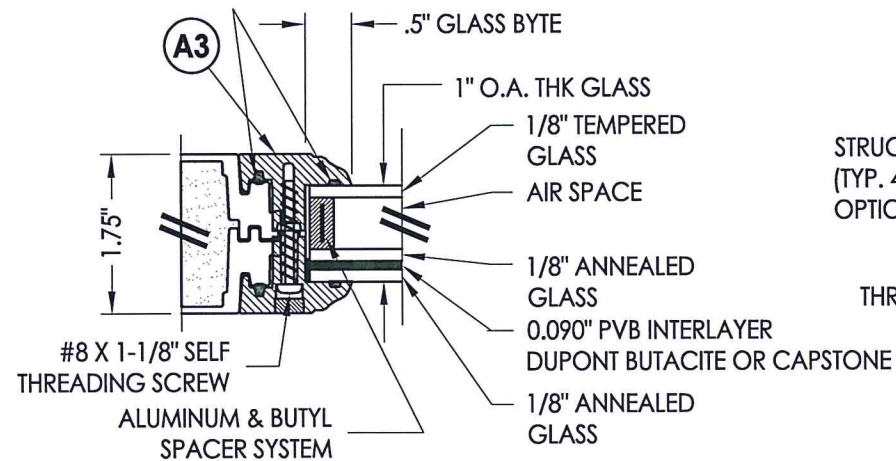


B3 MAHOGANY LITE FRAME
ABS or PC/ASA



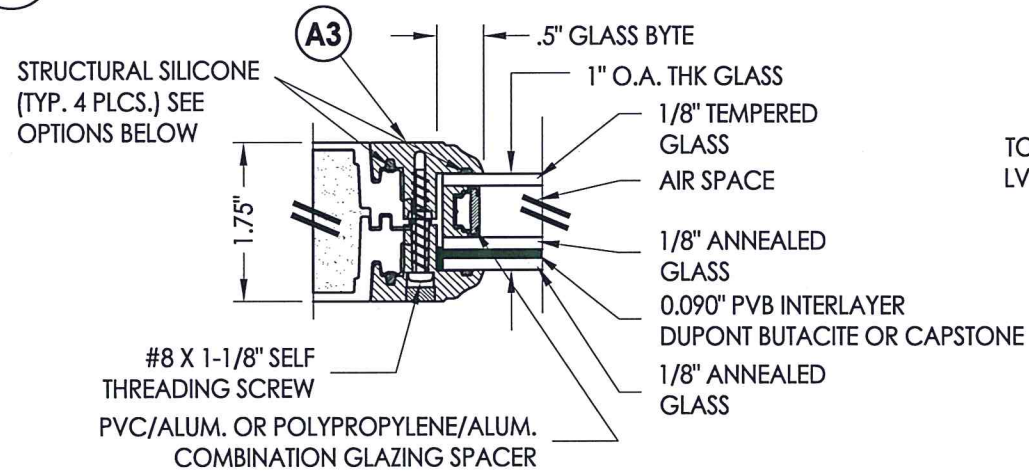
B3 MAHOGANY LITE FRAME
ABS or PC/ASA

STRUCTURAL SILICONE
(TYP. 4 PLCS.) SEE
OPTIONS BELOW

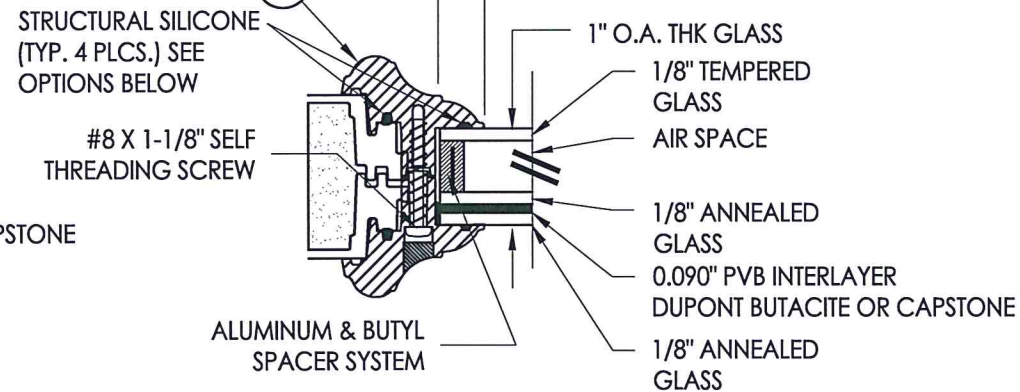


G1 GLAZING DETAIL

1
2 HORIZONTAL CROSS SECTION



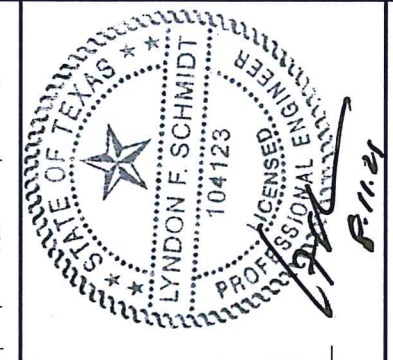
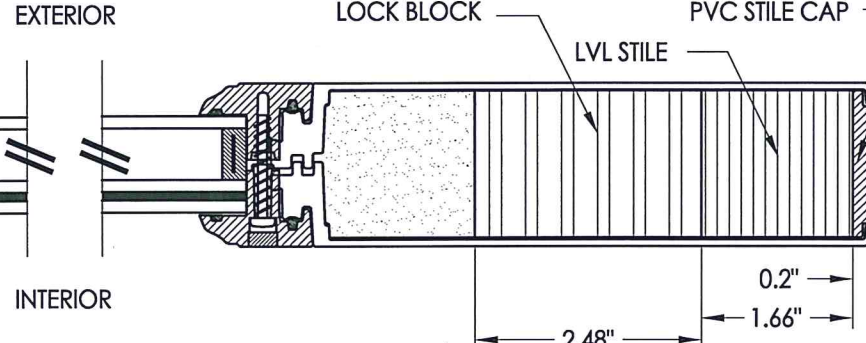
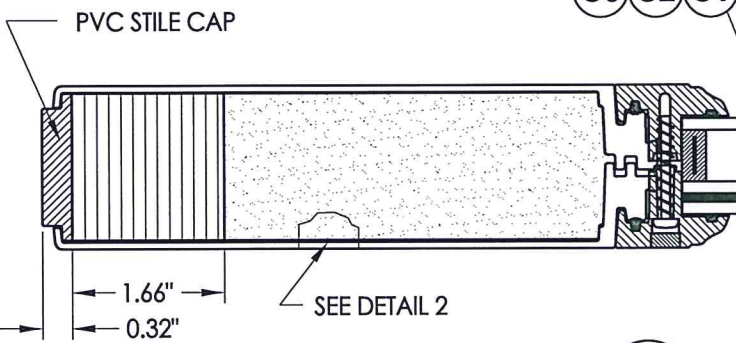
G2 GLAZING DETAIL



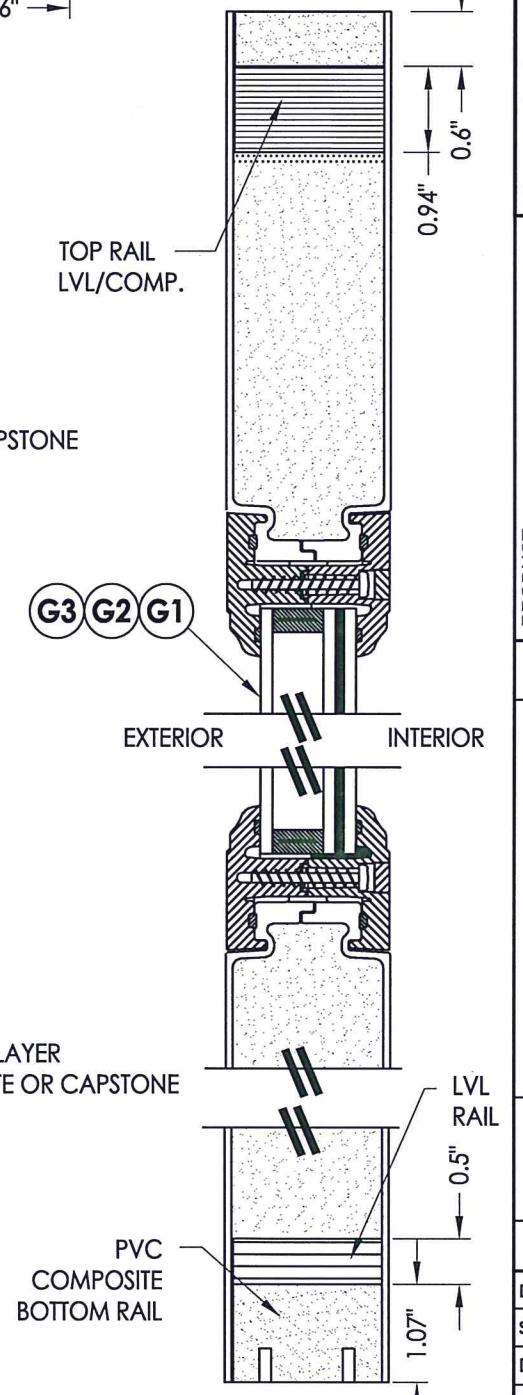
G3 GLAZING DETAIL

LITE FRAME SCREW SPACING:
At each corner plus 6 more along sides (11\"/>

STRUCTURAL SILICONE OPTIONS:
SILICONE BY CAPSTONE (4PL)
DOW 995 STRUCTURAL SILICONE
SILICONE BY DONGYANG SILICONE CO.



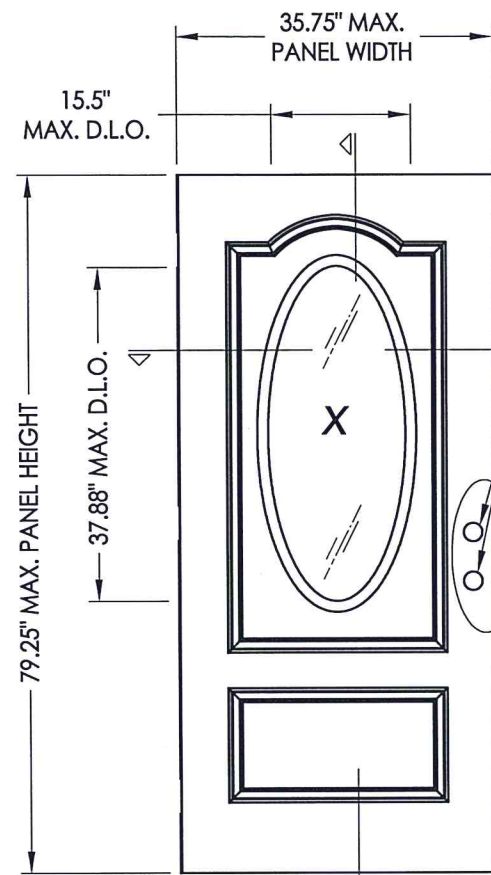
Documents Prepared By: Lyndon F. Schmidt, P.E.
TEXAS P.E. #104123
RW BUILDING CONSULTANTS, INC.
P.O. Box 230 Valrico FL 33595
Phone No.: 813.659.9197
TEXAS BOARD OF PROFESSIONAL ENGINEERS
CERTIFICATE OF REGISTRATION # F-11852



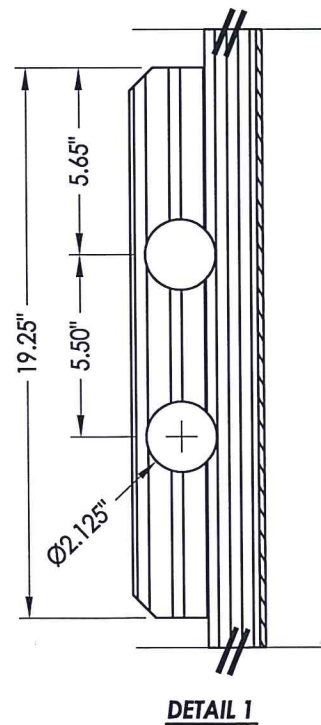
2 VERTICAL CROSS SECTION

PRODUCT:	TRINITY GLASS INT'L				
PART OR ASSEMBLY:	DOOR PANEL DETAILS				
NO.	1	DATE	8/10/21	UPDATE TO	2018 IBC/IRC
BY	LFS	DATE		DATE	
REVISIONS					
DATE:	5/10/12				
SCALE:	N.T.S.				
DWG. BY:	JK				
CHK. BY:	LFS				
DRAWING NO.:	TX-4155				
SHEET	2	OF	12		

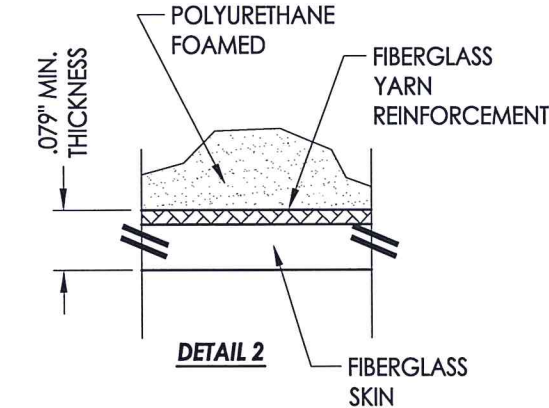
© 2012 R.W. BUILDING CONSULTANTS INC.



2
3
41 DOOR PANEL
Oval lite



DETAIL 1



DETAIL 2

1
3

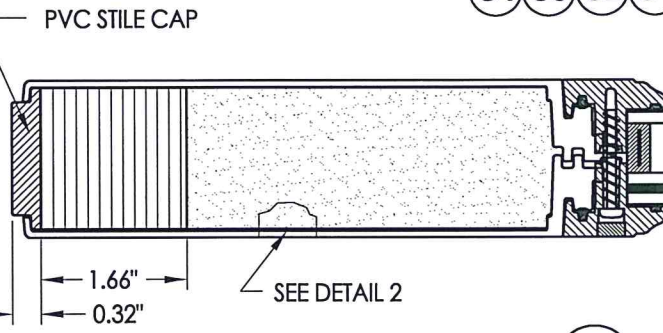
SEE HARDWARE CHART

SEE DETAIL 1

5.50\"/>

33.125\"/>

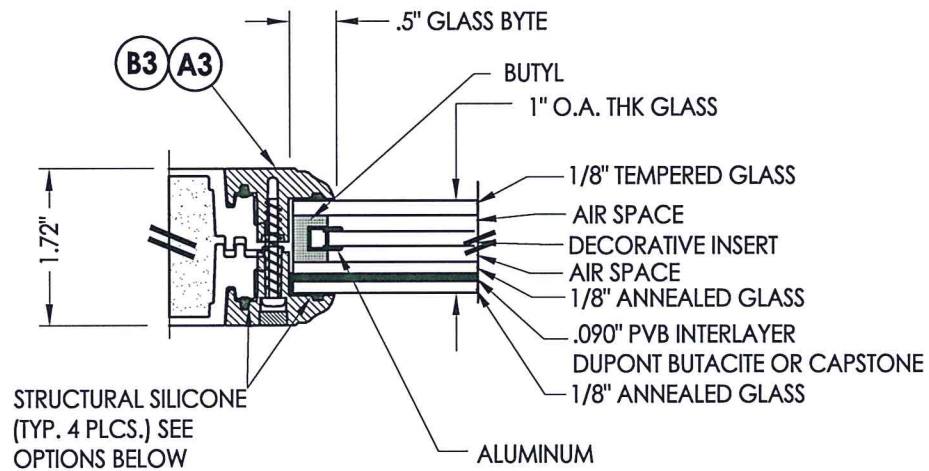
2
3



SEE DETAIL 2

1
3

HORIZONTAL CROSS SECTION



G4 GLAZING DETAIL

LITE FRAME SCREW SPACING:
At each corner plus 6 more along sides (11\"/>

STRUCTURAL SILICONE OPTIONS:
SILICONE BY CAPSTONE (4PL)
DOW 995 STRUCTURAL SILICONE
SILICONE BY DONGYANG SILICONE CO.

G4 G3 G2 G1

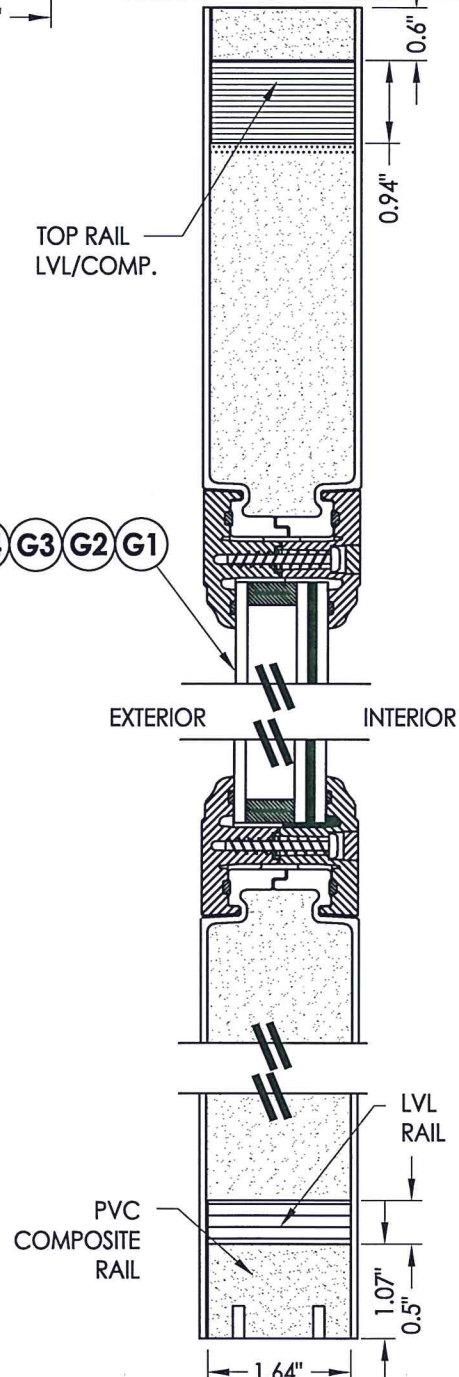
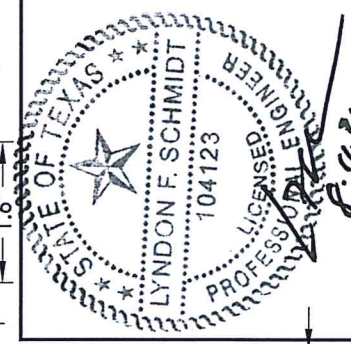
EXTERIOR

INTERIOR

LVL STILE

LOCK BLOCK

PVC STILE CAP



2
3 **VERTICAL CROSS SECTION**

Documents Prepared By: Lyndon F. Schmidt, P.E.
TEXAS P.E. #104123

RW BUILDING CONSULTANTS, INC.
P.O. Box 230 Valrico FL 33595
Phone No.: 813.659.9197

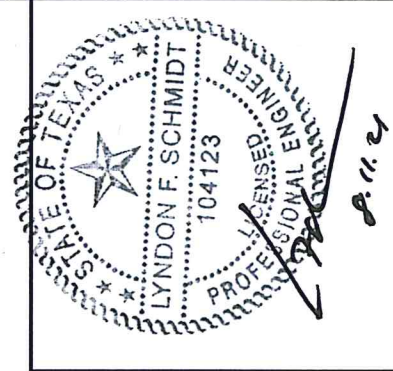
TEXAS BOARD OF PROFESSIONAL ENGINEERS
CERTIFICATE OF REGISTRATION # F-11852

PRODUCT: TRINITY GLASS INT'L

PART OR ASSEMBLY: DOOR PANEL DETAILS AND GLAZING DETAILS

NO.	DATE	BY	REVISIONS
1	8/10/21	LFS	UPDATE TO 2018 IBC/IRC

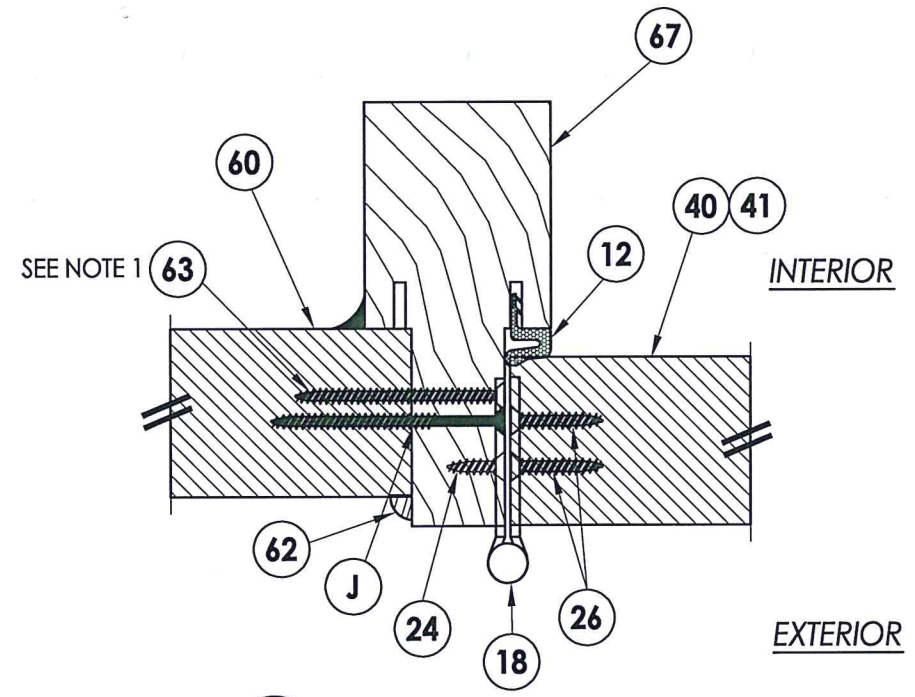
DATE: 5/10/12
SCALE: N.T.S.
DWG. BY: JK
CHK. BY: LFS
DRAWING NO.: TX-4155
SHEET 3 OF 12



Documents Prepared By: Lyndon F. Schmidt, P.E.
TEXAS P.E. #104123

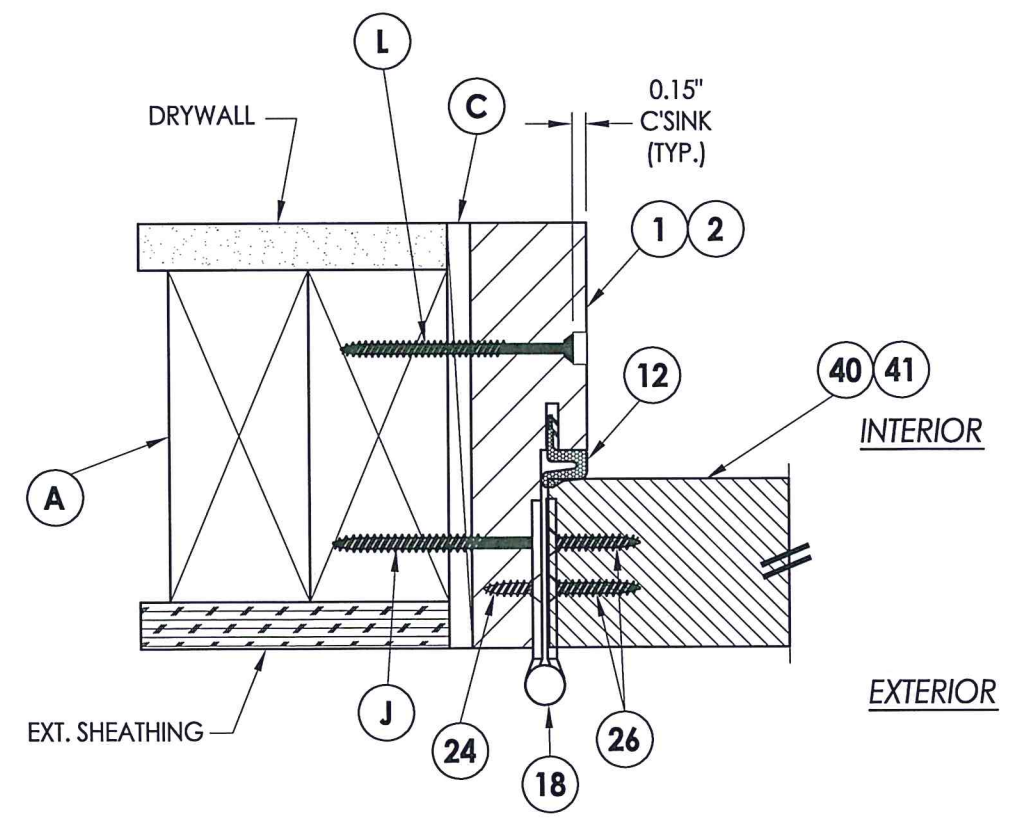
RW BUILDING CONSULTANTS, INC.
P.O. Box 230 Valrico FL 33595
Phone No.: 813.659.9197

TEXAS BOARD OF PROFESSIONAL ENGINEERS
CERTIFICATE OF REGISTRATION # F-11852

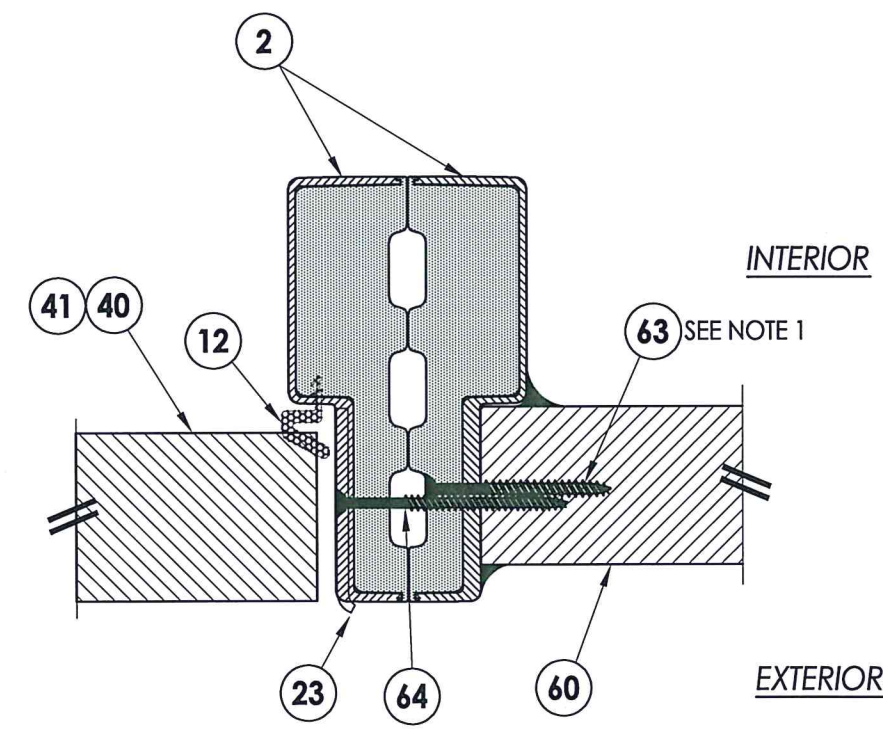


4 HORIZONTAL CROSS SECTION
6 Shown w/ wood integral mullion

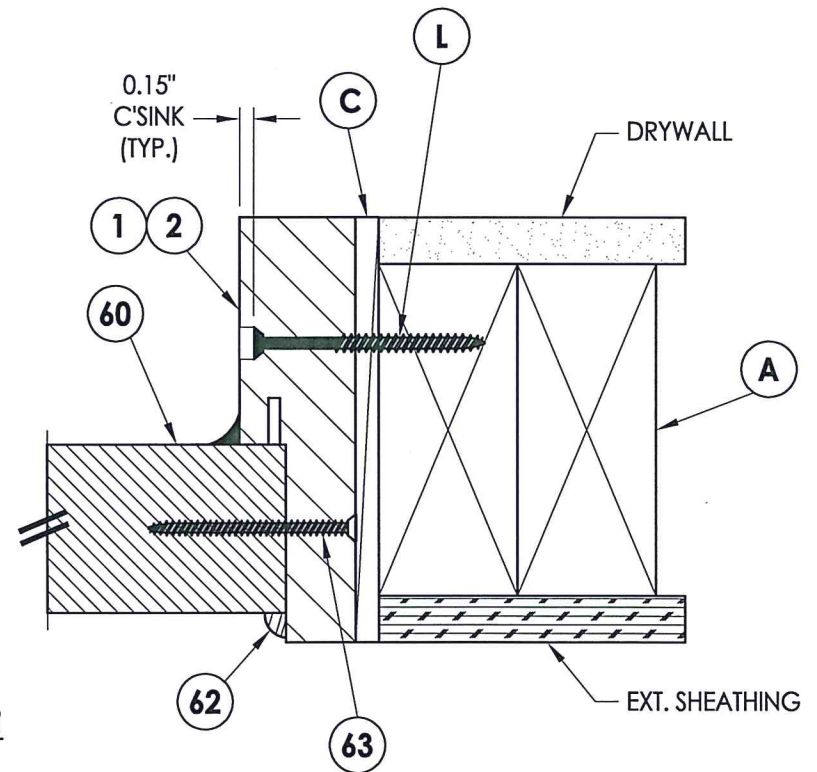
NOTE:
1. Item #63 located 6" from each end and 3 more equally spaced (5 total).



1 HORIZONTAL CROSS SECTION
6



2 HORIZONTAL CROSS SECTION
6 Shown w/ PVC jambs (back-to-back)



3 HORIZONTAL CROSS SECTION
6

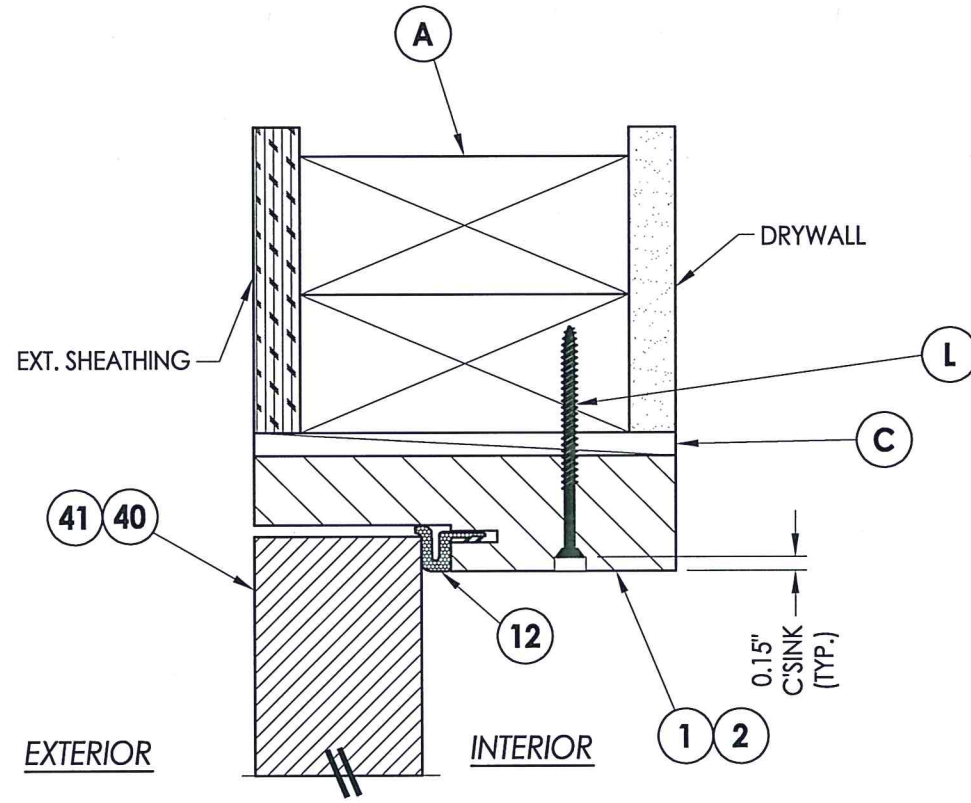
PRODUCT:	TRINITY GLASS INT'L	
PART OR ASSEMBLY:	HORIZONTAL CROSS SECTIONS	
NO.	DATE	BY
1	8/10/21	LFS
UPDATE TO 2018 IBC/IRC		
REVISIONS		
DATE:	5/10/12	
SCALE:	N.T.S.	
DWG. BY:	JK	
CHK. BY:	LFS	
DRAWING NO.:	TX-4155	
SHEET	6 OF 12	



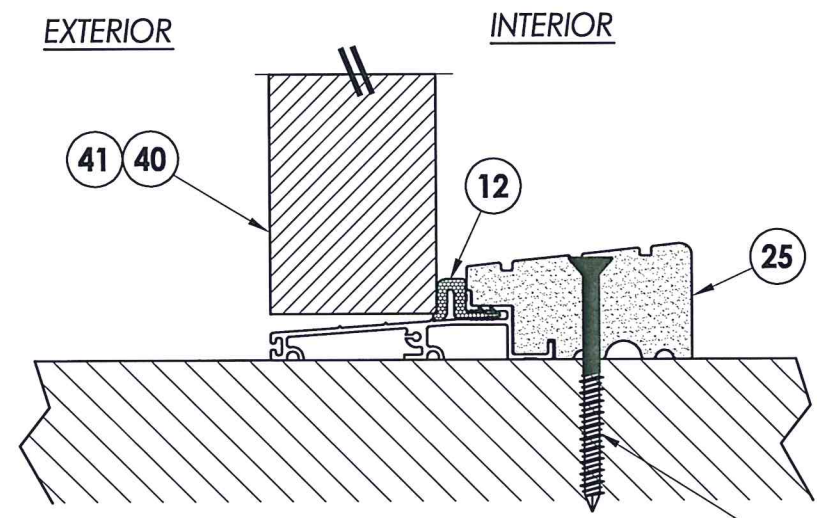
Documents Prepared By: Lyndon F. Schmidt, P.E.
TEXAS P.E. #104123

RW BUILDING CONSULTANTS, INC.
P.O. Box 230 Valrico FL 33595
Phone No.: 813.659.9197

TEXAS BOARD OF PROFESSIONAL ENGINEERS
CERTIFICATE OF REGISTRATION # F-11852

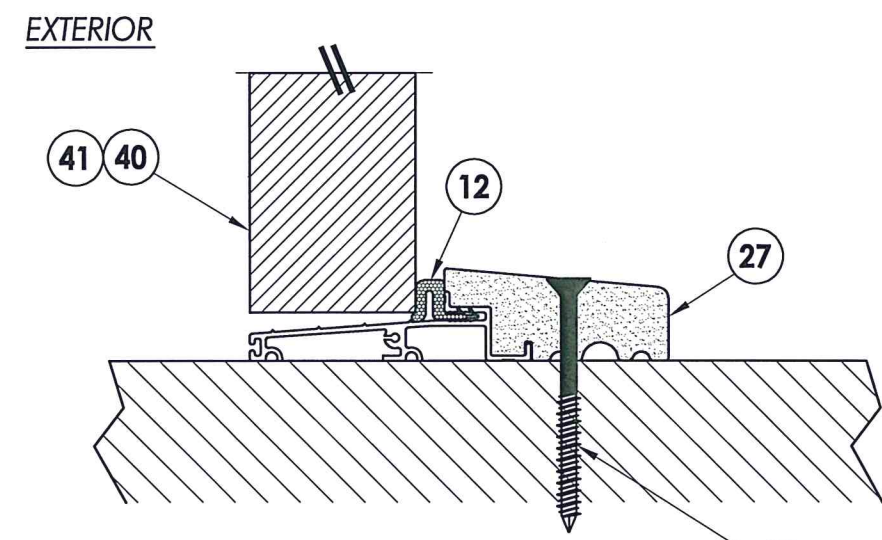


1
7 VERTICAL CROSS SECTION



2
7 VERTICAL CROSS SECTION
Outswing sill - high dam

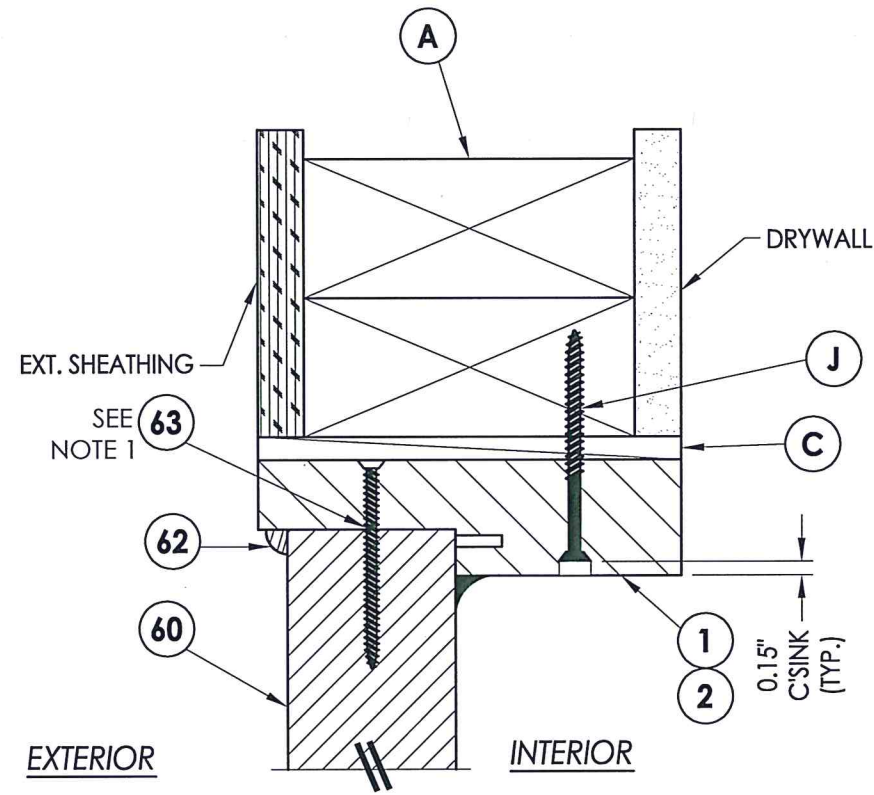
P WOOD
D CONCRETE



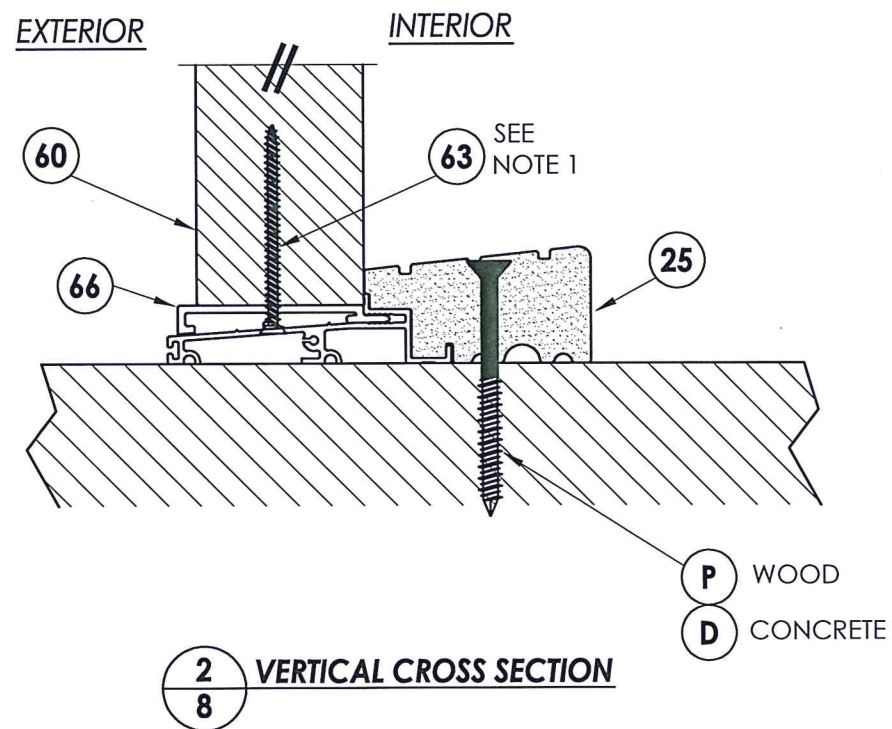
3
7 VERTICAL CROSS SECTION
Outswing sill

P WOOD
D CONCRETE

PRODUCT: TRINITY GLASS INT'L	
PART OR ASSEMBLY: VERTICAL CROSS SECTIONS	
NO.	DATE
1	8/10/21
UPDATE TO 2018 IBC/IRC	
LFS	BY
REVISIONS	
DATE: 5/10/12	
SCALE: N.T.S.	
DWG. BY: JK	
CHK. BY: LFS	
DRAWING NO.: TX-4155	
SHEET 7 of 12	



1
8 VERTICAL CROSS SECTION

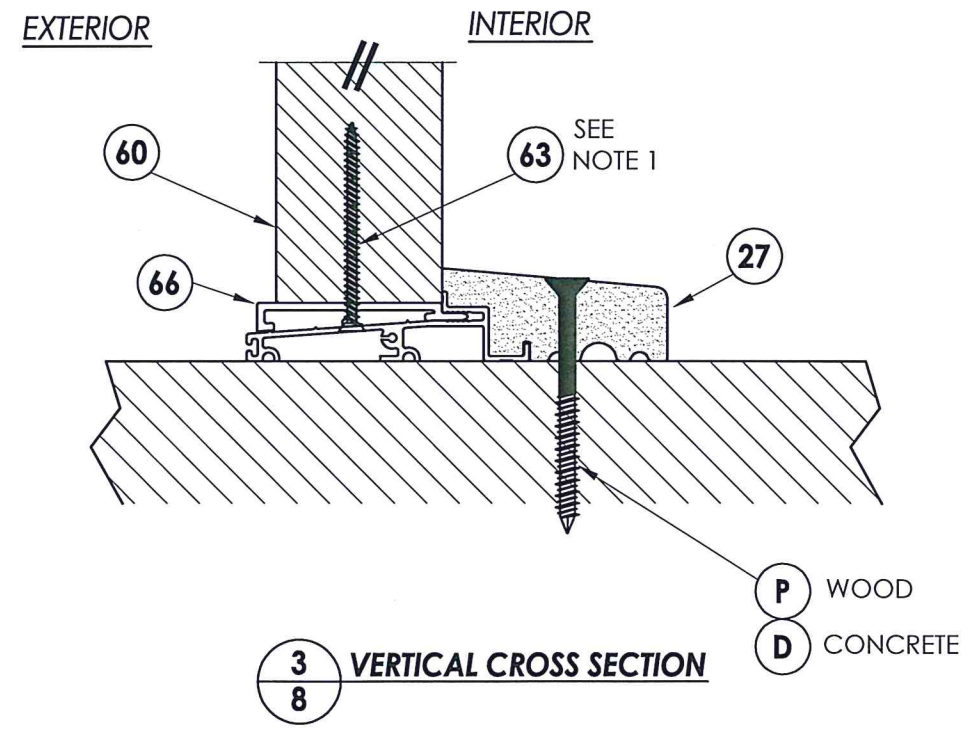


2
8 VERTICAL CROSS SECTION

P WOOD
D CONCRETE

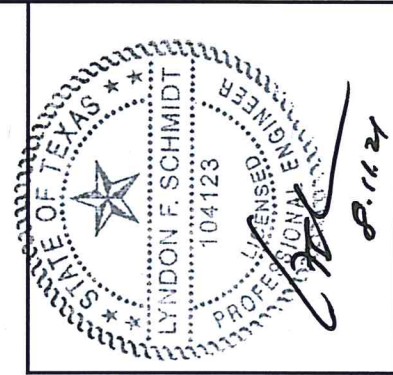
NOTE:

1. Screws thru head and sill jamb located 3" from each end and O.C. (TYP.) line.



3
8 VERTICAL CROSS SECTION

P WOOD
D CONCRETE



Documents Prepared By: Lyndon F. Schmidt, P.E.
TEXAS P.E. #104123

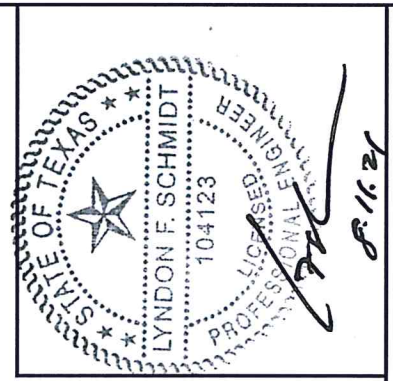
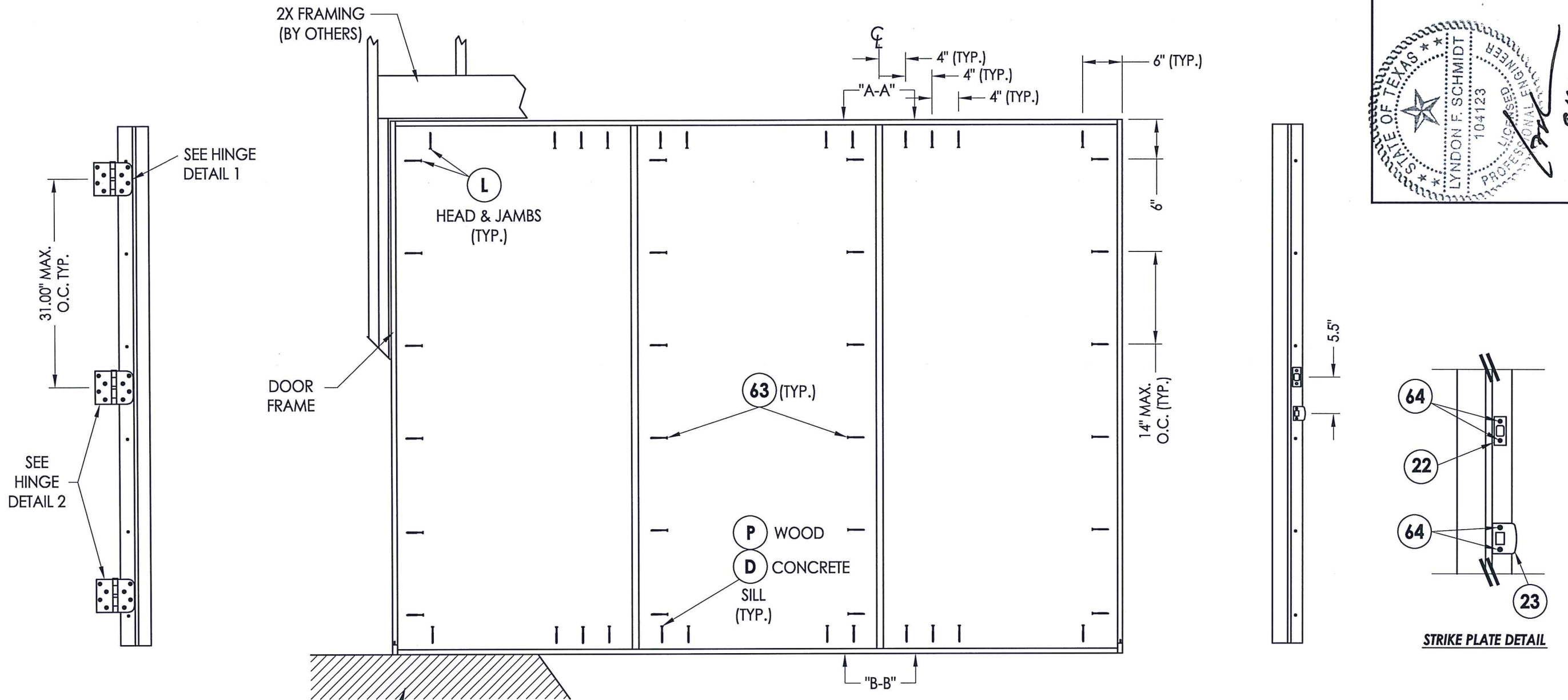
RW BUILDING CONSULTANTS, INC.
P.O. Box 230 Vairico FL 33595
Phone No.: 813.659.9197
TEXAS BOARD OF PROFESSIONAL ENGINEERS
CERTIFICATE OF REGISTRATION # F-11852

PRODUCT: TRINITY GLASS INT'L

PART OR ASSEMBLY: VERTICAL CROSS SECTIONS

NO.	DATE	REVISIONS	BY
1	8/10/21	UPDATE TO 2018 IBC/IRC	LFS

DATE: 5/10/12
SCALE: N.T.S.
DWG. BY: JK
CHK. BY: LFS
DRAWING NO.: TX-4155
SHEET 8 OF 12



Documents Prepared By: Lyndon F. Schmidt, P.E.
TEXAS P.E. #104123

RW BUILDING CONSULTANTS, INC.
P.O. Box 230 Valrico FL 33595
Phone No.: 813.659.9197

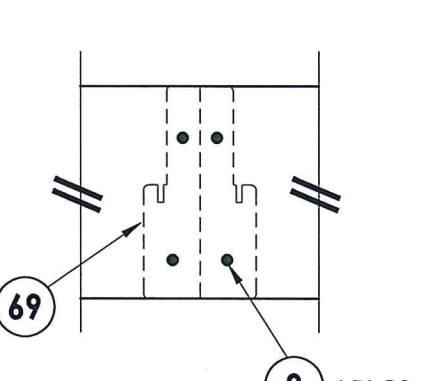
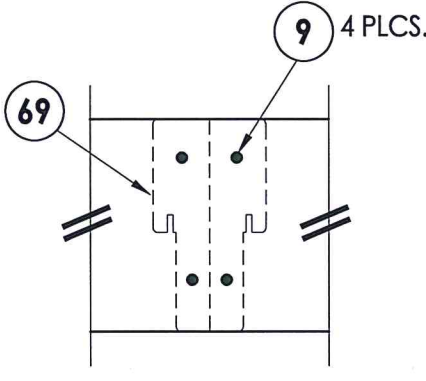
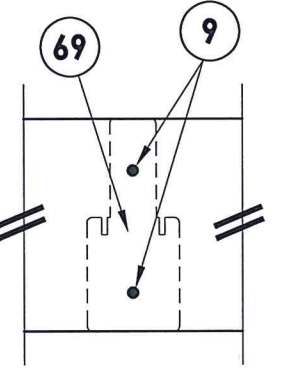
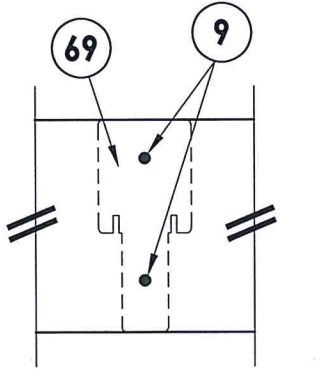
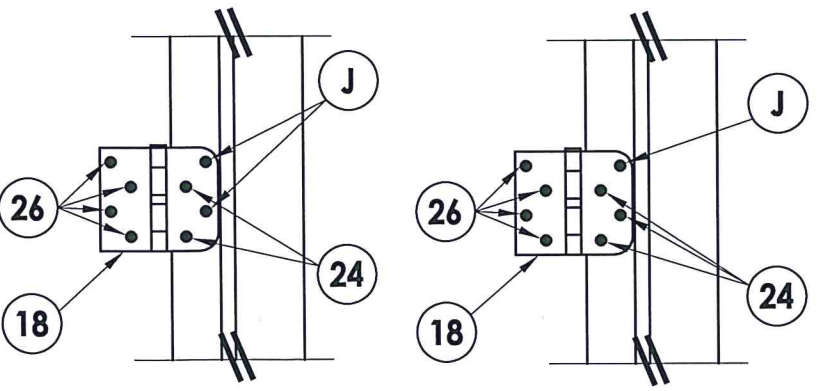
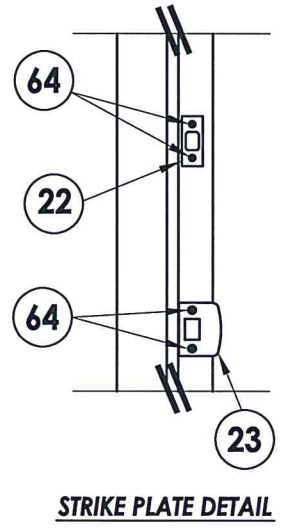
TEXAS BOARD OF PROFESSIONAL ENGINEERS
CERTIFICATE OF REGISTRATION # F-11852

HINGE JAMB

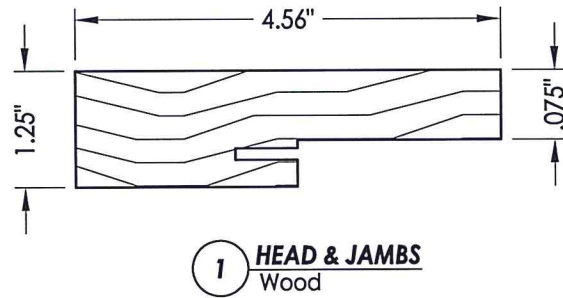
FRAME ANCHORING

STRIKE JAMB

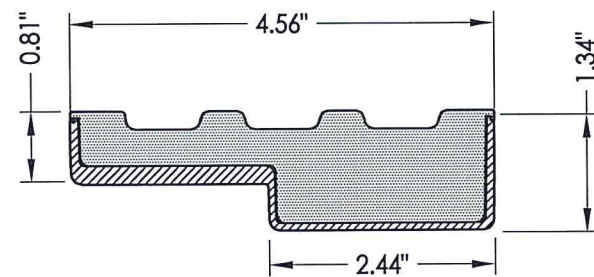
FLOOR SUBSTRATE MATERIAL (TYP.)
CONCRETE (MIN. 3000 PSI)
WOOD (G >= 0.42)



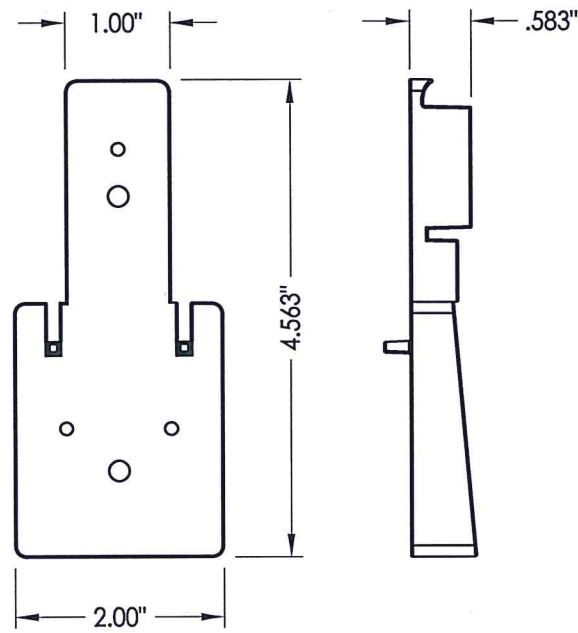
PRODUCT:	TRINITY GLASS INT'L
PART OR ASSEMBLY:	FRAME ANCHORING (OXO)
NO.	1
DATE	8/10/21
BY	LFS
REVISIONS	UPDATE TO 2018 IBC/IRC
DATE	
DATE	5/10/12
SCALE:	N.T.S.
DWG. BY:	JK
CHK. BY:	LFS
DRAWING NO.:	TX-4155
SHEET	10 of 12



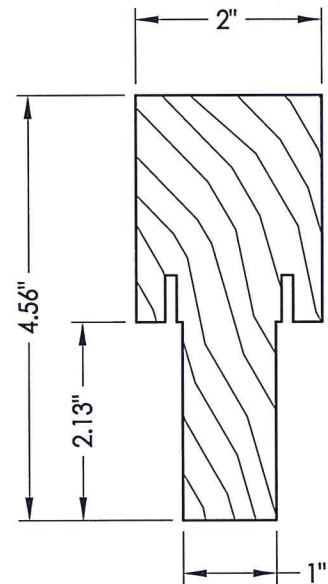
1 HEAD & JAMBS
Wood



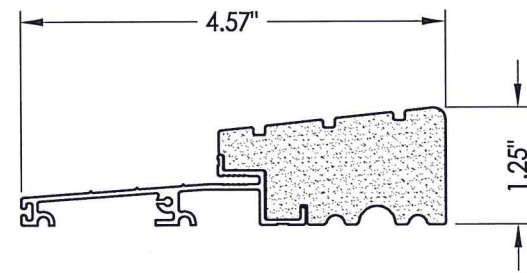
2 HEAD & JAMBS
Composite PVC Base
w/ Fiberglass Wrap



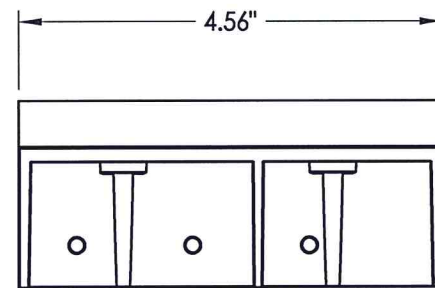
69 MULLION BASE KIT
Optional



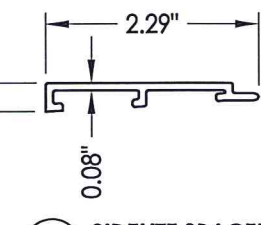
67 INTEGRAL MULLION



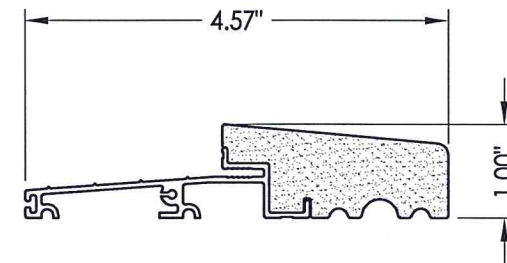
25 OUTSWING THRESHOLD
High-dam option



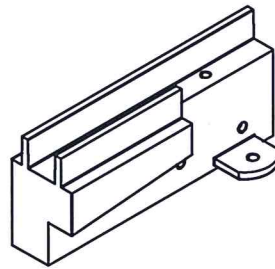
19 SILLKEY DETAILS
Optional



66 SIDELITE SPACER
Outswing



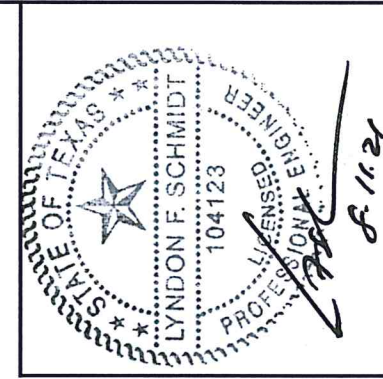
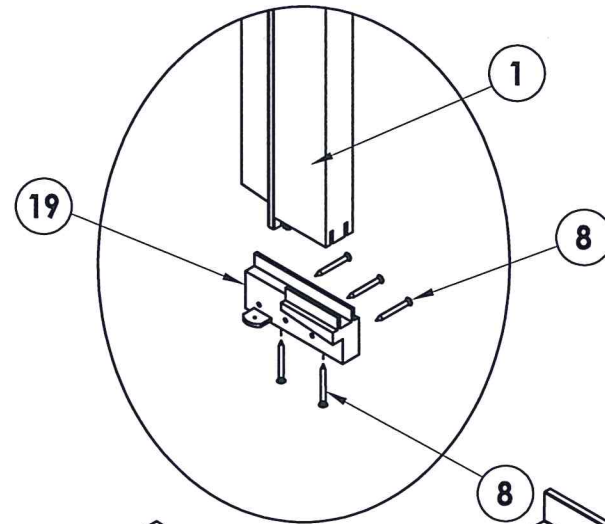
27 OUTSWING THRESHOLD



SILLKEY, LEFT
SCALE: NONE



SILLKEY, RIGHT
SCALE: NONE



Documents Prepared By: Lyndon F. Schmidt, P.E.
TEXAS P.E. #104123

RW BUILDING CONSULTANTS, INC.
P.O. Box 230 Valrico FL 33595
Phone No.: 813.659.9197
TEXAS BOARD OF PROFESSIONAL ENGINEERS
CERTIFICATE OF REGISTRATION # F-11852

PRODUCT: TRINITY GLASS INT'L

PART OR ASSEMBLY: COMPONENTS

NO.	DATE	REVISIONS
1	8/10/21	UPDATE TO 2018 IBC/IRC
		LFS
		BY

DATE: 5/10/12

SCALE: N.T.S.

DWG. BY: JK

CHK. BY: LFS

DRAWING NO.: TX-4155

SHEET 11 OF 12

