



TRINITY GLASS
INTERNATIONAL

33615 1st Way S, Federal Way, WA 98003

GLAZED FIBERGLASS SINGLE DOOR

OUTSWING
"IMPACT"

EVALUATED FOR USE IN THE STATE OF TEXAS

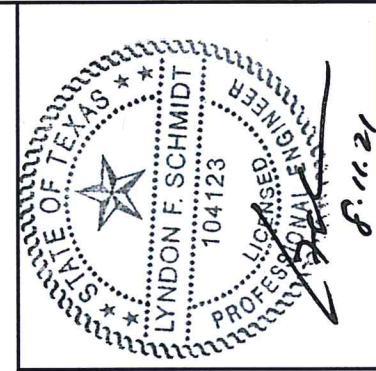
DR-273

The Fiberglass Door system described herein complies with the 2018 International Residential Code (IRC), Sections R301 & R609 and the 2018 International Building Code (IBC), Sections 1404.13, 1609, 1709.5, 2403 and 2404 subject to the following conditions:

1. Anchors shall be as listed and spaced as shown in the details. Anchor embedment to base material shall be beyond wall dressing or stucco.
2. This system has been tested and evaluated as a large missile impact protective system for installation in areas requiring wind-borne debris protection. This product meets missile level "D" as defined in ASTM E 1996.
3. Allowable design pressure requirements must be equal to or less than the design pressure rating shown in the design pressure chart, sheet 1 of this drawing.
4. Conditions not covered by this drawing are subject to further engineering analysis.

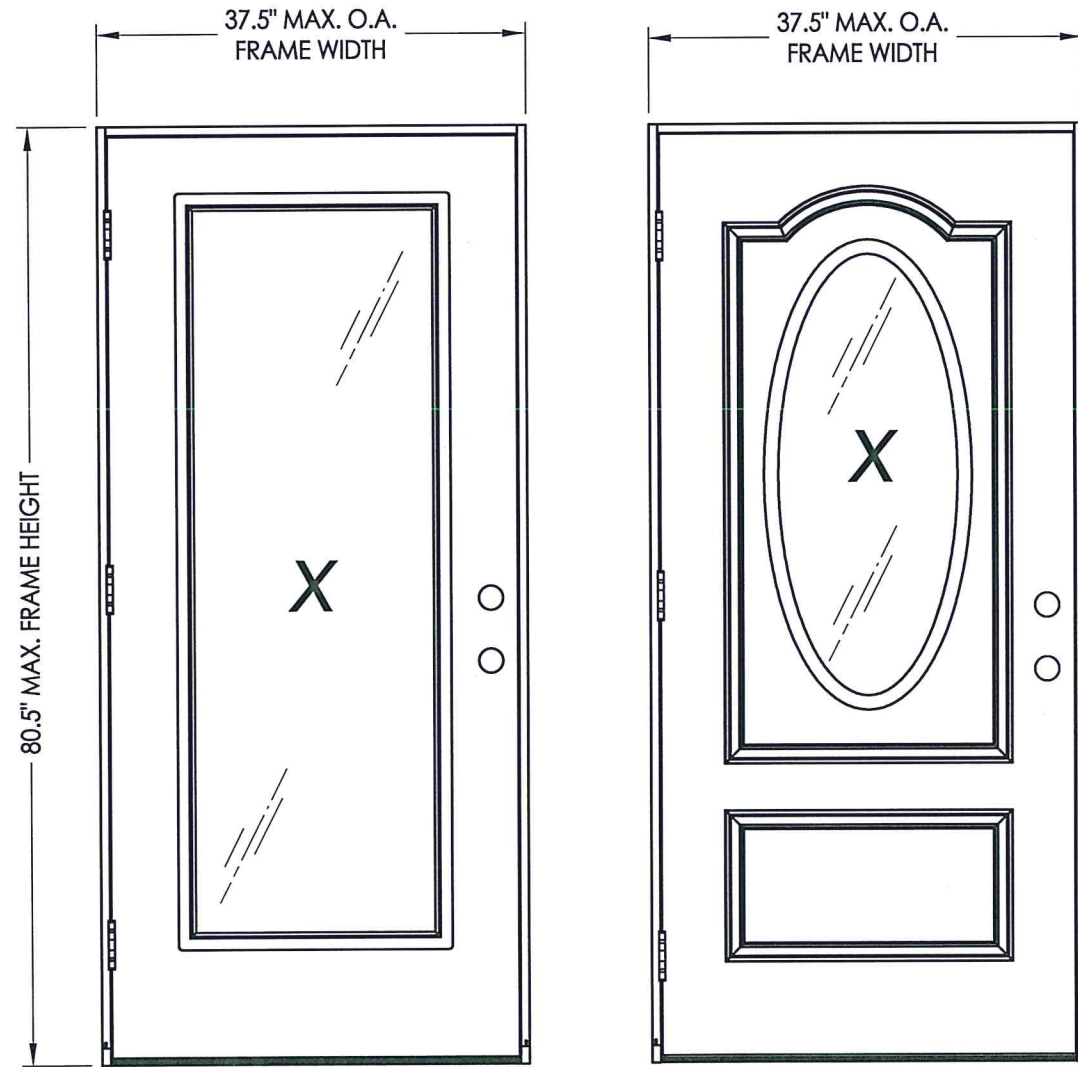
TABLE OF CONTENTS

SHEET#	DESCRIPTION
1	Typical elevations, design pressures & general notes
2	Door panel details and glazing details
3	Door panel details and glazing details
4	Horizontal cross sections
5	Vertical cross sections
6	Frame anchoring (X)
7	Components
8	Bill of materials



Documents Prepared By: Lyndon F. Schmidt, P.E.
TEXAS P.E. #104123

RW BUILDING CONSULTANTS, INC.
P.O. Box 250 Valrico FL 33595
Phone No.: 813.659.9197
TEXAS BOARD OF PROFESSIONAL ENGINEERS
CERTIFICATE OF REGISTRATION # F-11852

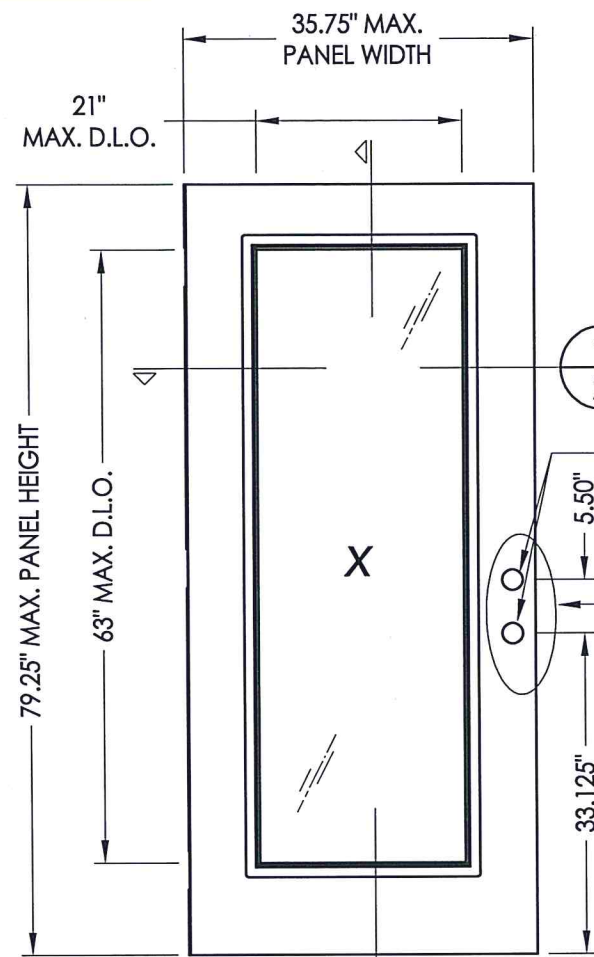


RECTANGULAR LITE

OVAL LITE

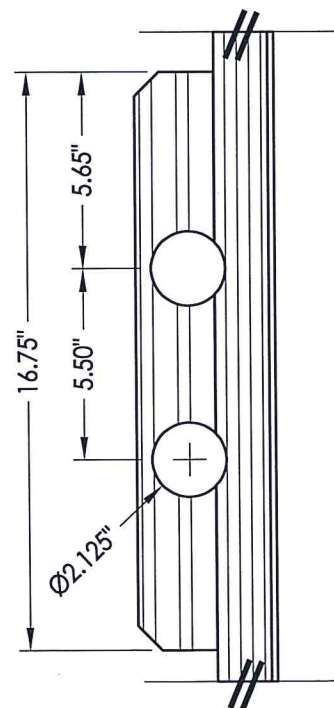
DOOR LITE	MAX. FRAME DIMENSION	GLASS TYPE	DESIGN PRESSURE (PSF) WOOD JAMBS		DESIGN PRESSURE (PSF) PVC or FIBERGLASS/COMP JAMBS	
			POSITIVE	NEGATIVE	POSITIVE	NEGATIVE
RECTANGULAR	37.5" x 80.5"	G1, G2 & G3	+60.0	-60.0	+60.0	-60.0
OVAL	37.5" x 80.5"	G1, G4	+75.0	-75.0	+60.0	-60.0

PRODUCT:	TRINITY GLASS INT'L
PART OR ASSEMBLY:	TYPICAL ELEVATION, DESIGN PRESSURES & GENERAL NOTES
DATE	8/10/21
NO.	1
BY	LFS
REVISIONS	
DATE:	5/10/12
SCALE:	N.T.S.
DWG. BY:	JK
CHK. BY:	LFS
DRAWING NO.:	TX-4154
SHEET	1 OF 8

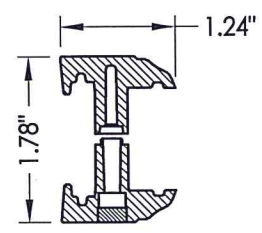


2
2

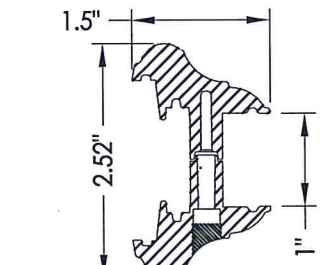
40 DOOR PANEL
Full lite



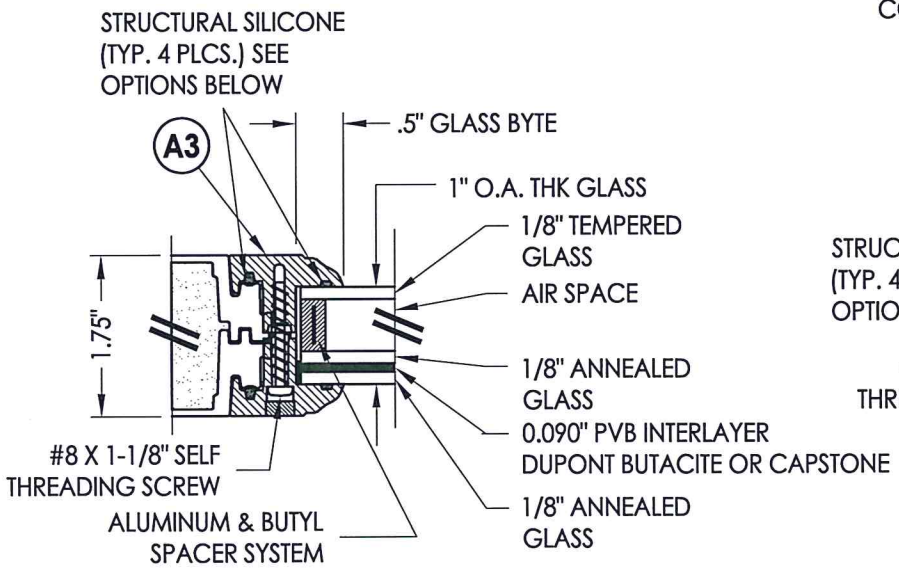
DETAIL 1



A3 FLUSH GLAZED FRAME
ABS or PC/ASA

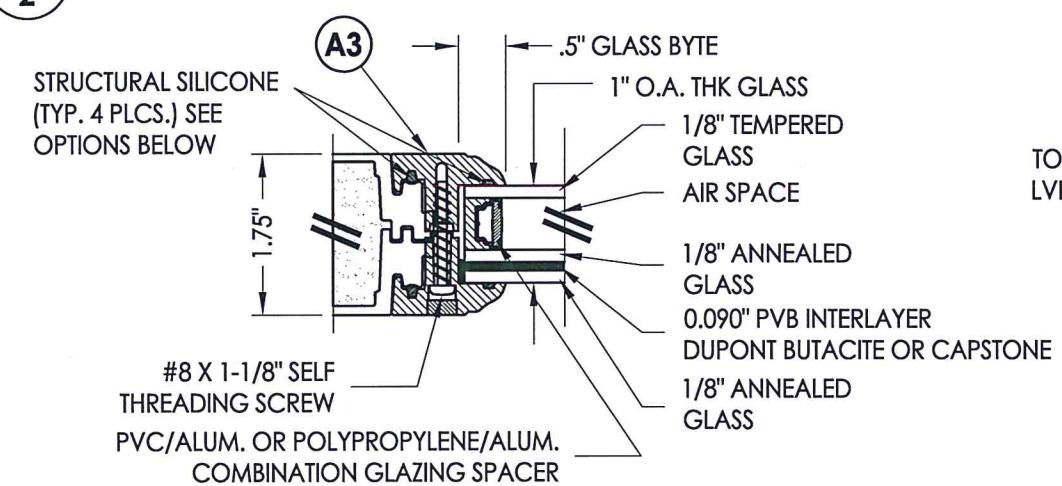


B3 MAHOGANY LITE FRAME
ABS or PC/ASA

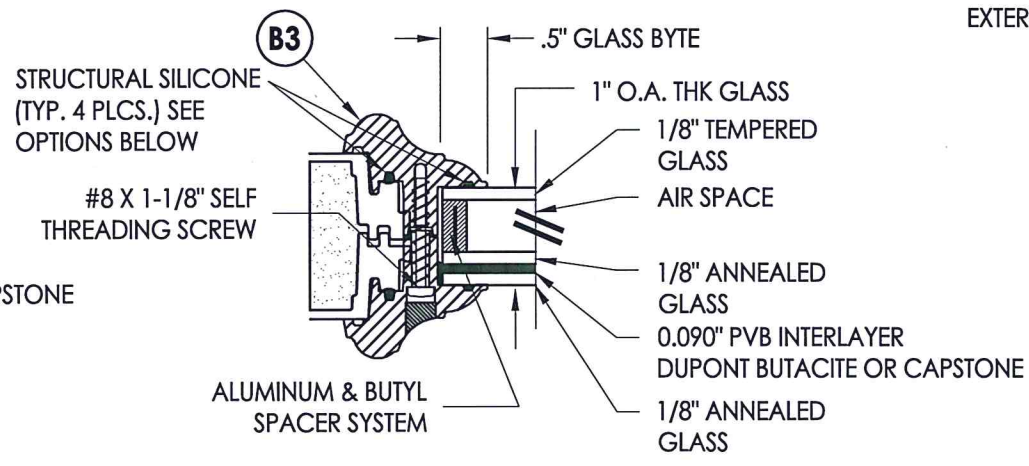


G1 GLAZING DETAIL

1
2 HORIZONTAL CROSS SECTION



G2 GLAZING DETAIL

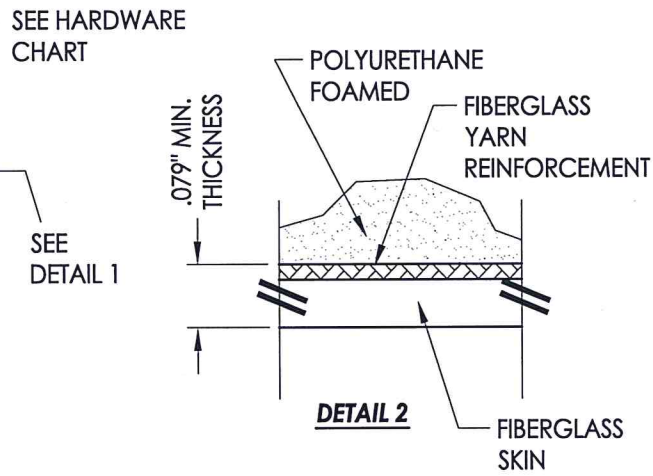


G3 GLAZING DETAIL

LITE FRAME SCREW SPACING:
At each corner plus 6 more along sides (11\"/>

HARDWARE CHART	
MANUFACTURER	MODEL
KWIKSET	KNOB: SIGNATURE SERIES (740) DEADBOLT: SIGNATURE SERIES (980)

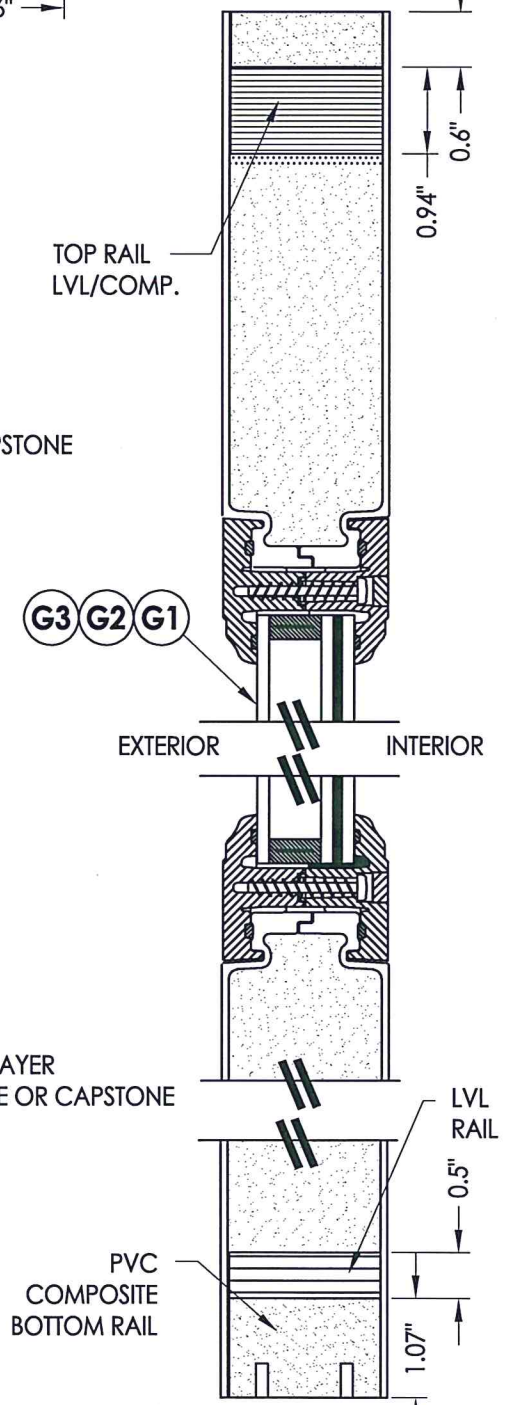
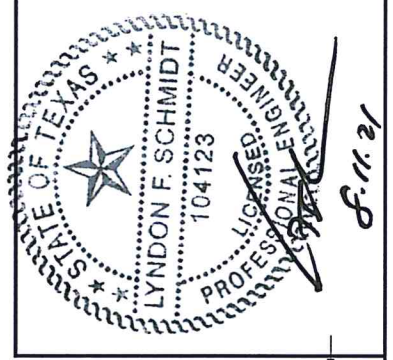
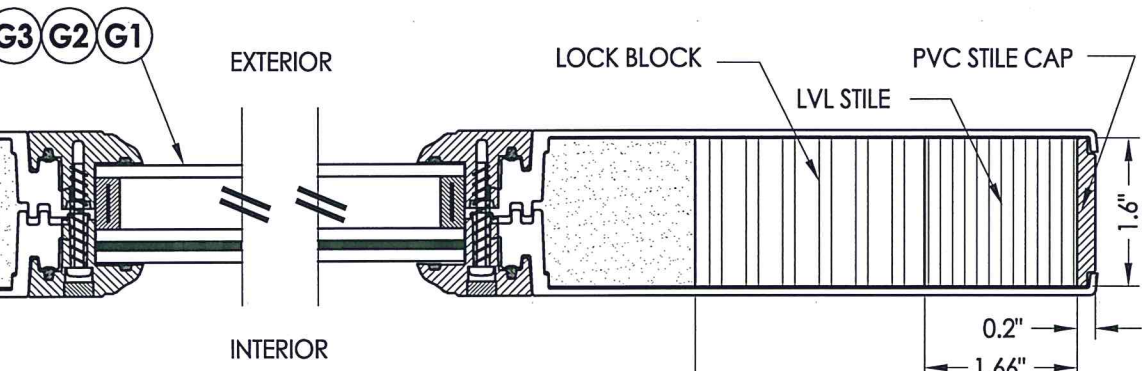
STRUCTURAL SILICONE OPTIONS:
SILICONE BY CAPSTONE (4PL)
DOW 995 STRUCTURAL SILICONE
SILICONE BY DONGYANG SILICONE CO.



DETAIL 2

SEE HARDWARE CHART

SEE DETAIL 1



2
2 VERTICAL CROSS SECTION

Documents Prepared By: Lyndon F. Schmidt, P.E.
TEXAS P.E. #104123

RW BUILDING CONSULTANTS, INC.
P.O. Box 230 Valrico FL 33595
Phone No.: 813.659.9197

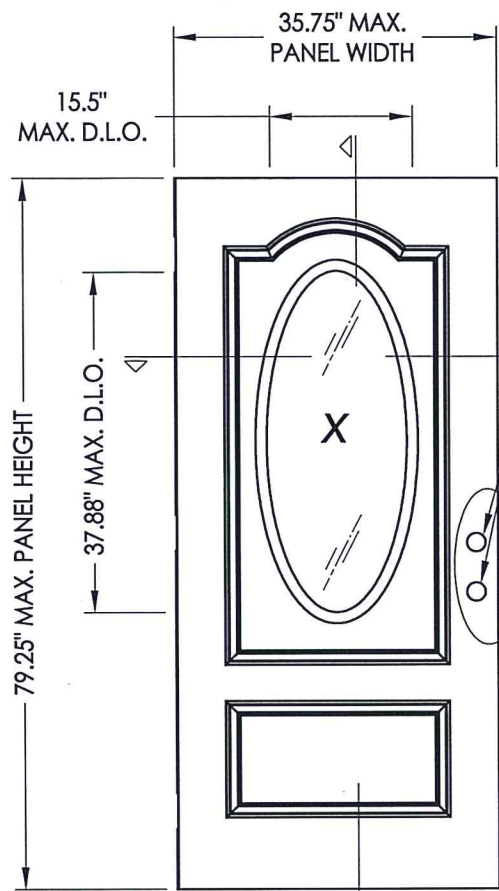
TEXAS BOARD OF PROFESSIONAL ENGINEERS
CERTIFICATE OF REGISTRATION # F-11852

PRODUCT: TRINITY GLASS INT'L

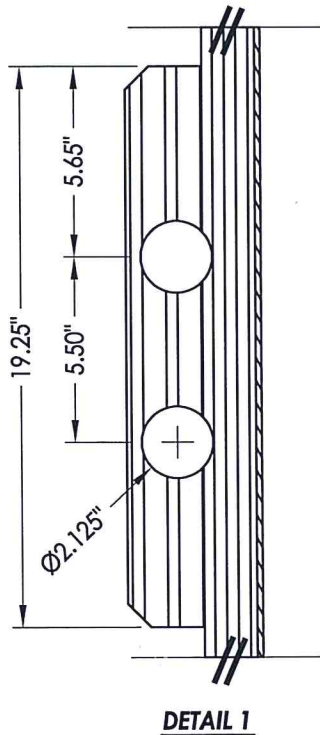
PART OR ASSEMBLY: DOOR PANEL DETAILS AND GLAZING DETAILS

NO.	DATE	REVISIONS
1	8/10/21	UPDATE TO 2018 IBC/IRC
LFS		BY

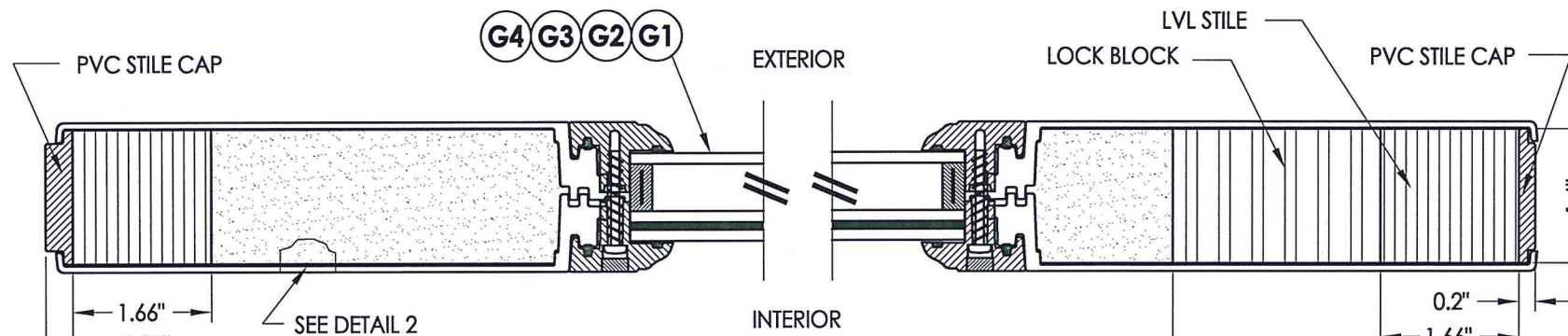
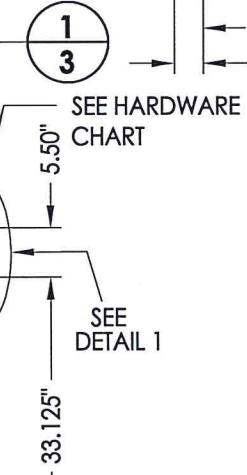
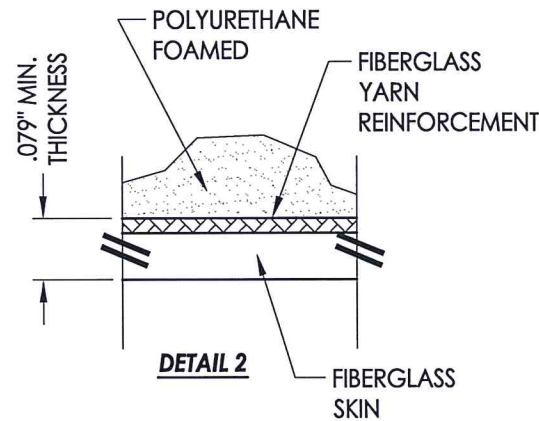
DATE: 5/10/12
SCALE: N.T.S.
DWG. BY: JK
CHK. BY: LFS
DRAWING NO.: TX-4154
SHEET 2 OF 8



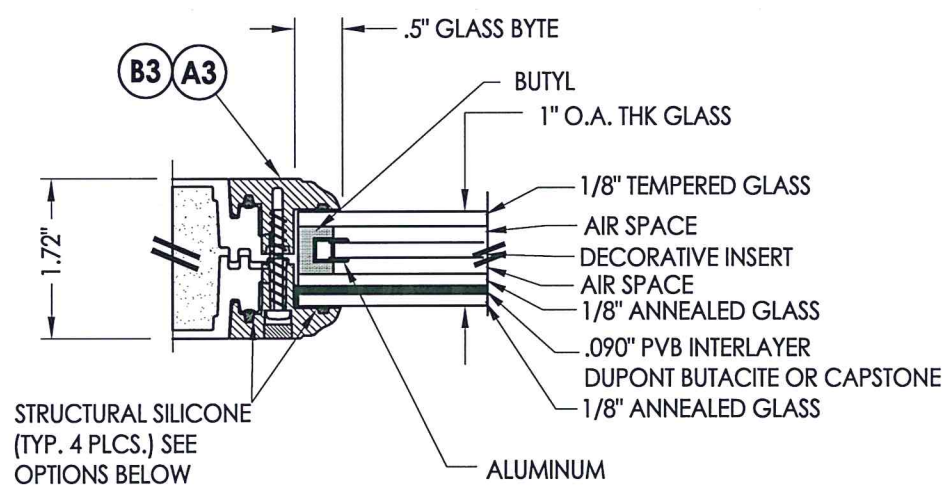
41 DOOR PANEL
Oval lite



HARDWARE CHART	
MANUFACTURER	MODEL
KWIKSET	KNOB: SIGNATURE SERIES (740) DEADBOLT: SIGNATURE SERIES (780)



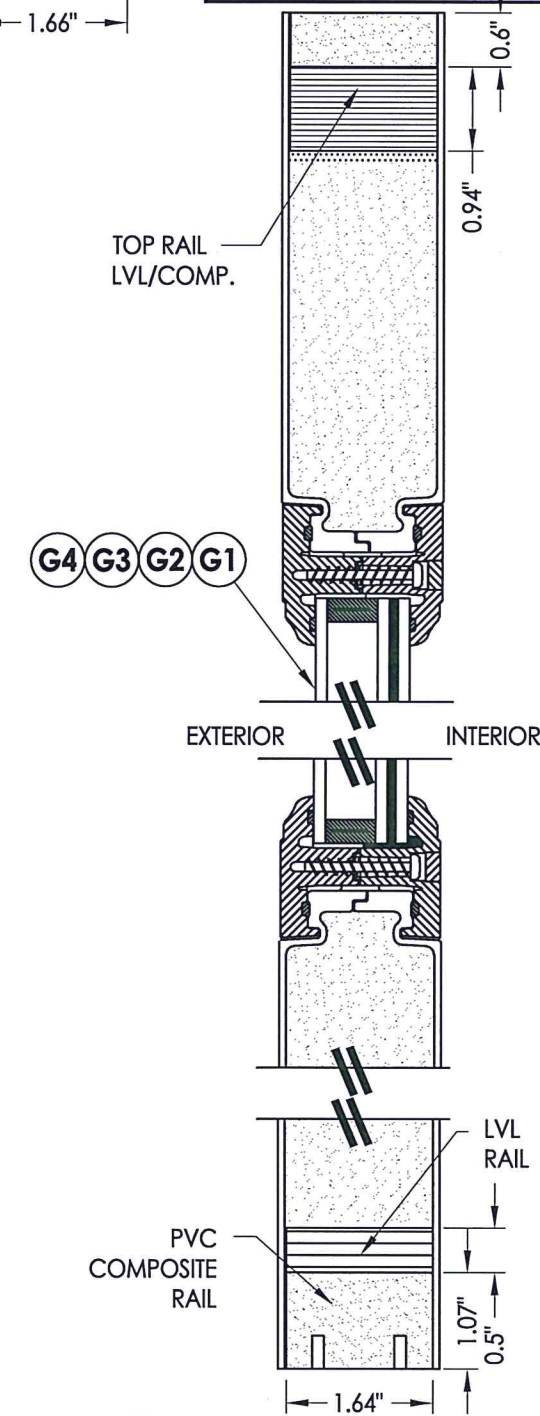
1 HORIZONTAL CROSS SECTION



G4 GLAZING DETAIL

LITE FRAME SCREW SPACING:
At each corner plus 6 more along sides (11" max. o.c.) & 2 more along top & bottom (8" max. o.c.).

STRUCTURAL SILICONE OPTIONS:
SILICONE BY CAPSTONE (4PL)
DOW 995 STRUCTURAL SILICONE
SILICONE BY DONGYANG SILICONE CO.



2 VERTICAL CROSS SECTION

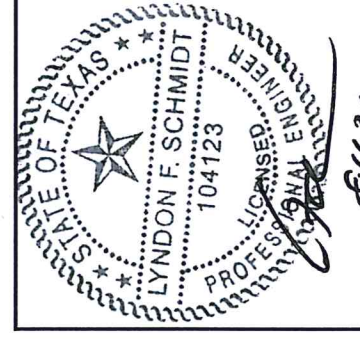


Documents Prepared By: Lyndon F. Schmidt, P.E.
TEXAS P.E. #104123

RW BUILDING CONSULTANTS, INC.
P.O. Box 230 Valrico FL 33595
Phone No.: 813.659.9197

TEXAS BOARD OF PROFESSIONAL ENGINEERS
CERTIFICATE OF REGISTRATION # F-11852

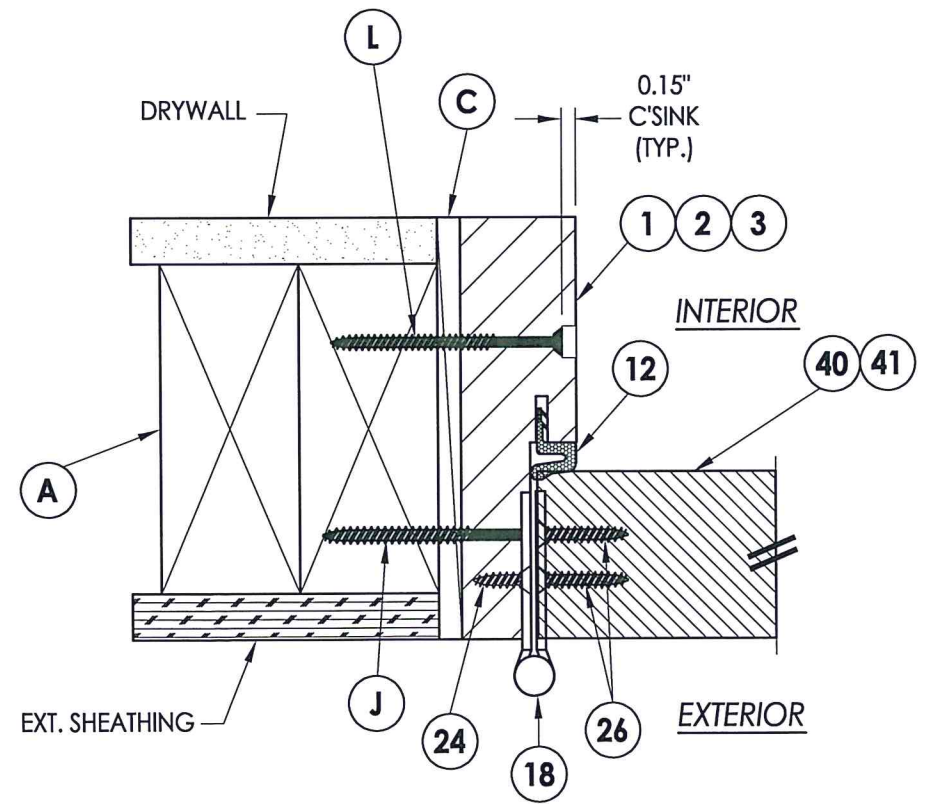
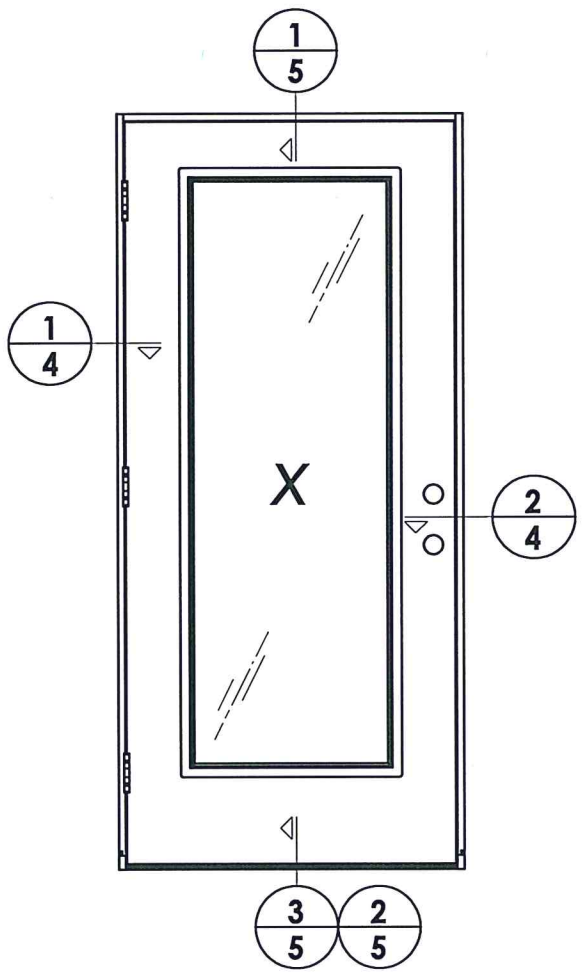
PRODUCT:	TRINITY GLASS INT'L
PART OR ASSEMBLY:	DOOR PANEL DETAILS AND GLAZING DETAILS
NO.	1
DATE	8/10/21
UPDATE TO	2018 IBC/IRC
BY	LFS
REVISIONS	
DATE:	5/10/12
SCALE:	N.T.S.
DWG. BY:	JK
CHK. BY:	LFS
DRAWING NO.:	TX-4154
SHEET	3 OF 8



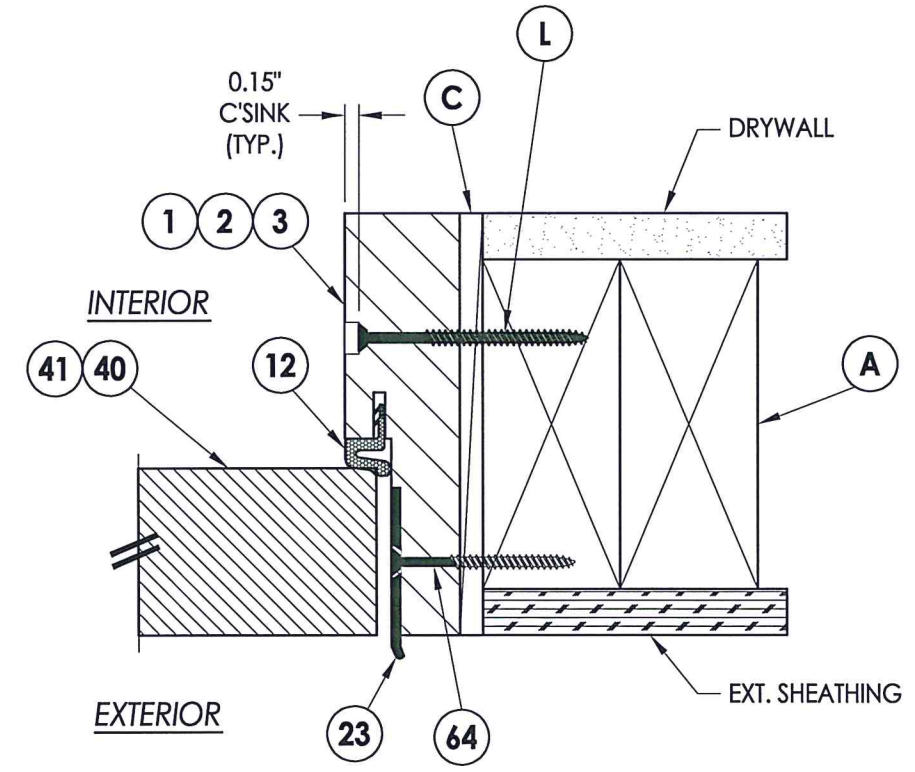
Documents Prepared By: Lyndon F. Schmidt, P.E.
 TEXAS P.E. #104123

RW BUILDING CONSULTANTS, INC.
 P.O. Box 230 Valrico FL 33595
 Phone No.: 813.659.9197

TEXAS BOARD OF PROFESSIONAL ENGINEERS
 CERTIFICATE OF REGISTRATION # F-11852

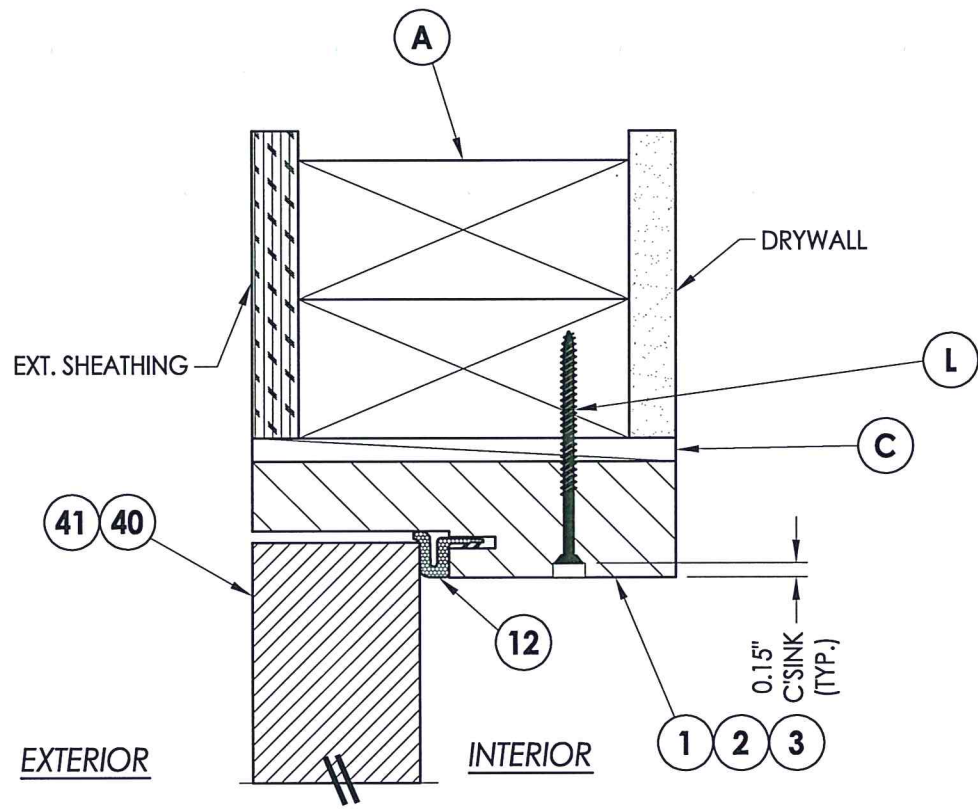


1
4 HORIZONTAL CROSS SECTION

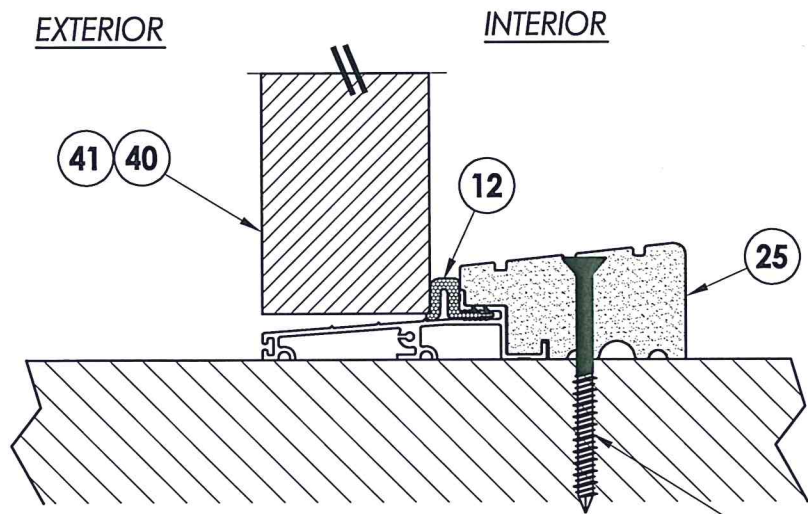


2
4 HORIZONTAL CROSS SECTION

PRODUCT:	TRINITY GLASS INT'L	
PART OR ASSEMBLY:	HORIZONTAL CROSS SECTIONS	
NO.	DATE	BY
1	8/10/21	LFS
UPDATE TO 2018 IBC/IRC		
REVISIONS		
DATE:	5/10/12	
SCALE:	N.T.S.	
DWG. BY:	JK	
CHK. BY:	LFS	
DRAWING NO.:	TX-4154	
SHEET	4	OF 8

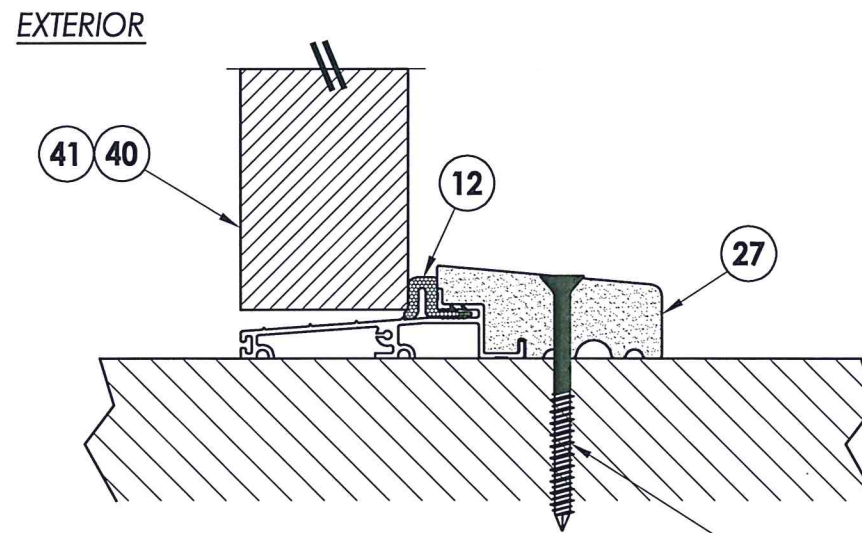


1
5 VERTICAL CROSS SECTION



2
5 VERTICAL CROSS SECTION
Outswing sill - high dam

P WOOD
D CONCRETE



3
5 VERTICAL CROSS SECTION
Outswing sill

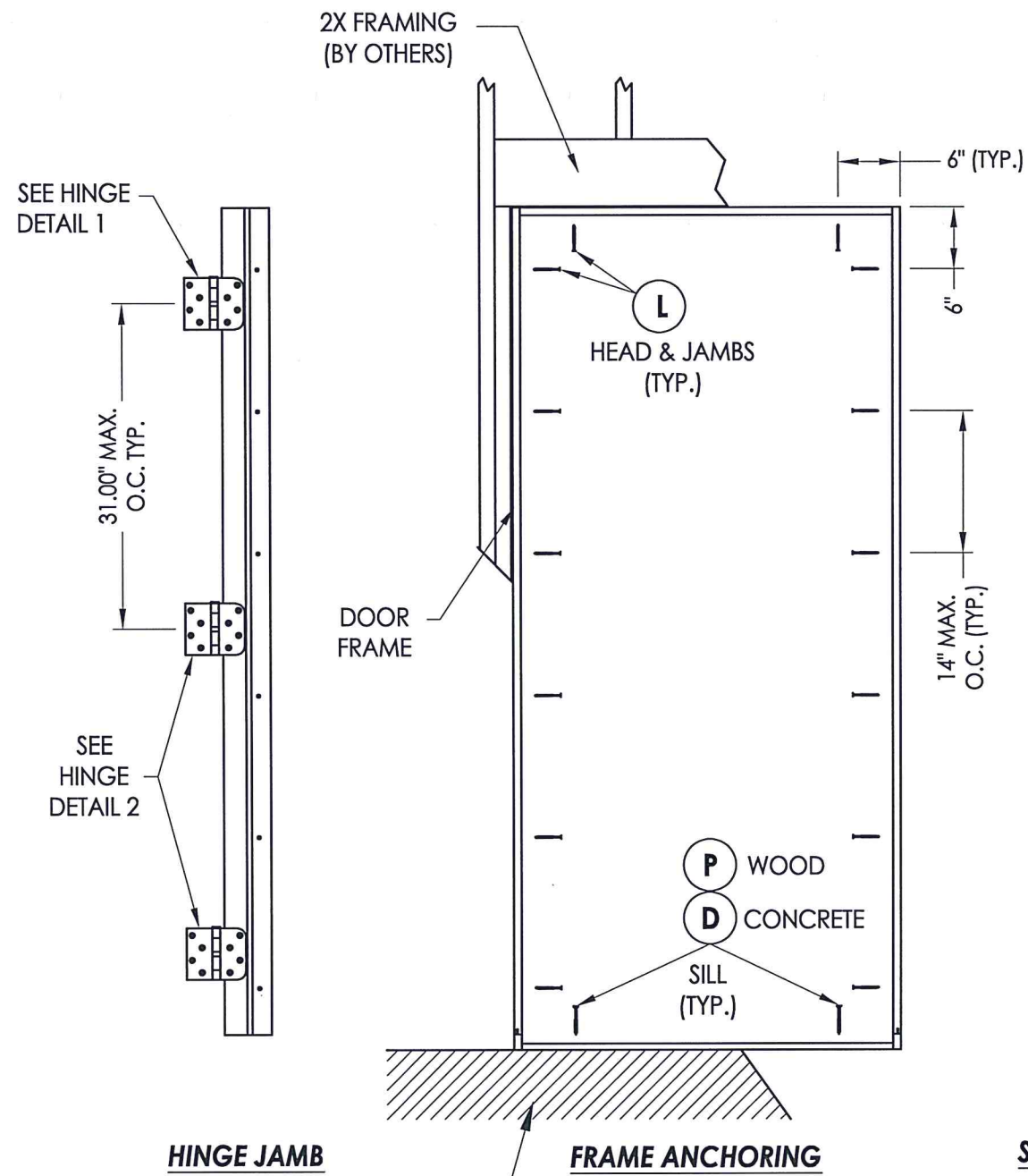
P WOOD
D CONCRETE



Documents Prepared By: Lyndon F. Schmidt, P.E.
TEXAS P.E. #104123

RW BUILDING CONSULTANTS, INC.
P.O. Box 230 Valrico FL 33595
Phone No.: 813.659.9197
TEXAS BOARD OF PROFESSIONAL ENGINEERS
CERTIFICATE OF REGISTRATION # F-11852

PRODUCT:	TRINITY GLASS INT'L	
PART OR ASSEMBLY:	VERTICAL CROSS SECTIONS	
NO.	DATE	BY
1	8/10/21	LFS
REVISIONS		
DATE:	5/10/12	
SCALE:	N.T.S.	
DWG. BY:	JK	
CHK. BY:	LFS	
DRAWING NO.:	TX-4154	
SHEET	5	OF 8



SEE HINGE
DETAIL 1

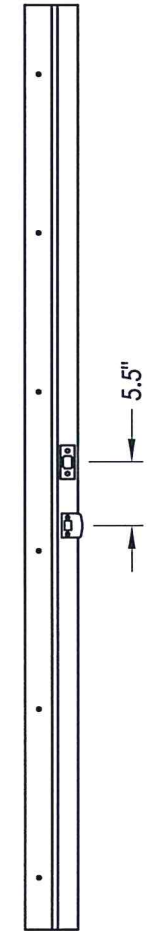
31.00" MAX.
O.C. TYP.

SEE HINGE
DETAIL 2

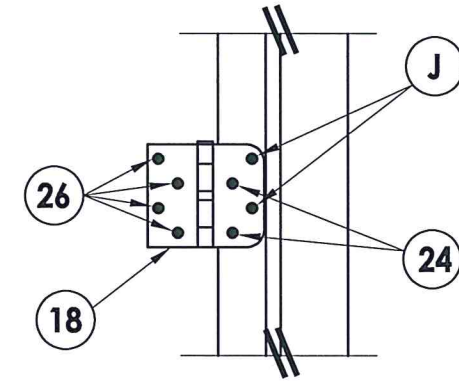
HINGE JAMB

FLOOR SUBSTRATE MATERIAL (TYP.)
CONCRETE (MIN. 3000 PSI)
WOOD (G >= 0.42)

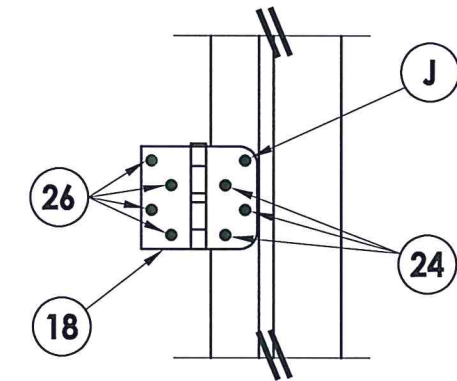
FRAME ANCHORING



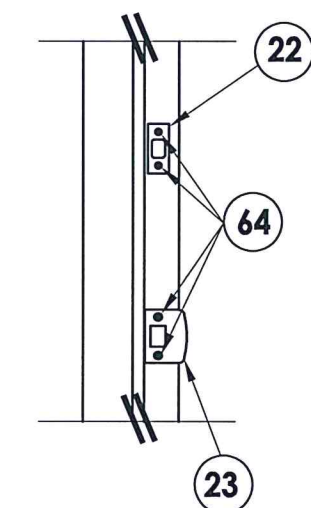
STRIKE JAMB



HINGE DETAIL 1



HINGE DETAIL 2



STRIKE PLATE DETAIL

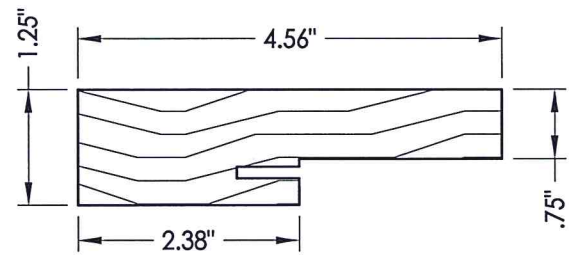


Documents Prepared By: Lyndon F. Schmidt, P.E.
TEXAS P.E. #104123

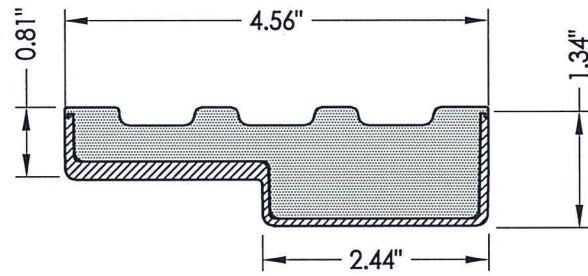
RW BUILDING CONSULTANTS, INC.
P.O. Box 230 Vairico FL, 33595
Phone No.: 813.659.9197

TEXAS BOARD OF PROFESSIONAL ENGINEERS
CERTIFICATE OF REGISTRATION # F-11852

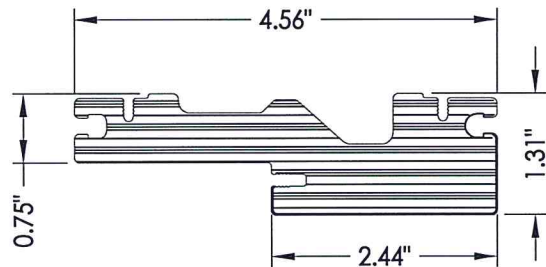
PRODUCT:	TRINITY GLASS INT'L	
PART OR ASSEMBLY:	FRAME ANCHORING (X)	
NO.	DATE	BY
1	8/10/21	LFS
UPDATE TO 2018 IBC/IRC		
REVISIONS		
DATE:	5/10/12	
SCALE:	N.T.S.	
DWG. BY:	JK	
CHK. BY:	LFS	
DRAWING NO.:	TX-4154	
SHEET	6	OF 8



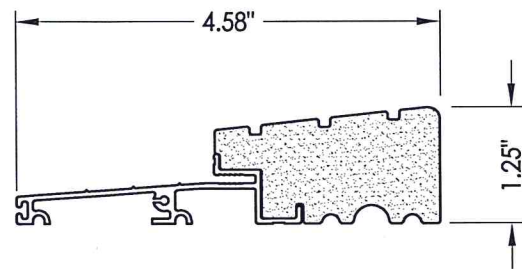
1 HEAD & JAMBS
Wood



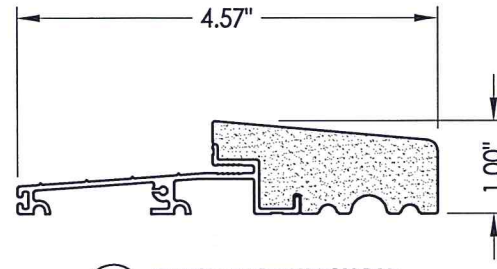
2 HEAD & JAMBS
Composite PVC Base
w/ Fiberglass Wrap



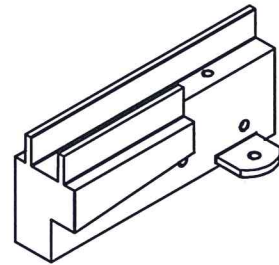
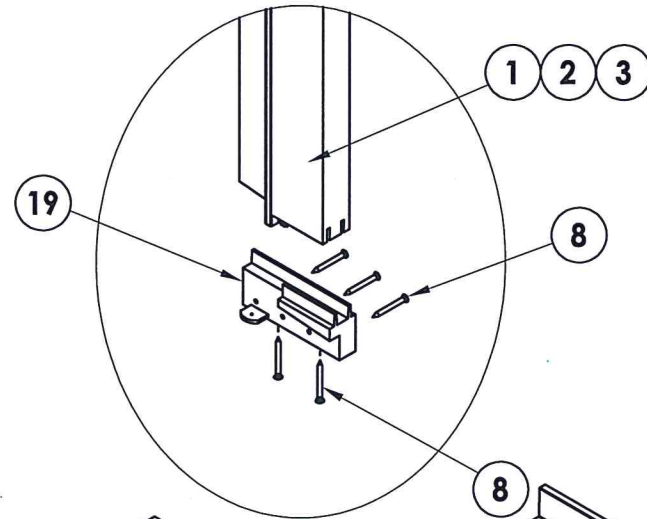
3 HEAD & JAMBS
PVC



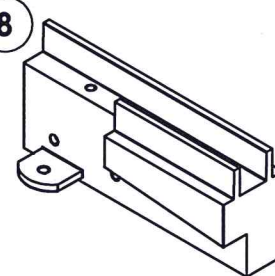
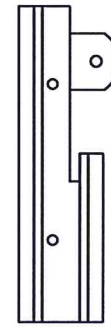
25 OUTSWING THRESHOLD
High-dam



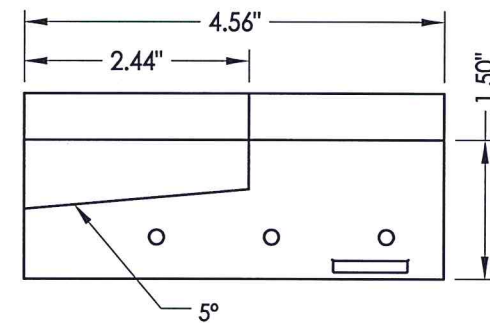
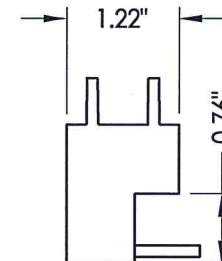
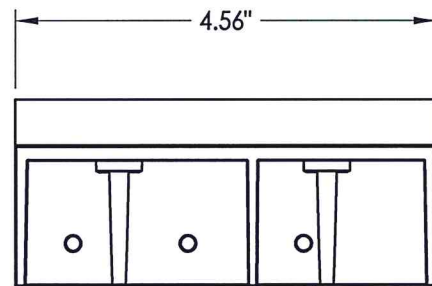
27 OUTSWING THRESHOLD



SILLKEY, LEFT
SCALE: NONE



SILLKEY, RIGHT
SCALE: NONE



19 SILLKEY DETAILS
Optional



Documents Prepared By: Lyndon F. Schmidt, P.E.
TEXAS P.E. #104123

RW BUILDING CONSULTANTS, INC.
P.O. Box 230 Vairico FL 33595
Phone No.: 813.659.9197
TEXAS BOARD OF PROFESSIONAL ENGINEERS
CERTIFICATE OF REGISTRATION # F-11852

PRODUCT:		TRINITY GLASS INT'L	
PART OR ASSEMBLY:		COMPONENTS	
NO.	DATE	BY	REVISIONS
1	8/10/21	LFS	UPDATE TO 2018 IBC/IRC

DATE: 5/10/12
SCALE: N.T.S.
DWG. BY: JK
CHK. BY: LFS
DRAWING NO.: TX-4154
SHEET 7 OF 8

