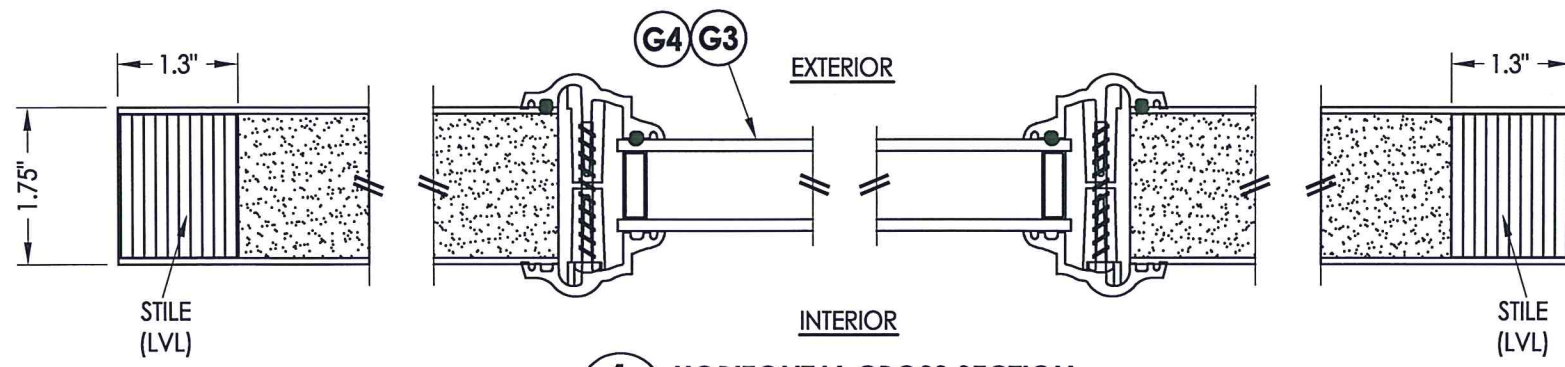
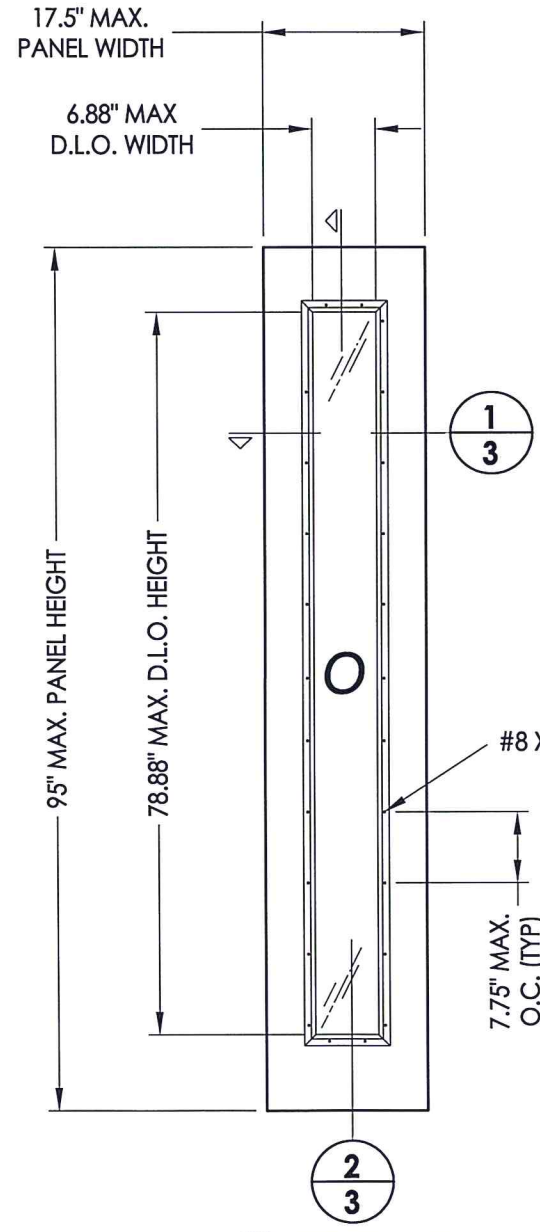


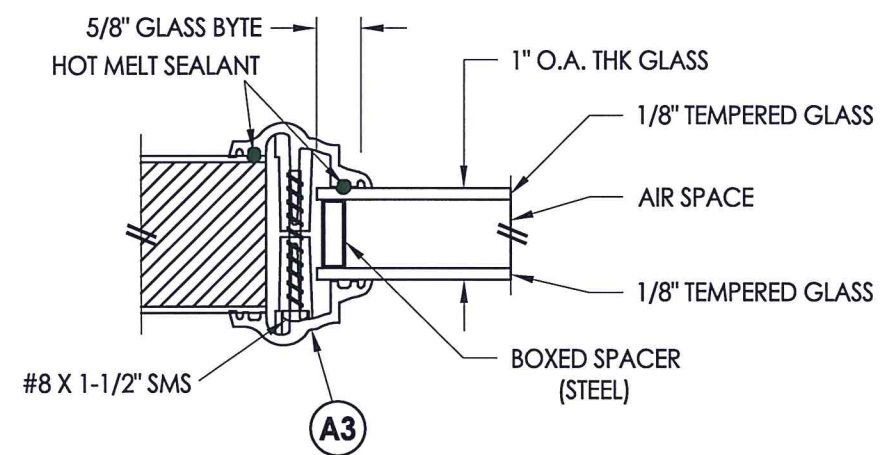
Z:\Clients\Trinity Glass PERMANENT\B - Texas Dept of Ins\DR-XXXX 8-0 GLZ FG - NI - LT HOUSE\C - Drawings\TX-5274-76.dwg



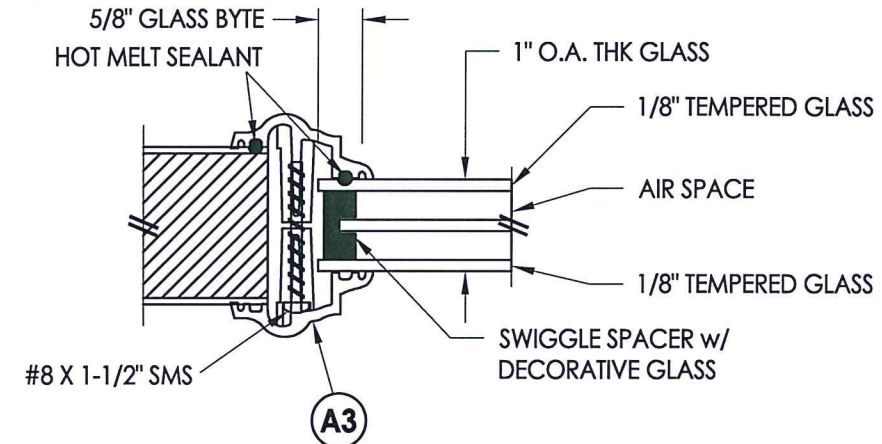
1
3 HORIZONTAL CROSS SECTION



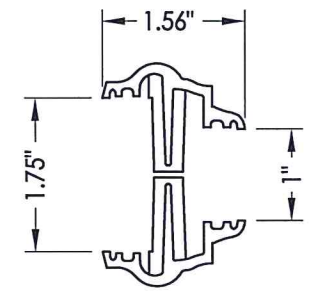
50 SIDELITE PANEL LIGHTHOUSE



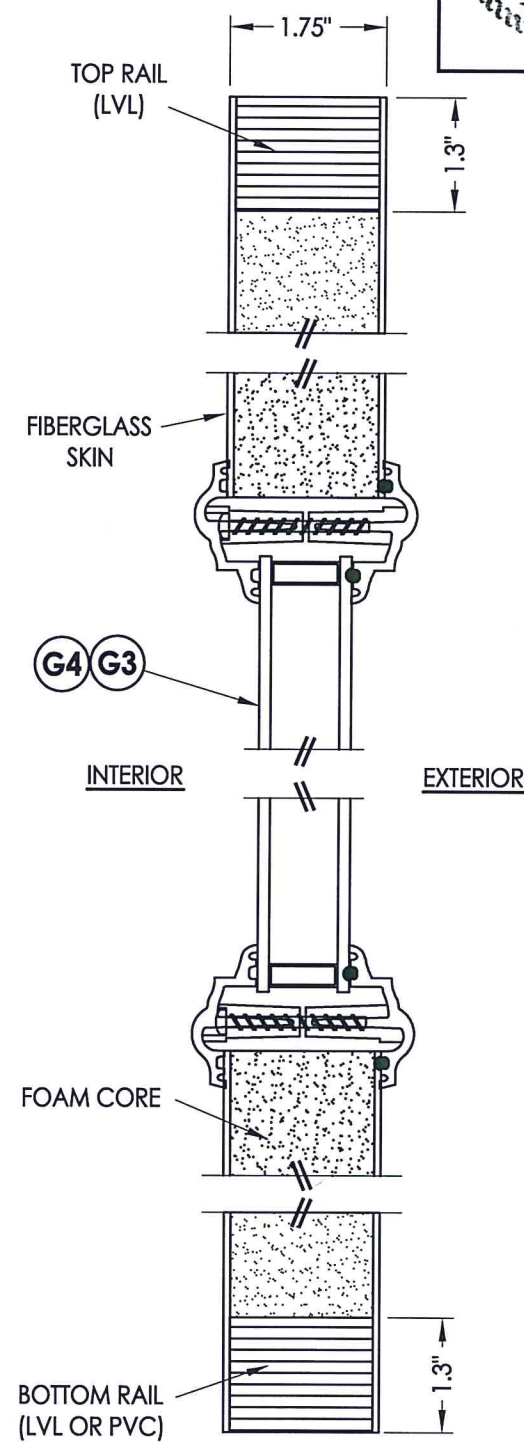
G3 GLAZING DETAIL



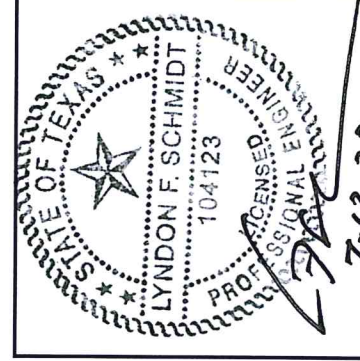
G4 GLAZING DETAIL DECORATIVE GLASS



A3 LIP LITE FRAME HP POLYPROPYLENE



2
3 VERTICAL CROSS SECTION

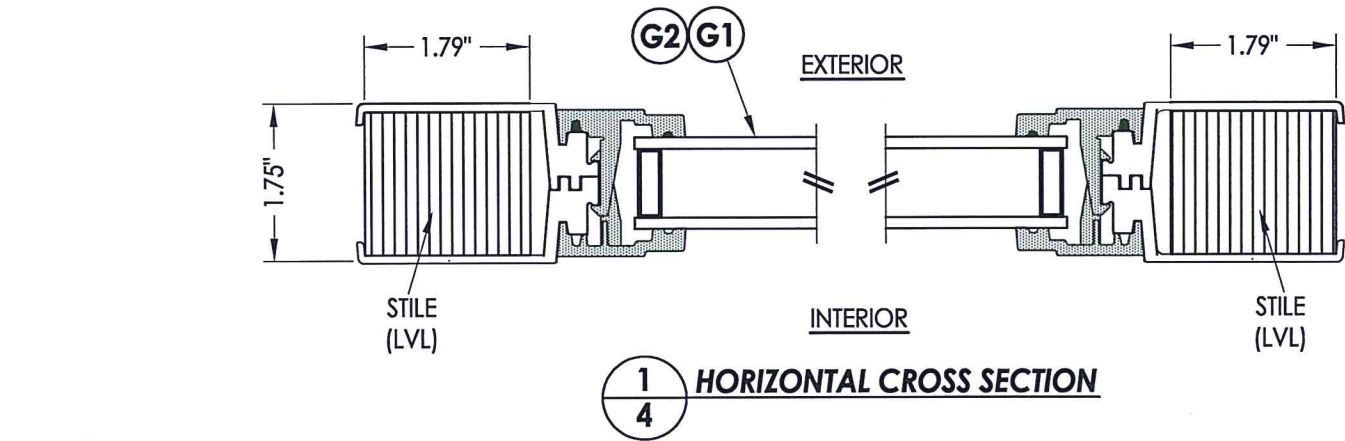


Documents Prepared By: Lyndon F. Schmidt, P.E.
TEXAS P.E. #104123
RW BUILDING CONSULTANTS, INC.
P.O. Box 230 Valrico FL 33595
Phone No.: 813.659.9197

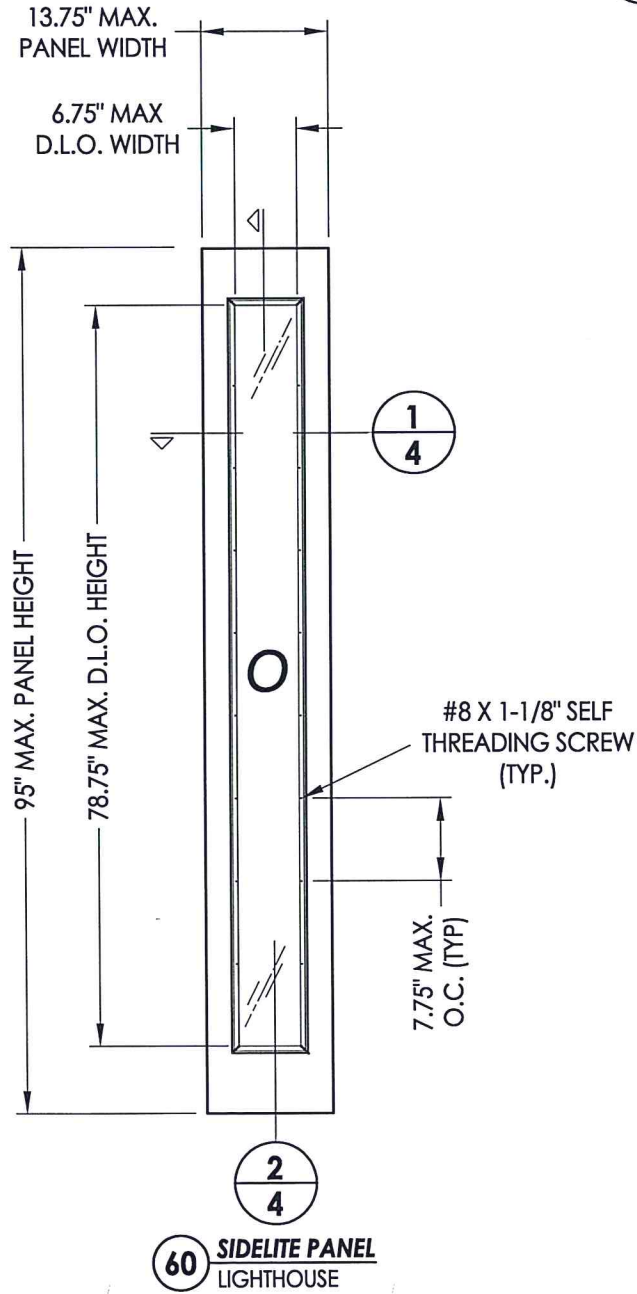
PRODUCT:	TRINITY GLASS INT'L
PART OR ASSEMBLY:	DOOR PANEL DETAILS

NO.	DATE	BY	REVISIONS

DATE: 7/11/22
SCALE: N.T.S.
DWG. BY: RW
CHK. BY: LFS
DRAWING NO.: TX-5276
SHEET 3 OF 11

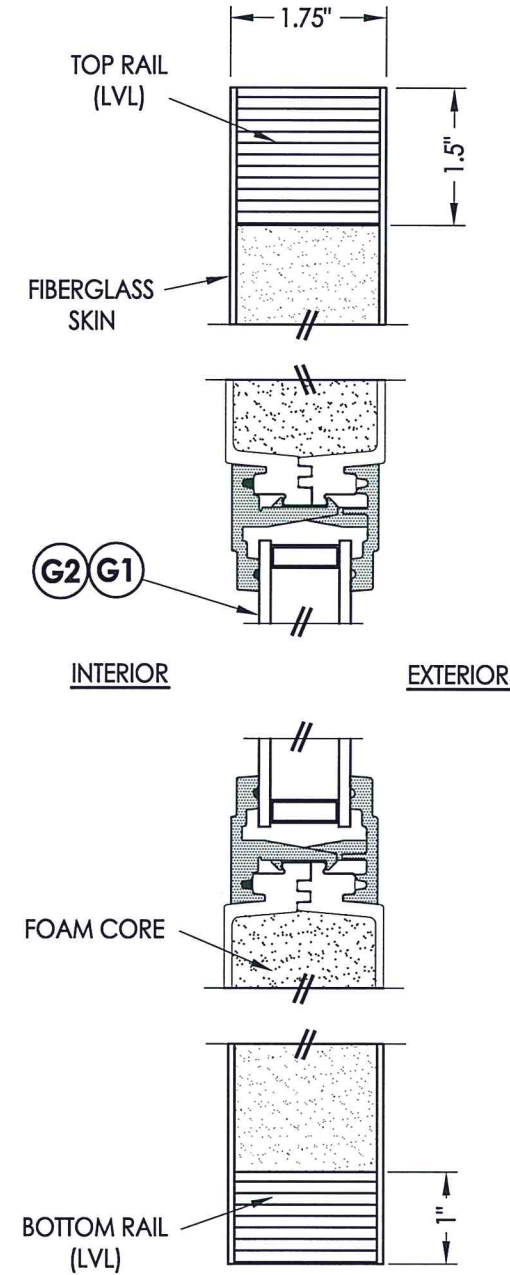


1
4 HORIZONTAL CROSS SECTION

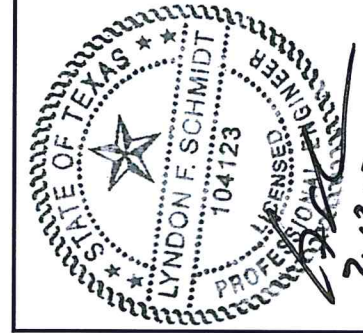


60 SIDELITE PANEL
LIGHTHOUSE

DOOR SKIN: 0.079" MIN. THK. FIBERGLASS
CORE MATERIAL: POLYURETHANE FOAM



2
4 VERTICAL CROSS SECTION



Documents Prepared By: Lyndon F. Schmidt, P.E.
TEXAS P.E. #104123

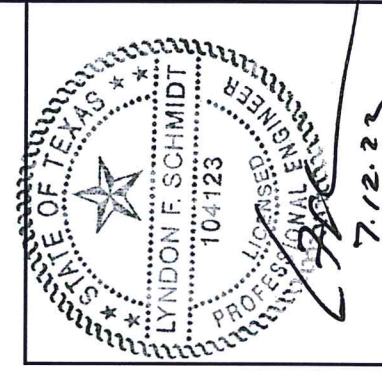
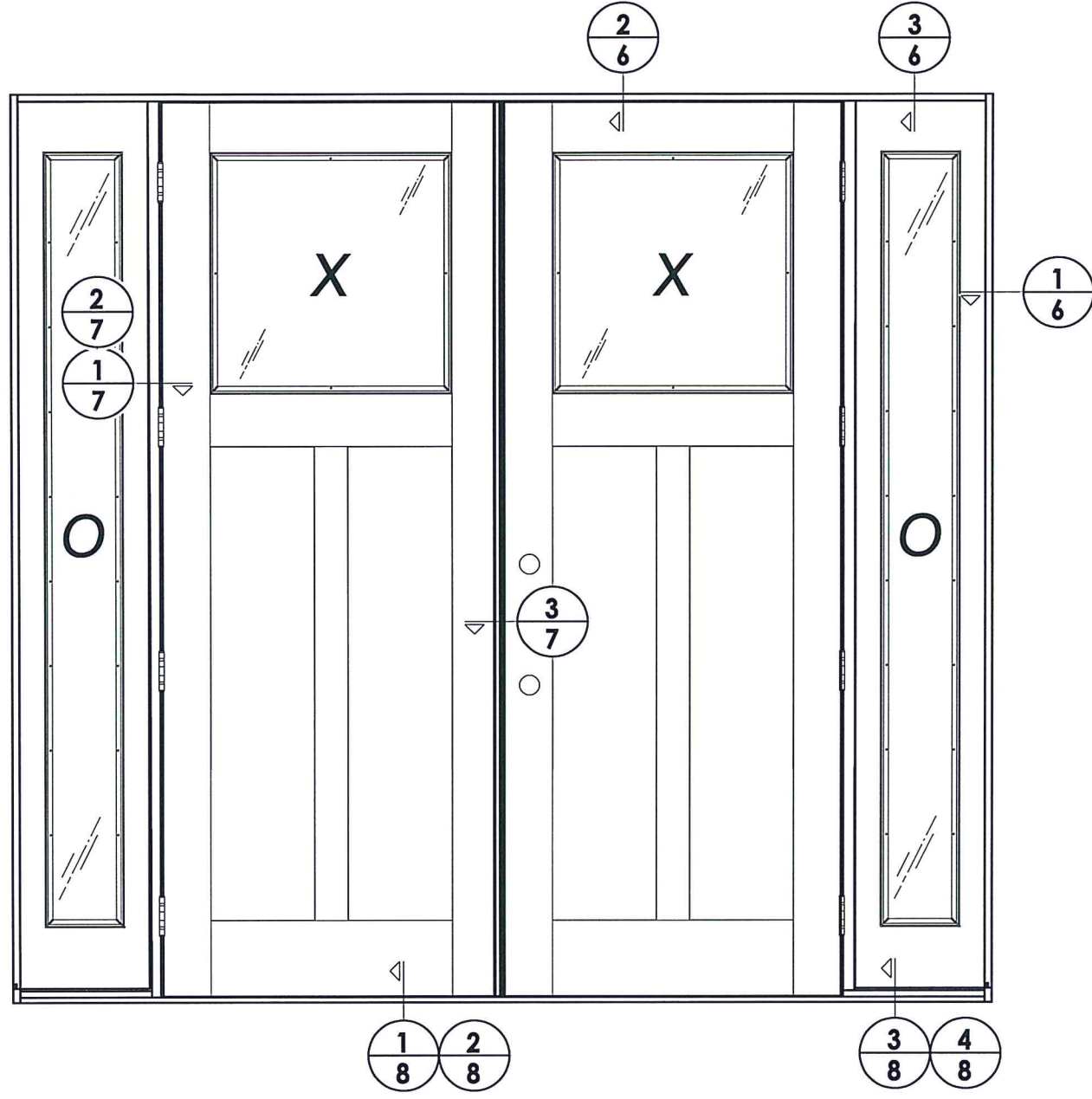
RW BUILDING CONSULTANTS, INC.
P.O. Box 230 Valrico FL 33595
Phone No.: 813.659.9197

CERTIFICATE OF REGISTRATION # F-11852

PRODUCT: TRINITY GLASS INT'L
PART OR ASSEMBLY: SIDELITE PANEL DETAILS (FLUSH GLAZING FRAME)

NO.	DATE	BY	REVISIONS

DATE: 7/11/22
SCALE: N.T.S.
DWG. BY: RW
CHK. BY: LFS
DRAWING NO.: TX-5276
SHEET 4 OF 11



Documents Prepared By: Lyndon F. Schmidt, P.E.
TEXAS P.E. #104123

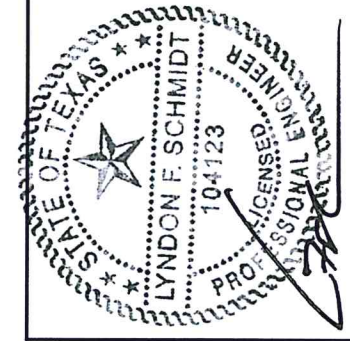
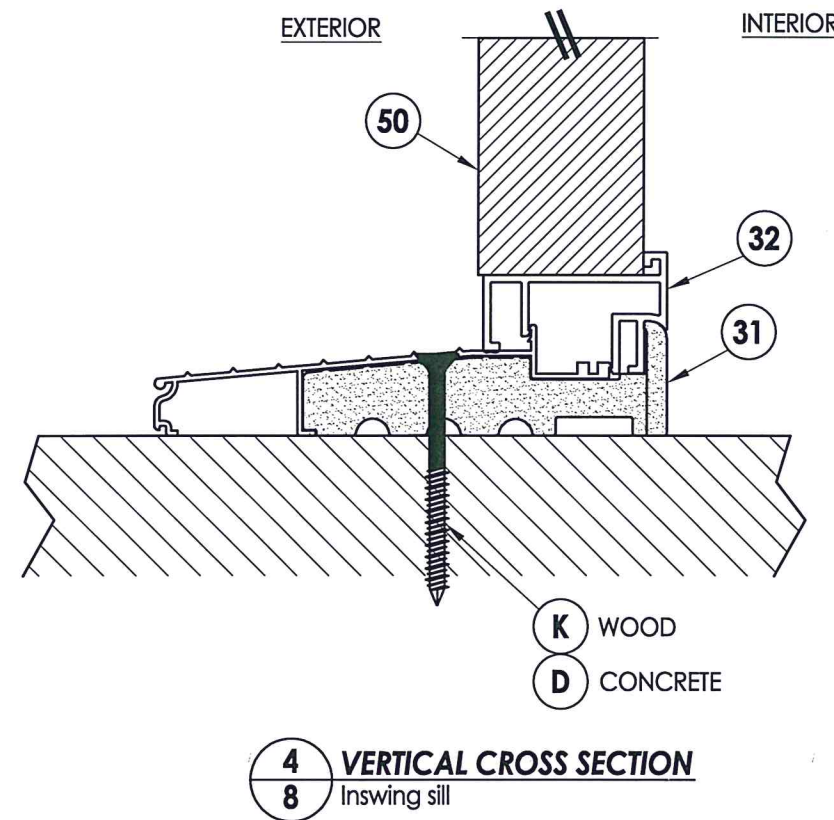
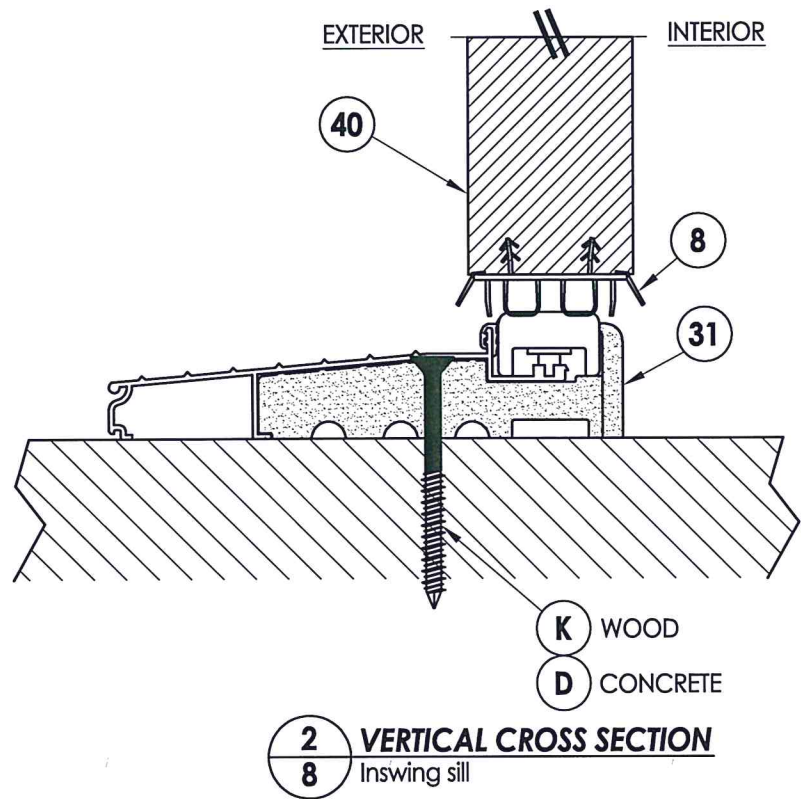
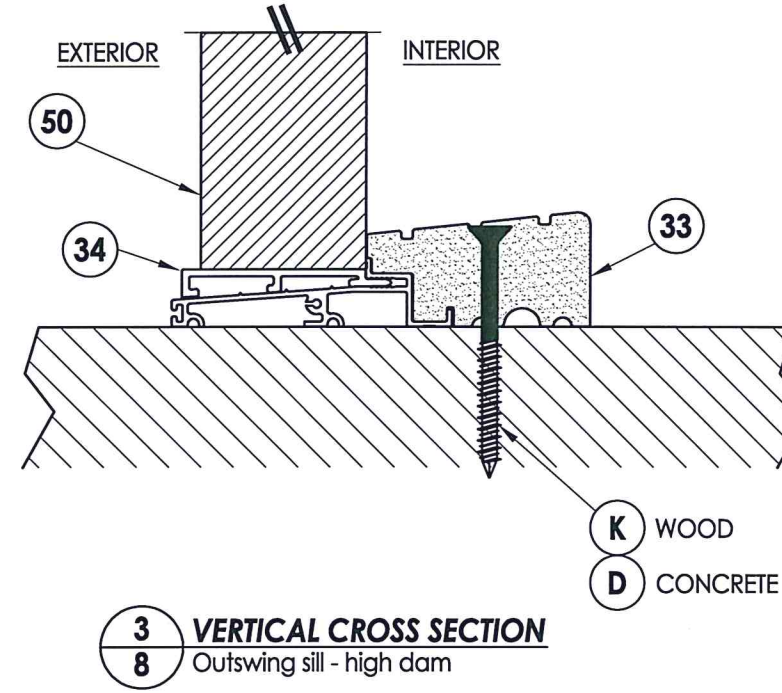
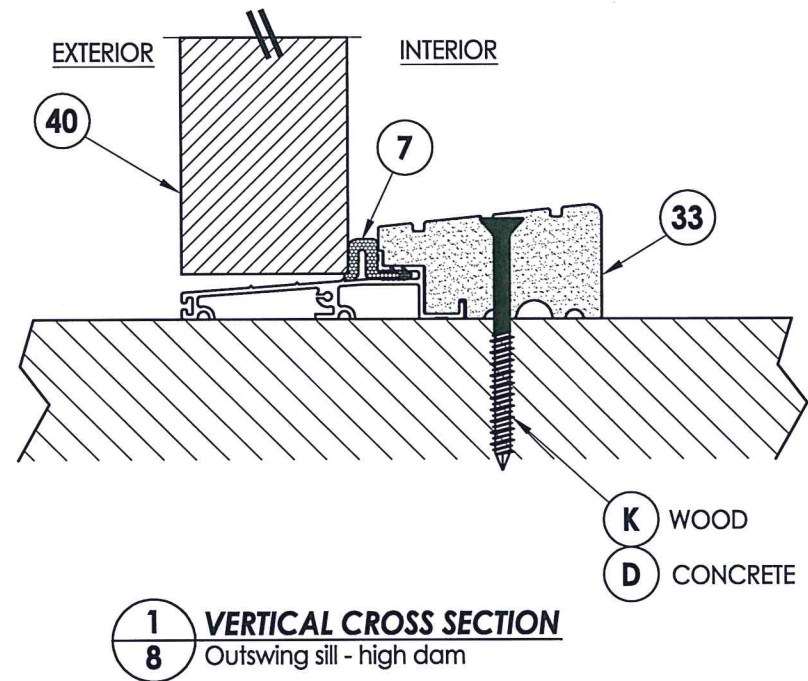
RW
BUILDING CONSULTANTS, INC.
P.O. Box 230 Valrico FL, 33595
Phone No.: 813.659.9197

CERTIFICATE OF REGISTRATION # F-11852

PRODUCT: TRINITY GLASS INT'L
PART OR ASSEMBLY: ELEVATIONS

NO.	DATE	REVISIONS	BY

DATE: 7/11/22
SCALE: N.T.S.
DWG. BY: RW
CHK. BY: LFS
DRAWING NO.: TX-5276
SHEET 5 OF 11



Documents Prepared By: Lyndon F. Schmidt, P.E.
TEXAS P.E. #104123

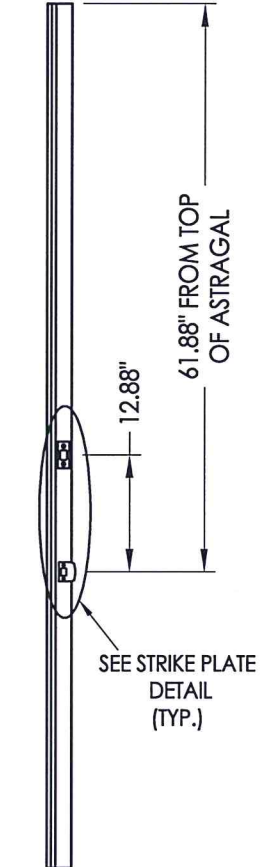
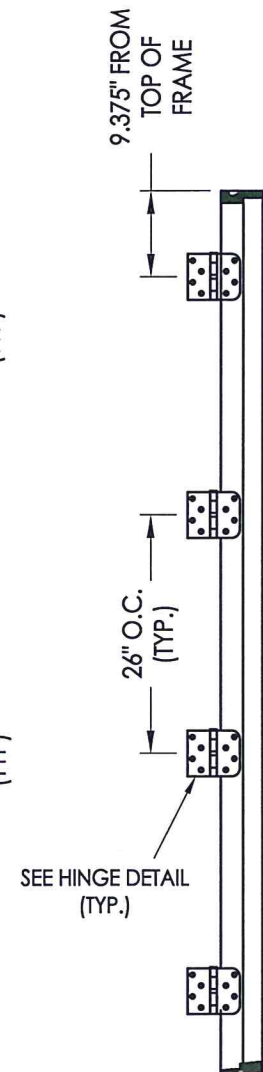
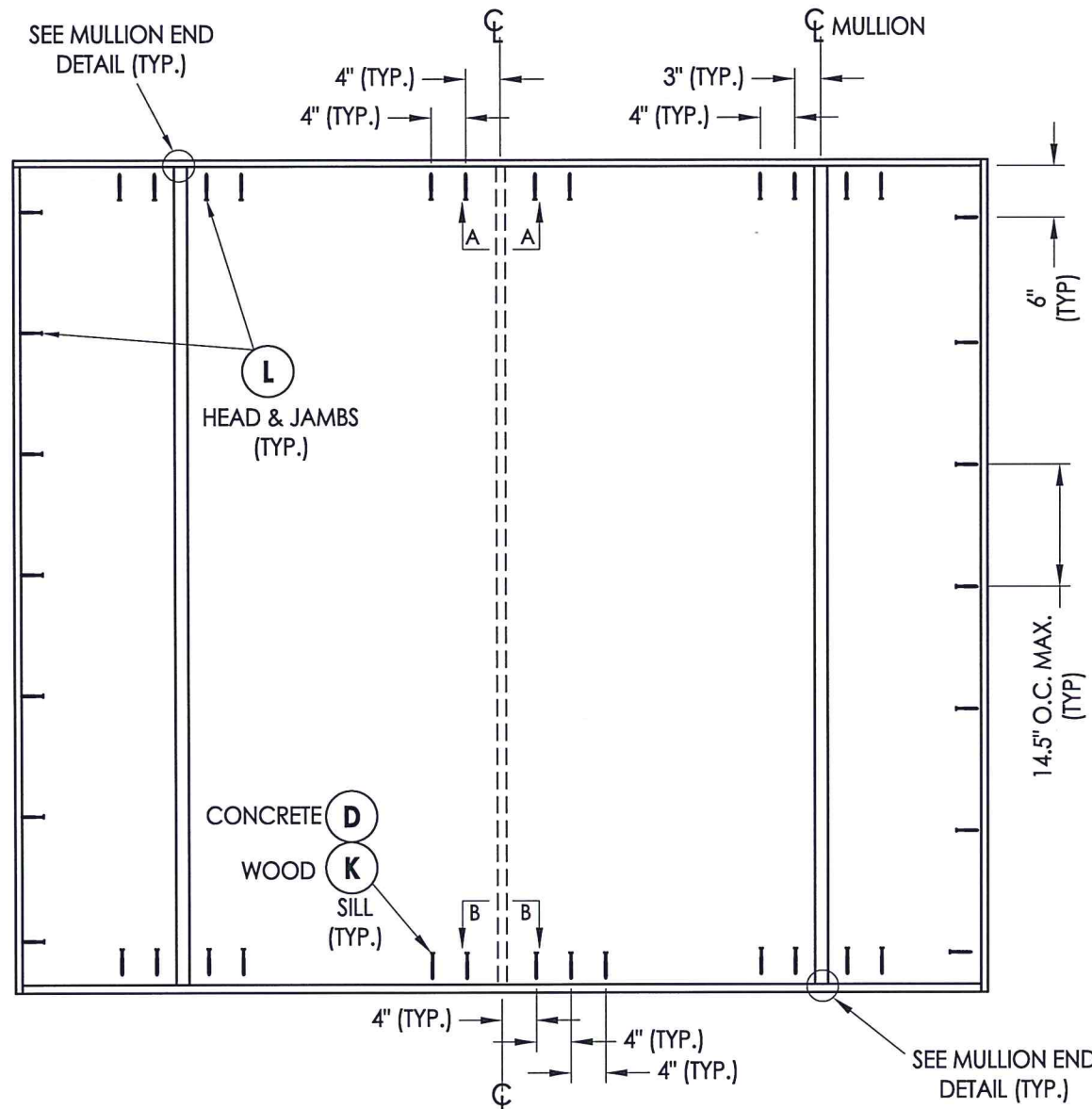
RW
BUILDING CONSULTANTS, INC.
P.O. Box 230 Valrico FL 33595
Phone No.: 813.659.9197

CERTIFICATE OF REGISTRATION # F-11852

PRODUCT: TRINITY GLASS INT'L
PART OR ASSEMBLY: VERTICAL CROSS SECTIONS

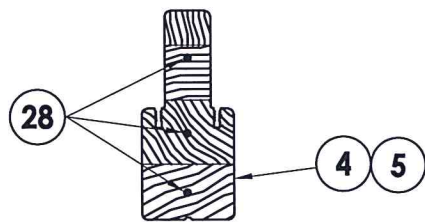
NO.	DATE	BY	REVISIONS

DATE: 7/11/22
SCALE: N.T.S.
DWG. BY: RW
CHK. BY: LFS
DRAWING NO.: TX-5276
SHEET 8 of 11



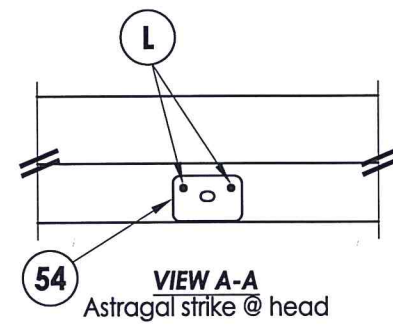
HINGE JAMB

ASTRAGAL

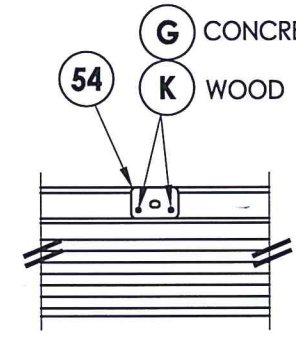


MULLION END DETAIL
(TYP. @ HEAD & SILL)

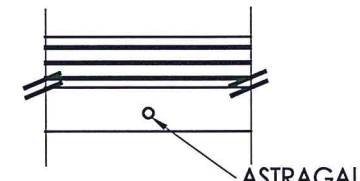
**OXO
FRAME ANCHORING**



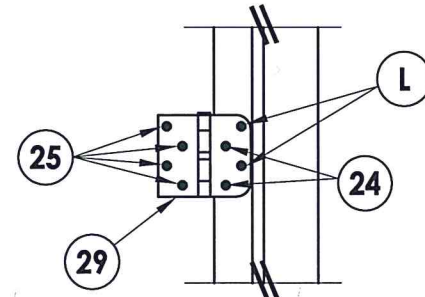
VIEW A-A
Astragal strike @ head



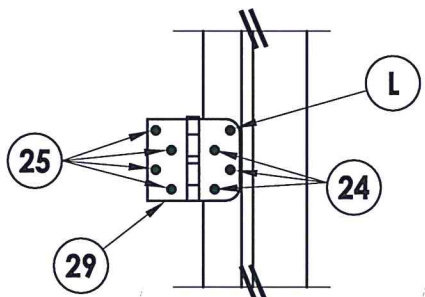
VIEW B-B
Astragal strike @ sill
Inswing



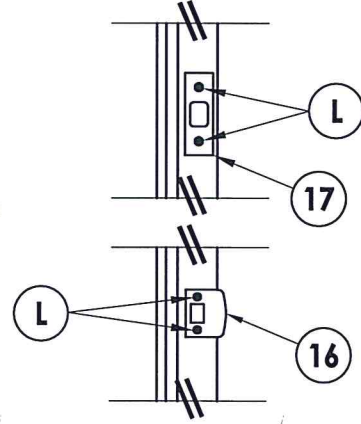
VIEW B-B
Astragal strike @ sill
Outswing



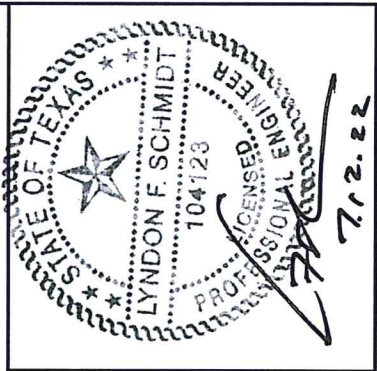
HINGE DETAIL
INSWING



HINGE DETAIL
OUTSWING



STRIKE PLATE DETAIL



Documents Prepared By: Lyndon F. Schmidt, P.E.
TEXAS P.E. #104123

RW BUILDING CONSULTANTS, INC.
P.O. Box 230 Valrico FL 33595
Phone No.: 813.659.9197

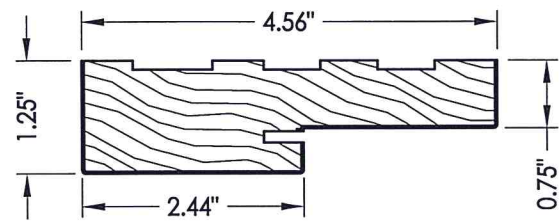
CERTIFICATE OF REGISTRATION # F-11852

PRODUCT: TRINITY GLASS INT'L

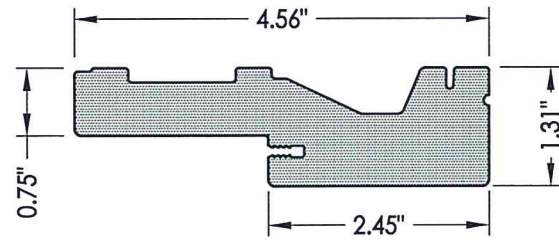
PART OR ASSEMBLY: FRAME ANCHORING

NO.	DATE	BY	REVISIONS

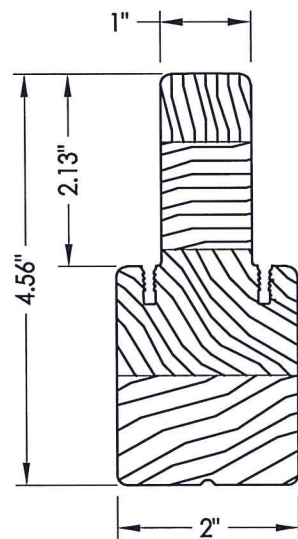
DATE: 7/11/22
SCALE: N.T.S.
DWG. BY: RW
CHK. BY: LFS
DRAWING NO.: TX-5276
SHEET 9 of 11



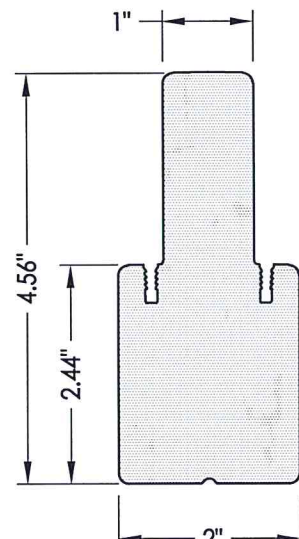
1 HEAD & JAMBS
FINGER JOINT PINE



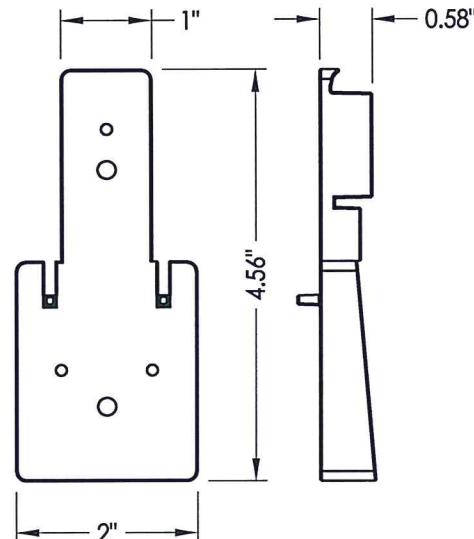
2 HEAD & JAMBS
PVC



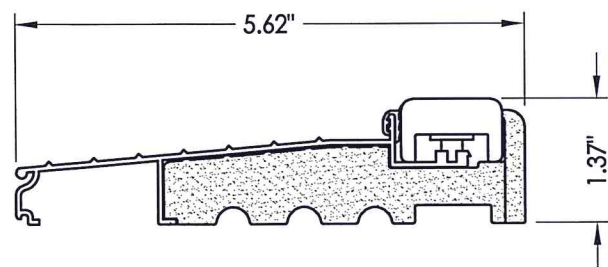
4 INTEGRAL MULLION
PINE



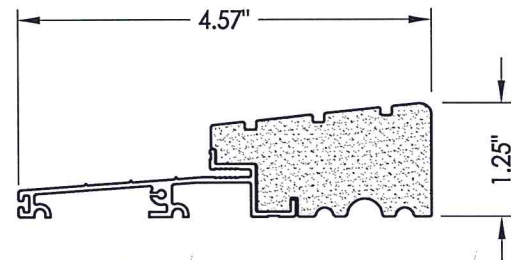
5 INTEGRAL MULLION
PVC



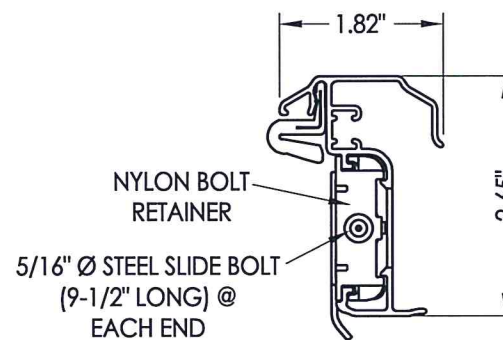
6 INTEGRAL MULLION BASE KIT
Optional



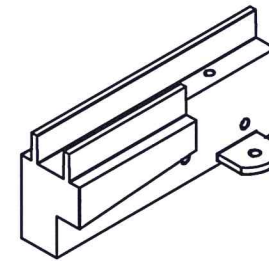
31 INSWING THRESHOLD



33 OUTSWING THRESHOLD
High-dam



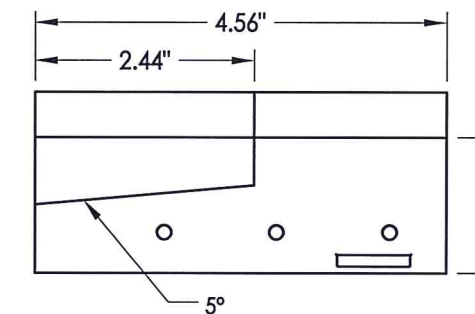
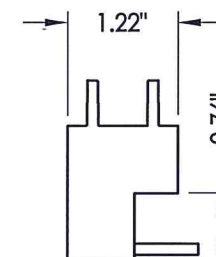
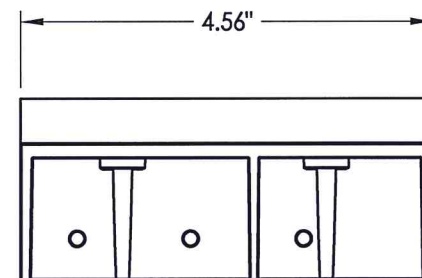
53 ULTIMATE HURRICANE ASTRAGAL
Endura Products



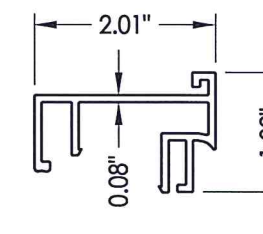
SILLKEY (LEFT)



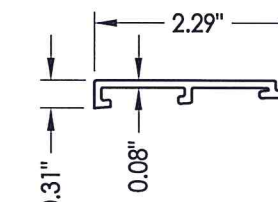
SILLKEY (RIGHT)



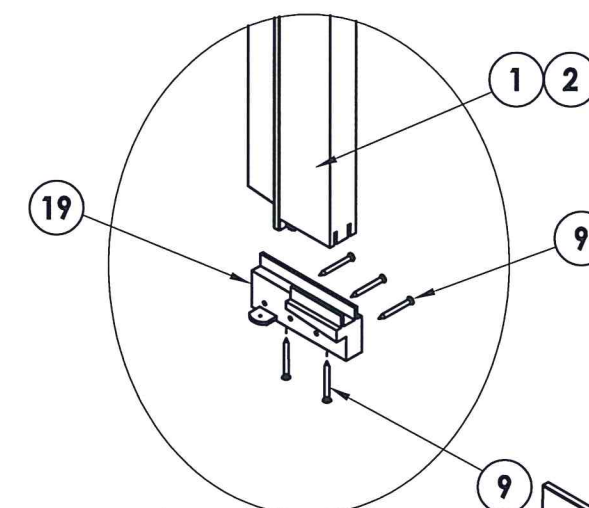
19 SILLKEY DETAILS
Optional



32 SIDELITE SPACER
Inswing



34 SIDELITE SPACER
Outswing



Documents Prepared By: Lyndon F. Schmidt, P.E.
TEXAS P.E. #104123

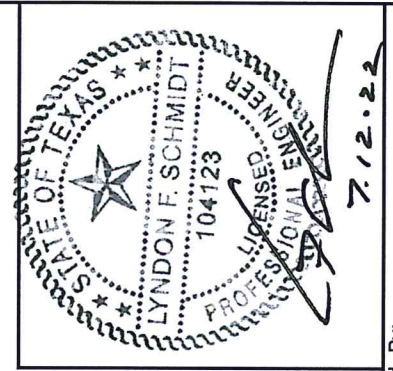
RW BUILDING CONSULTANTS, INC.
P.O. Box 230 Valrico FL 33595
Phone No.: 813.659.9197

CERTIFICATE OF REGISTRATION # F-11852

PRODUCT: TRINITY GLASS INT'L	
PART OR ASSEMBLY: COMPONENTS	
NO.	DATE
BY	
REVISIONS	
DATE: 7/11/22	
SCALE: N.T.S.	
DWG. BY: RW	
CHK. BY: LFS	
DRAWING NO.: TX-5276	
SHEET 10 OF 11	

BILL OF MATERIALS

ITEM #	DESCRIPTION	MATERIAL
A	2X FRAMING (SG >= 0.42)	WOOD
C	1/4" MAX. SHIM SPACE	-
D	1/4" FH DeWALT OR ITW CONCRETE SCREW (1-3/4" MIN. EMBEDMENT)	STEEL
K	#10 FH WOOD SCREW (1-3/4" MIN. EMBEDMENT)	STEEL
L	#10 X 2-1/2" PFH WS (1.15" MIN. EMBEDMENT)	STEEL
1	HEAD & JAMB (FINGER JOINT PINE: SG >= 0.42)	WOOD
2	HEAD & JAMB	PVC
4	INTEGRAL MULLION (PINE: SG >= 0.42)	WOOD
5	INTEGRAL MULLION (PVC)	PVC
6	INTEGRAL MULLION BASE KIT	ABS
7	WEATHERSTRIP	FOAM
8	DOOR BOTTOM SWEEP	PVC
9	#6 X 1-1/4 PFH DRYWALL SCREW	STEEL
11	#9 X 2-1/4" PFH WOOD SCREW	STEEL
16	LATCH STRIKE PLATE	STEEL
17	DEADBOLT STRIKE PLATE	STEEL
18	DEADBOLT SUB-STRIKE PLATE	STEEL
19	SILLKEY	ABS
24	#9 X 3/4" PFH WS	STEEL
25	#9 X 1" PFH WS	STEEL
26	#10 X 2" PFH WS	STEEL
27	#8 X 2-1/2" PFH WOOD SCREW	STEEL
28	#10 X 3" PFH WOOD SCREW	STEEL
29	4" X 4" HINGE	STEEL
31	INSWING THRESHOLD ALUMINUM w/ COMPOSITE SUBSTRATE	ALUM/ COMP
32	SIDELITE SPACER - INSWING	PVC
33	OUTSWING HIGH - DAM THRESHOLD ALUMINUM w/ COMPOSITE SUBSTRATE	ALUM/ COMP
34	SIDELITE SPACER - OUTSWING	PVC
40	DOOR PANEL	-
50	SIDELITE PANEL	-
52	#8 X 1" FH WOOD SCREW	STEEL
53	ENDURA ULTIMATE HURRICANE ASTRAGAL	ALUM
54	ASTRAGAL STRIKE PLATE	STEEL



Documents Prepared By: Lyndon F. Schmidt, P.E.
TEXAS P.E. #104123

RW BUILDING CONSULTANTS, INC.
P.O. Box 230 Vairico FL 33595
Phone No.: 813.659.9197

CERTIFICATE OF REGISTRATION # F-11852

PRODUCT: TRINITY GLASS INT'L
PART OR ASSEMBLY: BILL OF MATERIALS

NO.	DATE	REVISIONS	BY

DATE: 7/11/22
SCALE: N.T.S.
DWG. BY: RW
CHK. BY: LFS
DRAWING NO.: TX-5276
SHEET 11 OF 11

CONCRETE ANCHOR NOTES:

- Concrete anchor locations at the corners may be adjusted to maintain the min. edge distance to mortar joints.
- Concrete anchor locations noted as "MAX. ON CENTER" must be adjusted to maintain the min. edge distance to mortar joints, additional concrete anchors may be required to ensure the "MAX. ON CENTER" dimension are not exceeded.
- Concrete anchor table:

ANCHOR TYPE	ANCHOR SIZE	MIN. EMBEDMENT	MIN. CLEARANCE TO MASONRY EDGE	MIN. CLEARANCE TO ADJACENT ANCHOR
ITW TAPCON®	1/4"	1-3/4"	2"	4"
DeWALT ULTRACON®	1/4"	1-3/4"	1"	4"

WOOD SCREW INSTALLATION NOTES:

- Maintain a minimum 5/8" edge distance, 1" end distance, & 1" o.c. spacing of wood screws to prevent the splitting of wood.