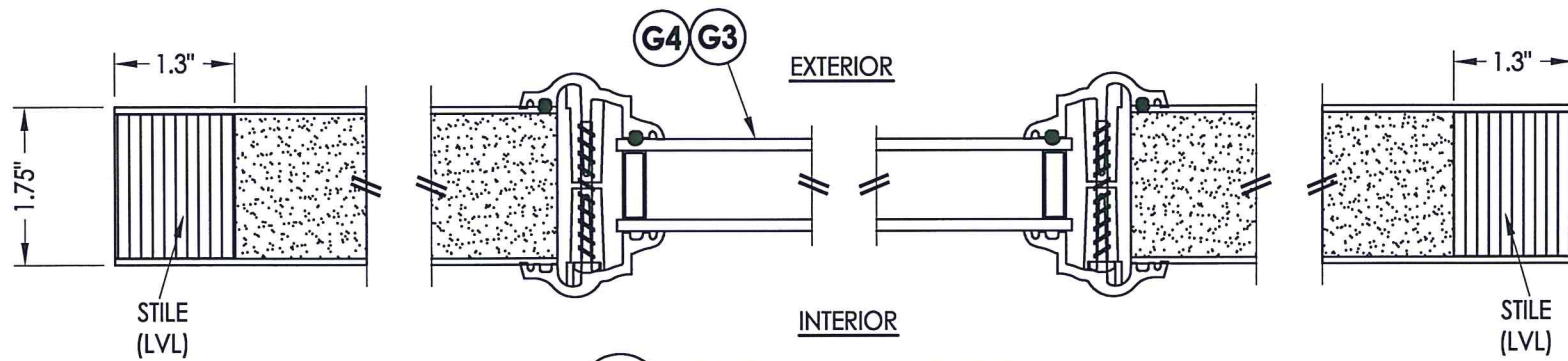
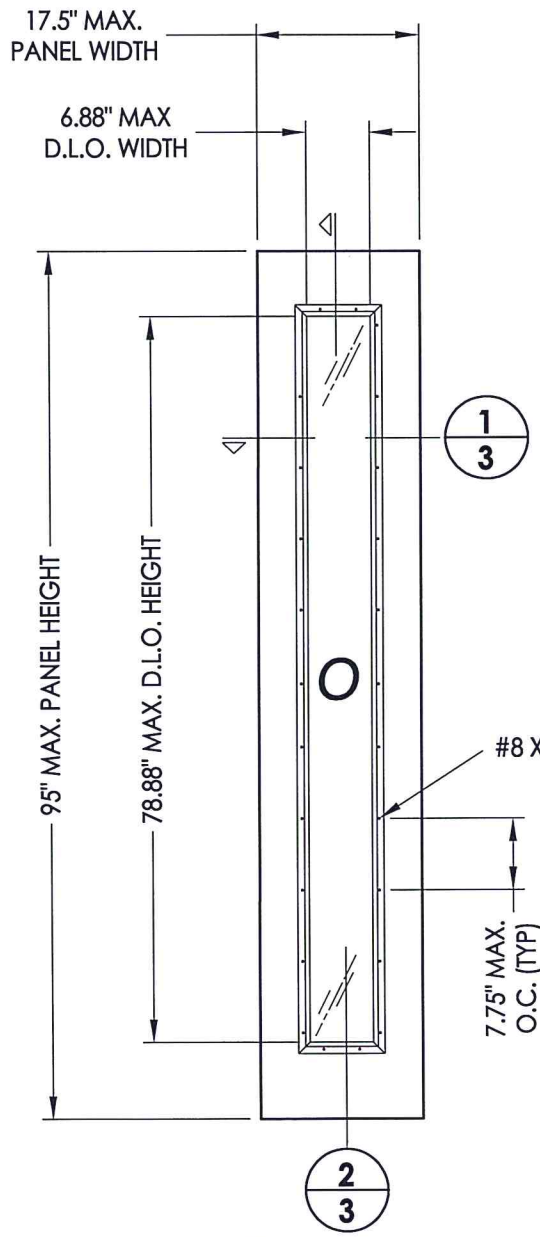


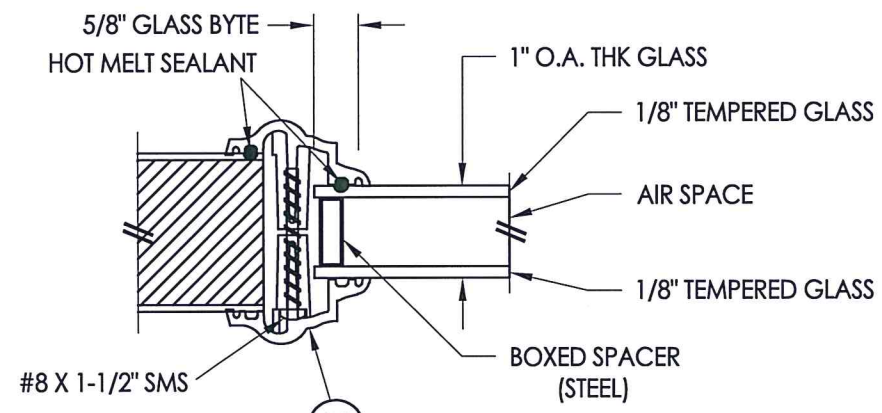
Z:\Clients\Trinity Glass Permanent\B - Texas Dept of Ins\DR-XXXX 8-0 GLZ FG - NI - LT HOUSE\C - Drawings\TX-5274-76.dwg



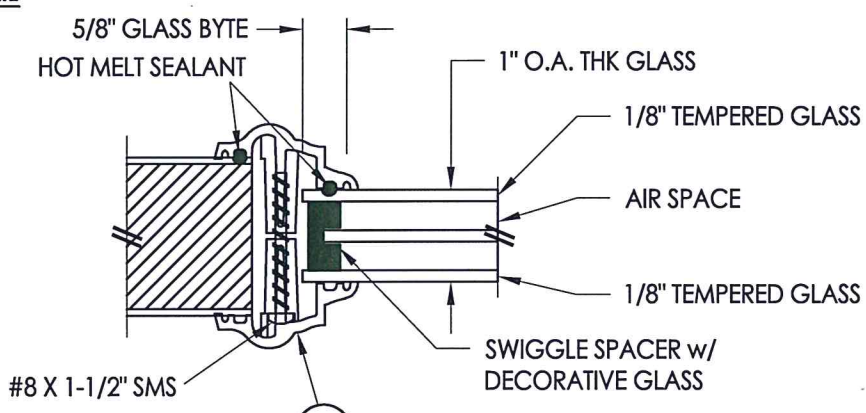
1
3 HORIZONTAL CROSS SECTION



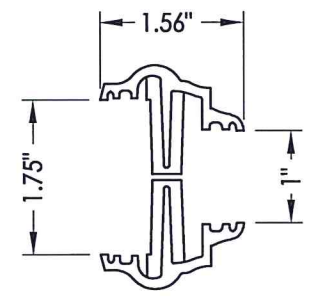
50 SIDELITE PANEL LIGHTHOUSE



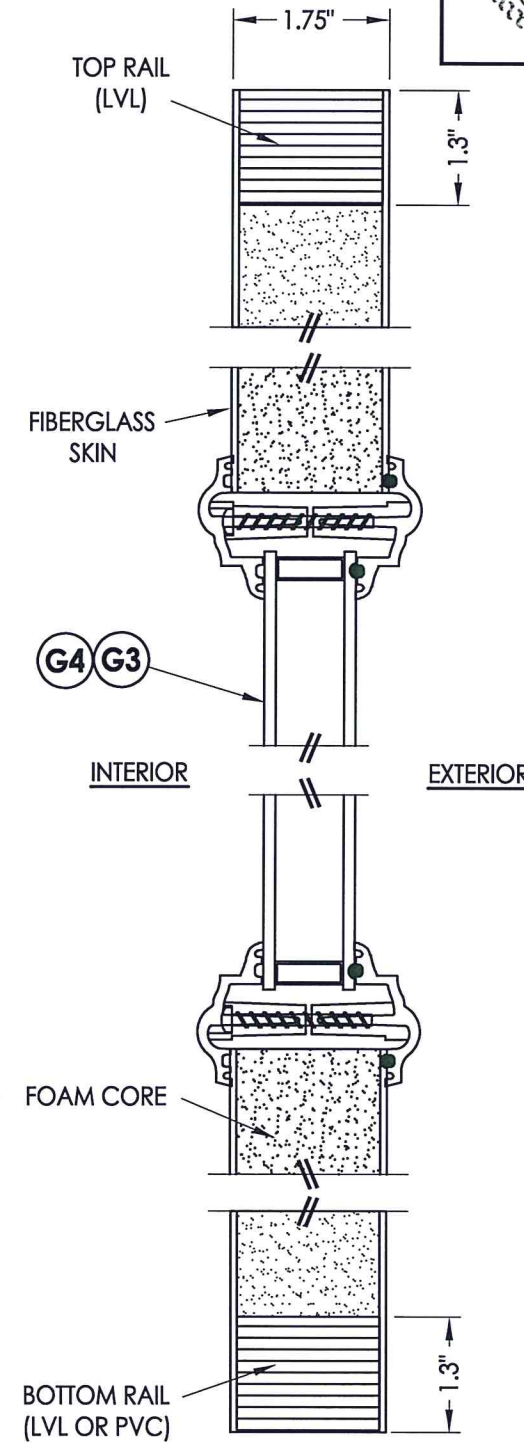
G3 GLAZING DETAIL



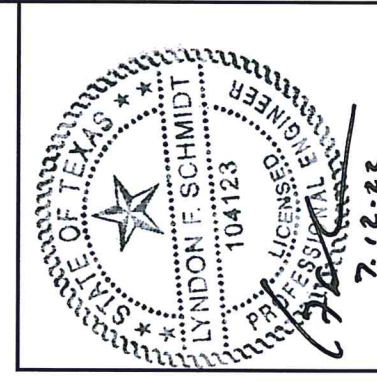
G4 GLAZING DETAIL DECORATIVE GLASS



A3 LIP LITE FRAME HP POLYPROPYLENE



2
3 VERTICAL CROSS SECTION



Documents Prepared By: Lyndon F. Schmidt, P.E.
TEXAS P.E. #104123

RW BUILDING CONSULTANTS, INC.
P.O. Box 230 Valrico FL 33595
Phone No.: 813.659.9197

CERTIFICATE OF REGISTRATION # F-11852

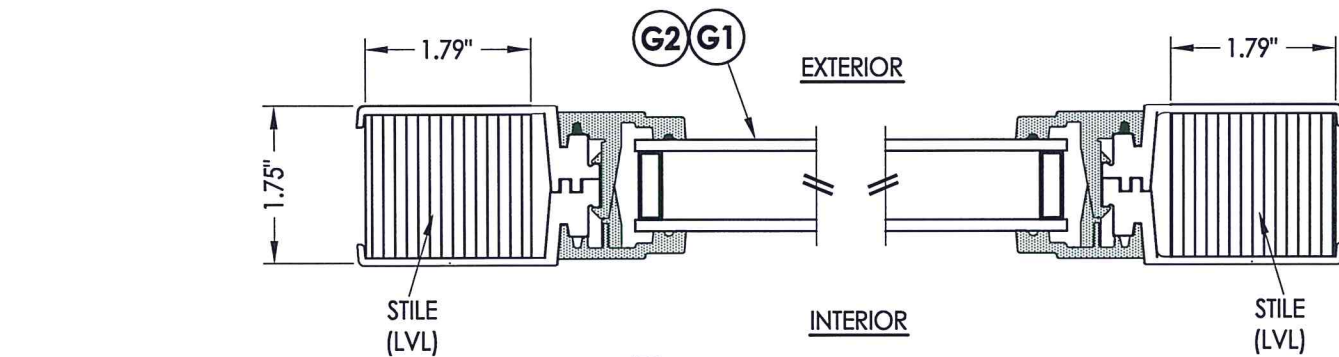
PRODUCT:	TRINITY GLASS INT'L
PART OR ASSEMBLY:	DOOR PANEL DETAILS

NO.	DATE	BY	REVISIONS

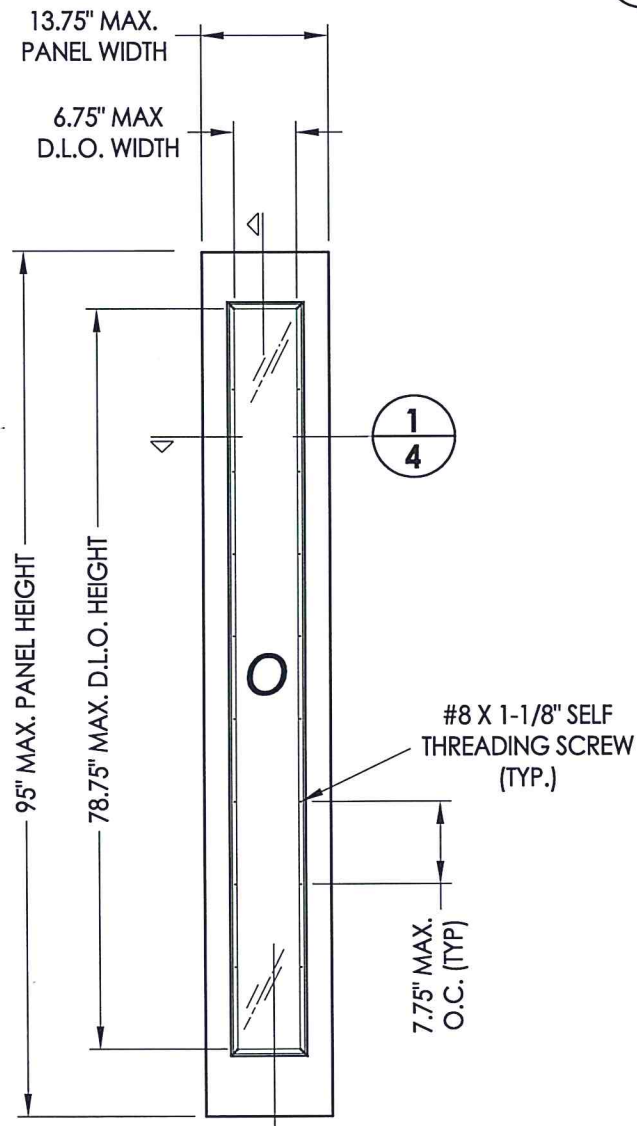
DATE:	7/11/22
SCALE:	N.T.S.
DWG. BY:	RW
CHK. BY:	LFS
DRAWING NO.:	TX-5275
SHEET	3 OF 11

DOOR SKIN: 0.079" MIN. THK. FIBERGLASS
CORE MATERIAL: POLYURETHANE FOAM

Z:\Clients\Trinity Glass Permanent\B - Texas Dept of Ins\DR-XXXX 8-0 GLZ FG - NI - LT HOUSEVC - Drawings\TX-5274-76.dwg

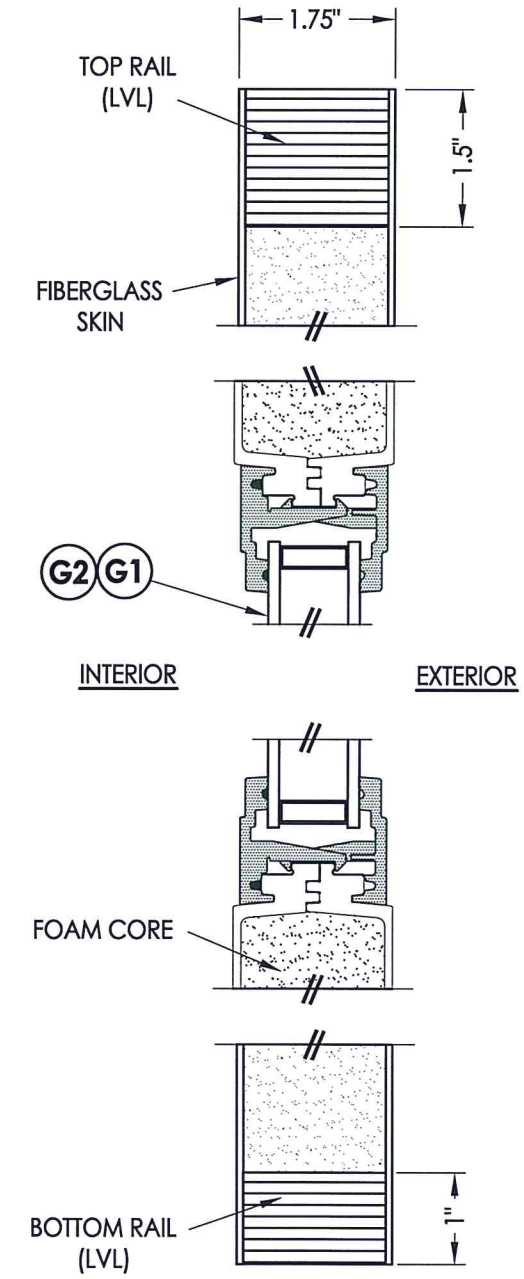


1
4 HORIZONTAL CROSS SECTION



2
4 **60** SIDELITE PANEL LIGHTHOUSE

DOOR SKIN: 0.079" MIN. THK. FIBERGLASS
CORE MATERIAL: POLYURETHANE FOAM

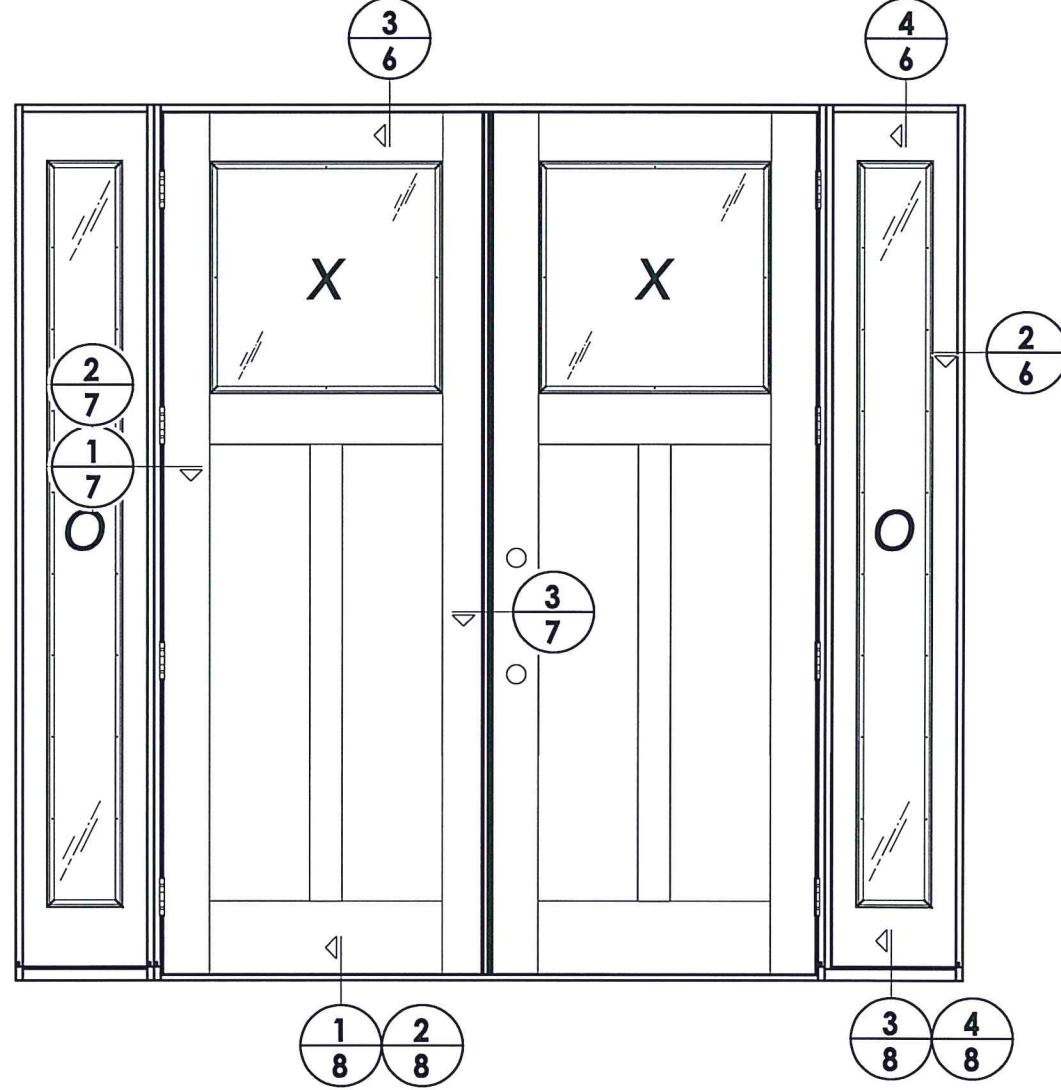
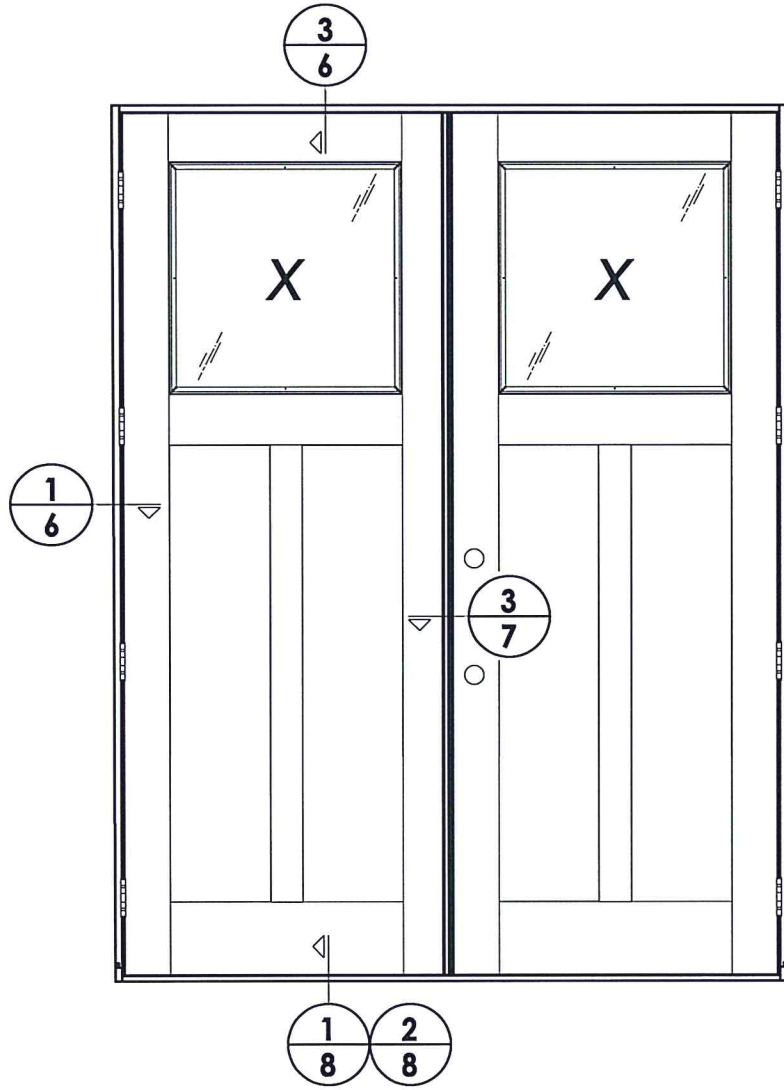


2
4 VERTICAL CROSS SECTION



Documents Prepared By: Lyndon F. Schmidt, P.E.
TEXAS P.E. #104123
RW BUILDING CONSULTANTS, INC.
P.O. Box 230 Vairico FL 33595
Phone No.: 813.659.9197
CERTIFICATE OF REGISTRATION # F-11852

PRODUCT: TRINITY GLASS INT'L	
PART OR ASSEMBLY: SIDELITE PANEL DETAILS (FLUSH GLAZING FRAME)	
NO.	DATE
BY	REVISIONS
DATE: 7/11/22	
SCALE: N.T.S.	
DWG. BY: RW	
CHK. BY: LFS	
DRAWING NO.: TX-5275	
SHEET 4 OF 11	



Documents Prepared By: Lyndon F. Schmidt, P.E.
 TEXAS P.E. #104123

RW BUILDING CONSULTANTS, INC.
 P.O. Box 230 Vairico FL. 33595
 Phone No.: 813.659.9197

CERTIFICATE OF REGISTRATION # F-11852

PRODUCT: TRINITY GLASS INT'L

PART OR ASSEMBLY: ELEVATIONS

NO.	DATE	REVISIONS	BY

DATE: 7/11/22

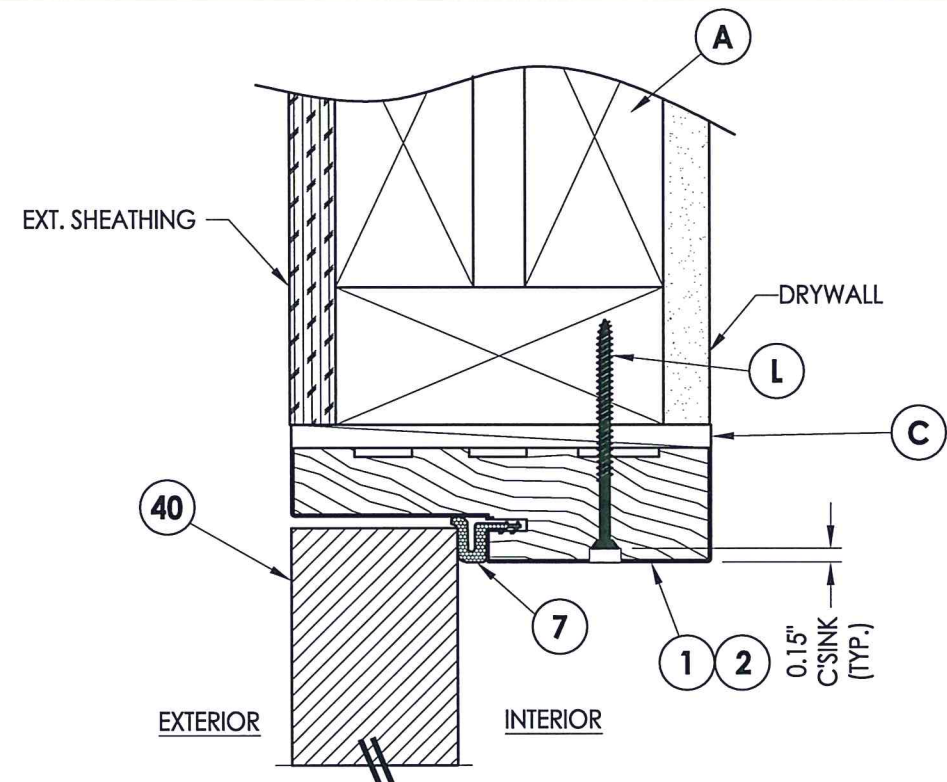
SCALE: N.T.S.

DWG. BY: RW

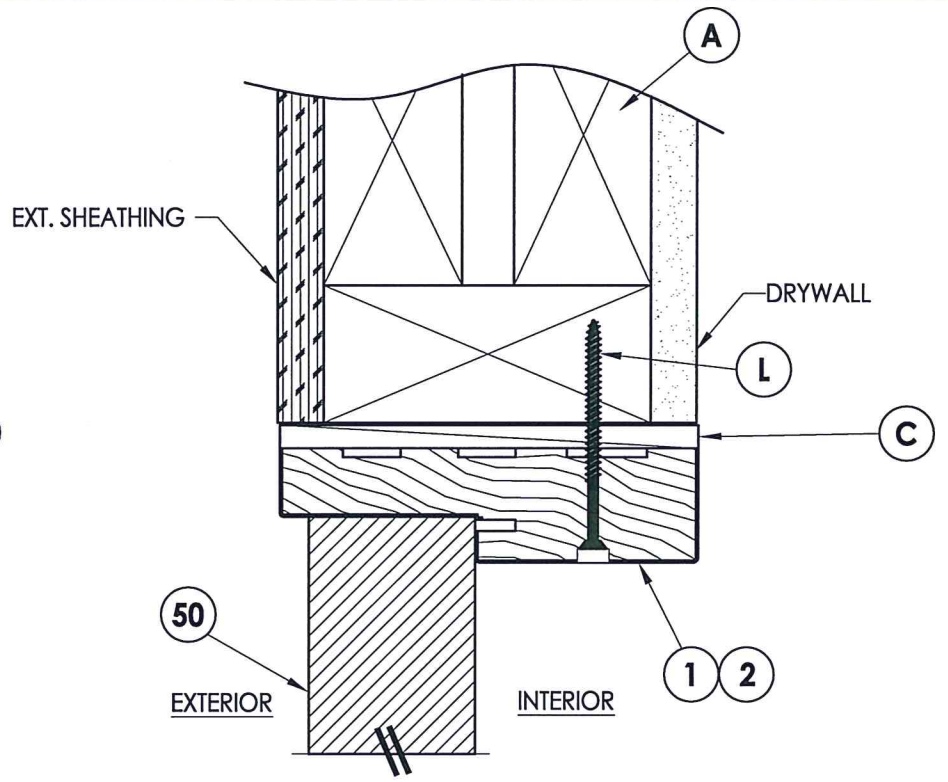
CHK. BY: LFS

DRAWING NO.: TX-5275

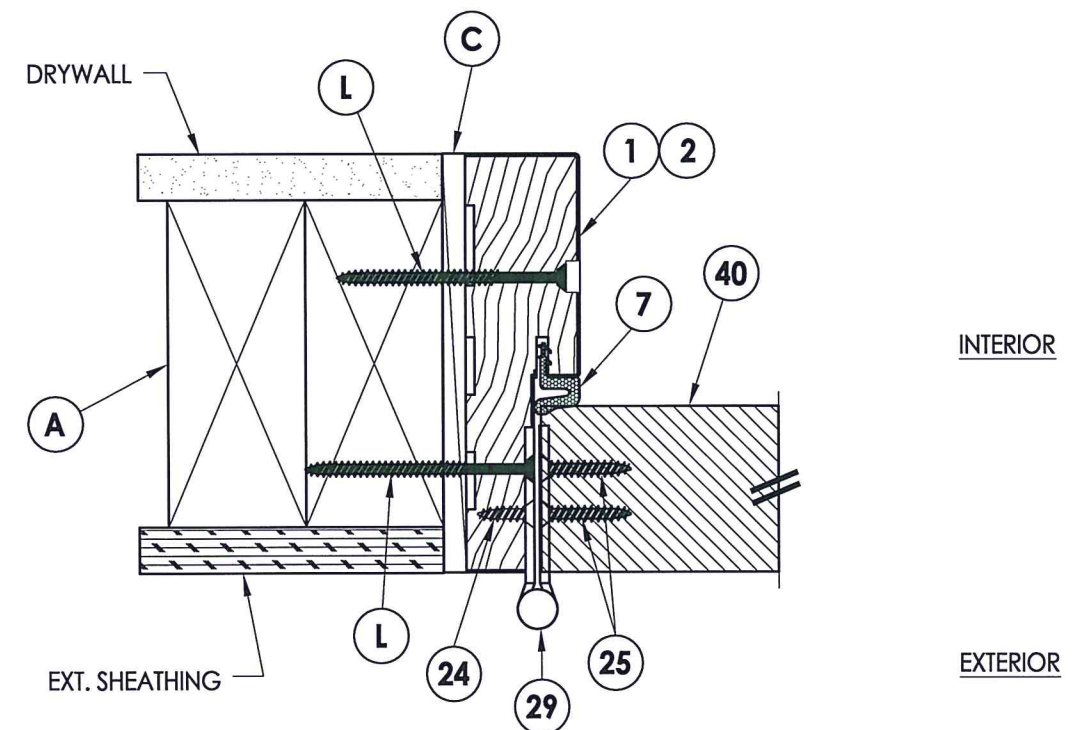
SHEET 5 OF 11



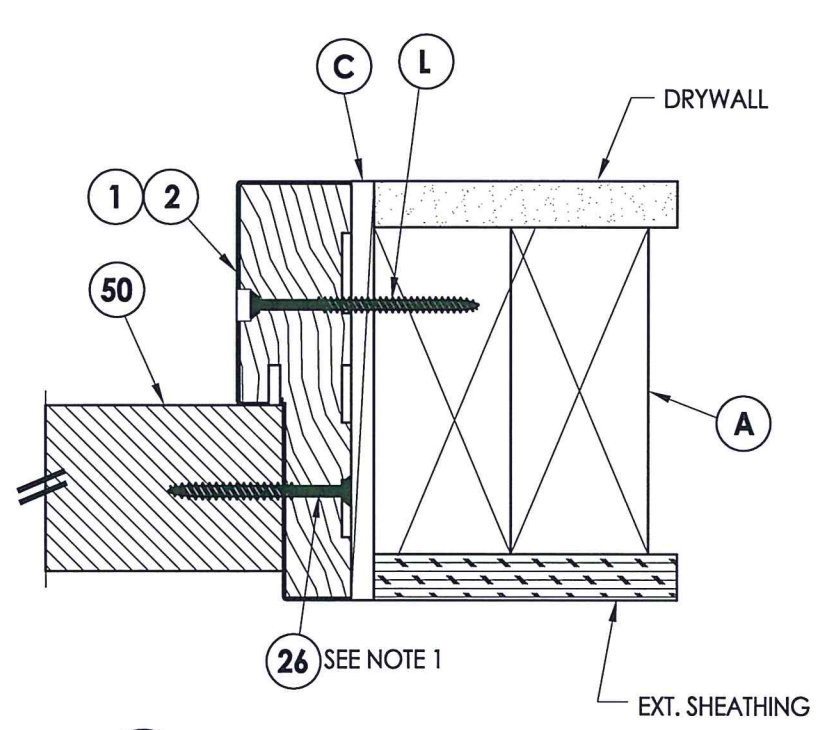
3 VERTICAL CROSS SECTION
6 Outswing shown (Inswing similar)



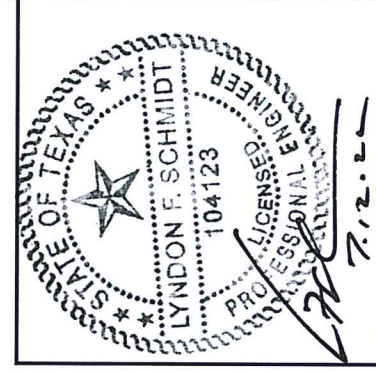
4 VERTICAL CROSS SECTION
6 Outswing shown (Inswing similar)



1 HORIZONTAL CROSS SECTION
6 Outswing shown (Inswing similar)



2 HORIZONTAL CROSS SECTION
6 Outswing shown (Inswing similar)



NOTES:
 1. Item #26 located 6" from each end and 3 more equally spaced (5 total).

Documents Prepared By: Lyndon F. Schmidt, P.E.
 TEXAS P.E. #104123
RW BUILDING CONSULTANTS, INC.
 P.O. Box 230 Valrico FL 33595
 Phone No.: 813.659.9197
 CERTIFICATE OF REGISTRATION # F-11852

PRODUCT: TRINITY GLASS INT'L
 PART OR ASSEMBLY: HORIZONTAL & VERTICAL CROSS SECTIONS

NO.	DATE	BY	REVISIONS

DATE: 7/11/22
 SCALE: N.T.S.
 DWG. BY: RW
 CHK. BY: LFS
 DRAWING NO.: TX-5275
 SHEET 6 OF 11

