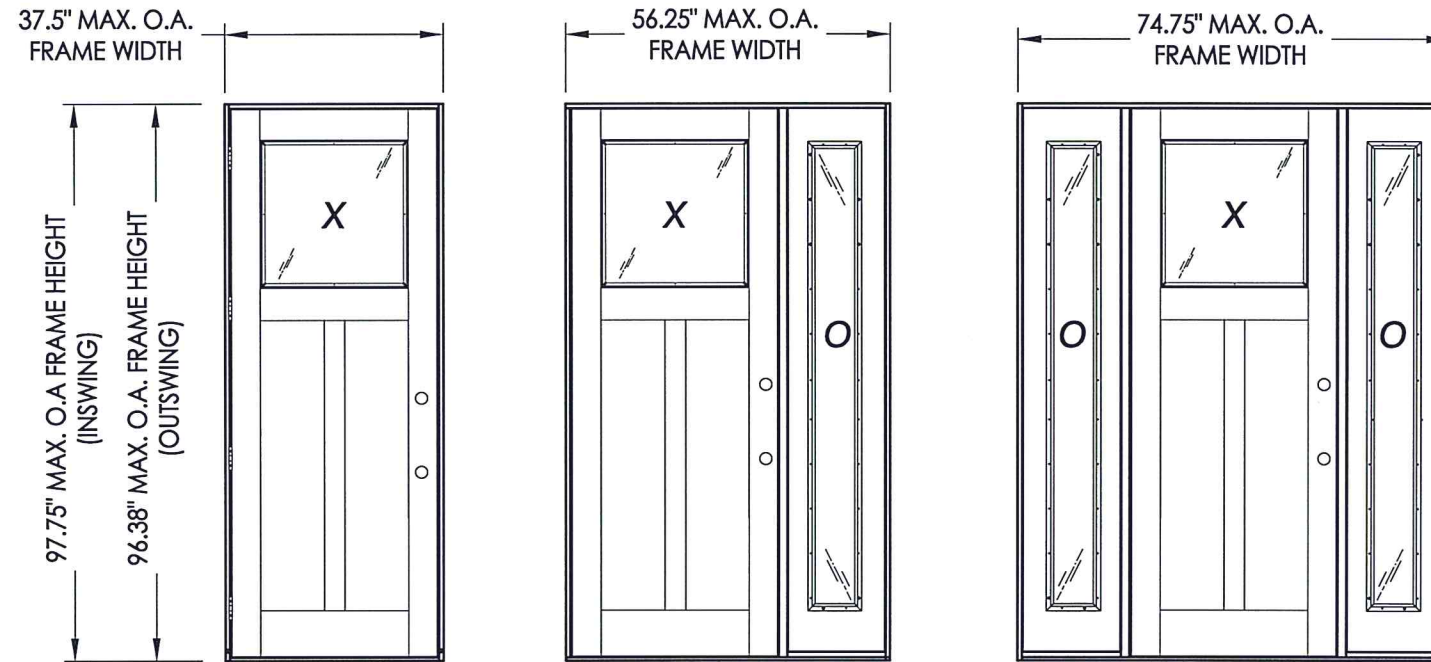


# "Lighthouse" GLAZED FIBERGLASS SINGLE DOOR w/ or w/out SIDELITE(S) "NON-IMPACT" INSWING / OUTSWING



Continuous Head & Sill

Continuous Head & Sill

**EVALUATED FOR USE IN THE STATE OF TEXAS**

The Fiberglass Door system described herein complies with the 2018 International Residential Code (IRC), Sections R301 & R609 and the 2018 International Building Code (IBC), Sections 1404.13, 1609, 1709.5, 2403 and 2404 subject to the following conditions:

1. Anchors shall be as listed and spaced as shown in the details. Anchor embedment to base material shall be beyond wall dressing or stucco.
2. When used in areas requiring wind-borne debris protection this product is required to be protected with an impact resistant covering that complies with Section R301.2.1.2 of the IRC and Section 1609.1.2 of the IBC.
3. Allowable design pressure requirements must be equal to or less than the design pressure rating shown in the design pressure chart, sheet 1 of this drawing.
4. Conditions not covered by this drawing are subject to further engineering analysis.

**TABLE OF CONTENTS**

SHEET #	DESCRIPTION
1	Typical elevations, design pressures & general notes
2	Door panel details
3	Sidelite panel details (Lip Lite Frame)
4	Sidelite panel details (Flush Glazing Frame)
5	Elevations
6	Horizontal & vertical cross sections
7	Horizontal cross sections
8	Vertical cross sections
9	Frame anchoring
10	Components
11	Bill of materials

CONFIGURATION	FRAME MATERIAL	DESIGN PRESSURE (PSF) INSWING		DESIGN PRESSURE (PSF) OUTSWING	
		POSITIVE	NEGATIVE	POSITIVE	NEGATIVE
X, OX, XO, OXO	FJ PINE	+45.0	-55.0	+60.0	-60.0
X, OX, XO, OXO	COMPOSITE	+45.0	-55.0	+50.0	-50.0

Refer to Sheet 4 for Flush Glazed Sidelite design pressure and frame size limitations.



Lyndon F. Schmidt, P.E.  
TEXAS P.E. #104123

**RW** BUILDING CONSULTANTS, INC.  
P.O. Box 230 Valrico FL 33595  
Phone No.: 813.659.9197

CERTIFICATE OF REGISTRATION # F-11852

Documents Prepared By:

PRODUCT: TRINITY GLASS INT'L  
PART OR ASSEMBLY: TYPICAL ELEVATION, DESIGN PRESSURES & GENERAL NOTES

NO.	DATE	BY	REVISIONS

DATE: 7/11/22

SCALE: N.T.S.

DWG. BY: RW

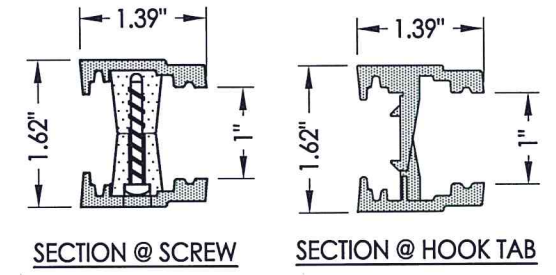
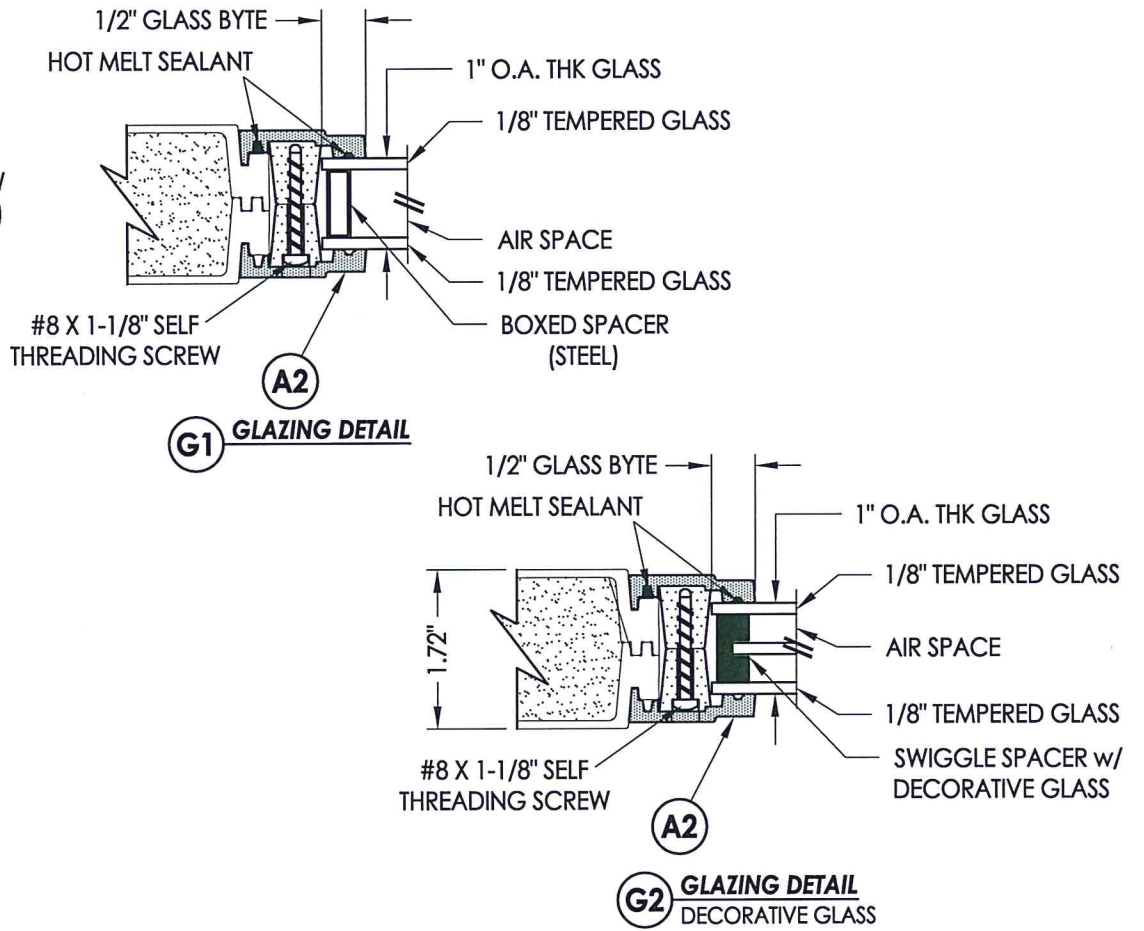
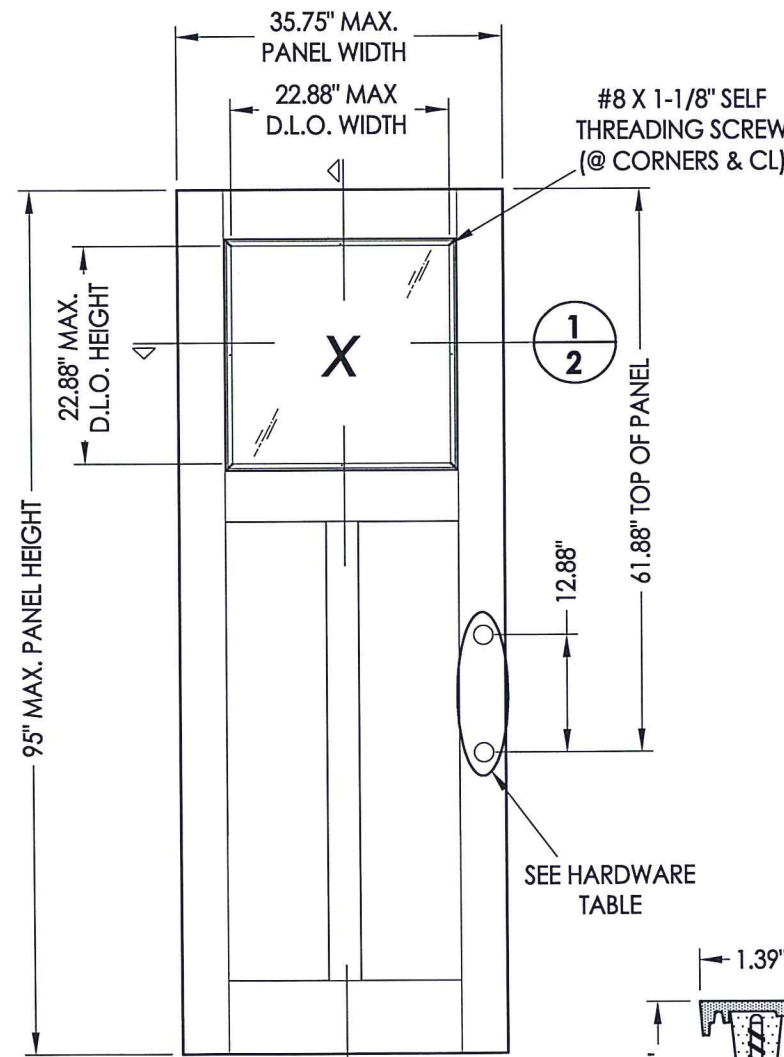
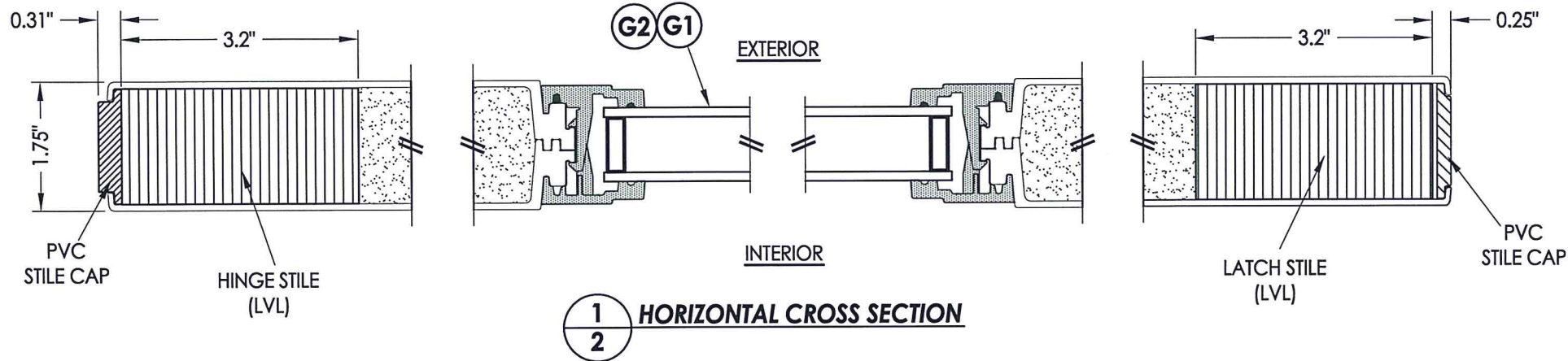
CHK. BY: LFS

DRAWING NO.: TX-5274

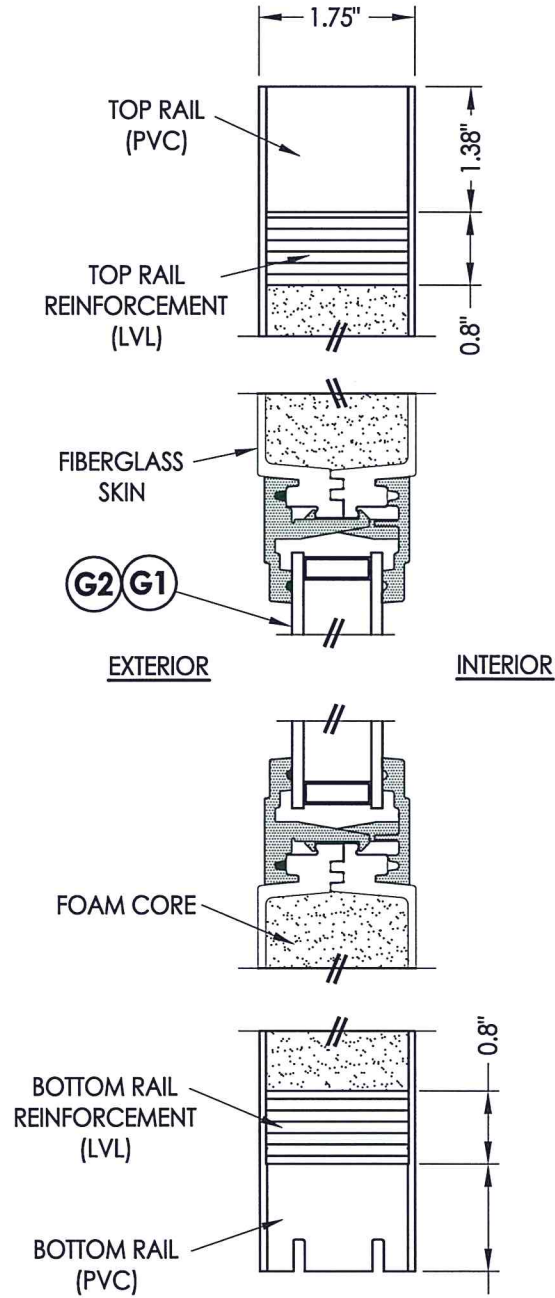
SHEET 1 OF 11



Z:\Clients\Trinity Glass PERMANENT\B - Texas Dept of Ins\DR-XXXX 8-0 GLZ FG - NI - LT HOUSEC - Drawings\TX-5274-76.dwg



HARDWARE CHART	
MANUFACTURER	MODEL
KWIKSET	KNOB: SIGNATURE SERIES
	DEADBOLT: SIGNATURE SERIES (980)
SCHLAGE	KNOB: F SERIES
	DEADBOLT: B60 SERIES



DOOR SKIN: 0.079" MIN. THK. FIBERGLASS  
CORE MATERIAL: POLYURETHANE FOAM



Documents Prepared By: Lyndon F. Schmidt, P.E.  
TEXAS P.E. #104123

**RW** BUILDING CONSULTANTS, INC.  
P.O. Box 230 Valrico FL 33595  
Phone No.: 813.659.9197

CERTIFICATE OF REGISTRATION # F-11852

PRODUCT: TRINITY GLASS INT'L

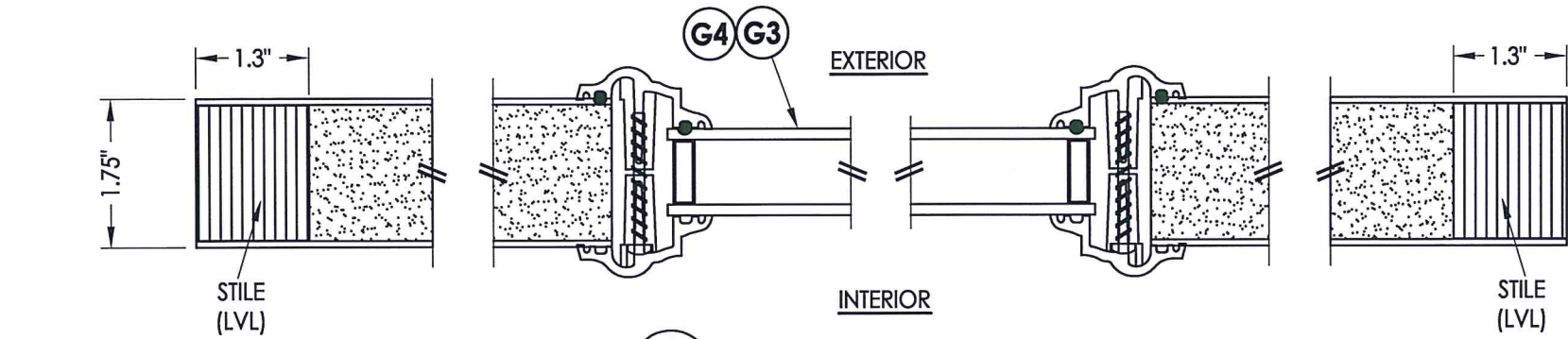
PART OR ASSEMBLY: DOOR PANEL DETAILS

NO.	DATE	BY	REVISIONS

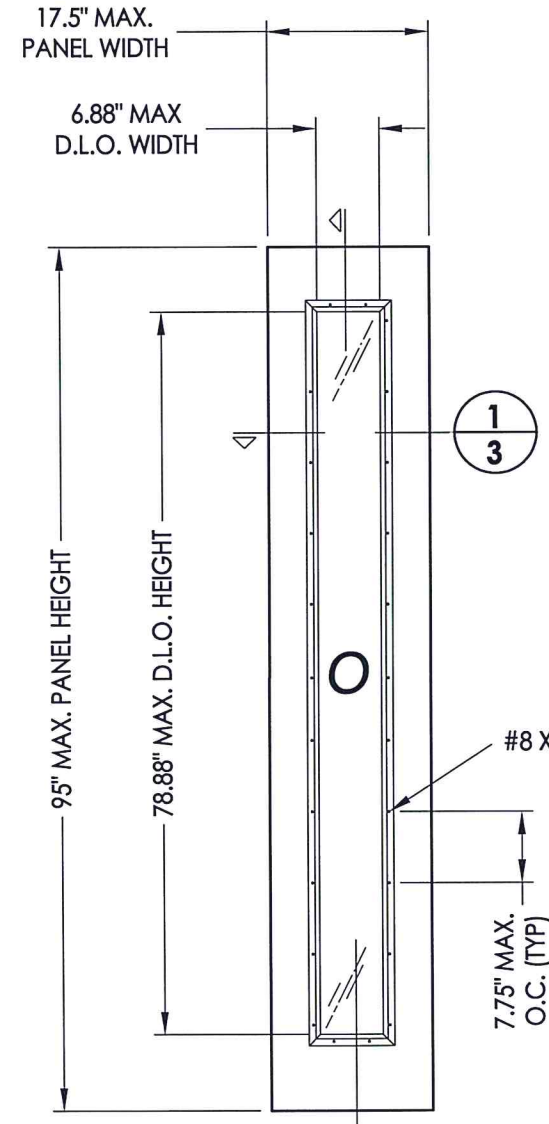
DATE: 7/11/22  
SCALE: N.T.S.  
DWG. BY: RW  
CHK. BY: LFS  
DRAWING NO.: TX-5274  
SHEET 2 OF 11



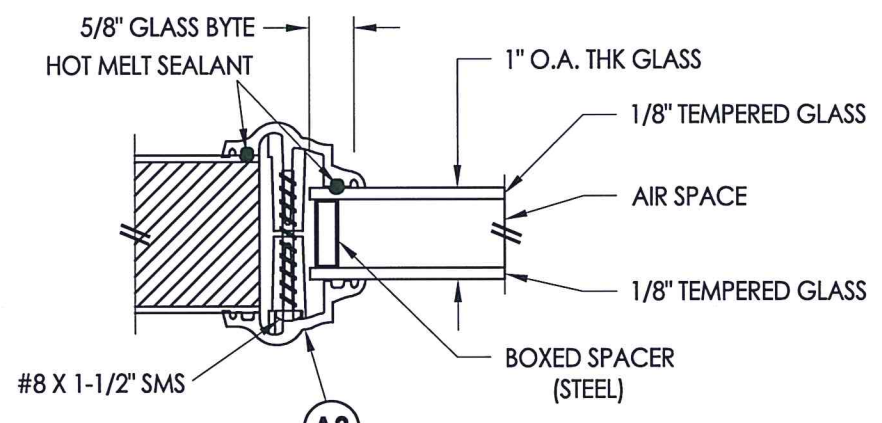
Z:\Clients\Trinity Glass Permanent\B - Texas Dept of Ins\DR-XXXX 8-0 GLZ FG - NI - LT HOUSE\C - Drawings\TX-5274-76.dwg



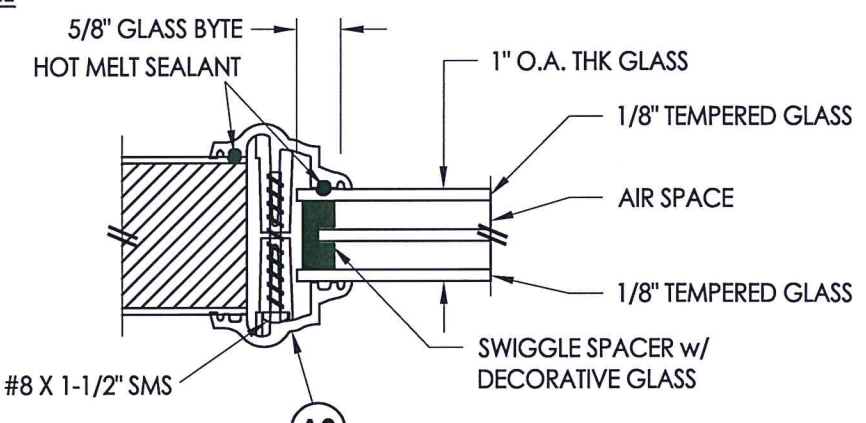
**1**  
**3** HORIZONTAL CROSS SECTION



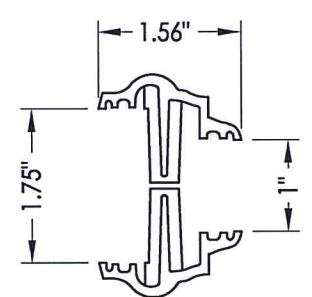
**50** SIDELITE PANEL  
Lighthouse



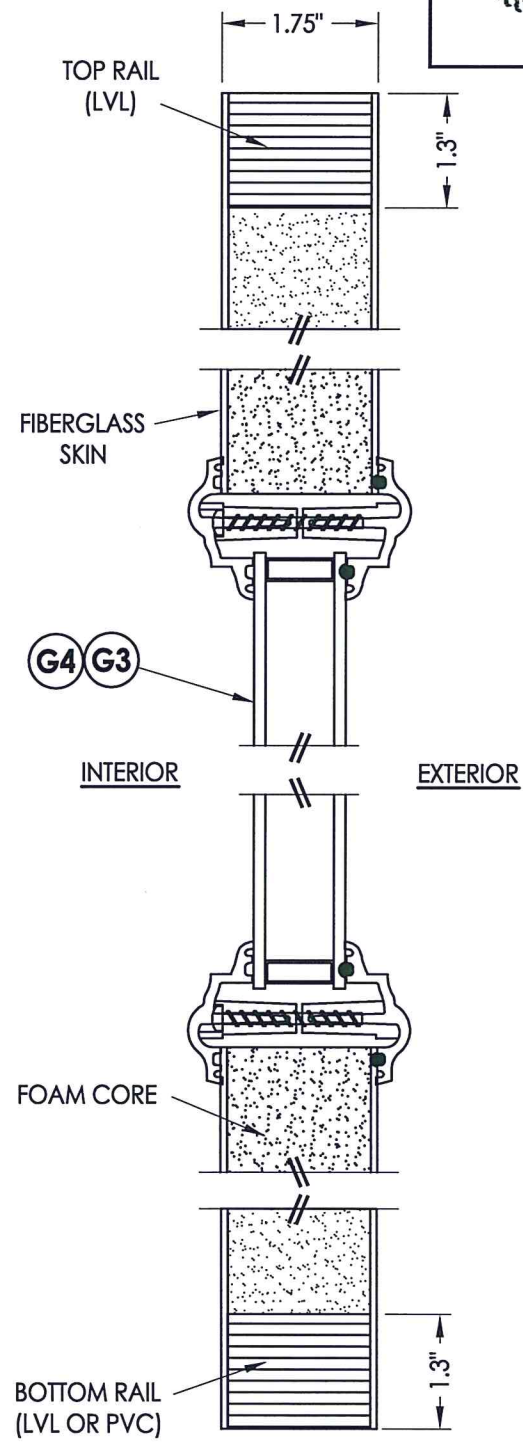
**A3** GLAZING DETAIL



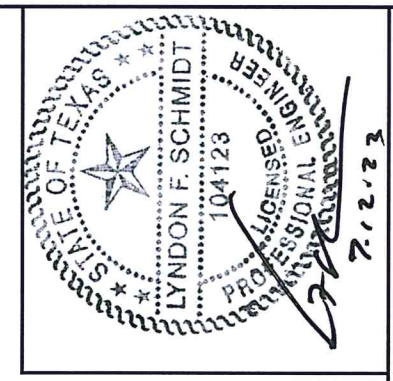
**G4** GLAZING DETAIL  
DECORATIVE GLASS



**A3** LIP LITE FRAME  
HP POLYPROPYLENE



**2**  
**3** VERTICAL CROSS SECTION



Documents Prepared By: Lyndon F. Schmidt, P.E.  
TEXAS P.E. #104123

**RW** BUILDING CONSULTANTS, INC.  
P.O. Box 230 Valrico FL 33595  
Phone No.: 813.659.9197

CERTIFICATE OF REGISTRATION # F-11852

PRODUCT: TRINITY GLASS INT'L

PART OR ASSEMBLY: DOOR PANEL DETAILS

NO.	DATE	BY	REVISIONS

DATE: 7/11/22

SCALE: N.T.S.

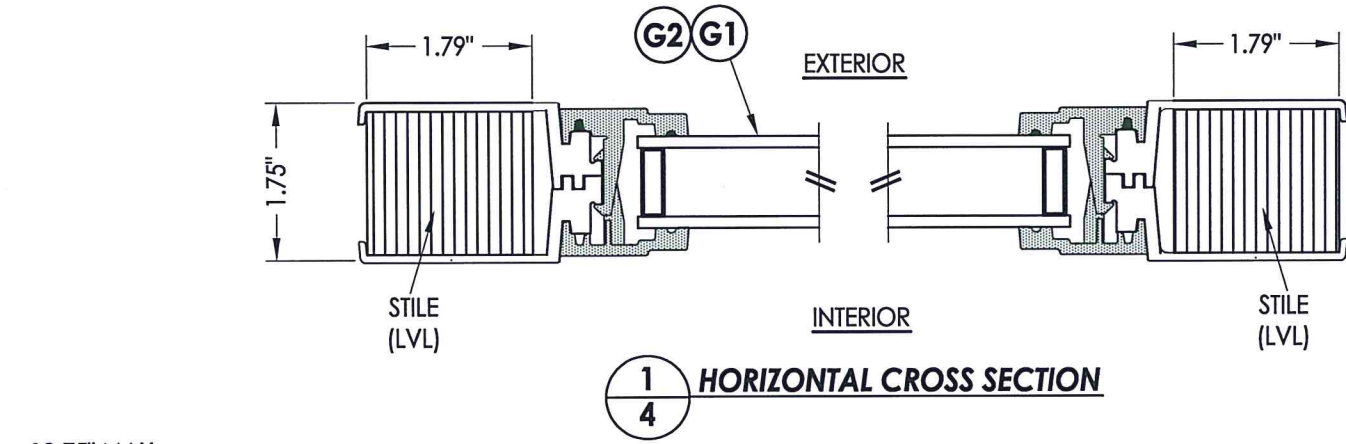
DWG. BY: RW

CHK. BY: LFS

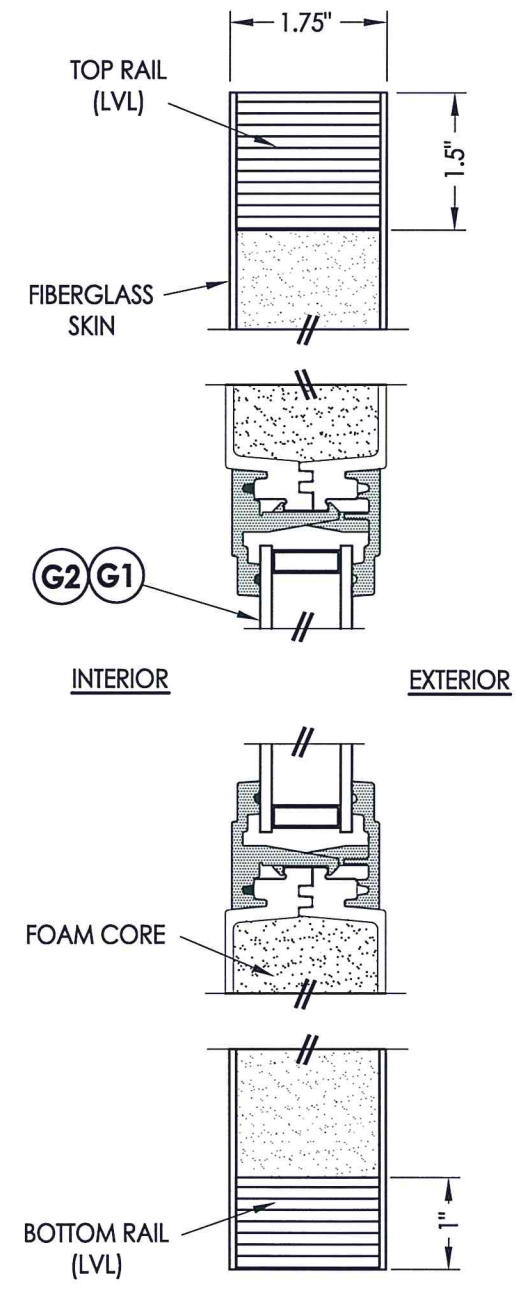
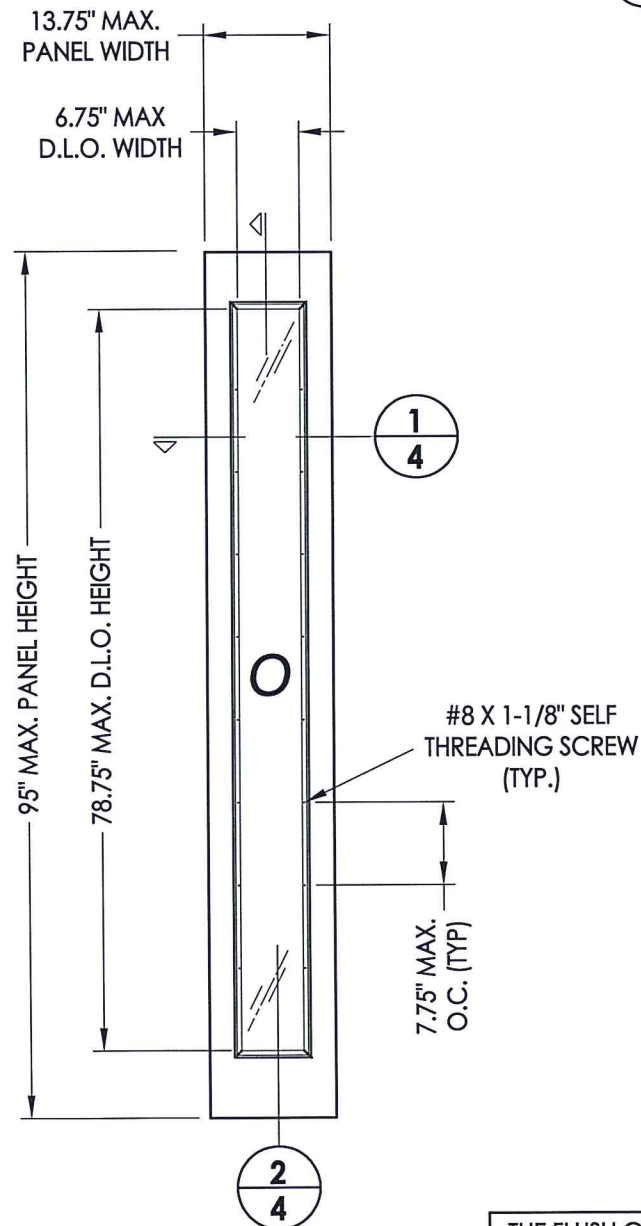
DRAWING NO.: TX-5274

SHEET 3 OF 11

DOOR SKIN: 0.079" MIN. THK. FIBERGLASS  
CORE MATERIAL: POLYURETHANE FOAM



**1**  
**4** HORIZONTAL CROSS SECTION

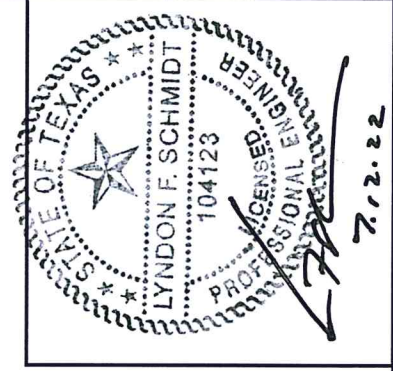


**2**  
**4** VERTICAL CROSS SECTION

**60** SIDELITE PANEL LIGHTHOUSE

THE FLUSH GLAZED SIDELITE IS LIMITED TO A MAXIMUM DESIGN PRESSURE OF ±50 PSF WHEN USED IN AN OUTSWING CONFIGURATION

DOOR SKIN: 0.079" MIN. THK. FIBERGLASS  
CORE MATERIAL: POLYURETHANE FOAM



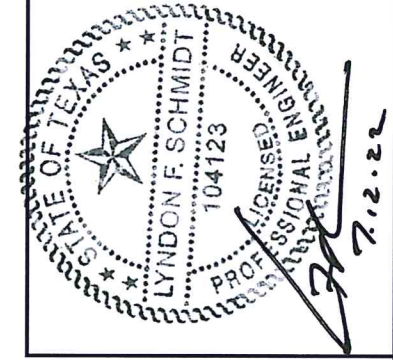
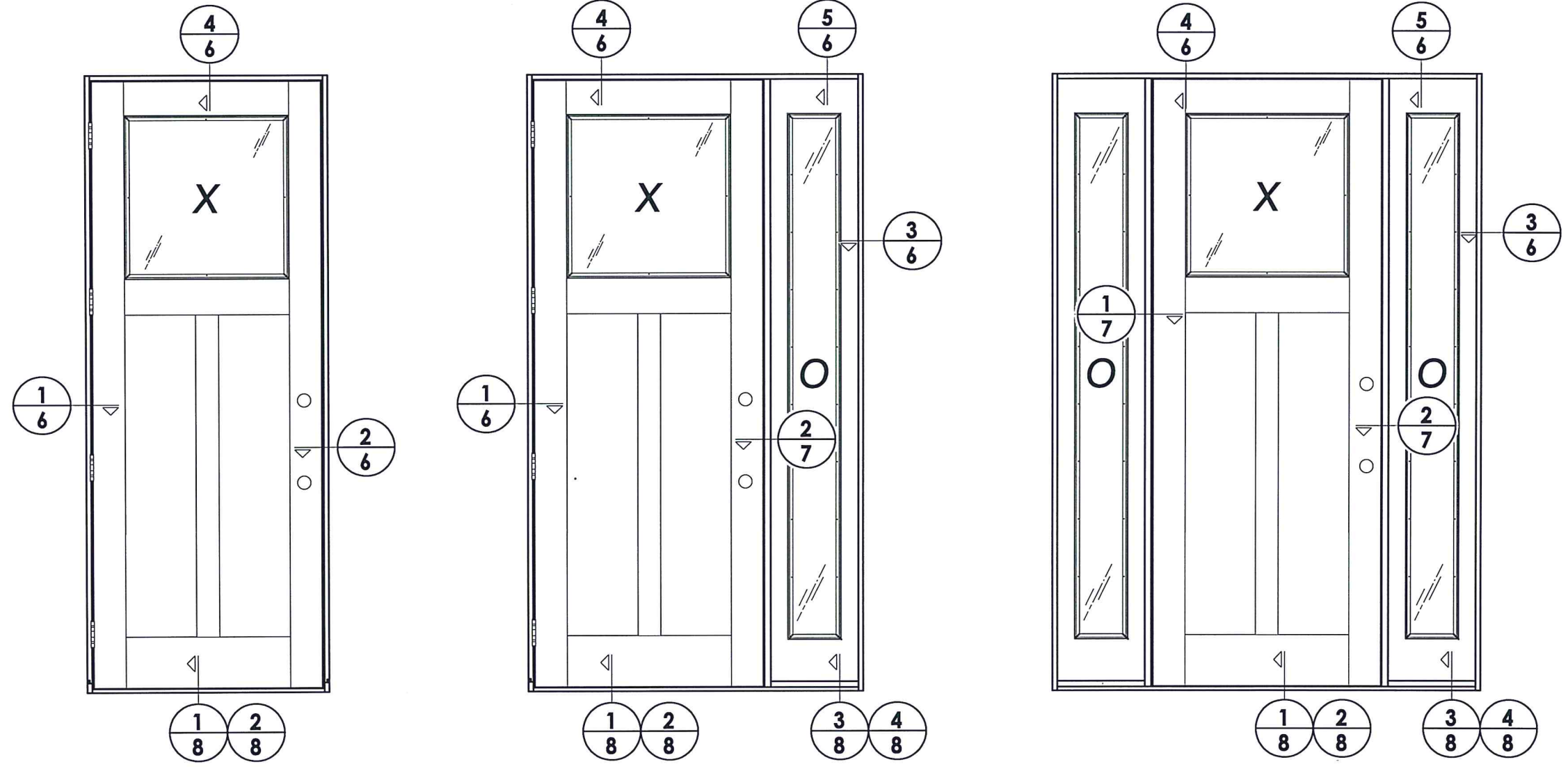
Documents Prepared By: Lyndon F. Schmidt, P.E.  
TEXAS P.E. #104123

**RW** BUILDING CONSULTANTS, INC.  
P.O. Box 230 Valrico FL 33595  
Phone No.: 813.659.9197

CERTIFICATE OF REGISTRATION # F-11852

PRODUCT: TRINITY GLASS INT'L	
PART OR ASSEMBLY: SIDELITE PANEL DETAILS (FLUSH GLAZING FRAME)	
NO.	DATE
BY	REVISIONS
DATE: 7/11/22	
SCALE: N.T.S.	
DWG. BY: RW	
CHK. BY: LFS	
DRAWING NO.: TX-5274	
SHEET 4 OF 11	





Documents Prepared By: Lyndon F. Schmidt, P.E.  
TEXAS P.E. #104123

**RW** BUILDING CONSULTANTS, INC.  
P.O. Box 230 Valrico FL 33595  
Phone No.: 813.659.9197

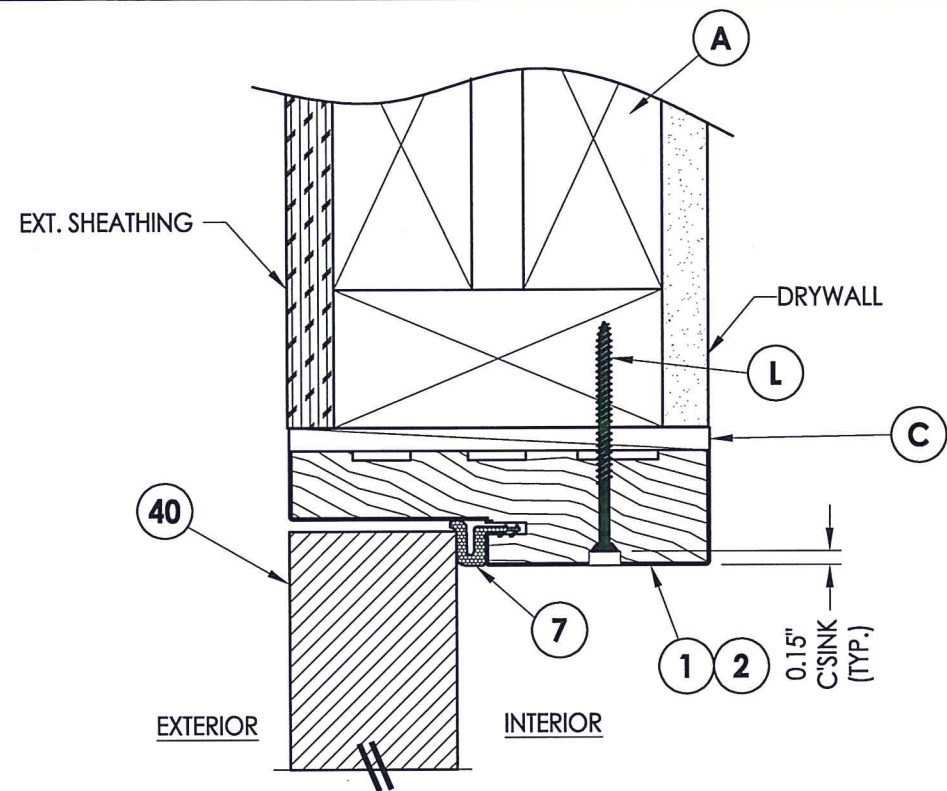
CERTIFICATE OF REGISTRATION # F-11852

PRODUCT: TRINITY GLASS INT'L  
PART OR ASSEMBLY: ELEVATIONS

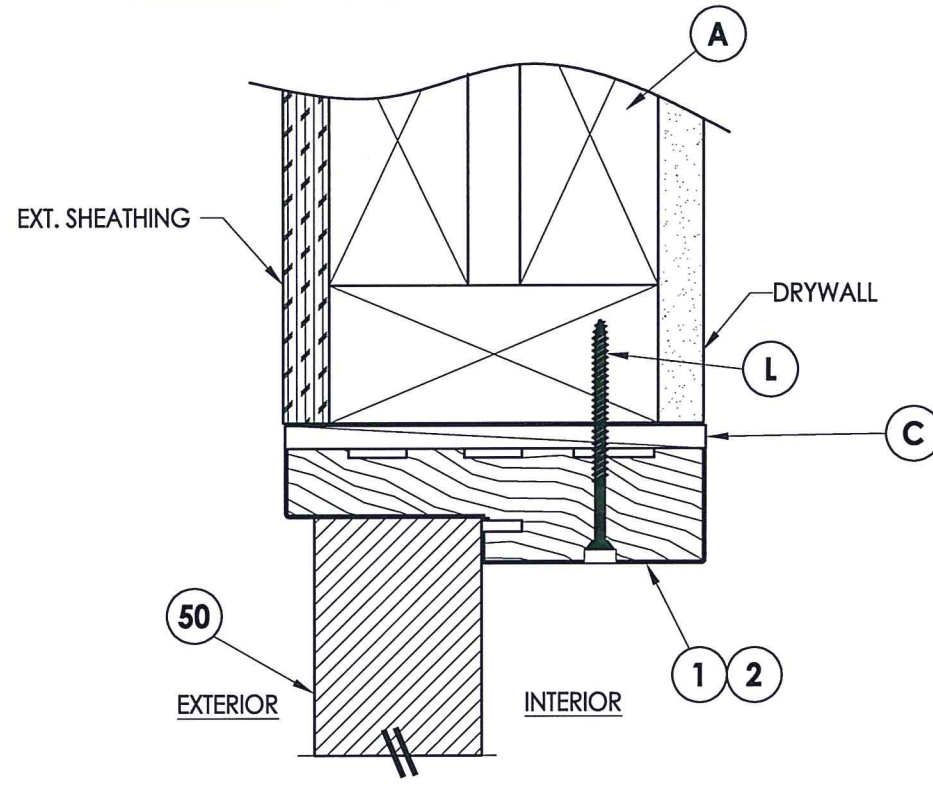
NO.	DATE	BY	REVISIONS

DATE: 7/11/22  
SCALE: N.T.S.  
DWG. BY: RW  
CHK. BY: LFS  
DRAWING NO.: TX-5274  
SHEET 5 OF 11

Z:\Clients\Trinity Glass PERMANENT\B - Texas Dept of Ins\DR-XXXX 8-0 GLZ FG - NI - LT HOUSE\EC - Drawings\TX-5274-76.dwg

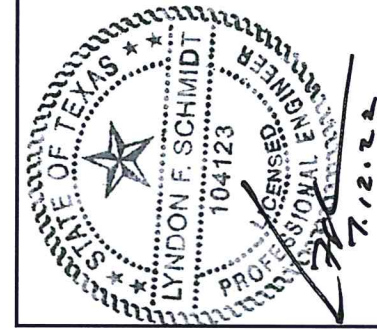


**4** VERTICAL CROSS SECTION  
**6** Outswing shown (Inswing similar)



**5** VERTICAL CROSS SECTION  
**6** Outswing shown (Inswing similar)

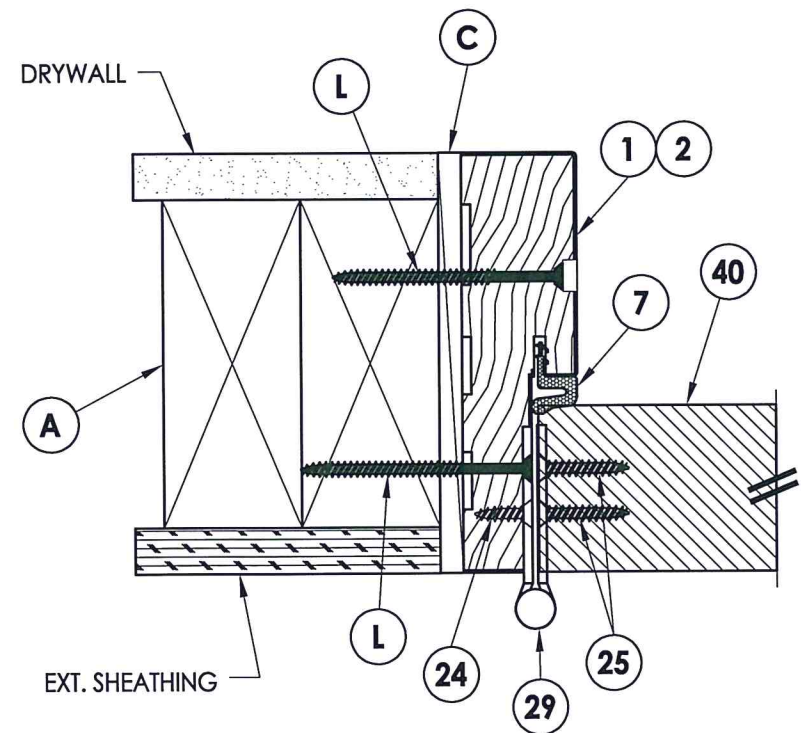
NOTE:  
 1. Item #26 located 6" from each end plus 5 more equally spaced (7 total).



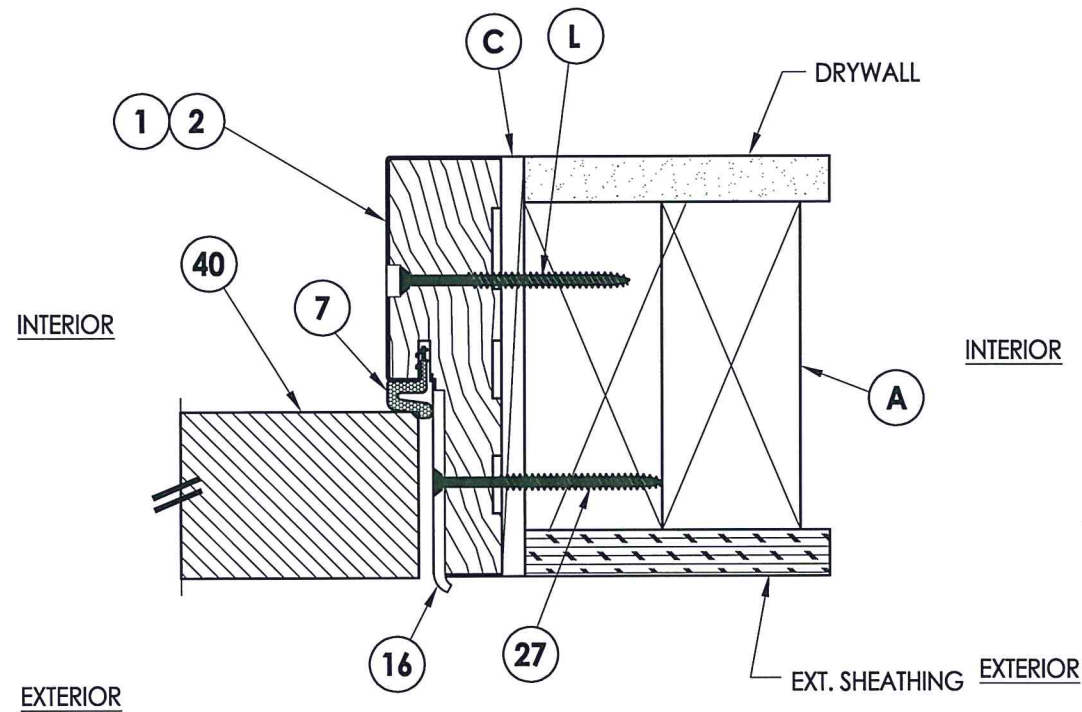
Documents Prepared By: Lyndon F. Schmidt, P.E.  
 TEXAS P.E. #104123

**RW** BUILDING CONSULTANTS, INC.  
 P.O. Box 230 Valrico FL 33595  
 Phone No.: 813.659.9197

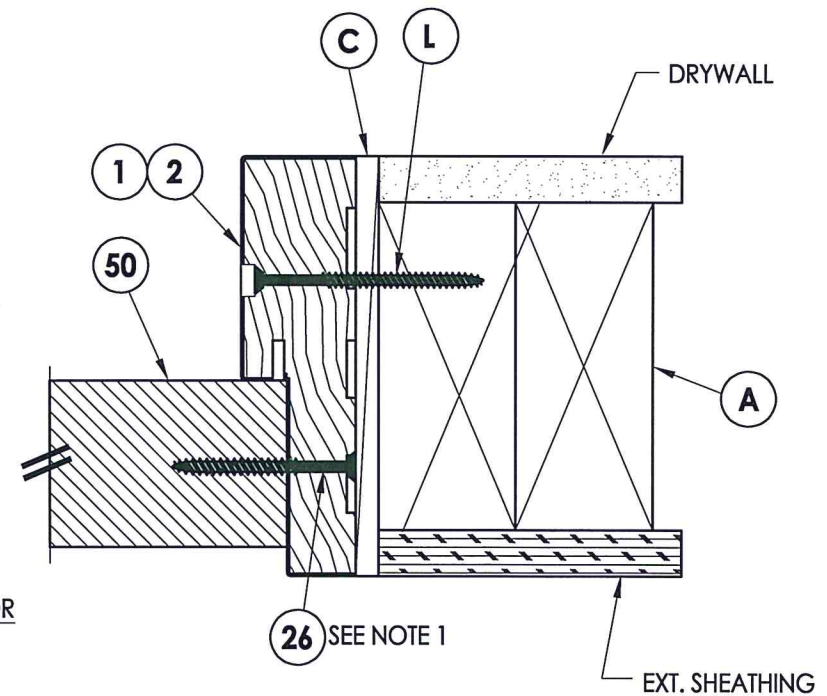
CERTIFICATE OF REGISTRATION # F-11852



**1** HORIZONTAL CROSS SECTION  
**6** Outswing shown (Inswing similar)



**2** HORIZONTAL CROSS SECTION  
**6** Outswing shown (Inswing similar)

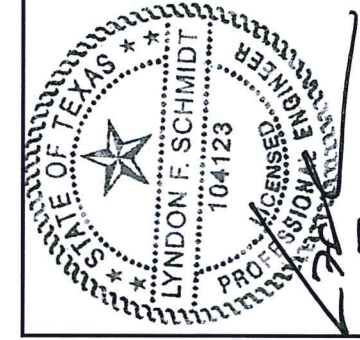
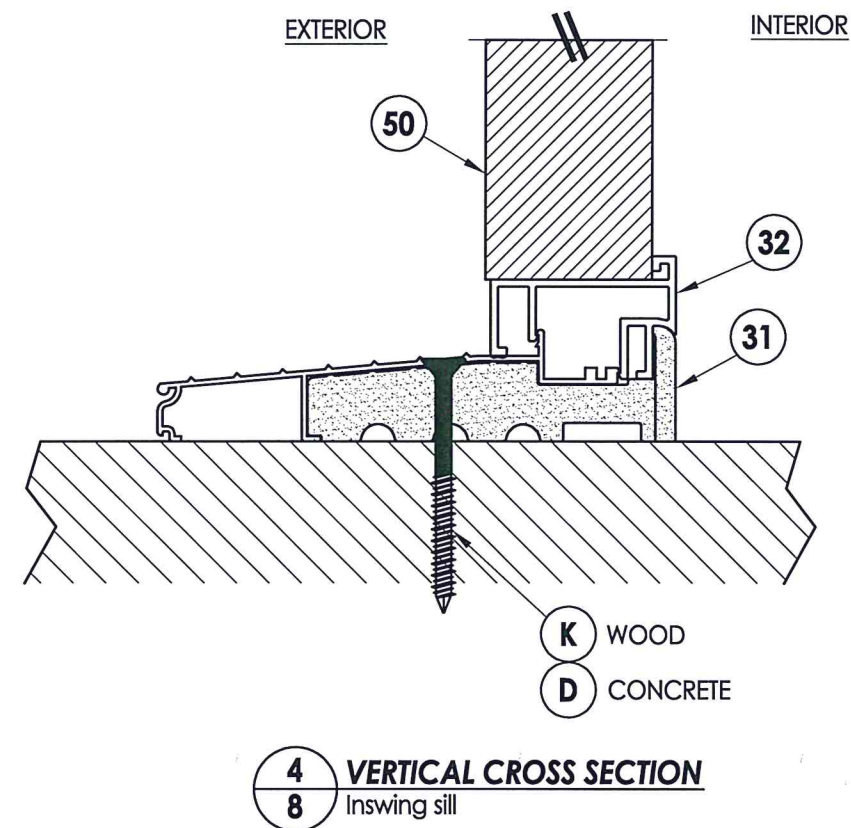
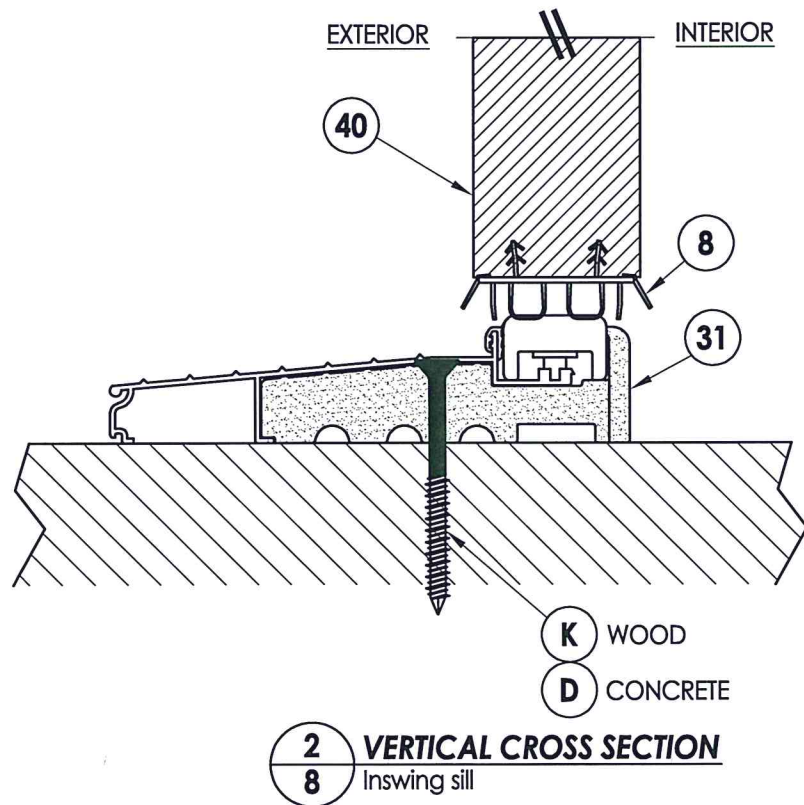
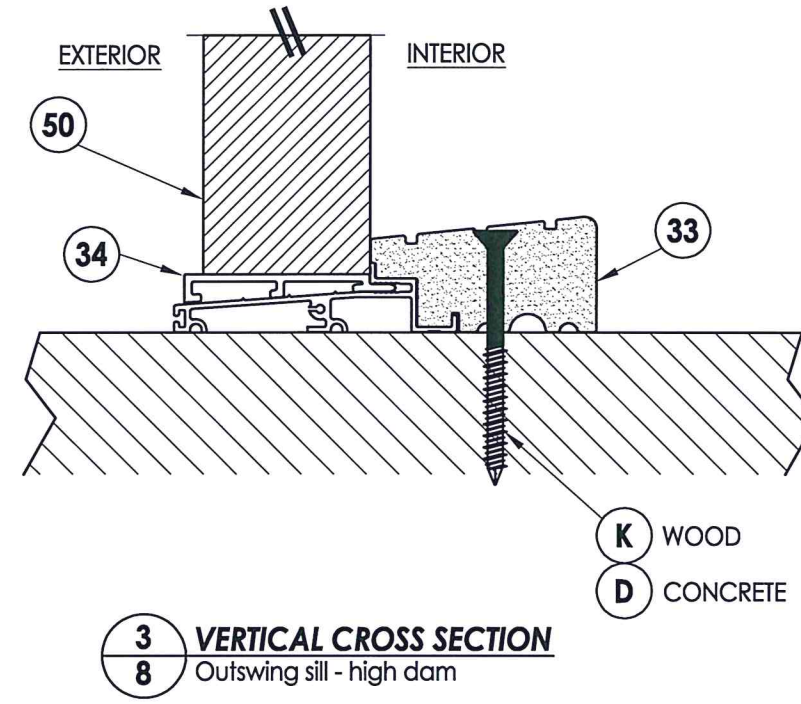
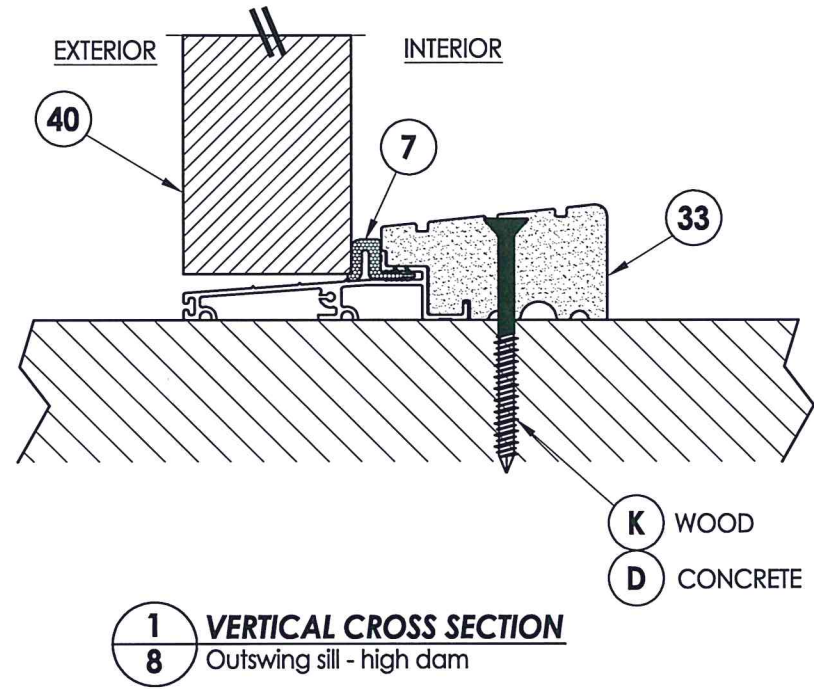


**3** HORIZONTAL CROSS SECTION  
**6** Outswing shown (Inswing similar)

PRODUCT: TRINITY GLASS INT'L	
PART OR ASSEMBLY: HORIZONTAL & VERTICAL CROSS SECTIONS	
NO.	DATE
BY	REVISIONS
DATE: 7/11/22	
SCALE: N.T.S.	
DWG. BY: RW	
CHK. BY: LFS	
DRAWING NO.: TX-5274	
SHEET 6 OF 11	







Documents Prepared By: Lyndon F. Schmidt, P.E.  
TEXAS P.E. #104123

**RW** BUILDING CONSULTANTS, INC.  
P.O. Box 230 Valrico FL 33595  
Phone No.: 813.659.9197

CERTIFICATE OF REGISTRATION # F-11852

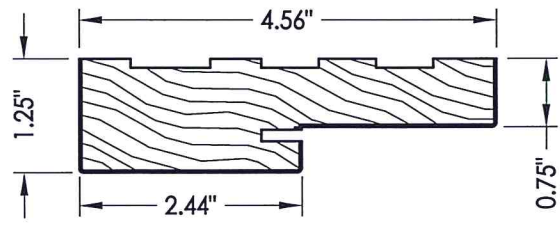
PRODUCT: TRINITY GLASS INT'L	
PART OR ASSEMBLY: VERTICAL CROSS SECTIONS	
NO.	DATE
BY	REVISIONS
DATE: 7/11/22	
SCALE: N.T.S.	
DWG. BY: RW	
CHK. BY: LFS	
DRAWING NO.: TX-5274	
SHEET 8 OF 11	



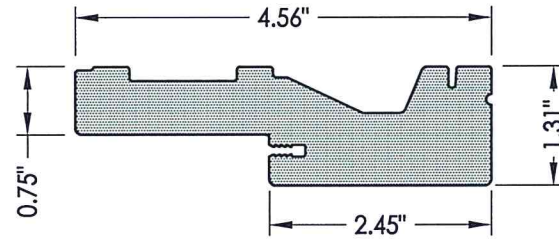




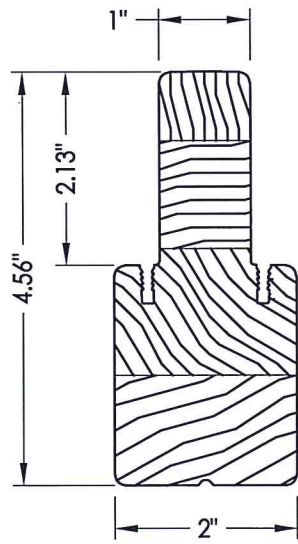
Z:\Clients\Trinity Glass PERMANENT\B - Texas Dept of Ins\DR-XXXX 8-0 GLZ FG - NI - LT HOUSE\C - Drawings\TX-5274-76.dwg



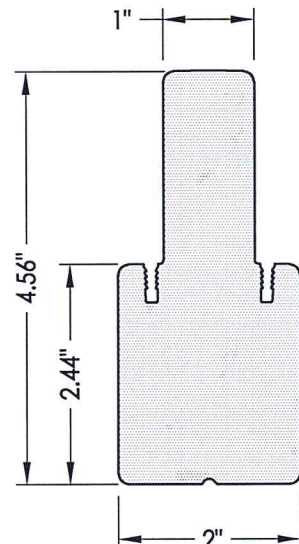
**1 HEAD & JAMBS**  
FINGER JOINT PINE



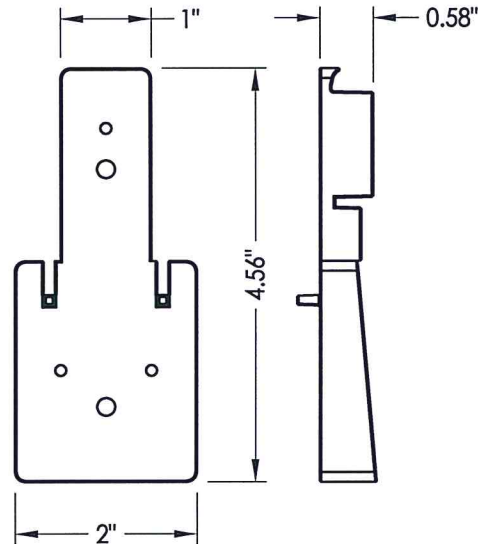
**2 HEAD & JAMBS**  
PVC



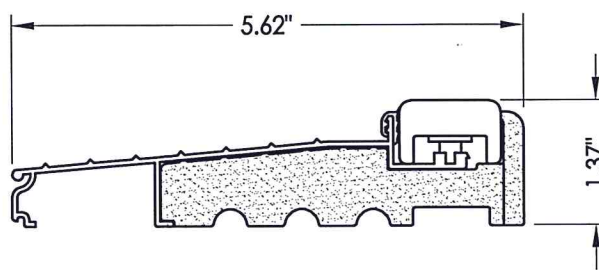
**4 INTEGRAL MULLION**  
PINE



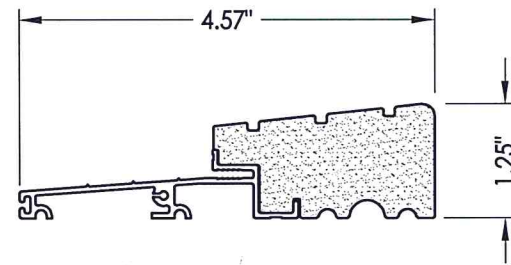
**5 INTEGRAL MULLION**  
PVC



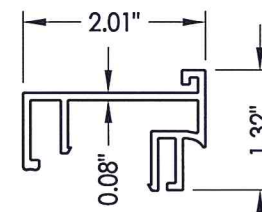
**6 INTEGRAL MULLION BASE KIT**  
Optional



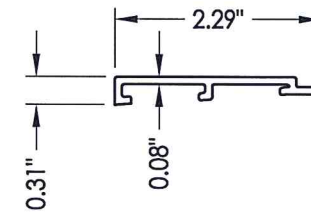
**31 INSWING THRESHOLD**



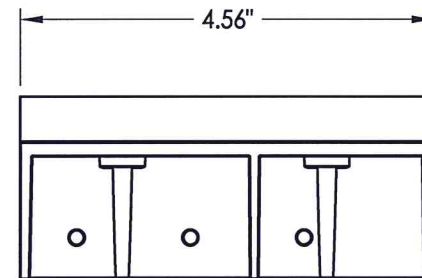
**33 OUTSWING THRESHOLD**  
High-dam



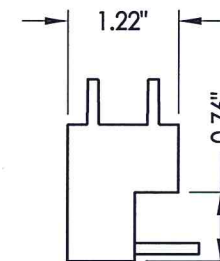
**32 SIDELITE SPACER**  
Inswing



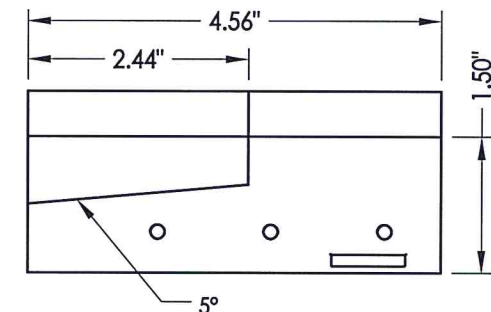
**34 SIDELITE SPACER**  
Outswing



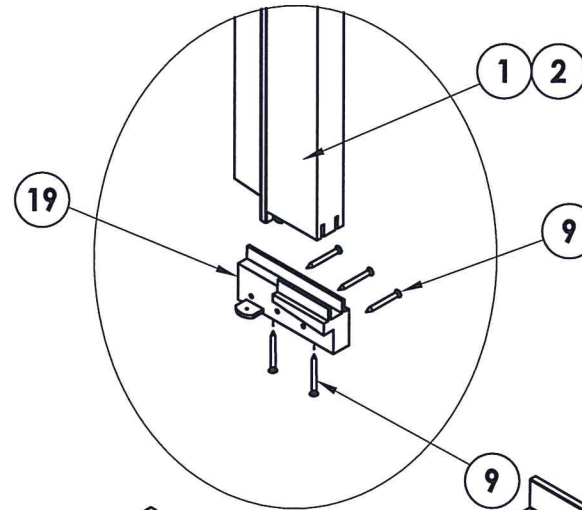
SILLKEY (LEFT)



SILLKEY (RIGHT)



**19 SILLKEY DETAILS**  
Optional



Documents Prepared By: Lyndon F. Schmidt, P.E.  
TEXAS P.E. #104123

**RW** BUILDING CONSULTANTS, INC.  
P.O. Box 230 Vairico FL 33595  
Phone No.: 813.659.9197

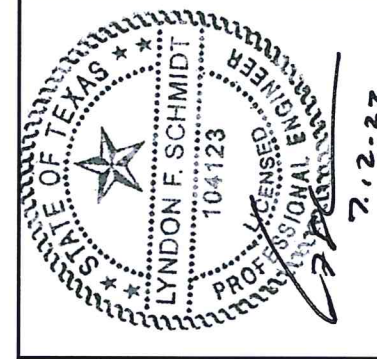
CERTIFICATE OF REGISTRATION # F-11852

PRODUCT: TRINITY GLASS INT'L	
PART OR ASSEMBLY: COMPONENTS	
NO.	DATE
BY	
REVISIONS	
DATE: 7/11/22	
SCALE: N.T.S.	
DWG. BY: RW	
CHK. BY: LFS	
DRAWING NO.: TX-5274	
SHEET 10 OF 11	

© 2022 R.W. BUILDING CONSULTANTS INC.



BILL OF MATERIALS		
ITEM #	DESCRIPTION	MATERIAL
A	2X FRAMING (SG >= 0.42)	WOOD
C	1/4" MAX. SHIM SPACE	-
D	1/4" FH DeWALT OR ITW CONCRETE SCREW (1-3/4" MIN. EMBEDMENT)	STEEL
K	#10 FH WOOD SCREW (1-3/4" MIN. EMBEDMENT)	STEEL
L	#10 X 2-1/2" PFH WS (1.15" MIN. EMBEDMENT)	STEEL
1	HEAD & JAMB (FINGER JOINT PINE: SG >= 0.42)	WOOD
2	HEAD & JAMB	PVC
4	INTEGRAL MULLION (PINE: SG >= 0.42)	WOOD
5	INTEGRAL MULLION (PVC)	PVC
6	INTEGRAL MULLION BASE KIT	ABS
7	WEATHERSTRIP	FOAM
8	DOOR BOTTOM SWEEP	PVC
16	LATCH STRIKE PLATE	STEEL
17	DEADBOLT STRIKE PLATE	STEEL
18	DEADBOLT SUB-STRIKE PLATE	STEEL
19	SILLKEY	ABS
22	#8 X 1/2" PFH WOOD SCREW	STEEL
23	#12 X 2-1/2" PFH WOOD SCREW	STEEL
24	#9 X 3/4" PFH WS	STEEL
25	#9 X 1" PFH WS	STEEL
26	#10 X 2" PFH WS	STEEL
27	#8 X 2-1/2" PFH WOOD SCREW	STEEL
28	#10 X 3" PFH WOOD SCREW	STEEL
29	4" X 4" HINGE	STEEL
31	INSWING THRESHOLD ALUMINUM w/ COMPOSITE SUBSTRATE	ALUM/ COMP
32	SIDELITE SPACER - INSWING	PVC
33	OUTSWING HIGH - DAM THRESHOLD ALUMINUM w/ COMPOSITE SUBSTRATE	ALUM/ COMP
34	SIDELITE SPACER - OUTSWING	PVC
40	DOOR PANEL	-
50	SIDELITE PANEL	-



Documents Prepared By: Lyndon F. Schmidt, P.E.  
TEXAS P.E. #104123

**RW** BUILDING CONSULTANTS, INC.  
P.O. Box 230 Valrico FL 33595  
Phone No.: 813.659.9197

CERTIFICATE OF REGISTRATION # F-11852

PRODUCT:	TRINITY GLASS INT'L		
PART OR ASSEMBLY:	BILL OF MATERIALS		
NO.	DATE	BY	REVISIONS

**CONCRETE ANCHOR NOTES:**

- Concrete anchor locations at the corners may be adjusted to maintain the min. edge distance to mortar joints.
- Concrete anchor locations noted as "MAX. ON CENTER" must be adjusted to maintain the min. edge distance to mortar joints, additional concrete anchors may be required to ensure the "MAX. ON CENTER" dimension are not exceeded.
- Concrete anchor table:

ANCHOR TYPE	ANCHOR SIZE	MIN. EMBEDMENT	MIN. CLEARANCE TO MASONRY EDGE	MIN. CLEARANCE TO ADJACENT ANCHOR
ITW TAPCON®	1/4"	1-3/4"	2"	4"
DeWALT ULTRACON®	1/4"	1-3/4"	1"	4"

**WOOD SCREW INSTALLATION NOTES:**

- Maintain a minimum 5/8" edge distance, 1" end distance, & 1" o.c. spacing of wood screws to prevent the splitting of wood.

DATE: 7/11/22  
SCALE: N.T.S.  
DWG. BY: RW  
CHK. BY: LFS  
DRAWING NO.: TX-5274  
SHEET 11 OF 11