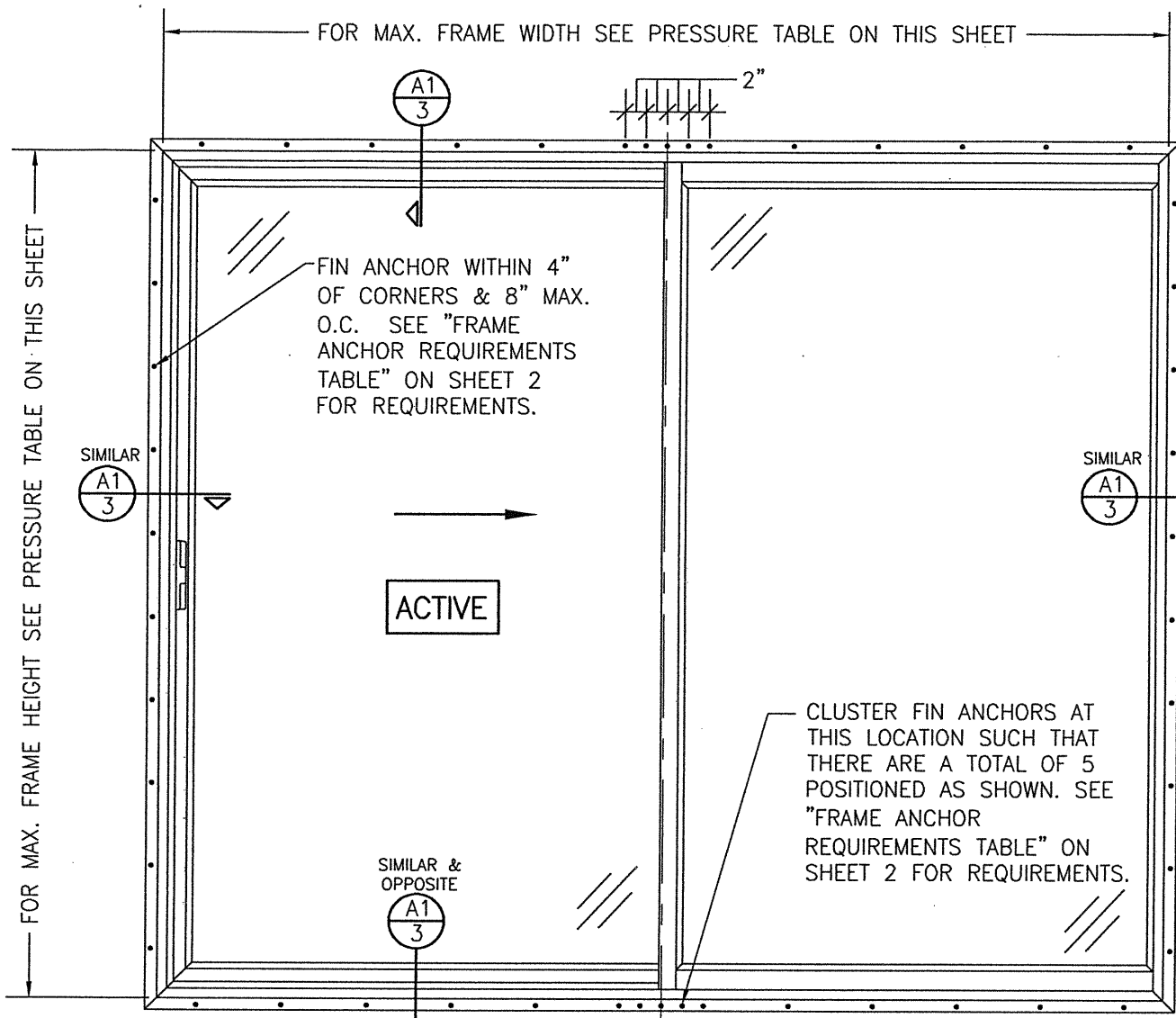
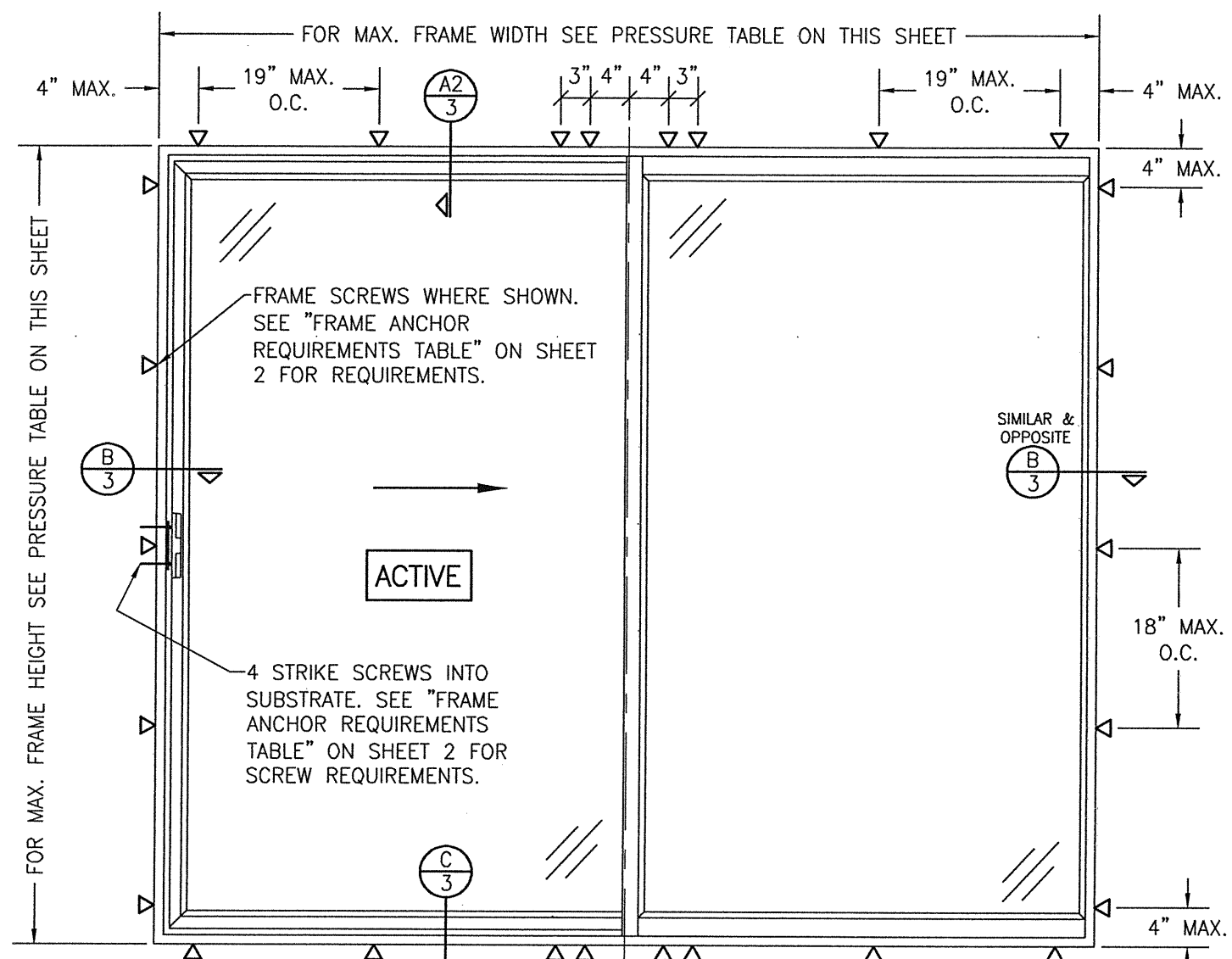


THESE DRAWINGS ARE APPLICABLE ONLY TO THE PRODUCT SPECIFIED. THEY MAY NOT BE USED FOR THE ASSEMBLY AND/OR INSTALLATION OF ANY OTHER PRODUCT NOR MAY THEY BE USED FOR RATIONAL AND/OR LOCAL APPROVAL OF ANY PRODUCT NOT PRODUCED BY THE MANUFACTURER STATED ON THESE DRAWINGS.

DRAWN BY: W.W.S.
 CHECKED BY: W.W.S.
 PLOT: 1=16
 DATE: 03/04/20



**EXTERIOR ELEVATION:
 SLIDING DOOR**
 SCALE: 3/4" = 1'-0"
 (NAIL FIN MOUNT CONDITION)



**EXTERIOR ELEVATION:
 SLIDING DOOR**
 SCALE: 3/4" = 1'-0"
 (FRAME SCREW MOUNT CONDITION)

- GENERAL NOTES:**
1. ALL FASTENERS SHALL BE IN ACCORDANCE WITH THESE DRAWINGS. SPECIFIED ANCHOR EMBED TO BASE MATERIAL SHALL BE BEYOND WALL FINISH OR STUCCO.
 2. OPENINGS, BUCKING & BUCKING FASTENERS MUST BE PROPERLY DESIGNED & INSTALLED TO TRANSFER WIND LOADS TO THE STRUCTURE.
 3. THESE NON-IMPACT RATED PRODUCT INSTALLATIONS ARE IN ACCORDANCE WITH AND MEET THE REQUIREMENTS OF THE 2018 INTERNATIONAL BUILDING CODE (IBC).
 4. ALL ANCHORS SECURING PRODUCT FRAME TO PRESSURE TREATED BUCKS OR WOOD FRAMING SHALL BE CAPABLE OF RESISTING CORROSION CAUSED BY THE PRESSURE TREATING CHEMICALS IN THE WOOD.
 5. TO THE BEST OF OUR KNOWLEDGE, THE PRODUCT SHOWN HEREIN IS CERTIFIED & QUALITY ASSURED BY A NATIONALLY ACCREDITED CERTIFICATION/QA ENTITY & SHALL BE LABELED IN ACCORDANCE WITH CERTIFICATION/QA ENTITIES SPECIFICATIONS. PRODUCT ASSEMBLY IS NOT PART OF THIS DRAWING AND SHALL BE IN ACCORDANCE WITH THE MANUFACTURER'S QUALITY ASSURANCE SPECIFICATIONS & TESTING REPORTS.
 6. CERTIFICATION OF THESE PRODUCT INSTALLATIONS SHALL BE CONSIDERED VOID IF ANY OF THE FOLLOWING APPLY: 1) THEY ARE INSTALLED WITHOUT A BUILDING PERMIT FROM THE APPLICABLE LOCAL BUILDING DEPARTMENT. 2) IF THEY ARE INSTALLED BY ANYONE OTHER THAN A LICENSED CONTRACTOR EXPERIENCED WITH WINDOW/DOOR INSTALLATIONS. 3) IF CHANGES HAVE OCCURRED TO THE PRODUCT'S CERTIFICATION ENTITY'S CERTIFICATE THAT CAUSE THESE INSTALLATIONS TO BE INCORRECT OR INCONSISTENT WITH WHAT HAS BEEN TESTED.
 7. THE LEAST DESIGN PRESSURE SPECIFIED EITHER IN THIS DRAWING OR IN THE PRODUCTS CERTIFICATION SHALL CONTROL FOR THE INSTALLED PRODUCT.
 8. THESE DRAWINGS CERTIFY THE PRODUCT INSTALLATION ONLY. WATER PROOFING OF THE INSTALLED PRODUCT IS NOT PART OF THIS INSTALLATION CERTIFICATION. THAT RESPONSIBILITY SHALL BE THAT OF THE MANUFACTURER &/OR INSTALLER.

ALLOWABLE PRESSURE TABLE
 (2-PANEL SLIDING DOORS)

MAX. FRAME HEIGHT	MAX. FRAME WIDTH	ALLOWABLE PRESSURE	
		POSITIVE	NEGATIVE
82"	72"	35 PSF	35 PSF
95 1/2"	95 1/2"	25 PSF	25 PSF

CONDITIONS SHOWN IN THESE DRAWINGS ARE GOVERNED BY INSTALLATION REQUIREMENTS ONLY. THE GOVERNING CONDITIONS ON ANY SPECIFIC PRODUCT SHALL BE THE LESSER OF THOSE SPECIFIED IN THE PRODUCTS TDI APPROVAL OR THAT SHOWN IN THESE DRAWINGS.

INSTALLATION EVALUATION IS BASED ON APPLICABLE ANCHOR STANDARDS AND/OR INFORMATION & RESULTS FROM APPLICABLE TEST REPORTS. THE BUILDING CODE VERSION CONSIDERED WITH THE EVALUATION WAS THAT IN FORCE AT THE TIME OF THE EVALUATION. IN THE EVENT OF CODE VERSION CHANGES/UPDATES OR IN THE EVENT THAT NEW OR ADDITIONAL TESTING IS COMPLETED ON THE REFERENCED PRODUCT, PRIOR TO STATING CODE COMPLIANCE, THE MANUFACTURER SHALL CONFIRM WITH THE INSTALLATION EVALUATION ENGINEER OF RECORD THAT THE INSTALLATIONS SPECIFIED HERE-IN ARE CURRENT WITH THE THEN CURRENT TESTING, CODE AND APPLICABLE STANDARDS.

THRESHOLD NOTE:
 WEEP HOLES SHALL BE PLACED IN THRESHOLDS AS REQUIRED BY APPLICABLE QUALITY ASSURANCE

ANCHOR/SUBSTRATE EVALUATION NOTE:
 ALL ANCHORS IN THEIR SPECIFIED SUBSTRATES HAVE BEEN ANALYZED IN ACCORDANCE WITH THEIR APPLICABLE STANDARD(S) AND ARE FOUND TO BE CAPABLE OF SUPPORTING ALL LOADS IMPOSED ON THEM UNDER THE GUIDELINES OF THIS DOCUMENT. ANY SUBSTRATES OR CONDITIONS OUTSIDE OF WHAT IS SHOWN HERE-IN SHALL BE SUBJECT TO JOB SPECIFIC ENGINEER'S REVIEW & CERTIFICATION.

INSTALLATION NOTE:
 WHEN NECESSARY, INSTALLATION METHODS MAY BE MIXED WITH ANY ONE WINDOW SUCH THAT INDIVIDUAL SIDES OF THE WINDOW MAY USE ONE OR THE OTHER ANCHOR METHOD (EXAMPLE: SILL MAY USE FRAME SCREWS METHOD WHILE OTHER SIDES USE FIN)

NO.	REVISION DESCRIPTION	BY	DATE
A1	UPDATE TO NEW TESTING	WWS	02/24/22

JOB INFORMATION:
 PELLA CORPORATION
 2000 PROLINE PLACE
 GETTYSBURG, PA 17325
 717-334-0099

DRAWING TITLE:
 150 SERIES OR ENCOMPASS OR AVANTI SLIDING PATIO DOORS

CONSULTANTS:
 W. W. SCHAEFER ENGINEERING & CONSULTING, P.A. (REG. NO. F-14980)
 7480 150TH COURT NORTH
 PALM BEACH GARDENS, FL 33418
 PHONE: 561-744-3424

CERTIFICATION:
 W. W. SCHAEFER, P.E.
 LICENSED PROFESSIONAL ENGINEER
 STATE OF FLORIDA
 LICENSE NO. 113497

DRAWING NO.: 1248T
REV.: A
SHEET NO.: 1 OF 4

NO.	REVISION DESCRIPTION	DATE	BY

DRAWING TITLE
150 SERIES OR ENCOMPASS OR AVANTI SLIDING PATIO DOORS

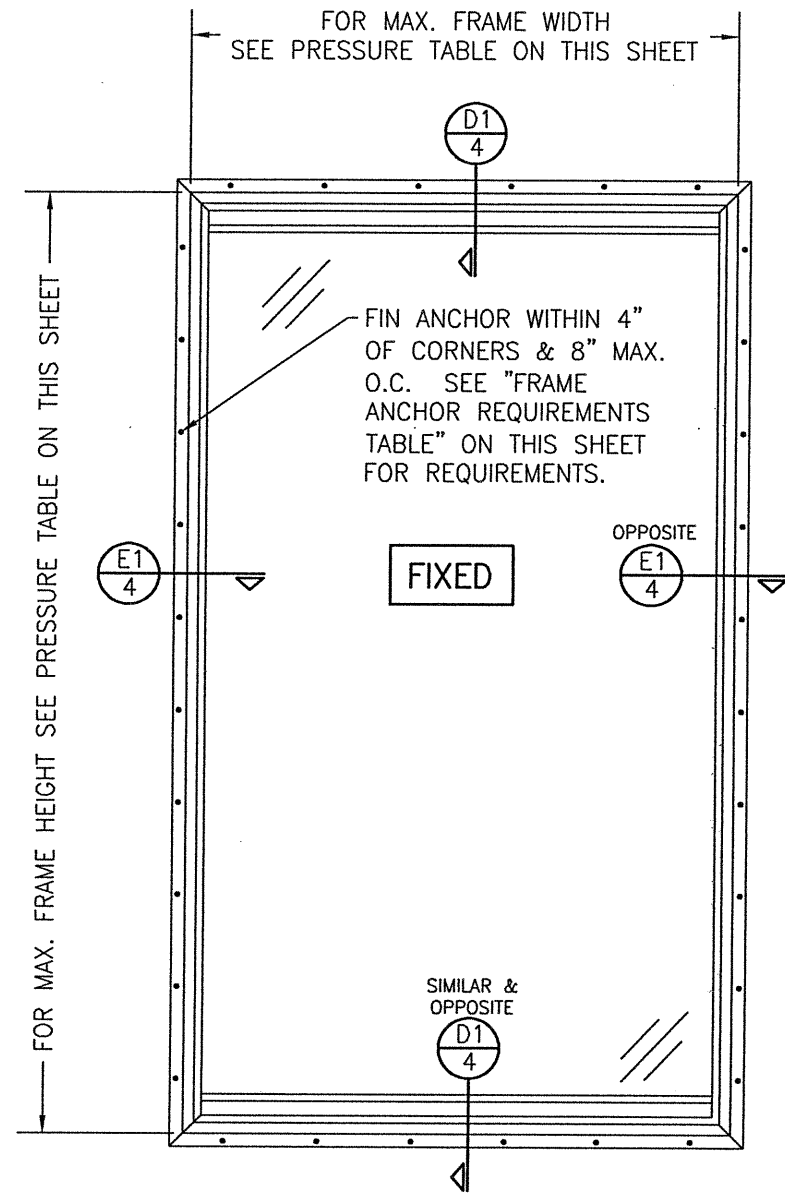
CONSULTANTS
W. W. SCHAEFER ENGINEERING & CONSULTING, P.A. (REG. NO. F-14980)

JOB INFORMATION:
**PELLA CORPORATION
2000 PROLINE PLACE
GETTYSBURG, PA 17325
717-334-0099**

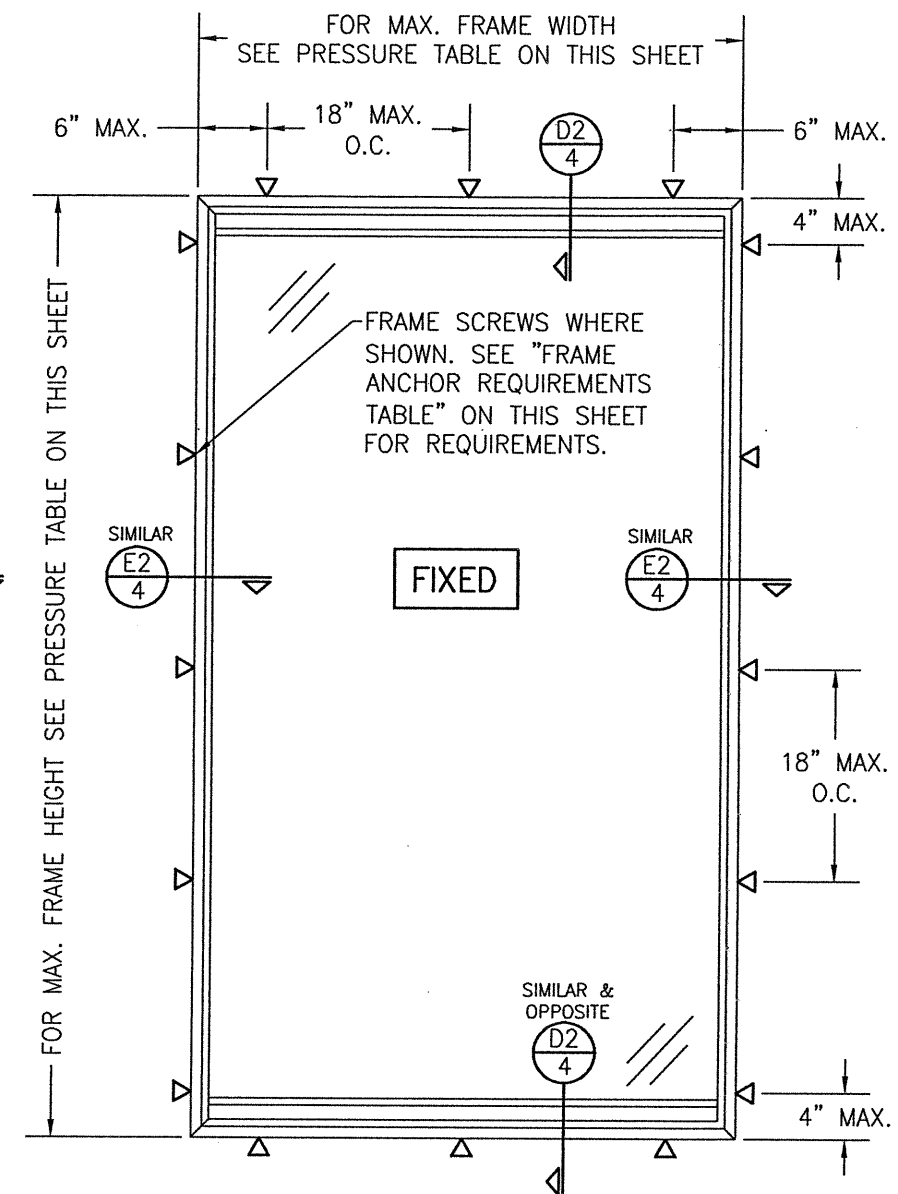
7480 150TH COURT NORTH
PALM BEACH GARDENS, FL 33418
PHONE: 561-744-3424

CERTIFICATION
FEB 24 2022

WARREN W. SCHAEFER, P.E.
P.E. NO. 113497



**EXTERIOR ELEVATION:
SINGLE FIXED PANEL**
SCALE: 3/4" = 1'-0"
(NAIL FIN MOUNT CONDITION)



**EXTERIOR ELEVATION:
SINGLE FIXED PANEL**
SCALE: 3/4" = 1'-0"
(FRAME SCREW MOUNT CONDITION)

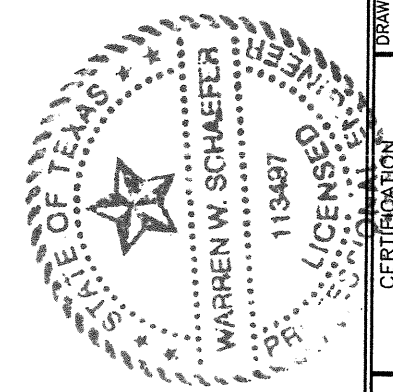
FRAME ANCHOR REQUIREMENTS TABLE

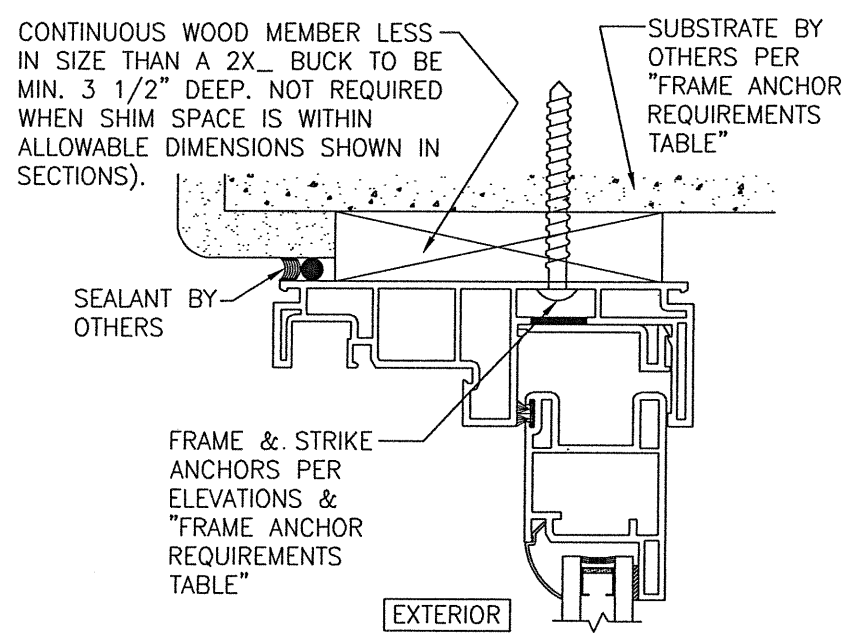
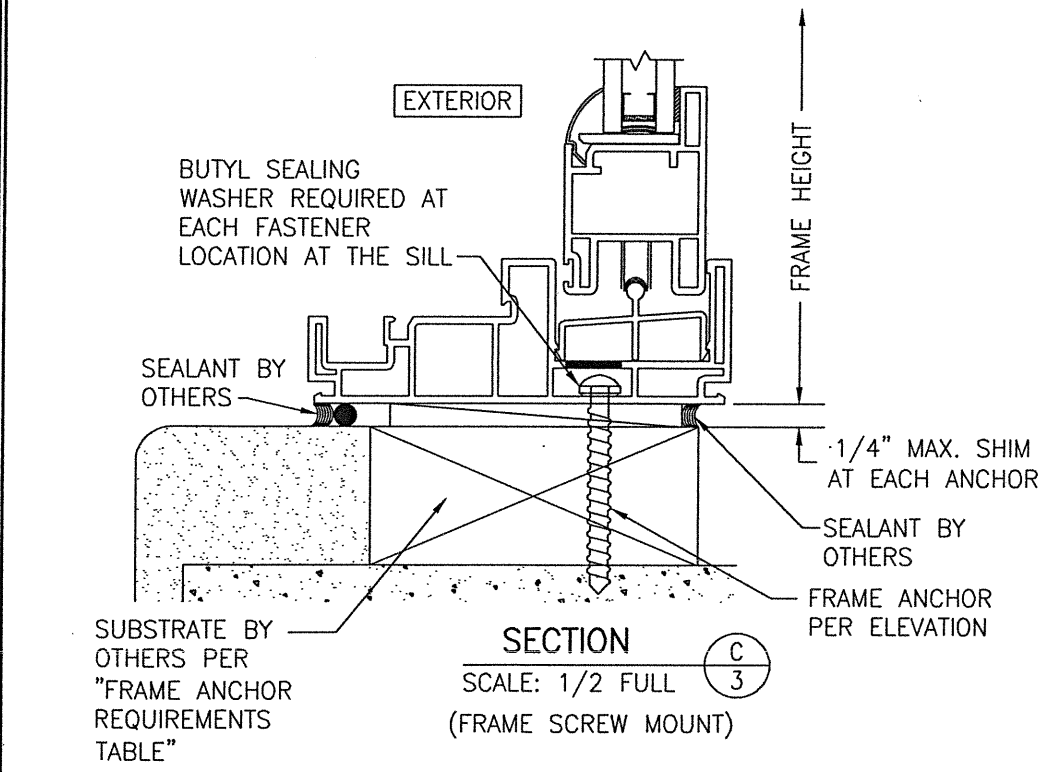
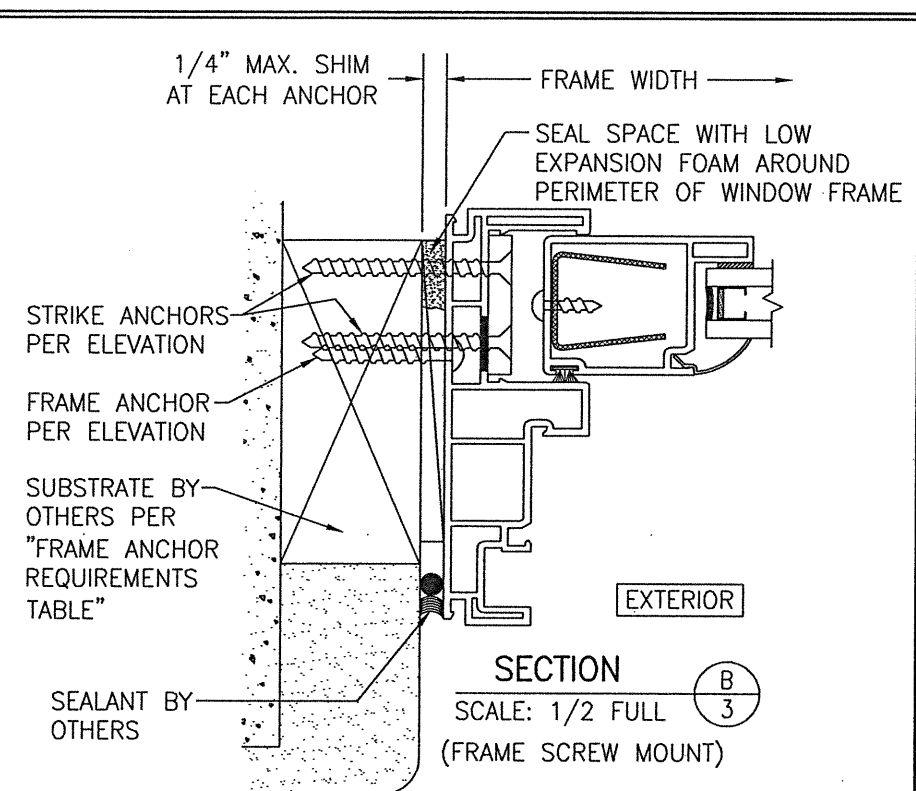
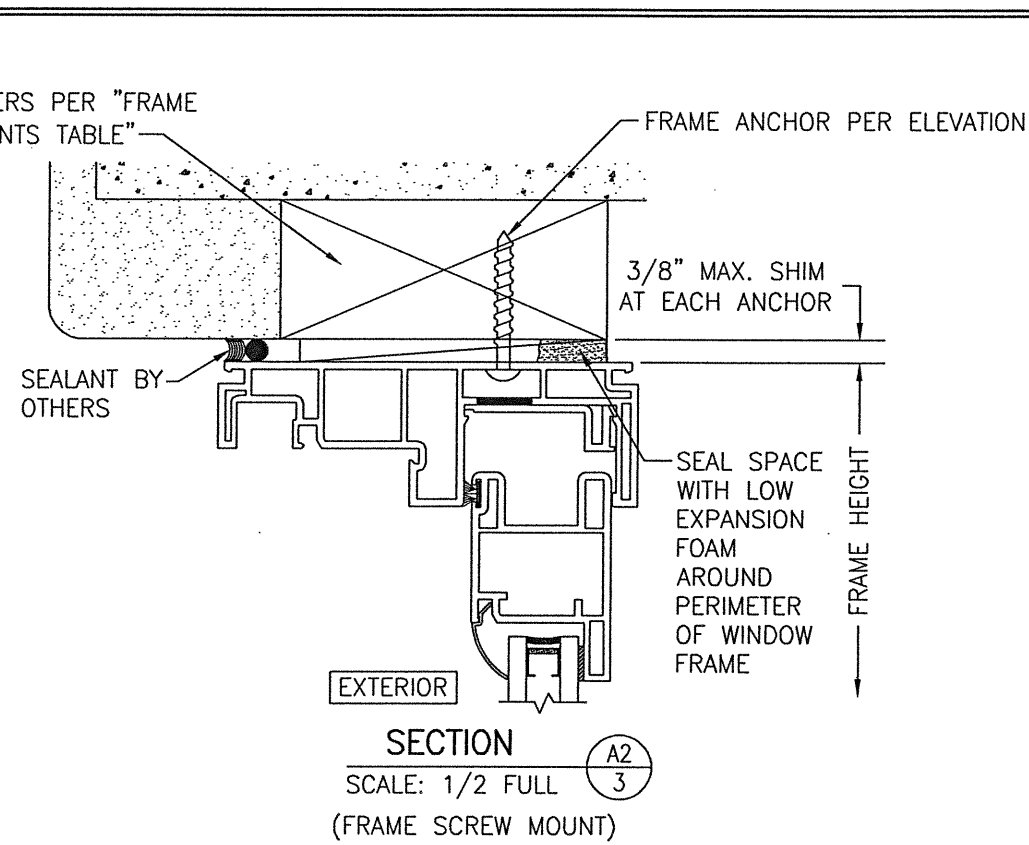
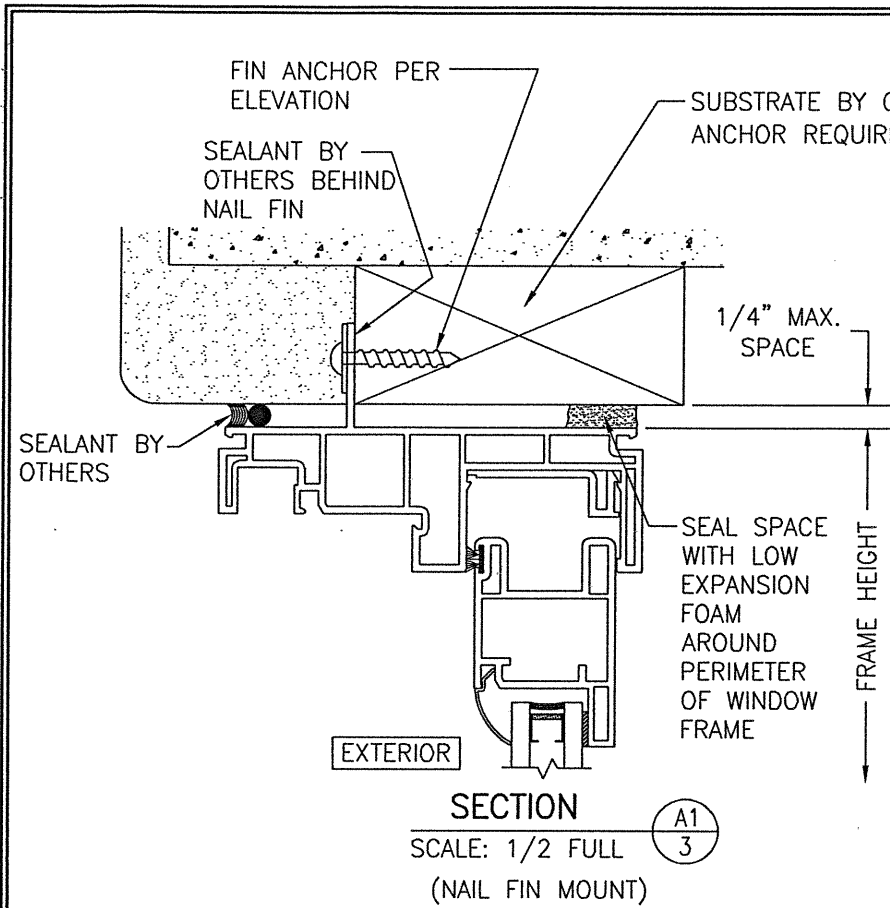
OPENING TYPE (SUBSTRATE)	FRAME/NAIL FIN/STRIKE TO OPENING FASTENER TYPE	MINIMUM EMBED	MINIMUM EDGE DIST.
(3) FRAME SCREWS			
MIN. 2X4 WOOD FRAME OR BUCK (MIN. GR. 3 & G=0.55)	NO. 10 SMS OR WOOD SCREW	1 1/4"	3/4"
MIN. 18 GA. 33 KSI METAL STUD	NO. 10 GR. 5 SELF TAP/DRILL SCREW	FULL	1/2"
MIN. 1/8" THK A36 STEEL	NO. 10 GR. 5 SELF TAP/DRILL SCREW	FULL	1/2"
MIN. 1/8" THK 6063-T5 ALUM.	NO. 10 GR. 5 SELF TAP/DRILL SCREW	FULL	1/2"
C-90 CMU/2500 PSI CONCRETE	(1) 1/4" CONCRETE SCREW	1 1/4"	2"
(2) NAILING FIN FASTENERS			
MIN. 2X4 WOOD FRAME OR BUCK (MIN. GR. 3 & G=0.55)	11 GA. ROOFING NAIL	1 7/8"	1/2"
MIN. 2X4 WOOD FRAME OR BUCK (MIN. GR. 3 & G=0.55)	NO. 8 X 1 1/2" SMS	1 3/8"	1/2"
MIN. 1/8" THK A36 STEEL	NO. 8 GR. 5 SELF TAP/DRILL SCREW	FULL	1/2"
MIN. 1/8" THK 6063-T5 ALUM.	NO. 8 GR. 5 SELF TAP/DRILL SCREW	FULL	1/2"
STRIKE SCREWS			
MIN. 2X4 WOOD FRAME OR BUCK (MIN. GR. 3 & G=0.55)	NO. 8 SMS OR WOOD SCREW	1 1/4"	1/2"
MIN. 18 GA. 33 KSI METAL STUD	NO. 8 GR. 5 SELF TAP/DRILL SCREW	FULL	1/2"
MIN. 1/8" THK A36 STEEL	NO. 8 GR. 5 SELF TAP/DRILL SCREW	FULL	1/2"
MIN. 1/8" THK 6063-T5 ALUM.	NO. 8 GR. 5 SELF TAP/DRILL SCREW	FULL	1/2"
C-90 CMU/2500 PSI CONCRETE	(1) 3/16" CONCRETE SCREW	1 1/4"	2"

(1) CONCRETE SCREWS SHALL BE ELCO ULTRACONS (C.S.), ELCO CRETE-FLEX (S.S.), ITW RAMSET/RED HEAD TAPCONS (C.S. OR S.S.) OR HILTI KWIK-CON II (C.S OR S.S.).
 (2) WHEN SCREWS ARE USED WITH THE NAIL FIN, THEY MUST BE A WAFFLE HEAD SCREW OR HAVE A FLAT WASHER AT THE SCREW HEAD.
 (3) FRAME SHEAR SCREWS MUST BE PAN HEAD SCREWS.

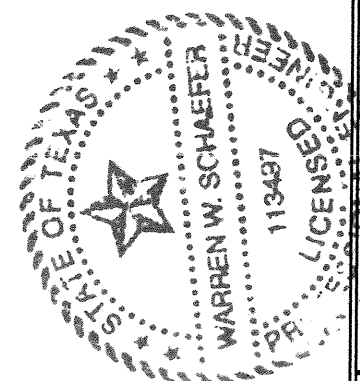
ALLOWABLE PRESSURE TABLE
(FIXED PANEL DOORS)

MAX. FRAME HEIGHT	MAX. FRAME WIDTH	ALLOWABLE PRESSURE	
		POSITIVE	NEGATIVE
81 1/2"	35 1/2"	40 PSF	40 PSF
95 1/2"	47 1/2"	25 PSF	25 PSF

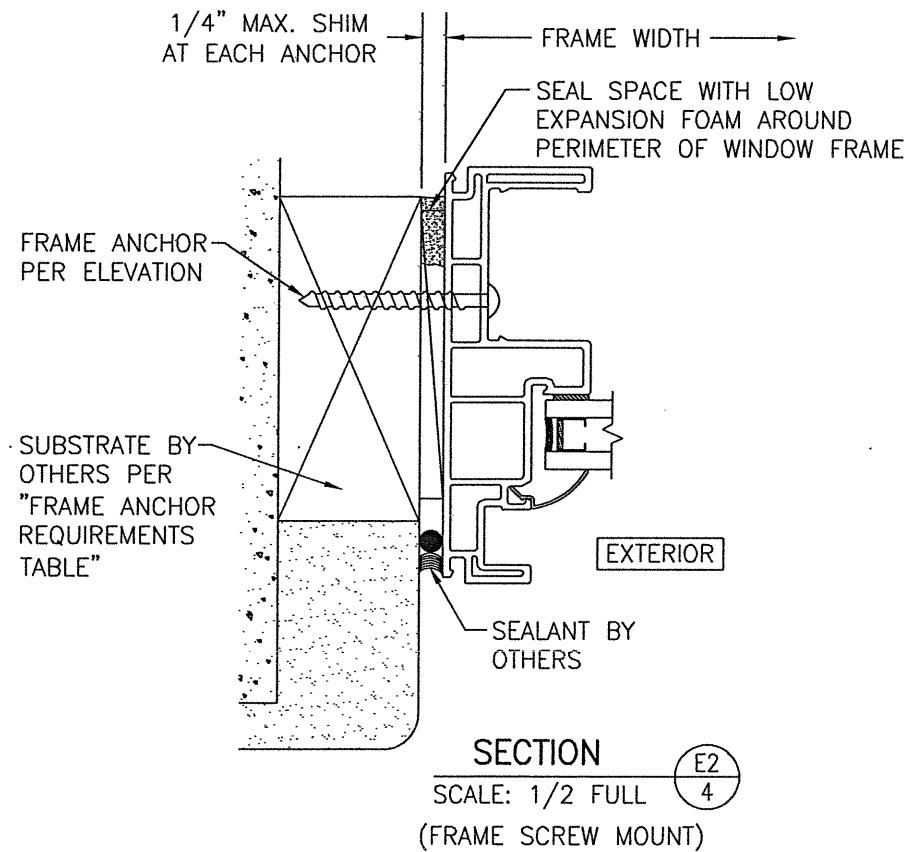
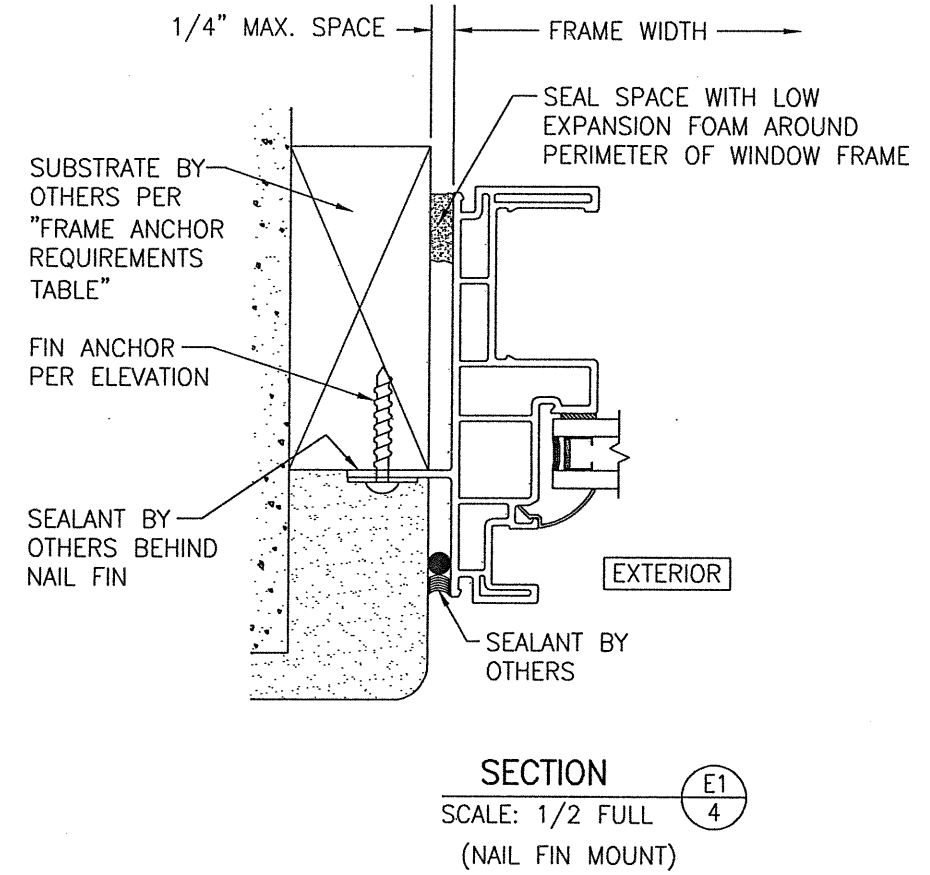
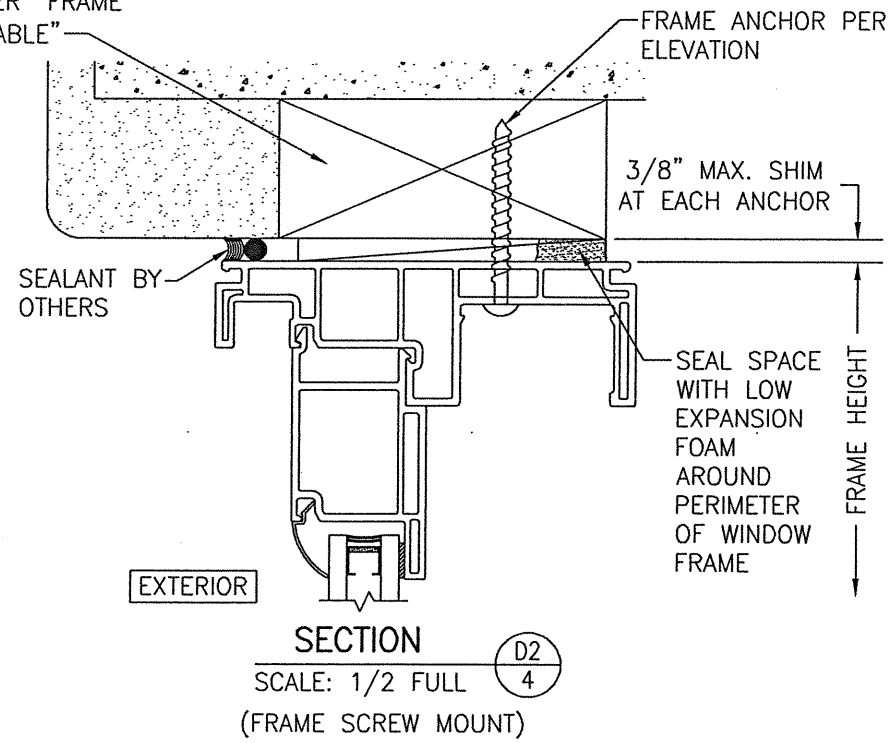
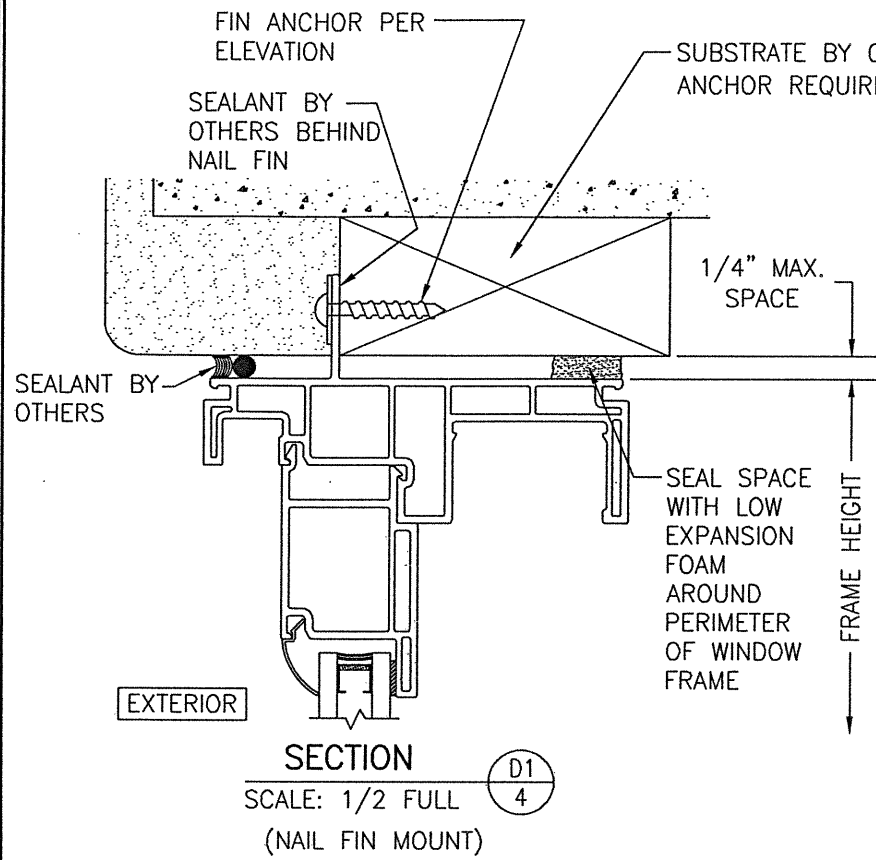




OPTIONAL DIRECT MOUNT DETAIL TO SUBSTRATE WITH SPACER
 (HEAD SECTION SHOWN, SILL & SIDES ARE INSTALLED THE SAME)
 (FOR DETAIL NOT SHOWN, SEE OTHER SECTIONS)
 (SLIDING DOOR SHOWN, FIXED PANEL DOOR IS INSTALLED THE SAME)



DRAWN BY: W.W.S.		CHECKED BY: W.W.S.	
PLOT: 1=2		DATE: 03/04/20	
NO.	REVISION DESCRIPTION	DATE	BY
DRAWING TITLE: 150 SERIES OR ENCOMPASS OR AVANTI SLIDING PATIO DOORS			
JOB INFORMATION: PELLA CORPORATION 2000 PROLINE PLACE GETTYSBURG, PA 17325 717-334-0099			
CONSULTANTS: W. W. SCHAEFER ENGINEERING & CONSULTING, P.A. (REG. NO. F-14980) 7480 150TH COURT NORTH PALM BEACH GARDENS, FL 33418 PHONE: 561-744-3424			
CERTIFICATION: FEB 24 2022		WARREN W. SCHAEFER, P.E. P.E. NO. 113497	
DRAWING NO. 1248T		REV. A	
SHEET NO. 3 OF 4			



DRAWN BY: W.W.S.		CHECKED BY: W.W.S.	
PLOT: 1=2		DATE: 03/04/20	
NO.	REVISION DESCRIPTION	DATE	BY
DRAWING TITLE: 150 SERIES OR ENCOMPASS OR AVANTI SLIDING PATIO DOORS			
JOB INFORMATION: PELLA CORPORATION 2000 PROLINE PLACE GETTYSBURG, PA 17325 717-334-0099			
CONSULTANTS: W. W. SCHAEFER ENGINEERING & CONSULTING, P.A. (REG. NO. F-14980) 7480 150TH COURT NORTH PALM BEACH GARDENS, FL 33418 PHONE: 561-744-3424			
CERTIFICATION: WARREN W. SCHAEFER P.E. NO. 113497		FEB 24 2022	
DRAWING NO. 1248T		REV. A	
SHEET NO. 4 OF 4			

