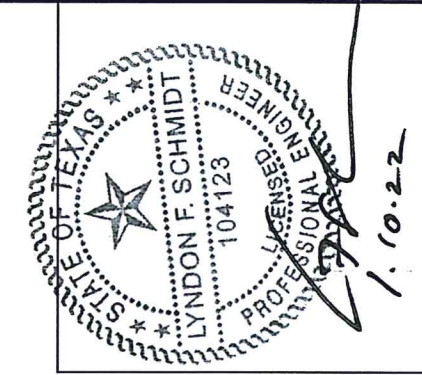


STEVE'S AND SONS

203 Humble Ave.
San Antonio, TX 78225

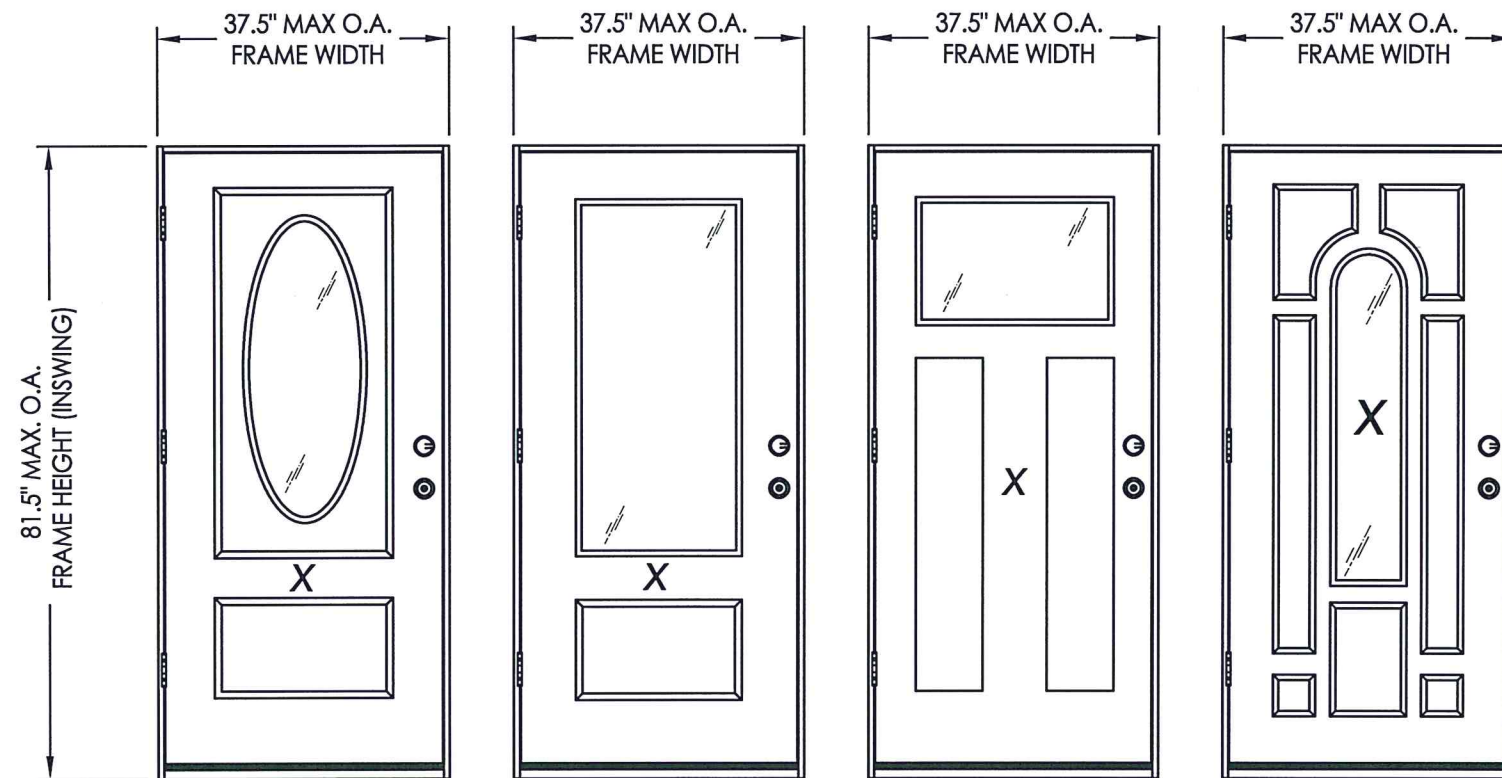


Documents Prepared By: Lyndon F. Schmidt, P.E.
TEXAS P.E. #104123

RW BUILDING CONSULTANTS, INC.
P.O. Box 230 Vairico FL 33595
Phone No.: 813.659.9197

TEXAS BOARD OF PROFESSIONAL ENGINEERS
CERTIFICATE OF REGISTRATION # F-11852

"REGENCY" GLAZED FIBERGLASS SINGLE DOOR IN SWING "NON-IMPACT"



SERIES 5160
3/4 OVAL LITE

SERIES 5130
3/4 LITE

SERIES 5110
1/4 TOP LITE

SERIES 5170
ARCH LITE

CONFIGURATION	GLAZING TYPE	MAX. DAY LITE OPENING	DESIGN PRESSURE (PSF) INSWING	
			POSITIVE	NEGATIVE
X	3/4 OVAL LITE	14.5" X 38.5"	+65.0	-65.0
X	3/4 LITE	21.0" X 42.375"	+60.0	-60.0
X	1/4 TOP LITE	25.75" X 15.125"	+55.0	-55.0
X	ARCH LITE	8.375" X 42.375"	+45.0	-45.0

EVALUATED FOR USE IN THE STATE OF TEXAS

The Fiberglass Door system described herein complies with the 2018 International Residential Code (IRC), Sections R301 & R609 and the 2018 International Building Code (IBC), Sections 1404.13, 1609, 1709.5, 2403 and 2404 subject to the following conditions:

1. Anchors shall be as listed and spaced as shown in the details. Anchor embedment to base material shall be beyond wall dressing or stucco.
2. When used in areas requiring wind-borne debris protection this product is required to be protected with an impact resistant covering that complies with Section R301.2.1.2 of the IRC and Section 1609.1.2 of the IBC.
3. Allowable design pressure requirements must be equal to or less than the design pressure rating shown in the design pressure chart, sheet 1 of this drawing.
4. Conditions not covered by this drawing are subject to further engineering analysis.

TABLE OF CONTENTS	
SHEET #	DESCRIPTION
1	Typical Elevations, Design Pressures & General Notes
2	Door Panel Details - Oval Lite
3	Door Panel Details - 3/4 Lite
4	Door Panel Details - 1/4 Top Lite
5	Door Panel Details - Arch Lite
6	Horizontal & Vertical Cross Sections
7	Frame Anchoring
8	Bill of Materials & Components

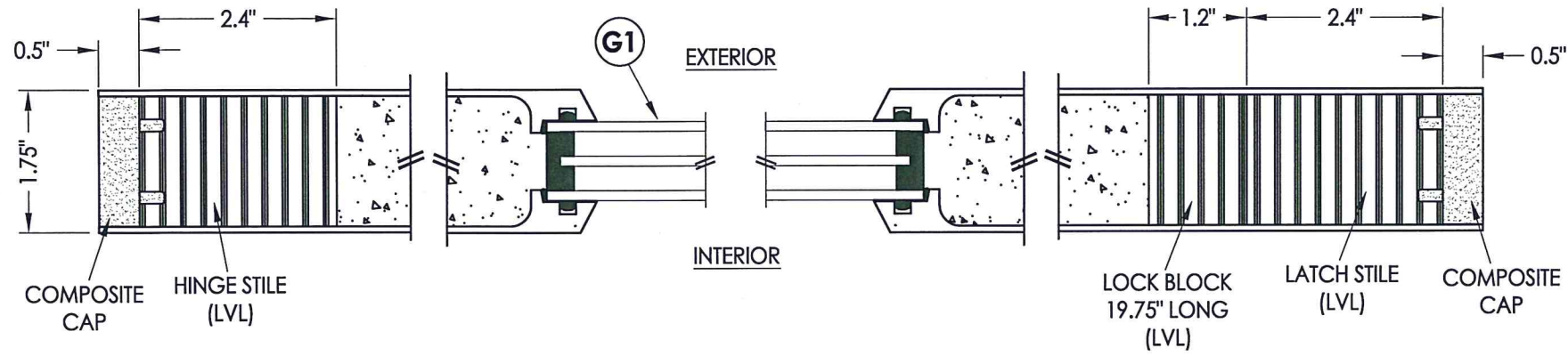
PRODUCT: STEVE'S & SONS FIBERGLASS DOOR

PART OR ASSEMBLY: TYPICAL ELEVATION, DESIGN PRESSURES & GENERAL NOTES

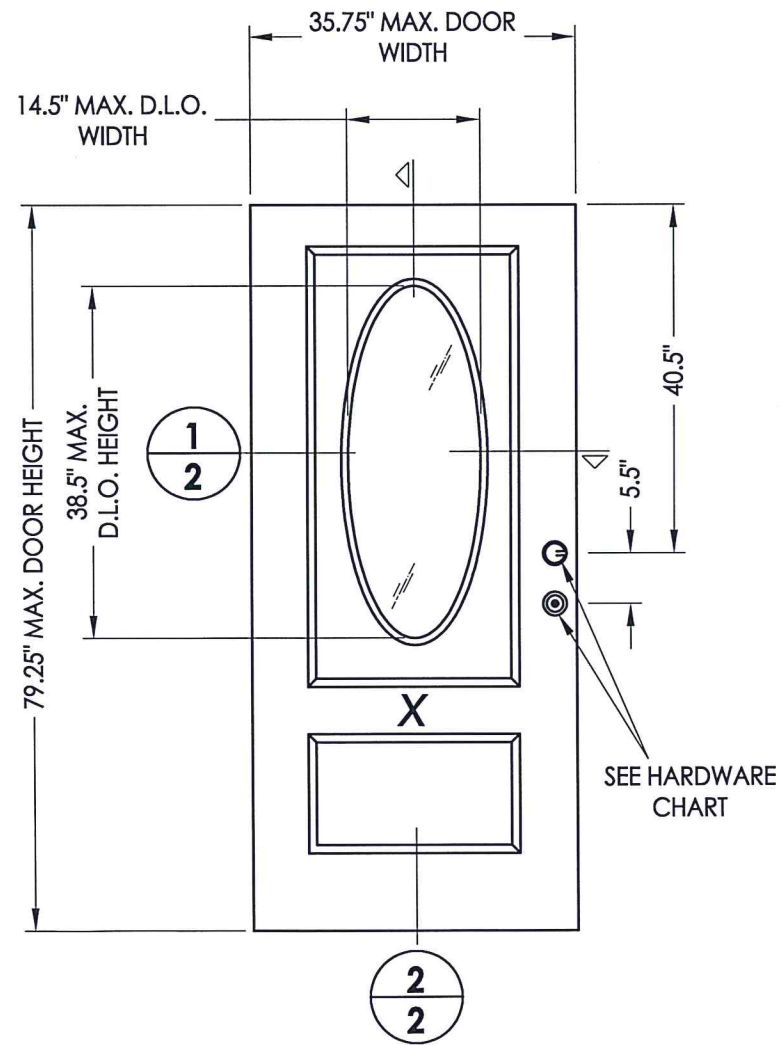
NO.	DATE	BY	REVISIONS

DATE: 10/12/21
SCALE: N.T.S.
DWG. BY: RW
CHK. BY: LFS
DRAWING NO.: TX-5251
SHEET 1 OF 8

Z:\Clients\Steves and Sons - Permanent\B - Texas Dept of Ins\Hinged Doors-Fiberglass\TDI - DR-XXX (Sub ID....) X REGENCY\C - Drawings\TX-5251.dwg

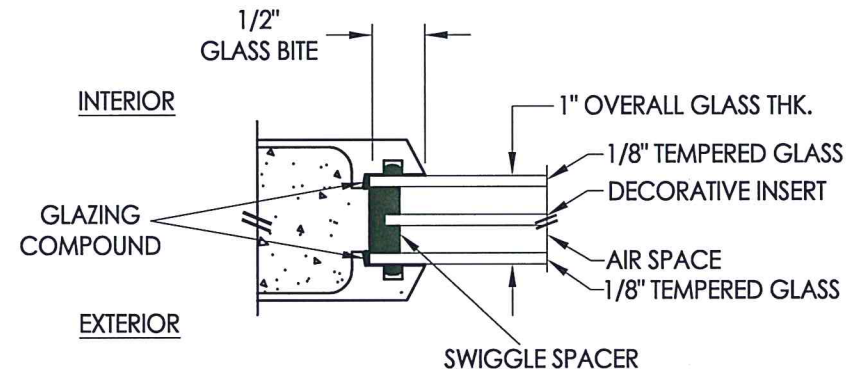


1
2 HORIZONTAL CROSS SECTION



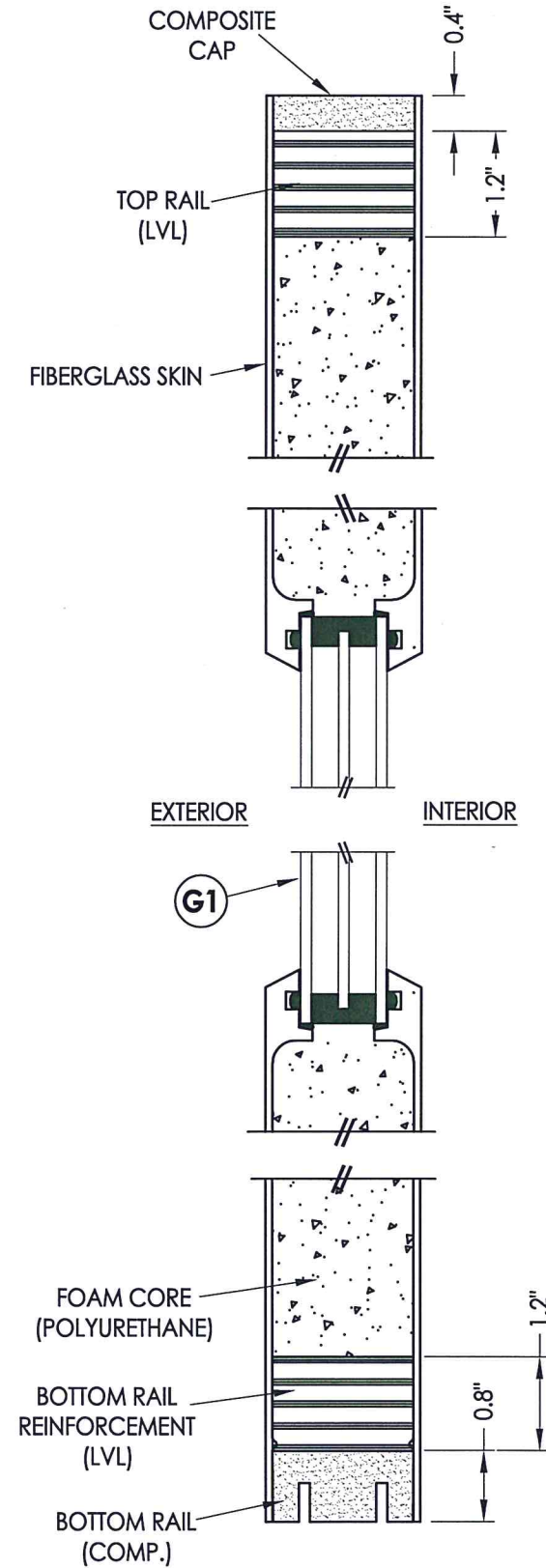
40 FIBERGLASS DOOR PANEL
3/4 OVAL LITE

FIBERGLASS DOOR SKIN: MIN. 0.075 THK.

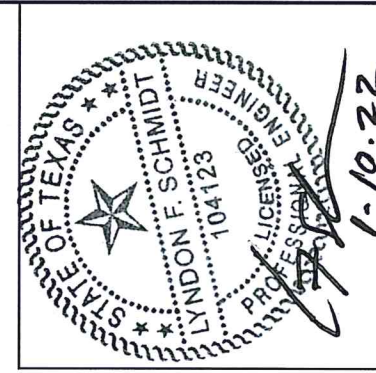


G1 GLAZING DETAIL

HARDWARE TABLE	
MANUFACTURER	MODEL
KWIKSET	KNOB: SIGNATURE SERIES
	DEADBOLT: SIGNATURE SERIES (980)



2
2 VERTICAL CROSS SECTION



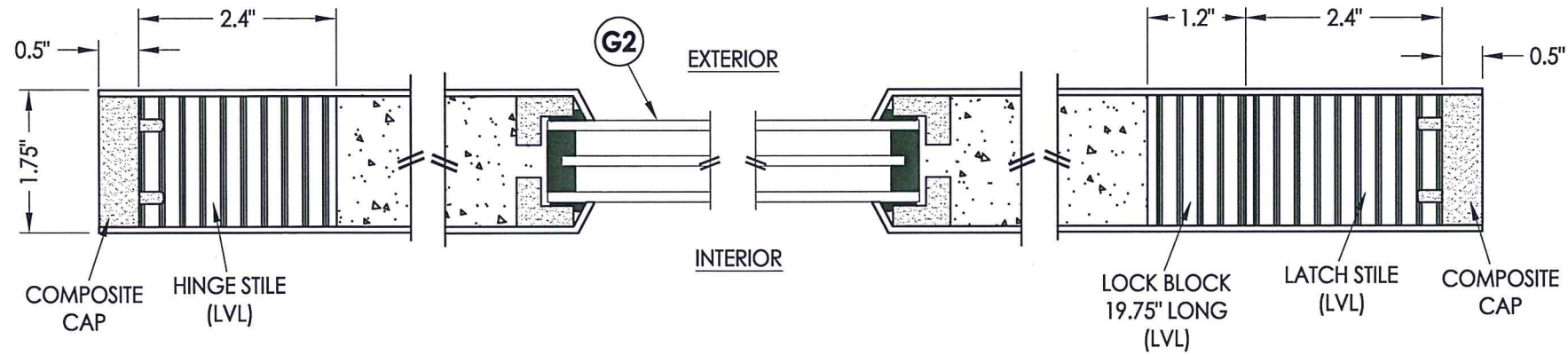
Documents Prepared By: Lyndon F. Schmidt, P.E.
TEXAS P.E. #104123

RW BUILDING CONSULTANTS, INC.
P.O. Box 230 Valrico FL 33595
Phone No.: 813.659.9197
TEXAS BOARD OF PROFESSIONAL ENGINEERS
CERTIFICATE OF REGISTRATION # F-11852

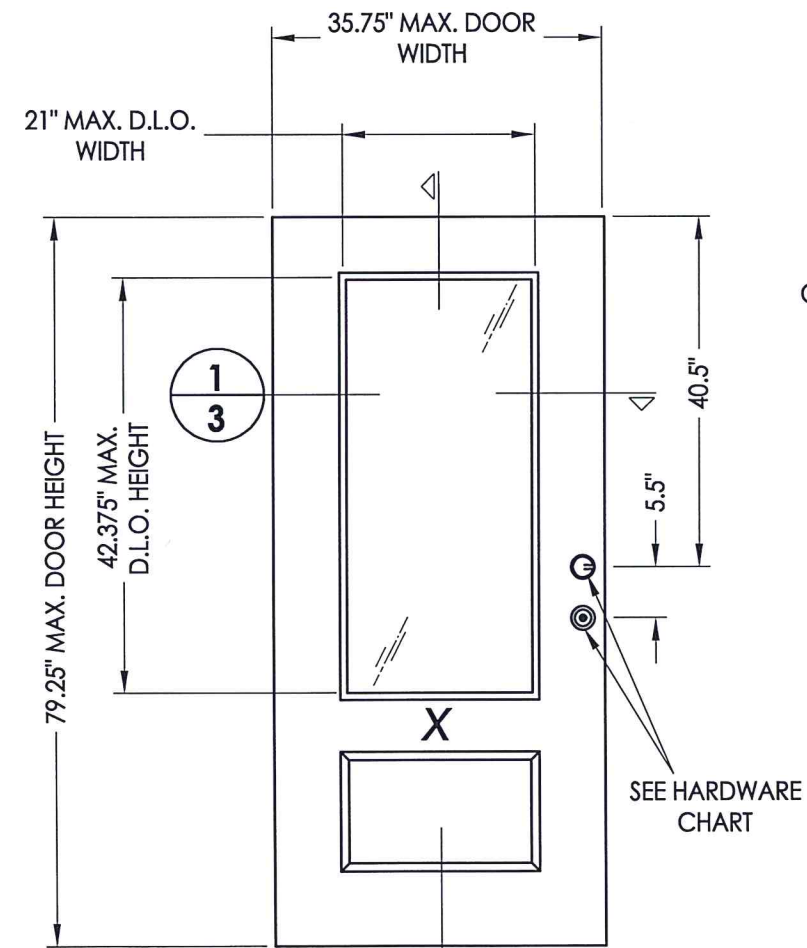
PRODUCT: STEVES & SONS
FIBERGLASS DOOR
PART OR ASSEMBLY:
DOOR PANEL DETAILS
3/4 OVAL LITE

NO.	DATE	BY	REVISIONS

DATE: 10/12/21
SCALE: N.T.S.
DWG. BY: RW
CHK. BY: LFS
DRAWING NO.: TX-5251
SHEET 2 OF 8

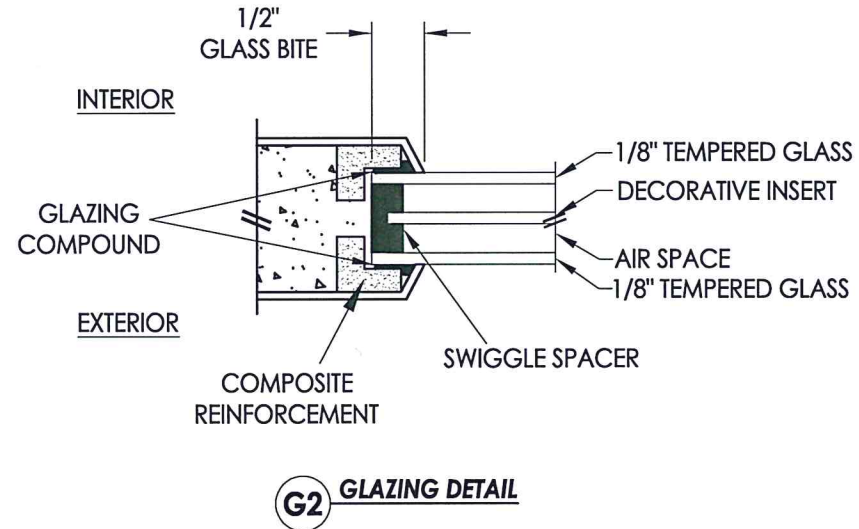


1
3 HORIZONTAL CROSS SECTION



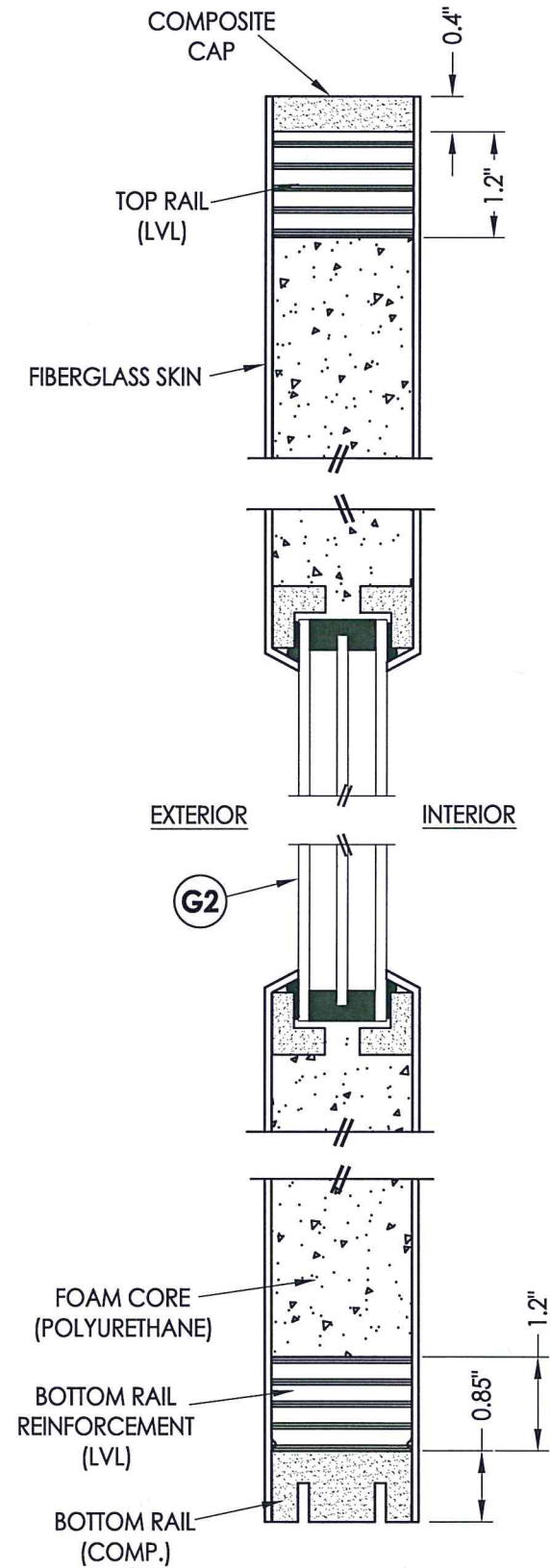
41 FIBERGLASS DOOR PANEL
3/4 LITE

FIBERGLASS DOOR SKIN: MIN. 0.084\"/>



G2 GLAZING DETAIL

HARDWARE TABLE	
MANUFACTURER	MODEL
KWIKSET	KNOB: SIGNATURE SERIES DEADBOLT: SIGNATURE SERIES (980)



2
3 VERTICAL CROSS SECTION



Documents Prepared By: Lyndon F. Schmidt, P.E.
TEXAS P.E. #104123

RW BUILDING CONSULTANTS, INC.
P.O. Box 230 Valrico FL 33595
Phone No.: 813.659.9197

TEXAS BOARD OF PROFESSIONAL ENGINEERS
CERTIFICATE OF REGISTRATION # F-11852

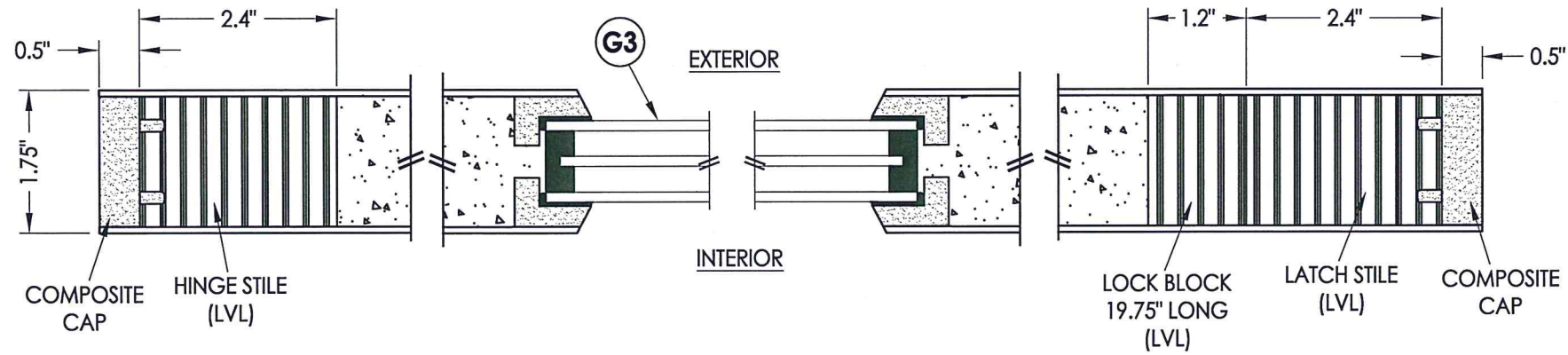
PRODUCT: STEVES & SONS
FIBERGLASS DOOR

PART OR ASSEMBLY: DOOR PANEL DETAILS
3/4 LITE

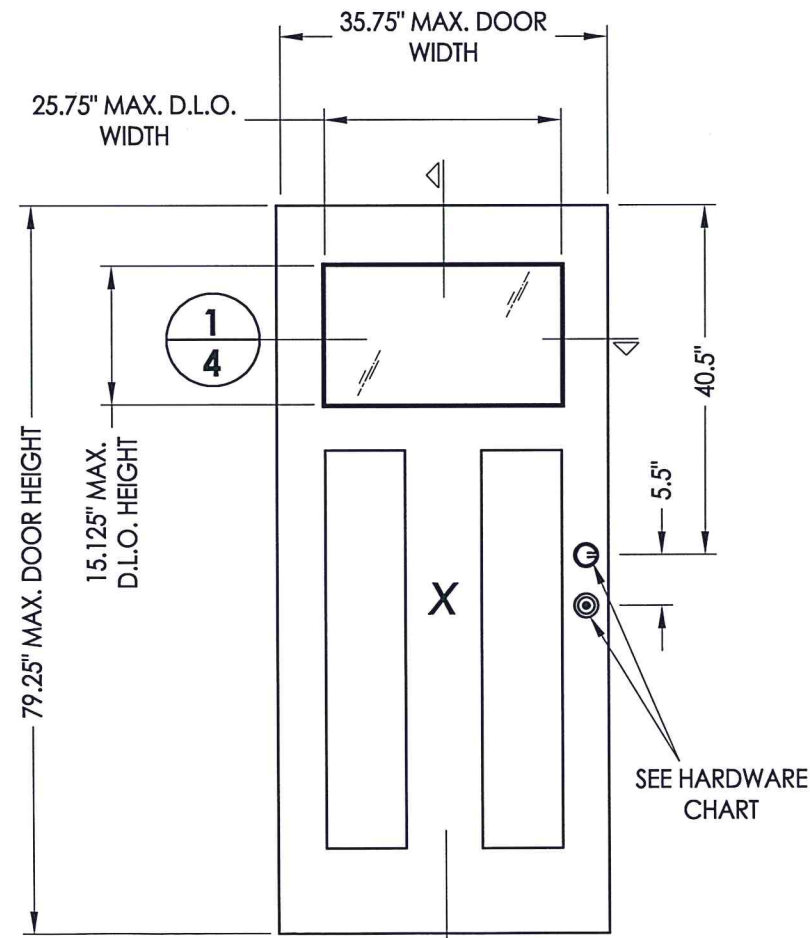
NO.	DATE	BY	REVISIONS

DATE: 10/12/21
SCALE: N.T.S.
DWG. BY: RW
CHK. BY: LFS
DRAWING NO.: TX-5251
SHEET 3 OF 8

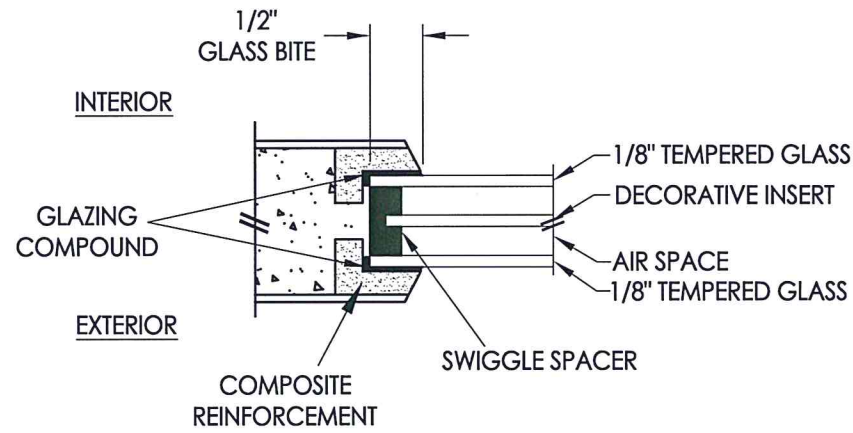
Z:\Clients\Steves and Sons - Permanent\B - Texas Dept of Ins\Hinged Doors-Fiberglass\TDI - DR-XXX (Sub ID....) X REGENCV\C - Drawings\TX-5251.dwg



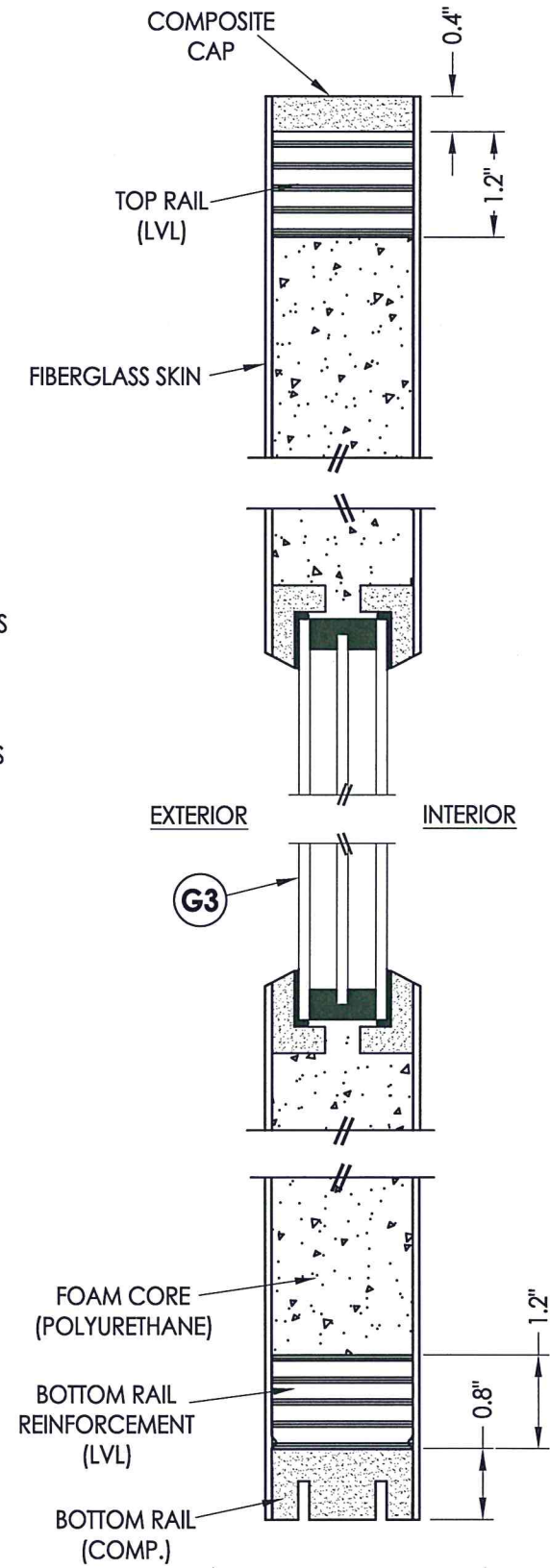
1
4 HORIZONTAL CROSS SECTION



42 FIBERGLASS DOOR PANEL
1/4 TOP LITE

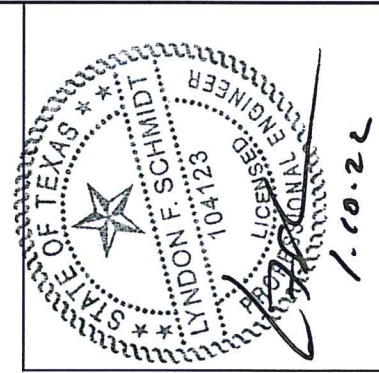


G3 GLAZING DETAIL



2
4 VERTICAL CROSS SECTION

HARDWARE TABLE	
MANUFACTURER	MODEL
KWIKSET	KNOB: SIGNATURE SERIES DEADBOLT: SIGNATURE SERIES (980)



Documents Prepared By: Lyndon F. Schmidt, P.E.
TEXAS P.E. #104723

RW BUILDING CONSULTANTS, INC.
P.O. Box 230 Valrico FL 33595
Phone No.: 813.659.9197

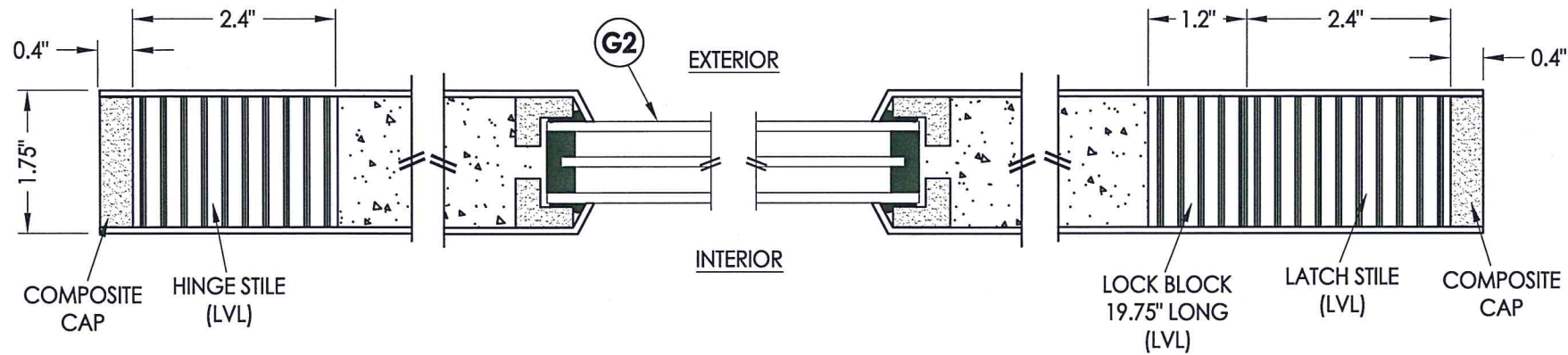
TEXAS BOARD OF PROFESSIONAL ENGINEERS
CERTIFICATE OF REGISTRATION # F-11852

PRODUCT: STEVES & SONS FIBERGLASS DOOR
PART OR ASSEMBLY: DOOR PANEL DETAILS 1/4 TOP LITE

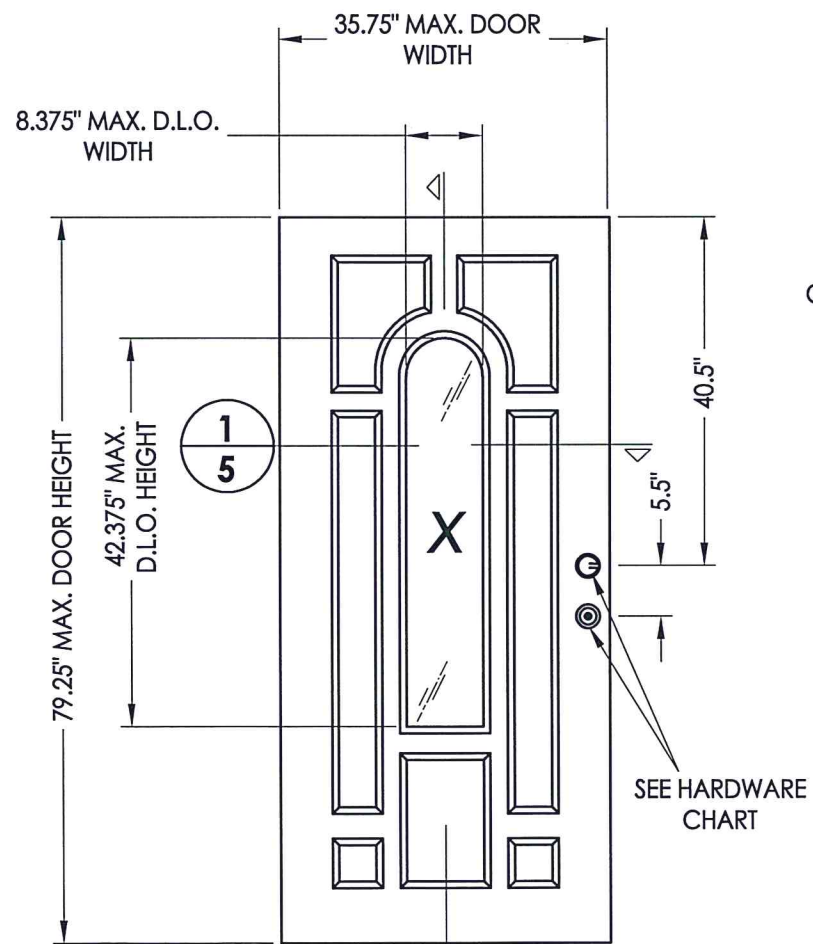
NO.	DATE	BY	REVISIONS

DATE: 10/12/21
SCALE: N.T.S.
DWG. BY: RW
CHK. BY: LFS
DRAWING NO.: TX-5251
SHEET 4 OF 8

Z:\Clients\Steves and Sons - Permanent\B - Texas Dept of Ins\Hinged Doors-Fiberglass\TDI - DR-XXX (Sub ID....) X REGENCY\C - Drawings\TX-5251.dwg

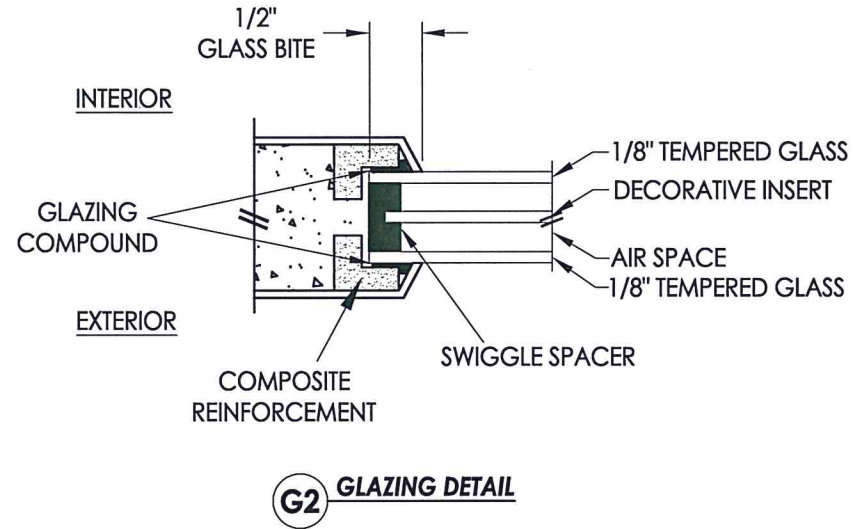


1
5 **HORIZONTAL CROSS SECTION**



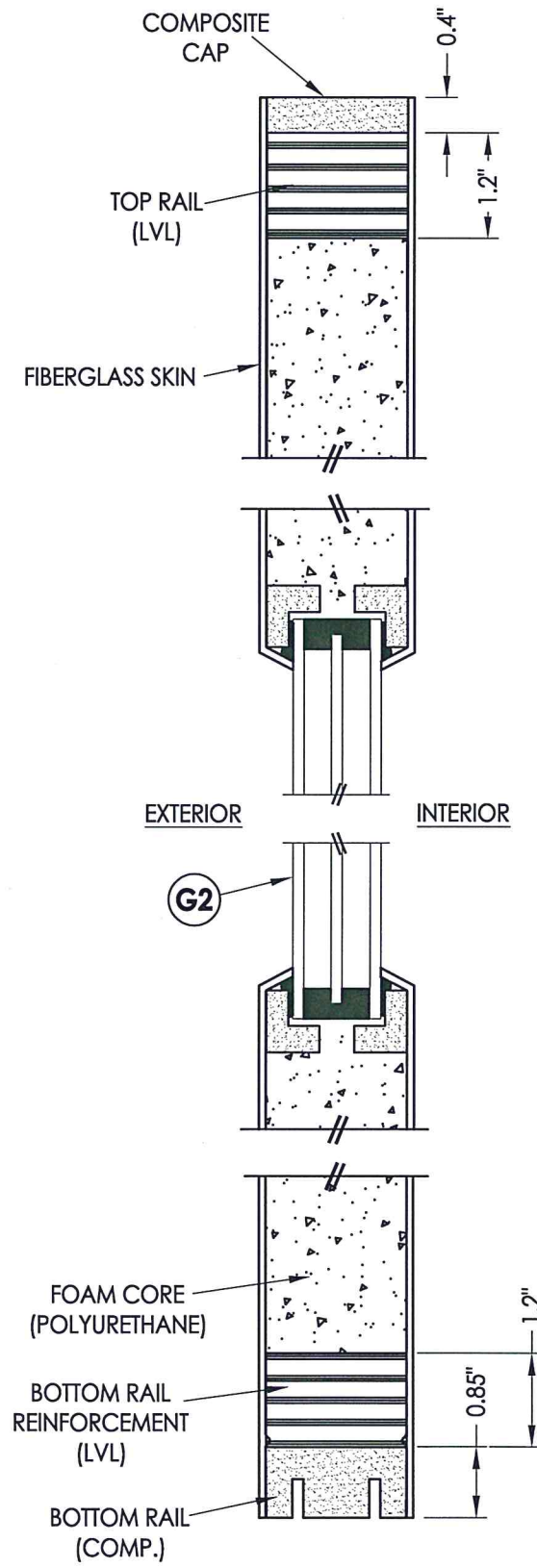
43 **FIBERGLASS DOOR PANEL**
ARCH LITE

FIBERGLASS DOOR SKIN: MIN. 0.084\"/>

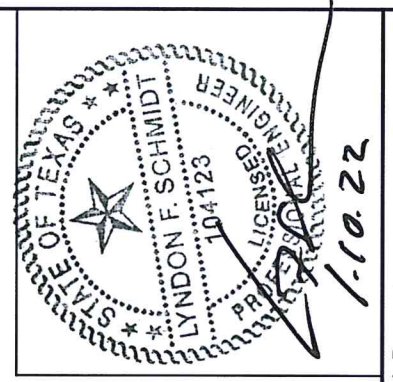


G2 **GLAZING DETAIL**

HARDWARE TABLE	
MANUFACTURER	MODEL
KWIKSET	KNOB: SIGNATURE SERIES DEADBOLT: SIGNATURE SERIES (980)



2
5 **VERTICAL CROSS SECTION**



Documents Prepared By: Lyndon F. Schmidt, P.E.
TEXAS P.E. #104123

RW BUILDING CONSULTANTS, INC.
P.O. Box 230 Valrico FL 33595
Phone No.: 813.659.9197

TEXAS BOARD OF PROFESSIONAL ENGINEERS
CERTIFICATE OF REGISTRATION # F-11852

PRODUCT: STEVES & SONS
FIBERGLASS DOOR

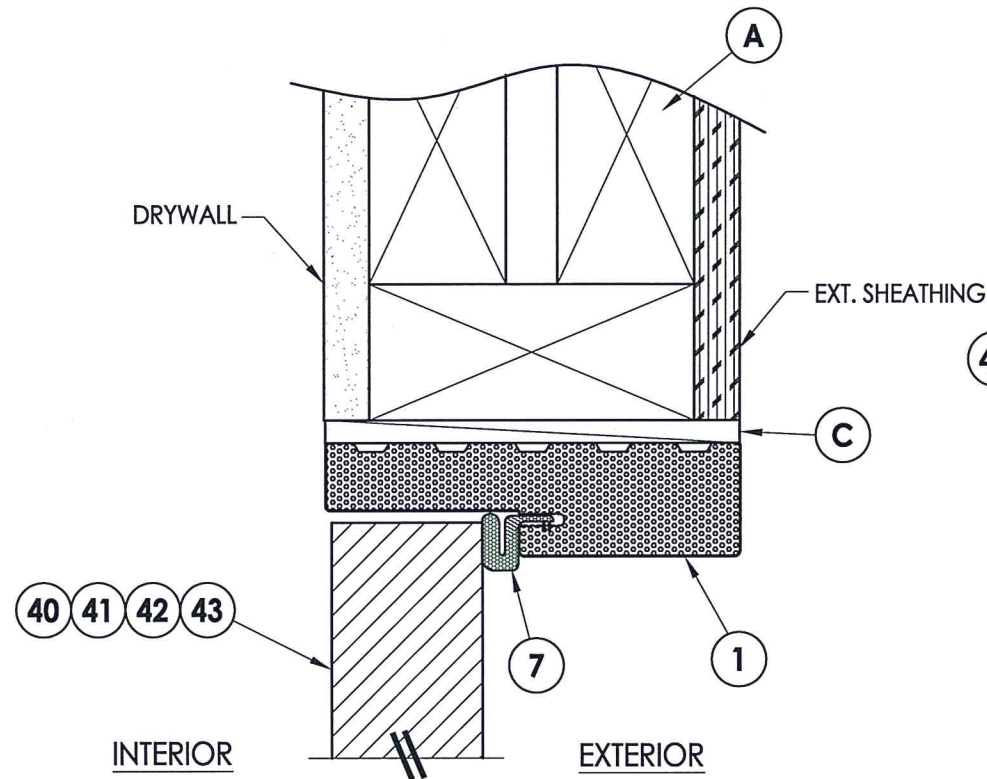
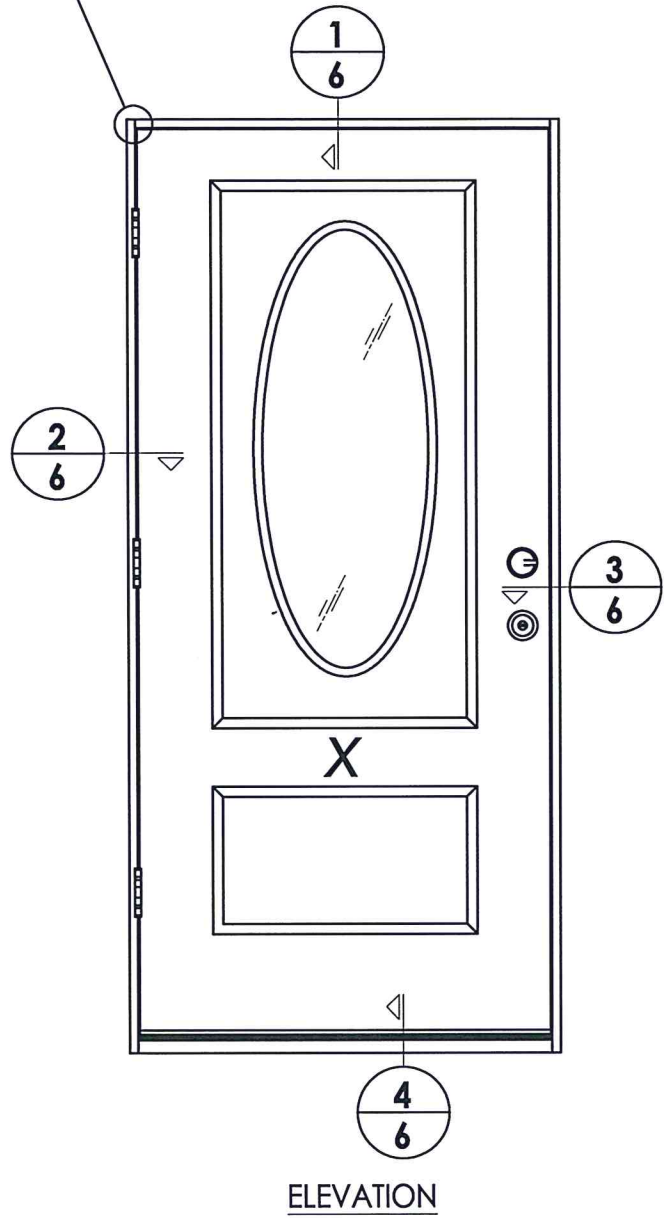
PART OR ASSEMBLY: DOOR PANEL DETAILS
ARCH LITE

NO.	DATE	BY	REVISIONS

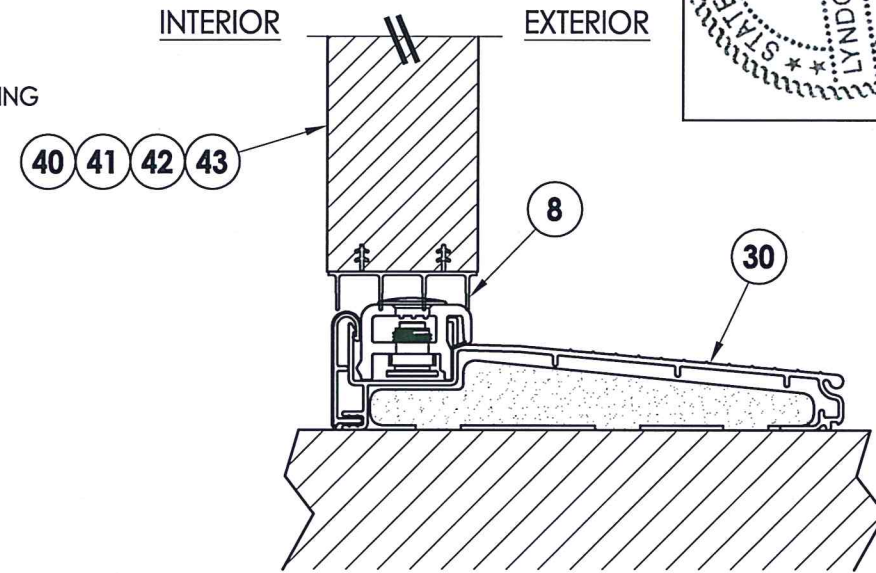
DATE: 10/12/21
SCALE: N.T.S.
DWG. BY: RW
CHK. BY: LFS
DRAWING NO.: TX-5251
SHEET 5 OF 8

Z:\Clients\Steves and Sons - Permanent\B - Texas Dept of Ins\Hinged Doors-Fiberglass\TDI - DR-XXX (Sub ID....) X REGENCY\C - Drawings\TX-5251.dwg

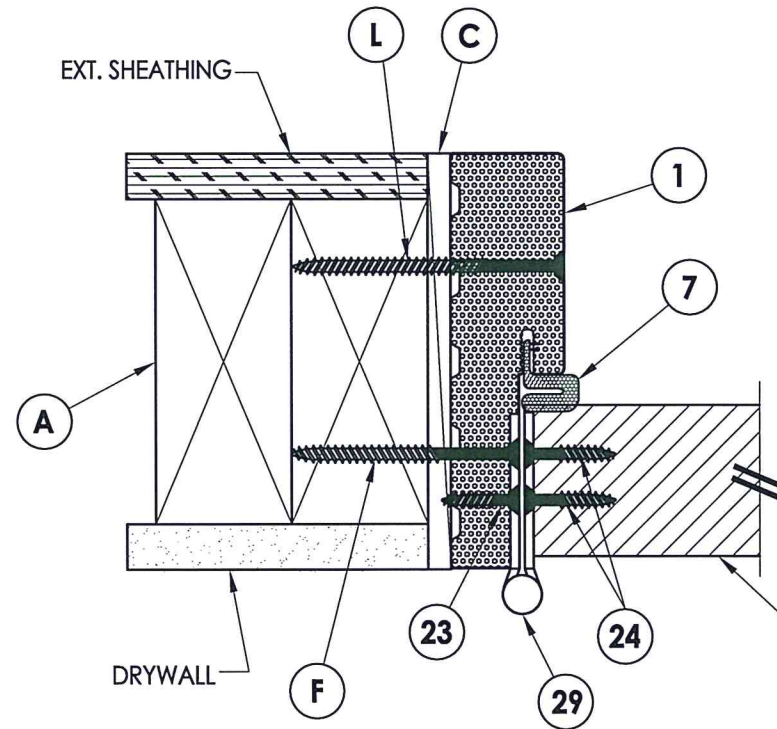
FRAME CORNERS ATTACHED w/ (4) STAPLES & (2) 1-1/2" SCREWS @ TOP & (3) STAPLES & (2) 1-1/2" SCREWS @ BOTTOM (TYP.)



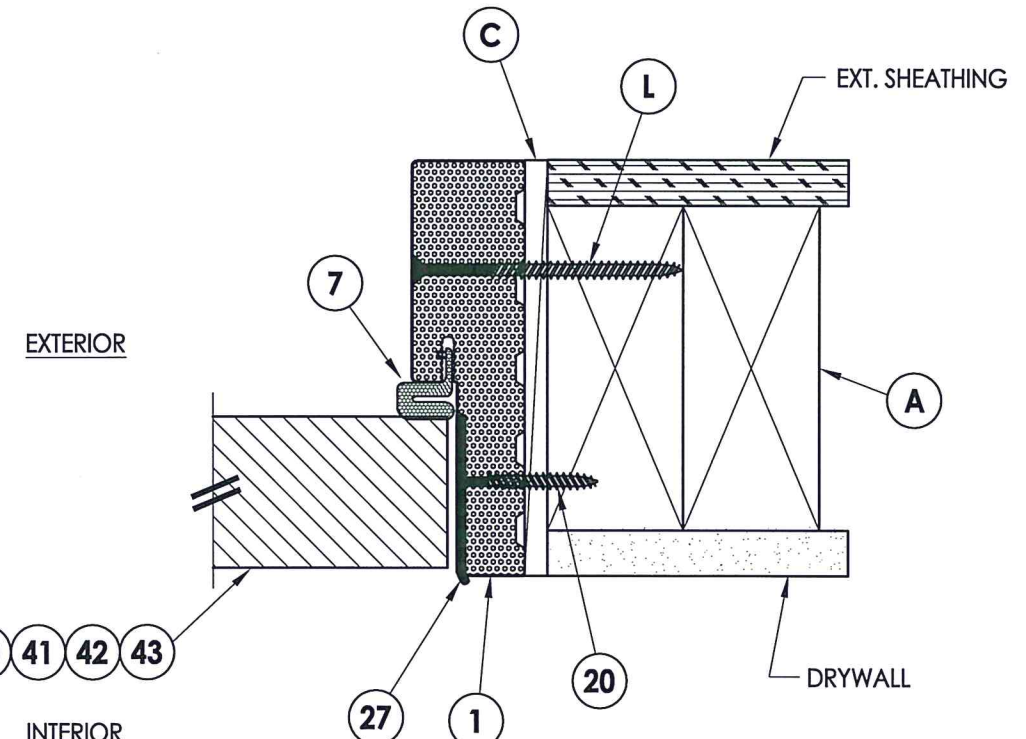
1/6 VERTICAL CROSS SECTION



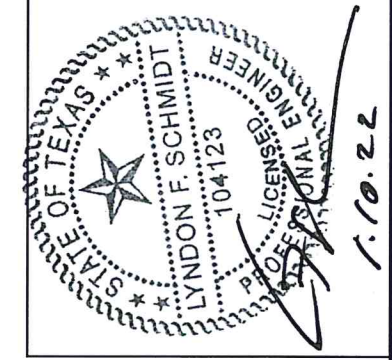
4/6 VERTICAL CROSS SECTION



2/6 HORIZONTAL CROSS SECTION



3/6 HORIZONTAL CROSS SECTION



Documents Prepared By: Lyndon F. Schmidt, P.E.
TEXAS P.E. #104123

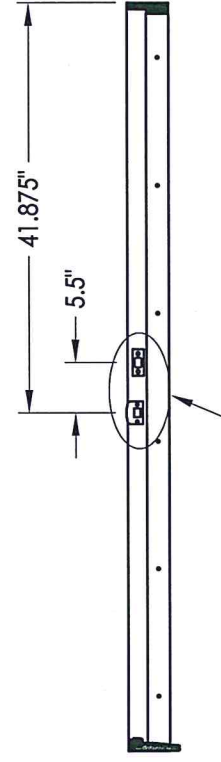
RW BUILDING CONSULTANTS, INC.
P.O. Box 230 Valrico FL, 33595
Phone No.: 813.659.9197

TEXAS BOARD OF PROFESSIONAL ENGINEERS
CERTIFICATE OF REGISTRATION # F-11852

PRODUCT: STEVES & SONS
FIBERGLASS DOOR
PART OR ASSEMBLY: HORIZONTAL & VERTICAL
CROSS SECTIONS

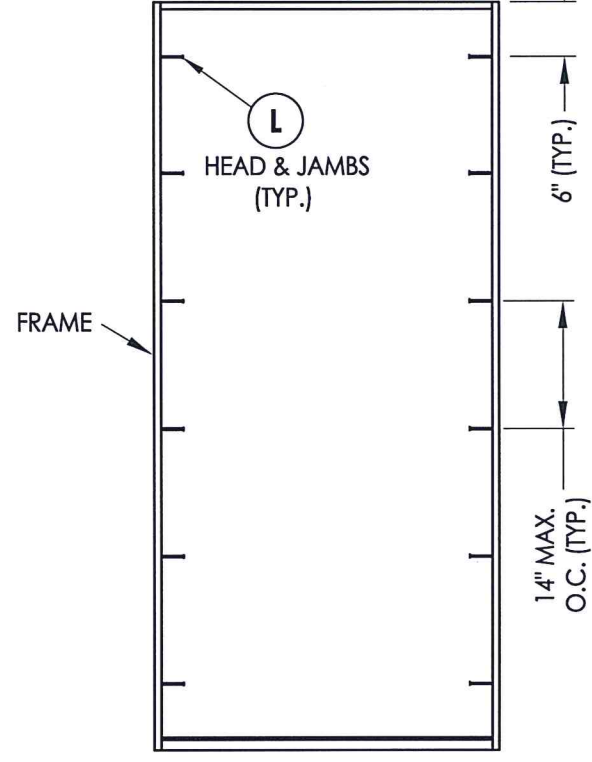
NO.	DATE	BY	REVISIONS

DATE: 10/12/21
SCALE: N.T.S.
DWG. BY: RW
CHK. BY: LFS
DRAWING NO.: TX-5251
SHEET 6 OF 8

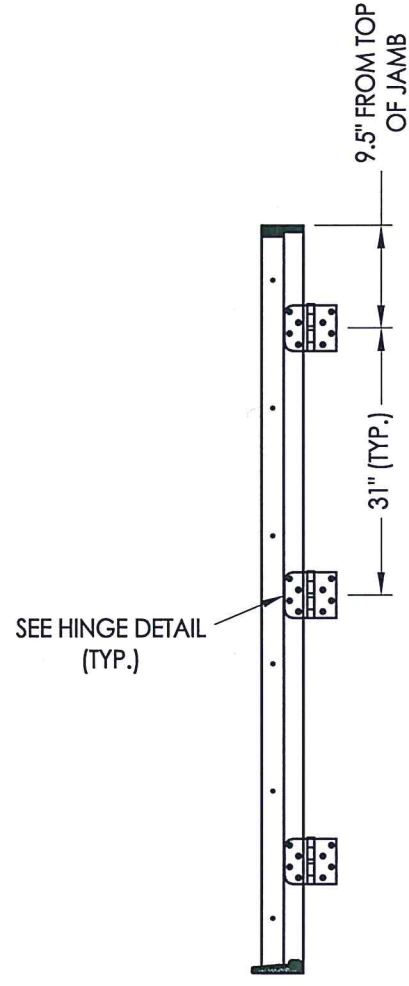


STRIKE JAMB

SEE LATCH & DEADBOLT DETAIL

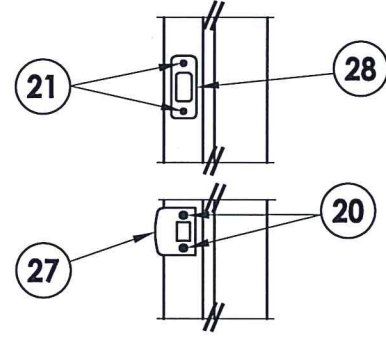


FRAME ANCHORING

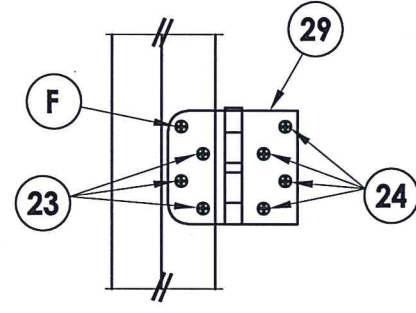


HINGE JAMB

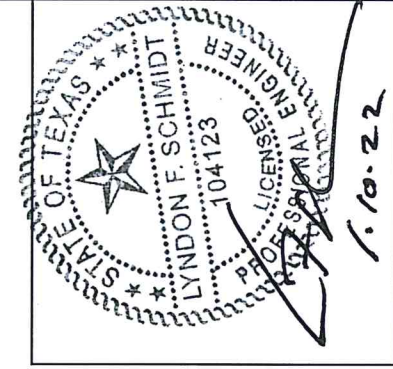
SEE HINGE DETAIL (TYP.)



LATCH & DEADBOLT DETAIL



HINGE DETAIL



Documents Prepared By: Lyndon F. Schmidt, P.E.
TEXAS P.E. #104123

RW BUILDING CONSULTANTS, INC.
P.O. Box 230 Valrico FL 33595
Phone No.: 813.659.9197

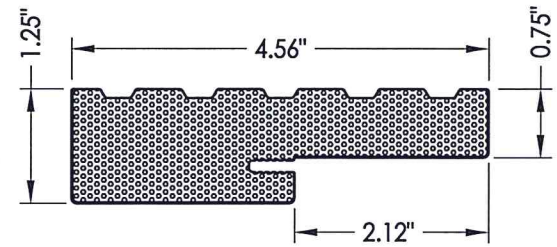
TEXAS BOARD OF PROFESSIONAL ENGINEERS
CERTIFICATE OF REGISTRATION # F-11852

PRODUCT:	STEVES & SONS FIBERGLASS DOOR
PART OR ASSEMBLY:	FRAME ANCHORING

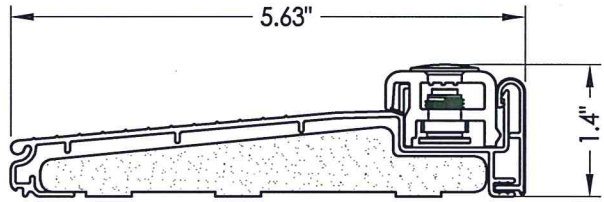
NO.	DATE	BY	REVISIONS

DATE:	10/12/21
SCALE:	N.T.S.
DWG. BY:	RW
CHK. BY:	LFS
DRAWING NO.:	TX-5251
SHEET	7 OF 8

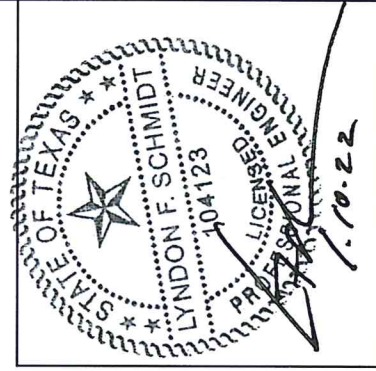
BILL OF MATERIALS		
ITEM #	DESCRIPTION	MATERIAL
A	2X FRAMING (SG >= 0.42)	WOOD
C	1/4" MAX. SHIM SPACE	-
F	#10 X 2-1/2" PFH WOOD SCREW	STEEL
L	#10 X 3" PFH WOOD SCREW (1.5" MIN. EMBEDMENT)	STEEL
1	COMPOSITE JAMB	COMP
7	WEATHERSTRIP	FOAM
8	DOOR SWEEP	VINYL
20	#8 X 1-1/2" PFH WOOD SCREW	STEEL
21	#10 X 3" PFH WOOD SCREW	STEEL
23	#9 X 3/4" PFH WOOD SCREW	STEEL
24	#9 X 1" PFH WOOD SCREW	STEEL
27	LATCH STRIKE PLATE	STEEL
28	DEADBOLT STRIKE PLATE	STEEL
29	4" X 4" HINGE	STEEL
30	INSWING THRESHOLD	ALUM/COMP
40	DOOR PANEL - 3/4 OVAL LITE	-
41	DOOR PANEL - 3/4 LITE	-
42	DOOR PANEL - 1/4 TOP LITE	-
43	DOOR PANEL - ARCH LITE	-



1 COMPOSITE JAMB



30 INSWING THRESHOLD
Columbia



Documents Prepared By: Lyndon F. Schmidt, P.E.
TEXAS P.E. #104123

RW BUILDING CONSULTANTS, INC.
P.O. Box 230 Valrico FL 33595
Phone No.: 813.659.9197
TEXAS BOARD OF PROFESSIONAL ENGINEERS
CERTIFICATE OF REGISTRATION # F-11852

PRODUCT: STEVES & SONS
FIBERGLASS DOOR
PART OR ASSEMBLY: BILL OF MATERIALS
& COMPONENTS

NO.	DATE	BY	REVISIONS

DATE: 10/12/21
SCALE: N.T.S.
DWG. BY: RW
CHK. BY: LFS
DRAWING NO.: TX-5251
SHEET 8 OF 8