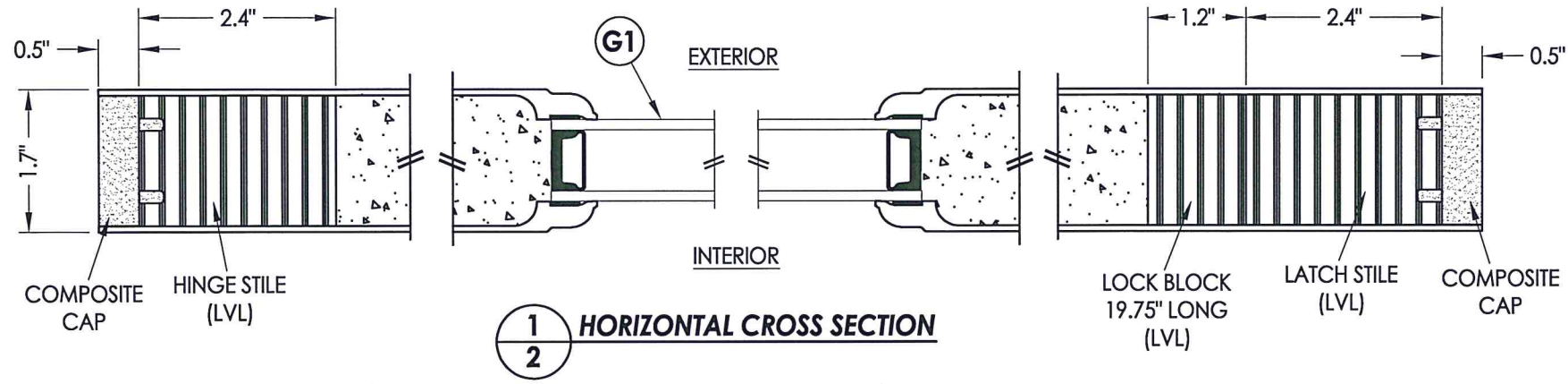
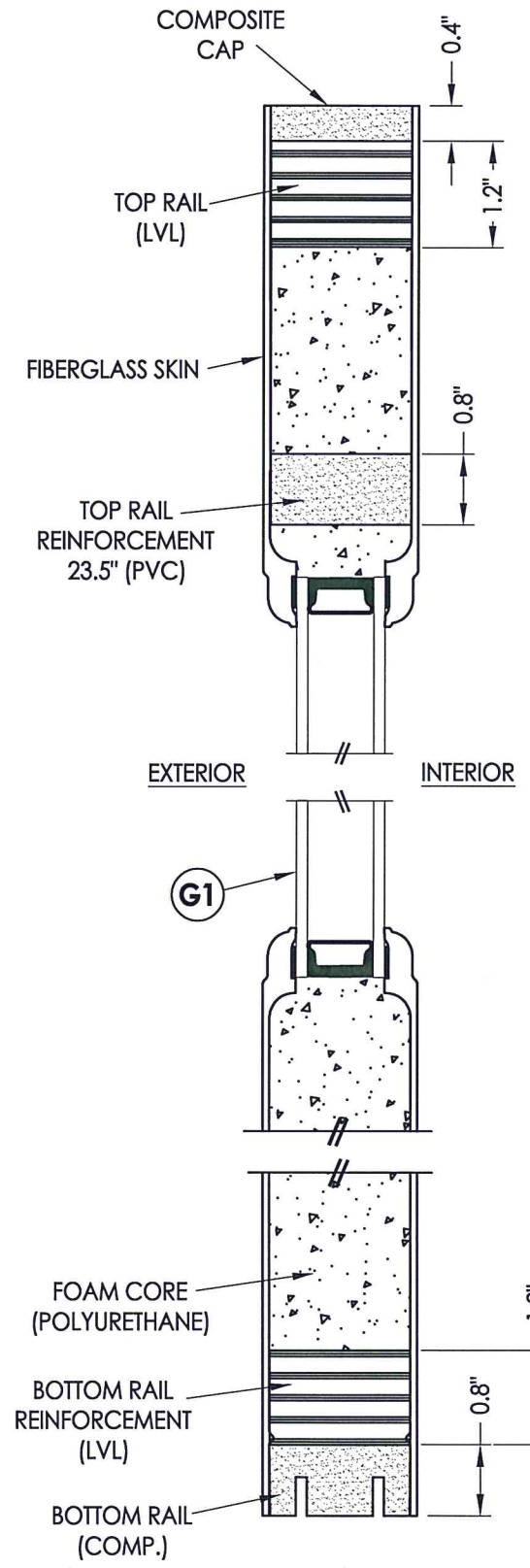


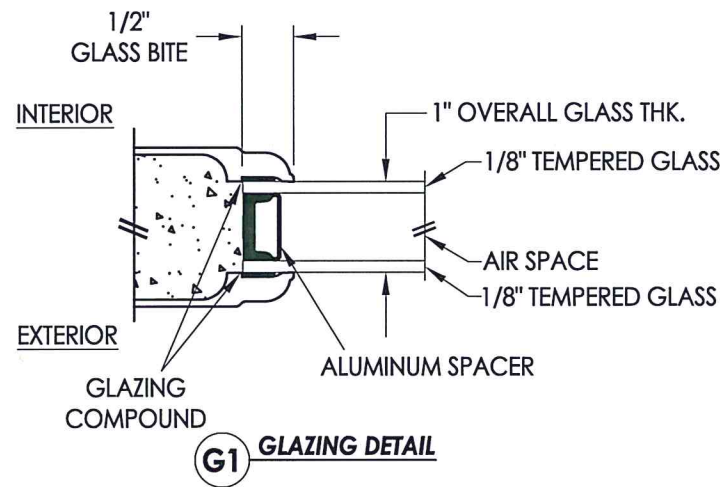
Z:\Clients\Steves and Sons - Permanent\B - Texas Dept of Ins\Hinged Doors-Fiberglass\TDI - DR-XXX (Sub ID....) X LELEGVC - Drawings\TX-5252.dwg



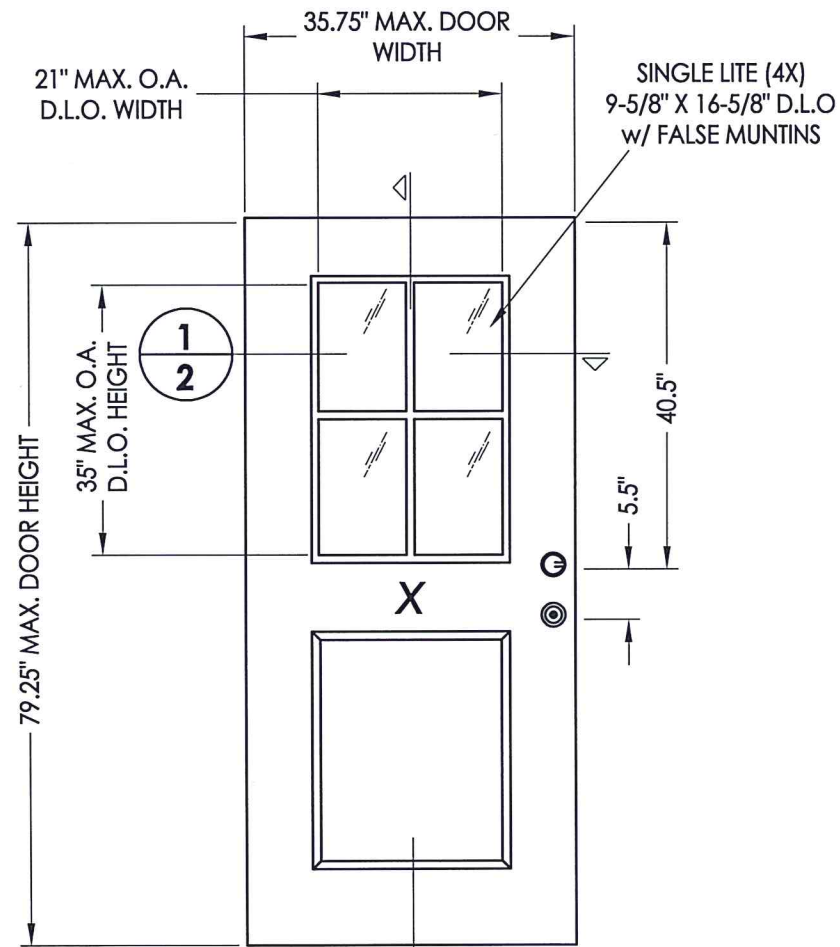
1
2 **HORIZONTAL CROSS SECTION**



2
2 **VERTICAL CROSS SECTION**



G1 **GLAZING DETAIL**



40 **FIBERGLASS DOOR PANEL**
HALF 4-LITE

FIBERGLASS DOOR SKIN: MIN. 0.090 THK.



Documents Prepared By: Lyndon F. Schmidt, P.E.
TEXAS P.E. #104123

RW BUILDING CONSULTANTS, INC.
P.O. Box 230 Valrico FL 33595
Phone No.: 813.659.9197

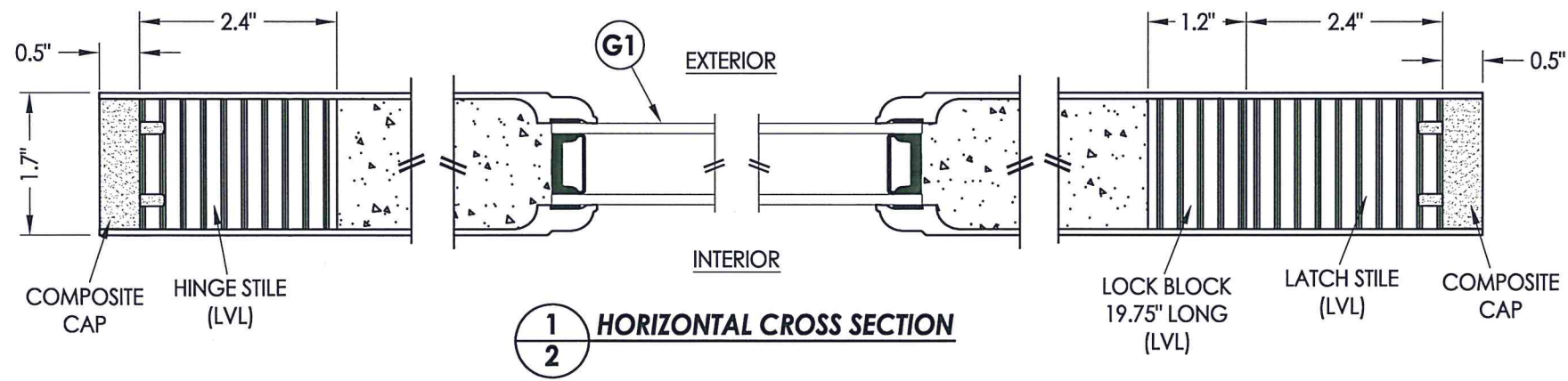
TEXAS BOARD OF PROFESSIONAL ENGINEERS
CERTIFICATE OF REGISTRATION # F-11852

PRODUCT: STEVES & SONS
FIBERGLASS DOOR

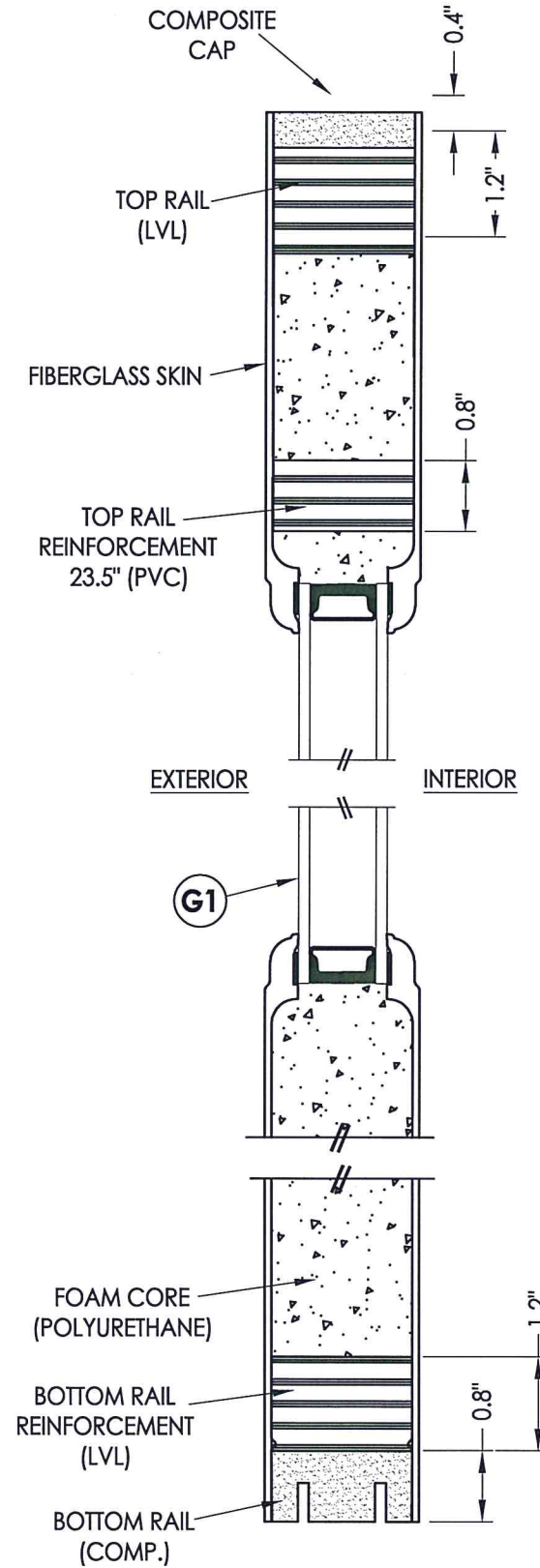
PART OR ASSEMBLY: DOOR PANEL DETAILS
HALF 4-LITE

NO.	DATE	BY	REVISIONS

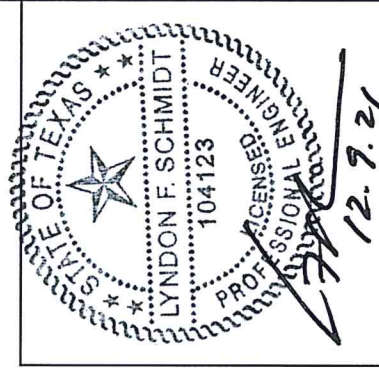
DATE: 10/12/21
SCALE: N.T.S.
DWG. BY: RW
CHK. BY: LFS
DRAWING NO.: TX-5252
SHEET 2 OF 8



1
2 HORIZONTAL CROSS SECTION

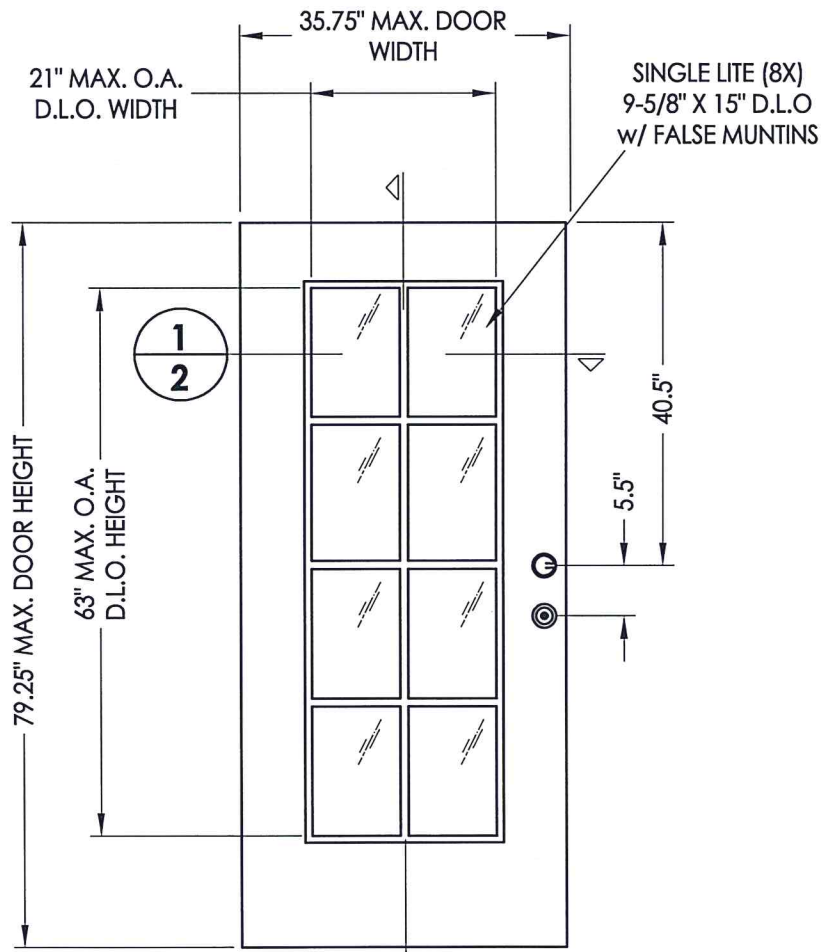


2
2 VERTICAL CROSS SECTION



Documents Prepared By: Lyndon F. Schmidt, P.E.
TEXAS P.E. #104123

RW BUILDING CONSULTANTS, INC.
P.O. Box 230 Valrico FL 33595
Phone No.: 813.659.9197
TEXAS BOARD OF PROFESSIONAL ENGINEERS
CERTIFICATE OF REGISTRATION # F-11852



42 FIBERGLASS DOOR PANEL
FULL 8-LITE

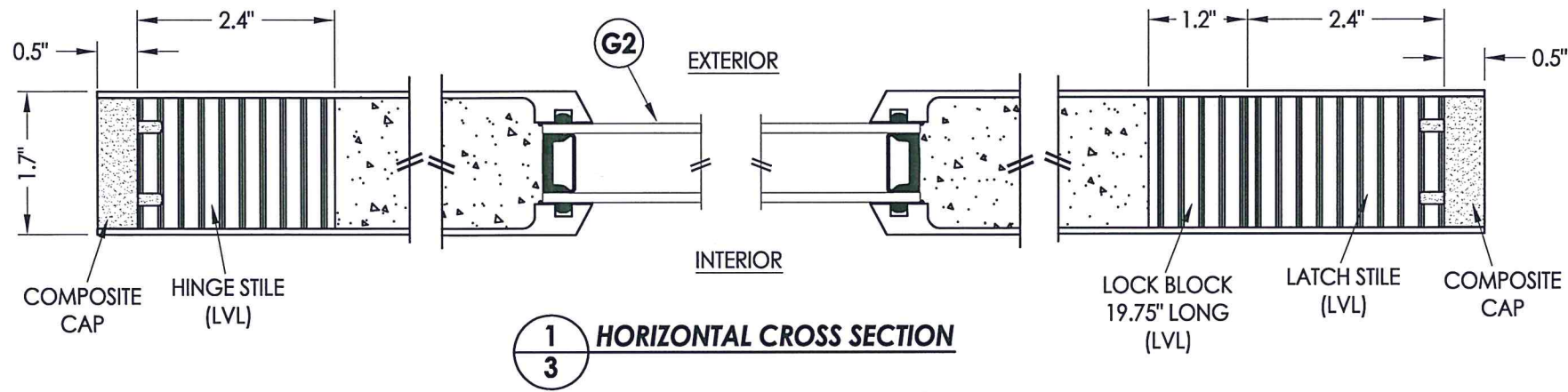
FIBERGLASS DOOR SKIN: MIN. 0.090 THK.

PRODUCT: STEVES & SONS
FIBERGLASS DOOR
PART OR ASSEMBLY: DOOR PANEL DETAILS
OVAL LITE

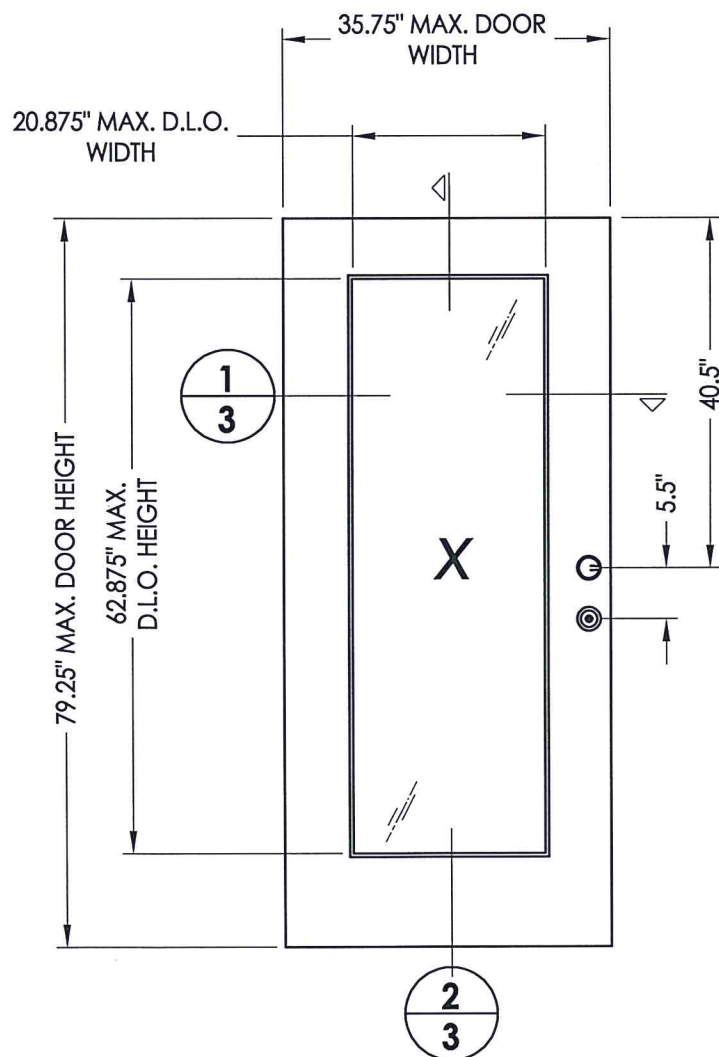
NO.	DATE	BY	REVISIONS

DATE: 10/12/21
SCALE: N.T.S.
DWG. BY: RW
CHK. BY: LFS
DRAWING NO.: TX-5252
SHEET 4 OF 8

Z:\Clients\Steves and Sons - Permanent\B - Texas Dept of Ins\Hinged Doors-Fiberglass\TDI - DR-XXX (Sub ID....) X LELEGY\C - Drawings\TX-5252.dwg

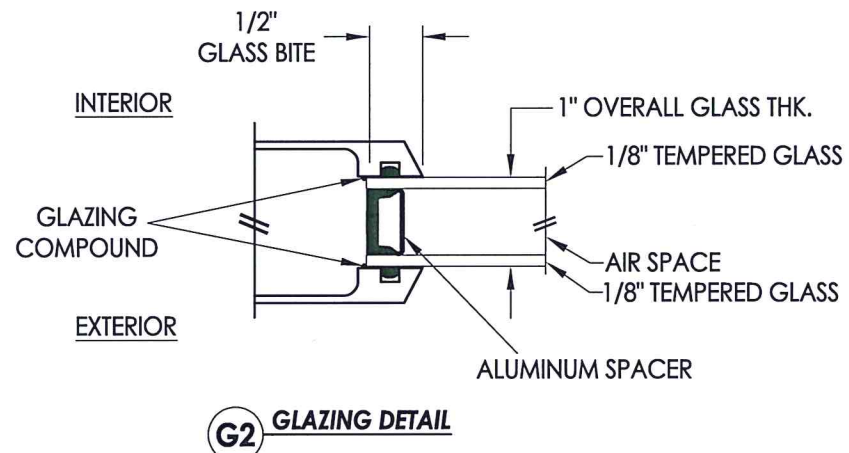


1
3 HORIZONTAL CROSS SECTION

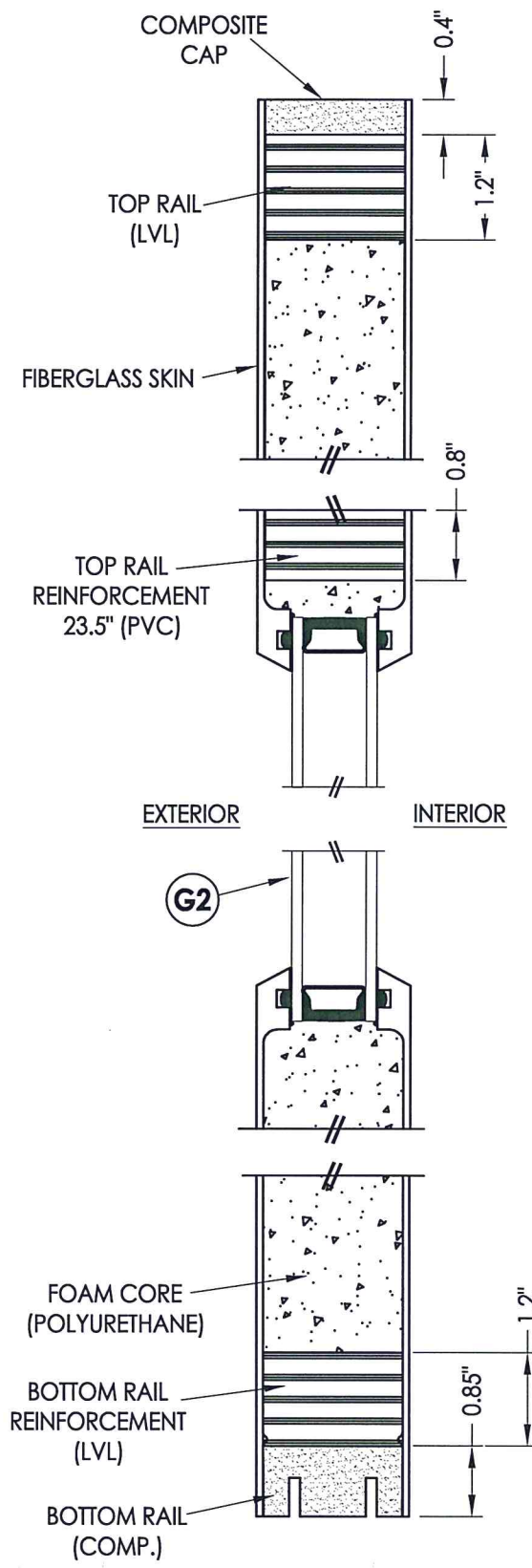


43 FIBERGLASS DOOR PANEL
FULL LITE

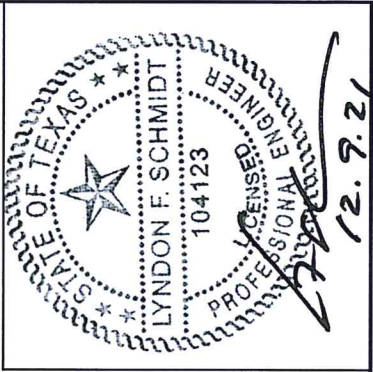
FIBERGLASS DOOR SKIN: MIN. 0.095" THK.



G2 GLAZING DETAIL



2
3 VERTICAL CROSS SECTION



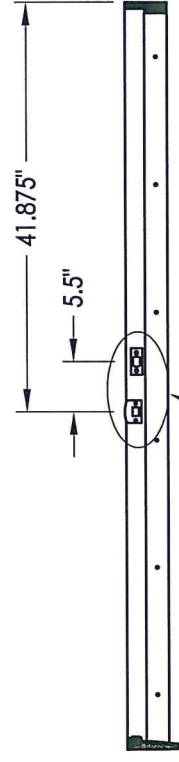
Documents Prepared By: Lyndon F. Schmidt, P.E.
TEXAS P.E. #104123

RW BUILDING CONSULTANTS, INC.
P.O. Box 230 Valrico FL 33595
Phone No.: 813.659.9197
TEXAS BOARD OF PROFESSIONAL ENGINEERS
CERTIFICATE OF REGISTRATION # F-11852

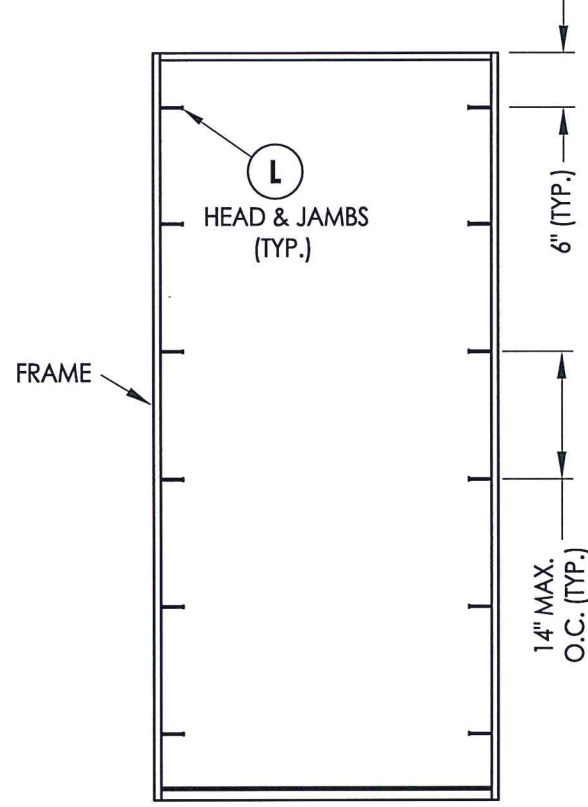
PRODUCT: STEVES & SONS
FIBERGLASS DOOR
PART OR ASSEMBLY: DOOR PANEL DETAILS
3/4 LITE

NO.	DATE	BY

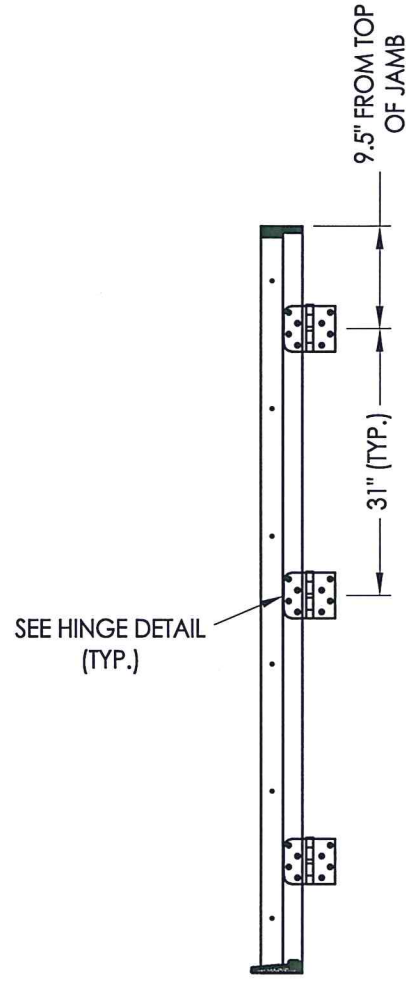
DATE: 10/12/21
SCALE: N.T.S.
DWG. BY: RW
CHK. BY: LFS
DRAWING NO.: TX-5252
SHEET 5 OF 8



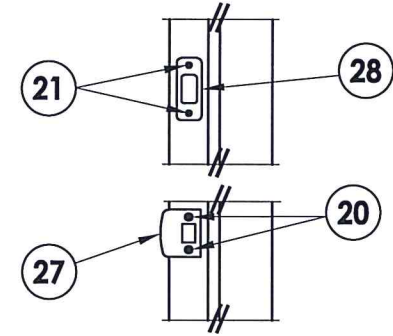
STRIKE JAMB



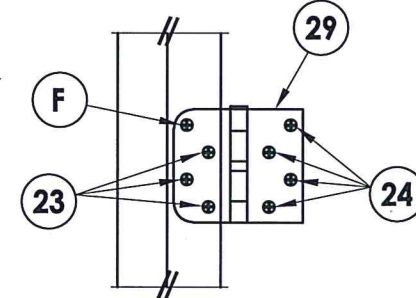
FRAME ANCHORING



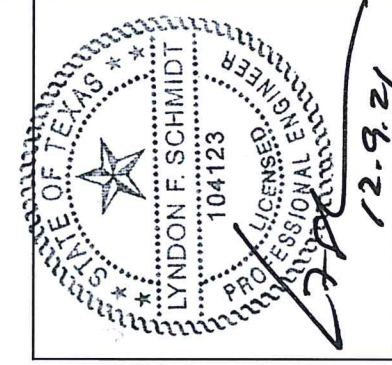
HINGE JAMB



LATCH & DEADBOLT DETAIL



HINGE DETAIL



Documents Prepared By: Lyndon F. Schmidt, P.E.
TEXAS P.E. #104123

RW BUILDING CONSULTANTS, INC.
P.O. Box 230 Valrico FL 33595
Phone No.: 813.659.9197

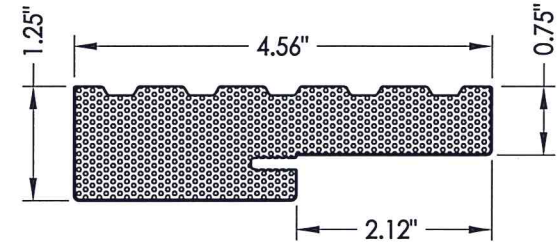
TEXAS BOARD OF PROFESSIONAL ENGINEERS
CERTIFICATE OF REGISTRATION # F-11852

PRODUCT: STEVES & SONS
FIBERGLASS DOOR
PART OR ASSEMBLY: FRAME ANCHORING

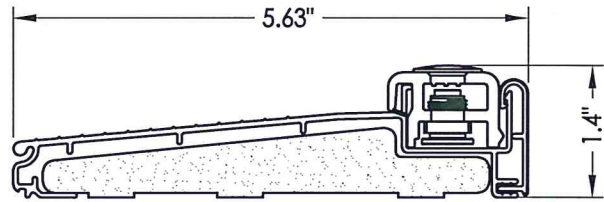
NO.	DATE	BY	REVISIONS

DATE: 10/12/21
SCALE: N.T.S.
DWG. BY: RW
CHK. BY: LFS
DRAWING NO.: TX-5252
SHEET 7 OF 8

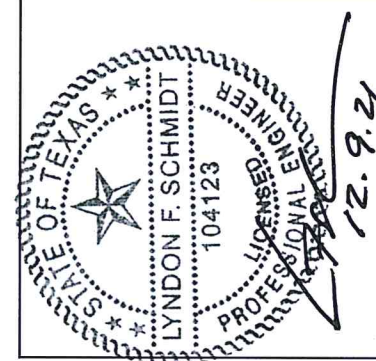
BILL OF MATERIALS		
ITEM #	DESCRIPTION	MATERIAL
A	2X FRAMING (SG >= 0.42)	WOOD
C	1/4" MAX. SHIM SPACE	-
F	#10 X 2-1/2" PFH WOOD SCREW	STEEL
L	#10 X 3" PFH WOOD SCREW (1.5" MIN. EMBEDMENT)	STEEL
1	COMPOSITE JAMB	COMP
7	WEATHERSTRIP	FOAM
8	DOOR SWEEP	VINYL
20	#8 X 1-1/2" PFH WOOD SCREW	STEEL
21	#10 X 3" PFH WOOD SCREW	STEEL
23	#9 X 3/4" PFH WOOD SCREW	STEEL
24	#9 X 1" PFH WOOD SCREW	STEEL
27	LATCH STRIKE PLATE	STEEL
28	DEADBOLT STRIKE PLATE	STEEL
29	4" X 4" HINGE	STEEL
30	INSWING THRESHOLD	ALUM/COMP
40	DOOR PANEL - HALF 4-LITE	-
41	DOOR PANEL - 3/4 6-LITE	-
42	DOOR PANEL - 1/4 TOP LITE	-
43	DOOR PANEL - FULL LITE	-



1 COMPOSITE JAMB



30 INSWING THRESHOLD
Columbia



Documents Prepared By: Lyndon F. Schmidt, P.E.
TEXAS P.E. #104123

RW BUILDING CONSULTANTS, INC.
P.O. Box 230 Valrico FL 33595
Phone No.: 813.659.9197

TEXAS BOARD OF PROFESSIONAL ENGINEERS
CERTIFICATE OF REGISTRATION # F-11852

PRODUCT: STEVES & SONS
FIBERGLASS DOOR

PART OR ASSEMBLY:
BILL OF MATERIALS
& COMPONENTS

NO.	DATE	BY	REVISIONS

DATE: 10/12/21
SCALE: N.T.S.
DWG. BY: RW
CHK. BY: LFS
DRAWING NO.: TX-5252
SHEET 8 OF 8