

REVISIONS			
REV	DESCRIPTION	DATE	APPROVED

NOTES:

1. THE PRODUCT SHOWN HEREIN IS DESIGNED AND MANUFACTURED TO COMPLY WITH REQUIREMENTS OF THE 2018 IBC AND 2018 IRC.
2. WOOD FRAMING AND MASONRY OPENING TO BE DESIGNED AND ANCHORED TO PROPERLY TRANSFER ALL LOADS TO STRUCTURE. FRAMING AND MASONRY OPENING IS THE RESPONSIBILITY OF THE ARCHITECT OR ENGINEER OF RECORD.
3. 1X BUCK OVER MASONRY/CONCRETE IS OPTIONAL. WHERE 1X BUCK IS NOT USED DISSIMILAR MATERIALS MUST BE SEPARATED WITH APPROVED COATING OR MEMBRANE. SELECTION OF COATING OR MEMBRANE IS THE RESPONSIBILITY OF THE ARCHITECT OR ENGINEER OF RECORD.
4. ALLOWABLE STRESS INCREASE OF 1/3 WAS NOT USED IN THE DESIGN OF THE PRODUCT SHOWN HEREIN. WIND LOAD DURATION FACTOR Cd=1.6 WAS USED FOR WOOD ANCHOR CALCULATIONS.
5. FRAME MATERIAL: ALUMINUM 6063-T6 AND 6005A-T5.
6. UNITS MUST BE GLAZED PER ASTM E1300, WITH SAFETY GLAZING, SEE GLAZING DETAIL IN SHEET 12.
7. APPROVED IMPACT PROTECTIVE SYSTEM IS REQUIRED FOR THIS PRODUCT IN WIND BORNE DEBRIS REGIONS.
8. SHIM AS REQUIRED AT EACH INSTALLATION ANCHOR WITH LOAD BEARING SHIM. SHIM WHERE SPACE OF 1/16" OR GREATER OCCURS. MAXIMUM ALLOWABLE SHIM STACK TO BE 1/4".
9. FOR ANCHORING INTO WOOD FRAMING OR 2X BUCK USE #14 WOOD SCREWS WITH SUFFICIENT LENGTH TO ACHIEVE A 1 3/4" MINIMUM EMBEDMENT INTO SUBSTRATE. LOCATE

- ANCHORS AS SHOWN IN ELEVATIONS AND INSTALLATION DETAILS.
10. FOR ANCHORING INTO MASONRY/CONCRETE USE 1/4" TAPCONS WITH SUFFICIENT LENGTH TO ACHIEVE A 1 1/4" MINIMUM EMBEDMENT INTO SUBSTRATE WITH 2" MINIMUM EDGE DISTANCE. LOCATE ANCHORS AS SHOWN IN ELEVATIONS AND INSTALLATION DETAILS.
  11. FOR ANCHORING INTO METAL STRUCTURE USE #14 SMS OR SELF DRILLING SCREWS WITH SUFFICIENT LENGTH TO ACHIEVE 3 THREADS MINIMUM BEYOND STRUCTURE INTERIOR WALL. LOCATE ANCHORS AS SHOWN IN ELEVATIONS AND INSTALLATION DETAILS.
  12. ALL FASTENERS TO BE CORROSION RESISTANT.
  13. INSTALLATION ANCHORS SHALL BE INSTALLED IN ACCORDANCE WITH ANCHOR MANUFACTURER'S INSTALLATION INSTRUCTIONS AND ANCHORS SHALL NOT BE USED IN SUBSTRATES WITH STRENGTHS LESS THAN THE MINIMUM STRENGTH SPECIFIED BELOW:
    - A. WOOD – MINIMUM SPECIFIC GRAVITY OF G=0.42
    - B. CONCRETE – MINIMUM COMPRESSIVE STRENGTH OF 3,000 PSI.
    - C. MASONRY – STRENGTH CONFORMANCE TO ASTM C-90, GRADE N, TYPE 1 (OR GREATER).
    - D. METAL STRUCTURE: STEEL 12GA, 33KSI OR ALUMINUM 6063-T5 .125" THICK MINIMUM

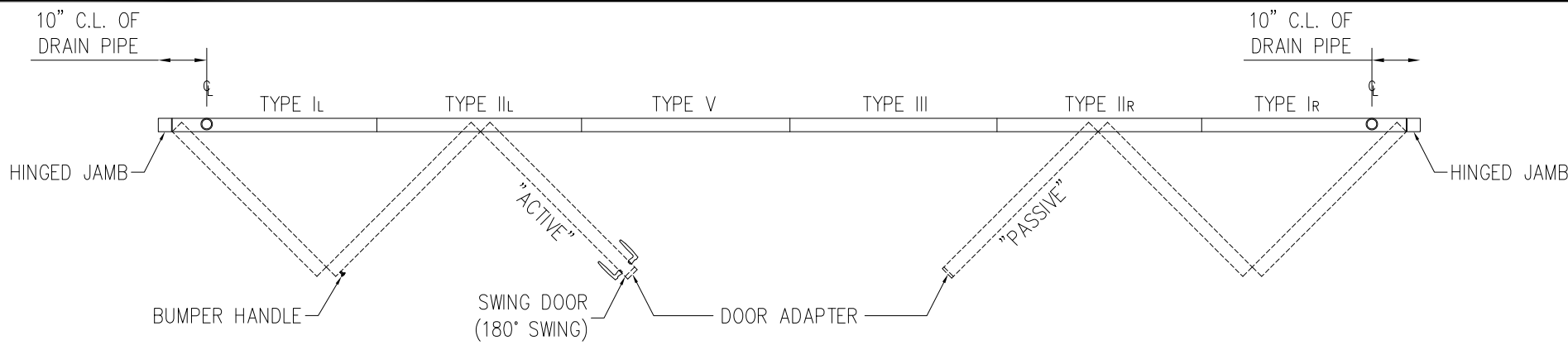
TABLE OF CONTENTS	
SHEET NO.	DESCRIPTION
1	NOTES
2	ELEVATIONS
3	ANCHORING LAYOUT & DESIGN PRESSURE CHART
4 – 8	CROSS SECTIONS
9-10	INSTALLATION DETAILS
11	WEEP DETAILS
12	COMPONENTS

<b>SOLAR INNOVATIONS, INC.</b> 31 ROBERTS RD PINE GROVE, PA 17963		
SERIES SI3000 LITE RAIL IN/OUT ALUMINUM FGW NON-IMPACT NOTES		
DRAWN: A.R.	DWG NO. 08-03486	REV -
SCALE NTS	DATE 03/31/2021	SHEET 1 OF 12
L. ROBERTO LOMAS P.E. 1432 WOODFORD RD LEWISVILLE, NC 27023 434-688-0609 rllomas@lrlomaspe.com		

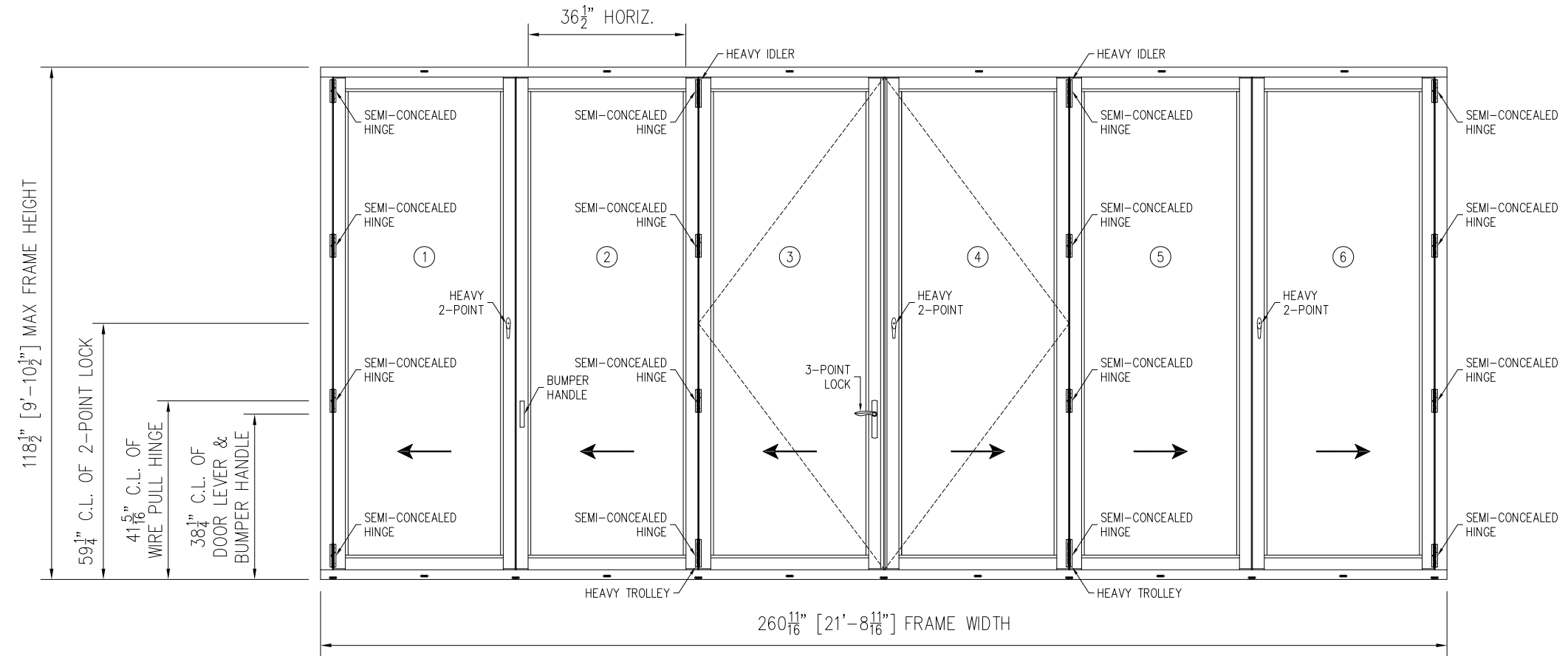
SIGNED: 01/07/2022



Luis R. Lomas P.E.  
 TX No.: 101889  
 Firm No: F-23130



REVISIONS			
REV	DESCRIPTION	DATE	APPROVED



- NOTES:**
- PANEL SIZE: 42 9/32" x 113 1/2"
  - D.L.O. SIZE: 35 9/32" x 107 1/4"

**SERIES SI3000 LITE RAIL IN/OUT ALUMINUM FGW NON-IMPACT**  
EXTERIOR VIEW

DESIGN PRESSURE RATING	IMPACT RATING
±50PSF	NONE

SIGNED: 01/07/2022

HARDWARE SCHEDULE
A. SEMI-CONCEALED HINGE BY SOLAR INNOVATIONS
B 2 POINT HANDLE & LOCK MS000487-XX BY SOLAR INNOVATIONS
C 3 POINT HANDLE & LOCK BY SOLAR INNOVATIONS
D SURFACE MOUNT HINGE BY SOLAR INNOVATIONS

**SOLAR INNOVATIONS, INC.**  
31 ROBERTS RD  
PINE GROVE, PA 17963

SERIES SI3000 LITE RAIL IN/OUT ALUMINUM FGW  
NON-IMPACT  
ELEVATIONS

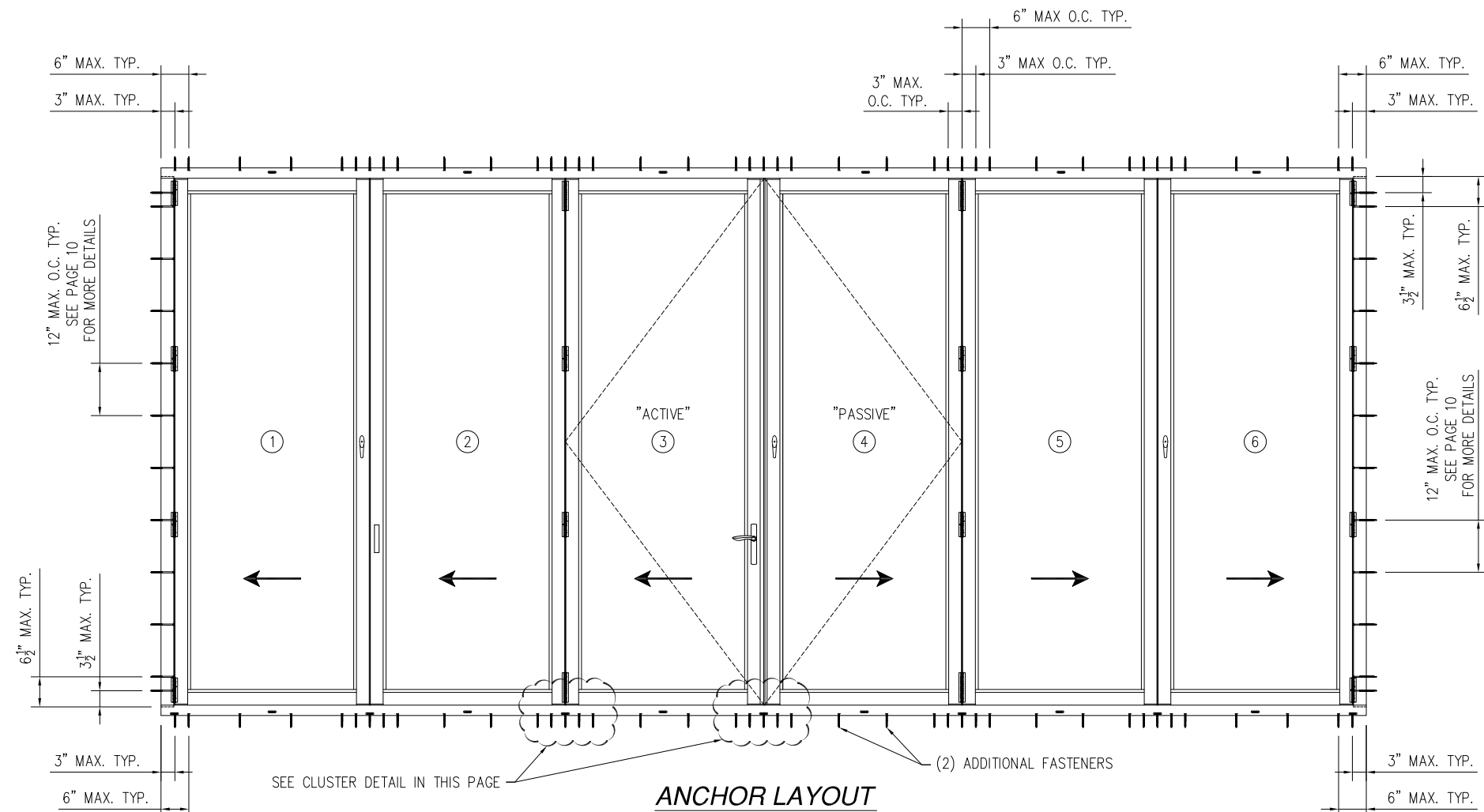
DRAWN: A.R.	DWG NO. 08-03486	REV -
SCALE NTS	DATE 03/31/2021	SHEET 2 OF 12

L. ROBERTO LOMAS P.E.  
1432 WOODFORD RD LEWISVILLE, NC 27023  
434-688-0609 rllomas@rlomaspe.com

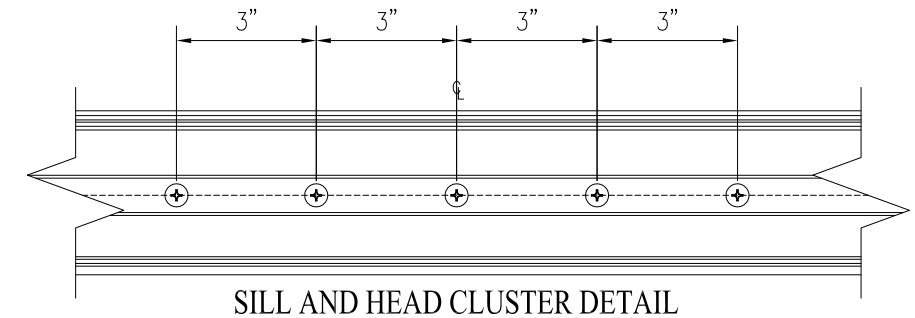


Luis R. Lomas P.E.  
TX No.: 101889  
Firm No: F-23130

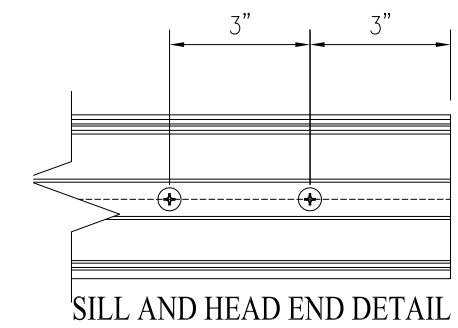
REVISIONS			
REV	DESCRIPTION	DATE	APPROVED



**ANCHOR LAYOUT**  
APPLICABLE TO ALL CONFIGURATIONS



SILL AND HEAD CLUSTER DETAIL



SILL AND HEAD END DETAIL

SIGNED: 01/07/2022

**SOLAR INNOVATIONS, INC.**  
31 ROBERTS RD  
PINE GROVE, PA 17963

SERIES SI3000 LITE RAIL IN/OUT ALUMINUM FGW  
NON-IMPACT  
ANCHORING LAYOUT & DESIGN PRESSURE CHART

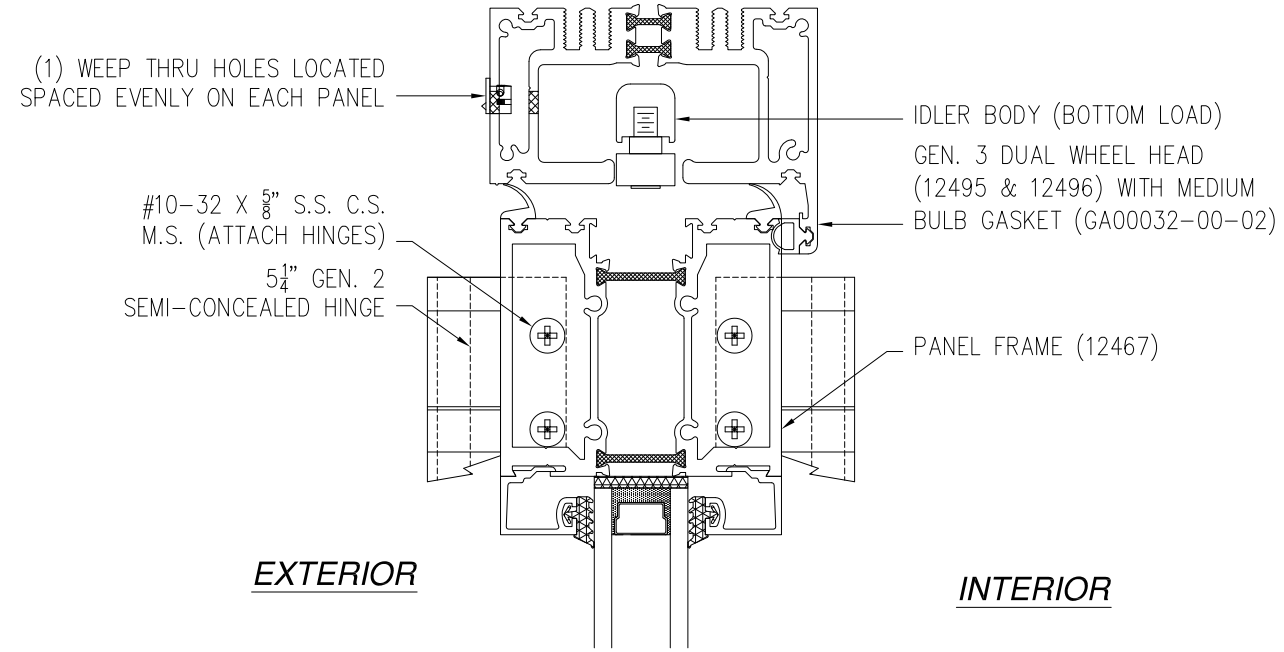
DRAWN: A.R.	DWG NO. 08-03486	REV -
SCALE NTS	DATE 03/31/2021	SHEET 3 OF 12

L. ROBERTO LOMAS P.E.  
1432 WOODFORD RD LEWISVILLE, NC 27023  
434-688-0609 rllomas@rlomaspe.com



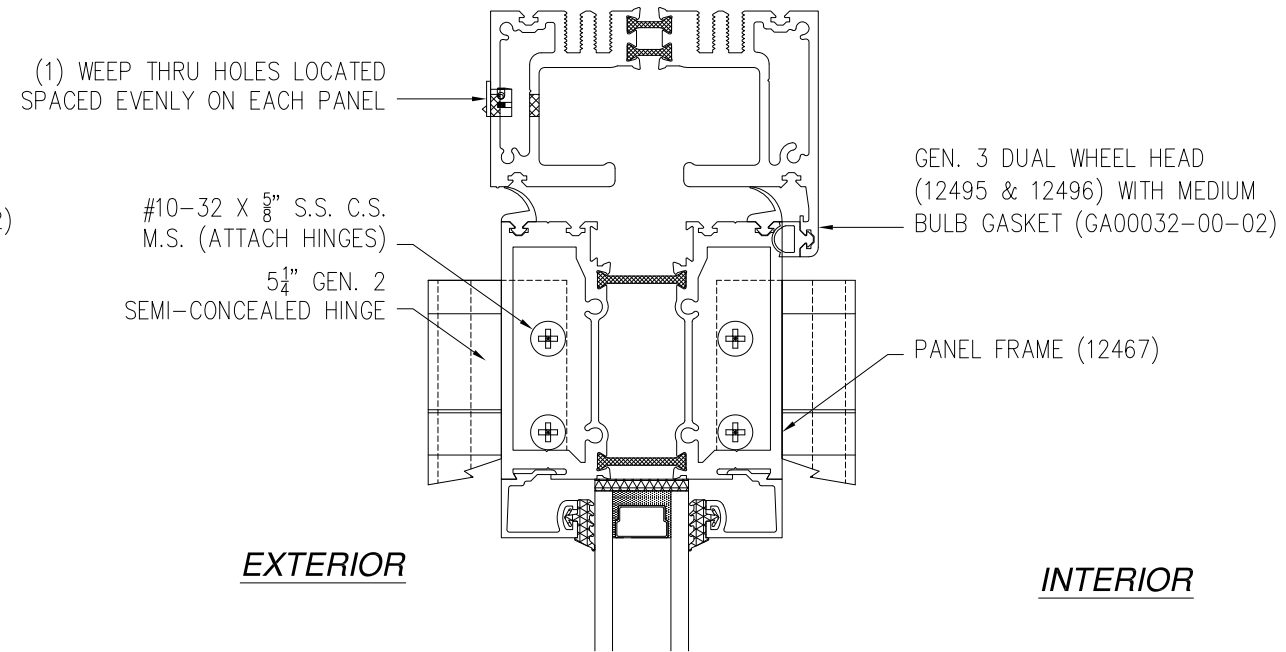
Luis R. Lomas P.E.  
TX No.: 101889  
Firm No: F-23130

REVISIONS			
REV	DESCRIPTION	DATE	APPROVED



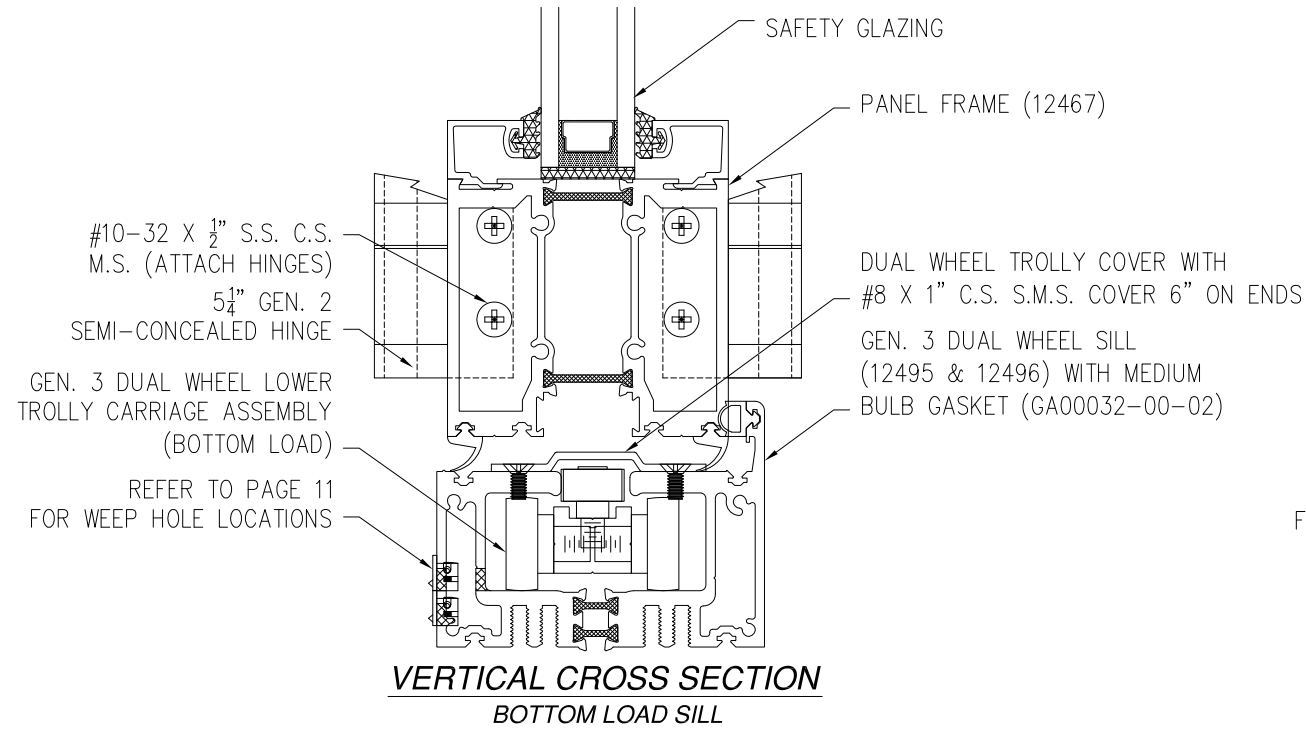
**EXTERIOR**

**INTERIOR**

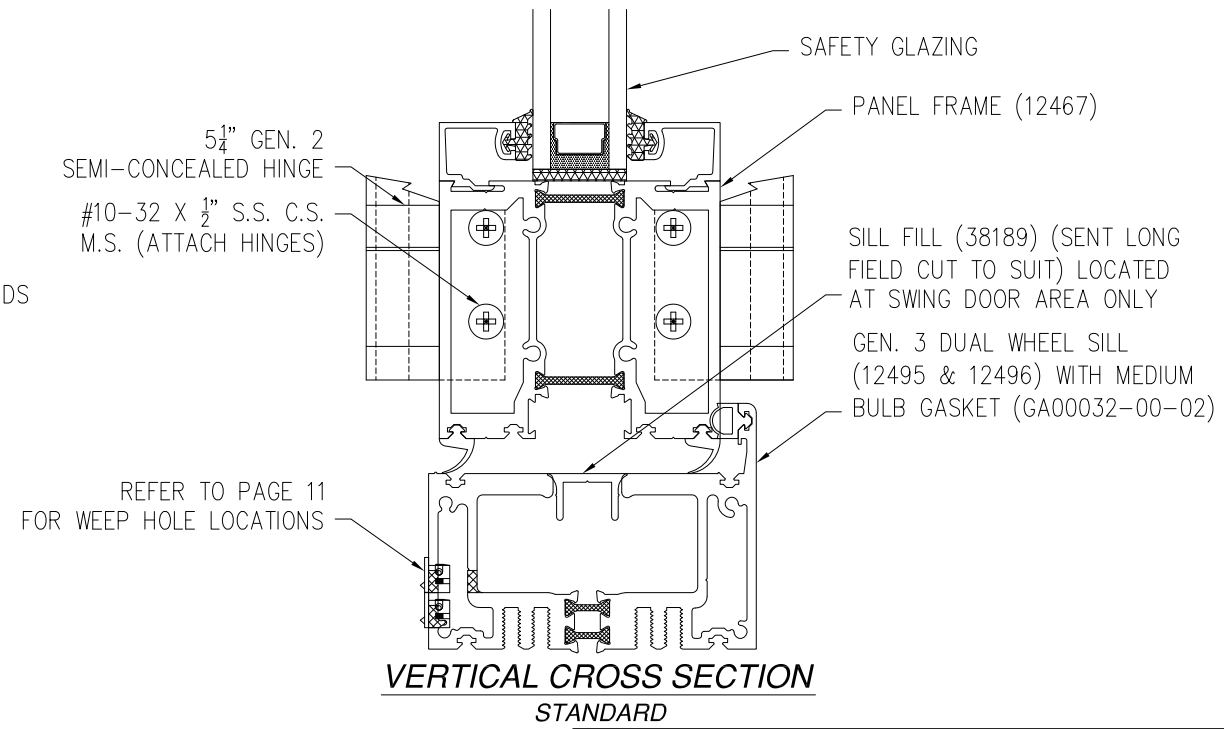


**EXTERIOR**

**INTERIOR**



**VERTICAL CROSS SECTION**  
BOTTOM LOAD SILL



**VERTICAL CROSS SECTION**  
STANDARD

SOLAR INNOVATIONS, INC.  
31 ROBERTS RD  
PINE GROVE, PA 17963

SERIES SI3000 LITE RAIL IN/OUT ALUMINUM FGW  
NON-IMPACT  
OUTSWING VERTICAL CROSS SECTIONS

DRAWN: A.R.	DWG NO. 08-03486	REV -
SCALE NTS	DATE 03/31/2021	SHEET 4 OF 12

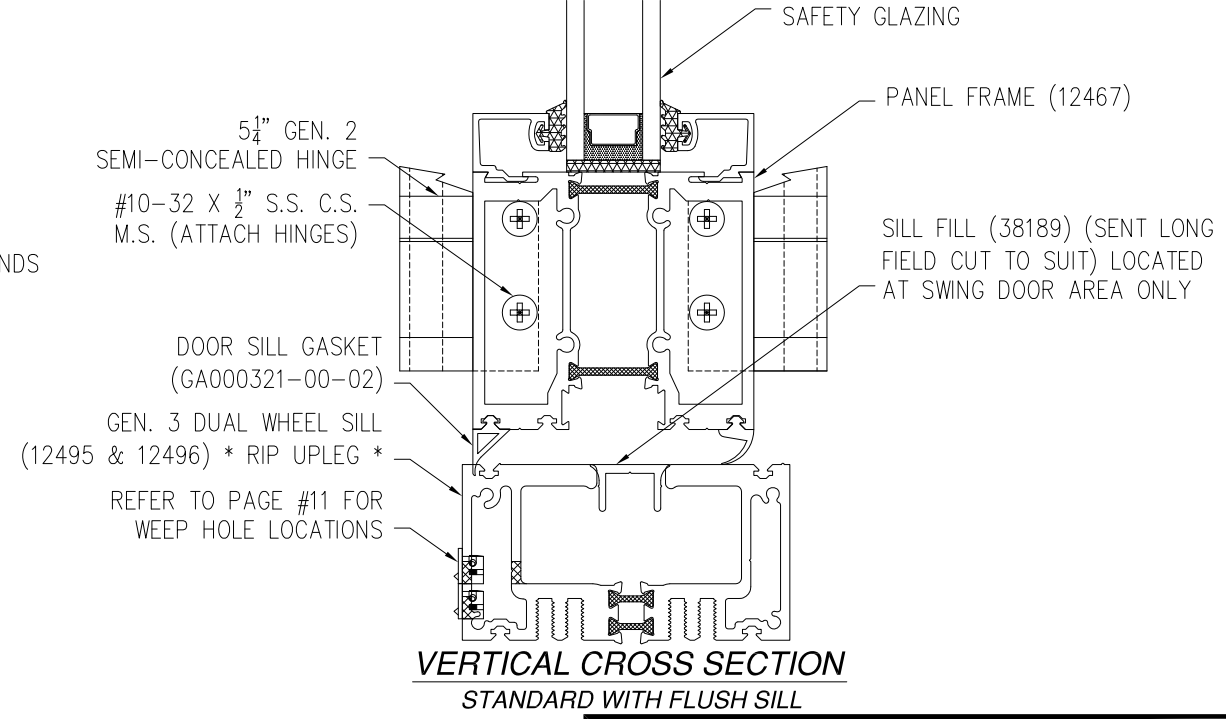
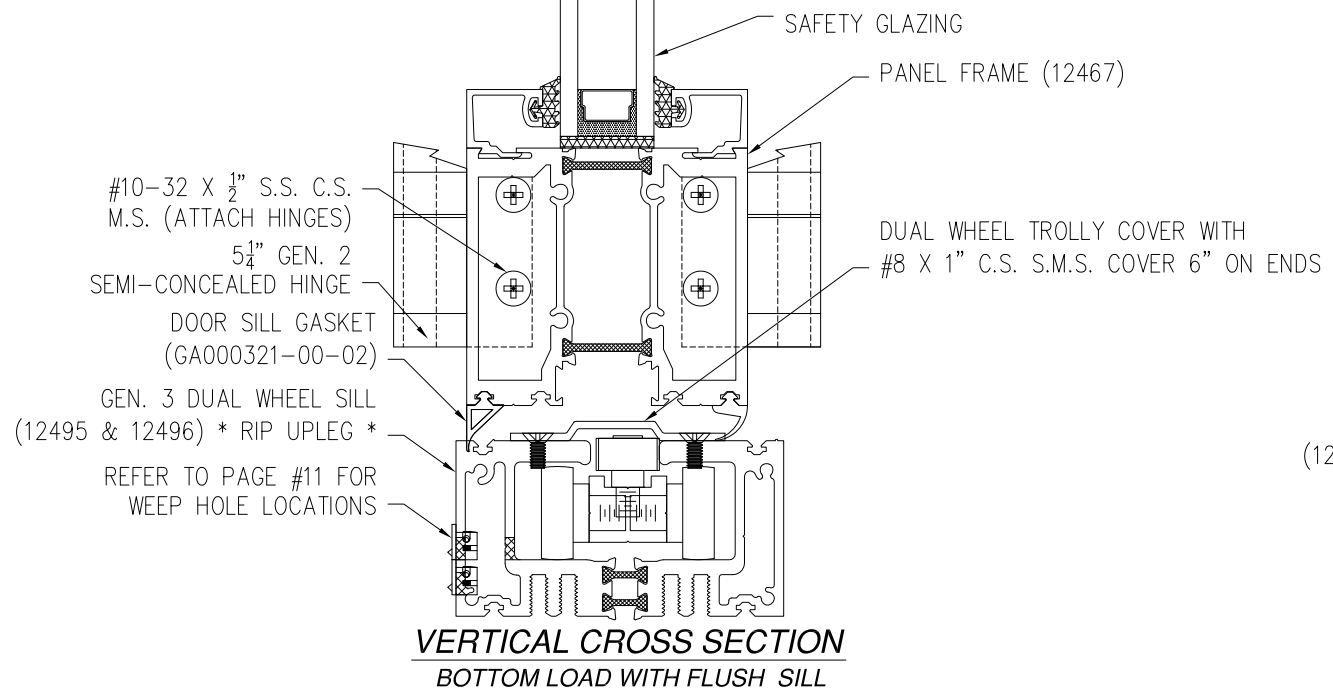
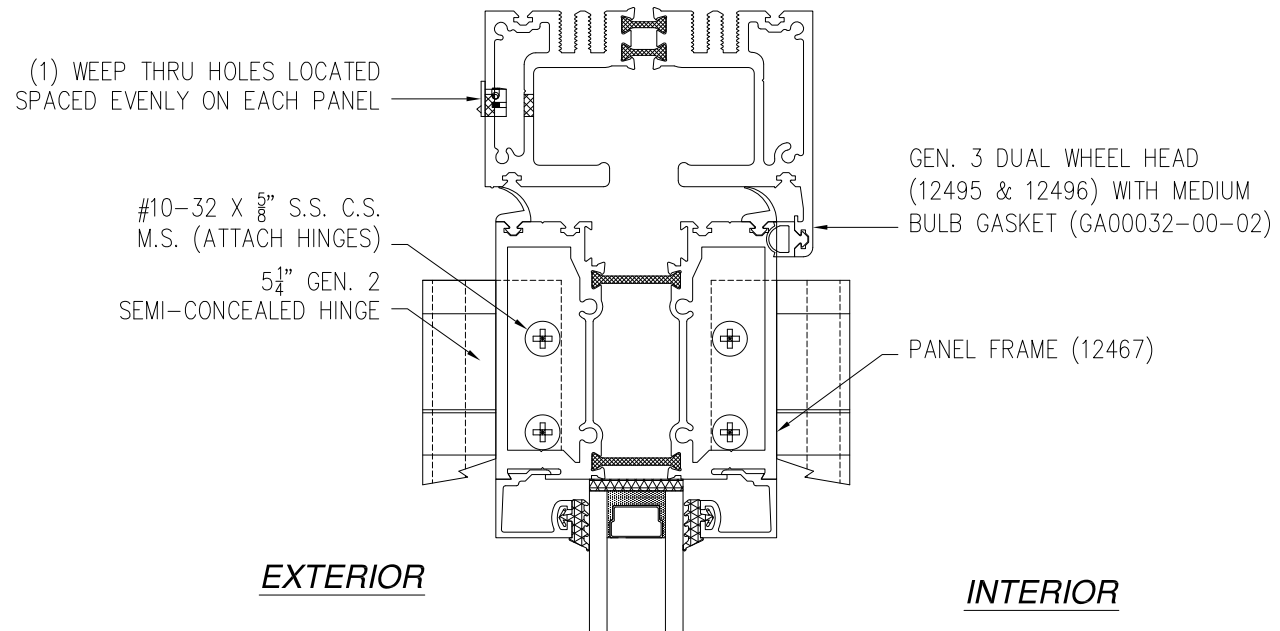
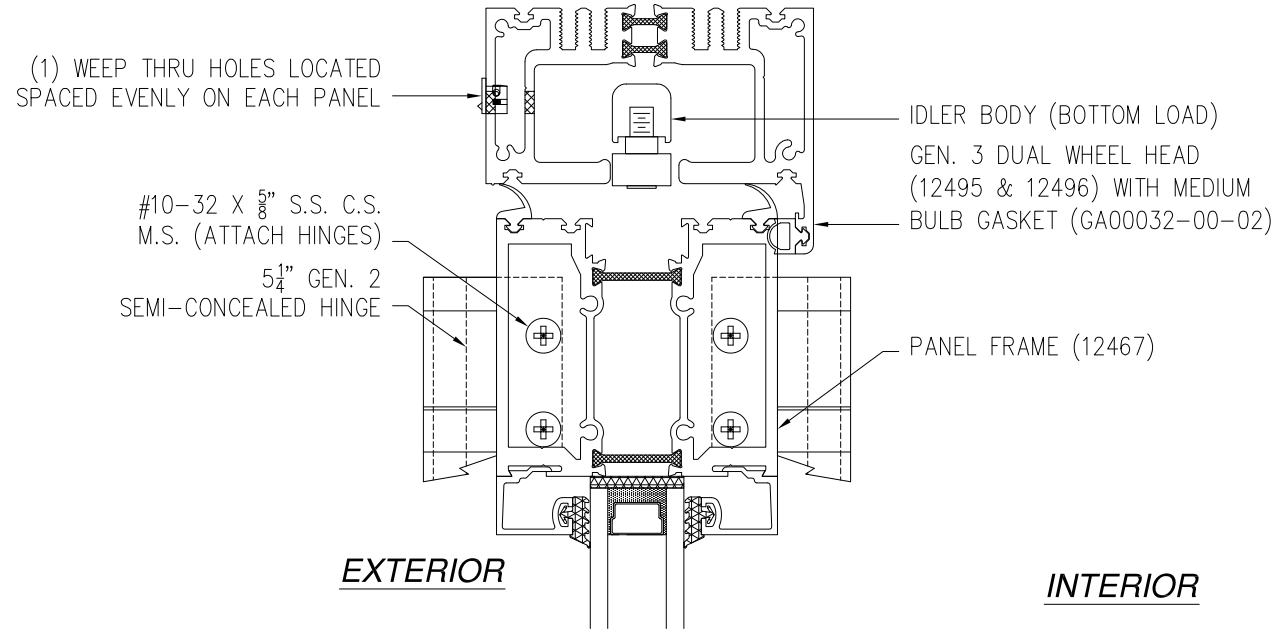
L. ROBERTO LOMAS P.E.  
1432 WOODFORD RD LEWISVILLE, NC 27023  
434-688-0609 rllomas@rlomaspe.com

SIGNED: 01/07/2022



Luis R. Lomas P.E.  
TX No.: 101889  
Firm No: F-23130

REVISIONS			
REV	DESCRIPTION	DATE	APPROVED



**SOLAR INNOVATIONS, INC.**  
 31 ROBERTS RD  
 PINE GROVE, PA 17963

SERIES SI3000 LITE RAIL IN/OUT ALUMINUM FGW  
 NON-IMPACT  
 OUTSWING VERTICAL CROSS SECTIONS

DRAWN: A.R.	DWG NO. 08-03486	REV -
SCALE NTS	DATE 03/31/2021	SHEET 5 OF 12

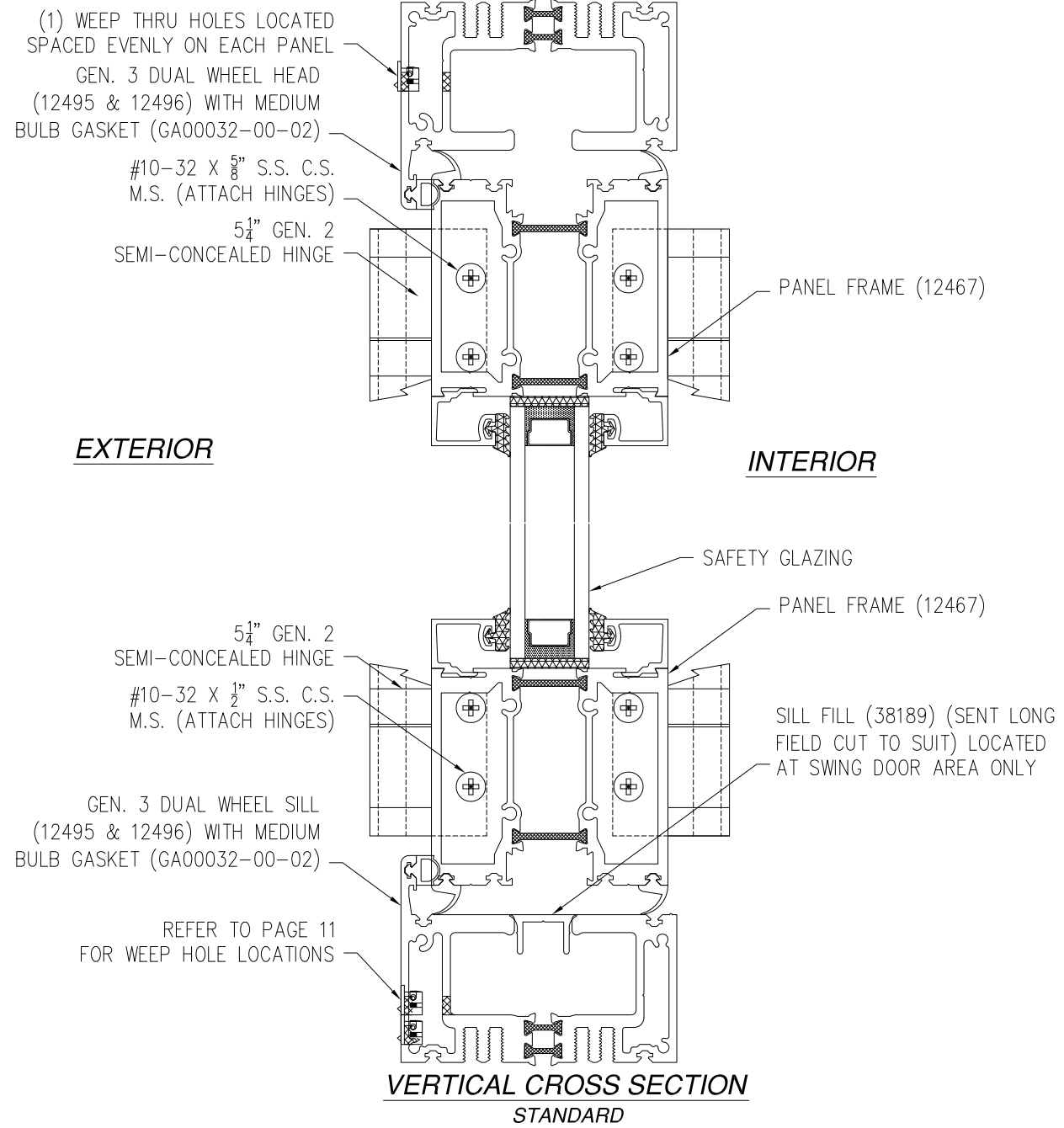
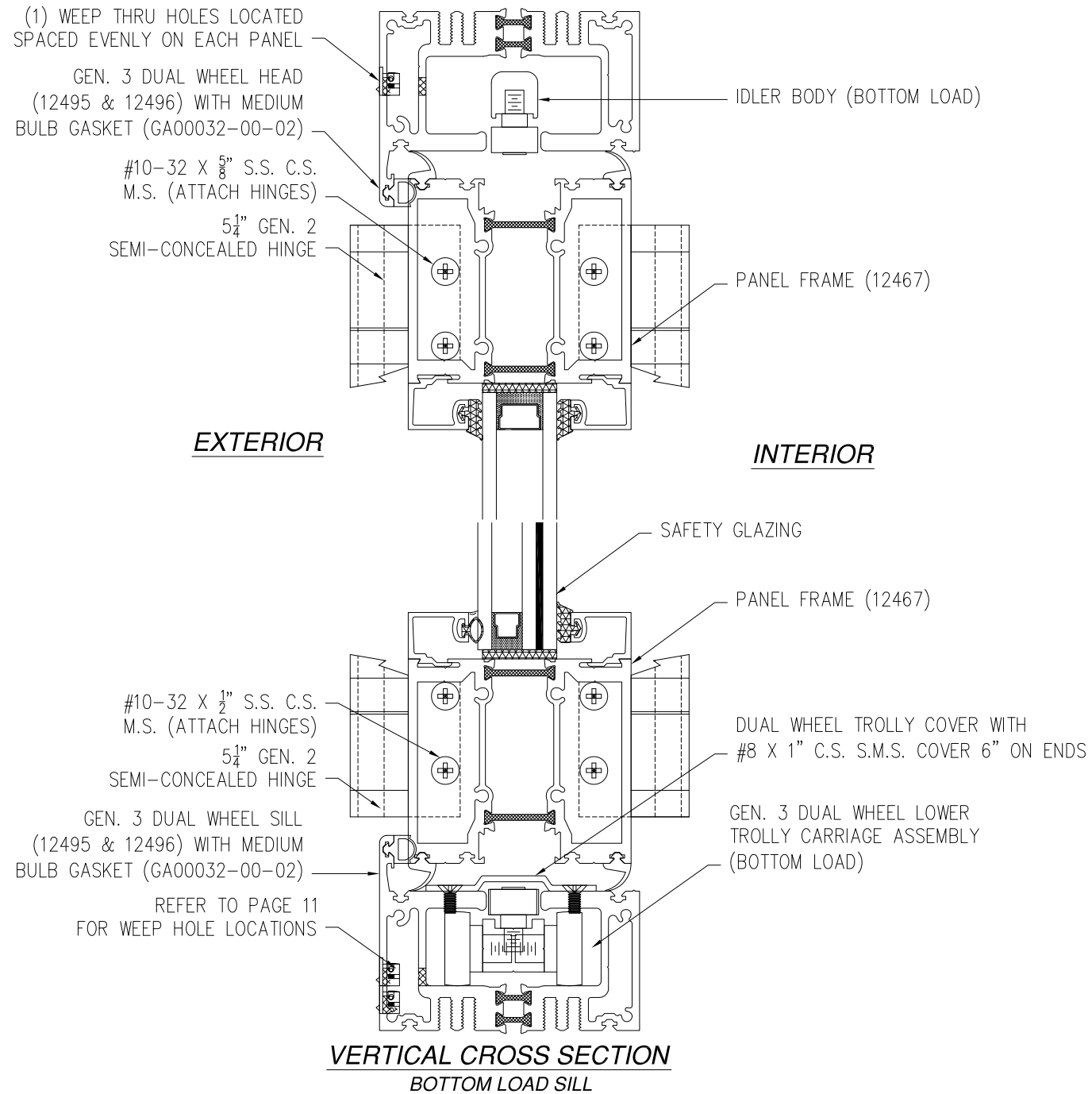
L. ROBERTO LOMAS P.E.  
 1432 WOODFORD RD LEWISVILLE, NC 27023  
 434-688-0609 rllomas@rlomaspe.com

SIGNED: 01/07/2022



Luis R. Lomas P.E.  
 TX No.: 101889  
 Firm No: F-23130

REVISIONS			
REV	DESCRIPTION	DATE	APPROVED



SIGNED: 01/07/2022

**SOLAR INNOVATIONS, INC.**  
31 ROBERTS RD  
PINE GROVE, PA 17963

SERIES SI3000 LITE RAIL IN/OUT ALUMINUM FGW  
NON-IMPACT  
IN SWING VERTICAL CROSS SECTIONS

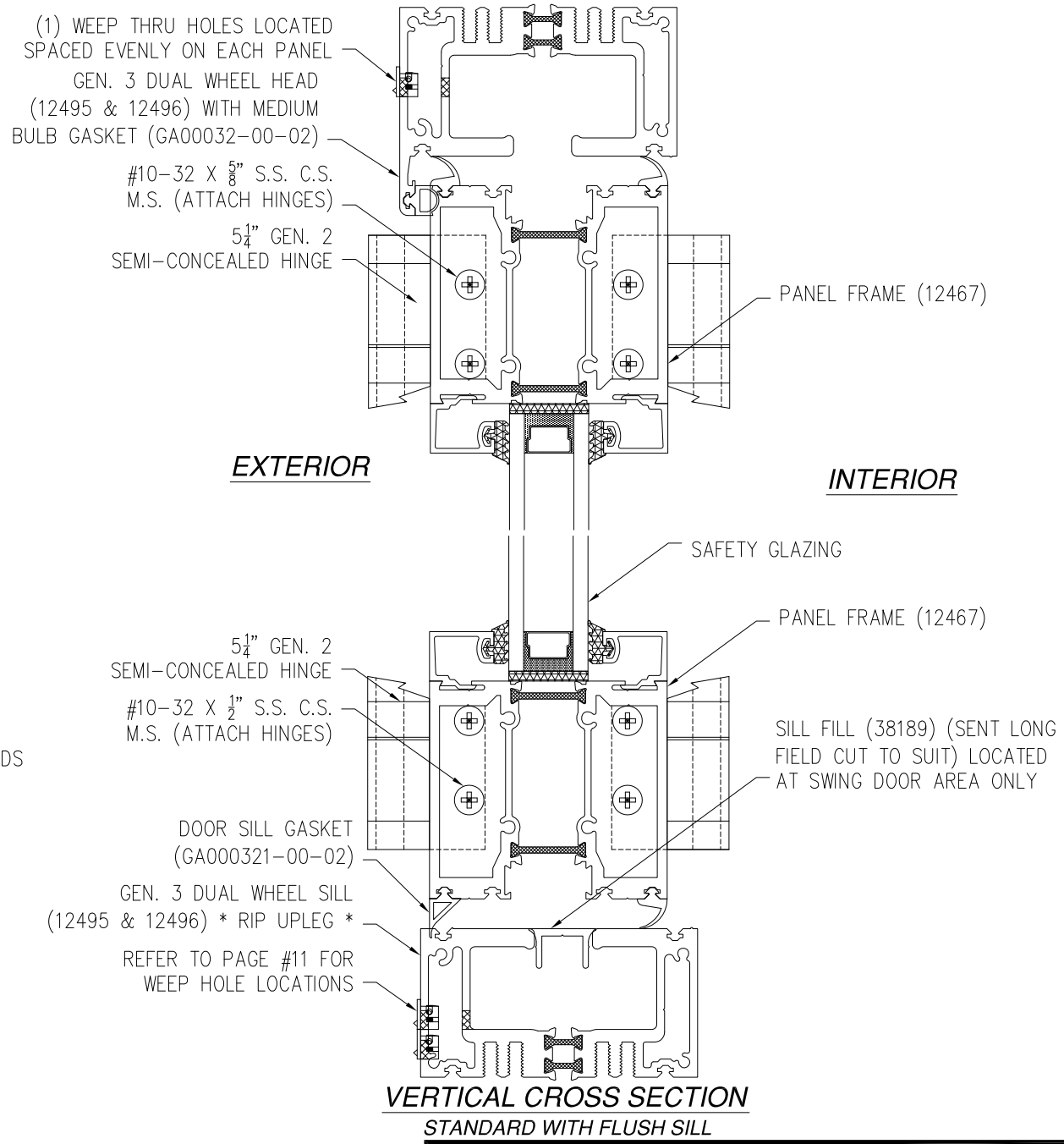
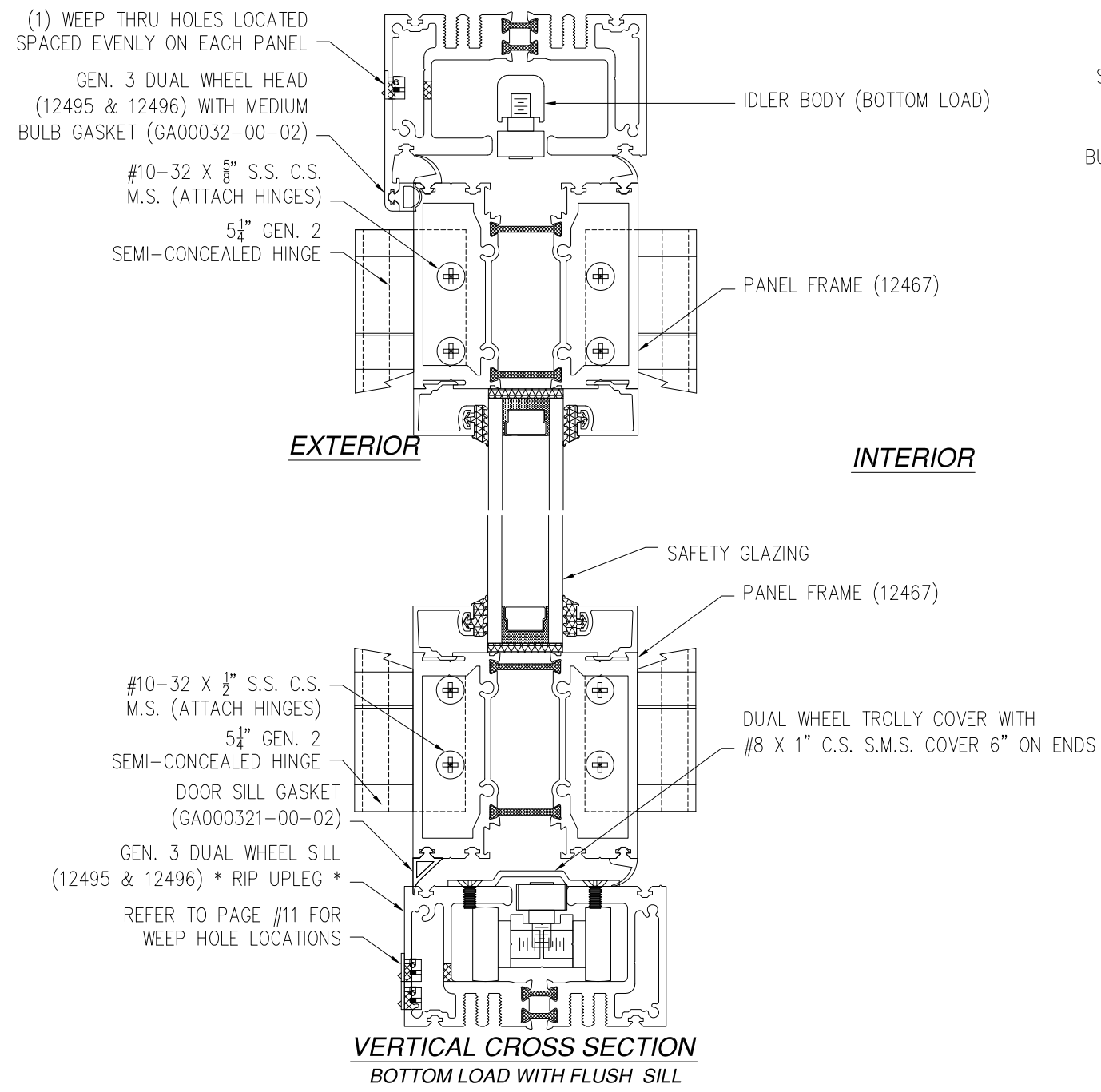
DRAWN: A.R.	DWG NO. 08-03486	REV -
SCALE NTS	DATE 03/31/2021	SHEET 6 OF 12

L. ROBERTO LOMAS P.E.  
1432 WOODFORD RD LEWISVILLE, NC 27023  
434-688-0609 rllomas@rlomaspe.com



Luis R. Lomas P.E.  
TX No.: 101889  
Firm No: F-23130

REVISIONS			
REV	DESCRIPTION	DATE	APPROVED



SIGNED: 01/07/2022

SOLAR INNOVATIONS, INC.  
31 ROBERTS RD  
PINE GROVE, PA 17963

SERIES SI3000 LITE RAIL IN/OUT ALUMINUM FGW  
NON-IMPACT  
IN SWING VERTICAL CROSS SECTIONS

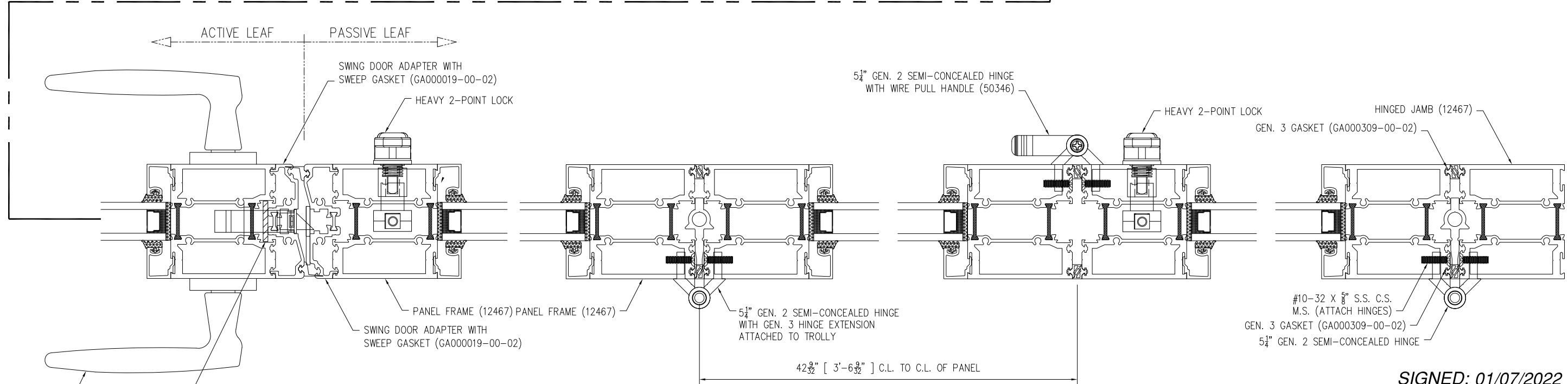
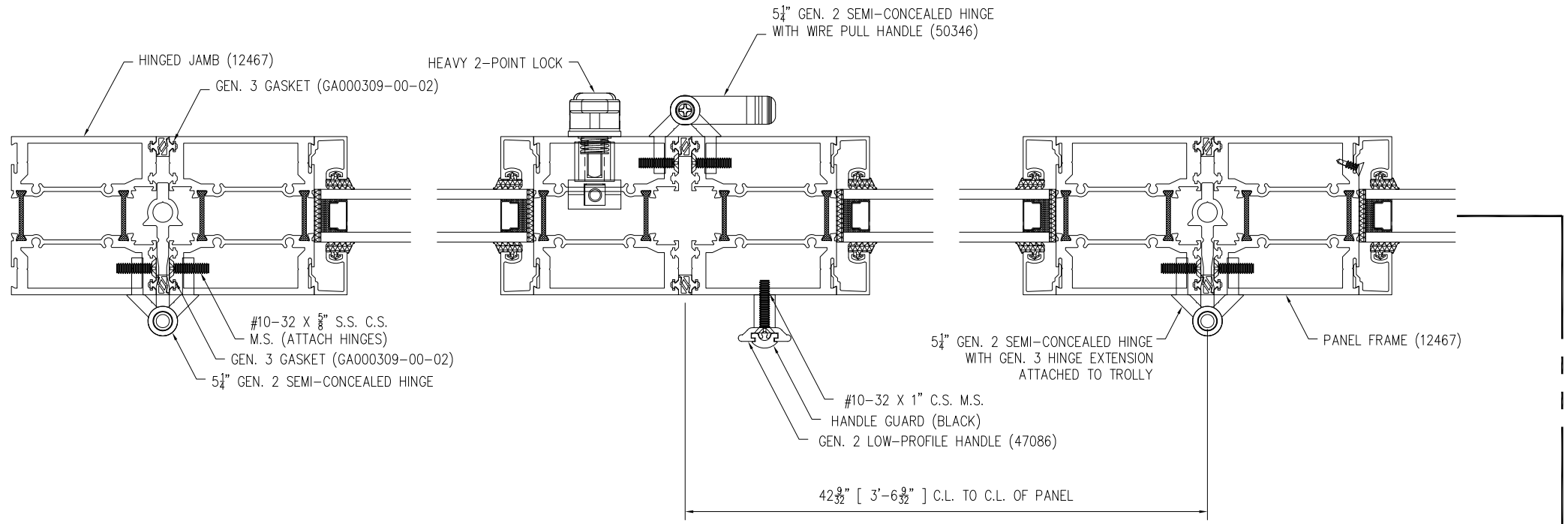
DRAWN: A.R.	DWG NO. 08-03486	REV -
SCALE NTS	DATE 03/31/2021	SHEET 7 OF 12

L. ROBERTO LOMAS P.E.  
1432 WOODFORD RD LEWISVILLE, NC 27023  
434-688-0609 rllomas@rlomaspe.com



Luis R. Lomas P.E.  
TX No.: 101889  
Firm No: F-23130

REVISIONS			
REV	DESCRIPTION	DATE	APPROVED



"TORONTO" SWING DOOR LEVER  
 1/8" X 1 1/16" ALUMINUM SHIM ATTACHED  
 WITH #8 X 1 1/2" COUNTERSUNK S.M.S.

**HORIZONTAL CROSS SECTION**  
**OUTSWING SHOWN, INSWING SIMILAR**

SIGNED: 01/07/2022

SOLAR INNOVATIONS, INC.  
 31 ROBERTS RD  
 PINE GROVE, PA 17963

SERIES SI3000 LITE RAIL IN/OUT ALUMINUM FGW  
 NON-IMPACT  
 HORIZONTAL CROSS SECTION

DRAWN: A.R.	DWG NO. 08-03486	REV -
SCALE NTS	DATE 03/31/2021	SHEET 8 OF 12

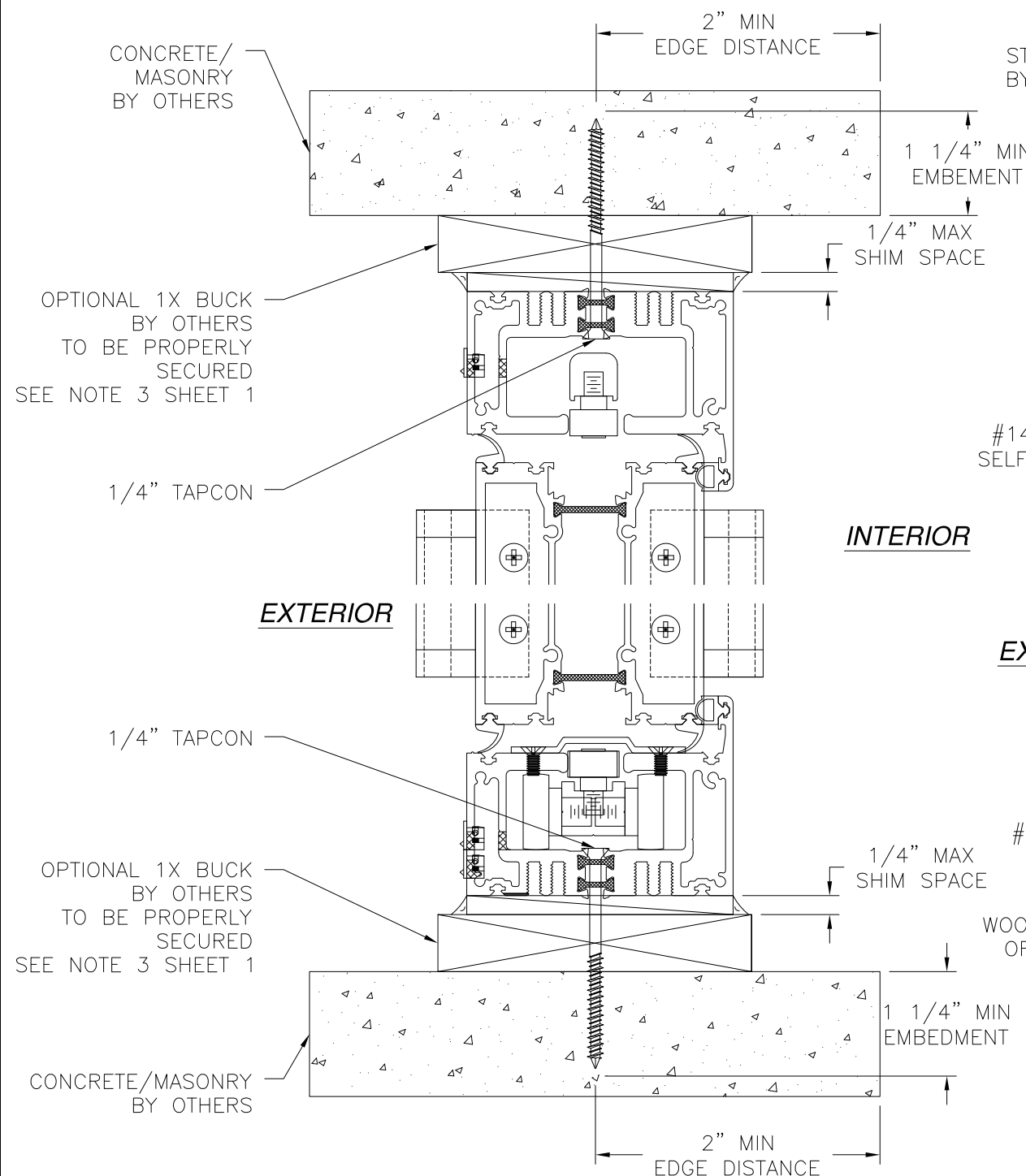
L. ROBERTO LOMAS P.E.  
 1432 WOODFORD RD LEWISVILLE, NC 27023  
 434-688-0609 rllomas@rlomaspe.com



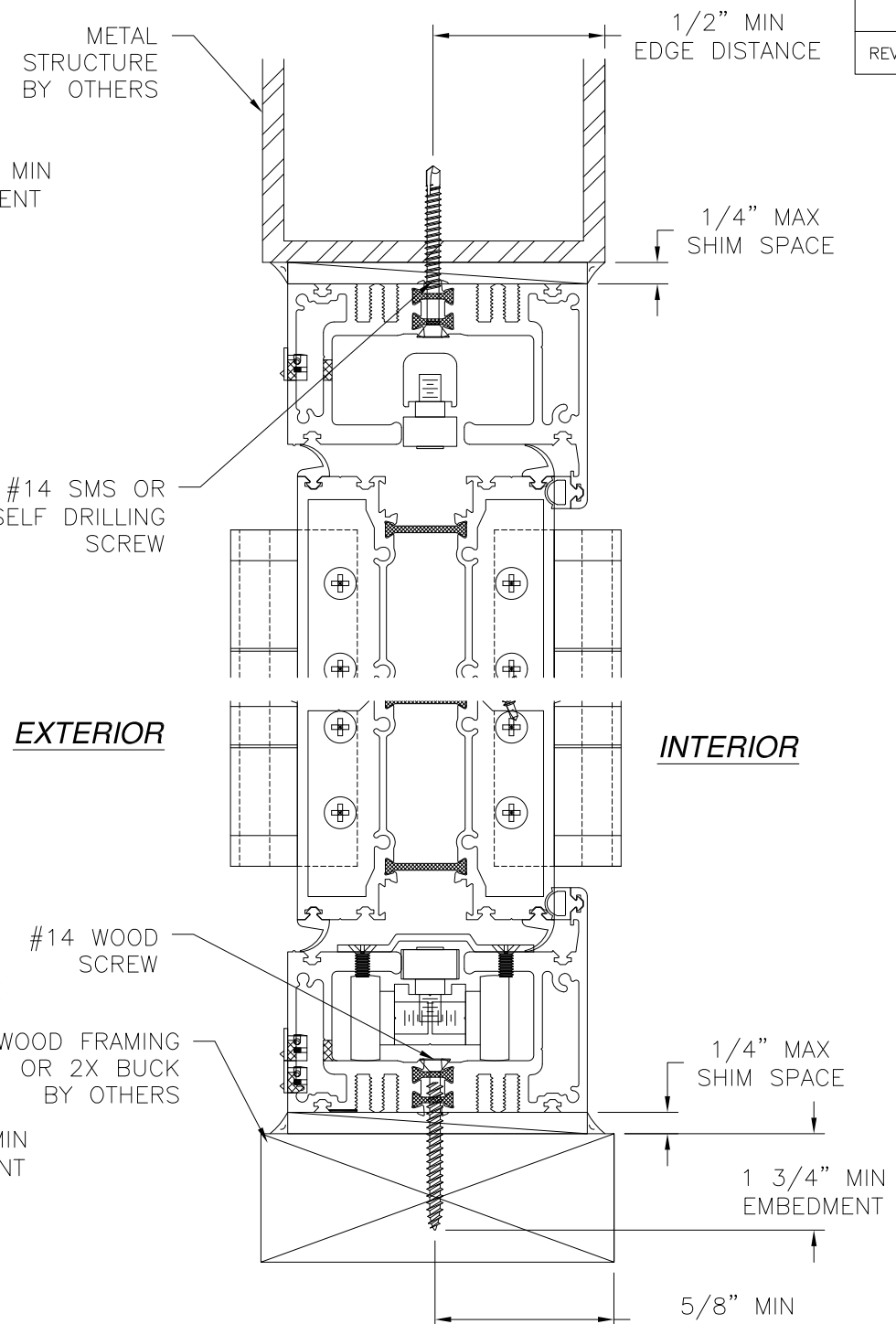
Luis R. Lomas P.E.  
 TX No.: 101889  
 Firm No: F-23130



REVISIONS			
REV	DESCRIPTION	DATE	APPROVED



**VERTICAL CROSS SECTION**  
 CONCRETE/MASONRY INSTALLATION  
 OUTSWING SHOWN, INSWING SIMILAR



**VERTICAL CROSS SECTION**  
 WOOD FRAMING OR 2X BUCK  
 OR METAL STRUCTURE INSTALLATION  
 OUTSWING SHOWN, INSWING SIMILAR

- NOTES:**
1. INTERIOR AND EXTERIOR FINISHES, BY OTHERS, NOT SHOWN FOR CLARITY.
  2. PERIMETER AND JOINT SEALANT BY OTHERS TO BE DESIGNED IN ACCORDANCE WITH ASTM E2112

SIGNED: 01/07/2022

**SOLAR INNOVATIONS, INC.**  
 31 ROBERTS RD  
 PINE GROVE, PA 17963

SERIES SI3000 LITE RAIL IN/OUT ALUMINUM FGW  
 NON-IMPACT  
 INSTALLATION DETAILS

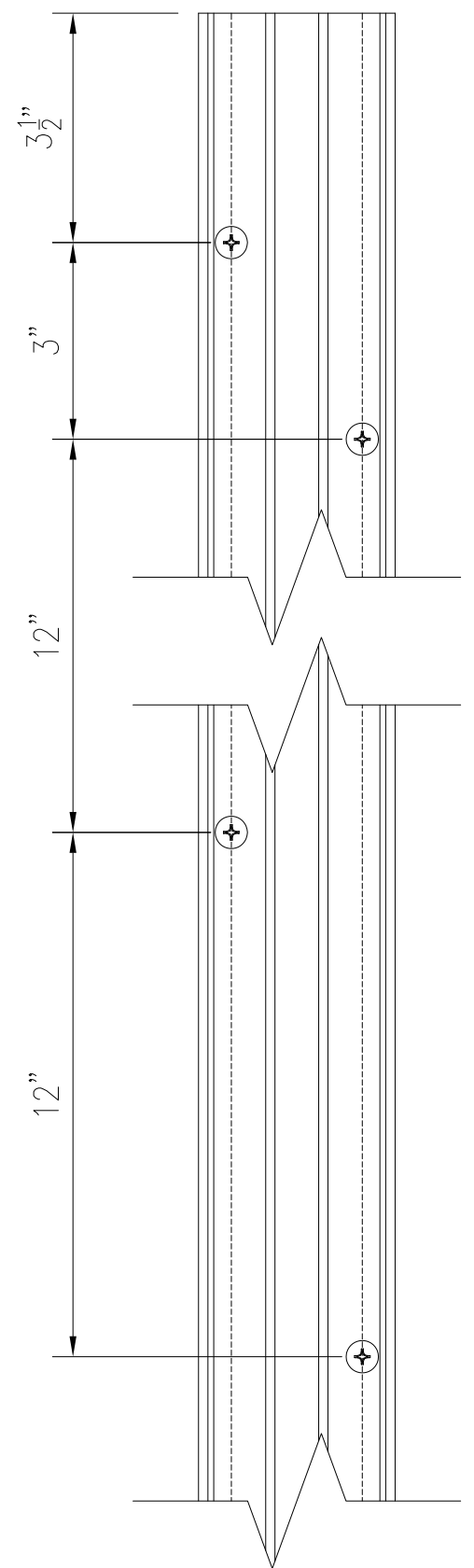
DRAWN: A.R.	DWG NO. 08-03486	REV -
SCALE NTS	DATE 03/31/2021	SHEET 9 OF 12

L. ROBERTO LOMAS P.E.  
 1432 WOODFORD RD LEWISVILLE, NC 27023  
 434-688-0609 rllomas@rlomaspe.com

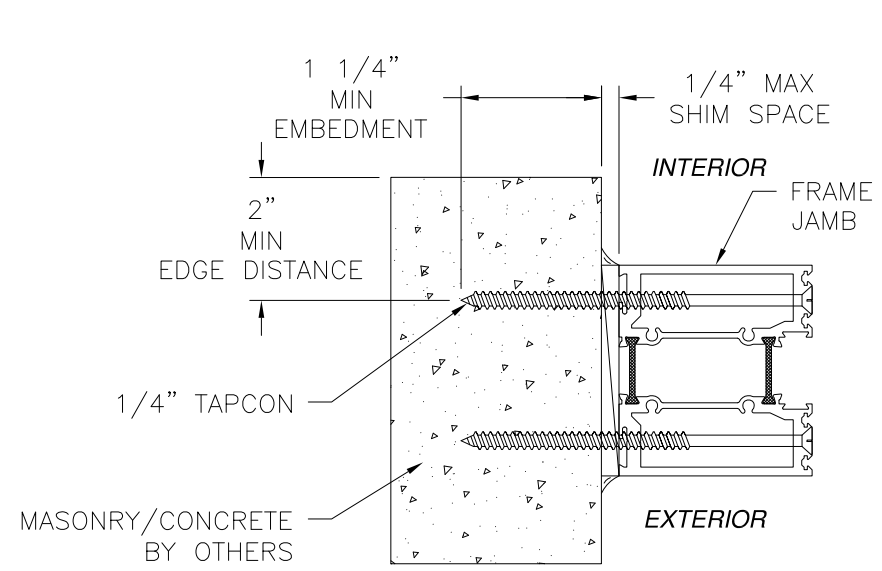


Luis R. Lomas P.E.  
 TX No.: 101889  
 Firm No: F-23130

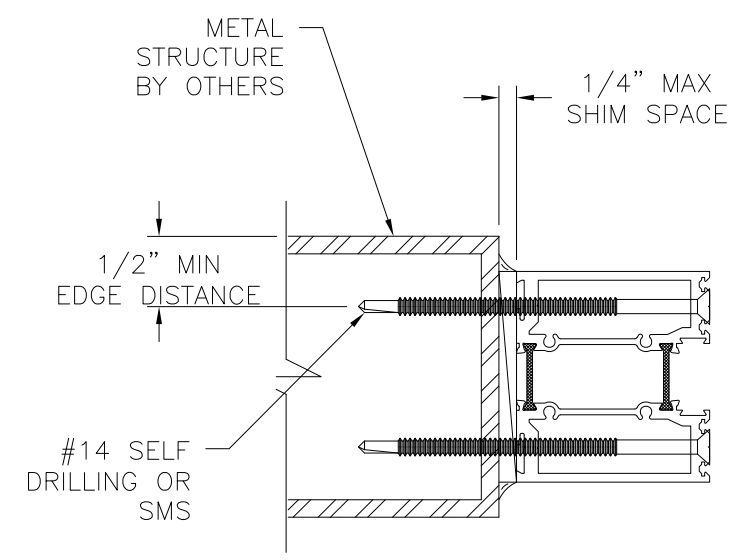
REVISIONS			
REV	DESCRIPTION	DATE	APPROVED



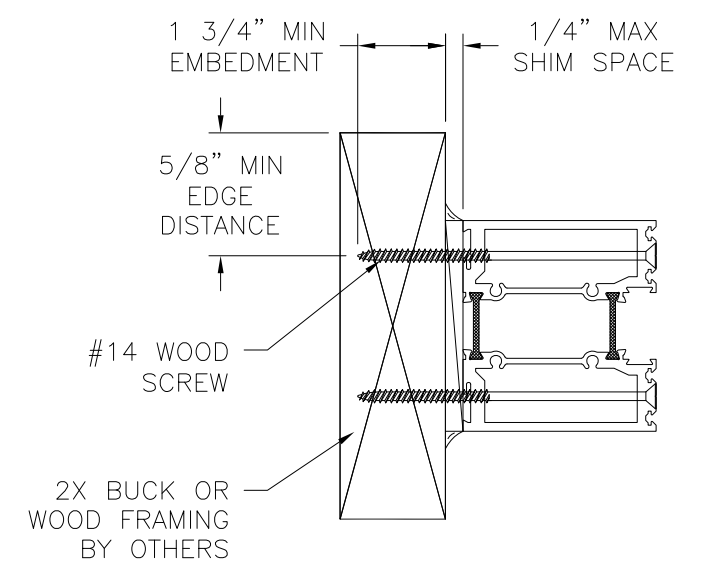
**JAMB ANCHOR LOCATIONS  
DETAIL**



**JAMB INSTALLATION DETAIL  
MASONRY/CONCRETE**



**JAMB INSTALLATION DETAIL  
METAL STRUCTURE**



**JAMB INSTALLATION DETAIL  
2X BUCK OR WOOD FRAMING**

- NOTES:**
1. INTERIOR AND EXTERIOR FINISHES, BY OTHERS, NOT SHOWN FOR CLARITY.
  2. PERIMETER AND JOINT SEALANT BY OTHERS TO BE DESIGNED IN ACCORDANCE WITH ASTM E2112

SIGNED: 01/07/2022

SOLAR INNOVATIONS, INC.  
31 ROBERTS RD  
PINE GROVE, PA 17963

SERIES SI3000 LITE RAIL IN/OUT ALUMINUM FGW  
NON-IMPACT  
INSTALLATION DETAILS

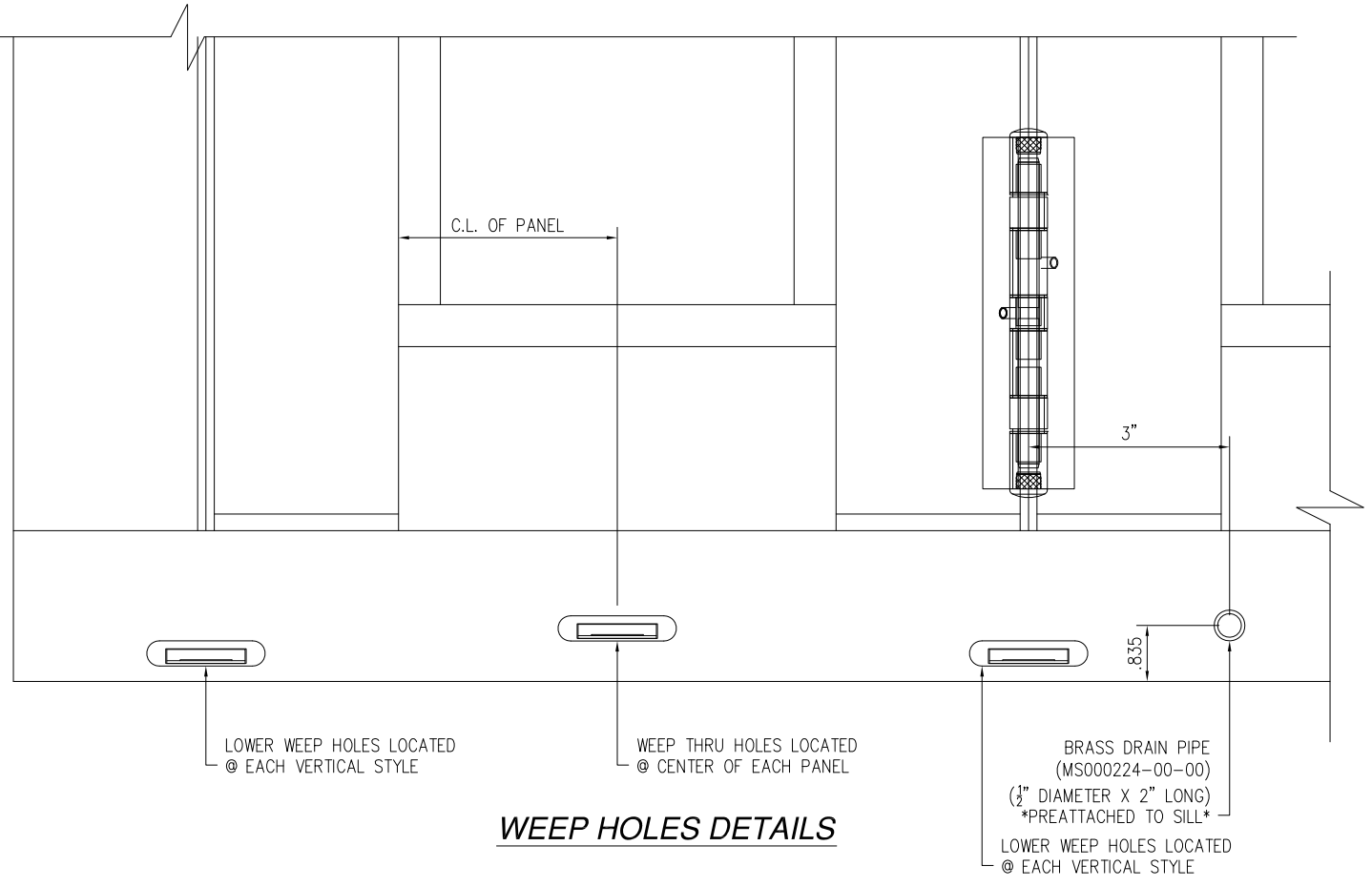
DRAWN: A.R.	DWG NO. 08-03486	REV -
SCALE NTS	DATE 03/31/2021	SHEET 10 OF 12

L. ROBERTO LOMAS P.E.  
1432 WOODFORD RD LEWISVILLE, NC 27023  
434-688-0609 rllomas@rlomaspe.com

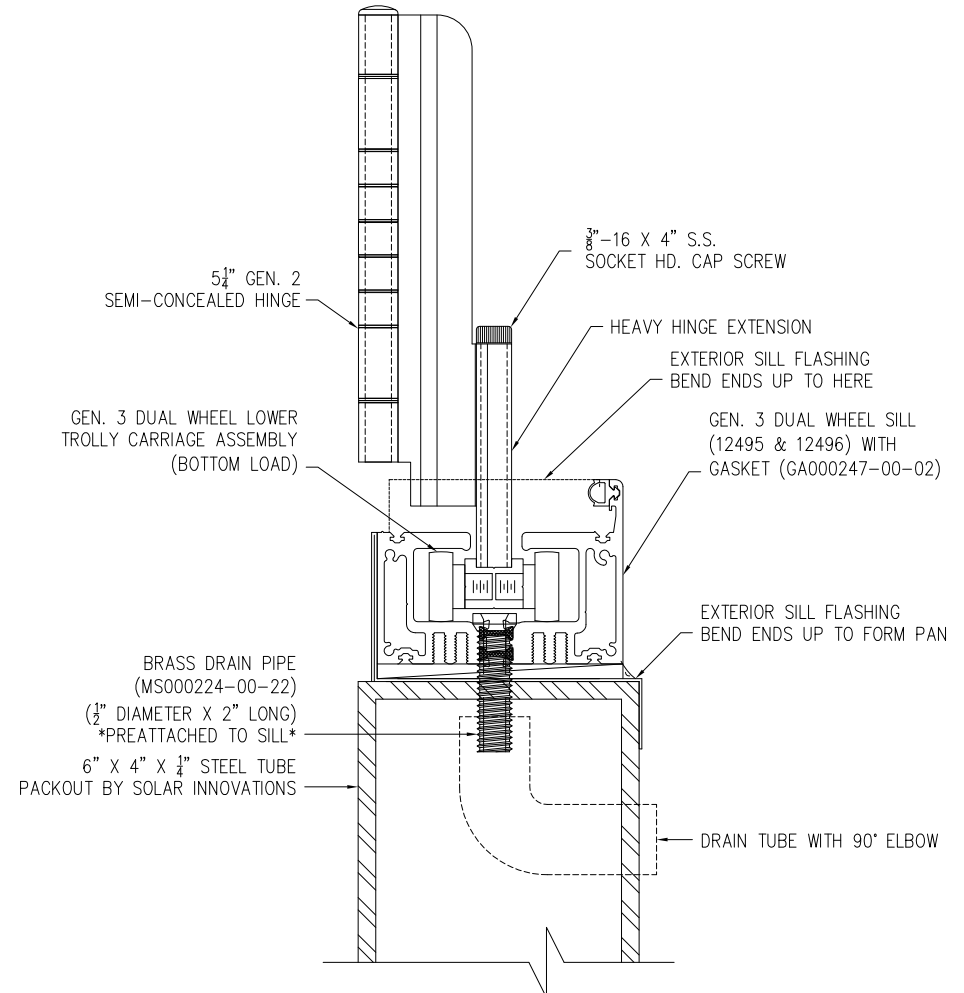


Luis R. Lomas P.E.  
TX No.: 101889  
Firm No: F-23130

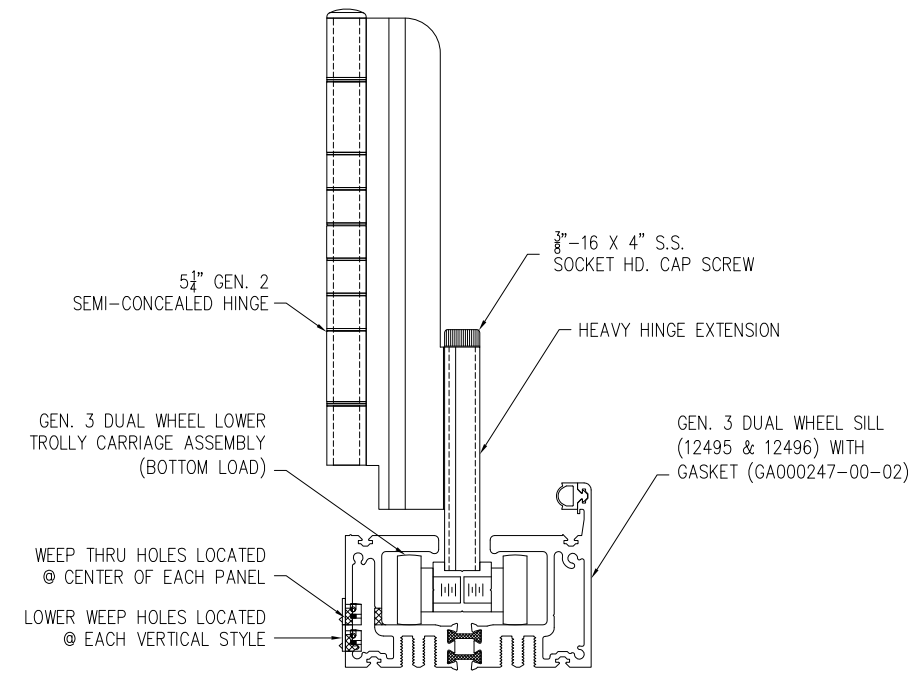
REVISIONS			
REV	DESCRIPTION	DATE	APPROVED



**WEEP HOLES DETAILS**



**DRAIN PIPE AND HINGE EXTENSION DETAIL**



**WEEP HOLES AND HINGE EXTENSION DETAIL**

SIGNED: 01/07/2022

SOLAR INNOVATIONS, INC.  
 31 ROBERTS RD  
 PINE GROVE, PA 17963

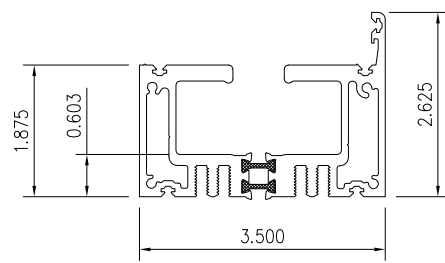
SERIES SI3000 LITE RAIL IN/OUT ALUMINUM FGW  
 NON-IMPACT  
 WEEP HOLES DETAILS

DRAWN: A.R.	DWG NO. 08-03486	REV -
SCALE NTS	DATE 03/31/2021	SHEET 11 OF 12

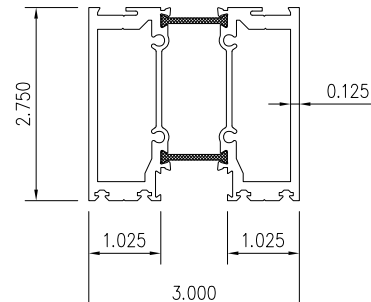
L. ROBERTO LOMAS P.E.  
 1432 WOODFORD RD LEWISVILLE, NC 27023  
 434-688-0609 rllomas@rlomaspe.com



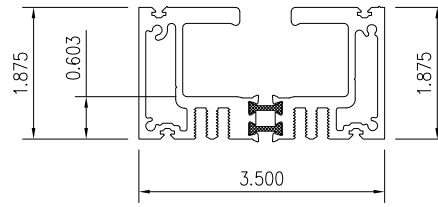
Luis R. Lomas P.E.  
 TX No.: 101889  
 Firm No: F-23130



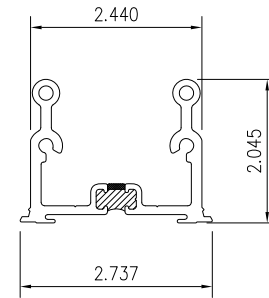
DUAL WHEEL  
HEAD / SILL



FRAME

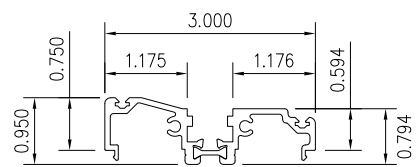


FLUSH  
SILL

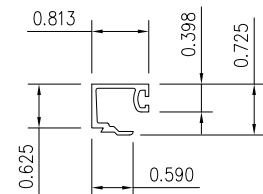


FRAME  
LUG

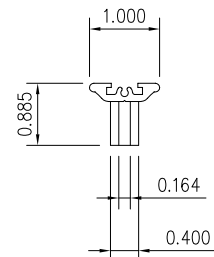
REVISIONS			
REV	DESCRIPTION	DATE	APPROVED



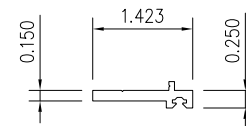
3rd GENERATION  
DOOR ADAPTOR



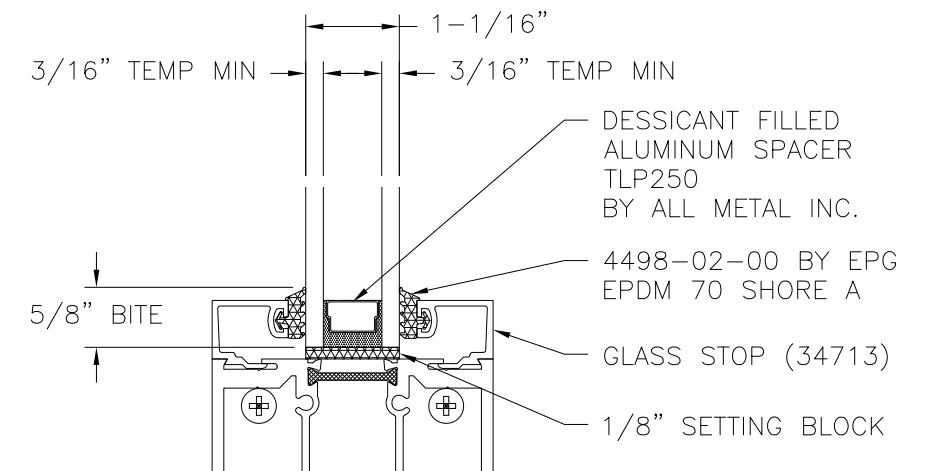
1/4" GLASS  
STOP



2nd GENERATION  
HANDLE



FRAME  
CAP



3/16" TEMP MIN →      1-1/16"      3/16" TEMP MIN

DESSICANT FILLED ALUMINUM SPACER TLP250 BY ALL METAL INC.

4498-02-00 BY EPG EPDM 70 SHORE A

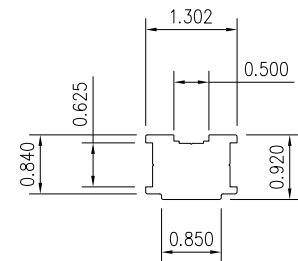
5/8" BITE

GLASS STOP (34713)

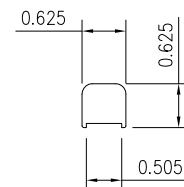
1/8" SETTING BLOCK

**GLAZING DETAIL**

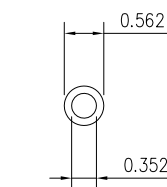
3/16" TEMP IG SHOWN THICKER GLASSES AND LAMINATED GLASSES ARE ALSO APPROVED



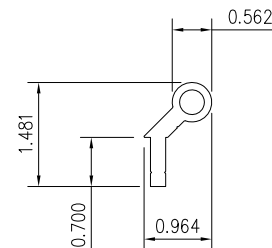
TROLLEY  
BODY



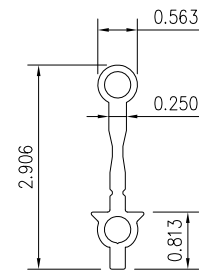
IDLER  
BODY



HINGE  
BARREL



5 1/4" SEMI-  
CONCEALED HINGE



HINGE  
EXTENSION

SIGNED: 01/07/2022

SOLAR INNOVATIONS, INC.

31 ROBERTS RD  
PINE GROVE, PA 17963

SERIES SI3000 LITE RAIL IN/OUT ALUMINUM FGW  
NON-IMPACT  
COMPONENTS

DRAWN: A.R.	DWG NO. 08-03486	REV -
SCALE NTS	DATE 03/31/2021	SHEET 12 OF 12

L. ROBERTO LOMAS P.E.  
1432 WOODFORD RD LEWISVILLE, NC 27023  
434-688-0609 rllomas@rlomaspe.com



Luis R. Lomas P.E.  
TX No.: 101889  
Firm No: F-23130