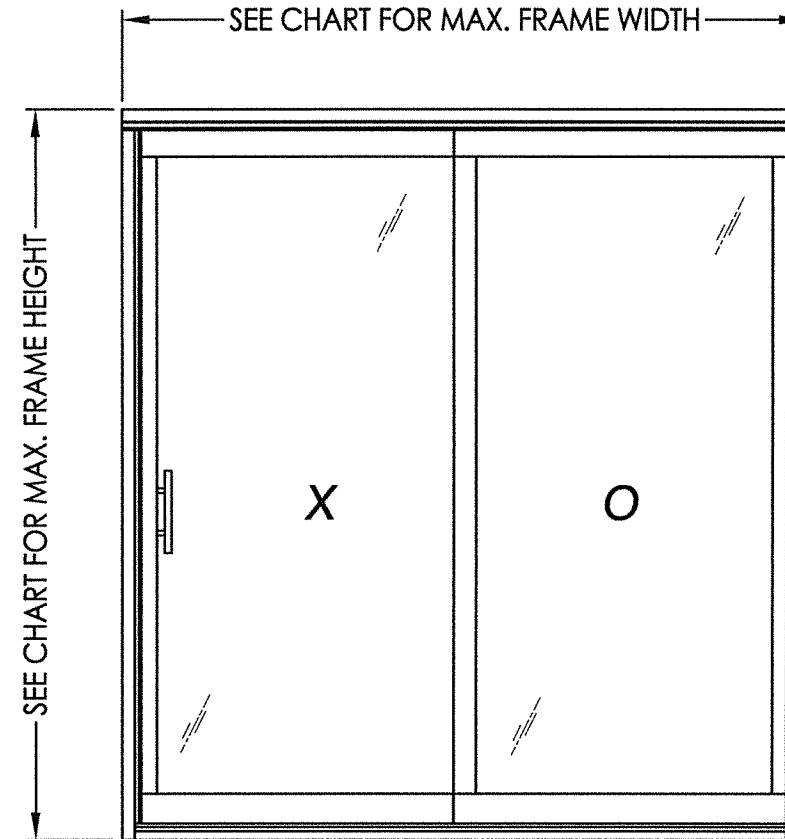


SERIES 6100 - MODEL 6105/6106/6175
SERIES 8100 - MODEL 8105/8106/8175
SERIES 9100 - MODEL 9105/9106/9175

**EXTRUDED VINYL
SLIDING PATIO DOORS
"NON-IMPACT"**



EVALUATED FOR USE IN THE STATE OF TEXAS

The Sliding Patio Door described herein complies with the 2018 International Residential Code (IRC), Sections R301 & R609 and the 2018 International Building Code (IBC), Sections 1404.13, 1609, 1709.5, 2403 and 2404 subject to the following conditions:

1. Anchors shall be as listed and spaced as shown in the details. Anchor embedment to base material shall be beyond wall dressing or stucco.
2. When used in areas requiring wind-borne debris protection this product is required to be protected with an impact resistant covering that complies with Section R301.2.1.2 of the IRC and Section 1609.2 of the IBC.
3. Allowable design pressure requirements must be equal to or less than the design pressure rating shown in the design pressure chart, sheet 1 of this drawing.
4. Conditions not covered by this drawing are subject to further engineering analysis.

TABLE OF CONTENTS

SHEET#	DESCRIPTION
1	Typical elevation, design pressures & general notes
2	Horizontal cross section
3	Vertical cross sections
4	Frame anchoring
5	Bill of materials, glazing details & components

TYPE	OVERALL FRAME DIMENSION	MAX. PANEL DIMENSION	MAX. D.L.O. DIMENSION	DESIGN PRESSURE (PSF)	
				POSITIVE	NEGATIVE
w/out SILL RISER	71.0" x 80.0"	35.37" x 76.37"	30.67" x 69.87"	+30.0	-40.0
w/ SILL RISER	71.0" x 80.0"	35.37" x 76.37"	30.67" x 69.87"	+35.0	-40.0

Documents Prepared By: Lyndon F. Schmidt, P.E.
TEXAS P.E. #104123

RW BUILDING CONSULTANTS, INC.
P.O. Box 230 Valrico FL 33595
Phone No.: 813.659.9197

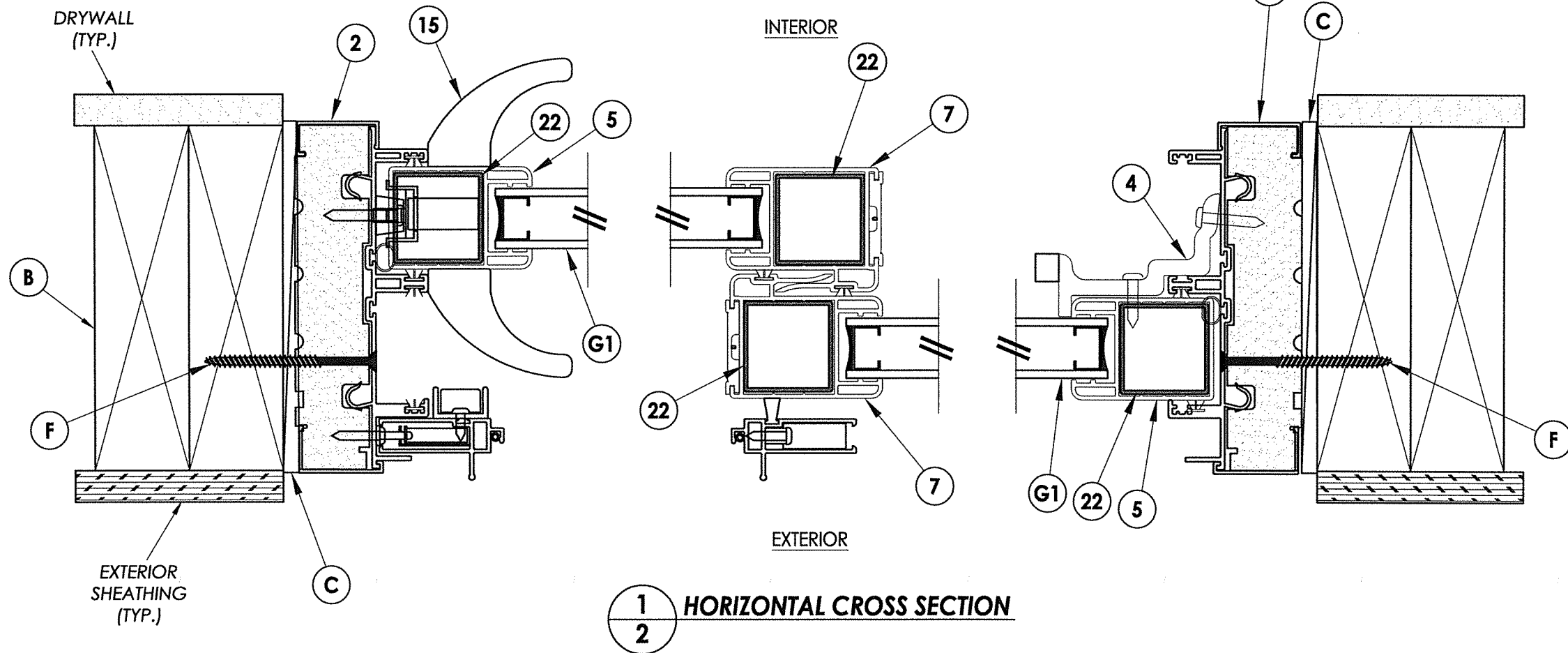
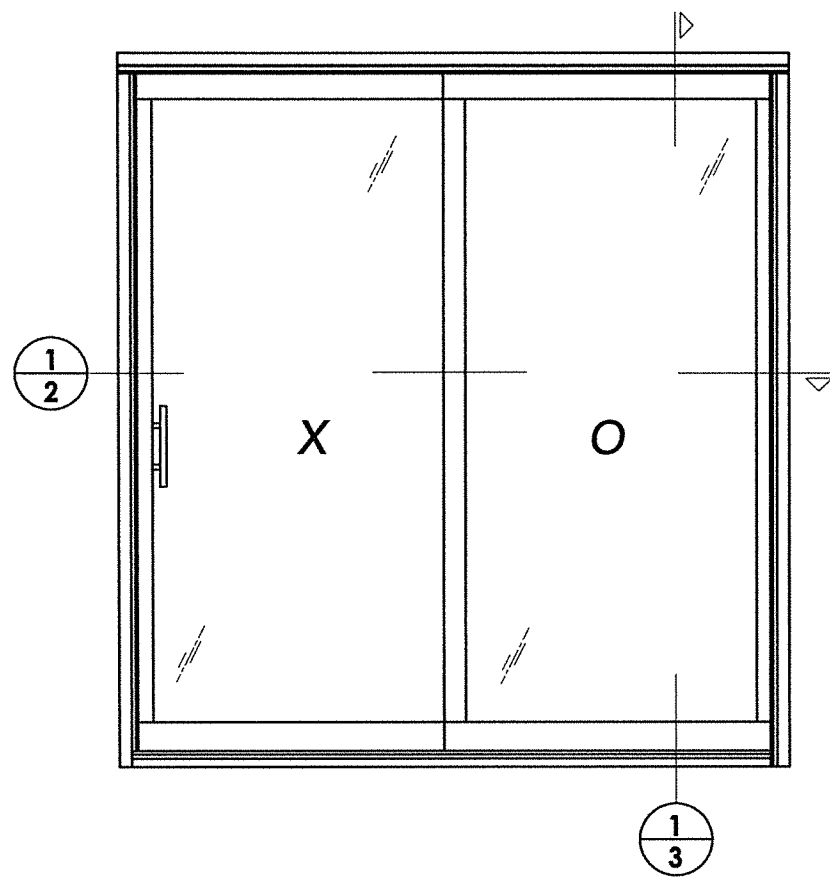
TEXAS BOARD OF PROFESSIONAL ENGINEERS
CERTIFICATE OF REGISTRATION # F-11852

PRODUCT: EXTRUDED VINYL SLIDING PATIO DOORS

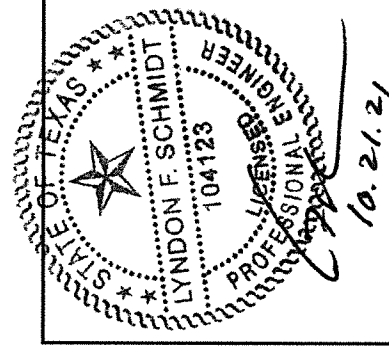
PART OR ASSEMBLY: TYPICAL ELEVATION, DESIGN PRESSURES & GENERAL NOTES

NO.	DATE	BY	REVISIONS

DATE: 10/20/21
SCALE: N.T.S.
DWG. BY: RW
CHK. BY: LFS
DRAWING NO.: TX-5254
SHEET 1 OF 5



1
2 **HORIZONTAL CROSS SECTION**



Documents Prepared By: Lyndon F. Schmidt, P.E.
TEXAS P.E. #104123

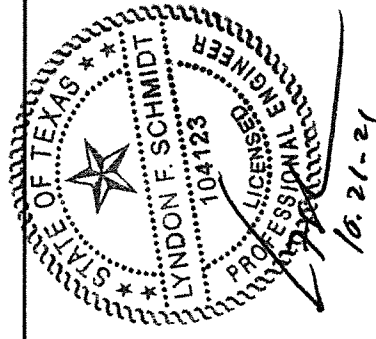
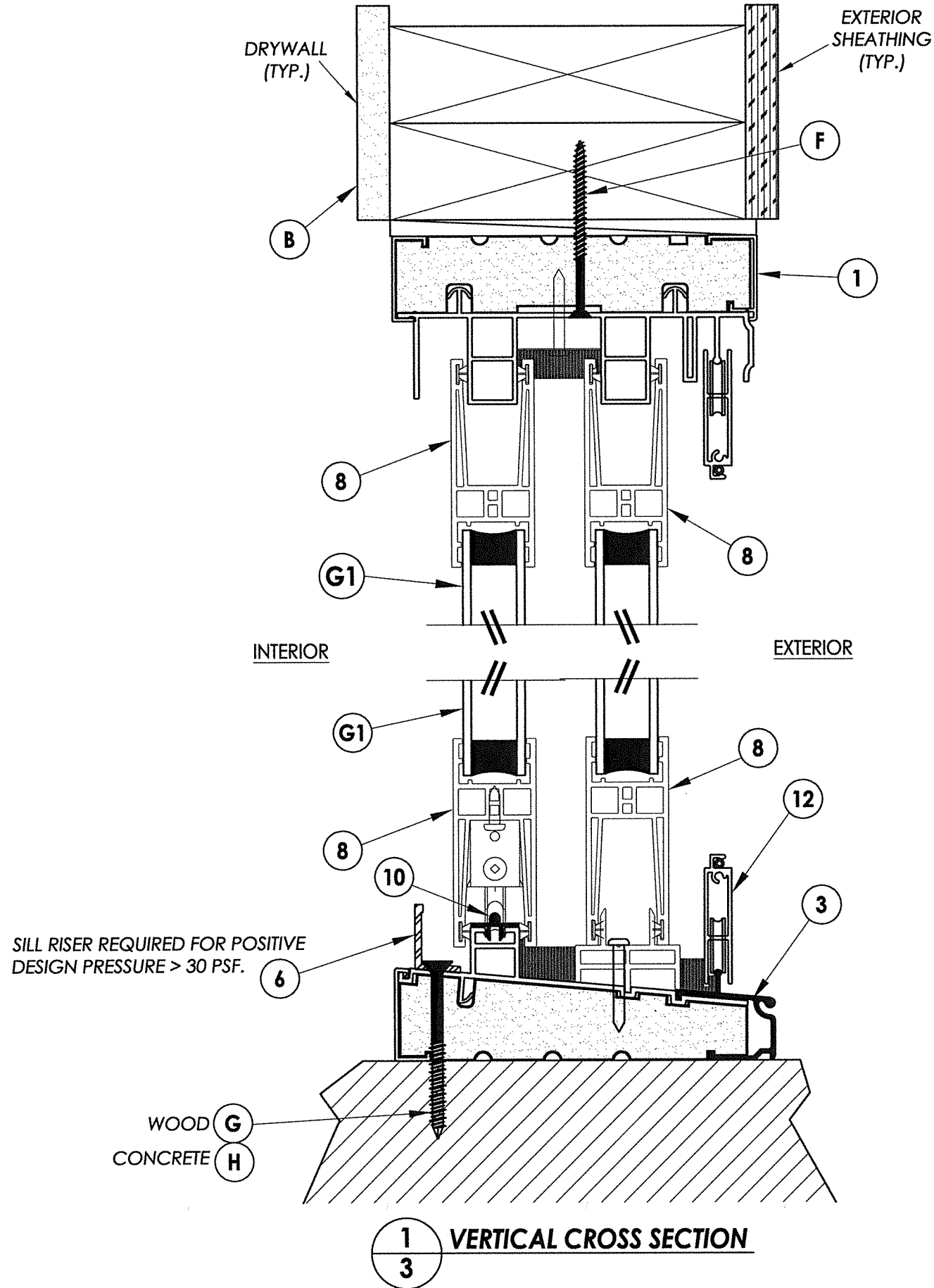
RW BUILDING CONSULTANTS, INC.
P.O. Box 230 Valrico FL 33595
Phone No.: 813.659.9197

TEXAS BOARD OF PROFESSIONAL ENGINEERS
CERTIFICATE OF REGISTRATION # F-11852

PRODUCT: **EXTRUDED VINYL SLIDING PATIO DOORS**
PART OR ASSEMBLY: **HORIZONTAL CROSS SECTIONS**

NO.	DATE	BY

DATE: 10/20/21
SCALE: N.T.S.
DWG. BY: RW
CHK. BY: LFS
DRAWING NO.: TX-5254
SHEET 2 of 5



Documents Prepared By: Lyndon F. Schmidt, P.E.
TEXAS P.E. #104123

RW BUILDING CONSULTANTS, INC.
P.O. Box 230 Valrico FL 33595
Phone No.: 813.659.9197

TEXAS BOARD OF PROFESSIONAL ENGINEERS
CERTIFICATE OF REGISTRATION # F-11852

PRODUCT: EXTRUDED VINYL SLIDING PATIO DOORS

PART OR ASSEMBLY: VERTICAL CROSS SECTIONS

NO.	DATE	BY

DATE: 10/20/21

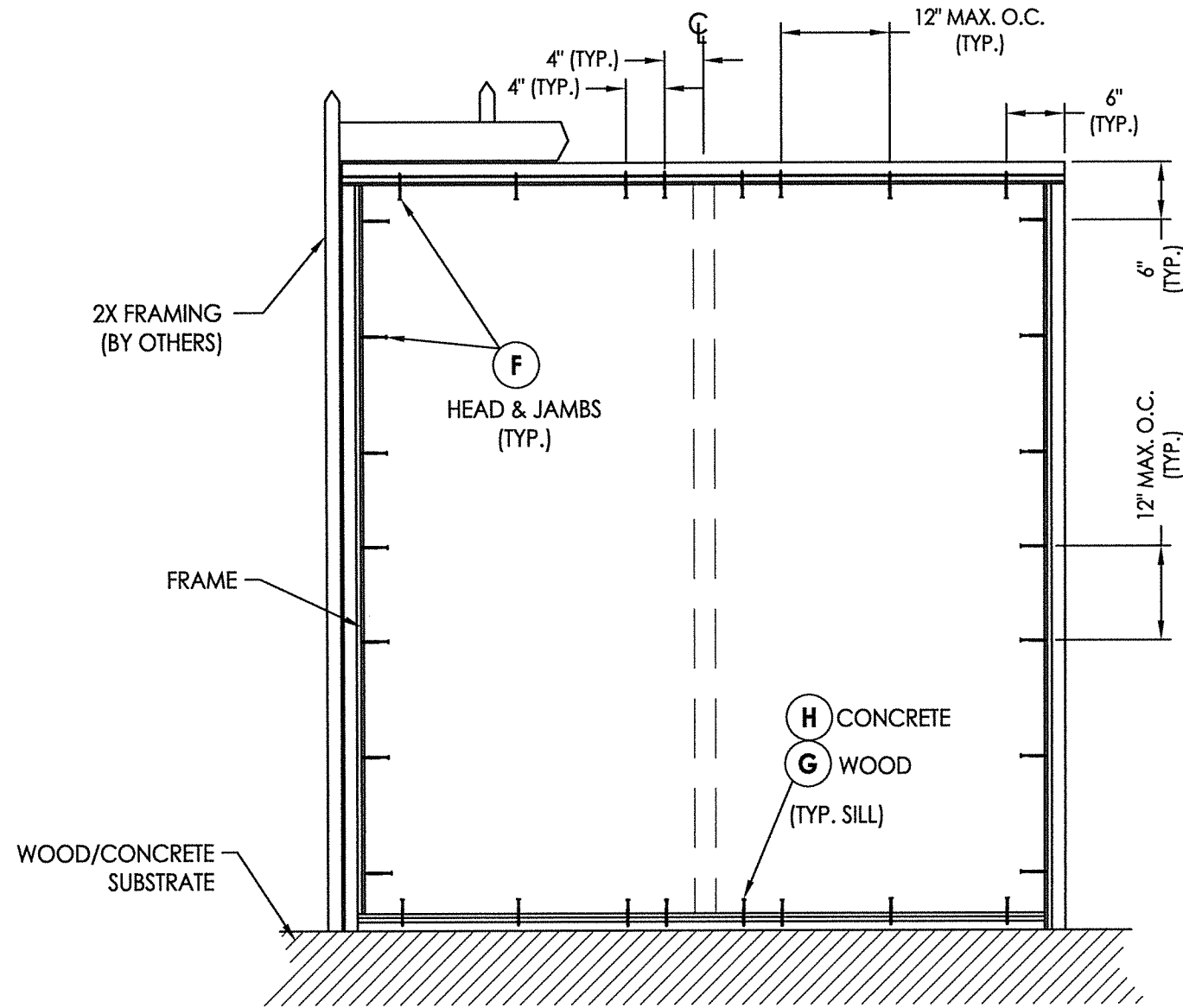
SCALE: N.T.S.

DWG. BY: RW

CHK. BY: LFS

DRAWING NO.: TX-5254

SHEET 3 OF 5

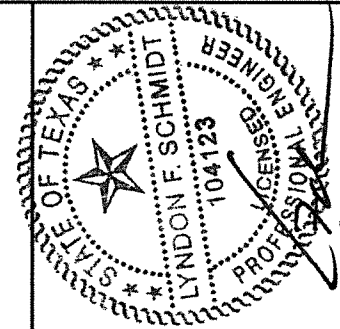


FRAME ANCHORING

CONCRETE ANCHOR NOTES:

1. Concrete anchor locations at the corners may be adjusted to maintain the min. edge distance to mortar joints.
2. Concrete anchor locations noted as "MAX. ON CENTER" must be adjusted to maintain the min. edge distance to mortar joints, additional concrete anchors may be required to ensure the "MAX. ON CENTER" dimension are not exceeded.
3. Concrete anchor table:

ANCHOR TYPE	ANCHOR SIZE	MIN. EMBEDMENT	MIN. CLEARANCE TO MASONRY EDGE	MIN. CLEARANCE TO ADJACENT ANCHOR
ITW TAPCON®	1/4"	1-3/4"	3"	4"
DeWALT ULTRACON+®	1/4"	1-3/4"	2-1/2"	3"



Documents Prepared By: Lyndon F. Schmidt, P.E.
TEXAS P.E. #104123

RW BUILDING CONSULTANTS, INC.
P.O. Box 230 Valrico FL 33595
Phone No.: 813.659.9197

TEXAS BOARD OF PROFESSIONAL ENGINEERS
CERTIFICATE OF REGISTRATION # F-11852

PRODUCT: EXTRUDED VINYL SLIDING PATIO DOORS
PART OR ASSEMBLY: FRAME ANCHORING

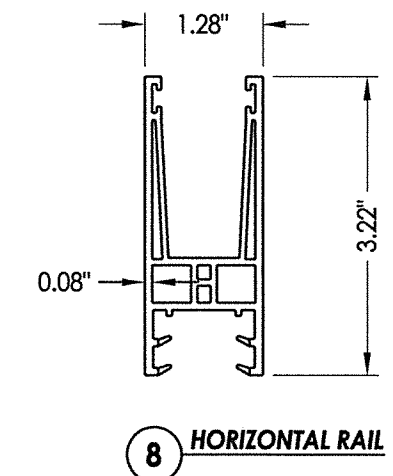
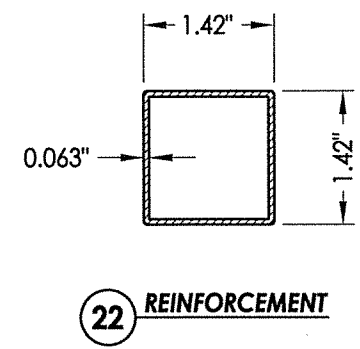
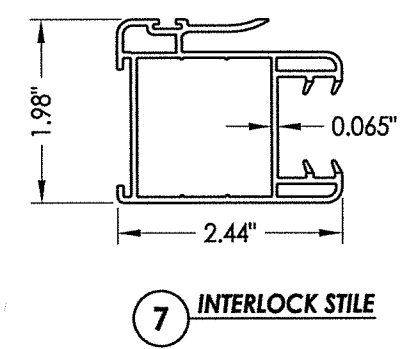
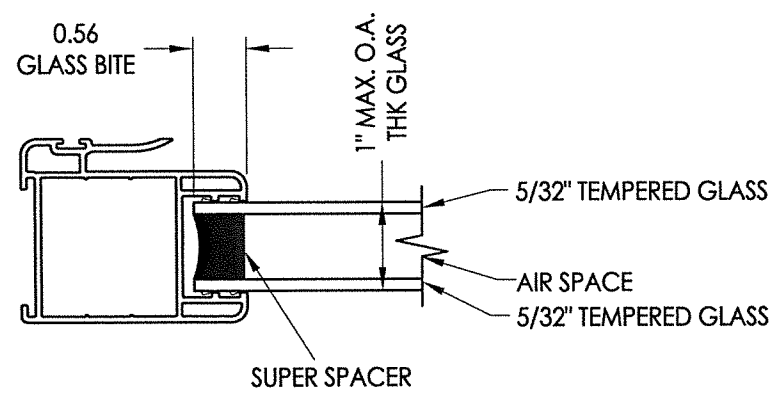
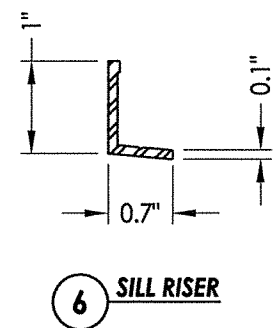
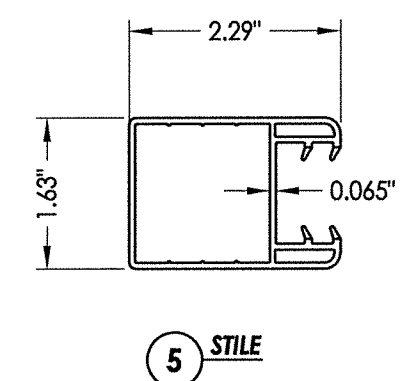
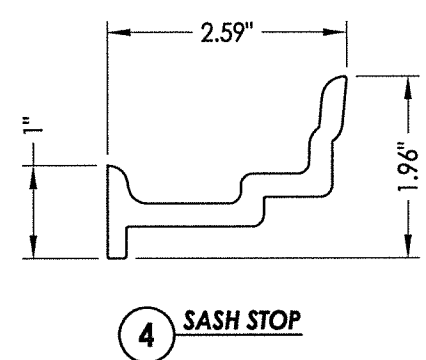
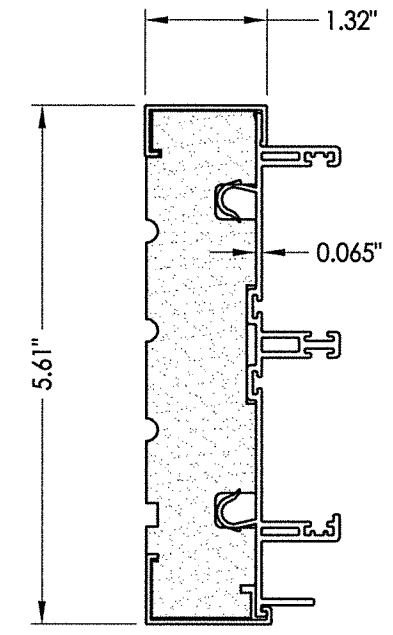
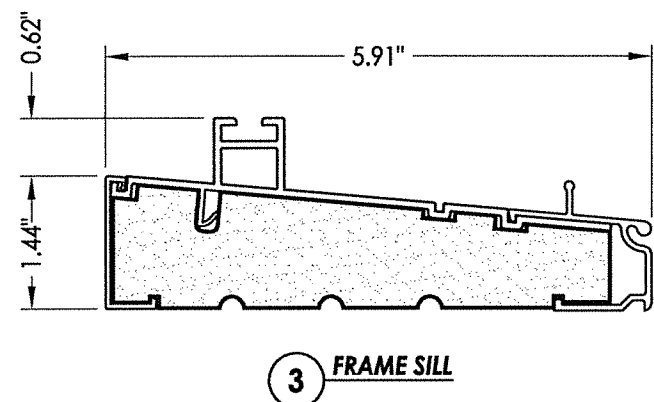
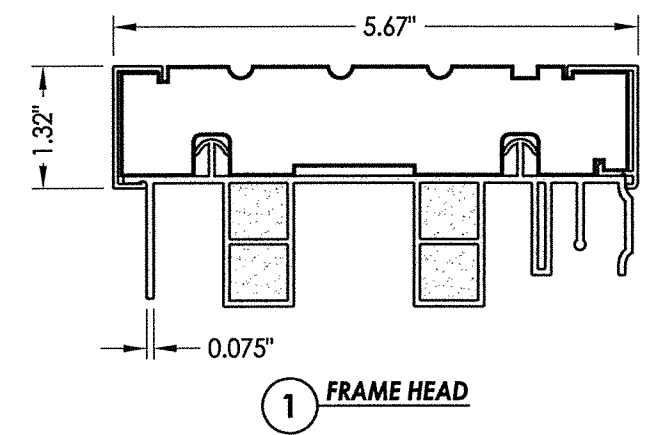
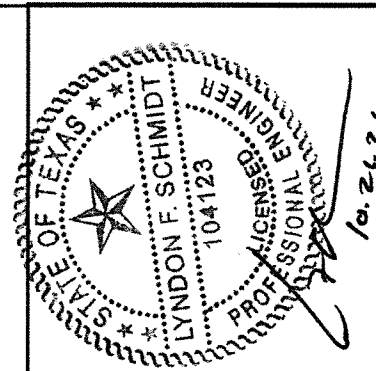
NO.	DATE	BY	REVISIONS

DATE: 10/20/21
SCALE: N.T.S.
DWG. BY: RW
CHK. BY: LFS
DRAWING NO.: TX-5254
SHEET 4 OF 5

Z:\Clients\Associated PERMANENT\B - Texas Dept of Ins\Sliding Glass Doors\DR-XXX 6100 Sliding Patio Doors N1C - Drawings\TX-5254.dwg

BILL OF MATERIALS		
ITEM #	DESCRIPTION	MATERIAL
B	2X FRAMING (SG >= 0.42)	WOOD
C	1/4" MAX. SHIM SPACE	-
F	#8 X 2-1/2" PFH WOOD SCREW (1-1/4" MIN. EMBEDMENT)	STEEL
G	#10 X 3" PFH WOOD SCREW (1-1/2" MIN. EMBEDMENT)	STEEL
H	1/4" PFH DeWALT OR ITW CONCRETE SCREW (1-3/4" MIN. EMBEDMENT)	STEEL
1	EXTRUDED VINYL FRAME HEAD (BY ROYAL) *	PVC / COMP.
2	EXTRUDED VINYL FRAME JAMB (BY ROYAL) *	PVC / COMP.
3	FRAME SILL (BY ROYAL) *	PVC / COMP.
4	SASH STOP (BY ROYAL) *	PVC
5	STILE (BY ROYAL) *	PVC
6	SILL RISER	ALUM
7	INTERLOCK STILE (BY ROYAL) *	PVC
8	HORIZONTAL RAIL (BY ROYAL) *	PVC
10	SLIDING PATIO DOOR ROLLER ASSEMBLY	-
12	ROLLING PATIO DOOR SCREEN	-
15	PULL HANDLE (AMESBURY)	-
22	STEEL STILE REINFORCEMENT (BY ROYAL)	STEEL

* THE APPROVED WHITE RIGID PVC EXTERIOR EXTRUSIONS FOR WINDOWS ARE TO BE PRODUCED BY EXTRUDERS LICENSEES IN "AAMA CERTIFICATION PROGRAMS FOR RIGID PVC EXTRUSIONS".



Documents Prepared By: Lyndon F. Schmidt, P.E.
TEXAS P.E. #104123

RW BUILDING CONSULTANTS, INC.
P.O. Box 230 Vairico FL 33595
Phone No.: 813.659.9197

TEXAS BOARD OF PROFESSIONAL ENGINEERS
CERTIFICATE OF REGISTRATION # F-11852

PRODUCT: EXTRUDED VINYL SLIDING PATIO DOORS

PART OR ASSEMBLY: BILL OF MATERIALS, GLAZING DETAIL & COMPONENTS

NO.	DATE	BY

REVISIONS

DATE: 10/20/21
SCALE: N.T.S.
DWG. BY: RW
CHK. BY: LFS
DRAWING NO.: TX-5254
SHEET 5 OF 5

© 2021 R.W. BUILDING CONSULTANTS INC.