

MODEL 11c9
EXTRUDED VINYL
SLIDING PATIO DOORS
w/ NAILING FIN
"NON-IMPACT"

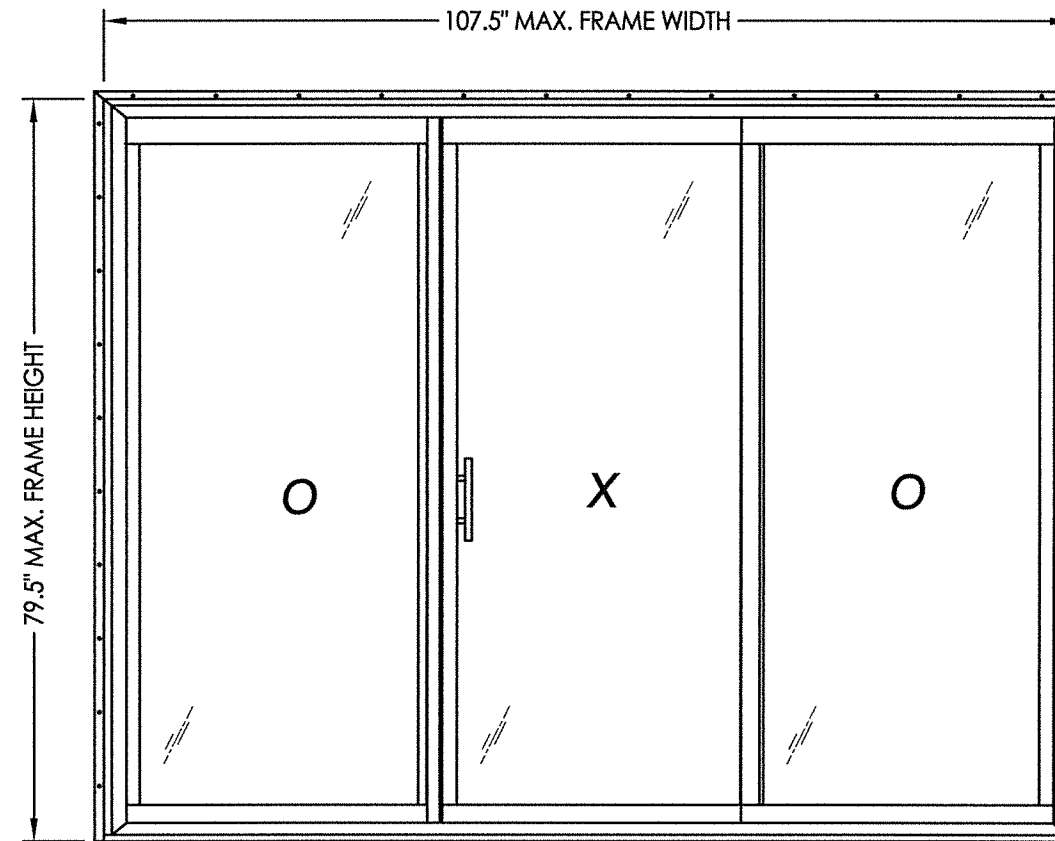
EVALUATED FOR USE IN THE STATE OF TEXAS

The Sliding Patio Door described herein complies with the 2018 International Residential Code (IRC), Sections R301 & R609 and the 2018 International Building Code (IBC), Sections 1404.13, 1609, 1709.5, 2403 and 2404 subject to the following conditions:

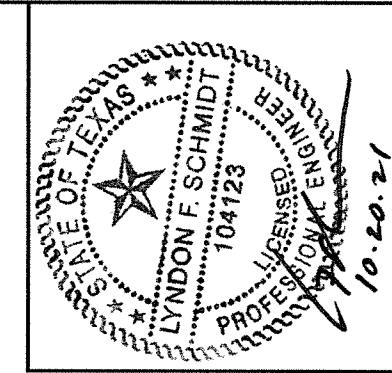
1. Anchors shall be as listed and spaced as shown in the details. Anchor embedment to base material shall be beyond wall dressing or stucco.
2. When used in areas requiring wind-borne debris protection this product is required to be protected with an impact resistant covering that complies with Section R301.2.1.2 of the IRC and Section 1609.2 of the IBC.
3. Allowable design pressure requirements must be equal to or less than the design pressure rating shown in the design pressure chart, sheet 1 of this drawing.
4. Conditions not covered by this drawing are subject to further engineering analysis.

TABLE OF CONTENTS

SHEET #	DESCRIPTION
1	Typical elevation, design pressures & general notes
2	Horizontal & vertical cross sections
3	Frame anchoring
4	Bill of materials, glazing detail & components



OVERALL FRAME DIMENSION	MAX. PANEL DIMENSION	MAX. D.L.O. DIMENSION	DESIGN PRESSURE (PSF)	
			POSITIVE	NEGATIVE
107.5" x 79.5"	37.5" x 76.5"	32.25" x 71.75"	+50.0	-50.0



Documents Prepared By: Lyndon F. Schmidt, P.E.
TEXAS P.E. #104123

RW BUILDING CONSULTANTS, INC.
P.O. Box 230 Valrico FL 33595
Phone No.: 813.659.9197

TEXAS BOARD OF PROFESSIONAL ENGINEERS
CERTIFICATE OF REGISTRATION # F-11852

PRODUCT: EXTRUDED VINYL SLIDING PATIO DOORS
PART OR ASSEMBLY: TYPICAL ELEVATION, DESIGN PRESSURES & GENERAL NOTES

NO.	DATE	BY	REVISIONS

DATE: 10/20/21

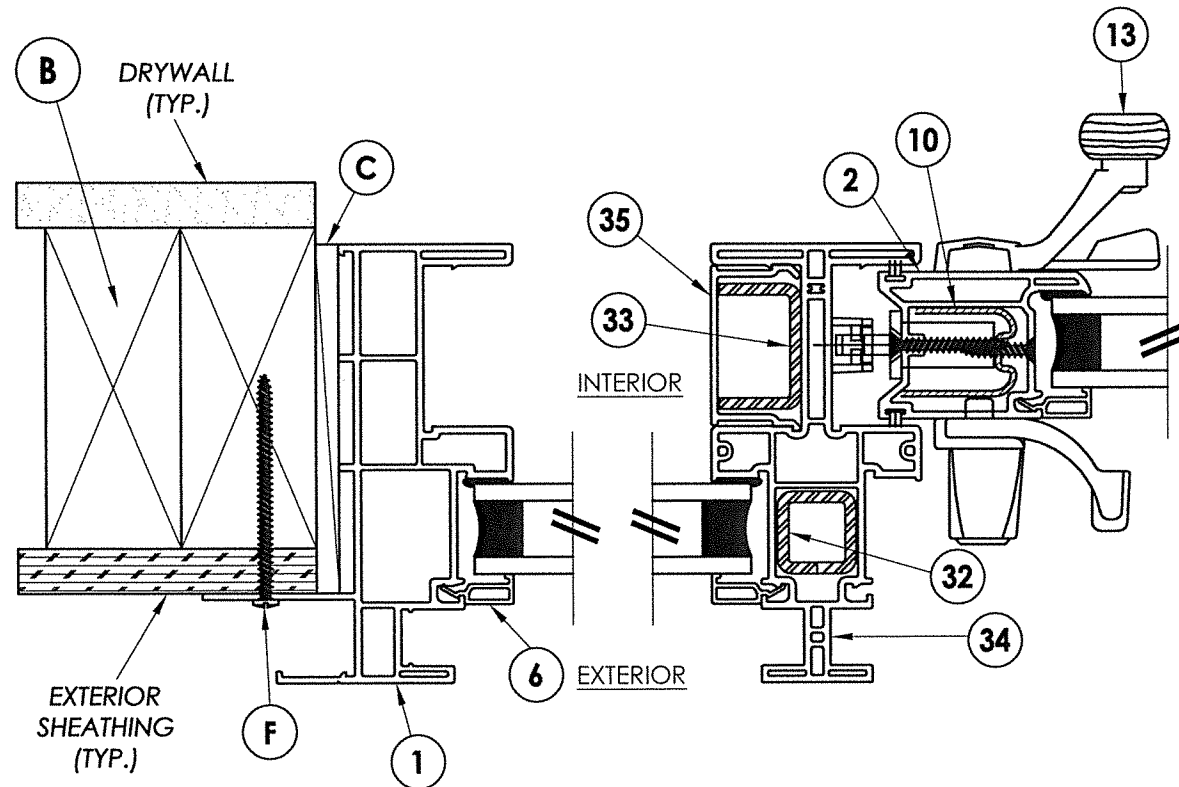
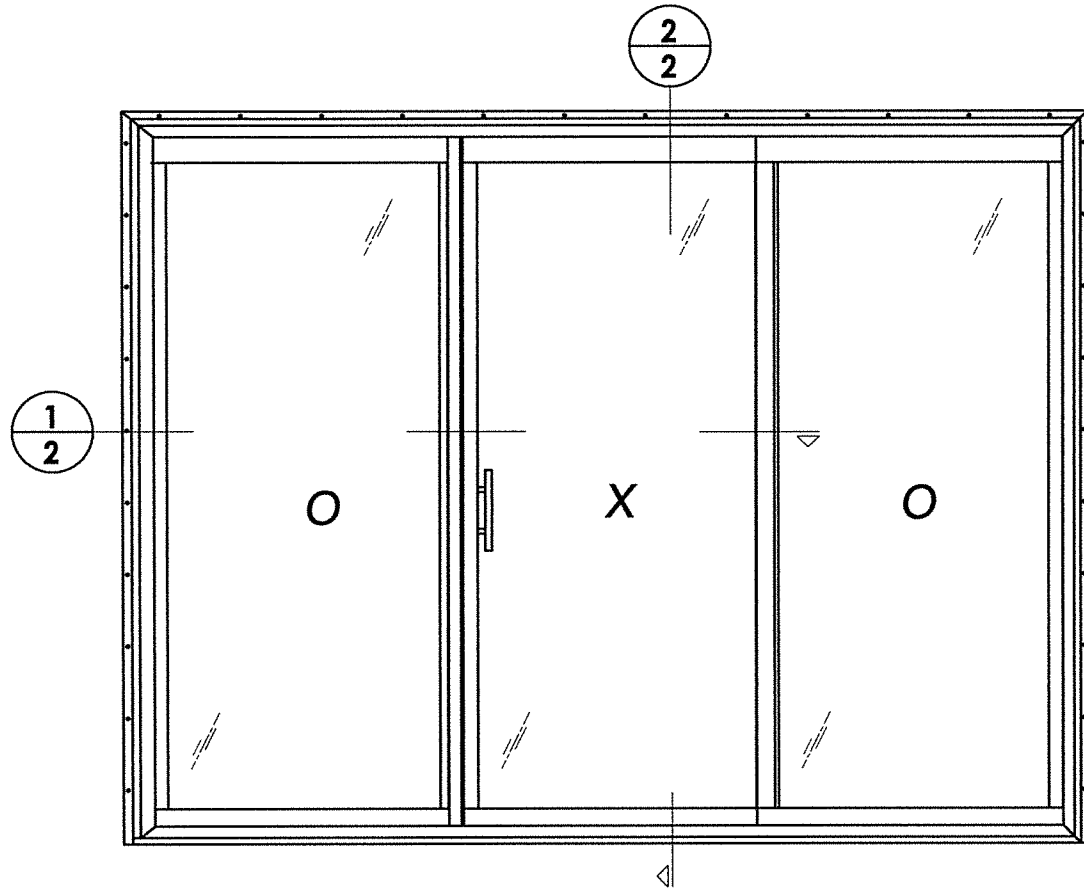
SCALE: N.T.S.

DWG. BY: RW

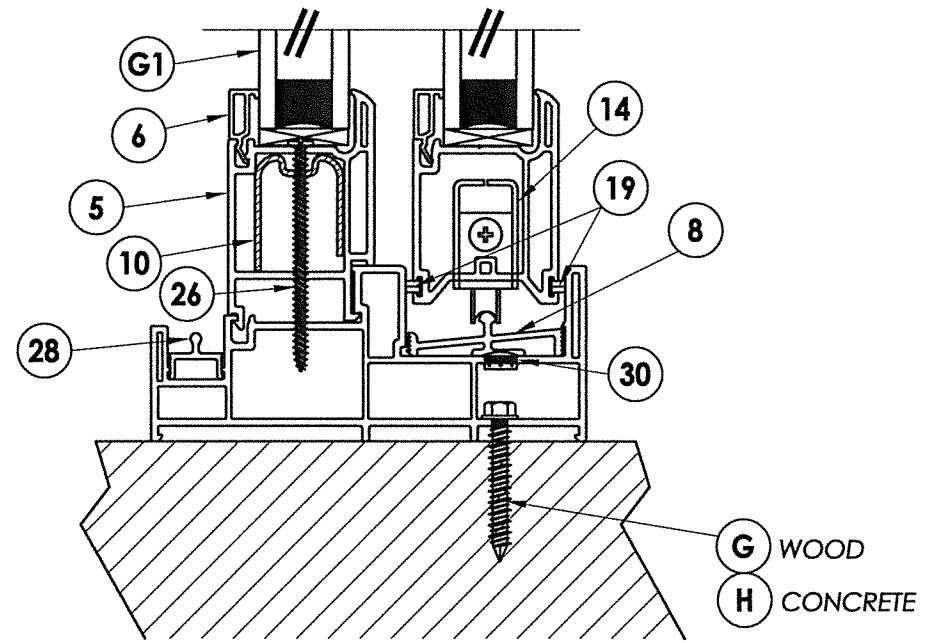
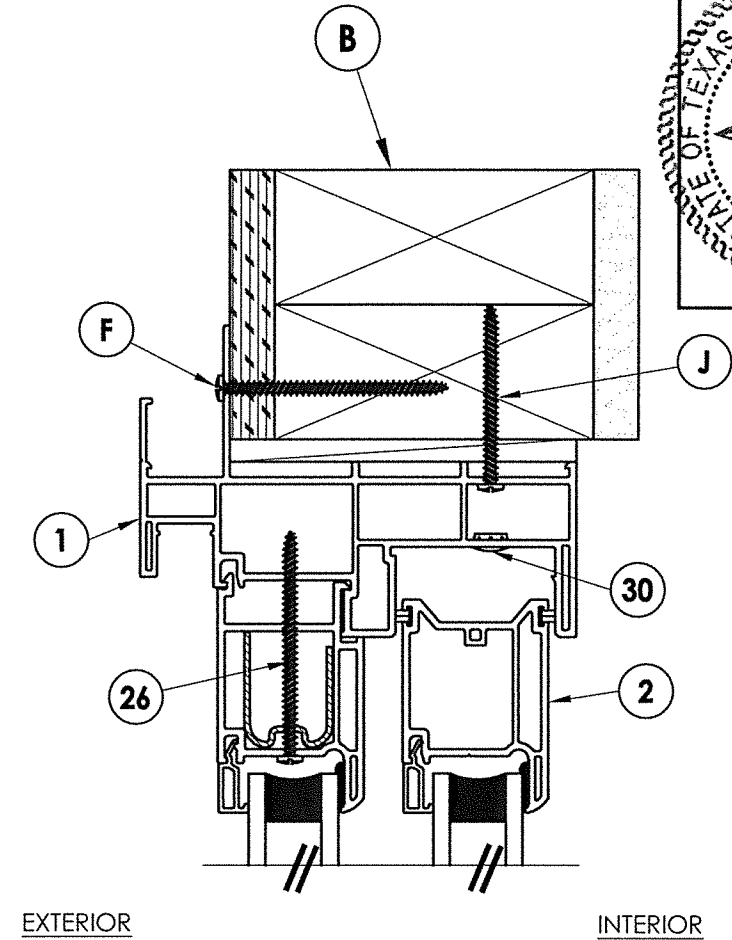
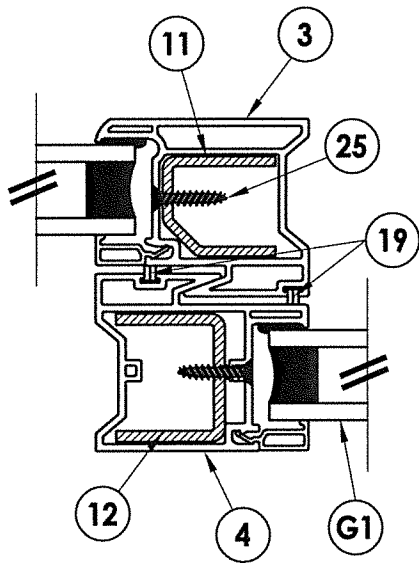
CHK. BY: LFS

DRAWING NO.: TX-5253

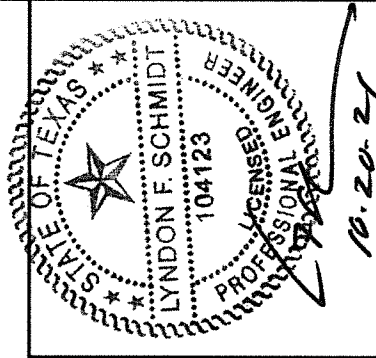
SHEET 1 OF 4



1
2 HORIZONTAL CROSS SECTION



2
2 VERTICAL CROSS SECTION



Documents Prepared By: Lyndon F. Schmidt, P.E.
TEXAS P.E. #104123

RW BUILDING CONSULTANTS, INC.
P.O. Box 230 Valrico FL, 33595
Phone No.: 813.659.9197

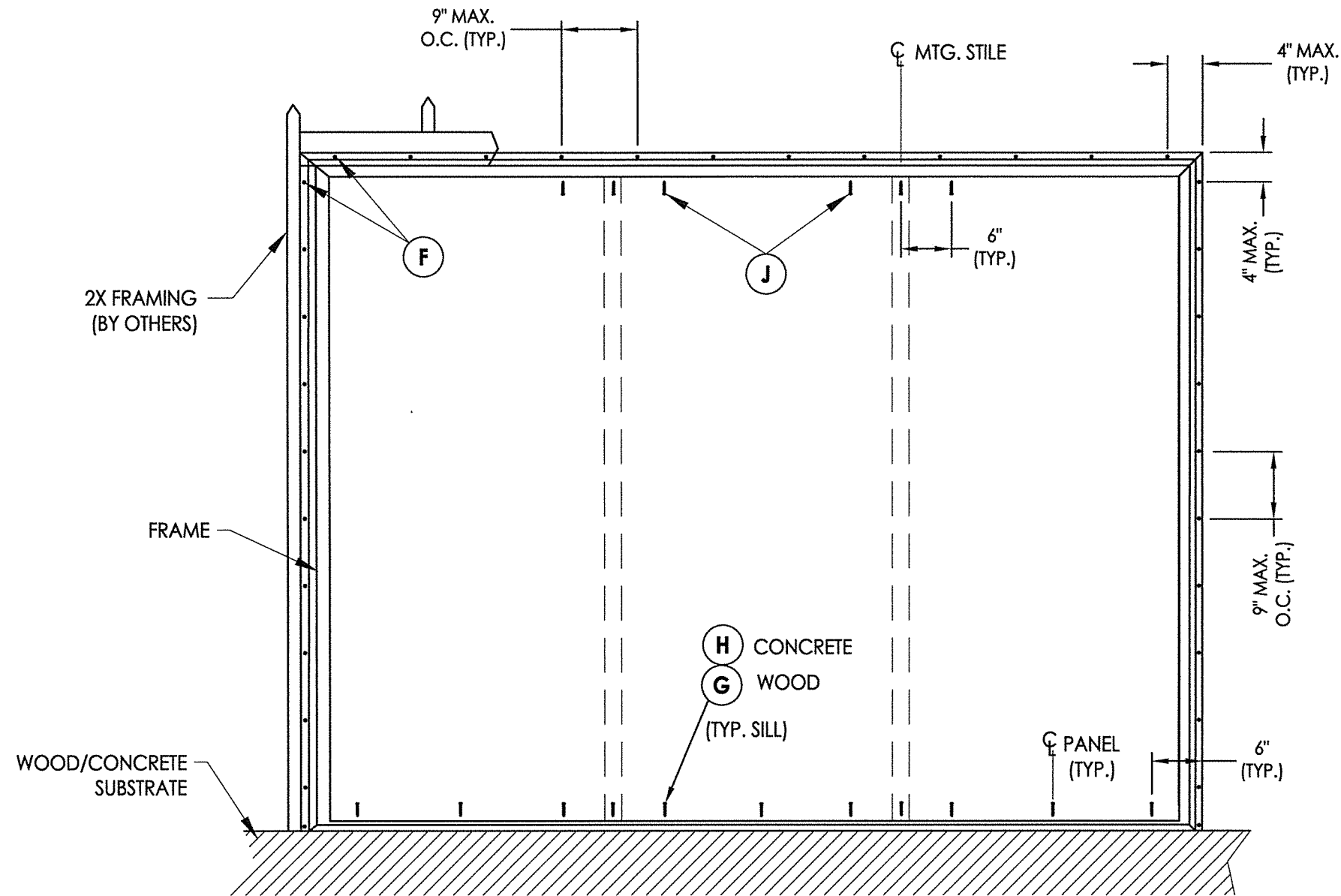
TEXAS BOARD OF PROFESSIONAL ENGINEERS
CERTIFICATE OF REGISTRATION # F-11852

PRODUCT: EXTRUDED VINYL
SLIDING PATIO DOORS

PART OR ASSEMBLY:
HORIZONTAL & VERTICAL
CROSS SECTIONS

NO.	DATE	BY	REVISIONS

DATE: 10/20/21
SCALE: N.T.S.
DWG. BY: RW
CHK. BY: LFS
DRAWING NO.: TX-5253
SHEET 2 OF 4

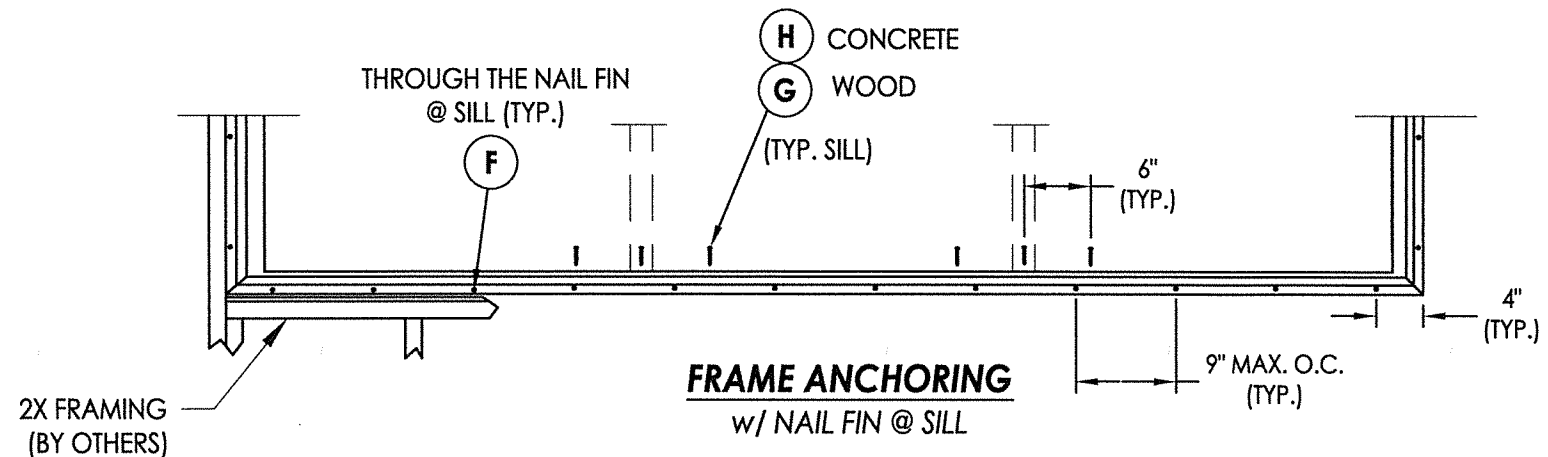


FRAME ANCHORING

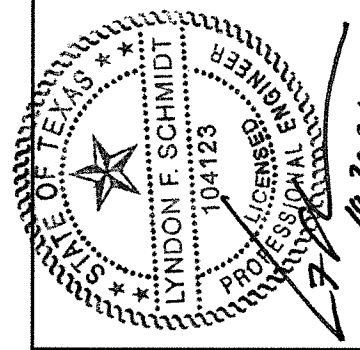
CONCRETE ANCHOR NOTES:

1. Concrete anchor locations at the corners may be adjusted to maintain the min. edge distance to mortar joints.
2. Concrete anchor locations noted as "MAX. ON CENTER" must be adjusted to maintain the min. edge distance to mortar joints, additional concrete anchors may be required to ensure the "MAX. ON CENTER" dimension are not exceeded.
3. Concrete anchor table:

ANCHOR TYPE	ANCHOR SIZE	MIN. EMBEDMENT	MIN. CLEARANCE TO MASONRY EDGE	MIN. CLEARANCE TO ADJACENT ANCHOR
ITW TAPCON®	1/4"	1-3/4"	3"	4"
DeWALT ULTRACON+®	1/4"	1-3/4"	2-1/2"	3"



FRAME ANCHORING
w/ NAIL FIN @ SILL



Documents Prepared By: Lyndon F. Schmidt, P.E.
TEXAS P.E. #104123

RW BUILDING CONSULTANTS, INC.
P.O. Box 230 Valrico FL 33595
Phone No.: 813.659.9197

TEXAS BOARD OF PROFESSIONAL ENGINEERS
CERTIFICATE OF REGISTRATION # F-11852

PRODUCT: EXTRUDED VINYL SLIDING PATIO DOORS

PART OR ASSEMBLY: FRAME ANCHORING

NO.	DATE	BY	REVISIONS

DATE: 10/20/21

SCALE: N.T.S.

DWG. BY: RW

CHK. BY: LFS

DRAWING NO.: TX-5253

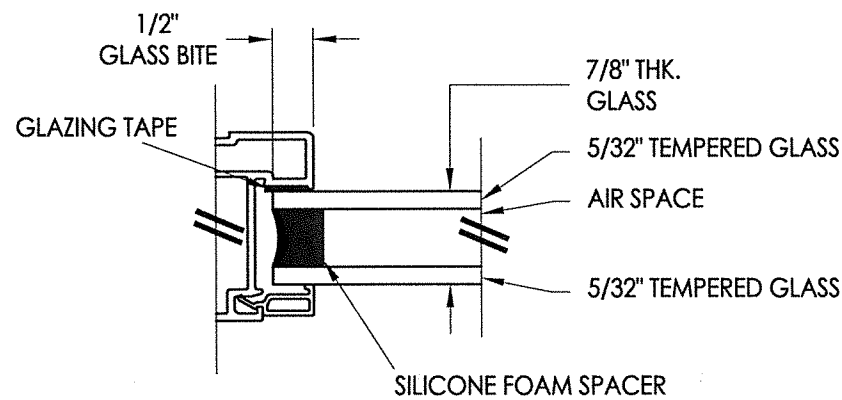
SHEET 3 OF 4

Z:\Clients\Associated PERMANENT\B - Texas Dept of Ins\Sliding Glass Doors\DR-XXX 11C9 Sliding Patio Doors N\C - Drawings\TX-5253.dwg

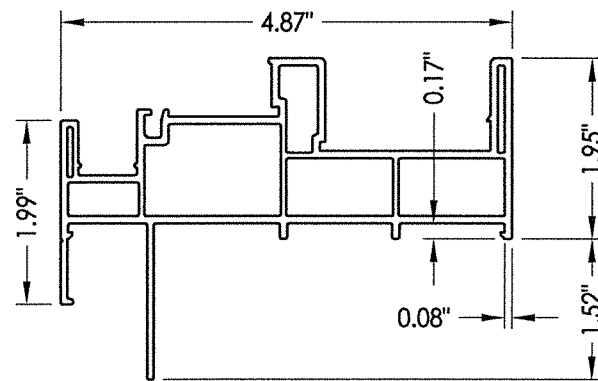
BILL OF MATERIALS

ITEM #	DESCRIPTION	MATERIAL
B	2X FRAMING (SG >= 0.42)	WOOD
C	1/4" MAX. SHIM SPACE	-
F	#8 X 2-1/2" PPH SMS (2" MIN. EMBEDMENT)	STEEL
G	#10 X 2" HWH SMS (1-3/4" MIN. EMBEDMENT)	STEEL
H	1/4" X 2-1/4" HWH DeWALT OR ITW CONCRETE SCREW (1-3/4" MIN. EMBEDMENT)	STEEL
J	#8 X 2" PPH SMS (1-1/2" MIN. EMBEDMENT)	STEEL
1	EXTRUDED VINYL HEAD / SILL & JAMB / FRAME (#PD1201)	* RIGID PVC
2	EXTRUDED VINYL STILE / RAIL SASH (#PD25)	* RIGID PVC
3	EXTRUDED VINYL SASH INTERLOCK (#PD24)	* RIGID PVC
4	EXTRUDED VINYL FIXED INTERLOCK (#PD34)	* RIGID PVC
5	EXTRUDED VINYL EQUAL GLASS ADAPTOR (#PD39)	* RIGID PVC
6	EXTRUDED VINYL 1" GLAZING BEAD (#BV22)	* RIGID PVC
8	ALUMINUM SILL TRACK (#PD22)	ALUMINUM
10	JAMB STILE (PD25) REINFORCEMENT ROLL FORMED STEEL (#RFPD03SOM)	STEEL
11	SASH INTERLOCK (PD24) REINFORCEMENT ROLL FORMED STEEL (#RFPD24SOM)	STEEL
12	FIXED INTERLOCK (PD34) REINFORCEMENT ROLL FORMED STEEL (#RFPD34SOM)	STEEL
13	SLIDING PATIO DOOR HANDLE SET #684 BY SASH CONTROLS	-
14	TANDEM ROLLER ASSEMBLY BY ULTRA #64266	STEEL
19	WEATHERPILE (0.187" x 0.270") BY AMESBURY	-
25	#8 X 3/4" PFH SELF DRILLING SCREWS	STEEL
26	#8 X 2-1/2" PPH SMS (EQ. GLS. ADAPTOR) SCREWS BY MERCHANTS	STEEL
27	#8 X 1-1/2" PPH SMS (1" MIN. EMBEDMENT)	STEEL
28	EXTRUDED VINYL SCREEN TRACK (#PDT58)	* RIGID PVC
30	HOLE PLUGS BY ASHLAND (I 3034)	PLASTIC
32	REINFORCEMENT (3-PANEL MULLION) ROLL FORMED STEEL (#RFPD35SOM)	STEEL
33	REINFORCEMENT (3-PANEL MULLION) ROLL FORMED STEEL (#RFPD32SOM)	STEEL
34	3-PANEL MULLION	* RIGID PVC
35	EXTRUDED VINYL JAMB CAP	* RIGID PVC

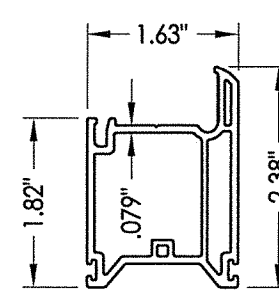
* THE APPROVED WHITE RIGID PVC EXTERIOR EXTRUSIONS FOR WINDOWS ARE TO BE PRODUCED BY EXTRUDERS LICENSEES IN "AAMA CERTIFICATION PROGRAMS FOR RIGID PVC EXTRUSIONS".



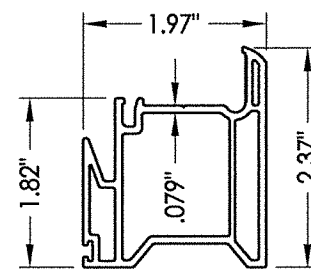
G1 GLAZING DETAIL



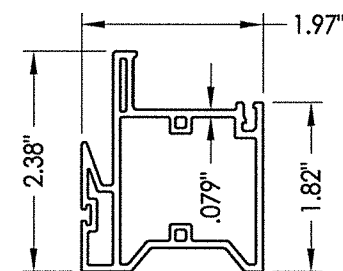
1 HEAD / SILL / JAMB
Extruded vinyl



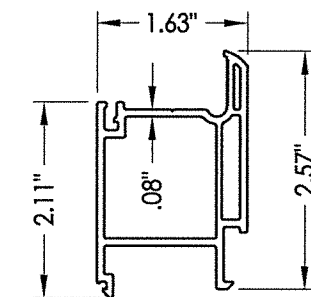
2 STILE / RAIL
Extruded vinyl



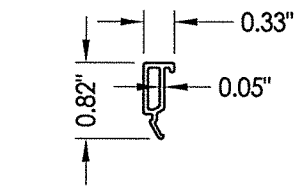
3 SASH INTERLOCK
Extruded vinyl



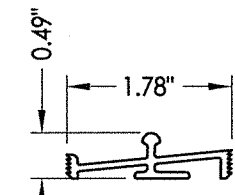
4 FIXED INTERLOCK
Extruded vinyl



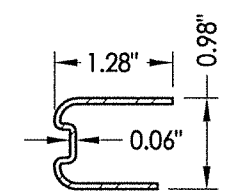
5 EQUAL GLASS ADAPTOR
Extruded vinyl



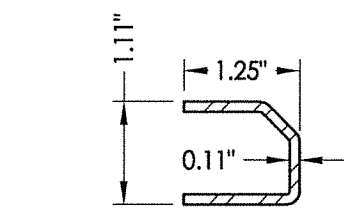
6 GLAZING BEAD
Extruded vinyl



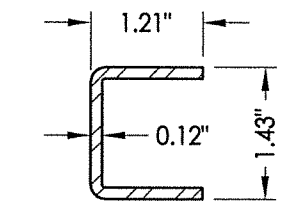
8 SILL TRACK
Extruded aluminum



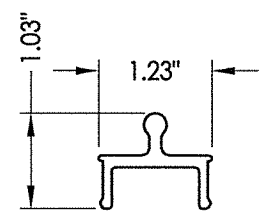
10 M JAMB STILE (PD25)
Reinforcement
Roll formed steel



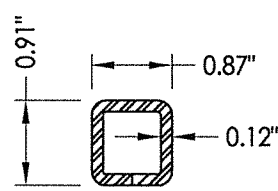
11 SASH INTERLOCK (PD24)
Roll formed steel



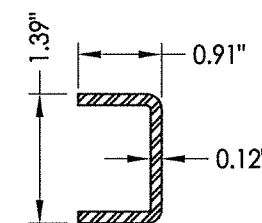
12 FIXED INTERLOCK (PD34)
Roll formed steel



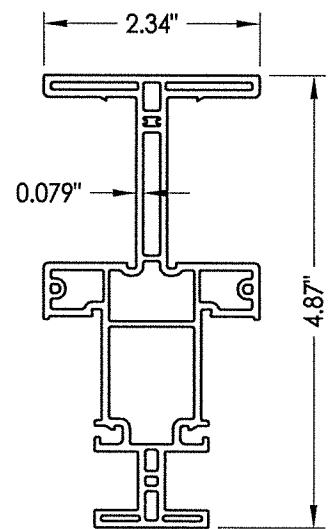
28 SCREEN TRACK
Extruded vinyl



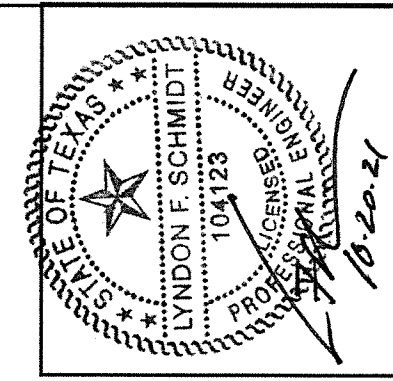
32 REINFORCEMENT
3-panel mullion



33 REINFORCEMENT
3-panel mullion



34 3-panel mullion
Extruded vinyl



Documents Prepared By: Lyndon F. Schmidt, P.E.
TEXAS P.E. #104123

RW BUILDING CONSULTANTS, INC.
P.O. Box 230 Valrico FL, 33595
Phone No.: 813.659.9197

TEXAS BOARD OF PROFESSIONAL ENGINEERS
CERTIFICATE OF REGISTRATION # F-11852

PRODUCT: EXTRUDED VINYL SLIDING PATIO DOORS
PART OR ASSEMBLY: BILL OF MATERIALS, GLAZING DETAIL & COMPONENTS

NO.	DATE	BY	REVISIONS

DATE: 10/20/21
SCALE: N.T.S.
DWG. BY: RW
CHK. BY: LFS
DRAWING NO.: TX-5253
SHEET 4 OF 4