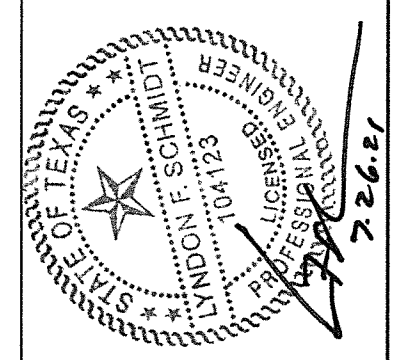
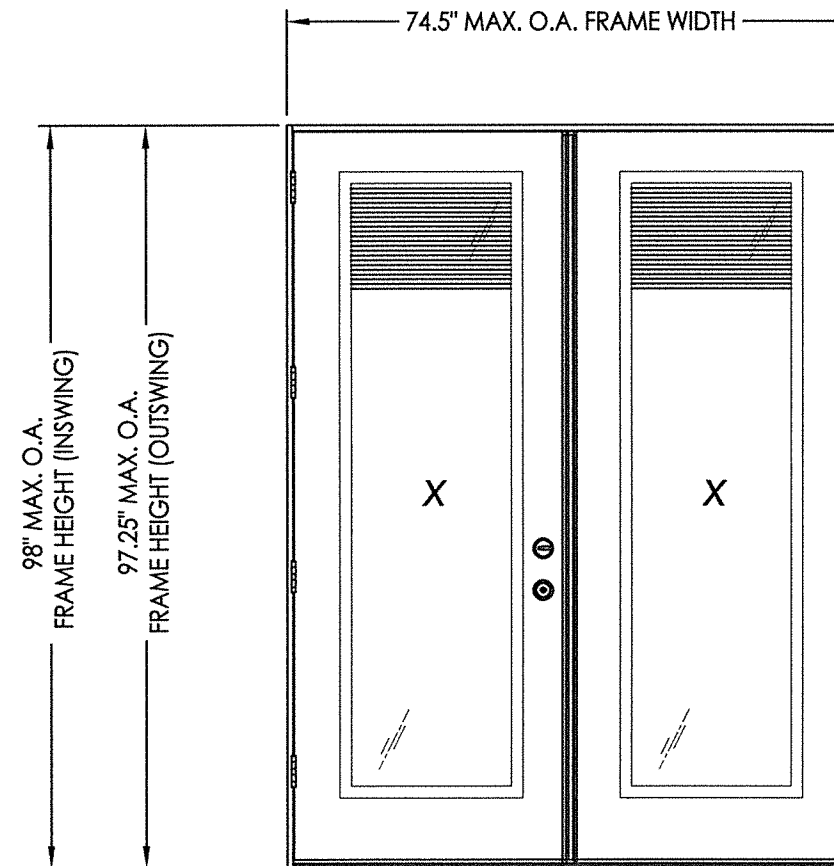


# THERMA-TRU® DOORS

Fiber-Classic® & Smooth-Star®



## COMPOSITE EDGE GLAZED FIBERGLASS DOUBLE DOOR w/ BLINDS BETWEEN GLASS INSWING/OUTSWING "IMPACT"



### EVALUATED FOR USE IN THE STATE OF TEXAS

The Fiberglass Door system described herein complies with the 2018 International Residential Code (IRC), Sections R301 & R609 and the 2018 International Building Code (IBC), Sections 1404.13, 1609, 1709.5, 2403 and 2404 subject to the following conditions:

1. Anchors shall be as listed and spaced as shown in the details. Anchor embedment to base material shall be beyond wall dressing or stucco.
2. This system has been tested and evaluated as a large missile impact protective system for installation in areas that require wind borne debris protection. This product meets missile level "D" as defined in ASTM E 1996.
3. Allowable design pressure requirements must be equal to or less than the design pressure rating shown in the design pressure chart, sheet 1 of this drawing.
4. Conditions not covered by this drawing are subject to further engineering analysis.
5. Fiber-Classic and Smooth-Star Door & Sidelite panels require the use of "J" part numbers. These door panels must be stained or painted within six months of installation.

### TABLE OF CONTENTS

SHEET #	DESCRIPTION
1	Typical Elevations, Design Pressures & General Notes
2	Door Panel Details
3	Elevations
4	Horizontal & Vertical Cross Sections
5	Vertical Cross Sections
6	Frame Anchoring
7	Hardware Details
8	Lite Frame & Glazing Details
9	Bill of Materials & Components

CONFIGURATION	DESIGN PRESSURE (PSF) INSWING		DESIGN PRESSURE (PSF) OUTSWING	
	POSITIVE	NEGATIVE	POSITIVE	NEGATIVE
XX	+40.0	-45.0	+45.0	-45.0

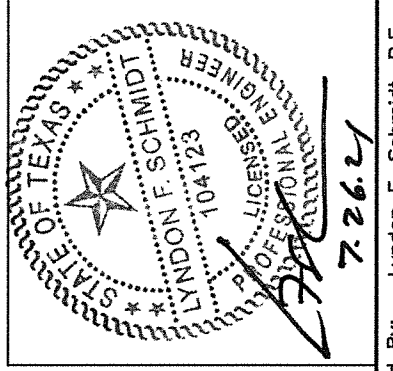
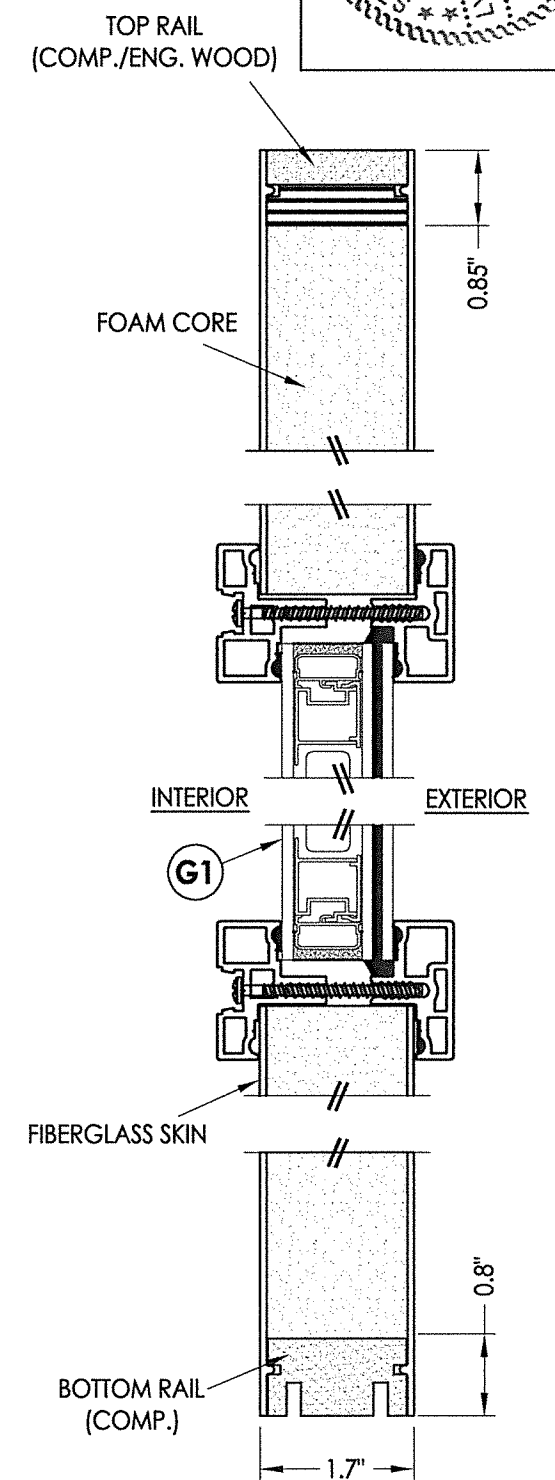
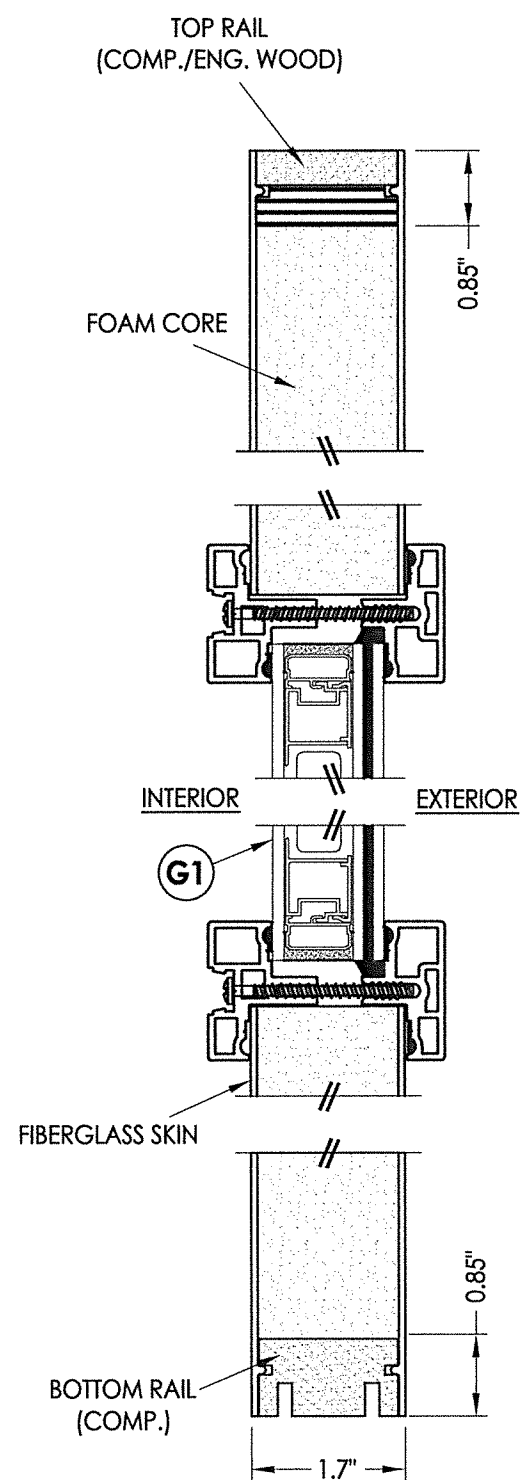
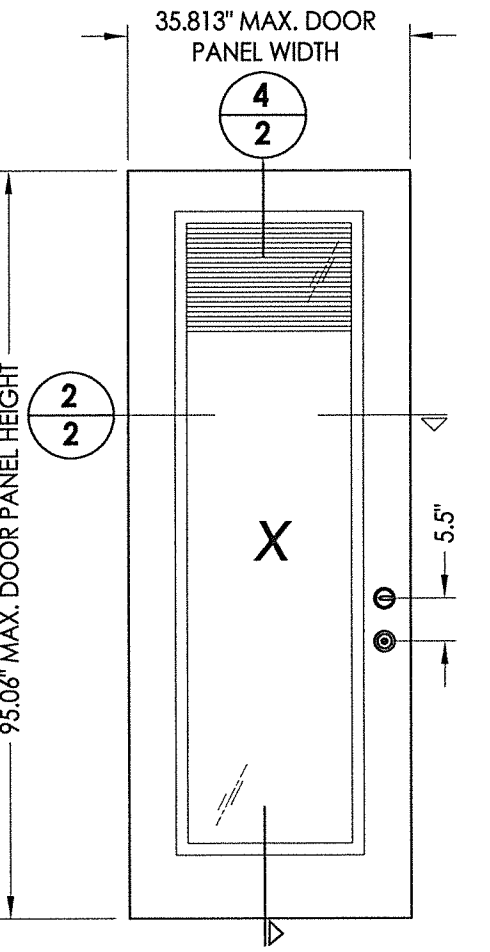
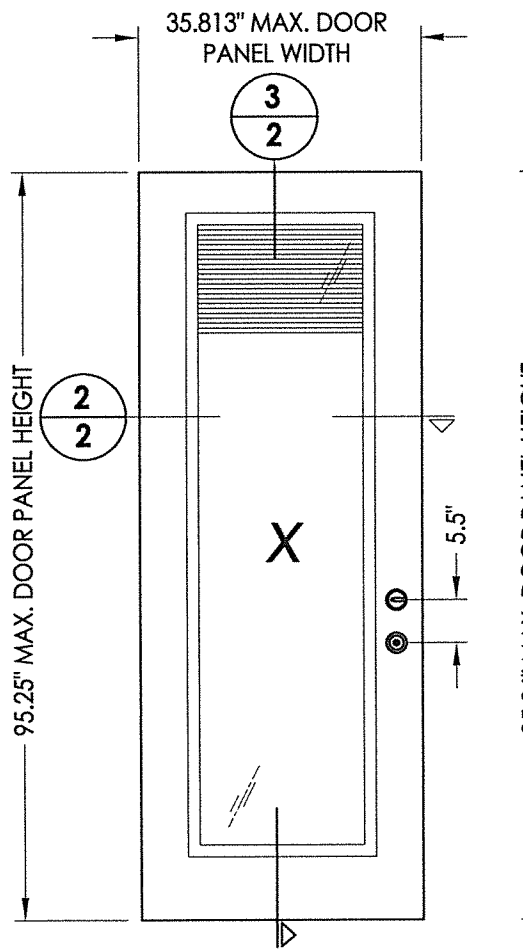
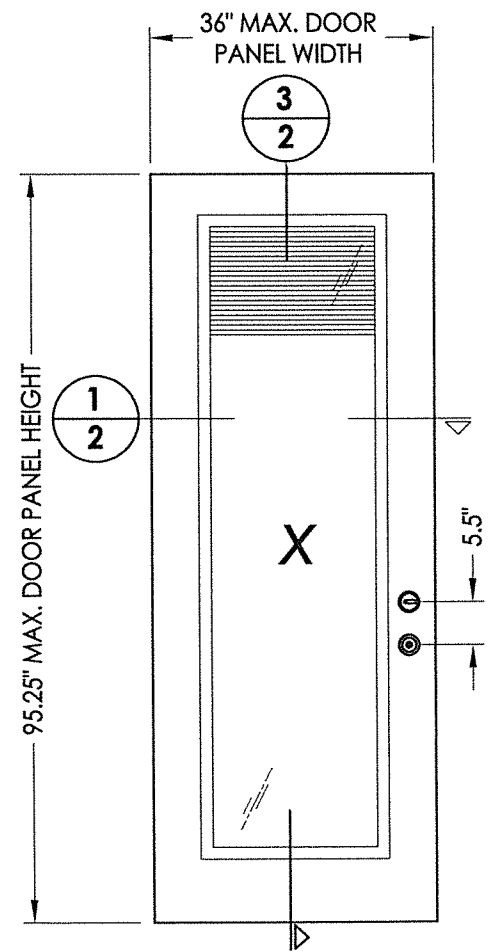
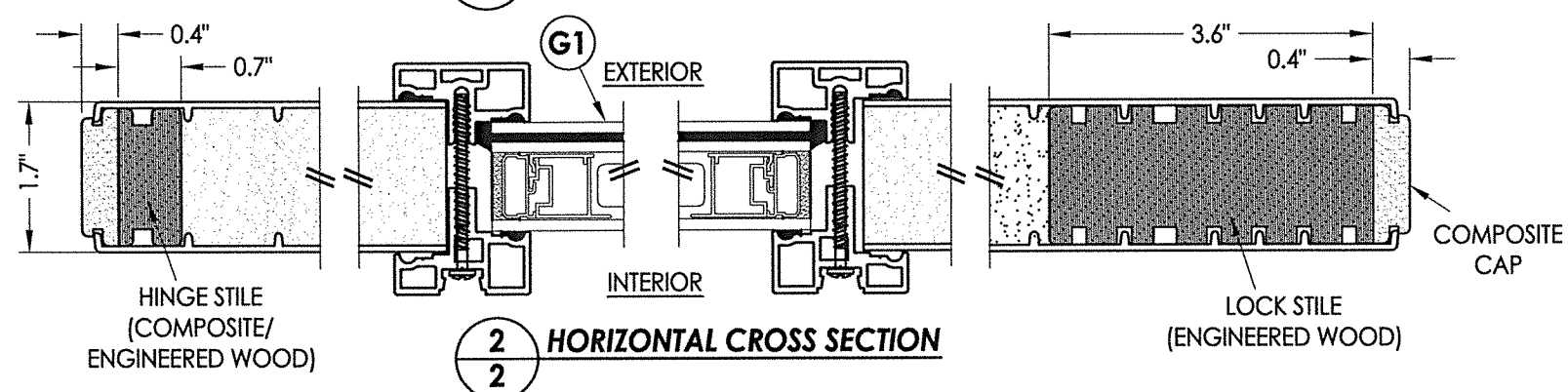
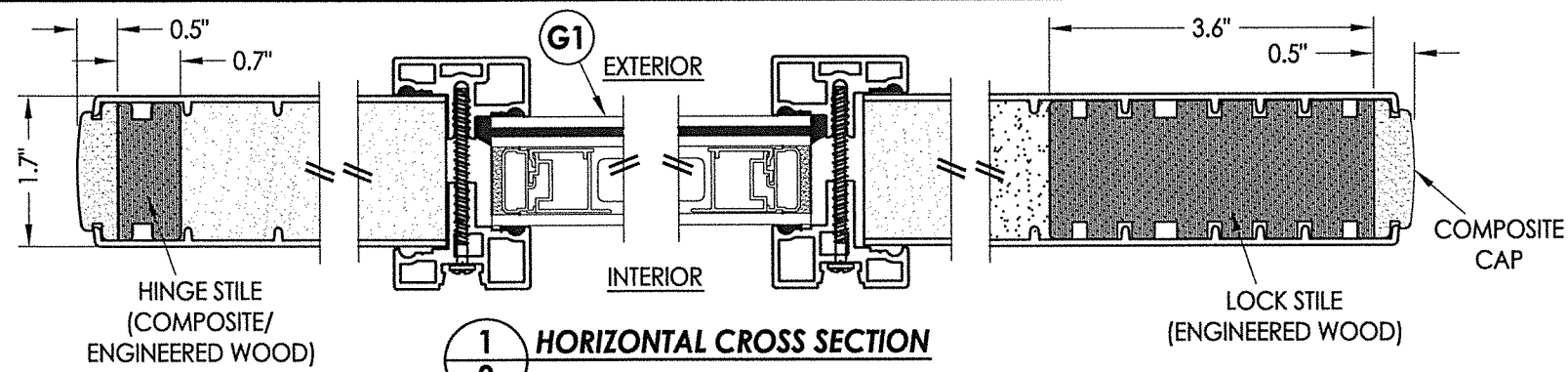
PRODUCT: THERMA-TRU FIBERGLASS DOOR	
PART OR ASSEMBLY: TYPICAL ELEVATION, DESIGN PRESSURES & GENERAL NOTES	
NO.	DATE
REVISIONS	
DATE: 7/21/21	
SCALE: N.T.S.	
DWG. BY: RW	
CHK. BY: LFS	
DRAWING NO.: TX-5229	
SHEET 1 OF 9	

Documents Prepared By: Lyndon F. Schmidt, P.E.  
TEXAS P.E. #104123

RW BUILDING CONSULTANTS, INC.  
P.O. Box 230 Vairico FL 33595  
Phone No.: 813.659.9197

TEXAS BOARD OF PROFESSIONAL ENGINEERS  
CERTIFICATE OF REGISTRATION # F-11852

Z:\Clients\Therma Tru PERMANENT\B - Texas Dept of Ins\TDI - XXX ID XXXX- 6'8 & 8'0 BBG FG Imp Comp Jamb\TX-5224-5229\C - Drawings\TX-5227-5229.dwg



Documents Prepared By: Lyndon F. Schmidt, P.E.  
 TEXAS P.E. #104123

**RW** BUILDING CONSULTANTS, INC.  
 P.O. Box 230 Vairico FL 33595  
 Phone No.: 813.659.9197

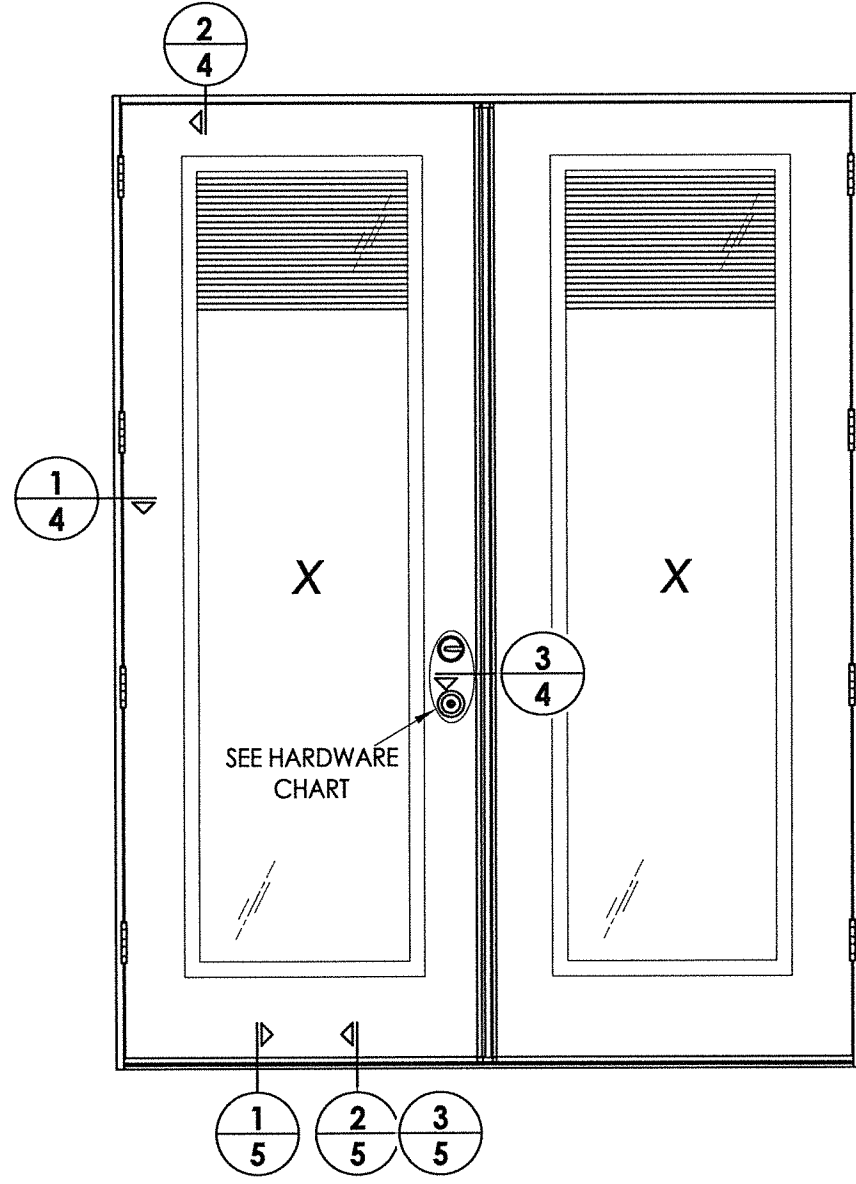
TEXAS BOARD OF PROFESSIONAL ENGINEERS  
 CERTIFICATE OF REGISTRATION # F-11852

PRODUCT: THERMA-TRU FIBERGLASS DOOR  
 PART OR ASSEMBLY: DOOR PANEL DETAILS

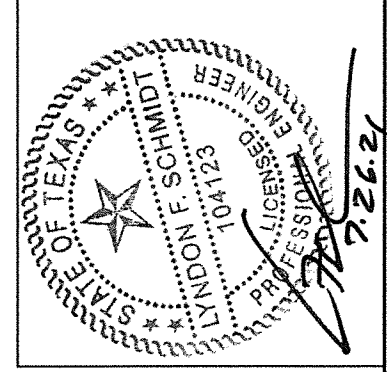
NO.	DATE	BY	REVISIONS

DATE: 7/21/21  
 SCALE: N.T.S.  
 DWG. BY: RW  
 CHK. BY: LFS  
 DRAWING NO.: TX-5229  
 SHEET 2 OF 9

FIBERGLASS SKIN: 0.082" MIN. THK.  
 FOAM CORE: POLYURETHANE -1.9 PCF MIN.



HARDWARE TABLE	
MANUFACTURER	MODEL
SCHLAGE	KNOB: F51
	DEADBOLT: B60
KWIKSET	KNOB: SIGNATURE SERIES
	DEADBOLT: SIGNATURE SERIES (980)



Documents Prepared By: Lyndon F. Schmidt, P.E.  
TEXAS P.E. #104123

**RW** BUILDING CONSULTANTS, INC.  
P.O. Box 230 Vairico FL, 33595  
Phone No.: 813.659.9197

TEXAS BOARD OF PROFESSIONAL ENGINEERS  
CERTIFICATE OF REGISTRATION # F-11852

PRODUCT: THERMA-TRU  
FIBERGLASS DOOR

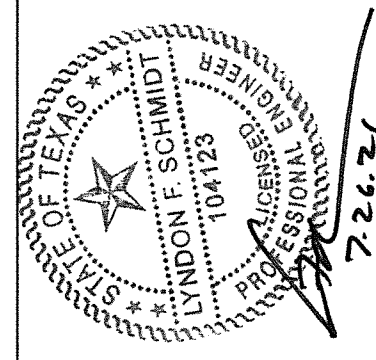
PART OR ASSEMBLY: ELEVATIONS

NO.	DATE	BY	REVISIONS

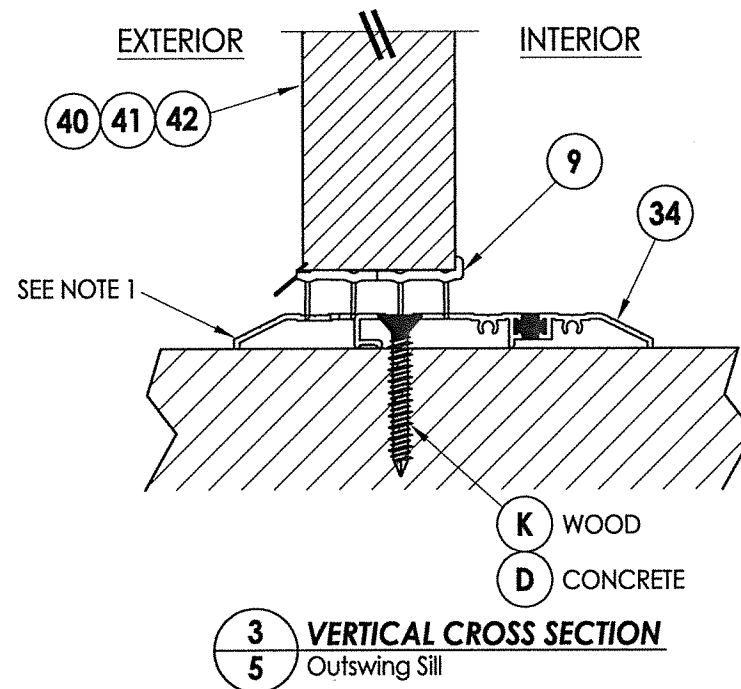
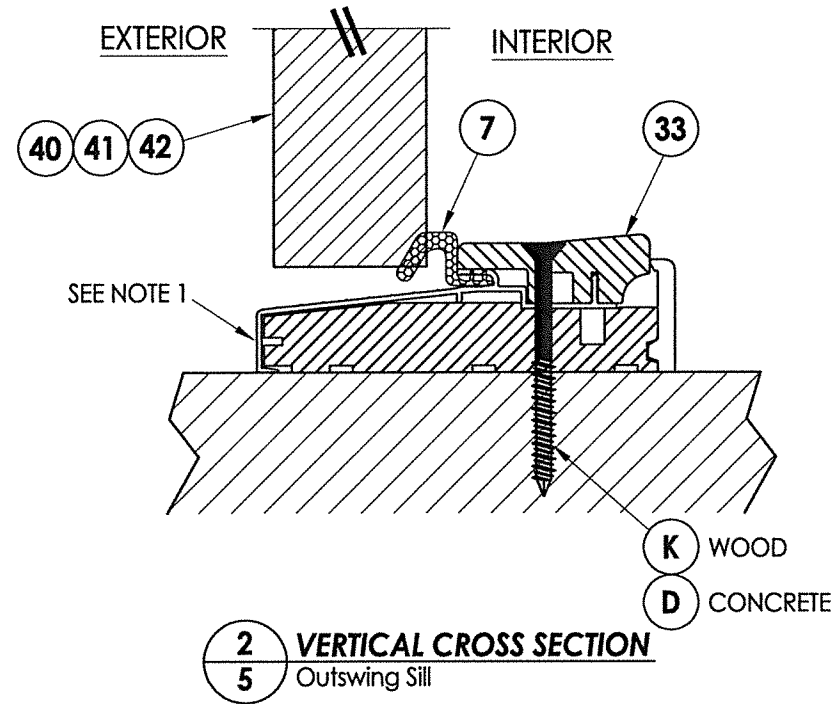
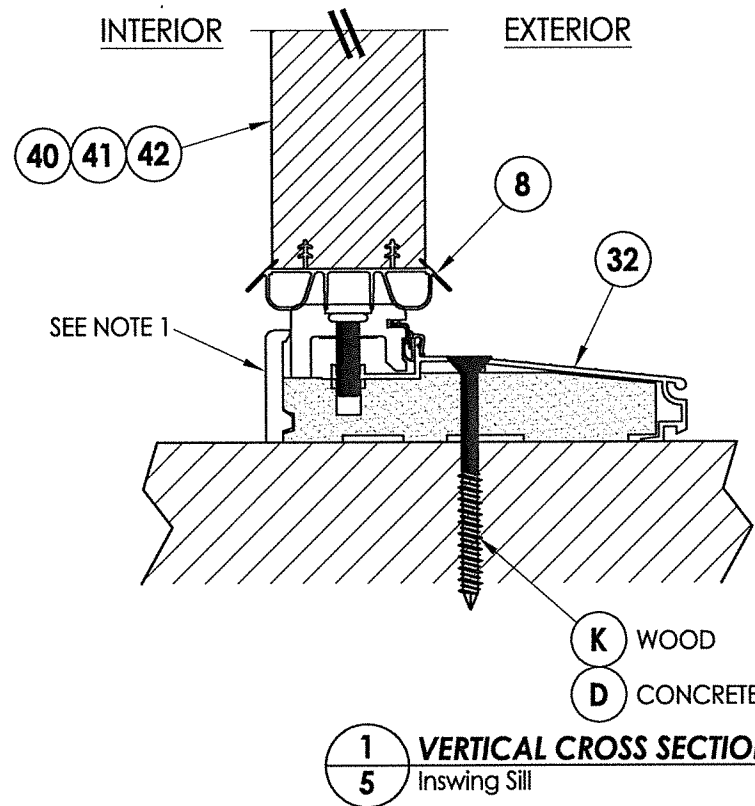
DATE: 7/21/21  
SCALE: N.T.S.  
DWG. BY: RW  
CHK. BY: LFS  
DRAWING NO.: TX-5229  
SHEET 3 OF 9



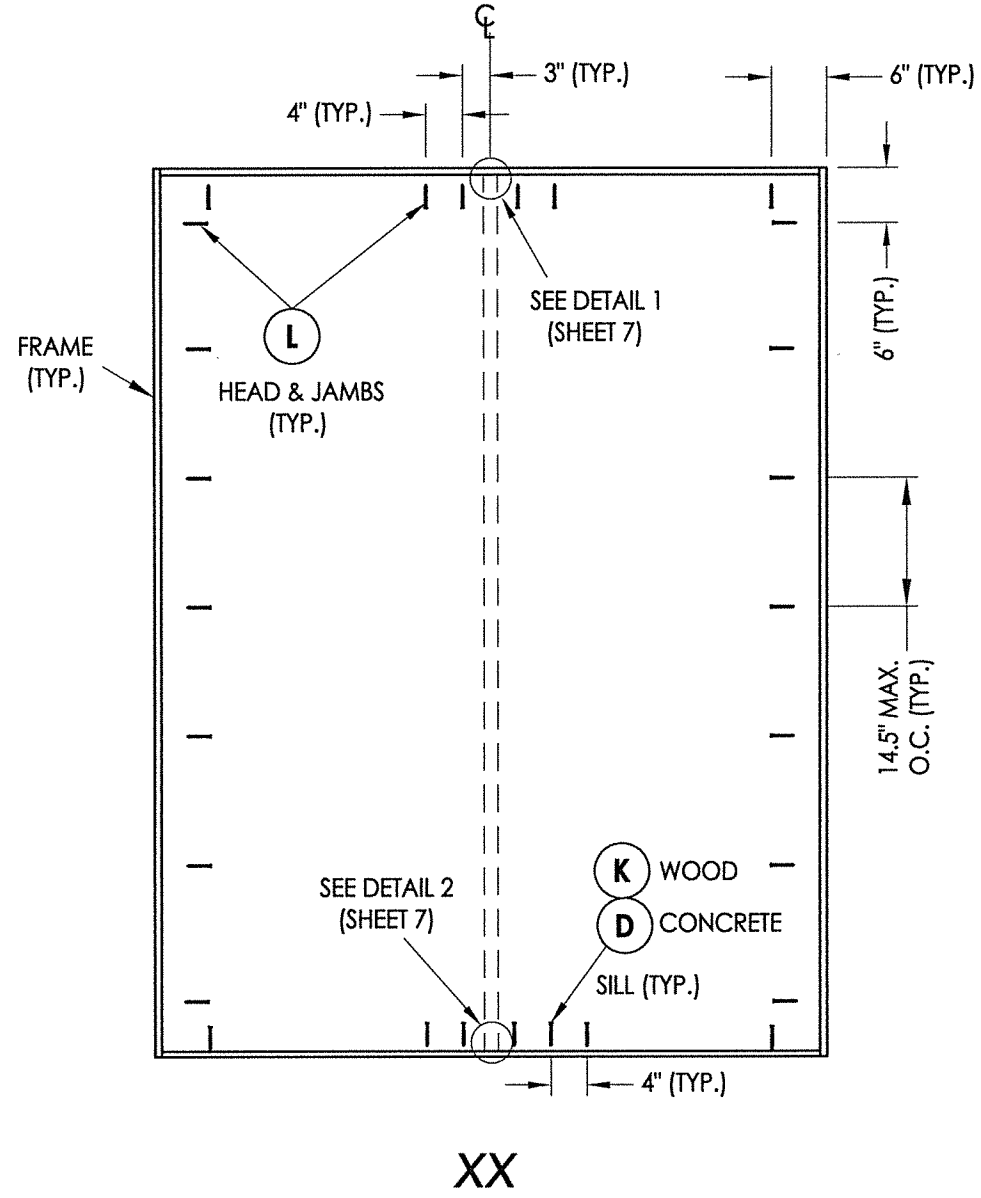
Notes:  
 1. Sill Item #32 is attached to jambs w/ (3) #8 X 2-1/2" pfh screws at each end.  
 Sill Item #33 is attached to jambs w/ (2) #8 X 2-1/2" pfh screws at each end.  
 Sill Item #34 is attached to jambs utilizing (2) #10 X 2" pph SMS at each end.



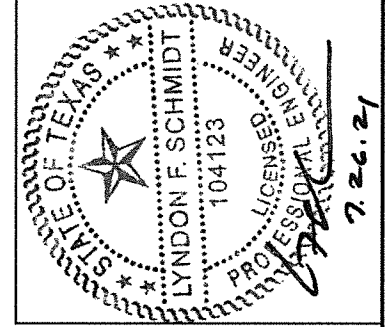
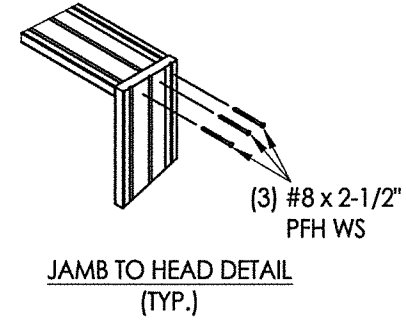
Documents Prepared By: Lyndon F. Schmidt, P.E.  
 TEXAS P.E. #104123  
 RW BUILDING CONSULTANTS, INC.  
 P.O. Box 230 Vairico FL. 33595  
 Phone No.: 813.659.9197  
 TEXAS BOARD OF PROFESSIONAL ENGINEERS  
 CERTIFICATE OF REGISTRATION # F-11852



PRODUCT: THERMA-TRU FIBERGLASS DOOR	
PART OR ASSEMBLY: VERTICAL CROSS SECTIONS	
NO.	DATE
BY	REVISIONS
DATE: 7/21/21	
SCALE: N.T.S.	
DWG. BY: RW	
CHK. BY: LFS	
DRAWING NO.: TX-5229	
SHEET 5 OF 9	



**FRAME ANCHORING**



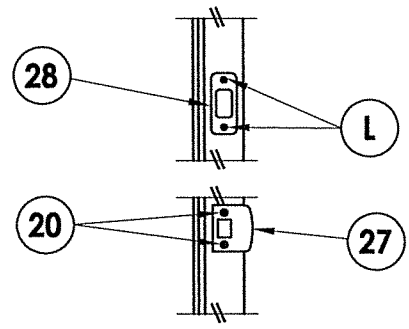
Documents Prepared By: Lyndon F. Schmidt, P.E.  
TEXAS P.E. #104123

**RW** BUILDING CONSULTANTS, INC.  
P.O. Box 230 Valrico FL 33595  
Phone No.: 813.659.9197  
TEXAS BOARD OF PROFESSIONAL ENGINEERS  
CERTIFICATE OF REGISTRATION # F-11852

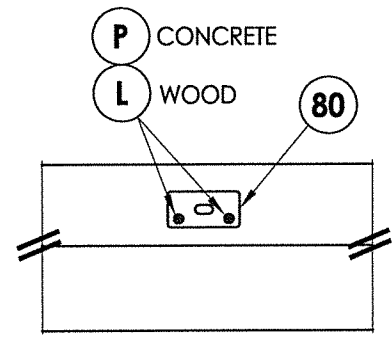
PRODUCT: THERMA-TRU FIBERGLASS DOOR  
PART OR ASSEMBLY: FRAME ANCHORING

NO.	DATE	BY	REVISIONS

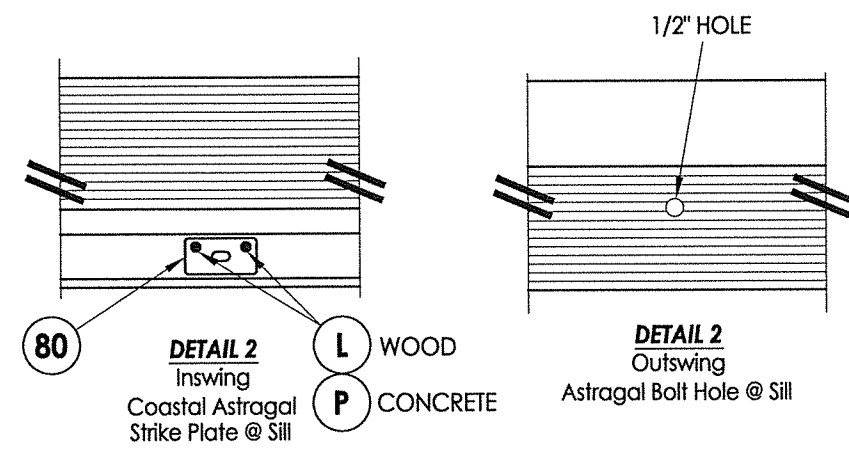
DATE: 7/21/21  
SCALE: N.T.S.  
DWG. BY: RW  
CHK. BY: LFS  
DRAWING NO.: TX-5229  
SHEET 6 OF 9



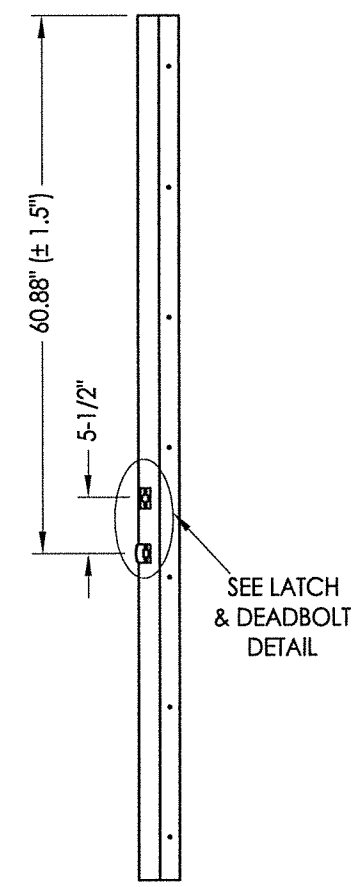
**LATCH & DEADBOLT DETAIL**  
Schlage / Kwikset



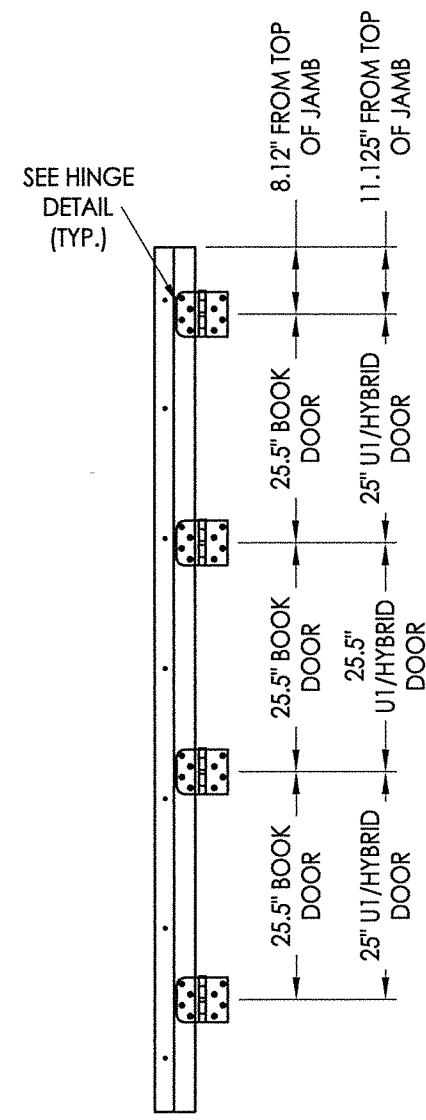
**DETAIL 1**  
Coastal Astragal Strike Plate @ Head



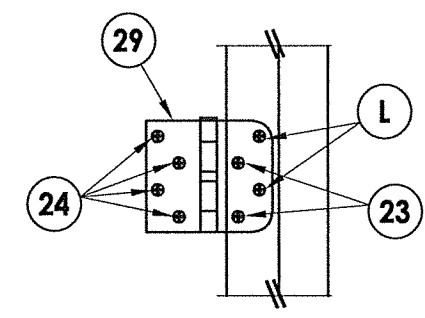
**LATCH & DEADBOLT STRIKE DETAILS**



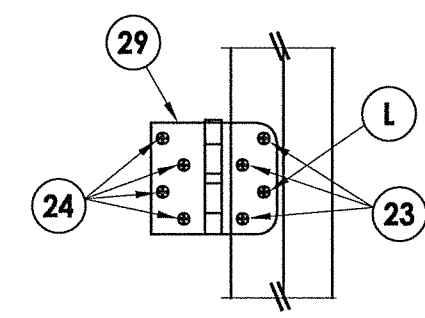
**STRIKE JAMB**  
Latch & Deadbolt



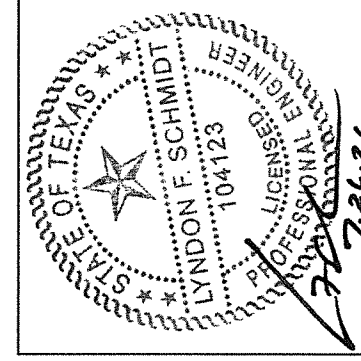
**HINGE JAMB**



**HINGE DETAIL**  
Inswing



**HINGE DETAIL**  
Outswing



Documents Prepared By: Lyndon F. Schmidt, P.E.  
TEXAS P.E. #104123

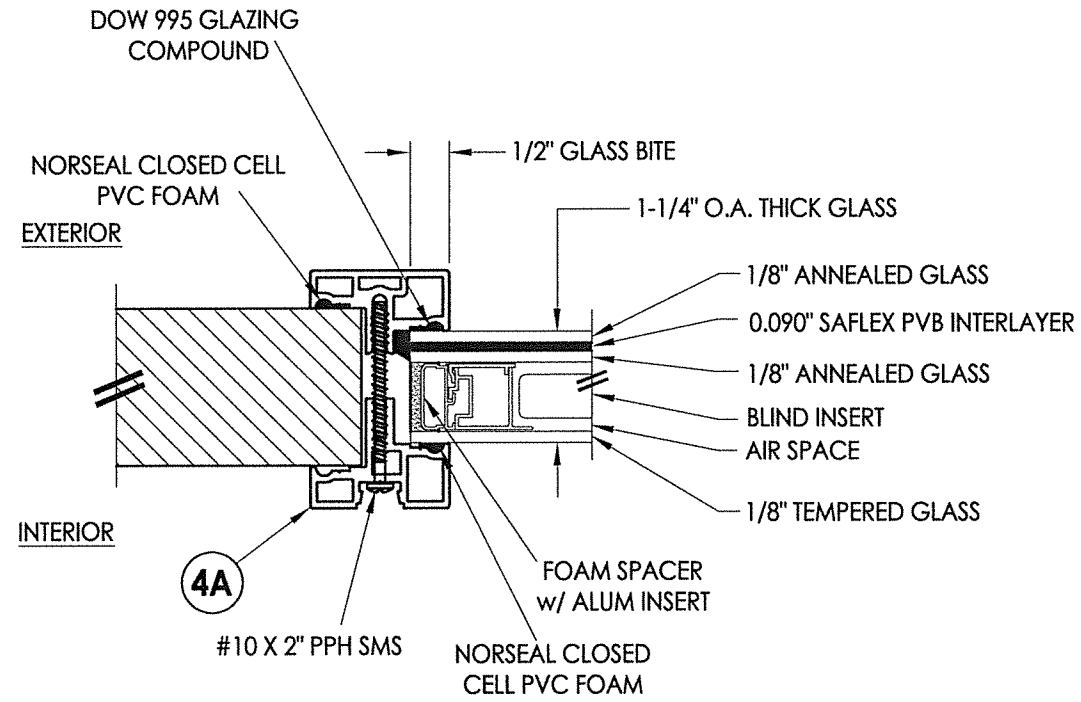
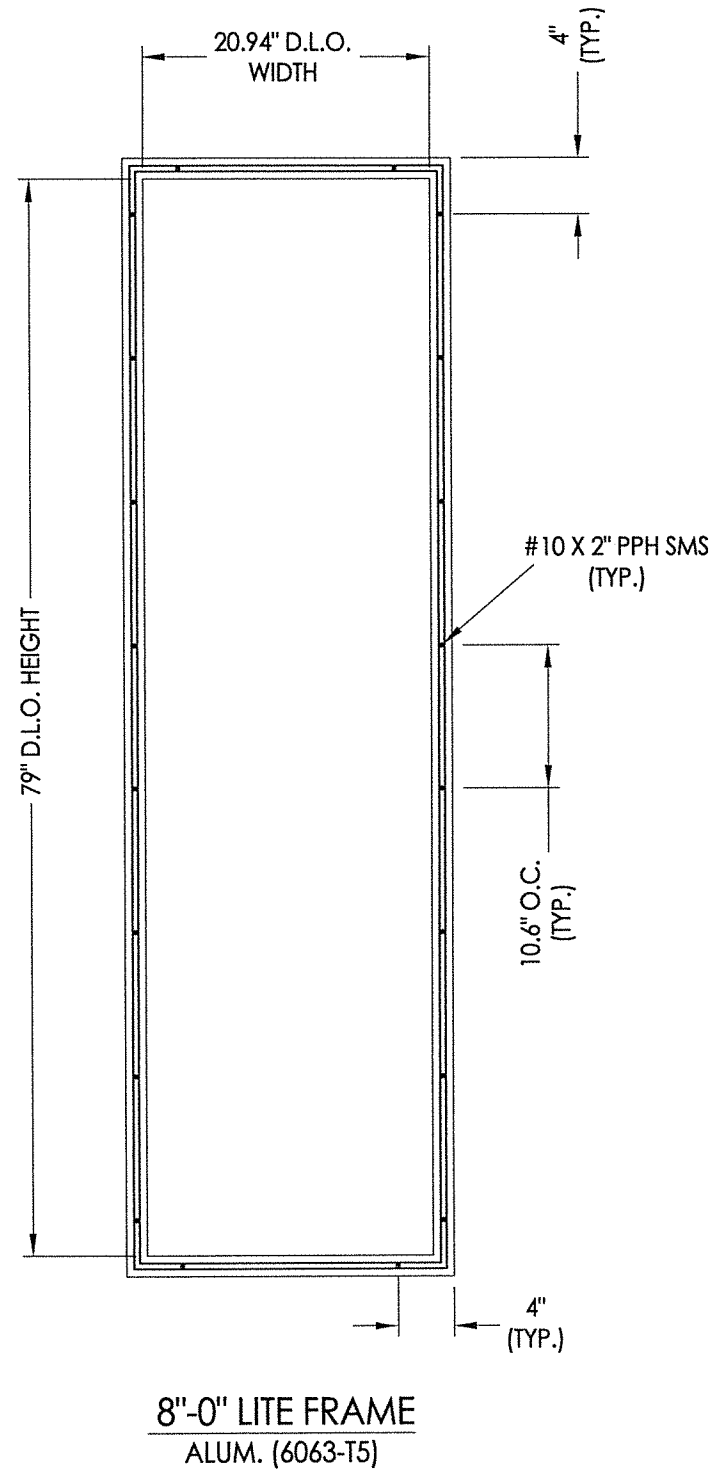
**RW** BUILDING CONSULTANTS, INC.  
P.O. Box 230 Valrico FL 33595  
Phone No.: 813.659.9197

TEXAS BOARD OF PROFESSIONAL ENGINEERS  
CERTIFICATE OF REGISTRATION # F-11852

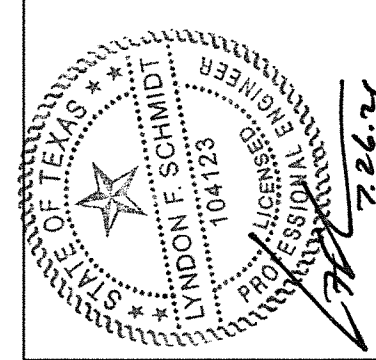
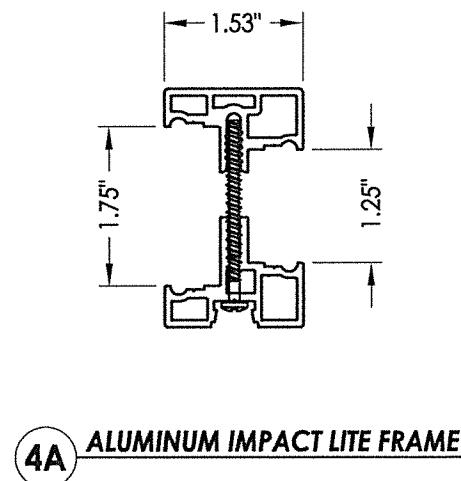
PRODUCT:	THERMA-TRU FIBERGLASS DOOR
PART OR ASSEMBLY:	HARDWARE DETAILS

NO.	DATE	BY	REVISIONS

DATE: 7/21/21  
SCALE: N.T.S.  
DWG. BY: RW  
CHK. BY: LFS  
DRAWING NO.: TX-5229  
SHEET 7 OF 9



**G1 GLAZING DETAIL**  
1-1/4" Insulated Laminated Glass w/ Internal Blinds



Documents Prepared By: Lyndon F. Schmidt, P.E.  
TEXAS P.E. #104123

**RW** BUILDING CONSULTANTS, INC.  
P.O. Box 230 Valrico FL 33595  
Phone No.: 813.659.9197

TEXAS BOARD OF PROFESSIONAL ENGINEERS  
CERTIFICATE OF REGISTRATION # F-11852

PRODUCT: THERMA-TRU FIBERGLASS DOOR

PART OR ASSEMBLY: LITE FRAME & GLAZING DETAILS

NO.	DATE	BY	REVISIONS

DATE: 7/21/21

SCALE: N.T.S.

DWG. BY: RW

CHK. BY: LFS

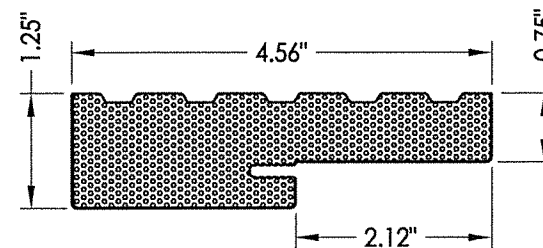
DRAWING NO.: TX-5229

SHEET 8 OF 9

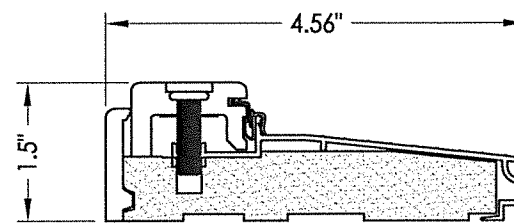
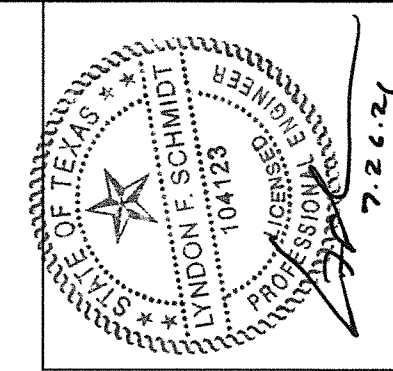


Z:\Clients\Therma Tru PERMANENT\B - Texas Dept of Ins\YDI - XXX ID XXXX- 6'8 & 8'0 BBG FG Imp Comp Jamb (TX 5224-5229)\C - Drawings\TX-5227-5229.dwg

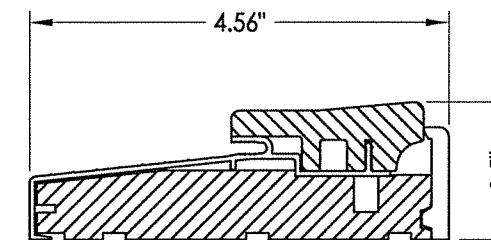
BILL OF MATERIALS		
ITEM #	DESCRIPTION	MATERIAL
A	2X FRAMING (SG >= 0.42)	WOOD
C	1/4" MAX. SHIM SPACE	-
D	1/4" PFH DeWALT OR ITW CONCRETE SCREW (1-3/4" MIN. EMBEDMENT)	STEEL
F	#10 X 2" PFH WOOD SCREW	STEEL
K	#10 PFH WOOD SCREW (1-3/4" MIN. EMBEDMENT)	STEEL
L	#10 X 2-1/2" PFH WOOD SCREW (1.15" MIN. EMBEDMENT)	STEEL
P	3/16" PFH ITW CONCRETE SCREW (1-3/4" MIN. EMBEDMENT)	STEEL
1	COMPOSITE JAMB	COMP
7	WEATHERSTRIP	FOAM
8	DOOR SWEEP	VINYL
9	SWEEP (USE w/ PUBLIC ACCESS THRESHOLD)	VINYL
10	#10 X 1-1/2" PPH SMS	STEEL
20	#8 X 2-1/2" PFH WOOD SCREW	STEEL
21	#12 X 1-1/2" PFH WOOD SCREW	STEEL
22	#8 X 3/4" PFH WOOD SCREW	STEEL
23	#9 X 3/4" PFH WOOD SCREW	STEEL
24	#9 X 1" PFH WOOD SCREW	STEEL
25	#9 X 2-1/2" PFH WOOD SCREW	STEEL
26	#8 X 5/8" PFH WOOD SCREW	STEEL
27	LATCH STRIKE PLATE	STEEL
28	DEADBOLT STRIKE PLATE	STEEL
28A	DEADBOLT SUB-STRIKE PLATE	STEEL
29	4" X 4" HINGE	STEEL
32	INSWING THRESHOLD	ALUM/COMP
33	OUTSWING THRESHOLD	ALUM/COMP
34	PUBLIC ACCESS THRESHOLD	ALUM
40	DOOR PANEL (BOOK)	-
41	DOOR PANEL (HYBRID)	-
42	DOOR PANEL (U1)	-
44	COASTAL ASTRAGAL (THERMA-TRU)	ALUM
78	MULTIPOINT LOCK STRIKE PLATE @ HEAD	STEEL
79	MULTIPOINT LOCK STRIKE PLATE @ SILL	STEEL
80	COASTAL ASTRAGAL STRIKE PLATE	STEEL



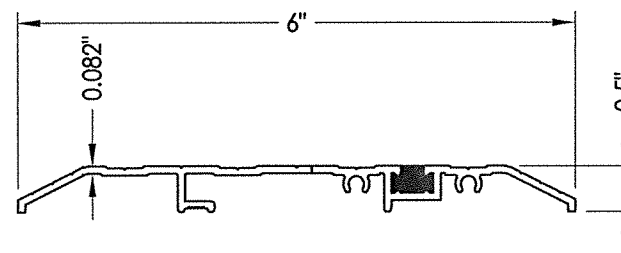
1 COMPOSITE JAMB



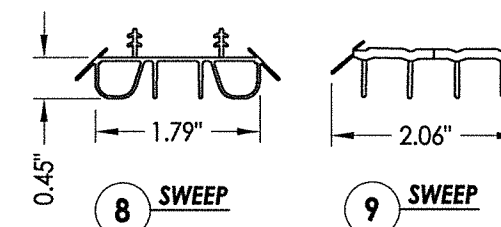
32 INSWING THRESHOLD  
Adjustable Composite Sill



33 OUTSWING THRESHOLD  
Composite Sill

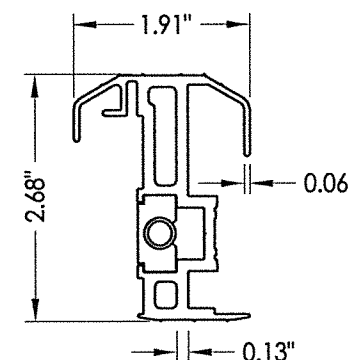


34 PUBLIC ACCESS THRESHOLD



8 SWEEP

9 SWEEP



44 COASTAL ASTRAGAL

**CONCRETE ANCHOR NOTES:**

- Concrete anchor locations at the corners may be adjusted to maintain the min. edge distance to mortar joints.
- Concrete anchor locations noted as "MAX. ON CENTER" must be adjusted to maintain the min. edge distance to mortar joints, additional concrete anchors may be required to ensure the "MAX. ON CENTER" dimension are not exceeded.
- Concrete anchor table:

ANCHOR TYPE	ANCHOR SIZE	MIN. EMBEDMENT	MIN. CLEARANCE TO MASONRY EDGE	MIN. CLEARANCE TO ADJACENT ANCHOR
ITW TAPCON®	1/4"	1-1/4"	2"	4"
DeWALT ULTRACON®	1/4"	1-1/4"	1"	4"
ITW TAPCON®	3/16"	1-1/4"	AS SHOWN	1-1/2"

**WOOD SCREW INSTALLATION NOTES:**

- Maintain a minimum 5/8" edge distance, 1" end distance, & 1" o.c. spacing of wood screws to prevent the splitting of wood.

Documents Prepared By: Lyndon F. Schmidt, P.E.  
TEXAS P.E. #104123

**RW** BUILDING CONSULTANTS, INC.  
P.O. Box 230 Valrico FL 33595  
Phone No.: 813.659.9197

TEXAS BOARD OF PROFESSIONAL ENGINEERS  
CERTIFICATE OF REGISTRATION # F-11852

PRODUCT: THERMA-TRU FIBERGLASS DOOR

PART OR ASSEMBLY: BILL OF MATERIALS & COMPONENTS

NO.	DATE	BY	REVISIONS

DATE: 7/21/21

SCALE: N.T.S.

DWG. BY: RW

CHK. BY: LFS

DRAWING NO.: TX-5229

SHEET 9 OF 9