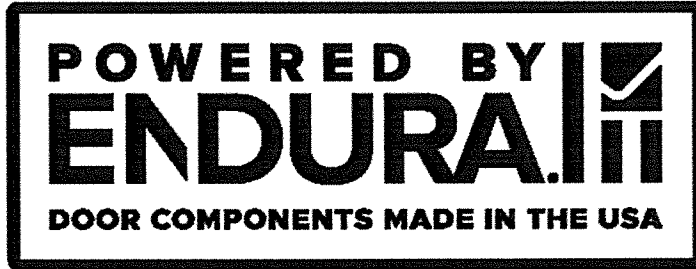


Z:\Clients\Endura PERMANENT\B - Texas Dept of Ins\TDI - DR-XXXX (Sub ID....) OPAQUE X XX PANOLOK\K - Drawings\TX-5215.dwg



PanoLock Multi-Point Lock in a Single or Double Door IN SWING / OUT SWING "NON-IMPACT"

EVALUATED FOR USE IN THE STATE OF TEXAS

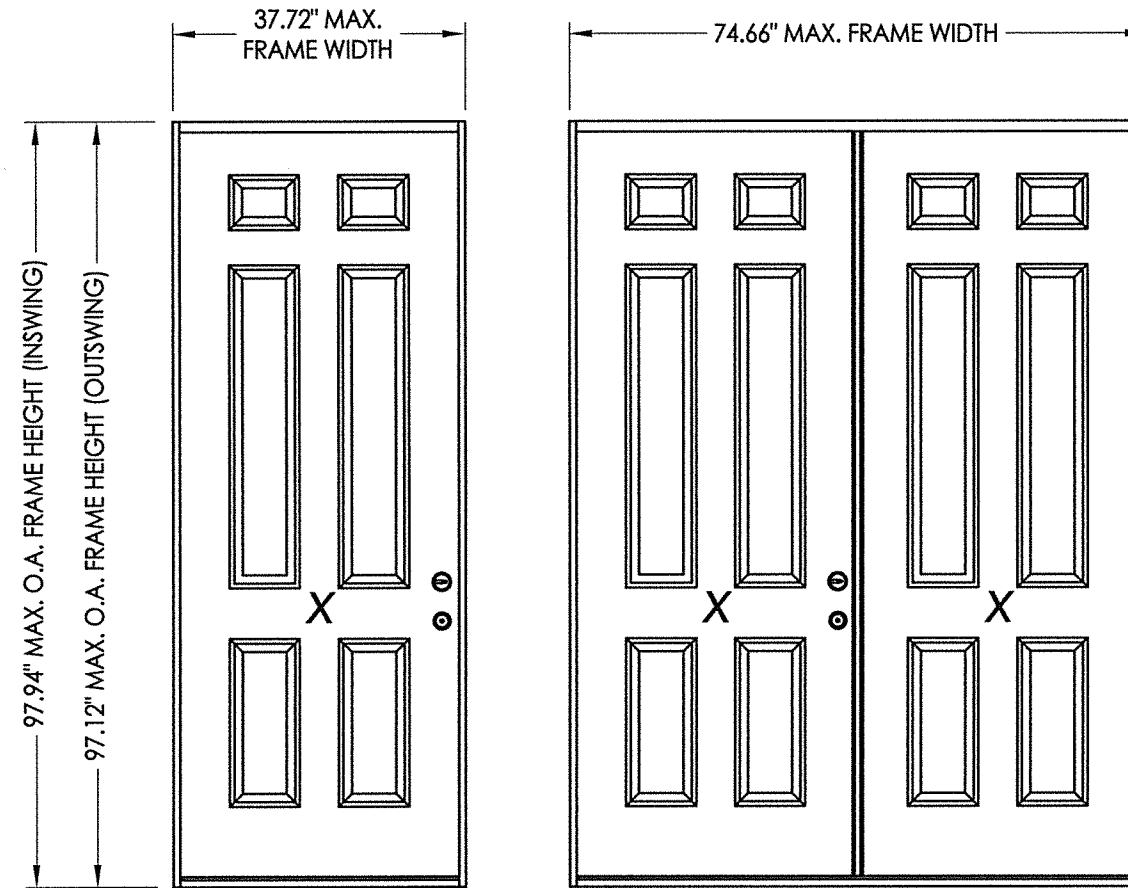
The Fiberglass Door system described herein complies with the 2018 International Residential Code (IRC), Sections R301 & R609 and the 2018 International Building Code (IBC), Sections 1404.13, 1609, 1709.5, 2403 and 2404 subject to the following conditions:

1. Anchors shall be as listed and spaced as shown in the details. Anchor embedment to base material shall be beyond wall dressing or stucco.
2. When used in areas requiring wind-borne debris protection this product is required to be protected with an impact resistant covering that complies with Section R301.2.1.2 of the IRC and Section 1609.2 of the IBC.
3. Allowable design pressure requirements must be equal to or less than the design pressure rating shown in the design pressure chart, sheet 1 of this drawing.
4. Conditions not covered by this drawing are subject to further engineering analysis.

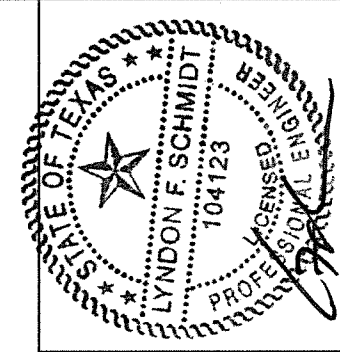
TABLE OF CONTENTS	
SHEET #	DESCRIPTION
1	Typical Sections, Design Pressures & General Notes
2	Door Panel Details
3	Door Panel Details
4	Elevations
5	Vertical Cross Sections
6	Horizontal Cross Sections
7	Frame Anchoring
8	Bill of Materials & Components



PanoLock Multi-Point Lock



CONFIGURATION	MAX FRAME DIMENSION	DESIGN PRESSURE (PSF)			
		IN SWING		OUT SWING	
		POSITIVE	NEGATIVE	POSITIVE	NEGATIVE
X	37.72" x 97.94"	+75.0	-75.0	+75.0	-75.0
XX	74.66" x 97.94"	+50.0	-50.0	+55.0	-55.0



Documents Prepared By: Lyndon F. Schmidt, P.E.
TEXAS P.E. #104123

RW BUILDING CONSULTANTS, INC.
P.O. Box 230 Valrico FL 33595
Phone No.: 813.659.9197

TEXAS BOARD OF PROFESSIONAL ENGINEERS
CERTIFICATE OF REGISTRATION # F-11852

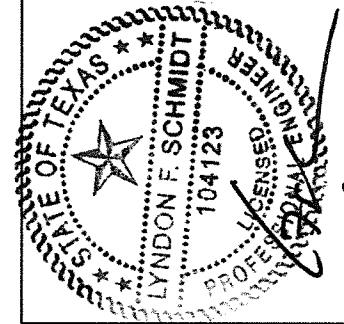
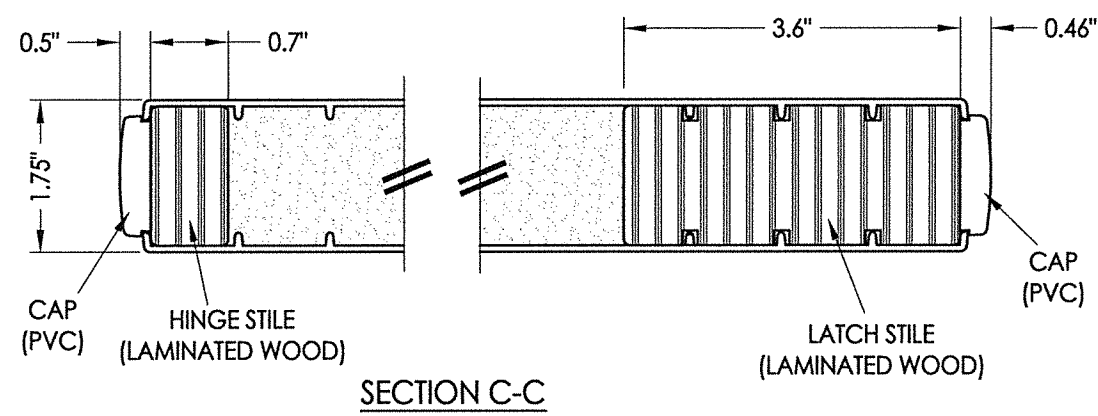
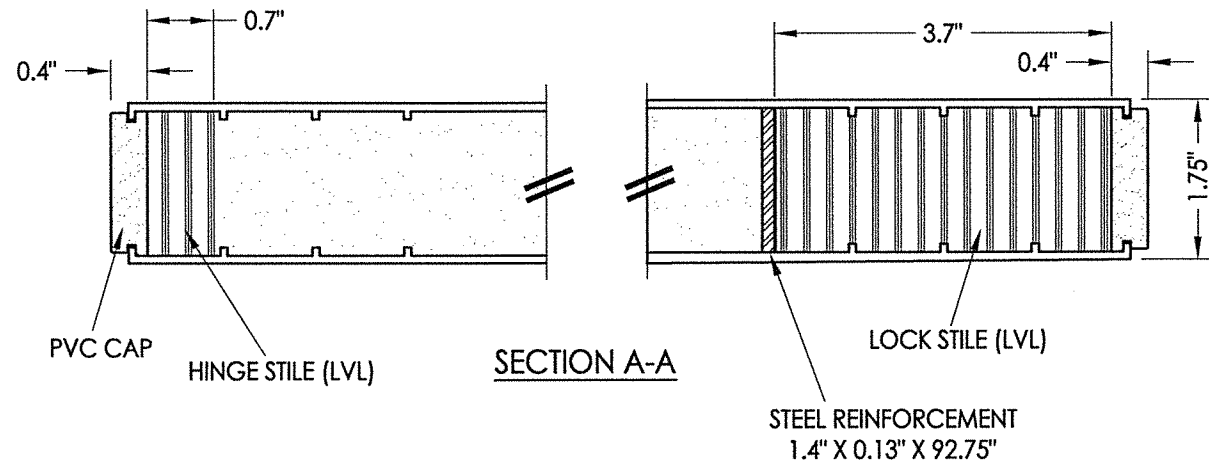
PRODUCT: ENDURA

PART OR ASSEMBLY: TYPICAL SECTIONS, DESIGN PRESSURES & GENERAL NOTES

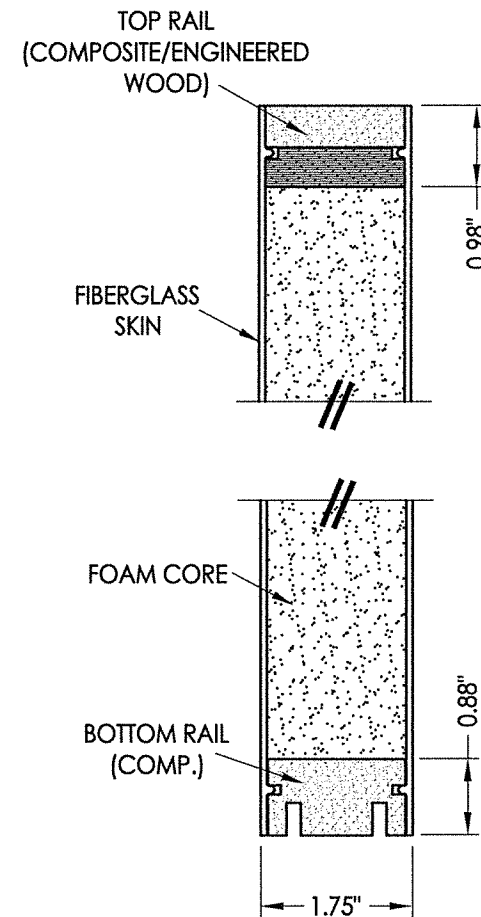
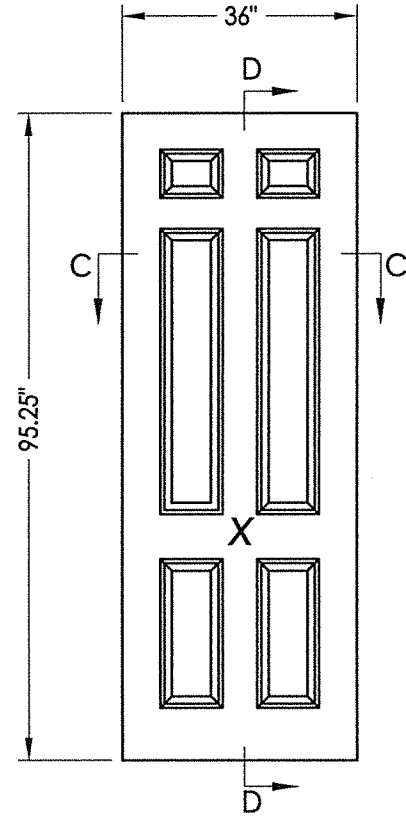
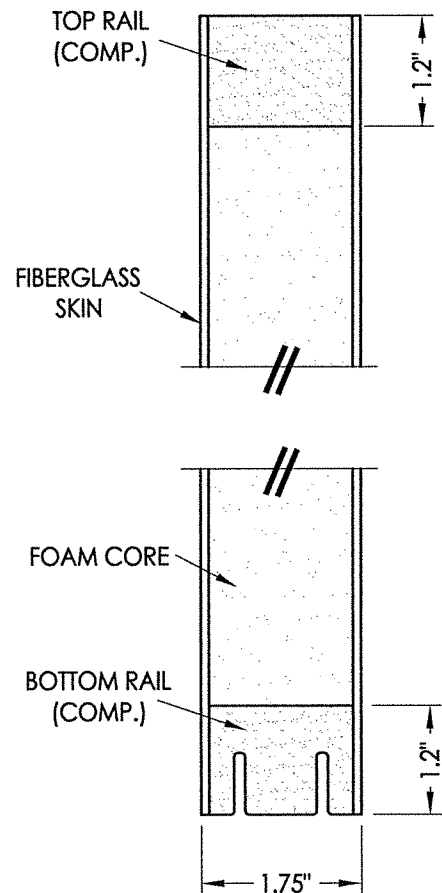
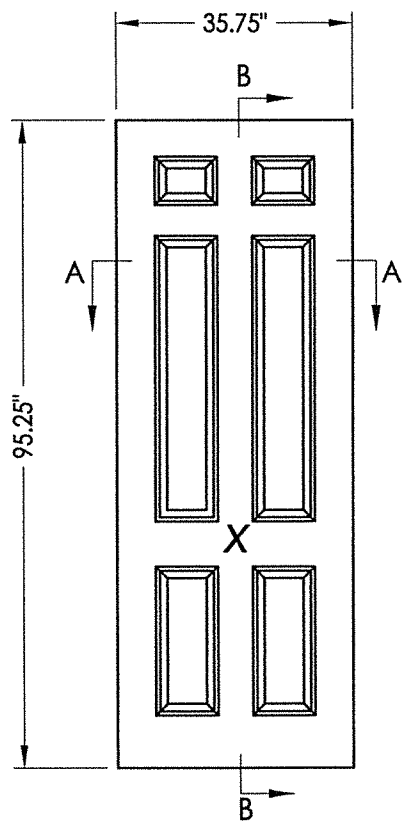
NO.	DATE	BY	REVISIONS

DATE: 6/16/21
SCALE: N.T.S.
DWG. BY: RW
CHK. BY: LFS
DRAWING NO.: TX-5215
SHEET 1 OF 8

Z:\Clients\Endura PERMANENT\B - Texas Dept of Ins\TDI - DR-XXXX (Sub ID ...) OPAQUE X XX PANLOCK\C - Drawings\TX-5215.dwg



Documents Prepared By: Lyndon F. Schmidt, P.E.
 TEXAS P.E. #104123
 BUILDING CONSULTANTS, INC.
 P.O. Box 230 Valrico FL 33595
 Phone No.: 813.659.9197
 TEXAS BOARD OF PROFESSIONAL ENGINEERS
 CERTIFICATE OF REGISTRATION # F-11852



FIBERGLASS DOOR PANEL
 Plastpro 8'-0"
 Opaque

SECTION B-B

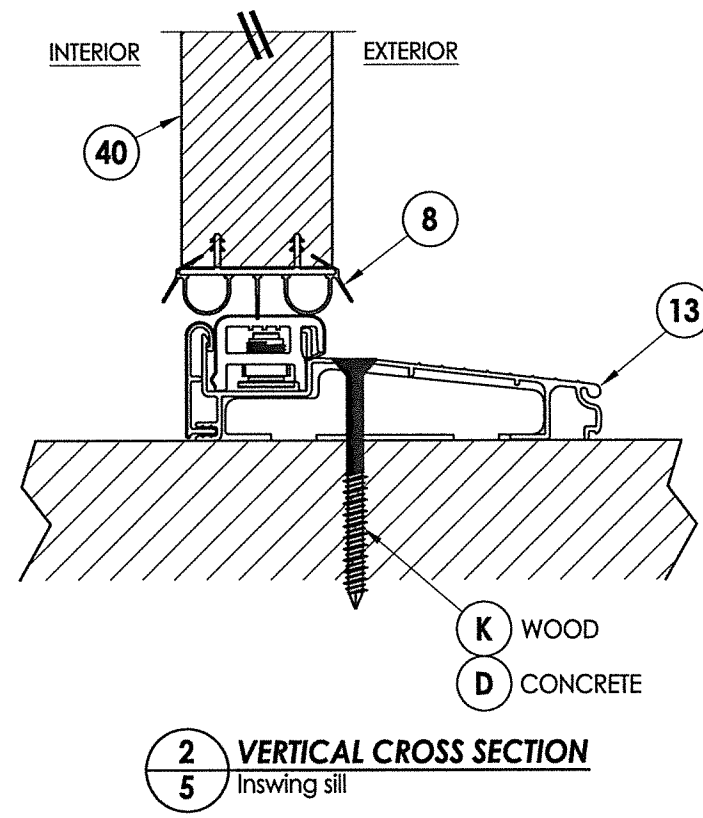
FIBERGLASS DOOR PANEL
 Therma-Tru 8'-0"
 Opaque

SECTION D-D

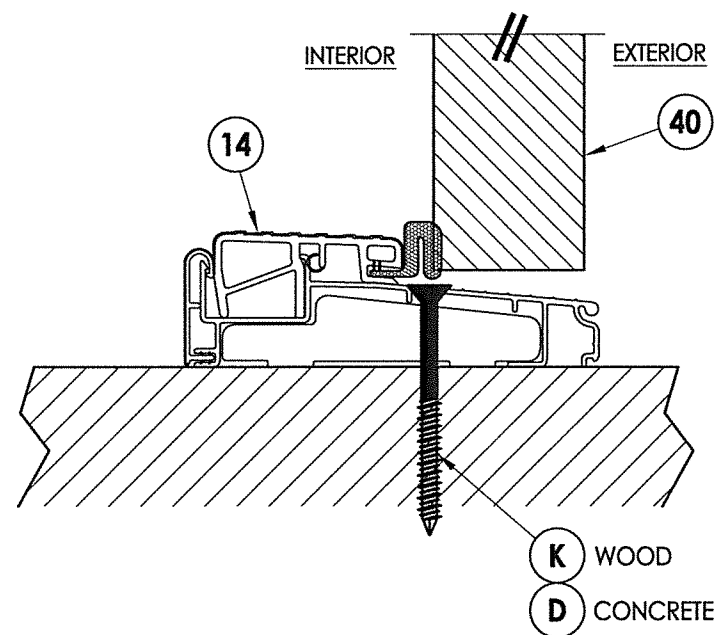
FIBERGLASS SKIN: 0.075" MIN. THK.
 FOAM CORE: POLYURETHANE

FIBERGLASS SKIN: 0.082" MIN. THK.
 FOAM CORE: POLYURETHANE

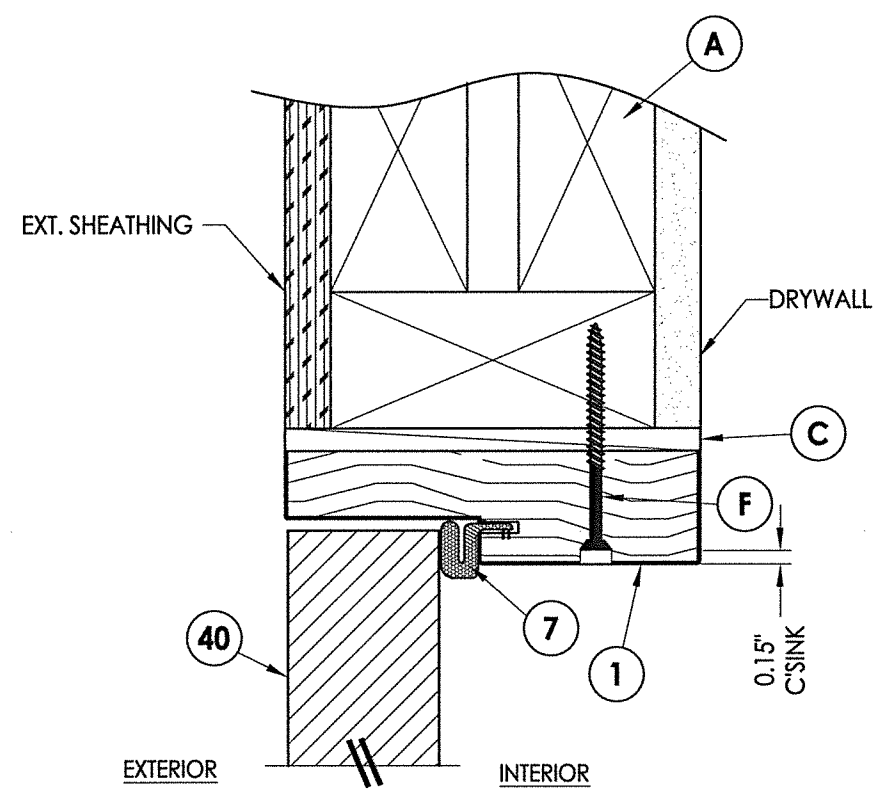
PRODUCT: ENDURA	
PART OR ASSEMBLY: DOOR PANEL DETAILS	
NO.	DATE
BY	BY
REVISIONS	
DATE: 6/16/21	
SCALE: N.T.S.	
DWG. BY: RW	
CHK. BY: LFS	
DRAWING NO.: TX-5215	
SHEET 2 OF 8	



2 VERTICAL CROSS SECTION
5 Inswing sill

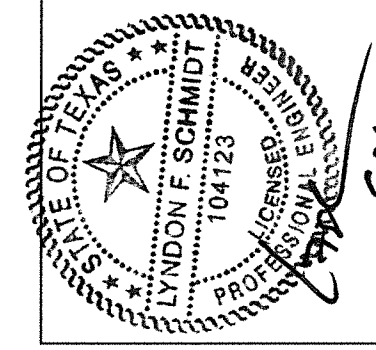


3 VERTICAL CROSS SECTION
5 Outswing sill



1 VERTICAL CROSS SECTION
5 Outswing shown (Inswing similar)

NOTE:
 1. SILL ANCHORS ARE NOT REQUIRED FOR SINGLE DOOR CONFIGURATIONS.



Documents Prepared By: Lyndon F. Schmidt, P.E.
 TEXAS P.E. #104123

RW BUILDING CONSULTANTS, INC.
 P.O. Box 230 Valrico FL 33595
 Phone No.: 813.659.9197

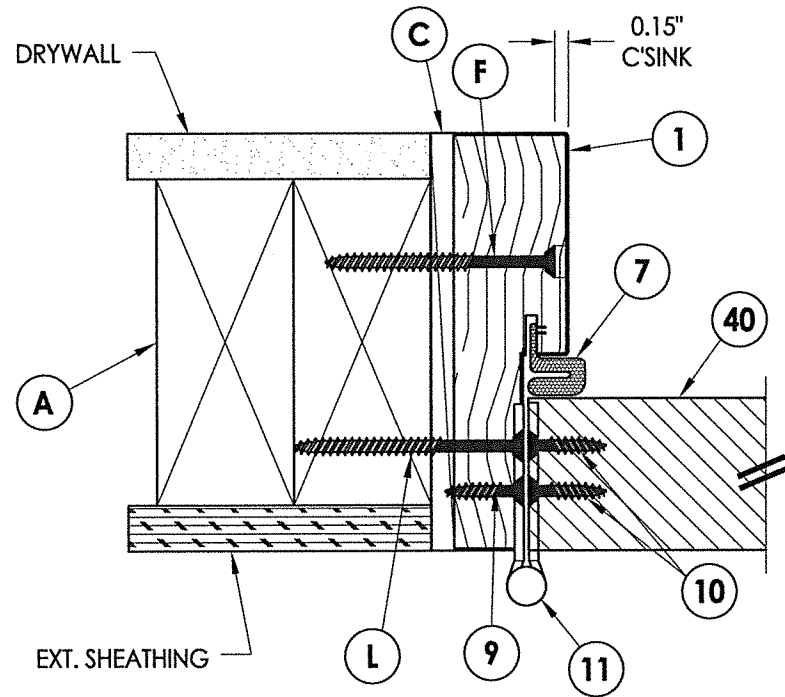
TEXAS BOARD OF PROFESSIONAL ENGINEERS
 CERTIFICATE OF REGISTRATION # F-11852

PRODUCT: ENDURA

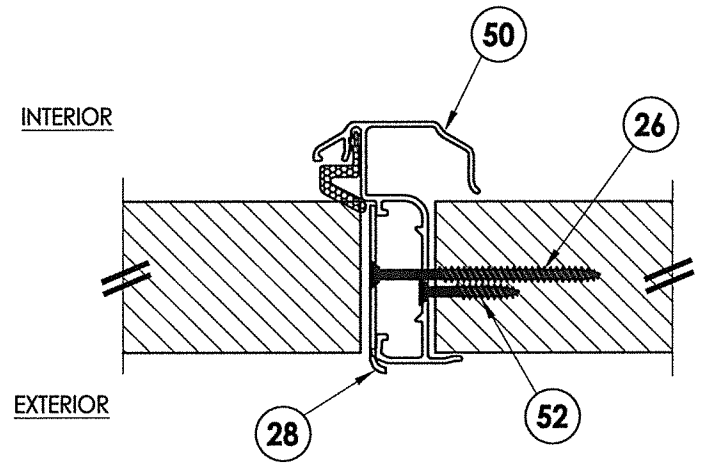
PART OR ASSEMBLY: VERTICAL CROSS SECTIONS

NO.	DATE	BY	REVISIONS

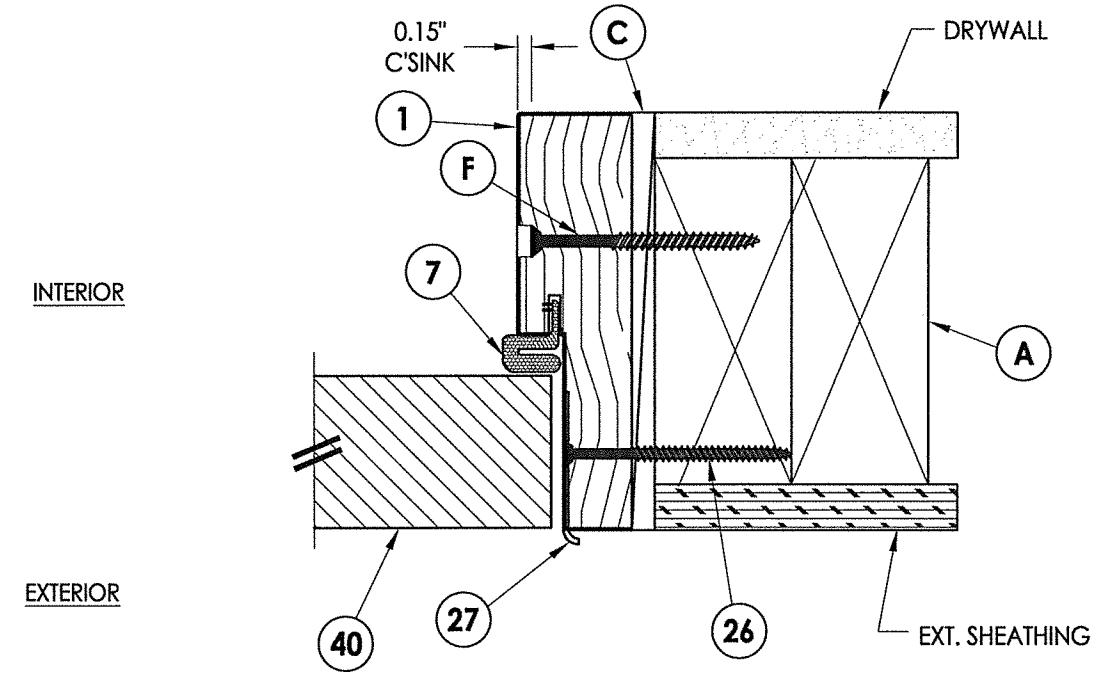
DATE: 6/16/21
 SCALE: N.T.S.
 DWG. BY: RW
 CHK. BY: LFS
 DRAWING NO.: TX-5215
 SHEET 5 OF 8



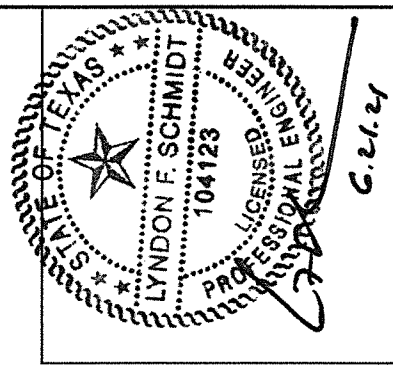
1
6 **HORIZONTAL CROSS SECTION**
Outswing shown (Inswing similar)



3
6 **HORIZONTAL CROSS SECTION**
Outswing shown (Inswing similar)



2
6 **HORIZONTAL CROSS SECTION**
Outswing shown (Inswing similar)



Documents Prepared By: Lyndon F. Schmidt, P.E.
TEXAS P.E. #104123

RW BUILDING CONSULTANTS, INC.
P.O. Box 230 Valrico FL 33595
Phone No.: 813.659.9197

TEXAS BOARD OF PROFESSIONAL ENGINEERS
CERTIFICATE OF REGISTRATION # F-11852

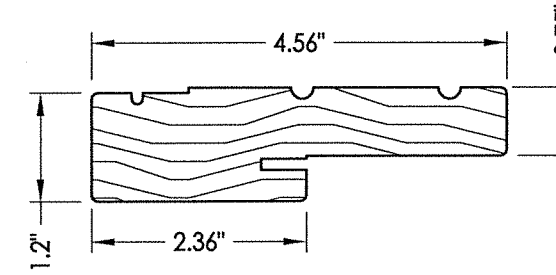
PRODUCT:	ENDURA
PART OR ASSEMBLY:	HORIZONTAL CROSS SECTIONS

NO.	DATE	BY	REVISIONS

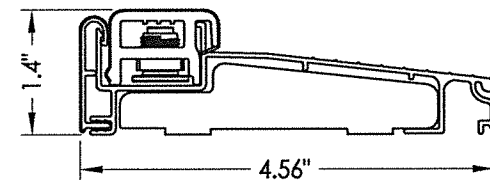
DATE:	6/16/21
SCALE:	N.T.S.
DWG. BY:	RW
CHK. BY:	LFS
DRAWING NO.:	TX-5215
SHEET	6 OF 8

BILL OF MATERIALS

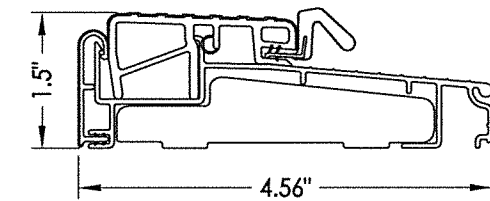
ITEM #	DESCRIPTION	MATERIAL
B	2X FRAMING (SG >= 0.42)	WOOD
C	1/4" MAX. SHIM SPACE	-
D	1/4" PFH DeWALT OR ITW CONCRETE SCREW (1-3/4" MIN. EMBEDMENT)	STEEL
F	#10 X 2-1/2" PFH WOOD SCREW (1.15" MIN. EMBEDMENT)	STEEL
G	3/16" PFH ITW CONCRETE SCREW (1-3/4" MIN. EMBEDMENT)	STEEL
K	#10 FH WOOD SCREW (1-3/4" MIN. EMBEDMENT)	STEEL
1	FINGER JOINTED PINE JAMB	WOOD
7	WEATHERSTRIP	FOAM
8	SWEEP	PVC
9	#9 X 3/4" PFH WOOD SCREW	STEEL
10	#9 X 1" PFH WOOD SCREW	STEEL
11	4" X 4" BUTT HINGE	STEEL
13	INSWING THRESHOLD	ALUM/COMP
14	OUTSWING THRESHOLD	ALUM/COMP
26	#8 X 2-1/2" PFH WOOD SCREW	STEEL
27	LATCH STRIKE PLATE (JAMB)	STEEL
28	LATCH STRIKE PLATE (ASTRAGAL)	STEEL
40	DOOR PANEL - SEE DOOR PANEL DETAIL SHEET FOR CONSTRUCTION DETAILS	-
50	ENDURA ULTIMATE PANOLOCK ASTRAGAL	ALUM
51	ASTRAGAL BOLT STRIKE PLATE	STEEL
52	#10 X 1-1/2" FH WOOD SCREW	STEEL



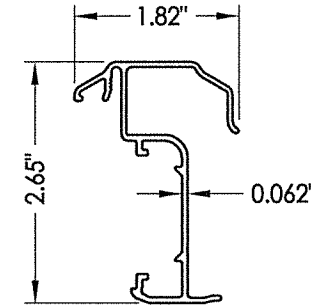
1 WOOD JAMB



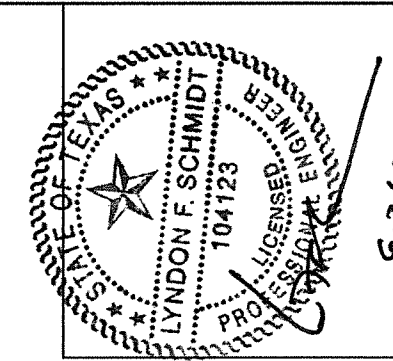
13 INSWING ADJUSTABLE THRESHOLD
ZAIL4565



14 OUTSWING THRESHOLD
ZOBL4565



50 ENDURA ULTIMATE PANOLOCK ASTRAGAL



Documents Prepared By: Lyndon F. Schmidt, P.E.
TEXAS P.E. #104123

RW
BUILDING CONSULTANTS, INC.
P.O. Box 230 Valrico FL 33595
Phone No.: 813.659.9197
TEXAS BOARD OF PROFESSIONAL ENGINEERS
CERTIFICATE OF REGISTRATION # F-11852

PRODUCT: ENDURA
PART OR ASSEMBLY: BILL OF MATERIALS & COMPONENTS

NO.	DATE	BY

DATE: 6/16/21
SCALE: N.T.S.
DWG. BY: RW
CHK. BY: LFS
DRAWING NO.: TX-5215
SHEET 8 OF 8

CONCRETE ANCHOR NOTES:

- Concrete anchor locations at the corners may be adjusted to maintain the min. edge distance to mortar joints.
- Concrete anchor locations noted as "MAX. ON CENTER" must be adjusted to maintain the min. edge distance to mortar joints, additional concrete anchors may be required to ensure the "MAX. ON CENTER" dimension are not exceeded.
- Concrete anchor table:

ANCHOR TYPE	ANCHOR SIZE	MIN. EMBEDMENT	MIN. CLEARANCE TO MASONRY EDGE	MIN. CLEARANCE TO ADJACENT ANCHOR
ITW BUILD EX TAPCON®	3/16"	1-3/4"	3"	1-1/2"
	1/4"	1-3/4"	2"	4"
DeWALT ULTRACON®	1/4"	1-3/4"	1"	4"

WOOD SCREW INSTALLATION NOTES:

- Maintain a minimum 5/8" edge distance, 1" end distance, & 1" o.c. spacing of wood screws to prevent the splitting of wood.