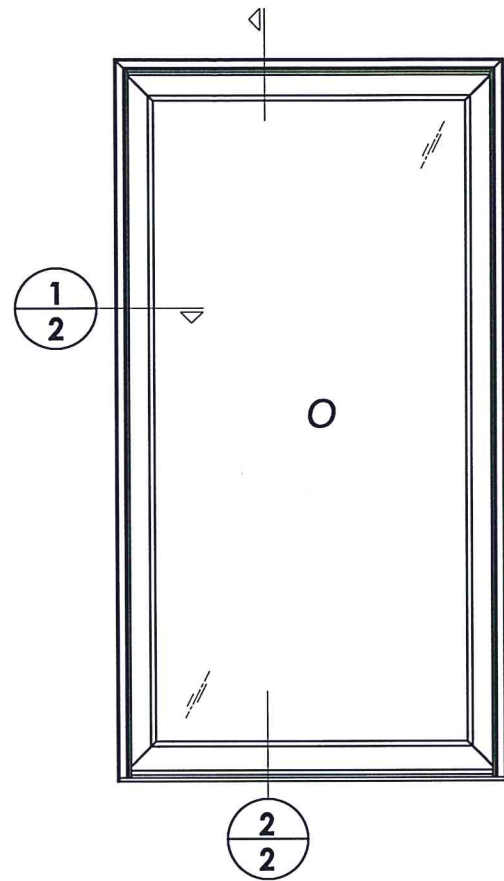
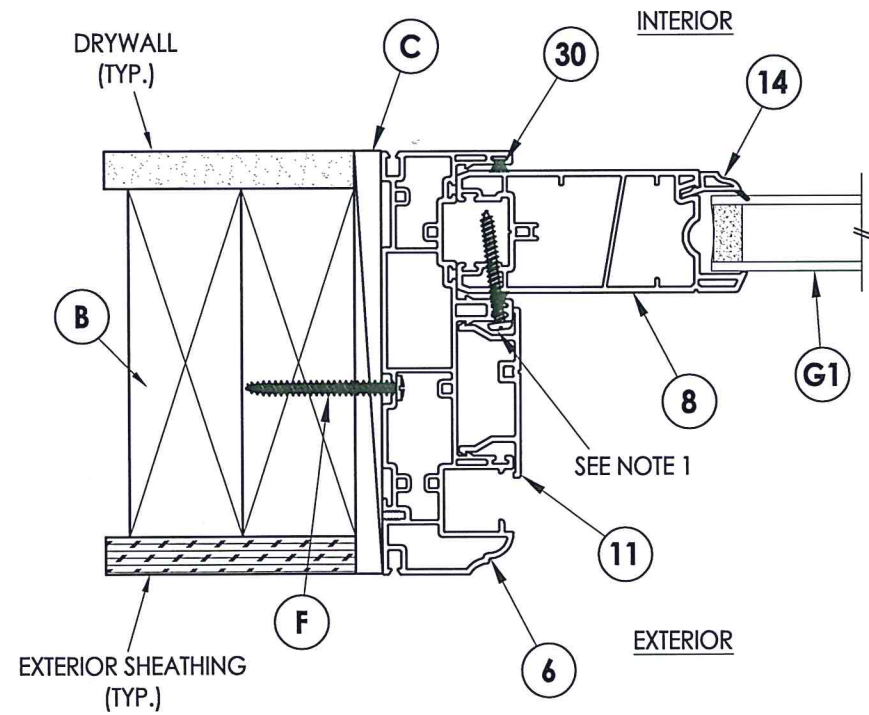




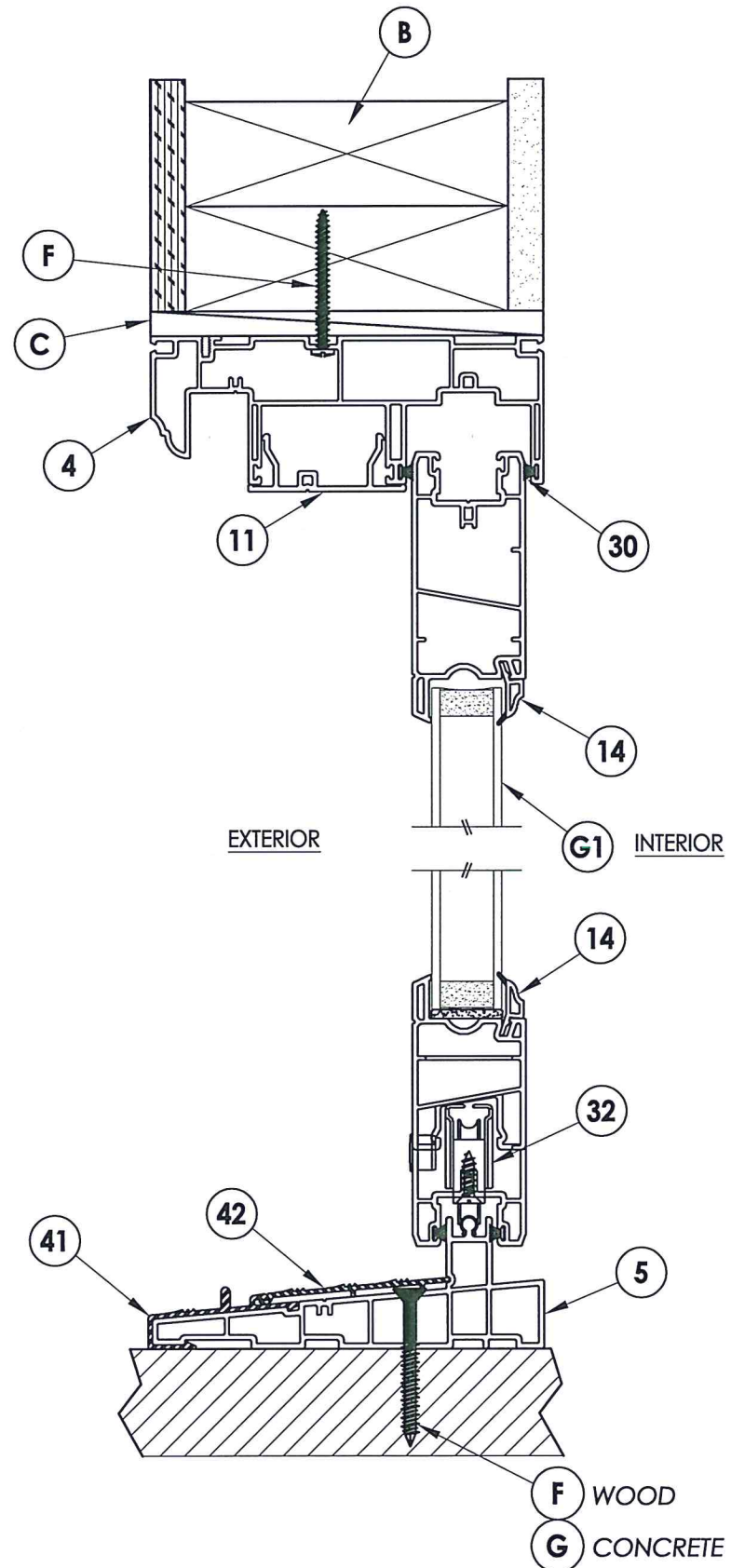
Z:\Clients\Sunrise Windows\B - Texas Dept of Ins\TDI - XXXX ID xxxx Fixed Patio Door Vanguard\C - Drawings\TX-5199.dwg



NOTE:  
 1. FIXED SASH PANEL SECURED TO JAMB  
 w/ (3) #8 X 1-1/4" PH SMS LOCATED 6"  
 FROM ENDS AND @ CENTERLINE.



**1**  
**2** HORIZONTAL CROSS SECTION



**2**  
**2** VERTICAL CROSS SECTION

**F** WOOD  
**G** CONCRETE



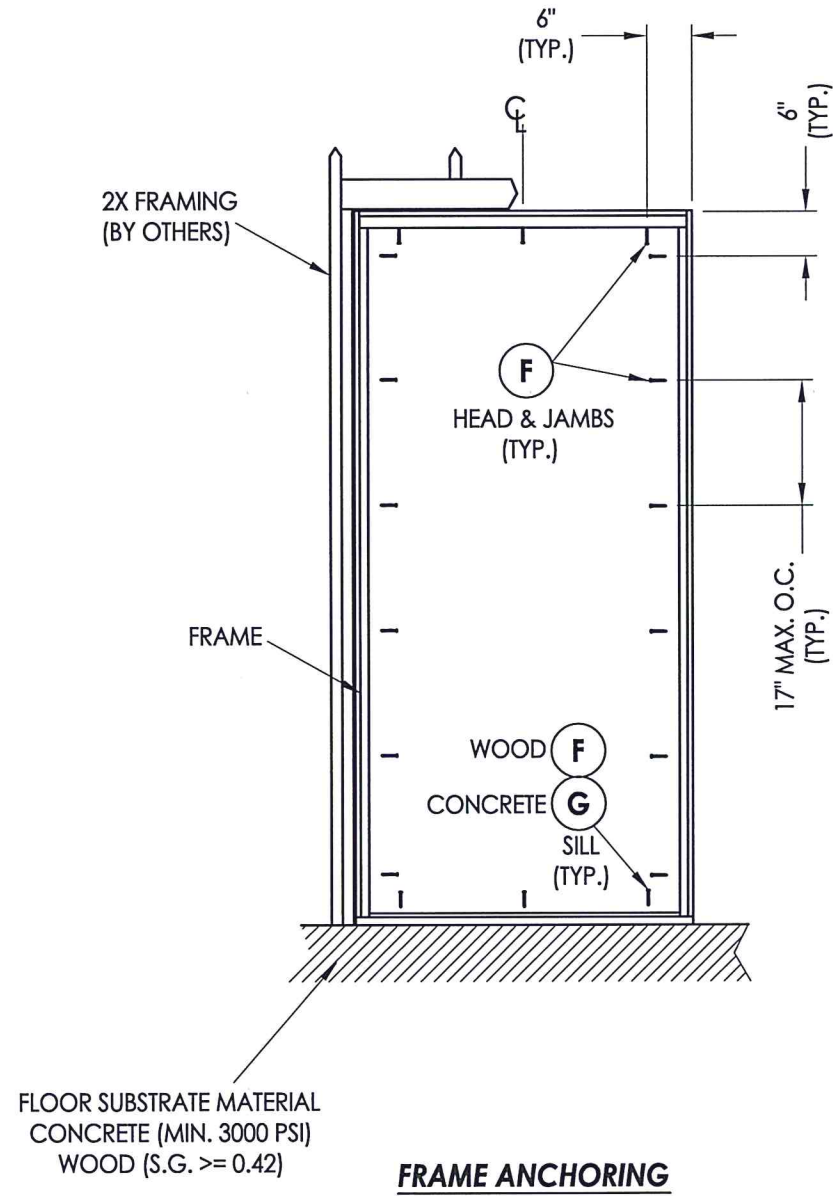
Documents Prepared By: Lyndon F. Schmidt, P.E.  
 TEXAS P.E. #104123  
 BUILDING CONSULTANTS, INC.  
 P.O. Box 230 Valrico FL, 33595  
 Phone No.: 813.659.9197  
 TEXAS BOARD OF PROFESSIONAL ENGINEERS  
 CERTIFICATE OF REGISTRATION # F-11852

PRODUCT: SUNRISE WINDOWS  
 PART OR ASSEMBLY: HORIZONTAL & VERTICAL CROSS SECTIONS

NO.	DATE	BY	REVISIONS

DATE: 5/3/21  
 SCALE: N.T.S.  
 DWG. BY: RW  
 CHK. BY: LFS  
 DRAWING NO.: TX-5199  
 SHEET 2 OF 4





**CONCRETE ANCHOR NOTES:**

- Concrete anchor locations at the corners may be adjusted to maintain the min. edge distance to mortar joints.
- Concrete anchor locations noted as "MAX. ON CENTER" must be adjusted to maintain the min. edge distance to mortar joints, additional concrete anchors may be required to ensure the "MAX. ON CENTER" dimension are not exceeded.
- Concrete anchor table:

ANCHOR TYPE	ANCHOR SIZE	MIN. EMBEDMENT	MIN. CLEARANCE TO MASONRY EDGE	MIN. CLEARANCE TO ADJACENT ANCHOR
ITW TAPCON®	1/4"	1-3/4"	1-1/2"	4"
DeWALT ULTRACON®	1/4"	1-3/4"	2-1/2"	4"

**WOOD SCREW INSTALLATION NOTES:**

- Maintain a minimum 5/8" edge distance, 1" end distance, & 1" o.c. spacing of wood screws to prevent the splitting of wood.



Documents Prepared By: Lyndon F. Schmidt, P.E.  
TEXAS P.E. #104123

**RW** BUILDING CONSULTANTS, INC.  
P.O. Box 230 Valrico FL 33595  
Phone No.: 813.659.9197

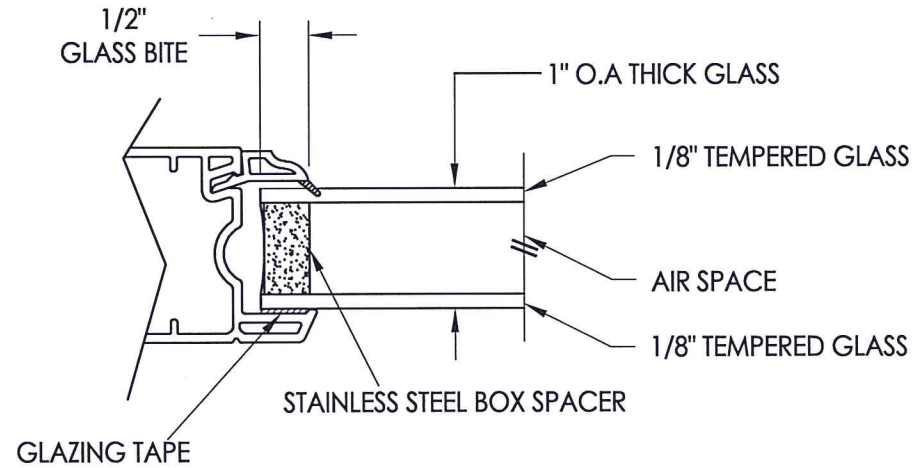
TEXAS BOARD OF PROFESSIONAL ENGINEERS  
CERTIFICATE OF REGISTRATION # F-11852

PRODUCT:		SUNRISE WINDOWS
PART OR ASSEMBLY:		FRAME ANCHORING
NO.	DATE	BY
REVISIONS		
DATE: 5/3/21		
SCALE: N.T.S.		
DWG. BY: RW		
CHK. BY: LFS		
DRAWING NO.: TX-5199		
SHEET 3 OF 4		

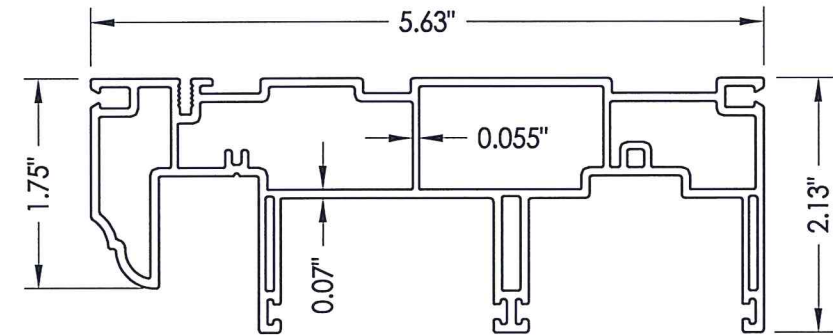
**BILL OF MATERIALS**

ITEM #	DESCRIPTION	MATERIAL
B	2X FRAMING (SG >= 0.42)	WOOD
C	3/8" MAX. SHIM SPACE	-
F	#10 X 2" PPH SMS (1-3/8" MIN. EMBEDMENT)	STEEL
G	1/4" FH DeWALT OR ITW CONCRETE SCREW (1-3/4" MIN. EMBEDMENT)	STEEL
4	PD HEAD JAMB*	RIGID PVC
5	PD SILL*	RIGID PVC
6	PD JAMB*	RIGID PVC
8	PD SASH JAMB STILE*	RIGID PVC
11	JAMB COVER*	RIGID PVC
14	GLAZING BEAD*	RIGID PVC
30	FIN WEATHERSTRIP	-
31	BULB WEATHERSTRIP	NEOPRENE
41	SILL NOSING	ALUM
42	SILL EXTENDER	ALUM

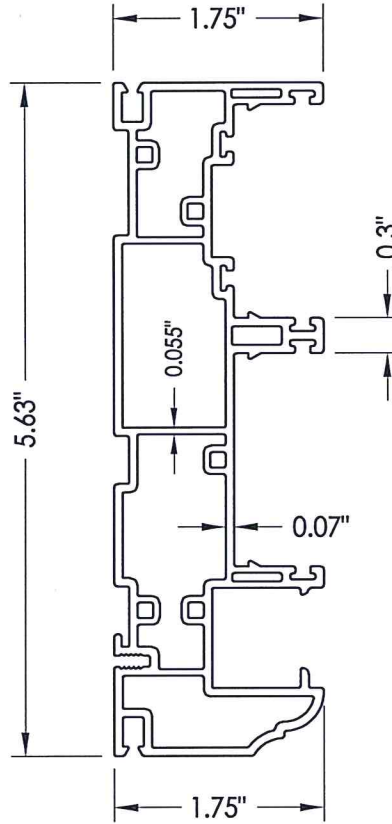
\* THE APPROVED WHITE RIGID PVC EXTERIOR EXTRUSIONS FOR WINDOWS ARE TO BE PRODUCED BY EXTRUDERS LICENSEES IN "AAMA CERTIFICATION PROGRAMS FOR RIGID PVC EXTRUSIONS".



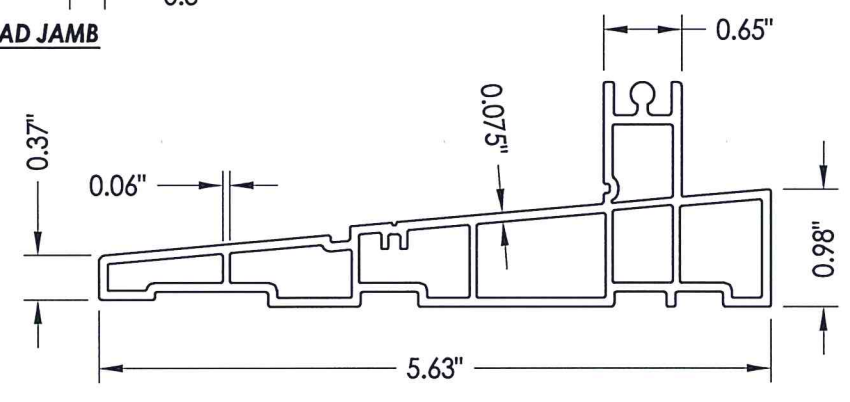
**G1 GLAZING DETAIL**



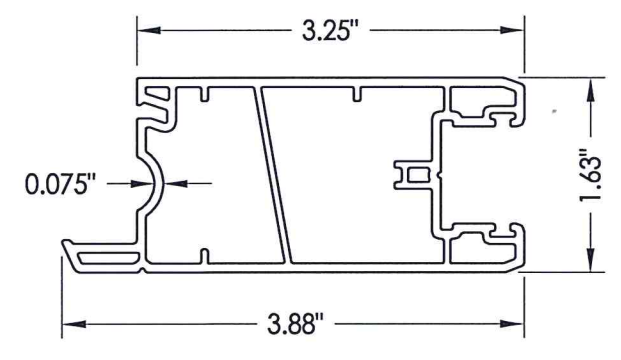
**4 PD HEAD JAMB**



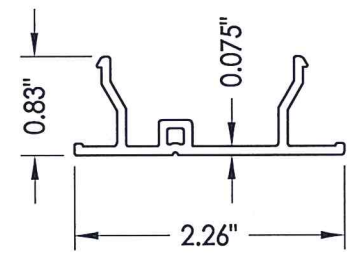
**6 PD JAMB**



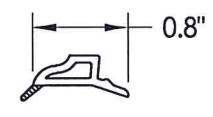
**5 PD SILL**



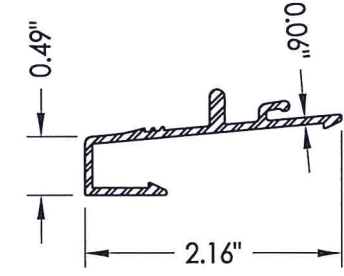
**8 PD SASH Jamb Stile**



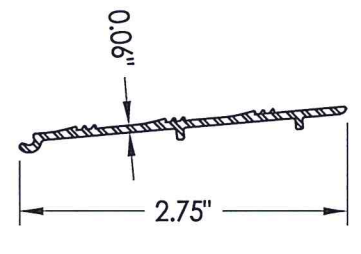
**11 JAMB COVER**



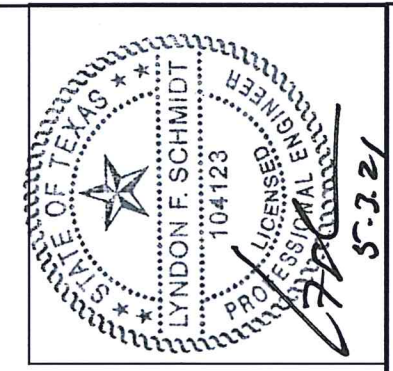
**14 GLAZING BEAD**



**41 SILL NOSING**



**42 SILL EXTENDER**



Documents Prepared By: Lyndon F. Schmidt, P.E.  
 TEXAS P.E. #104123

**RW** BUILDING CONSULTANTS, INC.  
 P.O. Box 230 Valrico FL 33595  
 Phone No.: 813.659.9197

TEXAS BOARD OF PROFESSIONAL ENGINEERS  
 CERTIFICATE OF REGISTRATION # F-11852

PRODUCT: SUNRISE WINDOWS

PART OR ASSEMBLY: BILL OF MATERIALS, COMPONENTS & GLAZING DETAILS

NO.	DATE	BY	REVISIONS

DATE: 5/3/21  
 SCALE: N.T.S.  
 DWG. BY: RW  
 CHK. BY: LFS  
 DRAWING NO.: TX-5199  
 SHEET 4 OF 4