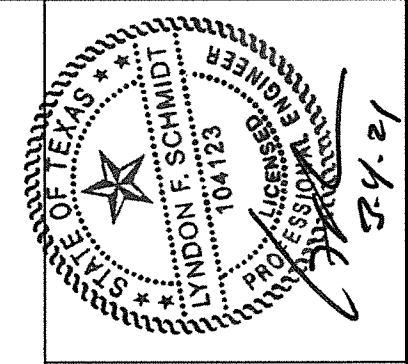


# THERMA-TRU® DOORS

Classic-Craft®



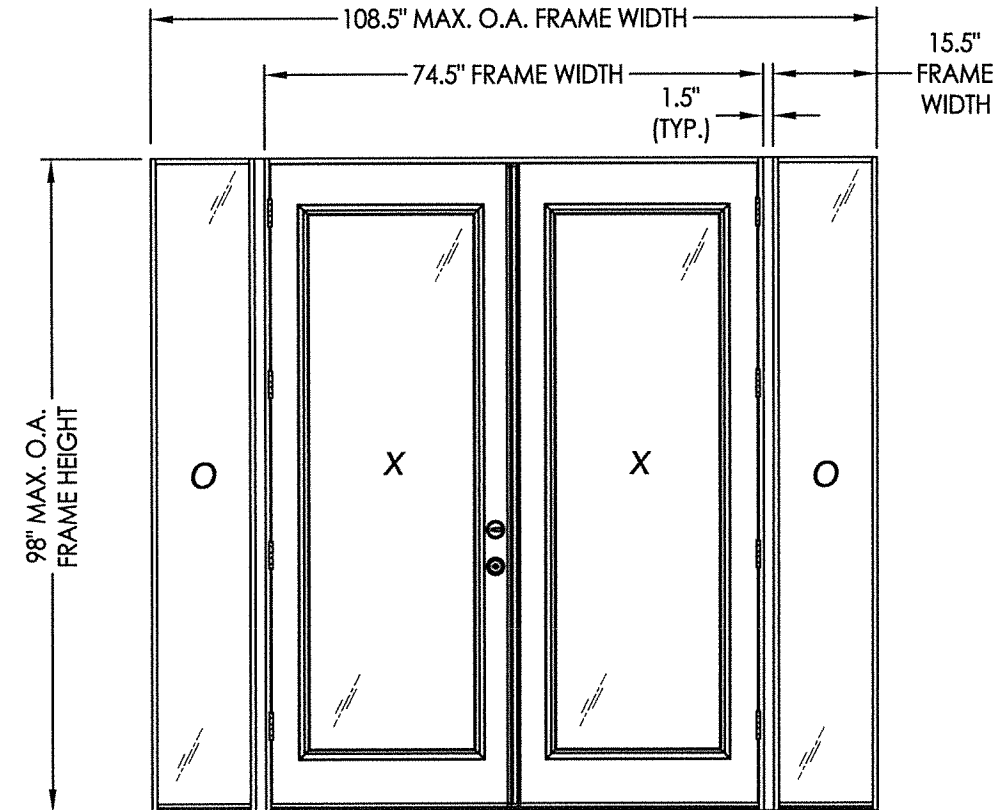
Documents Prepared By: Lyndon F. Schmidt, P.E.  
TEXAS P.E. #104123

RW BUILDING CONSULTANTS, INC.  
P.O. Box 230 Valrico FL 33595  
Phone No.: 813.659.9197

TEXAS BOARD OF PROFESSIONAL ENGINEERS  
CERTIFICATE OF REGISTRATION # F-11852

## GLAZED FIBERGLASS DOUBLE DOOR w/ or w/out SIDELITES

INSWING  
"NON-IMPACT"



### EVALUATED FOR USE IN THE STATE OF TEXAS

The Fiberglass Door system described herein complies with the 2018 International Residential Code (IRC), Sections R301 & R609 and the 2018 International Building Code (IBC), Sections 1404.13, 1609, 1709.5, 2403 and 2404 subject to the following conditions:

1. Anchors shall be as listed and spaced as shown in the details. Anchor embedment to base material shall be beyond wall dressing or stucco.
2. When used in areas requiring wind-borne debris protection this product is required to be protected with an impact resistant covering that complies with Section R301.2.1.2 of the IRC and Section 1609.1.2 of the IBC.
3. Allowable design pressure requirements must be equal to or less than the design pressure rating shown in the design pressure chart, sheet 1 of this drawing.
4. Conditions not covered by this drawing are subject to further engineering analysis.

TABLE OF CONTENTS

SHEET #	DESCRIPTION	SHEET #	
1	Typical Elevations, Design Pressures & General Notes	7	Vertical Cross Sections
2	Door Panel Details	8	Frame Anchoring
3	Door Panel Details	9	Hardware Details
4	Sidelite Panel Details	10	Glazing Details
5	Elevations	11	Bill of Materials & Components
6	Horizontal Cross Sections		

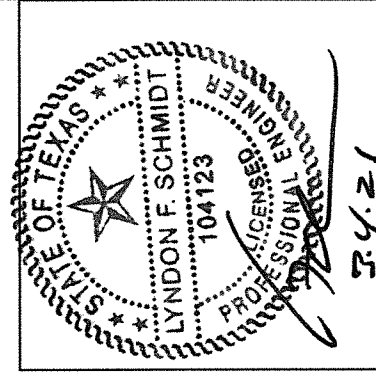
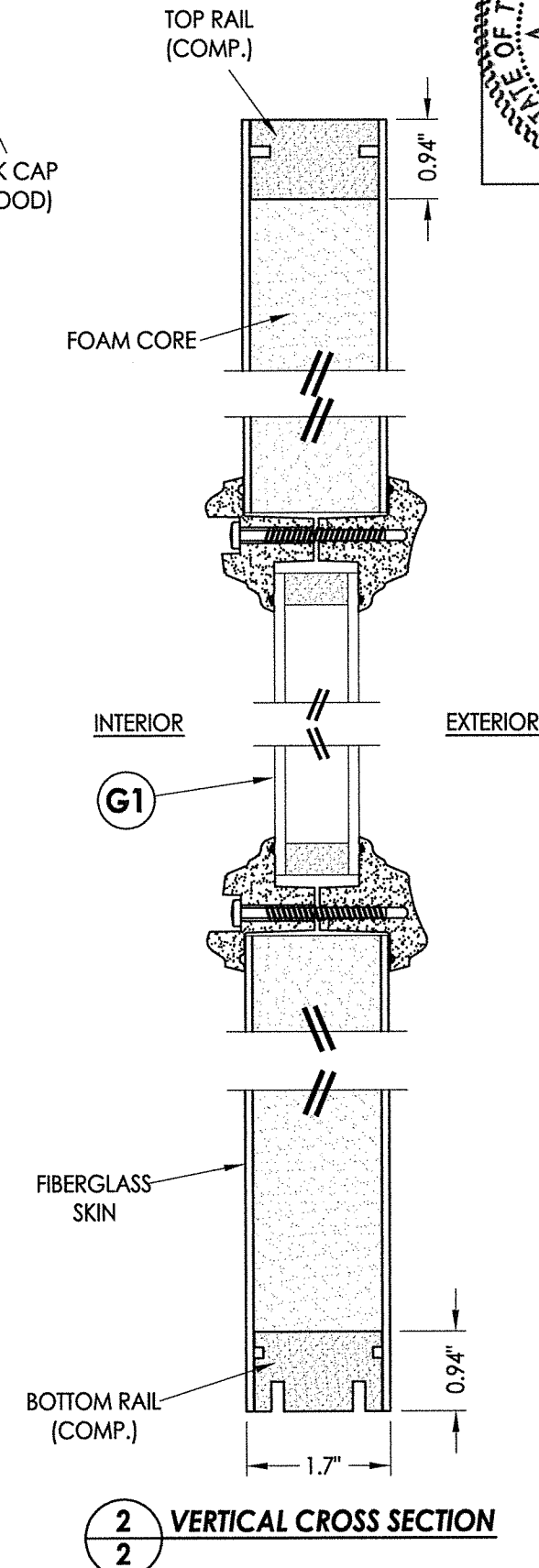
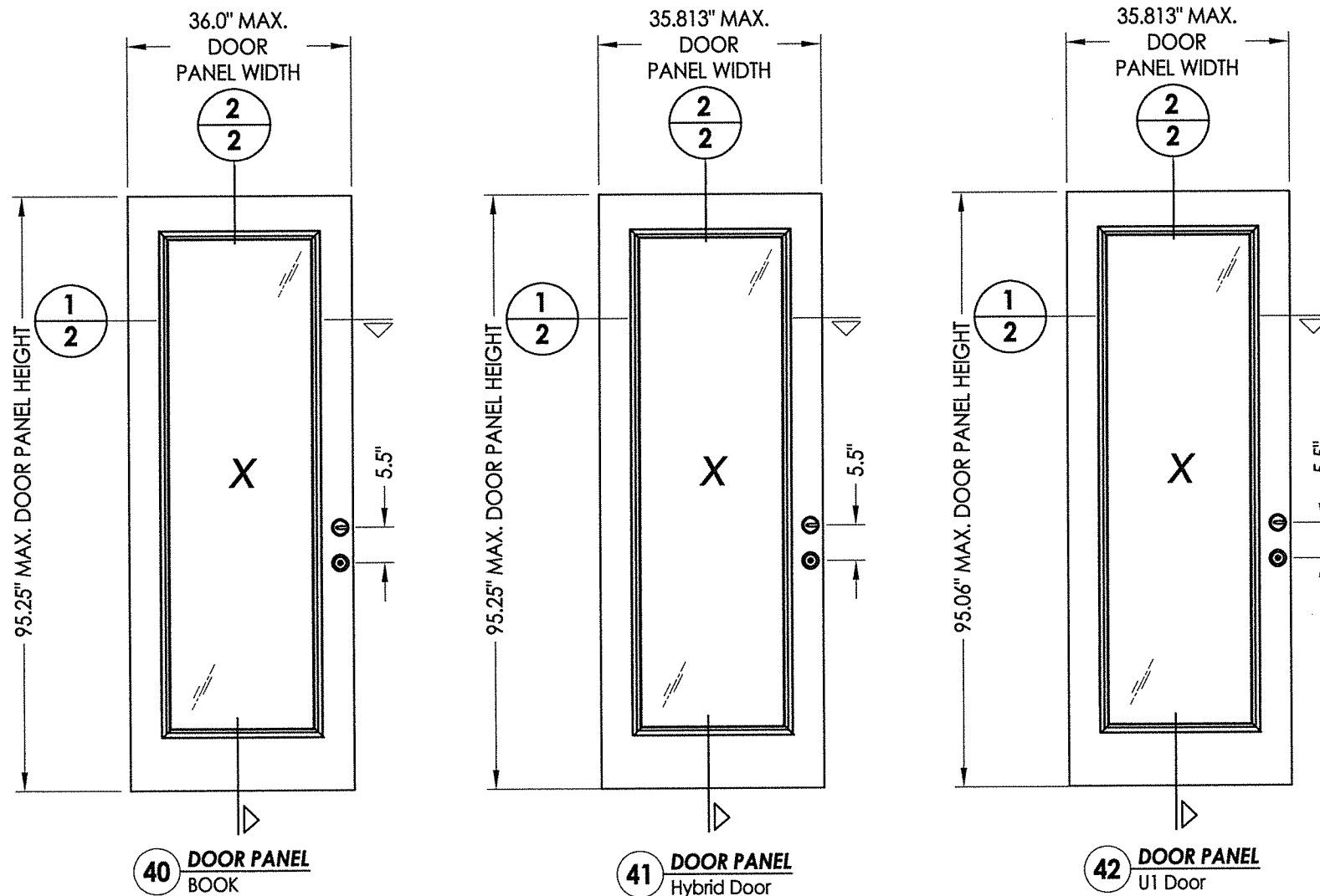
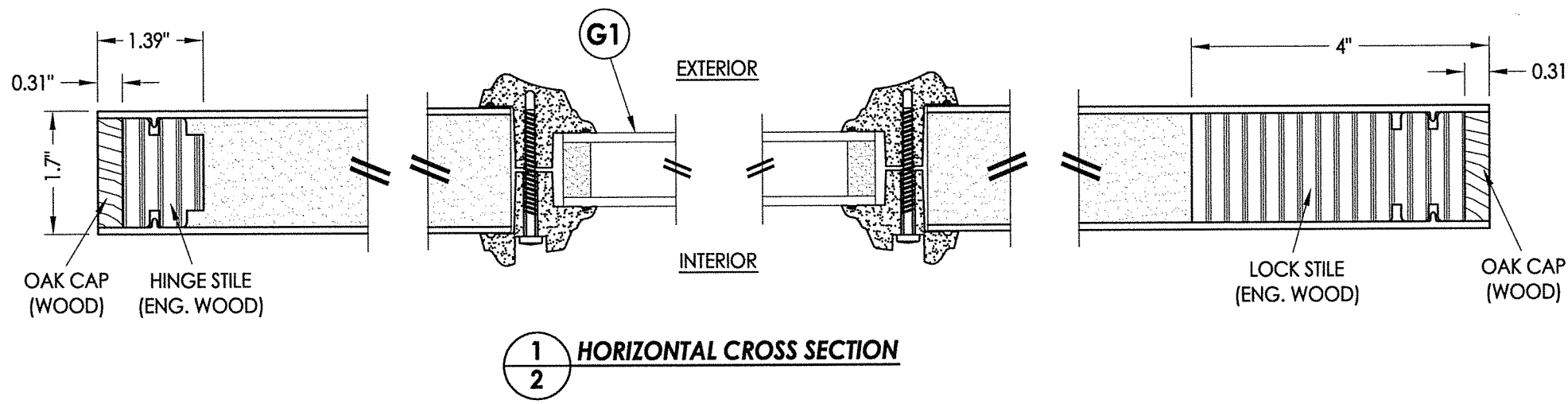
CONFIGURATION	DOOR GLAZING	2X REINFORCEMENT REQUIRED	ASTRAGAL	DESIGN PRESSURE (PSF) w/ FJ PINE JAMBS		DESIGN PRESSURE (PSF) w/ COMPOSITE JAMBS	
				POSITIVE	NEGATIVE	POSITIVE	NEGATIVE
OXXO	LIP LITE	NO	STANDARD	+30.0	-35.0	+30.0	-35.0
		YES	COASTAL	+35.0	-40.0	+35.0	-40.0
	FLUSH	NO	STANDARD	+30.0	-35.0	+35.0	-40.0
		YES	COASTAL	+45.0	-45.0	+50.0	-50.0

PRODUCT: THERMA-TRU FIBERGLASS DOOR  
PART OR ASSEMBLY: TYPICAL ELEVATION, DESIGN PRESSURES & GENERAL NOTES

NO.	DATE	BY	REVISIONS

DATE: 1/06/21  
SCALE: N.T.S.  
DWG. BY: RW  
CHK. BY: LFS  
DRAWING NO.: TX-5163  
SHEET 1 OF 11

Z:\Clients\Therma Tru PERMANENT\B - Texas Dept of Ins\TDI - DR XXX - 68, 7 & 8 CC Glazed FG NonImp IS Dir Set Sidelites (TX 5152-5157)\C - Drawings\TX-5162-63.dwg



**"Classic-Craft" SERIES DOOR PANEL**  
FIBERGLASS DOOR SKIN: 0.125" MIN. THK.  
FOAM CORE: POLYURETHANE FOAM (1.9 PCF MIN.)

Documents Prepared By: Lyndon F. Schmidt, P.E.  
TEXAS P.E. #104123

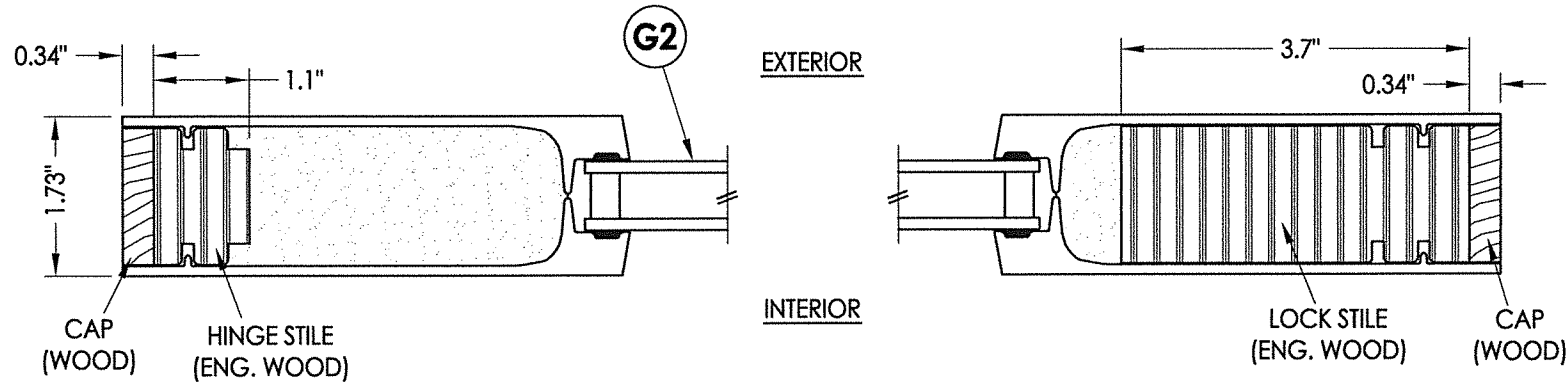
**RW** BUILDING CONSULTANTS, INC.  
P.O. Box 230 Valrico FL 33595  
Phone No.: 813.659.9197

TEXAS BOARD OF PROFESSIONAL ENGINEERS  
CERTIFICATE OF REGISTRATION # F-11852

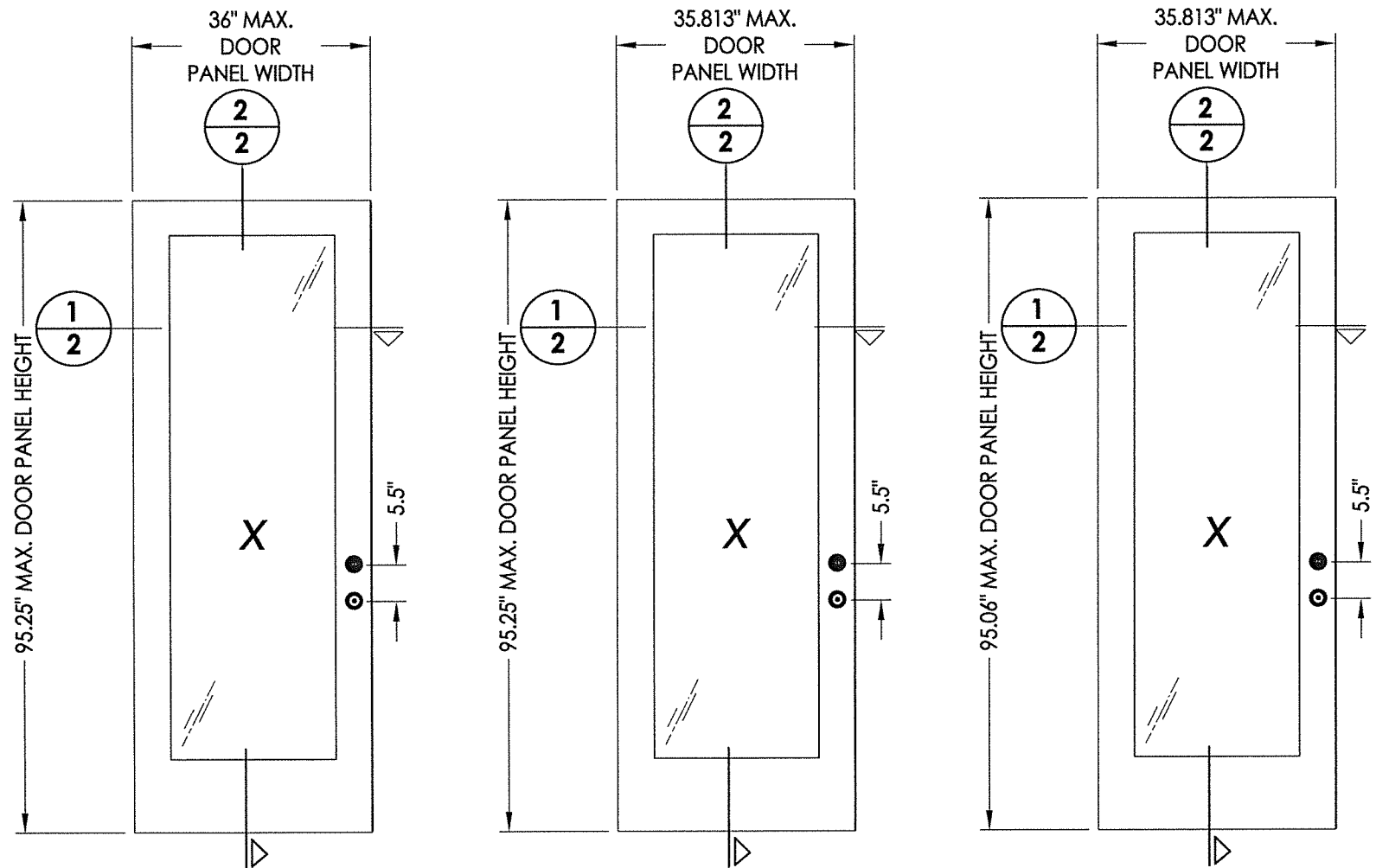
PRODUCT: THERMA-TRU FIBERGLASS DOOR  
PART OR ASSEMBLY: DOOR PANEL DETAILS

NO.	DATE	BY	REVISIONS

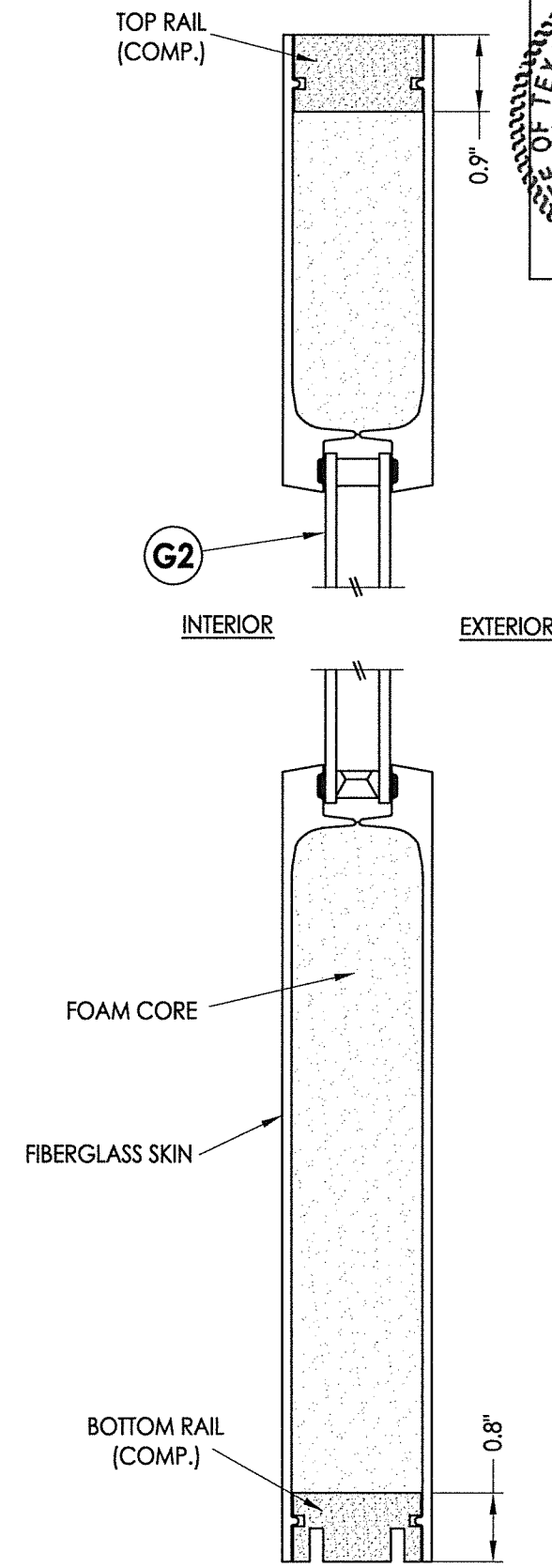
DATE: 1/06/21  
SCALE: N.T.S.  
DWG. BY: RW  
CHK. BY: LFS  
DRAWING NO.: TX-5163  
SHEET 2 OF 11



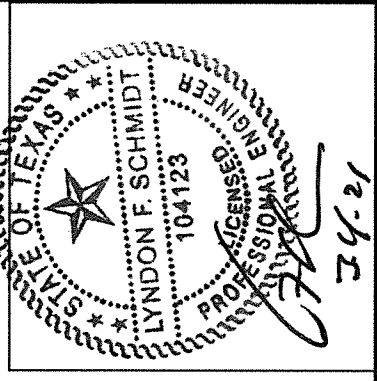
**1**  
**3** HORIZONTAL CROSS SECTION



**43** DOOR PANEL BOOK  
**44** DOOR PANEL Hybrid Door  
**45** DOOR PANEL U1 Door



**2**  
**3** VERTICAL CROSS SECTION

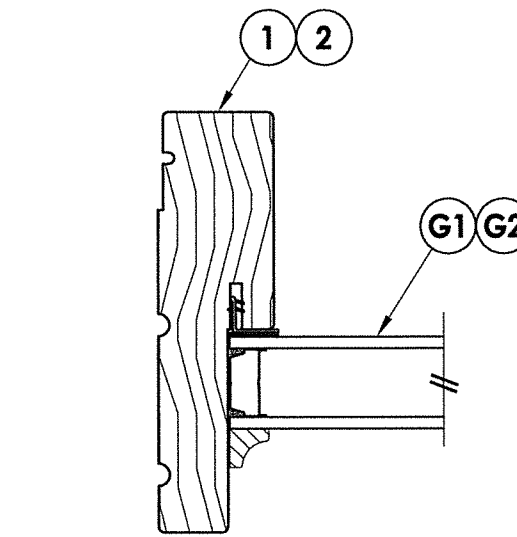


Documents Prepared By: Lyndon F. Schmidt, P.E.  
 TEXAS P.E. #104123  
**RW** BUILDING CONSULTANTS, INC.  
 P.O. Box 230 Valrico FL 33595  
 Phone No.: 813.659.9197  
 TEXAS BOARD OF PROFESSIONAL ENGINEERS  
 CERTIFICATE OF REGISTRATION # F-11852

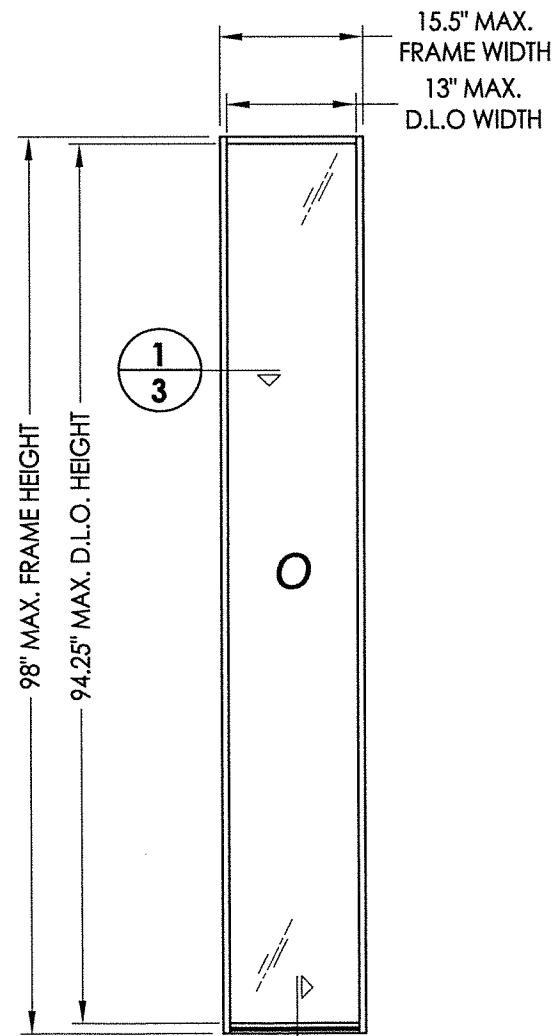
PRODUCT: THERMA-TRU FIBERGLASS DOOR  
 PART OR ASSEMBLY: DOOR PANEL DETAILS

NO.	DATE	BY	REVISIONS

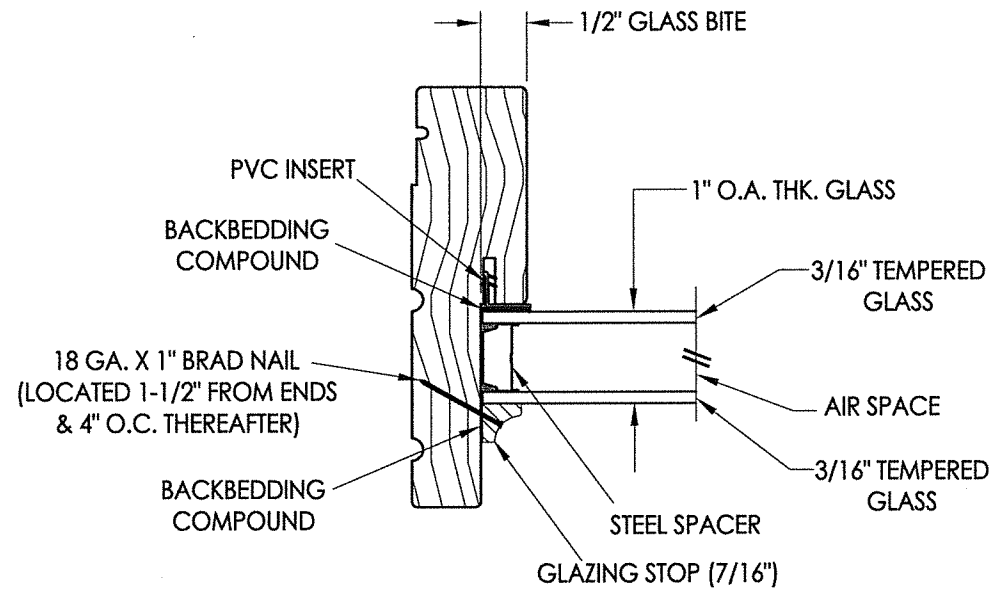
DATE: 1/06/21  
 SCALE: N.T.S.  
 DWG. BY: RW  
 CHK. BY: LFS  
 DRAWING NO.: TX-5163  
 SHEET 3 OF 11



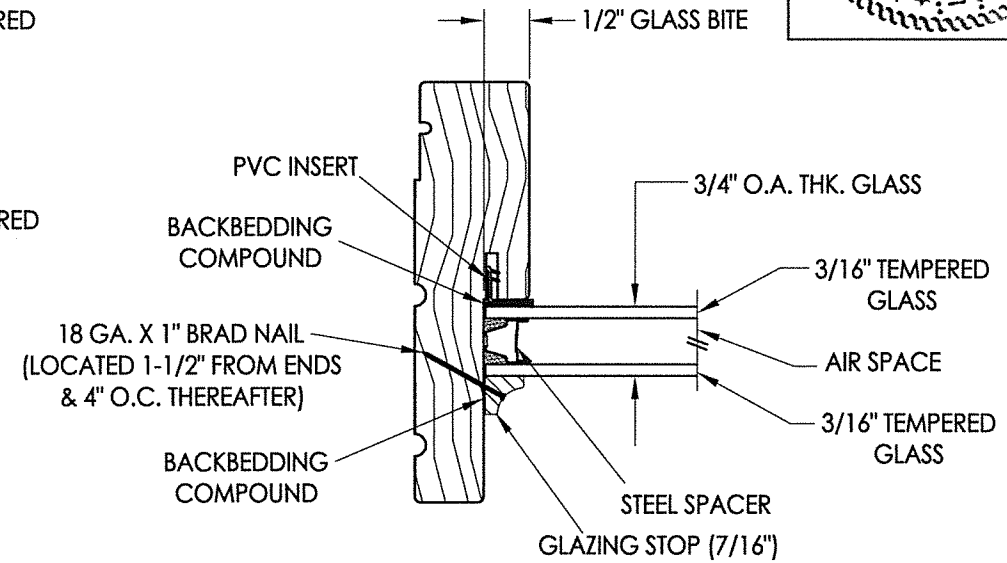
**1**  
**4** HORIZONTAL CROSS SECTION



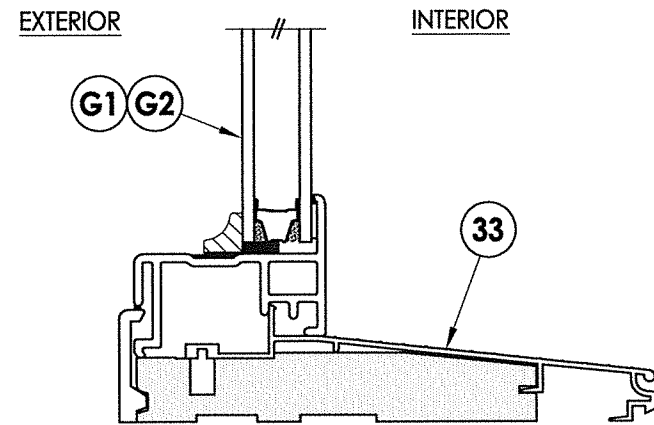
**50** SIDELITE PANEL



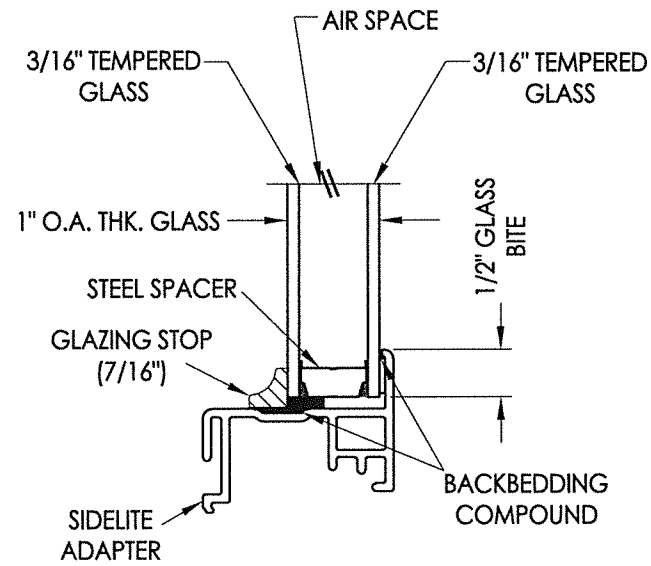
**G1** GLAZING DETAIL  
1" Insulated Glass



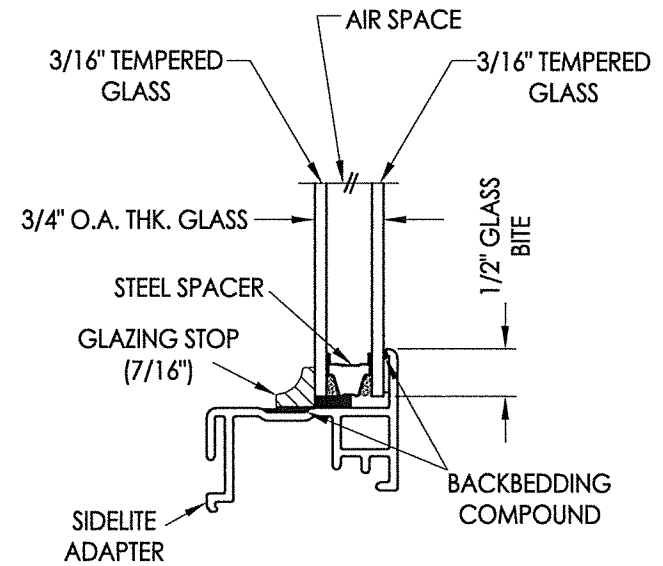
**G2** GLAZING DETAIL  
3/4" Insulated Glass



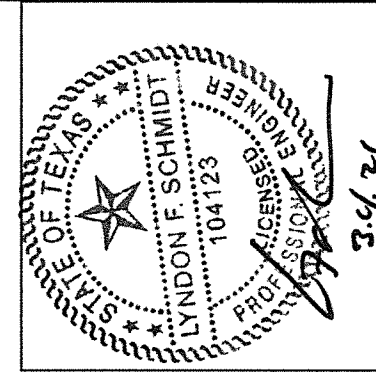
**2**  
**4** VERTICAL CROSS SECTION



**G1** GLAZING DETAIL  
1" Insulated Glass



**G2** GLAZING DETAIL  
3/4" Insulated Glass



Documents Prepared By: Lyndon F. Schmidt, P.E.  
TEXAS P.E. #104123

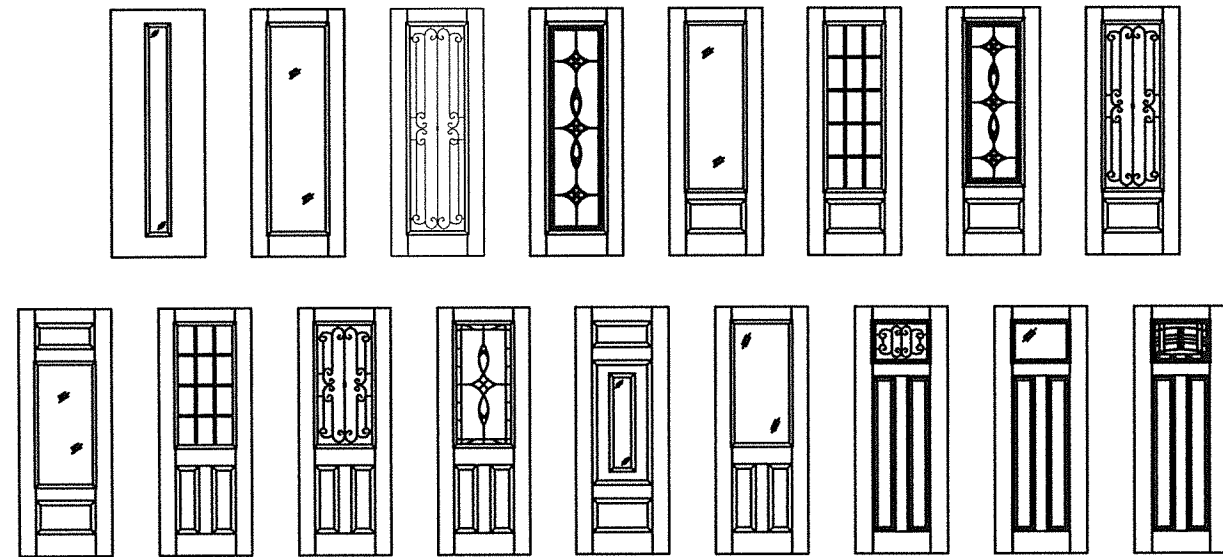
**RW** BUILDING CONSULTANTS, INC.  
P.O. Box 230 Valrico FL 33595  
Phone No.: 813.659.9197

TEXAS BOARD OF PROFESSIONAL ENGINEERS  
CERTIFICATE OF REGISTRATION # F-11852

PRODUCT: THERMA-TRU  
FIBERGLASS DOOR  
PART OR ASSEMBLY: SIDELITE PANEL DETAILS

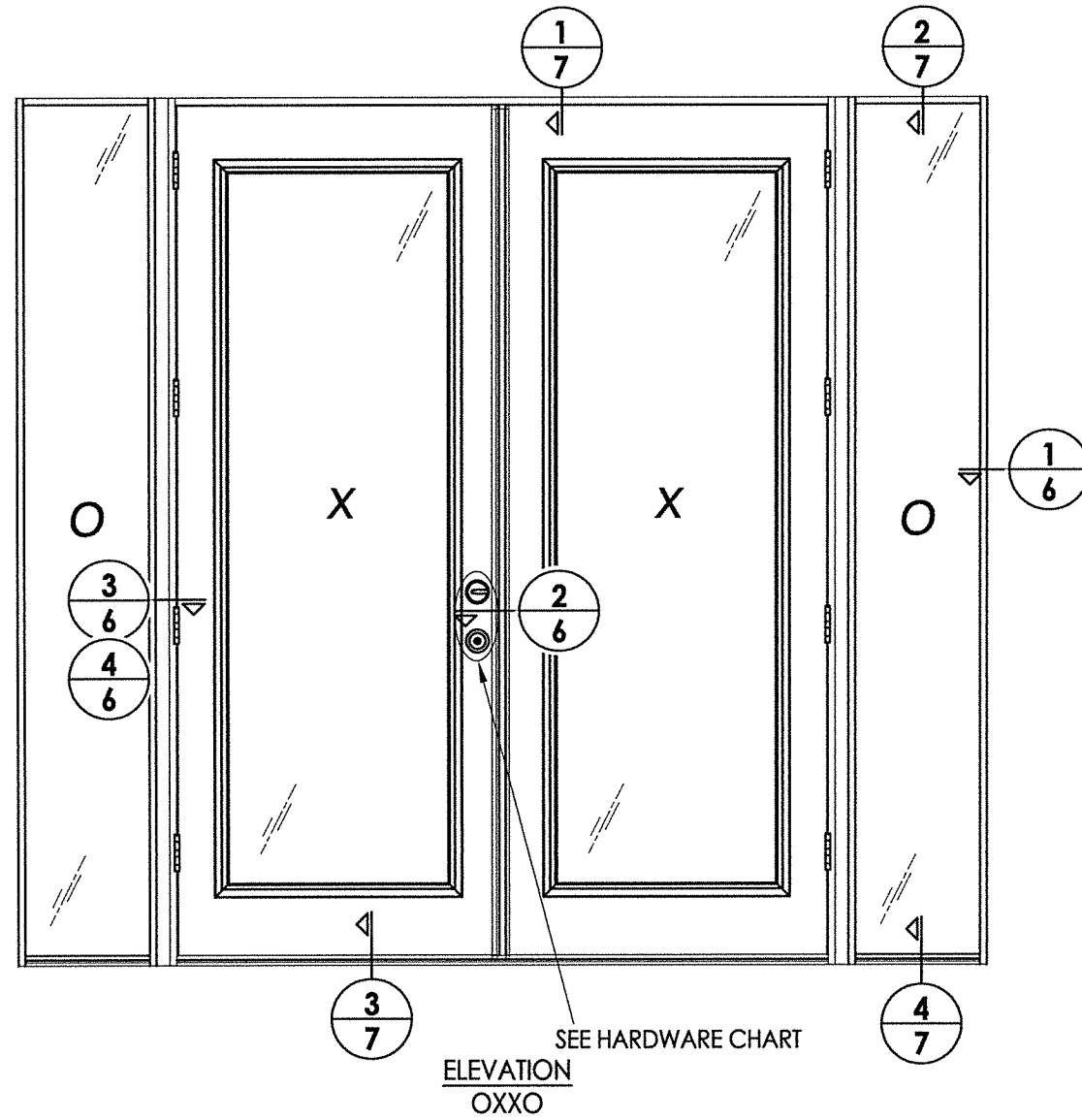
NO.	DATE	BY	REVISIONS

DATE: 1/06/21  
SCALE: N.T.S.  
DWG. BY: RW  
CHK. BY: LFS  
DRAWING NO.: TX-5163  
SHEET 4 OF 11



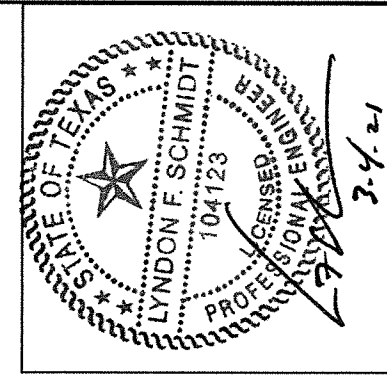
**Fiber-Classic/Smooth-Star Door Panel Options**

Panel options shown are for illustration and are representative only  
(similar glazed panel configurations are allowed)



ELEVATION  
OXXO

HARDWARE TABLE	
MANUFACTURER	MODEL
SCHLAGE	KNOB: F51 DEADBOLT: B60
KWIKSET	KNOB: SIGNATURE SERIES DEADBOLT: SIGNATURE SERIES (980)



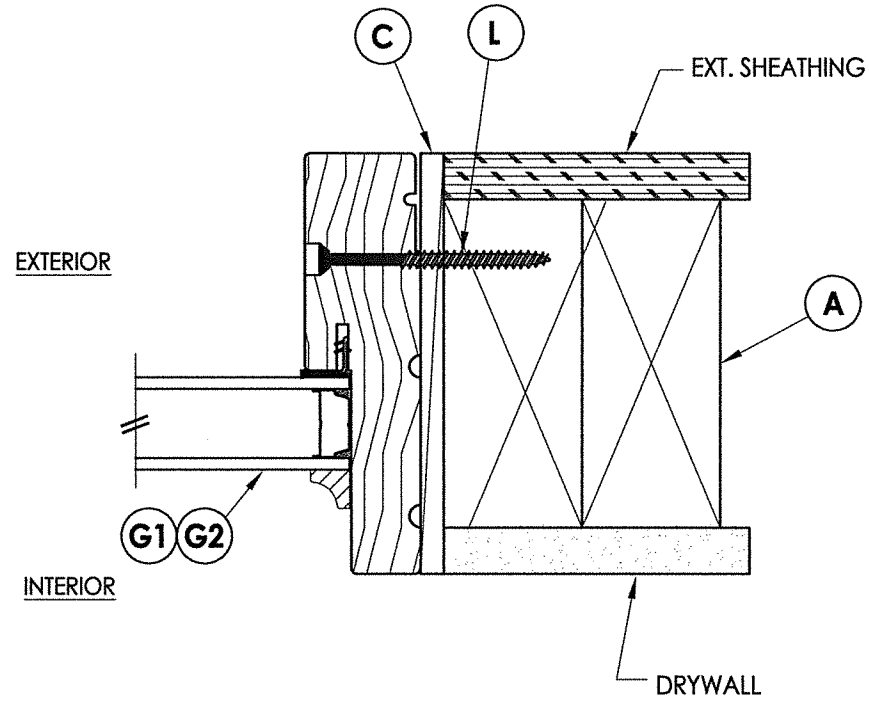
Documents Prepared By: Lyndon F. Schmidt, P.E.  
TEXAS P.E. #104123  
3-4-21

**RW** BUILDING CONSULTANTS, INC.  
P.O. Box 230 Valrico FL 33595  
Phone No.: 813.659.9197  
TEXAS BOARD OF PROFESSIONAL ENGINEERS  
CERTIFICATE OF REGISTRATION # F-11852

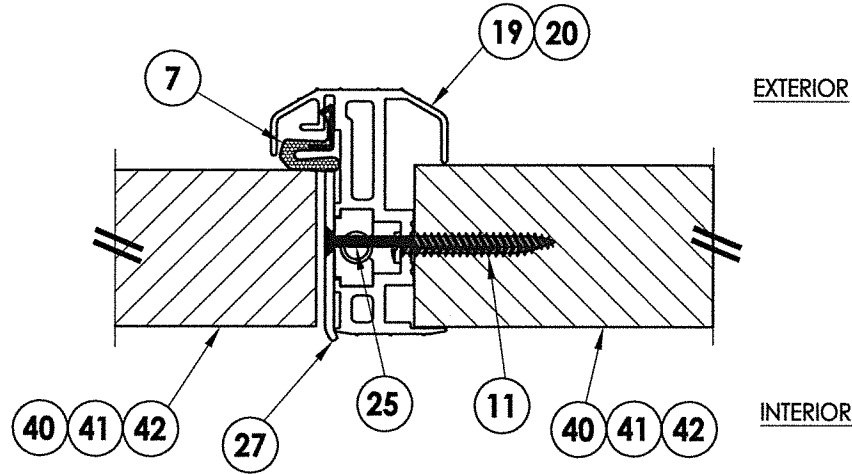
PRODUCT: THERMA-TRU  
FIBERGLASS DOOR  
PART OR ASSEMBLY: ELEVATIONS

NO.	DATE	REVISIONS	BY

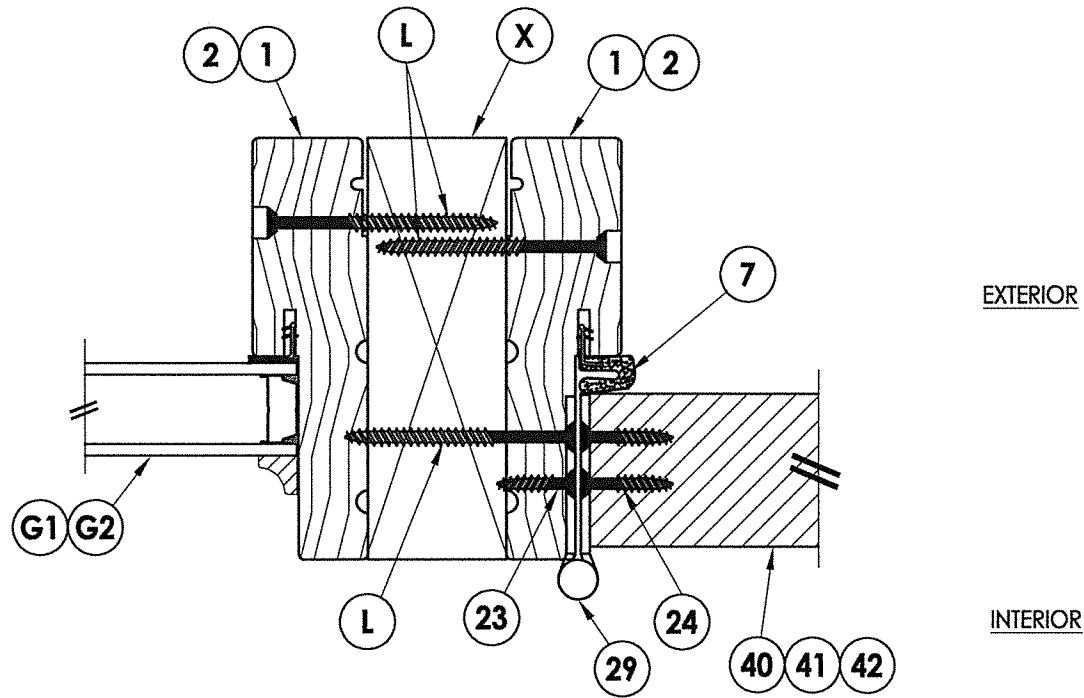
DATE: 1/06/21  
SCALE: N.T.S.  
DWG. BY: RW  
CHK. BY: LFS  
DRAWING NO.: TX-5163  
SHEET 5 OF 11



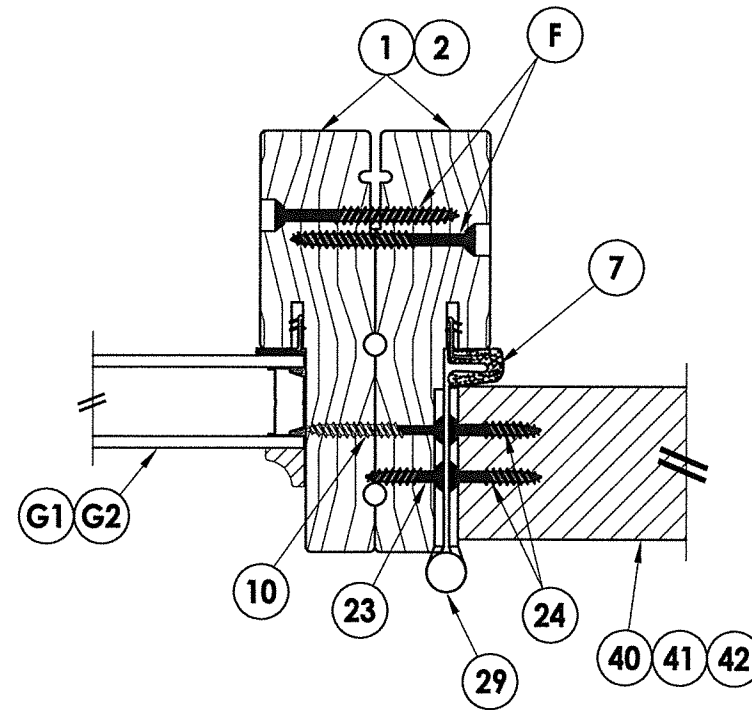
**1**  
**6** HORIZONTAL CROSS SECTION



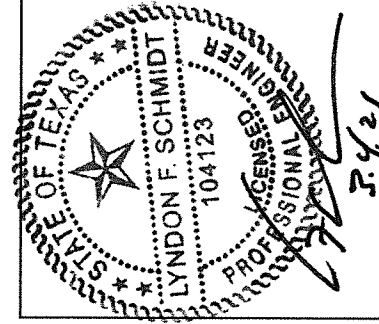
**2**  
**6** HORIZONTAL CROSS SECTION



**3**  
**6** HORIZONTAL CROSS SECTION  
Shown w/ 2X Reinforcement



**4**  
**6** HORIZONTAL CROSS SECTION  
Shown w/ Back-to-Back Jambs



Documents Prepared By: Lyndon F. Schmidt, P.E.  
TEXAS P.E. #104123

**RW** BUILDING CONSULTANTS, INC.  
P.O. Box 230 Valrico FL 33595  
Phone No.: 813.659.9197  
TEXAS BOARD OF PROFESSIONAL ENGINEERS  
CERTIFICATE OF REGISTRATION # F-11852

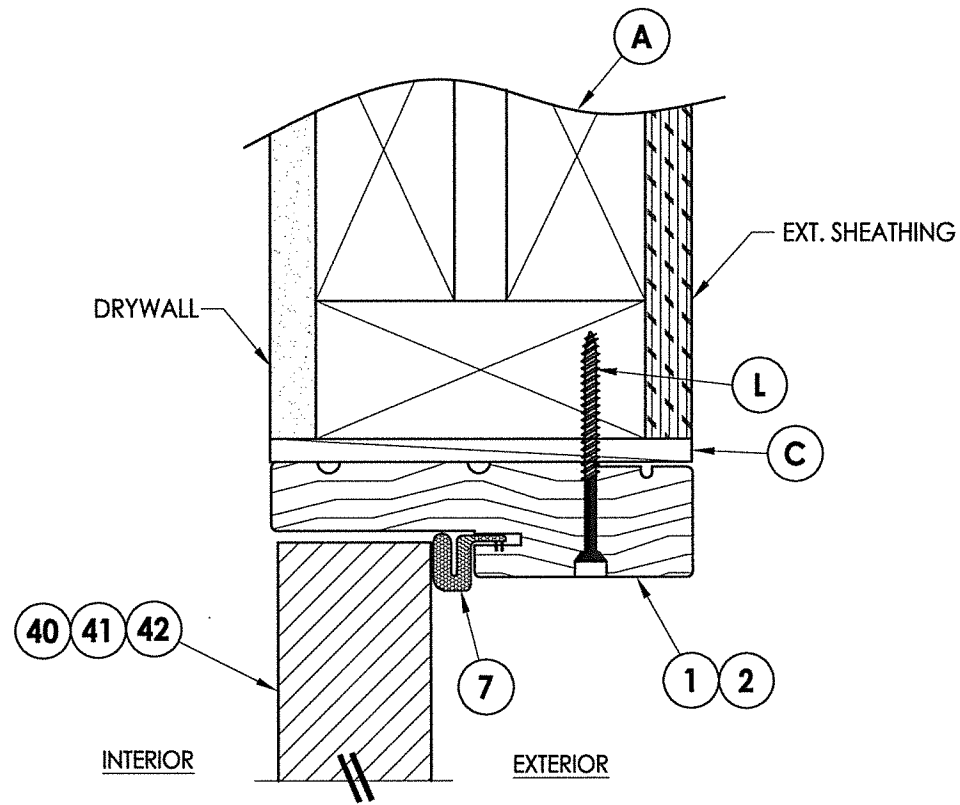
PRODUCT: THERMA-TRU  
FIBERGLASS DOOR  
PART OR ASSEMBLY:  
HORIZONTAL  
CROSS SECTIONS

NO.	DATE	BY	REVISIONS

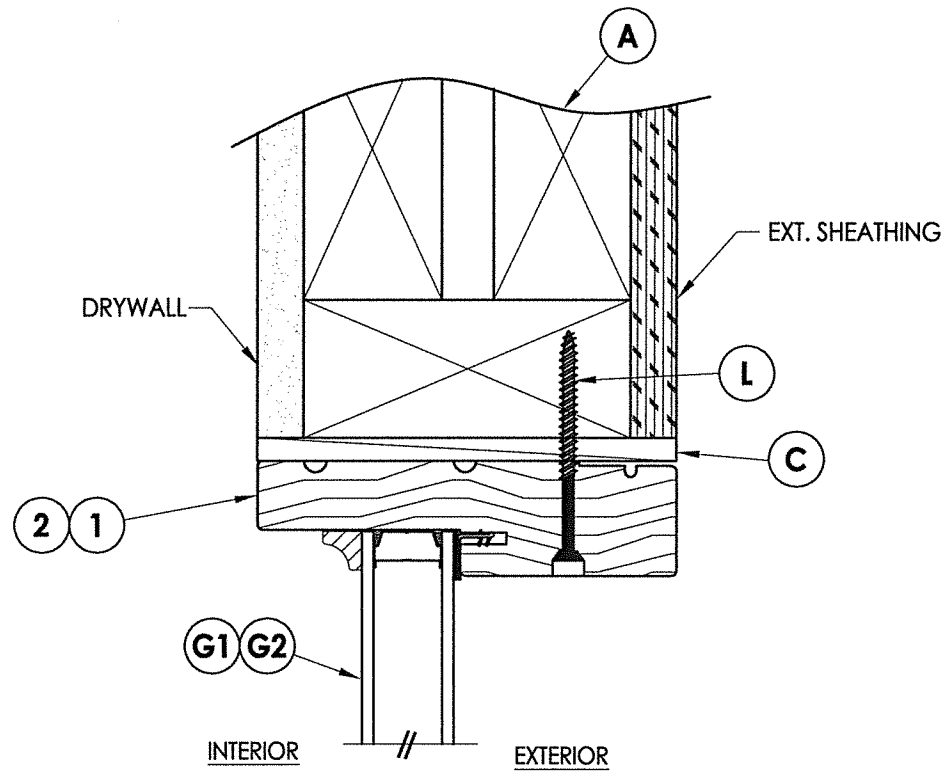
DATE: 1/06/21  
SCALE: N.T.S.  
DWG. BY: RW  
CHK. BY: LFS  
DRAWING NO.: TX-5163  
SHEET 6 OF 11

Note:

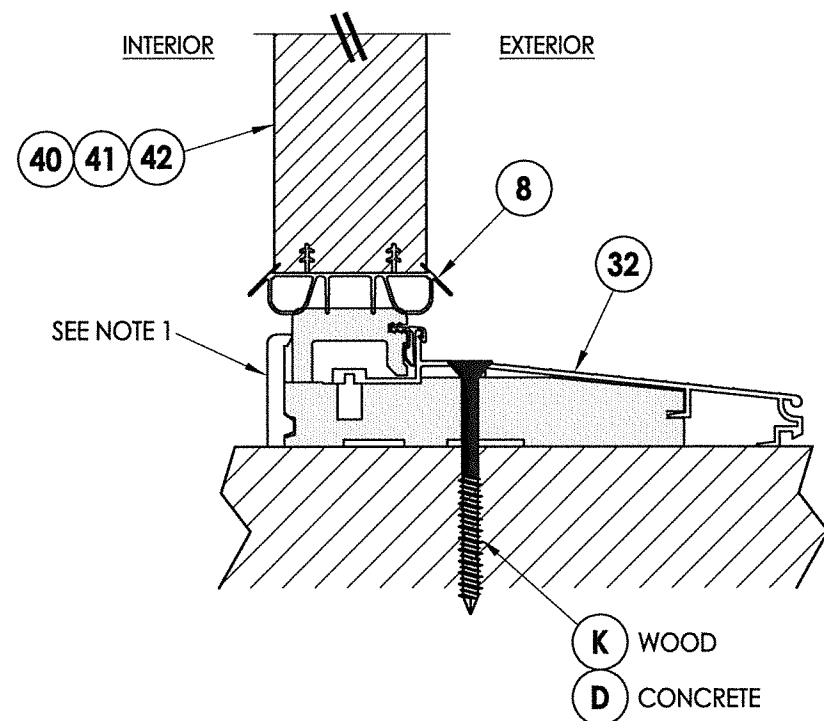
1. Sill Item #'s 32 & 33 are attached to jambs w/ (3) #8 X 2-1/2" pfh screws at each end.



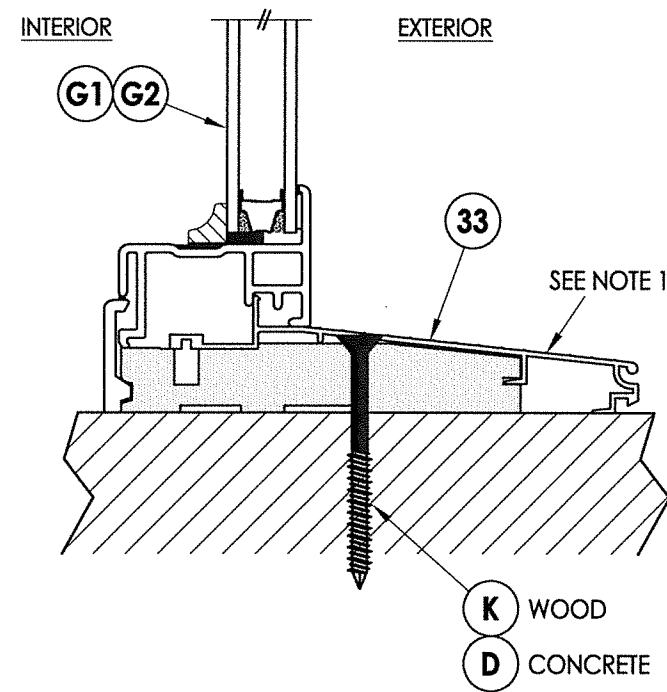
**1**  
**7** VERTICAL CROSS SECTION



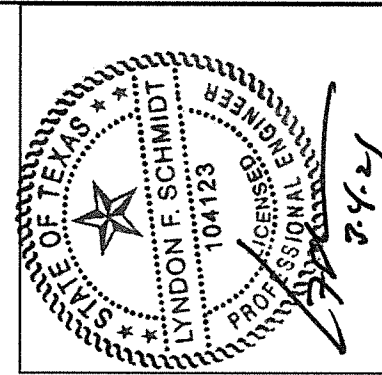
**2**  
**7** VERTICAL CROSS SECTION



**3**  
**7** VERTICAL CROSS SECTION  
Inswing Sill



**4**  
**7** VERTICAL CROSS SECTION  
Inswing Sill



Documents Prepared By: Lyndon F. Schmidt, P.E.  
TEXAS P.E. #104123

**RW** BUILDING CONSULTANTS, INC.  
P.O. Box 230 Valrico FL 33595  
Phone No.: 813.659.9197

TEXAS BOARD OF PROFESSIONAL ENGINEERS  
CERTIFICATE OF REGISTRATION # F-11852

PRODUCT:	THERMA-TRU FIBERGLASS DOOR
PART OR ASSEMBLY:	VERTICAL CROSS SECTIONS

NO.	DATE	BY	REVISIONS

DATE: 1/06/21

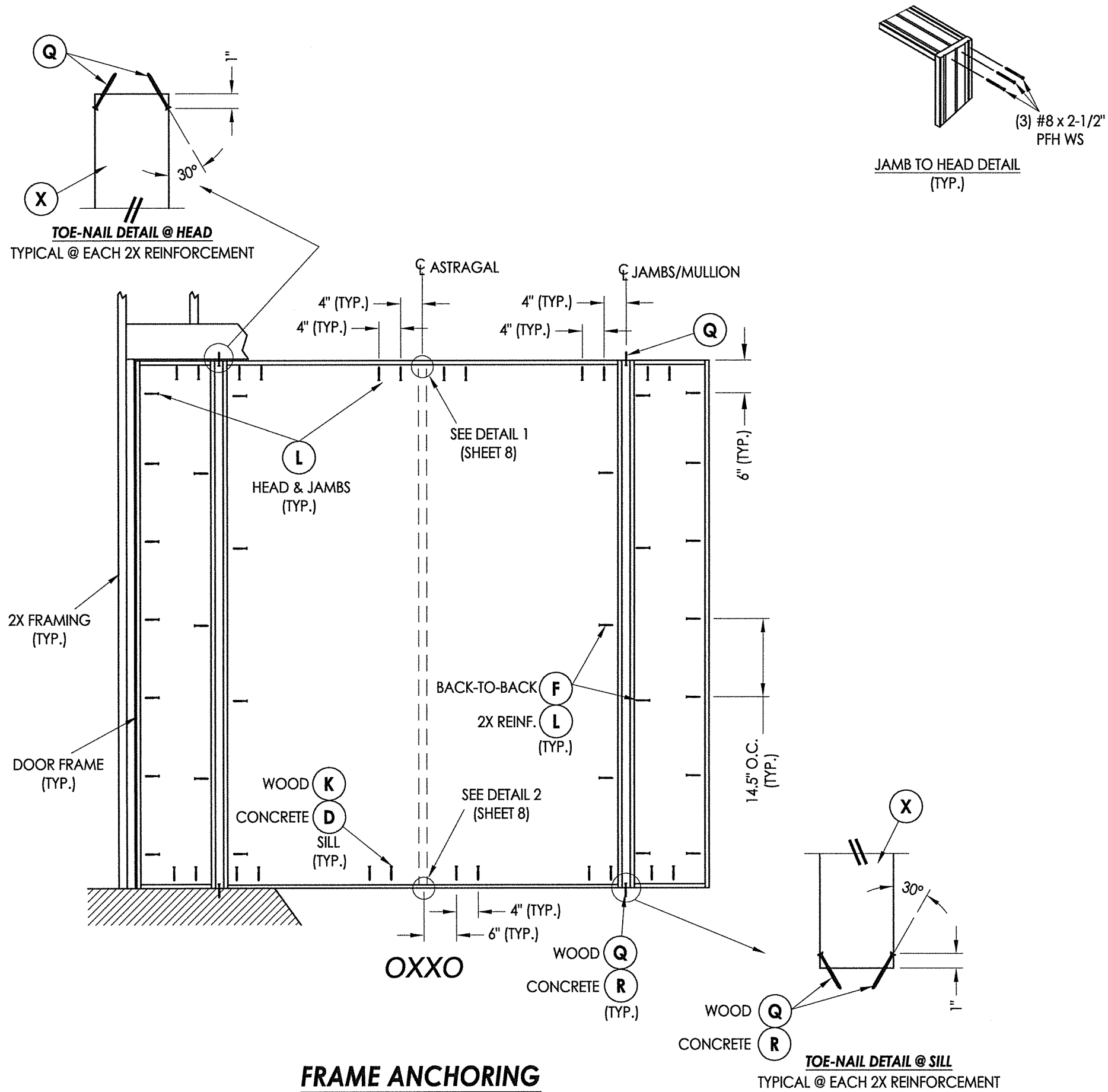
SCALE: N.T.S.

DWG. BY: RW

CHK. BY: LFS

DRAWING NO.:  
TX-5163

SHEET 7 OF 11



**Professional Engineer**  
 LYNDON F. SCHMIDT  
 104123  
 STATE OF TEXAS

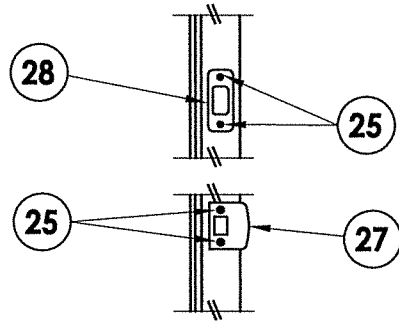
R.W.  
 BUILDING CONSULTANTS, INC.  
 P.O. Box 230 Valrico FL, 33595  
 Phone No.: 813.659.9197

Documents Prepared By: Lyndon F. Schmidt, P.E.  
 TEXAS P.E. #104123

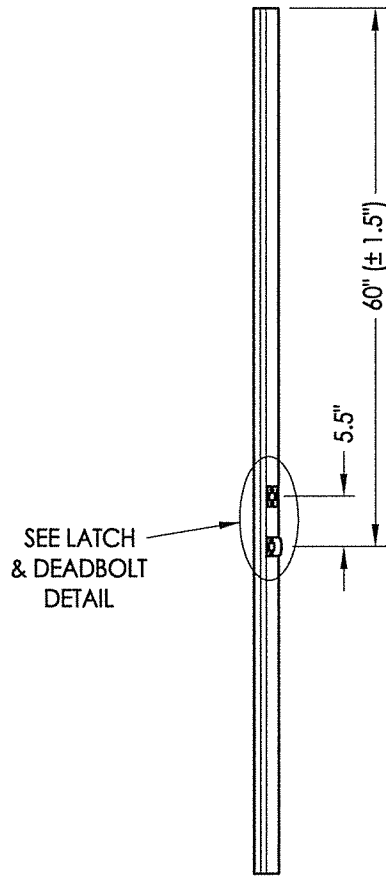
TEXAS BOARD OF PROFESSIONAL ENGINEERS  
 CERTIFICATE OF REGISTRATION # F-11852

PRODUCT: THERMA-TRU FIBERGLASS DOOR	
PART OR ASSEMBLY: FRAME ANCHORING	
	NO. DATE BY
REVISIONS	
DATE: 1/06/21	
SCALE: N.T.S.	
DWG. BY: RW	
CHK. BY: LFS	
DRAWING NO.: TX-5163	
SHEET 8 OF 11	

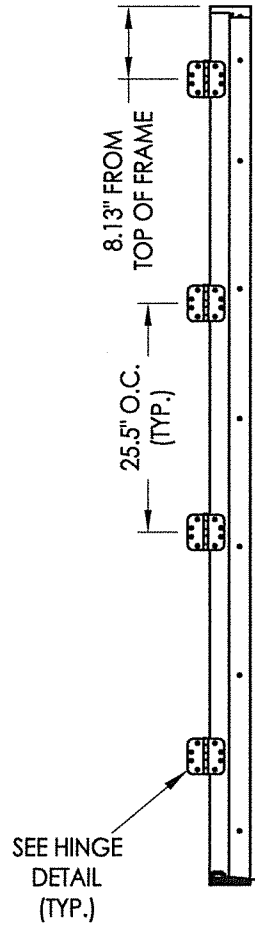




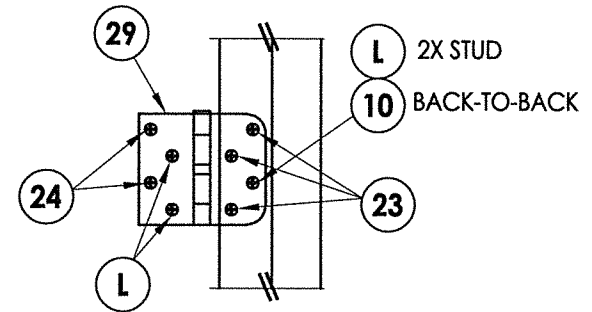
**LATCH & DEADBOLT DETAIL**  
Schlage / Kwikset



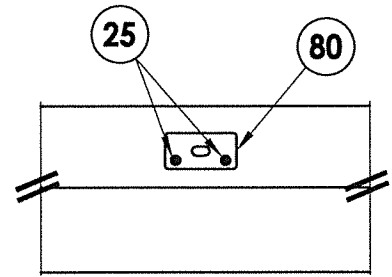
**ASTRAGAL**  
Latch & Deadbolt



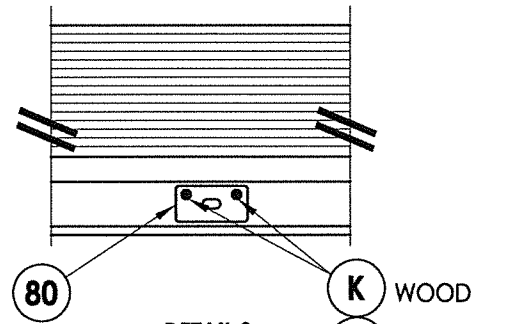
**HINGE JAMB**



**HINGE DETAIL**

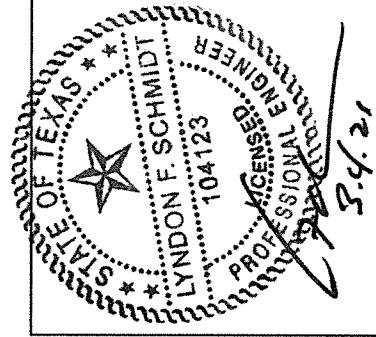


**DETAIL 1**  
Coastal Astragal Strike Plate @ Head



**DETAIL 2**  
Coastal Astragal Strike Plate @ Sill

**LATCH & DEADBOLT STRIKE DETAILS**



Documents Prepared By: Lyndon F. Schmidt, P.E.  
TEXAS P.E. #104123

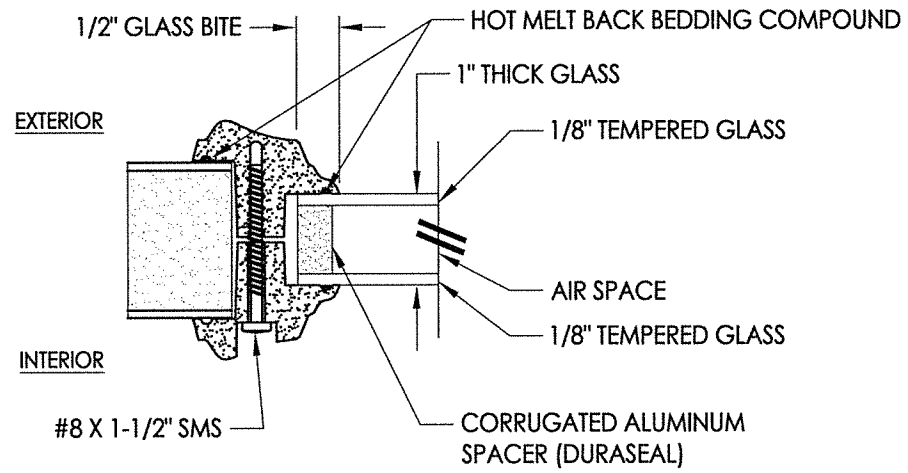
**RW** BUILDING CONSULTANTS, INC.  
P.O. Box 230 Valrico FL 33595  
Phone No.: 813.659.9197

TEXAS BOARD OF PROFESSIONAL ENGINEERS  
CERTIFICATE OF REGISTRATION # F-11852

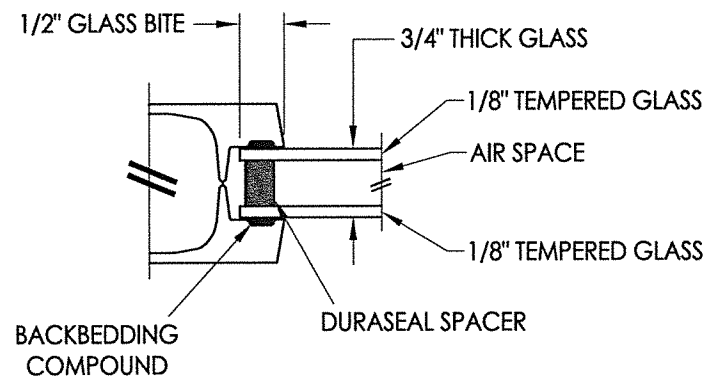
PRODUCT:	THERMA-TRU FIBERGLASS DOOR
PART OR ASSEMBLY:	HARDWARE DETAILS

NO.	DATE	BY	REVISIONS

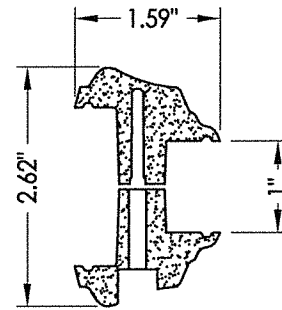
DATE:	1/06/21
SCALE:	N.T.S.
DWG. BY:	RW
CHK. BY:	LFS
DRAWING NO.:	TX-5163
SHEET	9 OF 11



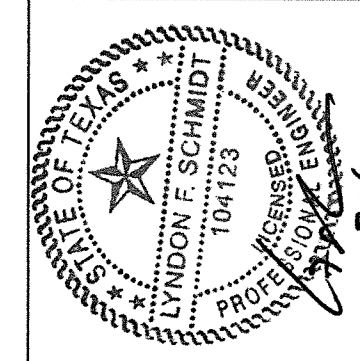
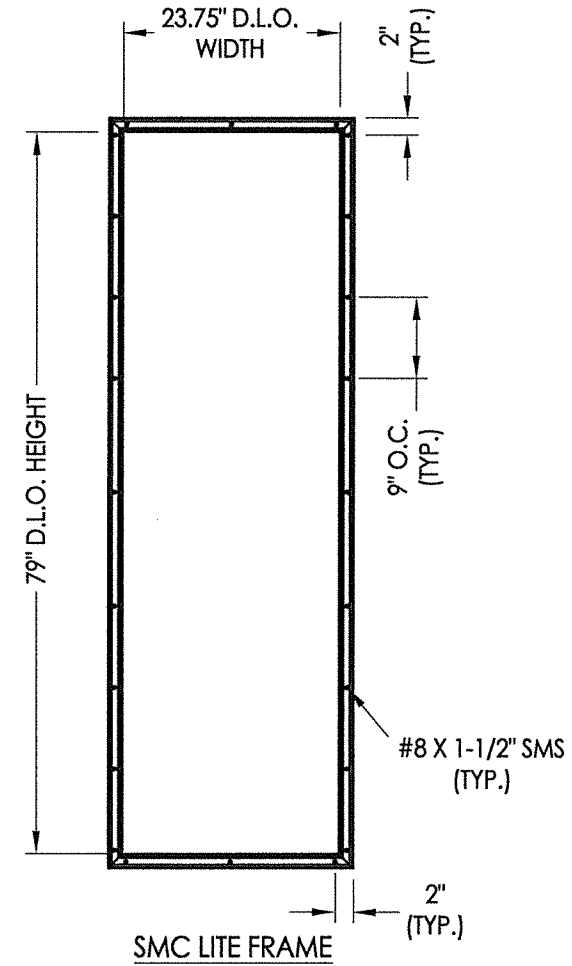
**G1 GLAZING DETAIL**  
SMC LIP LITE FRAME



**G2 GLAZING DETAIL**  
Flush Glazing



SMC FULL LITE FRAME



Documents Prepared By: Lyndon F. Schmidt, P.E.  
TEXAS P.E. #104123

**RW** BUILDING CONSULTANTS, INC.  
P.O. Box 230 Valrico FL 33595  
Phone No.: 813.659.9197

TEXAS BOARD OF PROFESSIONAL ENGINEERS  
CERTIFICATE OF REGISTRATION # F-11852

PRODUCT: THERMA-TRU FIBERGLASS DOOR

PART OR ASSEMBLY: GLAZING DETAILS

NO.	DATE	BY	REVISIONS

DATE: 1/06/21  
SCALE: N.T.S.  
DWG. BY: RW  
CHK. BY: LFS  
DRAWING NO.: TX-5163  
SHEET 10 OF 11

