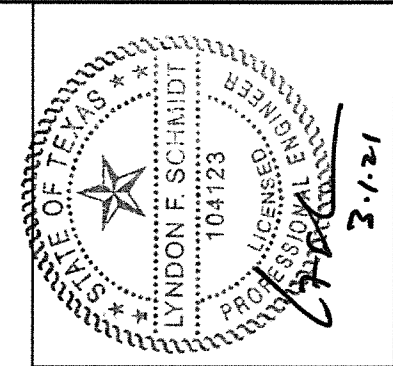


THERMA-TRU® DOORS

Fiber-Classic® & Smooth-Star®



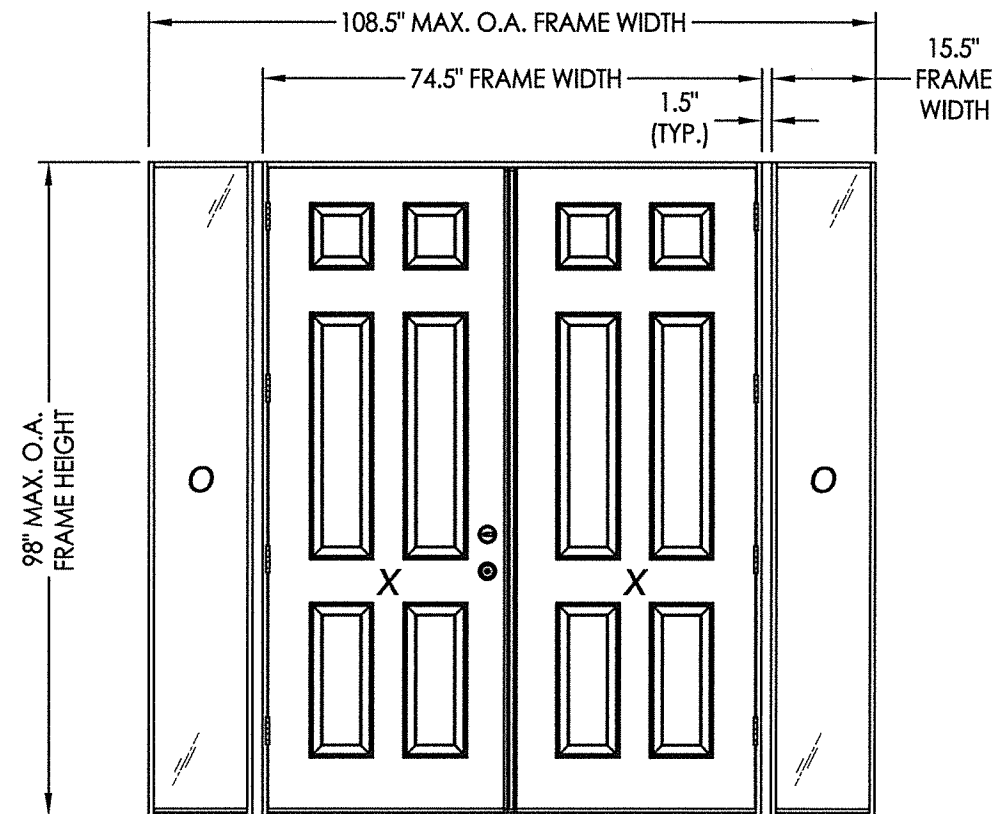
Documents Prepared By: Lyndon F. Schmidt, P.E.
TEXAS P.E. #104123

RW BUILDING CONSULTANTS, INC.
P.O. Box 230 Valrico FL 33595
Phone No.: 813.659.9197

TEXAS BOARD OF PROFESSIONAL ENGINEERS
CERTIFICATE OF REGISTRATION # F-11852

WOOD OR COMPOSITE EDGE OPAQUE FIBERGLASS DOUBLE DOOR w/ DIRECT SET SIDELITES

**IN SWING
"NON-IMPACT"**



EVALUATED FOR USE IN THE STATE OF TEXAS

The Fiberglass Door system described herein complies with the 2018 International Residential Code (IRC), Sections R301 & R609 and the 2018 International Building Code (IBC), Sections 1404.13, 1609, 1709.5, 2403 and 2404 subject to the following conditions:

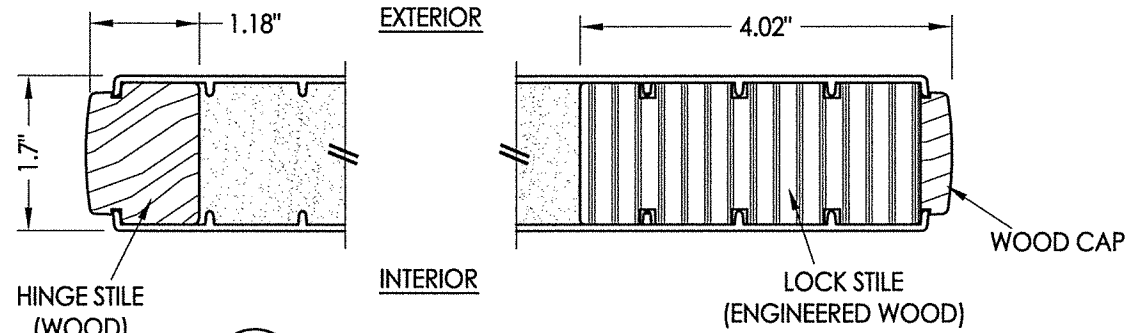
1. Anchors shall be as listed and spaced as shown in the details. Anchor embedment to base material shall be beyond wall dressing or stucco.
2. When used in areas requiring wind-borne debris protection this product is required to be protected with an impact resistant covering that complies with Section R301.2.1.2 of the IRC and Section 1609.1.2 of the IBC.
3. Allowable design pressure requirements must be equal to or less than the design pressure rating shown in the design pressure chart, sheet 1 of this drawing.
4. Conditions not covered by this drawing are subject to further engineering analysis.
5. Fiber-Classic and Smooth-Star Door and Sidelite panels require the use of "J" part numbers. These door and sidelite panels must be stained or painted within six months of installation.

TABLE OF CONTENTS

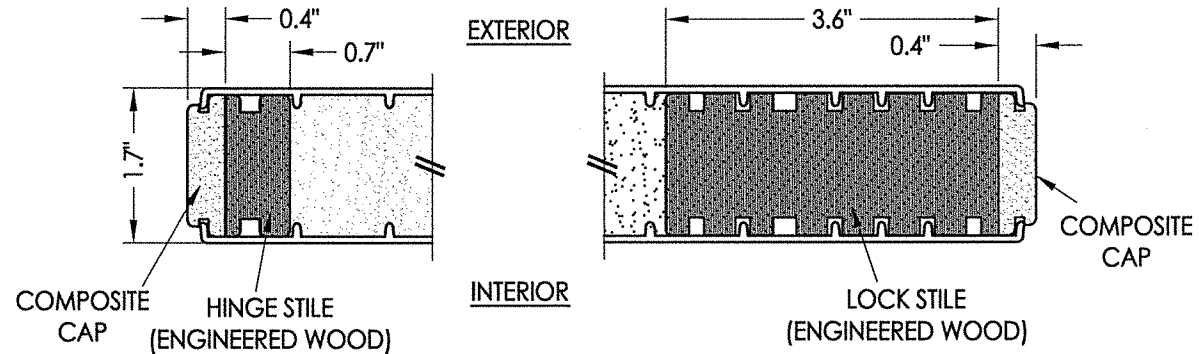
SHEET #	DESCRIPTION	SHEET #	
1	Typical Elevations, Design Pressures & General Notes	6	Vertical Cross Sections
2	Door Panel Details	7	Frame Anchoring
3	Sidelite Panel Details	8	Hardware Details
4	Elevations	9	Bill of Materials & Components
5	Horizontal Cross Sections		

CONFIGURATION	2X REINFORCEMENT REQUIRED	ASTRAGAL	DESIGN PRESSURE (PSF) w/ FJ PINE JAMBS		DESIGN PRESSURE (PSF) w/ COMPOSITE JAMBS	
			POSITIVE	NEGATIVE	POSITIVE	NEGATIVE
OXXO	NO	STANDARD	+30.0	-50.0	+35.0	-40.0
	YES	COASTAL	+45.0	-50.0	+40.0	-45.0

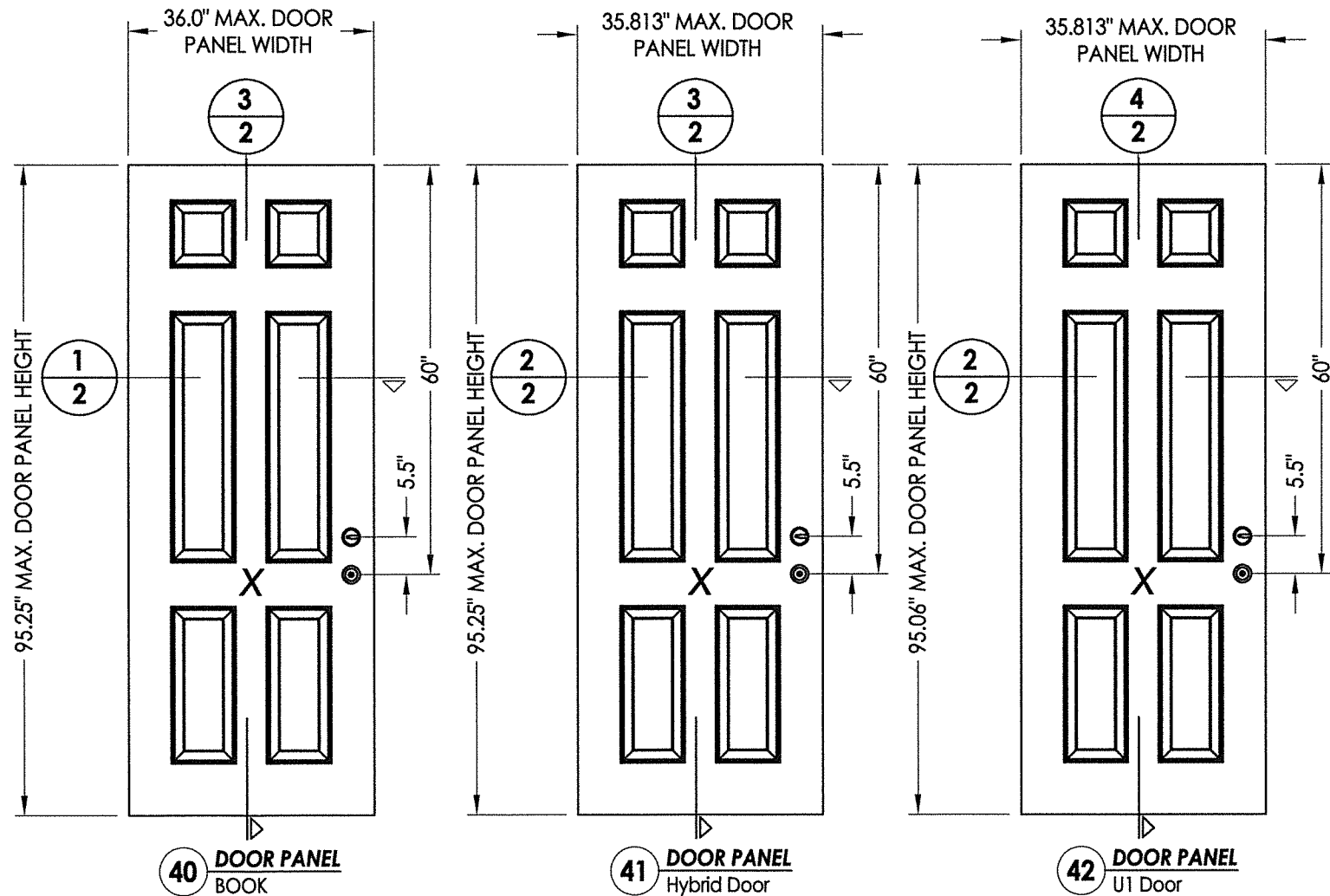
PRODUCT: THERMA-TRU FIBERGLASS DOOR	
PART OR ASSEMBLY: TYPICAL ELEVATION, DESIGN PRESSURES & GENERAL NOTES	
NO.	DATE
	BY
REVISIONS	
DATE: 1/06/21	
SCALE: N.T.S.	
DWG. BY: RW	
CHK. BY: LFS	
DRAWING NO.: TX-5139	
SHEET 1 OF 9	



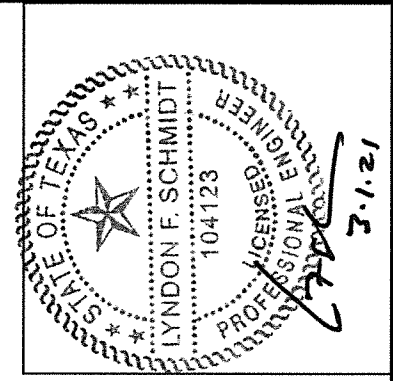
1 HORIZONTAL CROSS SECTION
2 WOOD EDGE



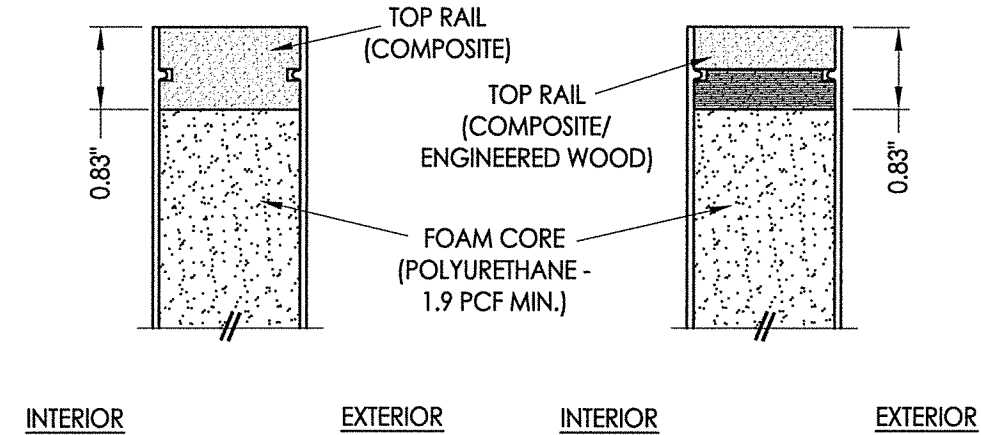
2 HORIZONTAL CROSS SECTION
2 COMPOSITE EDGE



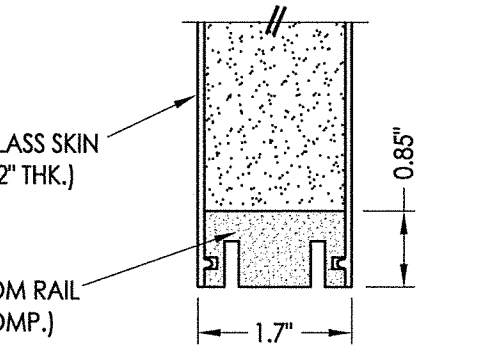
NOTE: BOOK, HYBRID & U1 DOORS MAY EACH BE FABRICATED AS WOOD OR COMPOSITE EDGE DOORS.



Documents Prepared By: Lyndon F. Schmidt, P.E.
TEXAS P.E. #104123
RW BUILDING CONSULTANTS, INC.
P.O. Box 230 Valrico FL, 33595
Phone No.: 813.659.9197
TEXAS BOARD OF PROFESSIONAL ENGINEERS
CERTIFICATE OF REGISTRATION # F-11852

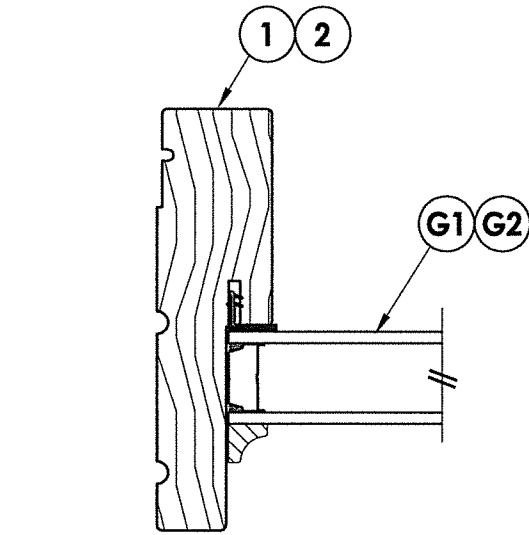


3 VERTICAL CROSS SECTION
2 WOOD EDGE

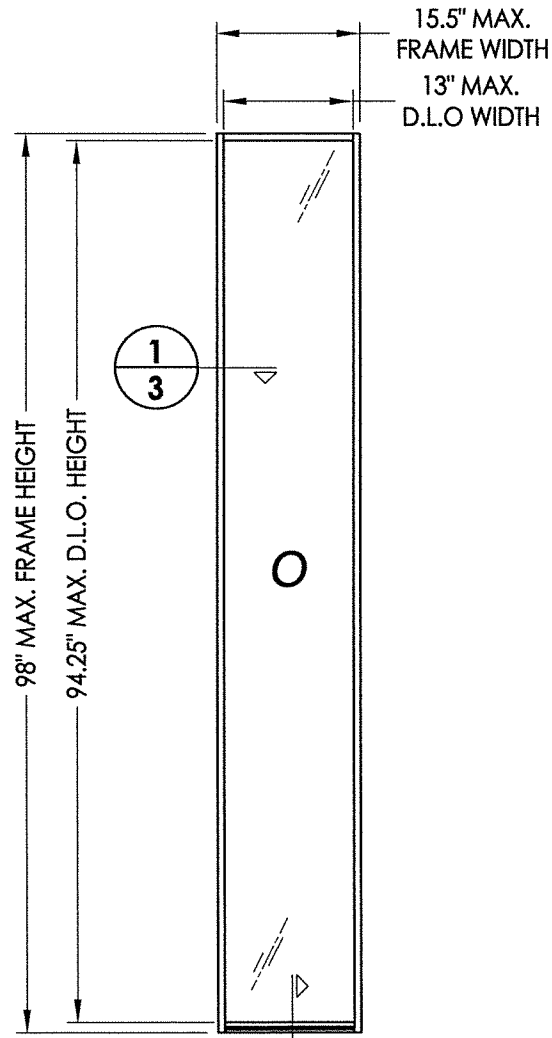


4 VERTICAL CROSS SECTION
2 COMPOSITE EDGE

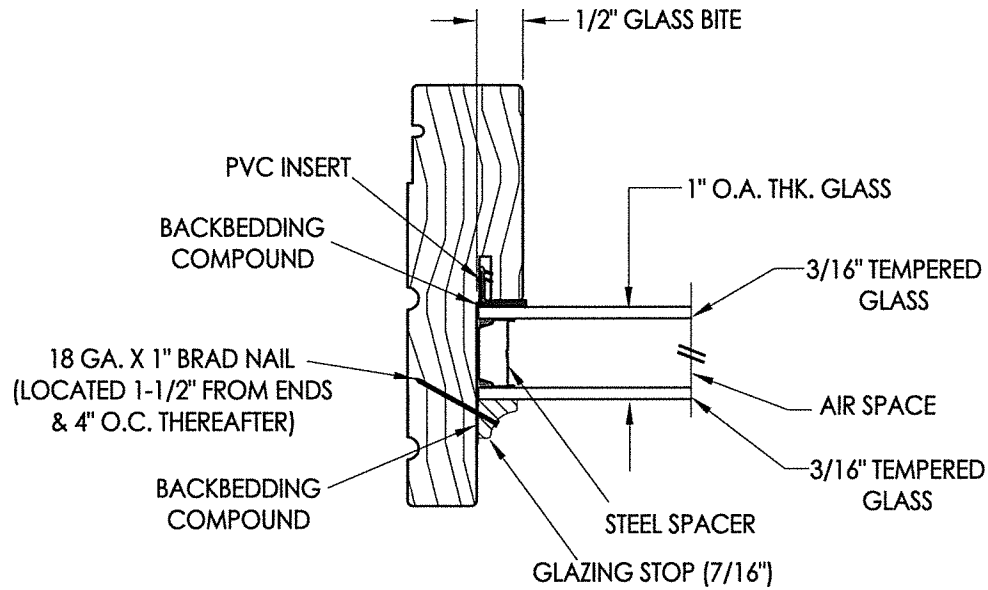
PRODUCT: THERMA-TRU FIBERGLASS DOOR	
PART OR ASSEMBLY: DOOR PANEL DETAILS	
NO.	DATE
BY	
REVISIONS	
DATE: 1/06/21	
SCALE: N.T.S.	
DWG. BY: RW	
CHK. BY: LFS	
DRAWING NO.: TX-5139	
SHEET 2 OF 9	



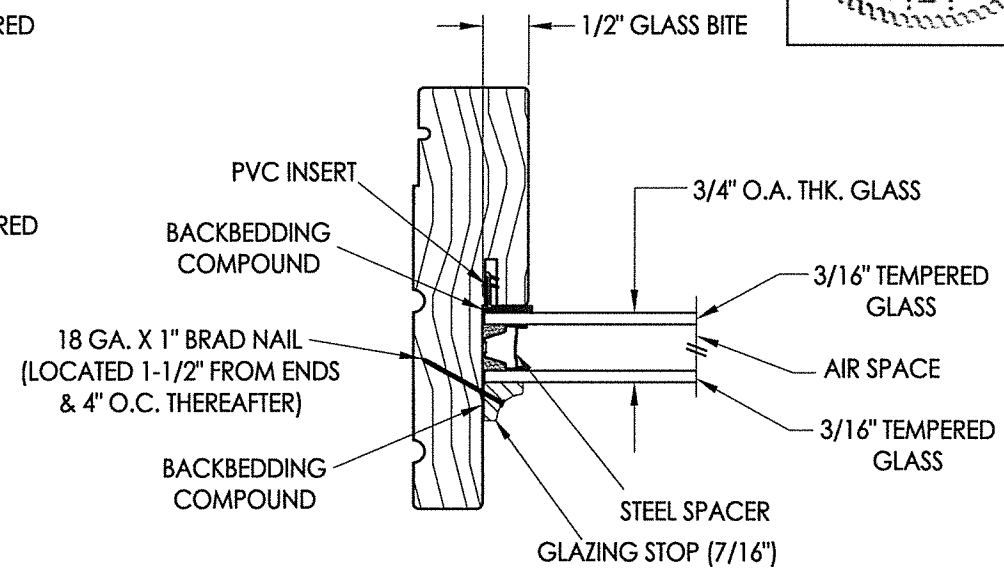
1 **3** **HORIZONTAL CROSS SECTION**



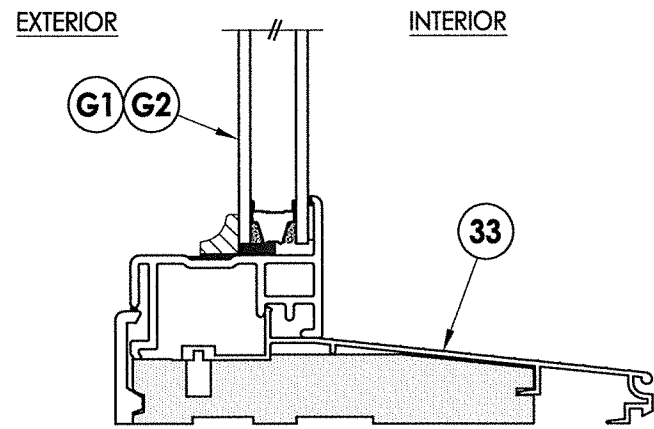
50 **SIDELITE PANEL**



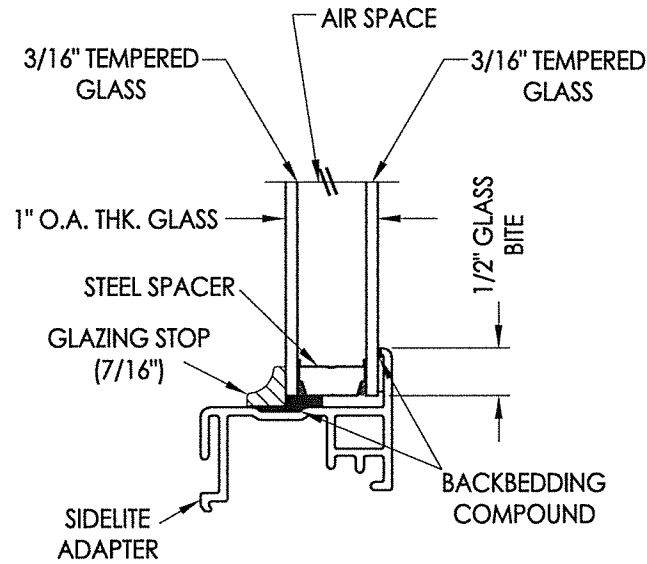
G1 **GLAZING DETAIL**
1" Insulated Glass



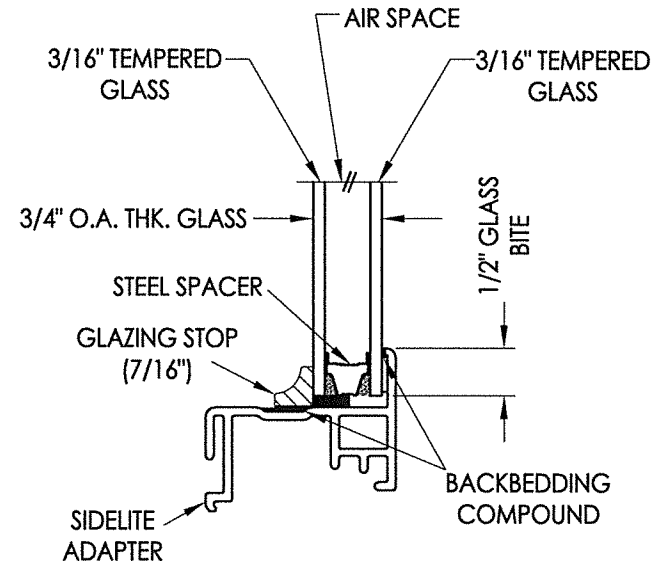
G2 **GLAZING DETAIL**
3/4" Insulated Glass



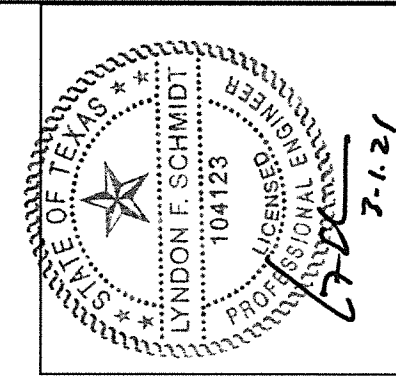
2 **3** **VERTICAL CROSS SECTION**



G1 **GLAZING DETAIL**
1" Insulated Glass



G2 **GLAZING DETAIL**
3/4" Insulated Glass



Documents Prepared By: Lyndon F. Schmidt, P.E.
TEXAS P.E. #104123

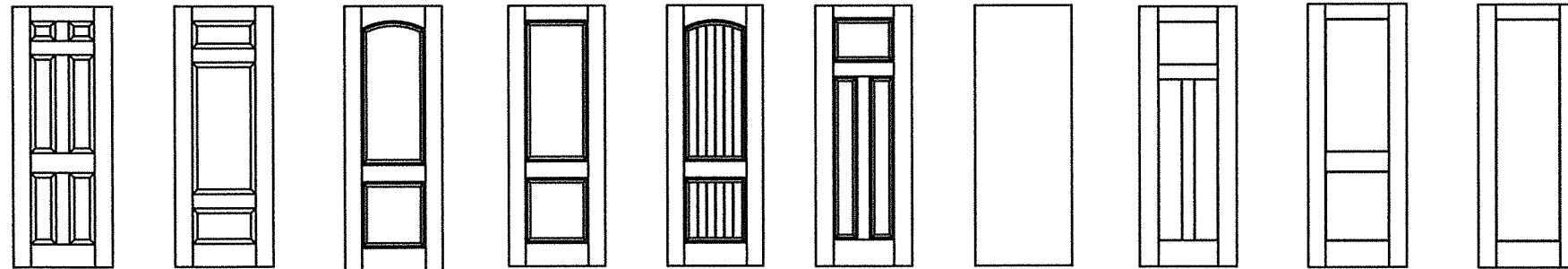
RW BUILDING CONSULTANTS, INC.
P.O. Box 230 Valrico FL 33595
Phone No.: 813.659.9197

TEXAS BOARD OF PROFESSIONAL ENGINEERS
CERTIFICATE OF REGISTRATION # F-11852

PRODUCT:	THERMA-TRU FIBERGLASS DOOR
PART OR ASSEMBLY:	SIDELITE PANEL DETAILS

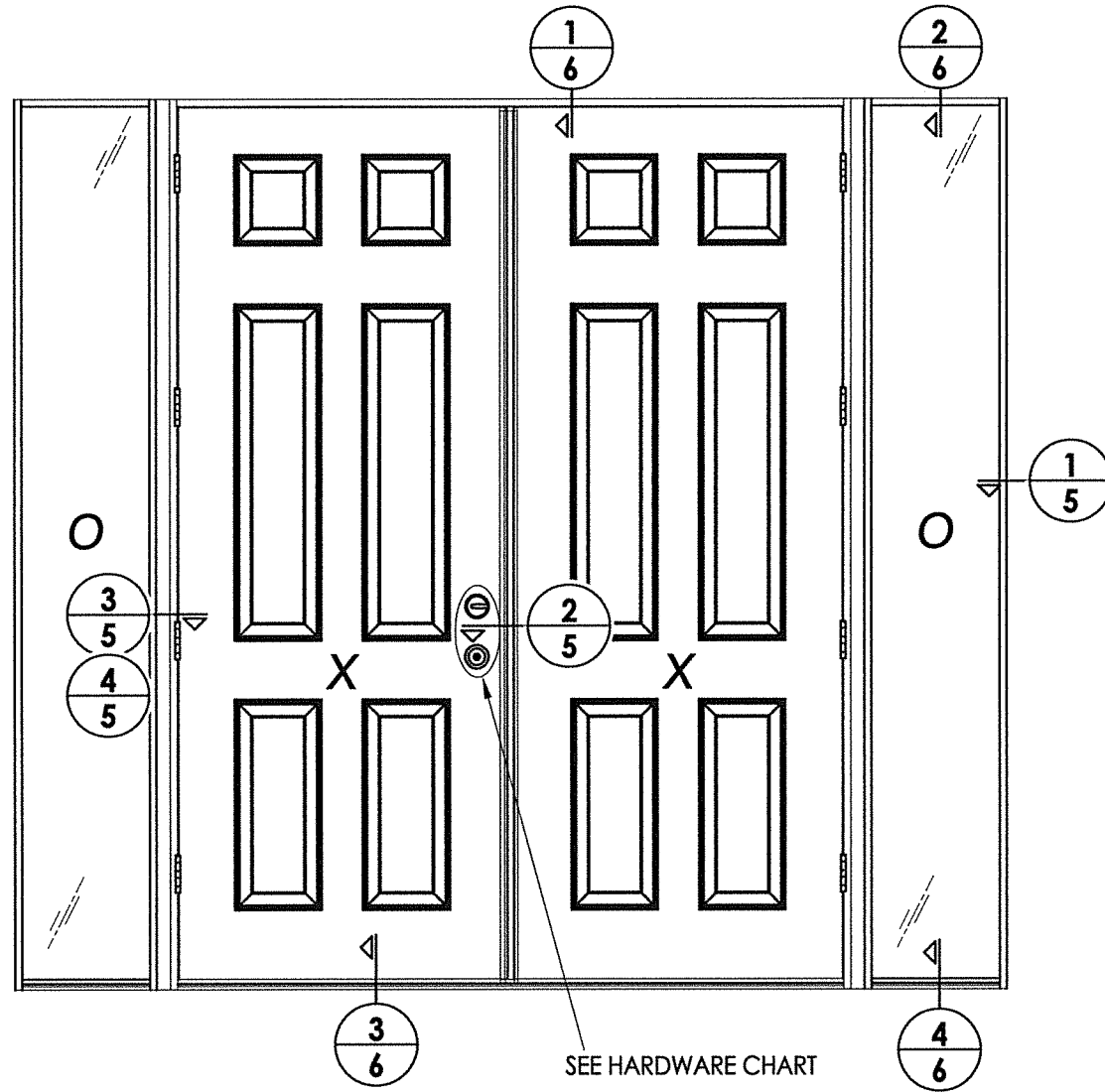
NO.	DATE	BY	REVISIONS

DATE:	1/06/21
SCALE:	N.T.S.
DWG. BY:	RW
CHK. BY:	LFS
DRAWING NO.:	TX-5139
SHEET	3 OF 9



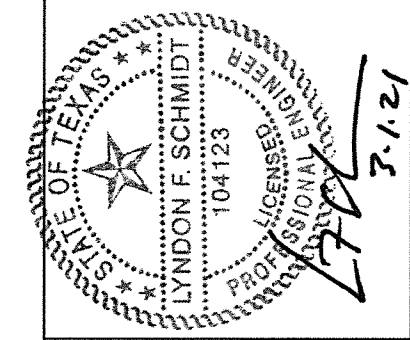
Fiber-Classic/Smooth-Star Door Panel Options

Products approved include all embossed and recessed panel doors.
 Similar opaque panel configurations are allowed.
 Panels shown are for illustration and are representative only.



ELEVATION
OXXO

HARDWARE TABLE	
MANUFACTURER	MODEL
SCHLAGE	KNOB: F51 DEADBOLT: B60
KWIKSET	KNOB: SIGNATURE SERIES DEADBOLT: SIGNATURE SERIES (980)



Documents Prepared By: Lyndon F. Schmidt, P.E.
 TEXAS P.E. #104123

R.W. BUILDING CONSULTANTS, INC.
 P.O. Box 230 Valrico FL 33595
 Phone No.: 813.659.9197

TEXAS BOARD OF PROFESSIONAL ENGINEERS
 CERTIFICATE OF REGISTRATION # F-11852

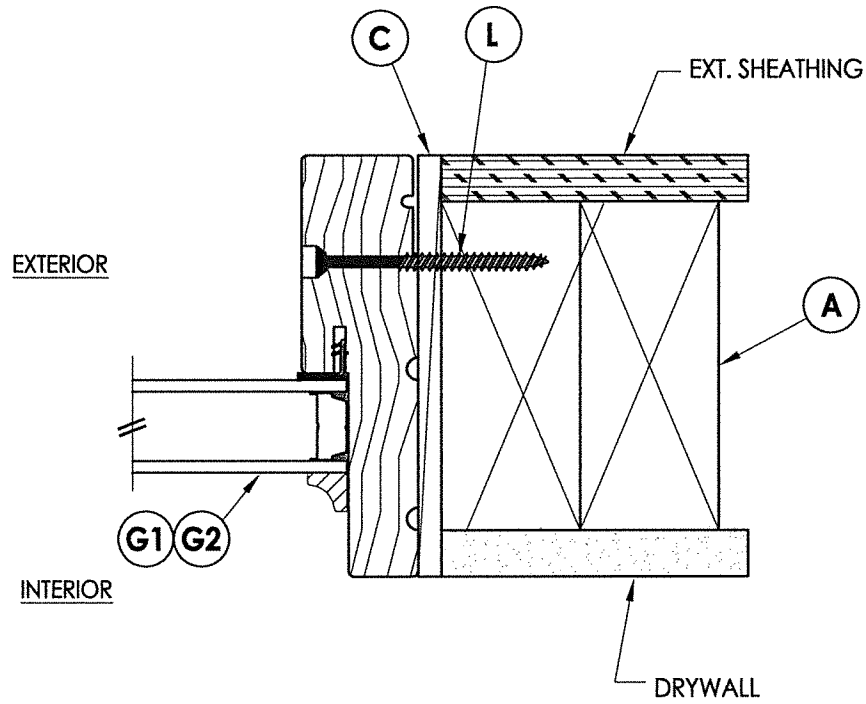
PRODUCT: THERMA-TRU
 FIBERGLASS DOOR

PART OR ASSEMBLY:
 ELEVATIONS

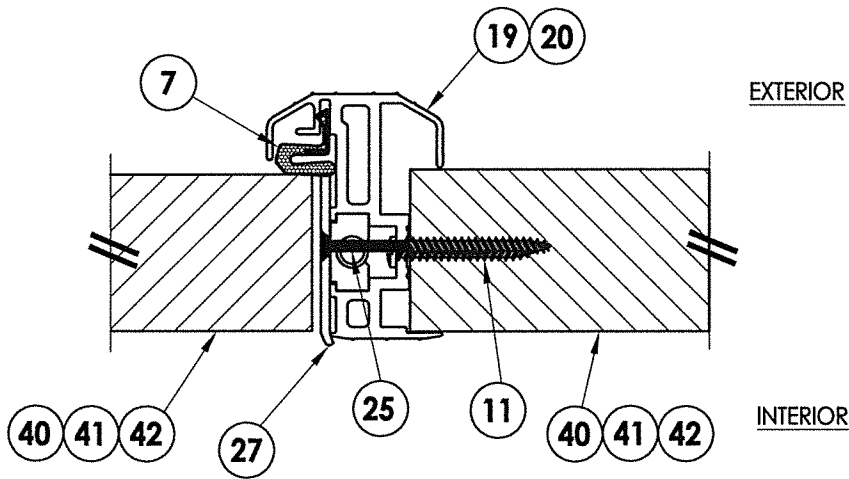
NO.	DATE	REVISIONS	BY

DATE: 1/06/21
 SCALE: N.T.S.
 DWG. BY: RW
 CHK. BY: LFS
 DRAWING NO.: TX-5139
 SHEET 4 OF 9

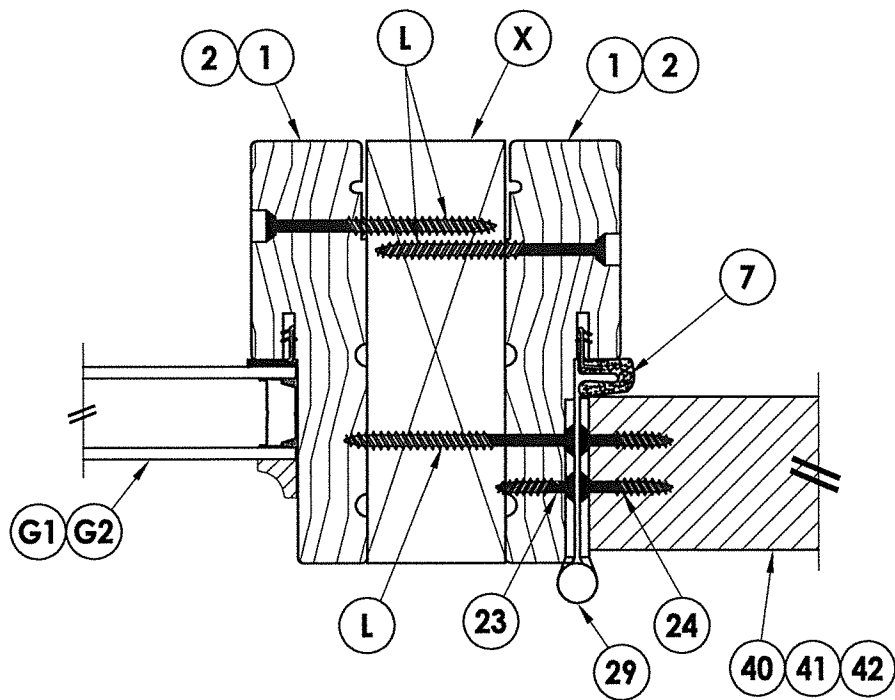
Z:\Clients\Therma Tru PERMANENT\B - Texas Dept of Ins\TDI - DR XXX - 6'8, 7' & 8' Opaque FG NonImp IS Dir Set Sidelites (TX 5134-5139)C - Drawings\TX-5138-39.dwg



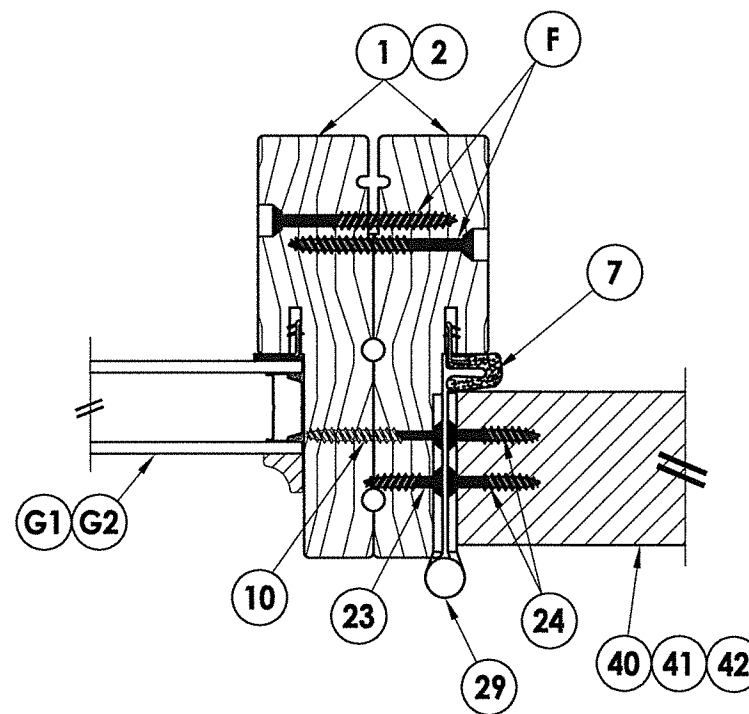
1
5 HORIZONTAL CROSS SECTION



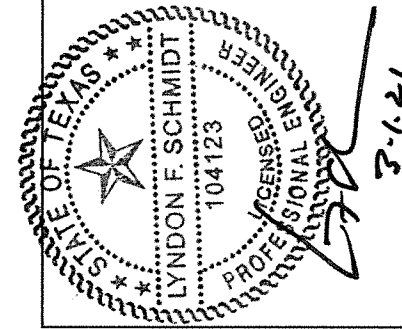
2
5 HORIZONTAL CROSS SECTION



3
5 HORIZONTAL CROSS SECTION
Shown w/ 2X Reinforcement



4
5 HORIZONTAL CROSS SECTION
Shown w/ Back-to-Back Jambs



Documents Prepared By: Lyndon F. Schmidt, P.E.
TEXAS P.E. #104123

RW BUILDING CONSULTANTS, INC.
P.O. Box 230 Valrico FL, 33595
Phone No.: 813.659.9197
TEXAS BOARD OF PROFESSIONAL ENGINEERS
CERTIFICATE OF REGISTRATION # F-11852

PRODUCT: THERMA-TRU
FIBERGLASS DOOR

PART OR ASSEMBLY:
HORIZONTAL
CROSS SECTIONS

NO.	DATE	BY

DATE: 1/06/21

SCALE: N.T.S.

DWG. BY: RW

CHK. BY: LFS

DRAWING NO.:

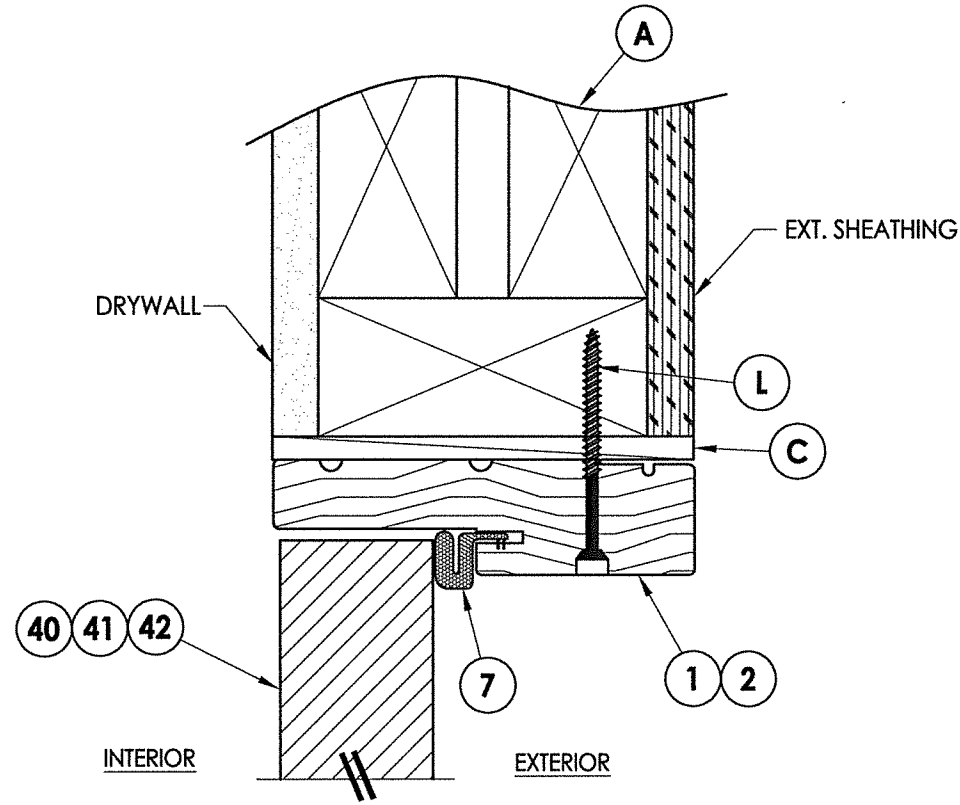
TX-5139

SHEET 5 OF 9

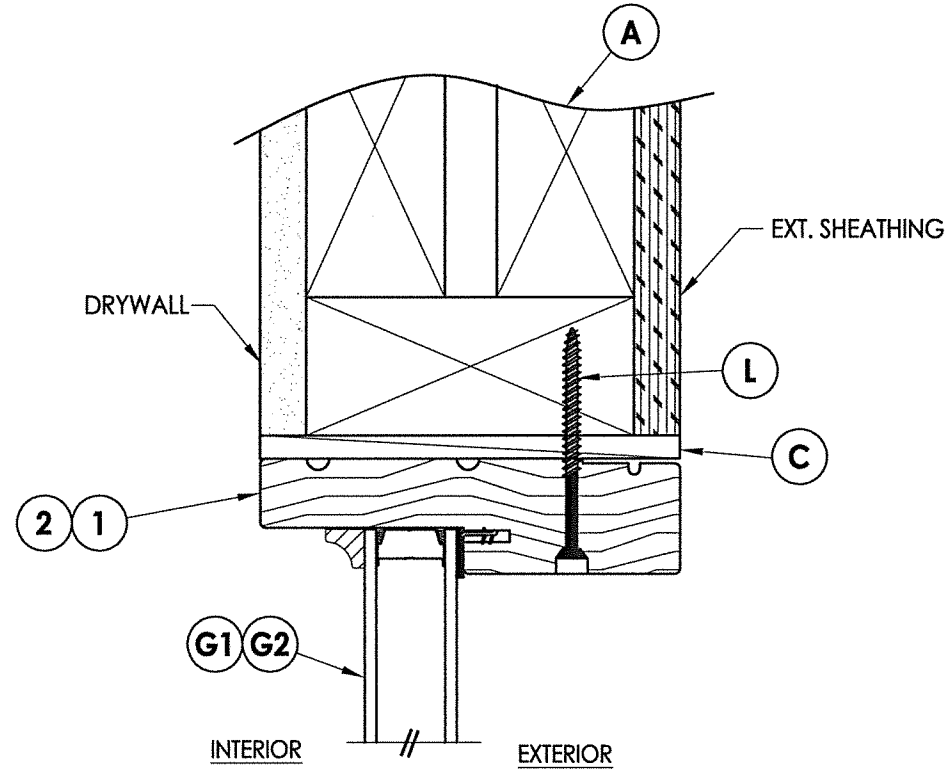
Z:\Clients\Therma Tru PERMANENT\B - Texas Dept of Ins\TDI - DR XXX - 6'8, 7' & 8' Opaque FG NonImp IS Dir Set Sidelites (TX 5134-5139)C - Drawings\TX-5138-39.dwg

Note:

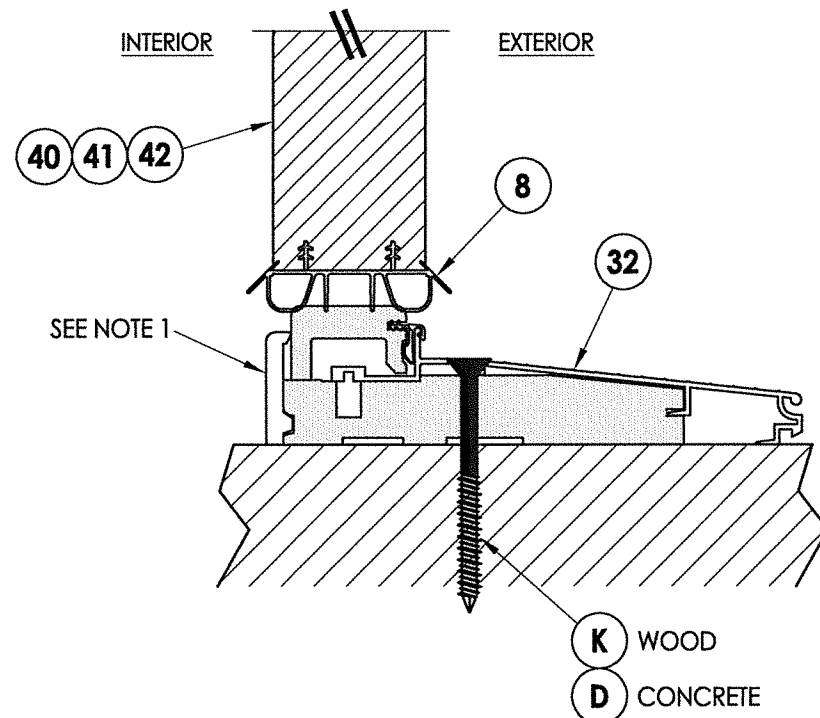
1. Sill Item #'s 32 & 33 are attached to jambs w/ (3) #8 X 2-1/2" pfh screws at each end.



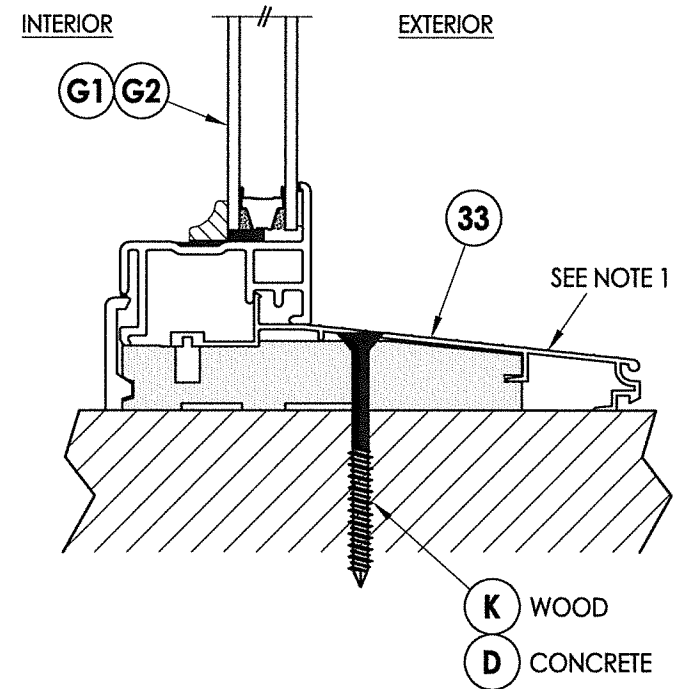
1
6 VERTICAL CROSS SECTION



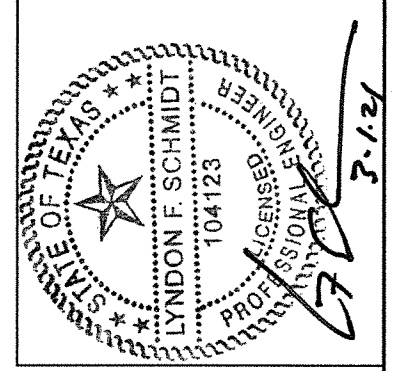
2
6 VERTICAL CROSS SECTION



3
6 VERTICAL CROSS SECTION
Inswing Sill



4
6 VERTICAL CROSS SECTION
Inswing Sill



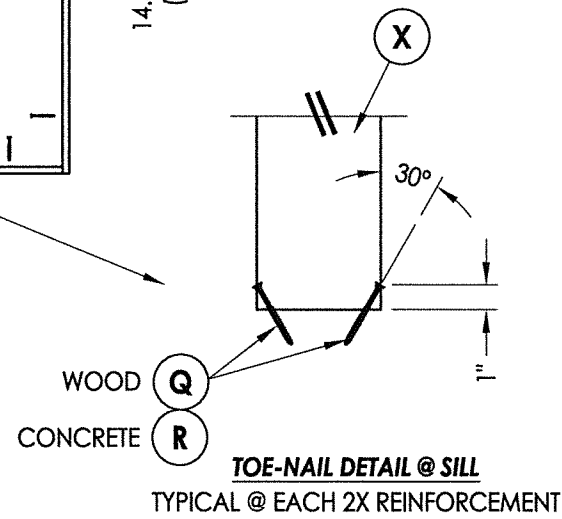
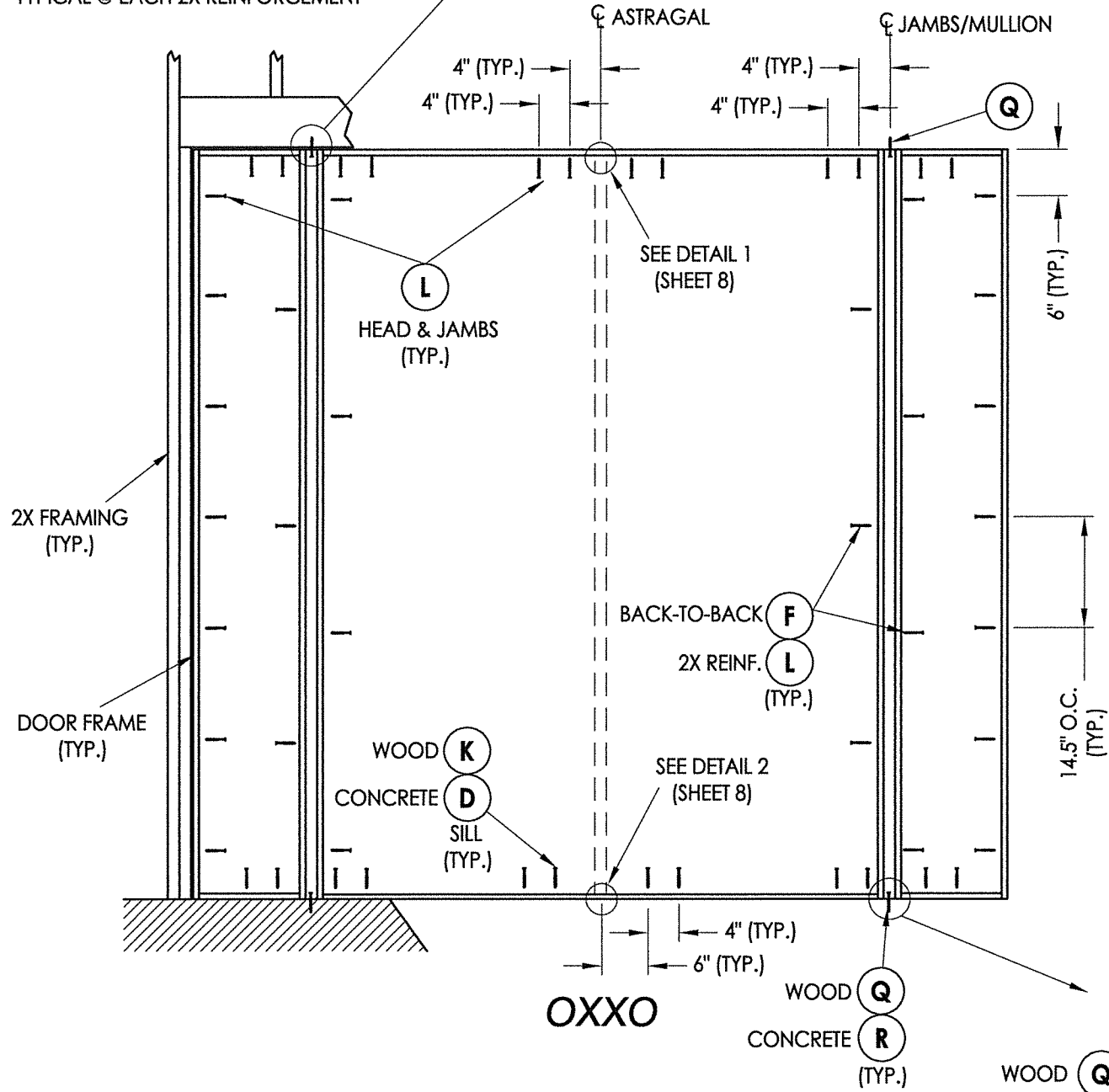
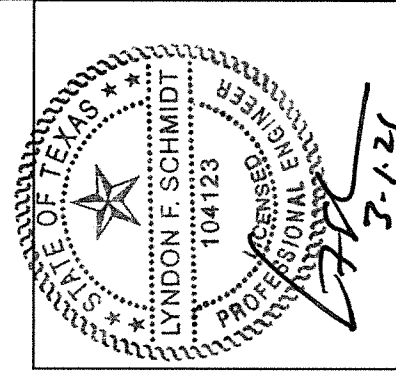
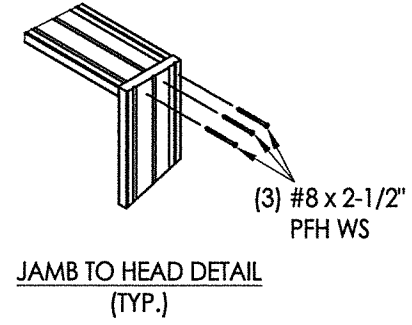
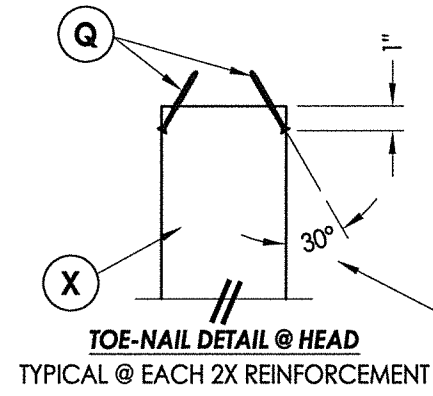
Documents Prepared By: Lyndon F. Schmidt, P.E.
TEXAS P.E. #104123

RW BUILDING CONSULTANTS, INC.
P.O. Box 230 Valrico FL 33595
Phone No.: 813.659.9197
TEXAS BOARD OF PROFESSIONAL ENGINEERS
CERTIFICATE OF REGISTRATION # F-11852

PRODUCT: THERMA-TRU FIBERGLASS DOOR
PART OR ASSEMBLY: VERTICAL CROSS SECTIONS

NO.	DATE	BY	REVISIONS

DATE: 1/06/21
SCALE: N.T.S.
DWG. BY: RW
CHK. BY: LFS
DRAWING NO.: TX-5139
SHEET 6 OF 9



FRAME ANCHORING

Documents Prepared By: Lyndon F. Schmidt, P.E.
TEXAS P.E. #104123

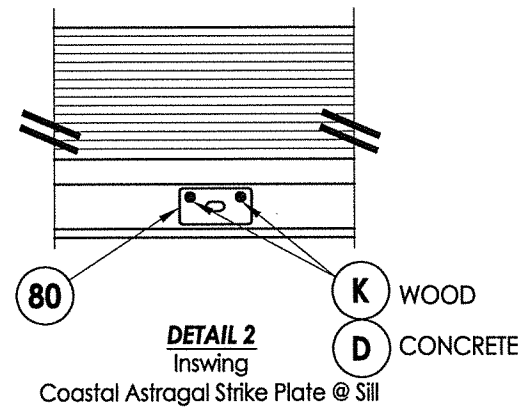
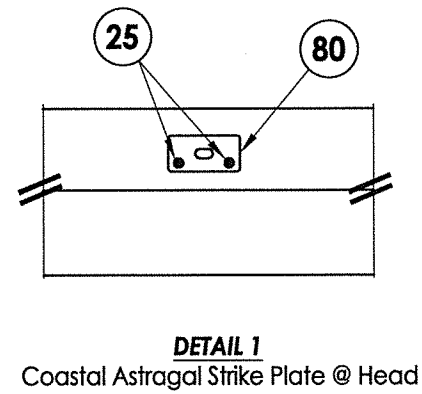
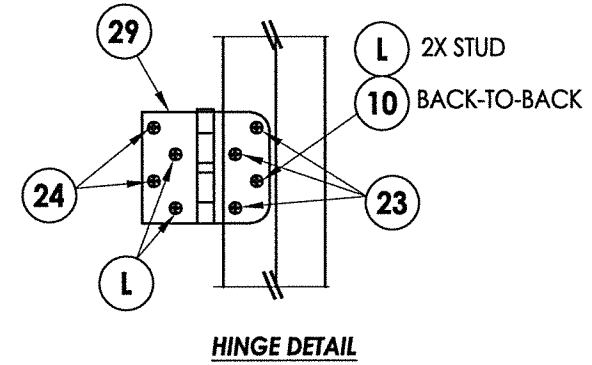
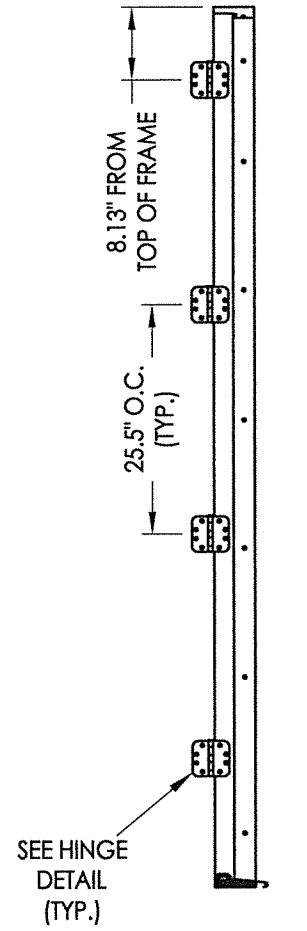
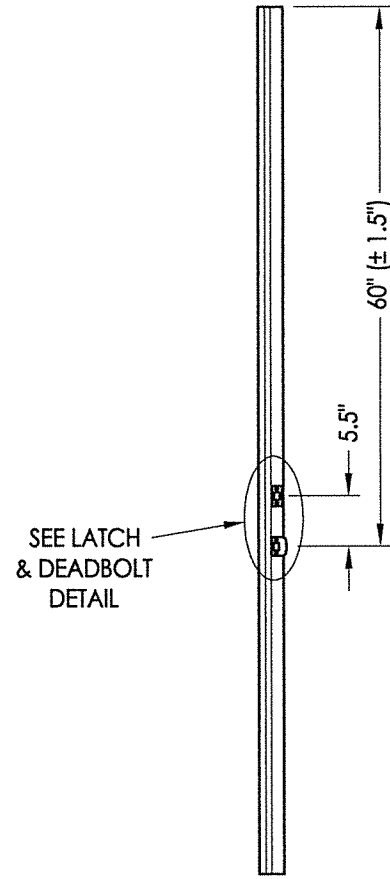
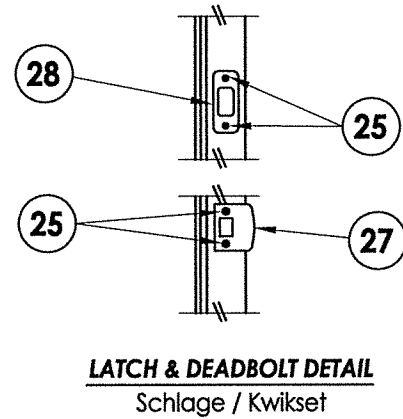
RW BUILDING CONSULTANTS, INC.
P.O. Box 230 Vairico FL. 33595
Phone No.: 813.659.9197

TEXAS BOARD OF PROFESSIONAL ENGINEERS
CERTIFICATE OF REGISTRATION # F-11852

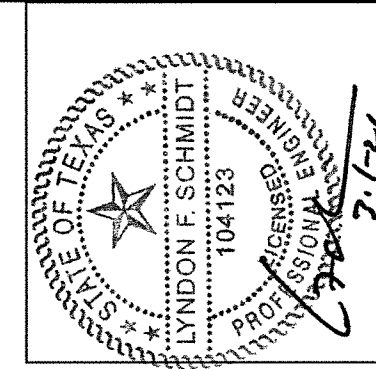
PRODUCT:	Therma-TRU FIBERGLASS DOOR
PART OR ASSEMBLY:	FRAME ANCHORING

NO.	DATE	BY	REVISIONS

DATE:	1/06/21
SCALE:	N.T.S.
DWG. BY:	RW
CHK. BY:	LFS
DRAWING NO.:	TX-5139
SHEET	7 OF 9



LATCH & DEADBOLT STRIKE DETAILS



Documents Prepared By: Lyndon F. Schmidt, P.E.
TEXAS P.E. #104123

RW BUILDING CONSULTANTS, INC.
P.O. Box 230 Valrico FL 33595
Phone No.: 813.659.9197
TEXAS BOARD OF PROFESSIONAL ENGINEERS
CERTIFICATE OF REGISTRATION # F-11852

PRODUCT:	THERMA-TRU FIBERGLASS DOOR
PART OR ASSEMBLY:	HARDWARE DETAILS

NO.	DATE	BY	REVISIONS

DATE:	1/06/21
SCALE:	N.T.S.
DWG. BY:	RW
CHK. BY:	LFS
DRAWING NO.:	TX-5139
SHEET	8 OF 9

