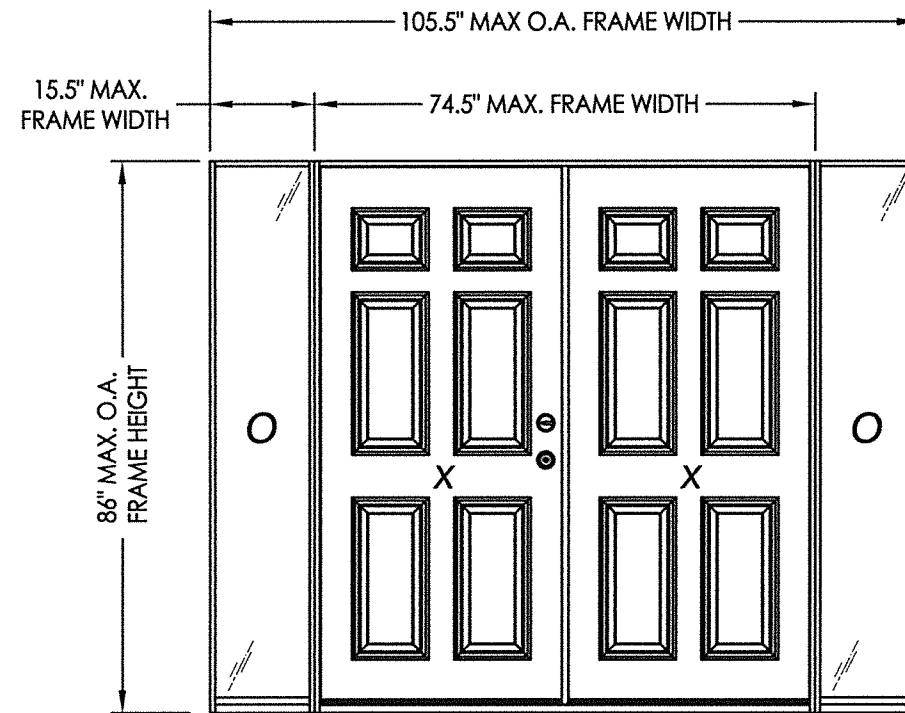


THERMA-TRU® DOORS

Fiber-Classic® & Smooth-Star®

WOOD OR COMPOSITE EDGE OPAQUE FIBERGLASS DOUBLE DOOR w/ DIRECT SET SIDELITES

**IN SWING
"NON-IMPACT"**



EVALUATED FOR USE IN THE STATE OF TEXAS

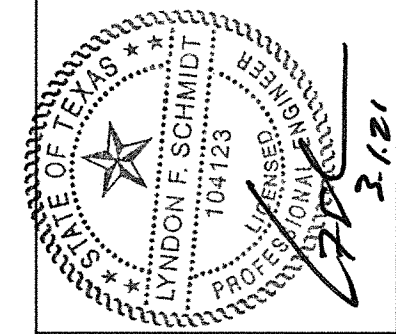
The Fiberglass Door system described herein complies with the 2018 International Residential Code (IRC), Sections R301 & R609 and the 2018 International Building Code (IBC), Sections 1404.13, 1609, 1709.5, 2403 and 2404 subject to the following conditions:

1. Anchors shall be as listed and spaced as shown in the details. Anchor embedment to base material shall be beyond wall dressing or stucco.
2. When used in areas requiring wind-borne debris protection this product is required to be protected with an impact resistant covering that complies with Section R301.2.1.2 of the IRC and Section 1609.1.2 of the IBC.
3. Allowable design pressure requirements must be equal to or less than the design pressure rating shown in the design pressure chart, sheet 1 of this drawing.
4. Conditions not covered by this drawing are subject to further engineering analysis.
5. Fiber-Classic and Smooth-Star Door and Sidelite panels require the use of "J" part numbers. These door and sidelite panels must be stained or painted within six months of installation.

TABLE OF CONTENTS

| SHEET # | DESCRIPTION | SHEET # | |
|---------|--|---------|--------------------------------|
| 1 | Typical Elevations, Design Pressures & General Notes | 6 | Vertical Cross Sections |
| 2 | Door Panel Details | 7 | Frame Anchoring |
| 3 | Sidelite Panel Details | 8 | Hardware Details |
| 4 | Elevations | 9 | Bill of Materials & Components |
| 5 | Horizontal Cross Sections | | |

| CONFIGURATION | 2X REINFORCEMENT REQUIRED | ASTRAGAL | DESIGN PRESSURE (PSF) w/ FJ PINE JAMBS | | DESIGN PRESSURE (PSF) w/ COMPOSITE JAMBS | |
|---------------|---------------------------|----------|--|----------|--|----------|
| | | | POSITIVE | NEGATIVE | POSITIVE | NEGATIVE |
| OXXO | NO | STANDARD | +40.0 | -45.0 | +50.0 | -50.0 |



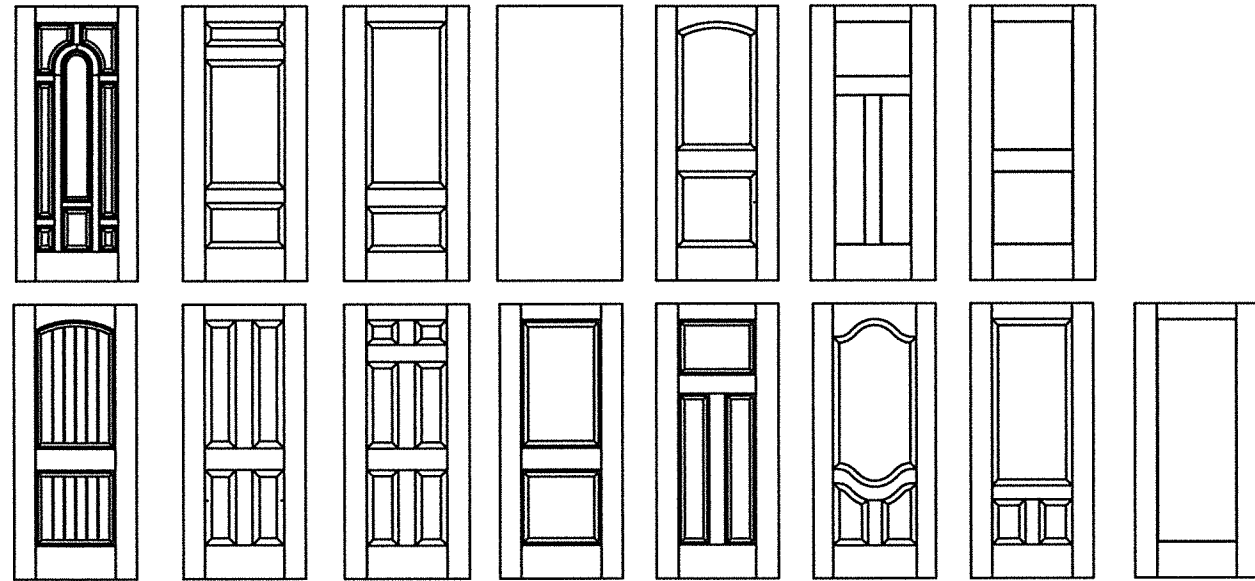
Documents Prepared By: Lyndon F. Schmidt, P.E.
TEXAS P.E. #104123

RW BUILDING CONSULTANTS, INC.
P.O. Box 230 Valrico FL 33595
Phone No.: 813.659.9197

TEXAS BOARD OF PROFESSIONAL ENGINEERS
CERTIFICATE OF REGISTRATION # F-11852

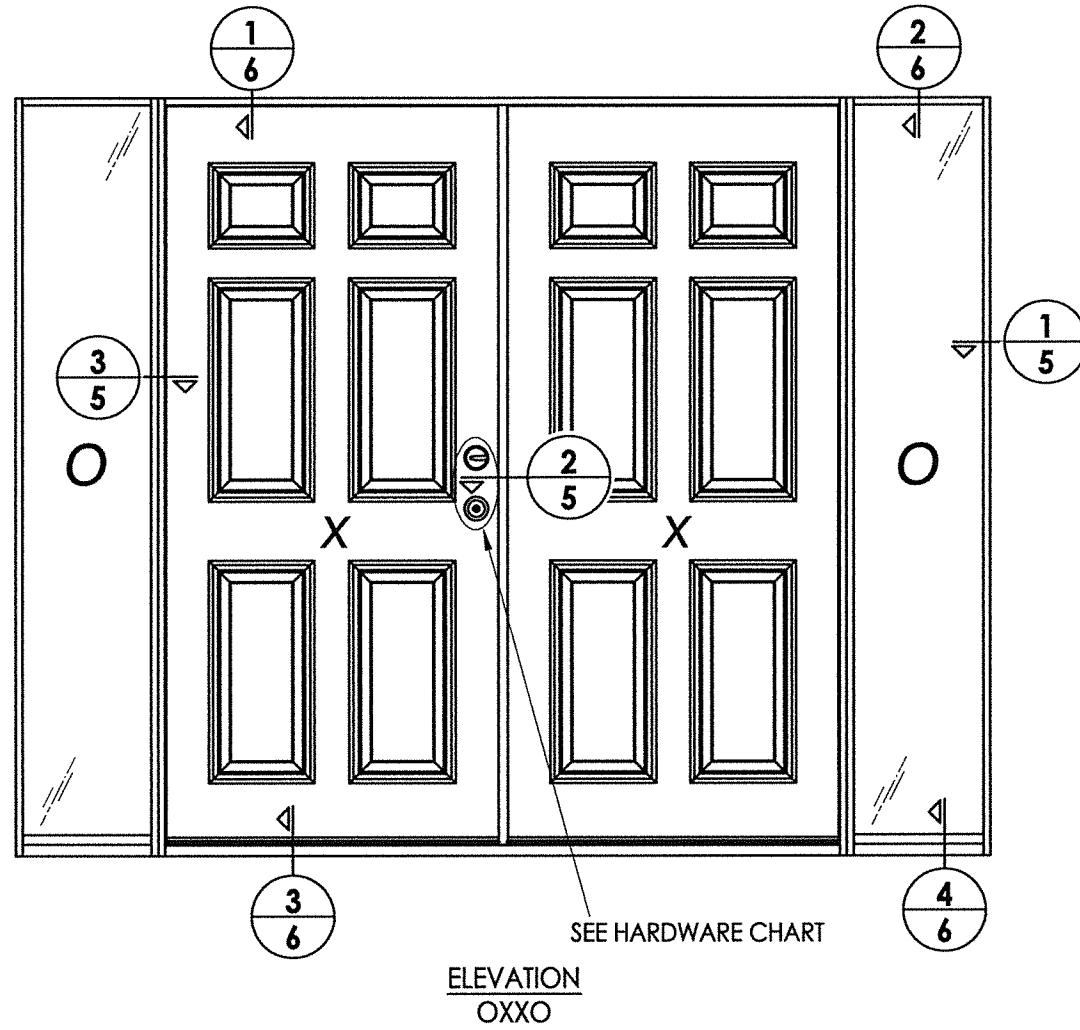
| | | | |
|-------------------|--|----|-----------|
| PRODUCT: | THERMA-TRU FIBERGLASS DOOR | | |
| PART OR ASSEMBLY: | TYPICAL ELEVATION, DESIGN PRESSURES & GENERAL NOTES | | |
| NO. | DATE | BY | REVISIONS |
| | | | |
| | | | |
| | | | |

DATE: 1/06/21
SCALE: N.T.S.
DWG. BY: RW
CHK. BY: LFS
DRAWING NO.: TX-5137
SHEET 1 OF 9



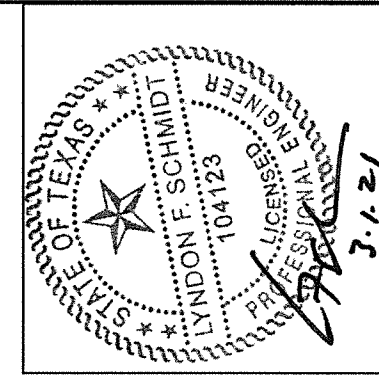
Fiber-Classic/Smooth-Star Door Panel Options

Products approved include all embossed and recessed panel doors.
 Similar opaque panel configurations are allowed.
 Panels shown are for illustration and are representative only.



| HARDWARE TABLE | |
|----------------|--|
| MANUFACTURER | MODEL |
| SCHLAGE | KNOB: F51 DEADBOLT: B60 |
| KWIKSET | KNOB: SIGNATURE SERIES DEADBOLT: SIGNATURE SERIES (980) |

DATE: 1/06/21
 SCALE: N.T.S.
 DWG. BY: RW
 CHK. BY: LFS
 DRAWING NO.: TX-5137
 SHEET 4 OF 9



Documents Prepared By: Lyndon F. Schmidt, P.E.
 TEXAS P.E. #104123

RW BUILDING CONSULTANTS, INC.
 P.O. Box 230 Valrico FL 33595
 Phone No.: 813.659.9197

TEXAS BOARD OF PROFESSIONAL ENGINEERS
 CERTIFICATE OF REGISTRATION # F-11852

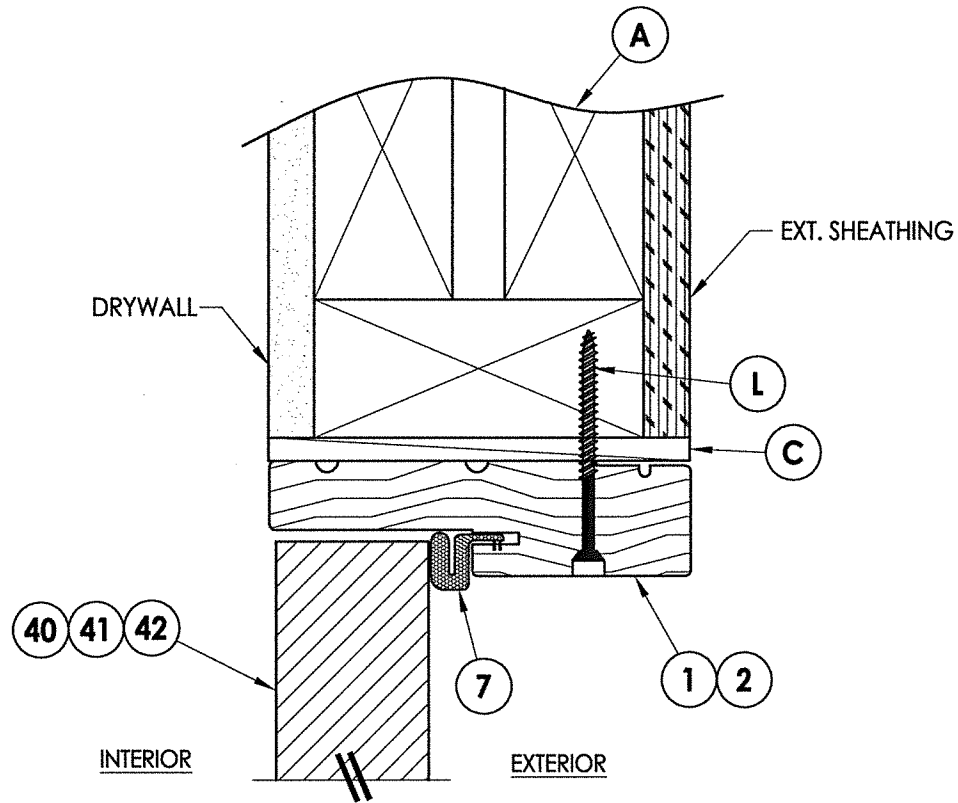
PRODUCT: THERMA-TRU FIBERGLASS DOOR
 PART OR ASSEMBLY: ELEVATIONS

| NO. | DATE | BY | REVISIONS |
|-----|------|----|-----------|
| | | | |
| | | | |
| | | | |

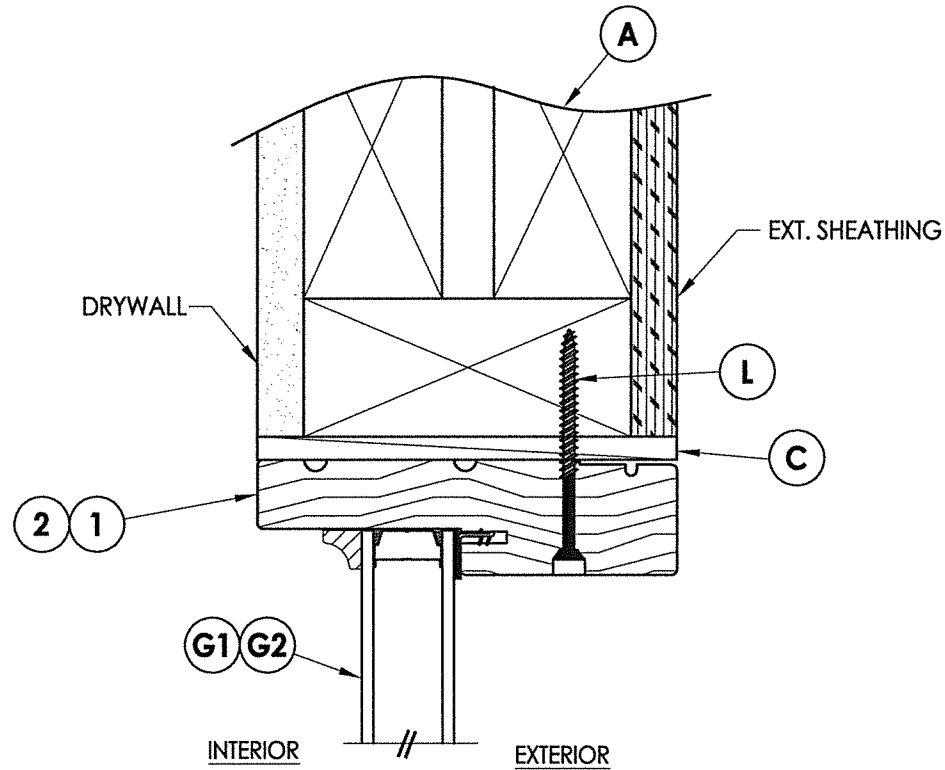
Z:\Clients\Therma Tru PERMANENT\B - Texas Dept of Ins\TDI - DR XXX - 6'8, 7' & 8' Opaque FG NonImp IS Dir Set Sidelites (TX 5134-5139)\C - Drawings\TX-5136-37.dwg

Note:

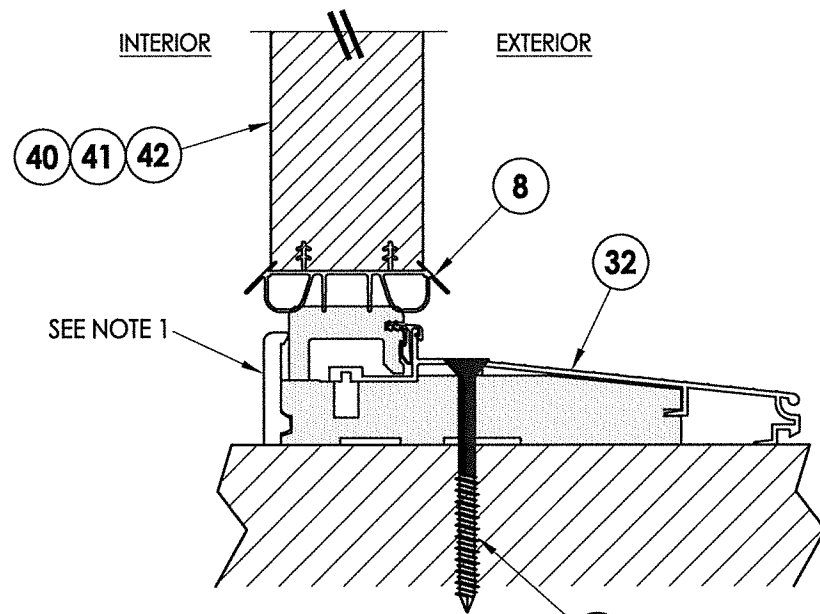
1. Sill Item #'s 32 & 33 are attached to jambs w/ (3) #8 X 2-1/2" pfh screws at each end.



1
6 VERTICAL CROSS SECTION

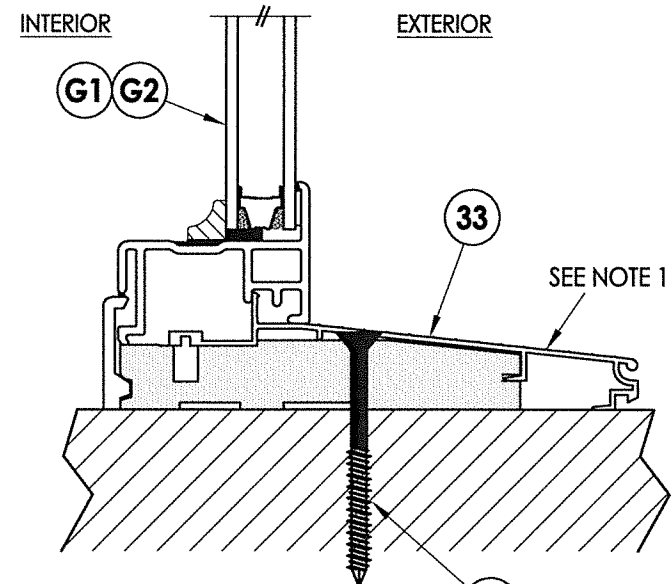


2
6 VERTICAL CROSS SECTION

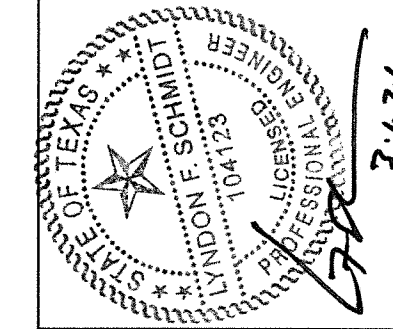


3
6 VERTICAL CROSS SECTION
Inswing Sill

K WOOD
D CONCRETE



4
6 VERTICAL CROSS SECTION
Inswing Sill



Documents Prepared By: Lyndon F. Schmidt, P.E.
TEXAS P.E. #104123

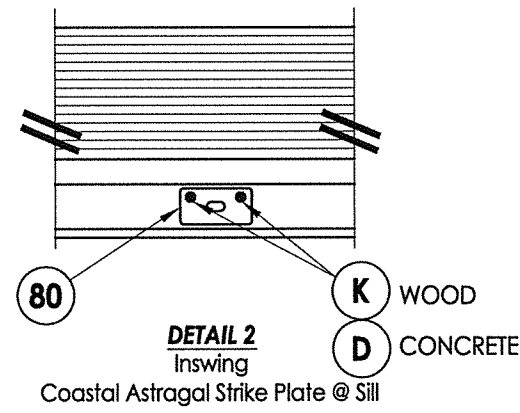
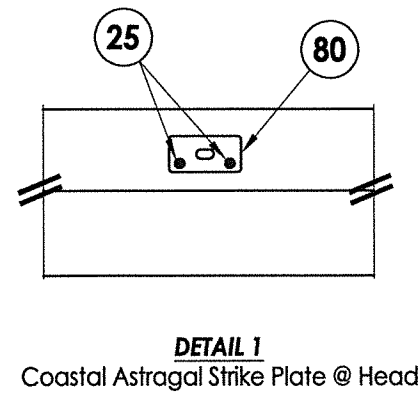
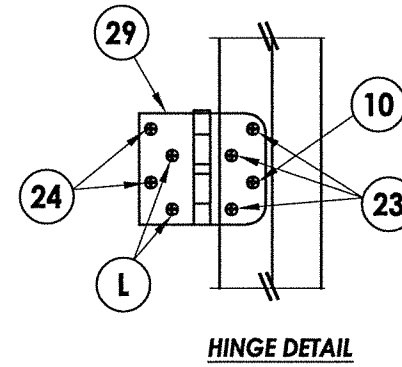
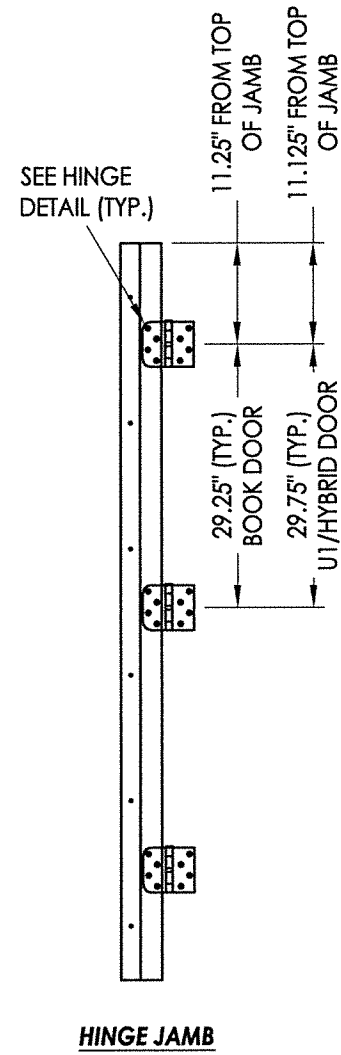
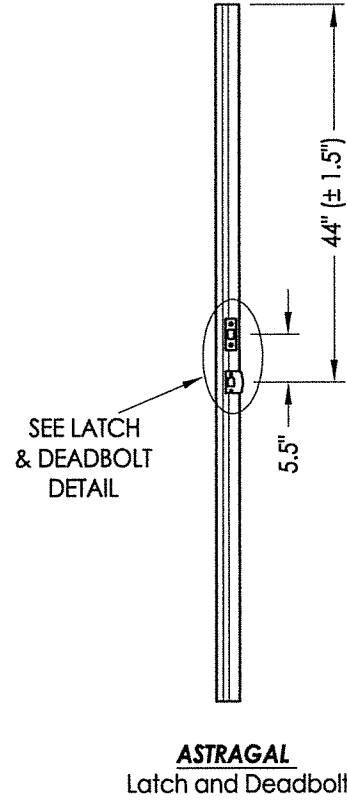
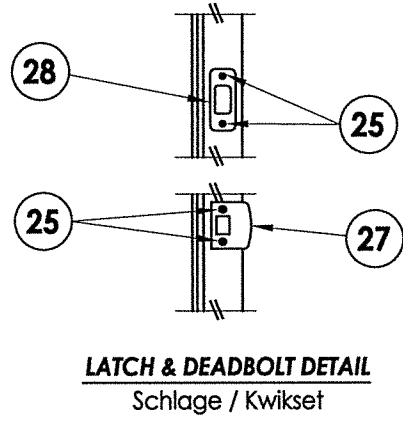
RW BUILDING CONSULTANTS, INC.
P.O. Box 230 Valrico FL 33595
Phone No.: 813.659.9197

TEXAS BOARD OF PROFESSIONAL ENGINEERS
CERTIFICATE OF REGISTRATION # F-11852

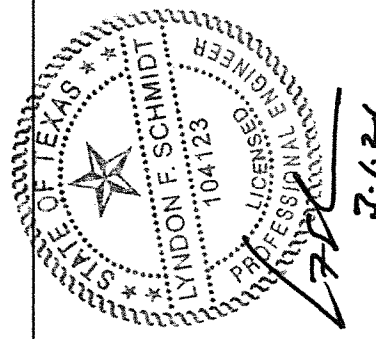
PRODUCT: THERMA-TRU FIBERGLASS DOOR
PART OR ASSEMBLY: VERTICAL CROSS SECTIONS

| NO. | DATE | BY | REVISIONS |
|-----|------|----|-----------|
| | | | |
| | | | |
| | | | |

DATE: 1/06/21
SCALE: N.T.S.
DWG. BY: RW
CHK. BY: LFS
DRAWING NO.: TX-5137
SHEET 6 OF 9



LATCH & DEADBOLT STRIKE DETAILS



Documents Prepared By: Lyndon F. Schmidt, P.E.
TEXAS P.E. #104123

RW BUILDING CONSULTANTS, INC.
P.O. Box 230 Valrico FL, 33595
Phone No.: 813.659.9197

TEXAS BOARD OF PROFESSIONAL ENGINEERS
CERTIFICATE OF REGISTRATION # F-11852

PRODUCT: THERMA-TRU FIBERGLASS DOOR

PART OR ASSEMBLY: HARDWARE DETAILS

| NO. | DATE | BY | REVISIONS |
|-----|------|----|-----------|
| | | | |
| | | | |
| | | | |
| | | | |

DATE: 1/06/21

SCALE: N.T.S.

DWG. BY: RW

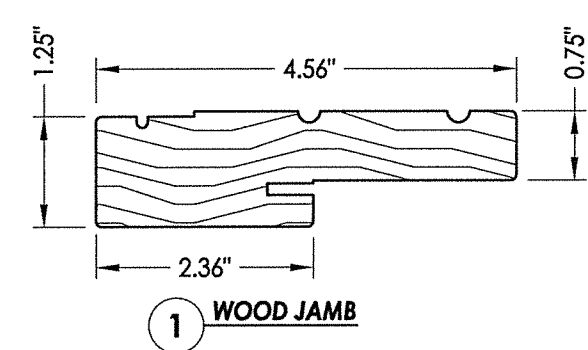
CHK. BY: LFS

DRAWING NO.: TX-5137

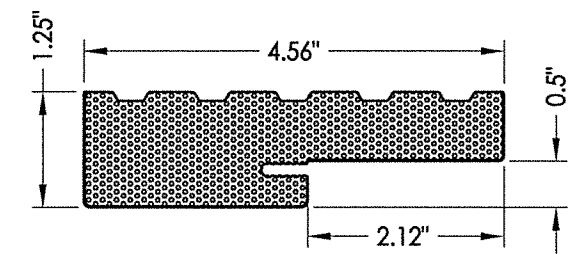
SHEET 8 OF 9

Z:\Clients\Therma Tru PERMANENT\B - Texas Dept of Ins\TDI - DR XXX - 6'8, 7' & 8' Opaque FG NonImp IS Dir Set Sidelites (TX 5134-5139)\C - Drawings\TX-5136-37.dwg

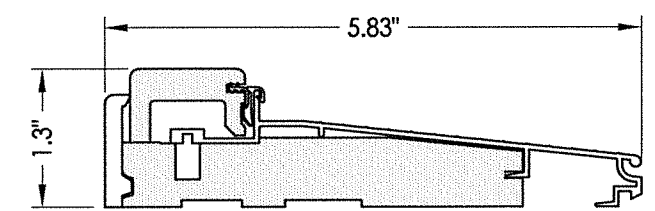
| BILL OF MATERIALS | | |
|-------------------|--|-----------|
| ITEM # | DESCRIPTION | MATERIAL |
| B | 2X BUCK (G >= 0.42) | WOOD |
| C | 1/4" MAX. SHIM SPACE | - |
| D | 1/4" PFH DeWALT OR ITW CONCRETE SCREW | STEEL |
| F | #10 X 2" PFH WOOD SCREW | STEEL |
| L | #10 X 2-1/2" PFH WOOD SCREW (1.15" MIN. EMBEDMENT) | STEEL |
| 1 | WOOD JAMB (FINGER JOINT PINE) | WOOD |
| 2 | COMPOSITE JAMB | COMP |
| 7 | WEATHERSTRIP | FOAM |
| 8 | DOOR SWEEP | VINYL |
| 10 | #10 X 1-1/2" PFH WOOD SCREW | STEEL |
| 19 | STANDARD ALUMINUM ASTRAGAL | ALUM |
| 22 | #8 X 3/4" PFH WOOD SCREW | STEEL |
| 23 | #9 X 3/4" PFH WOOD SCREW | STEEL |
| 24 | #9 X 1" PFH WOOD SCREW | STEEL |
| 25 | #8 X 1-1/2" PFH WOOD SCREW | STEEL |
| 26 | #8 X 5/8" PFH WOOD SCREW | STEEL |
| 27 | LATCH STRIKE PLATE | STEEL |
| 28 | DEADBOLT STRIKE PLATE | STEEL |
| 28A | DEADBOLT SUB STRIKE PLATE | STEEL |
| 29 | 4" X 4" HINGE | STEEL |
| 32 | INSWING THRESHOLD | ALUM/COMP |
| 33 | INSWING THRESHOLD w/ SIDELITE ADAPTER | ALUM/COMP |
| 40 | DOOR PANEL (BOOK) | - |
| 41 | DOOR PANEL (HYBRID) | - |
| 42 | DOOR PANEL (U1) | - |
| 50 | SIDELITE PANEL | - |
| 80 | ASTRAGAL STRIKE PLATE | STEEL |



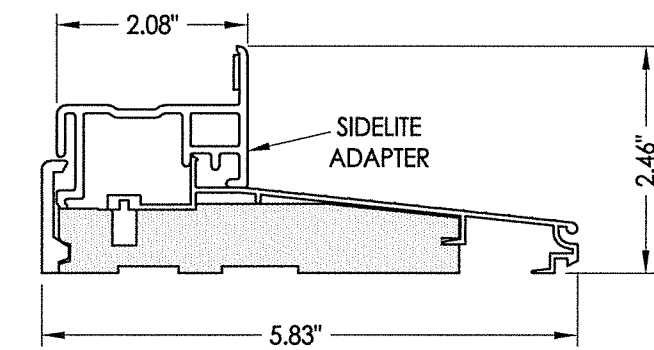
1 WOOD JAMB



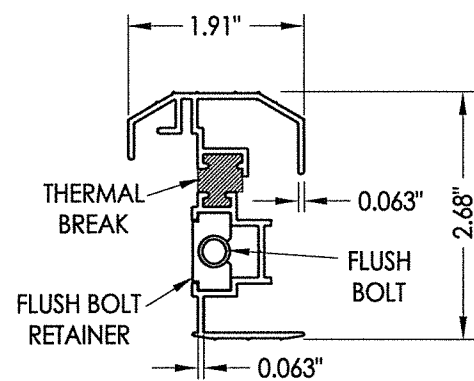
2 COMPOSITE JAMB



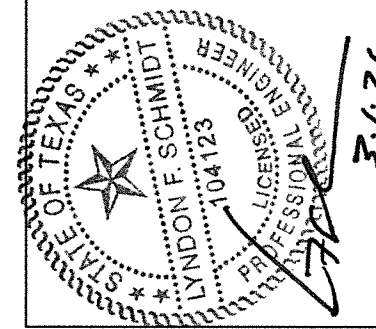
32 INSWING THRESHOLD
Adjustable Composite Sill



33 INSWING THRESHOLD w/ SIDELITE ADAPTER
Composite Sill



19 STANDARD ALUMINUM ASTRAGAL



Documents Prepared By: Lyndon F. Schmidt, P.E.
TEXAS P.E. #104123

RW BUILDING CONSULTANTS, INC.
P.O. Box 230 Valrico FL 33595
Phone No.: 813.659.9197

TEXAS BOARD OF PROFESSIONAL ENGINEERS
CERTIFICATE OF REGISTRATION # F-11852

PRODUCT: THERMA-TRU FIBERGLASS DOOR
PART OR ASSEMBLY: BILL OF MATERIALS & COMPONENTS

| NO. | DATE | BY | REVISIONS |
|-----|------|----|-----------|
| | | | |
| | | | |
| | | | |

DATE: 1/06/21
SCALE: N.T.S.
DWG. BY: RW
CHK. BY: LFS
DRAWING NO.: TX-5137
SHEET 9 OF 9

CONCRETE ANCHOR NOTES:

- Concrete anchor locations at the corners may be adjusted to maintain the min. edge distance to mortar joints.
- Concrete anchor locations noted as "MAX. ON CENTER" must be adjusted to maintain the min. edge distance to mortar joints, additional concrete anchors may be required to ensure the "MAX. ON CENTER" dimension are not exceeded.
- Concrete anchor table:

| ANCHOR TYPE | ANCHOR SIZE | MIN. EMBEDMENT | MIN. CLEARANCE TO MASONRY EDGE | MIN. CLEARANCE TO ADJACENT ANCHOR |
|------------------|-------------|----------------|--------------------------------|-----------------------------------|
| ITW TAPCON® | 1/4" | 1-3/4" | 2" | 4" |
| DeWALT ULTRACON® | 1/4" | 1-3/4" | 1" | 4" |

WOOD SCREW INSTALLATION NOTES:

- Maintain a minimum 5/8" edge distance, 1" end distance, & 1" o.c. spacing of wood screws to prevent the splitting of wood.