

REVISIONS			
REV	DESCRIPTION	DATE	APPROVED

NOTES:

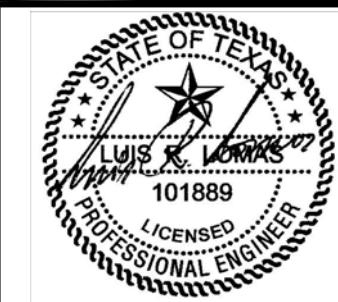
1. THE PRODUCT SHOWN HEREIN IS DESIGNED AND MANUFACTURED TO COMPLY WITH REQUIREMENTS OF THE 2018 IBC AND 2018 IRC.
2. WOOD FRAMING AND MASONRY OPENING TO BE DESIGNED AND ANCHORED TO PROPERLY TRANSFER ALL LOADS TO STRUCTURE. FRAMING AND MASONRY OPENING IS THE RESPONSIBILITY OF THE ARCHITECT OR ENGINEER OF RECORD.
3. 1X BUCK OVER MASONRY/CONCRETE IS OPTIONAL.
4. WHERE SHIM OR BUCK THICKNESS IS LESS THAN 1-1/2" UNITS MUST BE ANCHORED THROUGH THE FRAME IN ACCORDANCE WITH MANUFACTURER'S PUBLISHED INSTALLATION INSTRUCTIONS. ANCHORS SHALL BE SECURELY FASTENED DIRECTLY INTO MASONRY, CONCRETE OR OTHER STRUCTURAL SUBSTRATE MATERIAL.
5. WHERE WOOD BUCK THICKNESS IS 1-1/2" OR GREATER, BUCK SHALL BE SECURELY FASTENED TO MASONRY, CONCRETE OR OTHER STRUCTURAL SUBSTRATE. UNITS MAY BE ANCHORED THROUGH FRAME TO SECURED WOOD BUCK IN ACCORDANCE WITH MANUFACTURER'S PUBLISHED INSTALLATION INSTRUCTIONS.
6. WHERE 1X BUCK IS NOT USED DISSIMILAR MATERIALS MUST BE SEPARATED WITH APPROVED COATING OR MEMBRANE. SELECTION OF COATING OR MEMBRANE IS THE RESPONSIBILITY OF THE ARCHITECT OR ENGINEER OF RECORD.
7. BUCKS SHALL EXTEND BEYOND UNIT FRAME INTERIOR FACE SO THAT FULL FRAME SUPPORT IS PROVIDED.
8. SHIM AS REQUIRED AT EACH ANCHOR LOCATION WITH LOAD BEARING SHIM. SHIM WHERE SPACE OF 1/16" OR GREATER OCCURS. MAXIMUM ALLOWABLE SHIM STACK TO BE 1/4".
9. SHIMS SHALL BE LOCATED, APPLIED AND MADE FROM MATERIALS AND THICKNESS CAPABLE OF SUSTAINING APPLICABLE LOADS.
10. WIND LOAD DURATION FACTOR Cd=1.6 WAS USED FOR WOOD ANCHOR CALCULATIONS.
11. FRAME JAMB AND HEAD MATERIAL: CO-EXTRUDED PVC FOAM 1 1/2" THICK.
12. FRAME SILL MATERIAL: CO-EXTRUDED PVC FOAM 2" THICK WITH ALUMINUM CLADDING .063" THICK.
13. DOOR PANEL AND SIDELITE MATERIAL: PVC FOAM TOP AND BOTTOM RAILS, AND PVC FOAM VERTICAL STILES WITH PINE REINFORCEMENTS AND POLYURETHANE FOAM CORE.
14. UNITS MUST BE GLAZED PER ASTM E1300-04/09, WITH SAFETY GLAZING.
15. APPROVED IMPACT PROTECTIVE SYSTEM IS REQUIRED FOR THIS PRODUCT IN WIND BORNE DEBRIS REGIONS.

16. FOR ANCHORING THROUGH FRAME INTO WOOD FRAMING OR 2X BUCK USE #10 WOOD SCREWS WITH SUFFICIENT LENGTH TO ACHIEVE A 1 1/4" MINIMUM EMBEDMENT INTO SUBSTRATE. LOCATE ANCHORS AS SHOWN IN ELEVATIONS AND INSTALLATION DETAILS.
17. FOR ANCHORING THROUGH FRAME INTO MASONRY/CONCRETE USE 1/4" TAPCON WITH SUFFICIENT LENGTH TO ACHIEVE A 1 1/4" MINIMUM EMBEDMENT INTO SUBSTRATE WITH 2" MINIMUM EDGE DISTANCE. LOCATE ANCHORS AS SHOWN IN ELEVATIONS AND INSTALLATION DETAILS.
18. FOR ANCHORING THROUGH FRAME INTO METAL STRUCTURE USE #10 SMS OR SELF DRILLING SCREWS WITH SUFFICIENT LENGTH TO ACHIEVE 3 THREADS MINIMUM BEYOND STRUCTURE INTERIOR WALL. LOCATE ANCHORS AS SHOWN IN ELEVATIONS AND INSTALLATION DETAILS.
19. ALL FASTENERS TO BE CORROSION RESISTANT.
20. INSTALLATION ANCHORS SHALL BE INSTALLED IN ACCORDANCE WITH ANCHOR MANUFACTURER'S INSTALLATION INSTRUCTIONS AND ANCHORS SHALL NOT BE USED IN SUBSTRATES WITH STRENGTHS LESS THAN THE MINIMUM STRENGTH SPECIFIED BELOW:
  - A. WOOD: MINIMUM SPECIFIC GRAVITY OF G=0.42
  - B. CONCRETE: MINIMUM COMPRESSIVE STRENGTH OF 2,000 PSI.
  - C. MASONRY: HOLLOW/FILLED BLOCK PER ASTM C90 WITH Fm=2,000PSI MINIMUM.
  - D. METAL STRUCTURE: STEEL 18GA (.048") FY=33KSI/FU=52KSI OR ALUMINUM 6063-T5 FU=30KSI .054" THICK MINIMUM
21. APPROVED CONFIGURATIONS: OX, XO AND OXXO. SEE SHEET 3.

SIGNED: 07/15/2020

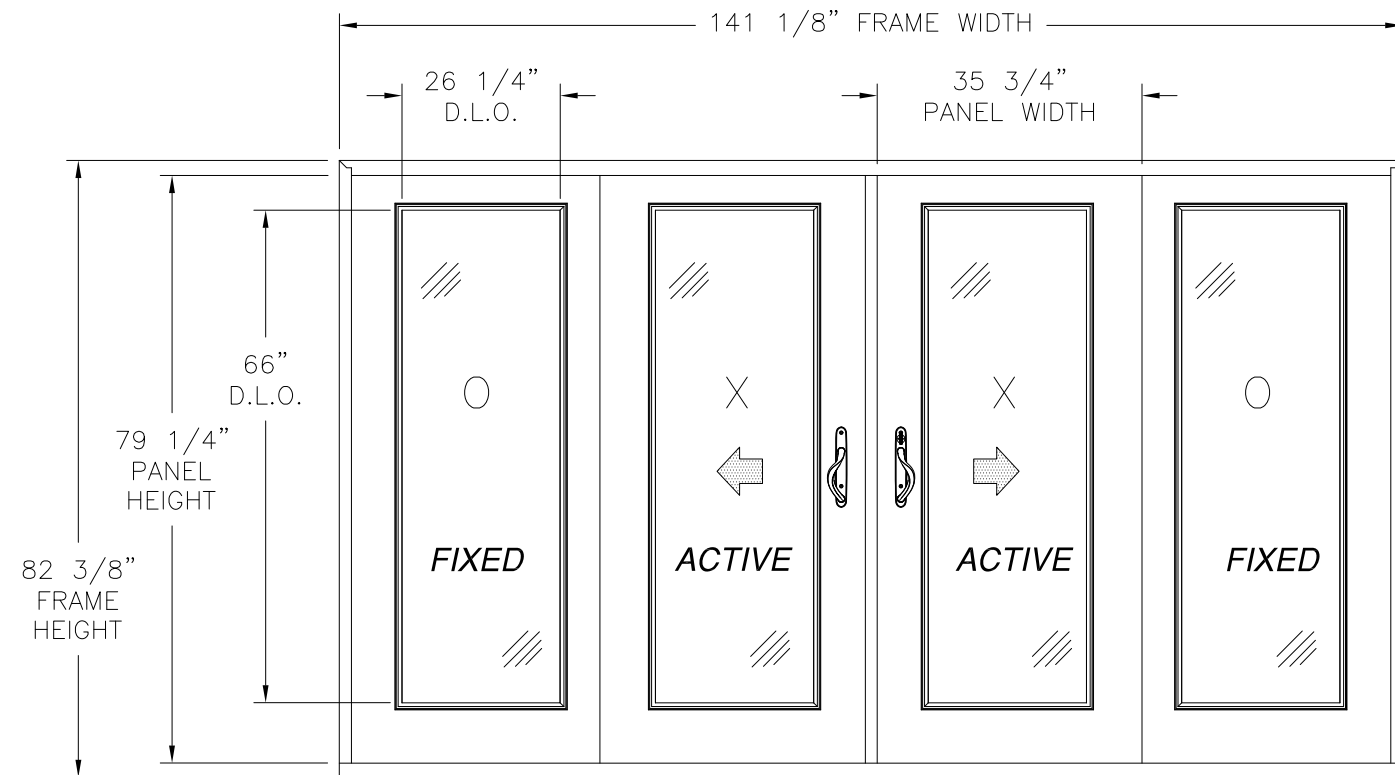
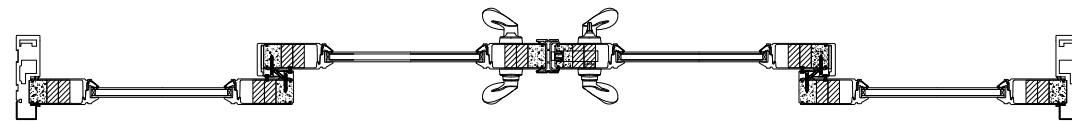
TABLE OF CONTENTS	
SHEET NO.	DESCRIPTION
1	NOTES
2	OXXO ELEVATION
3	ADDITIONAL CONFIGURATIONS & HARDWARE
4	ANCHORING LAYOUTS
5 - 7	INSTALLATION DETAILS
8	COMPONENTS

<b>NAN YA PLASTICS CORP. USA</b> 8989 NORTH LOOP EAST HOUSTON, TX 77029		
SERIES SPLS GLIDING PATIO DOOR 120611 NON-IMPACT NOTES		
DRAWN: A.R.	DWG NO. 08-03396	REV -
SCALE NTS	DATE 04/11/19	SHEET 1 OF 8
L. ROBERTO LOMAS P.E. 1432 WOODFORD RD LEWISVILLE, NC 27023 434-688-0609 rllomas@rlomaspe.com		



Luis R. Lomas P.E.  
TX No.: 101889

REVISIONS			
REV	DESCRIPTION	DATE	APPROVED



**SERIES SPLS GLIDING PATIO DOOR - 120611**  
EXTERIOR VIEW

WITH AND WITHOUT SILL RISER

DESIGN PRESSURE RATING	IMPACT RATING
±50.0PSF	NONE

(4) PANELS SHOWN, UNLIMITED NUMBER OF PANELS IN UNLIMITED CONFIGURATIONS ARE APPROVED AS LONG AS INDIVIDUAL PANEL AREA DOES NOT EXCEED 19.67 FT<sup>2</sup>

**HARDWARE SCHEDULE**

- A. ONE POINT LOCKING SYSTEM
- B. (1) DIE CAST HANDLE SET PER ACTIVE PANEL
- C. (2) STAINLESS STEEL TANDEM ROLLERS PER PANEL
- D. PVC ASTRAGAL BY NAN YA PLASTICS

NAN YA PLASTICS CORP. USA  
8989 NORTH LOOP EAST  
HOUSTON, TX 77029

SERIES SPLS GLIDING PATIO DOOR  
120611 NON-IMPACT  
OXXO ELEVATION

DRAWN: A.R.	DWG NO. 08-03396	REV -
SCALE NTS	DATE 04/11/19	SHEET 2 OF 8

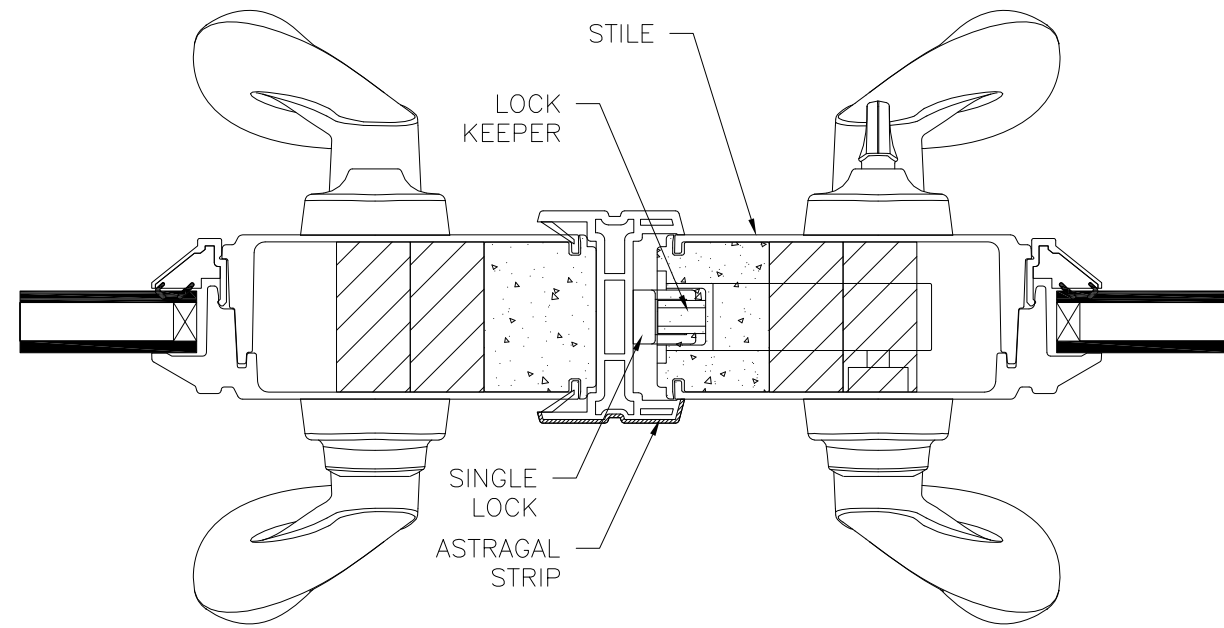
L. ROBERTO LOMAS P.E.  
1432 WOODFORD RD LEWISVILLE, NC 27023  
434-688-0609 rllomas@rlomaspe.com

SIGNED: 07/15/2020

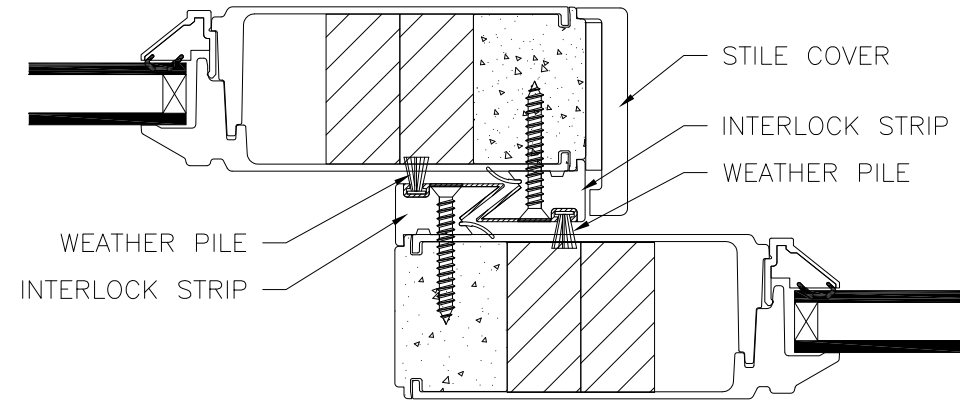


Luis R. Lomas P.E.  
TX No.: 101889

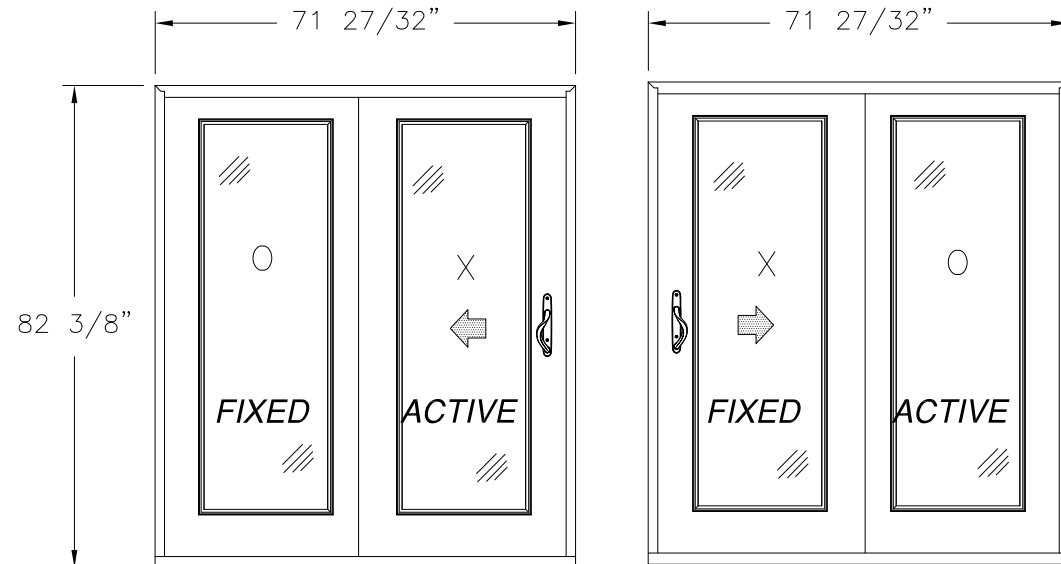
REVISIONS			
REV	DESCRIPTION	DATE	APPROVED



**ASTRAGAL DETAIL**



**MEETING RAIL DETAIL**



**SINGLE W/SIDELITE  
EXTERIOR VIEW**

**SINGLE W/SIDELITE  
EXTERIOR VIEW**

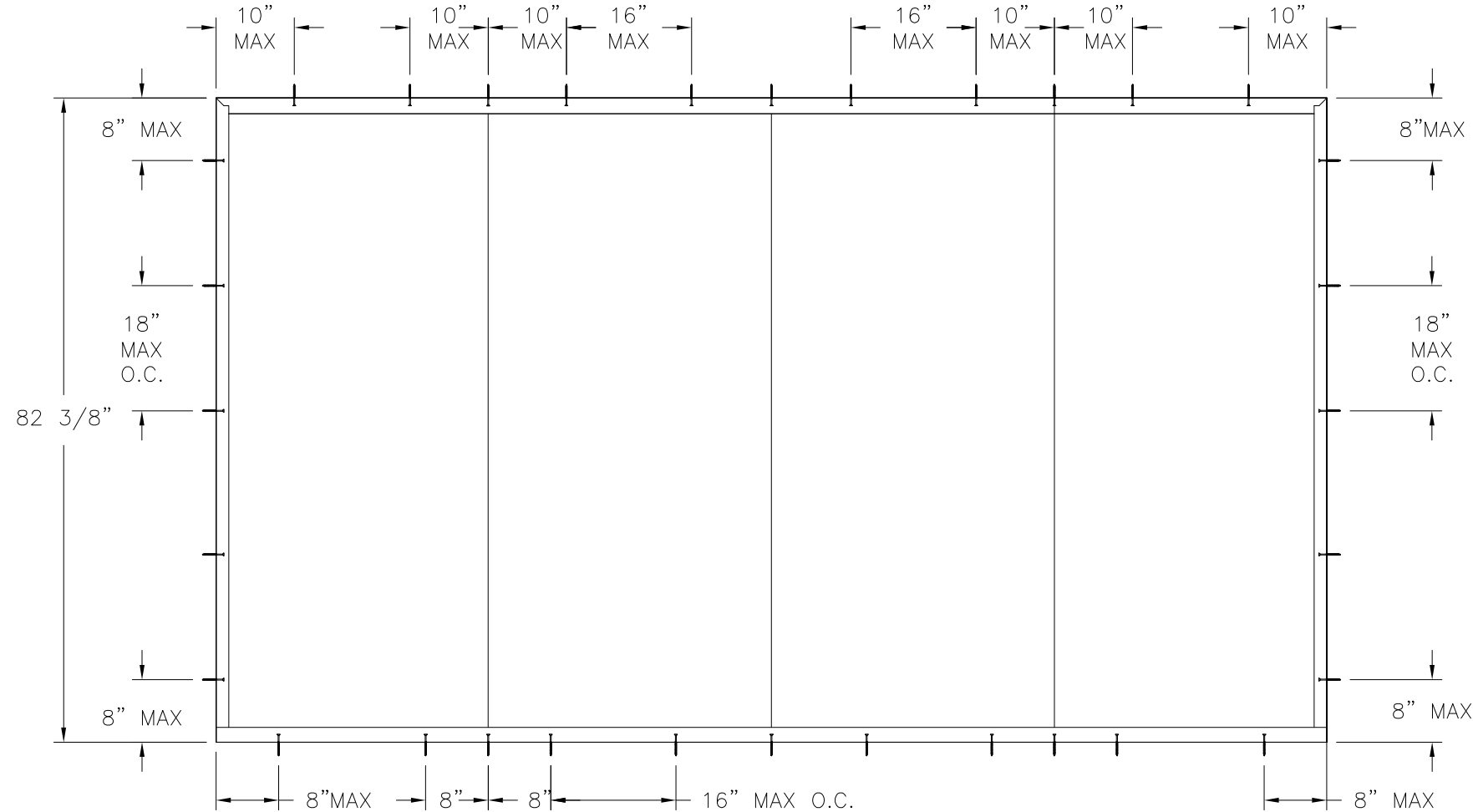
SIGNED: 07/15/2020

<b>NAN YA PLASTICS CORP. USA</b> 8989 NORTH LOOP EAST HOUSTON, TX 77029		
SERIES SPLS GLIDING PATIO DOOR 120611 NON-IMPACT ADDITIONAL CONFIGURATIONS AND HARDWARE		
DRAWN: A.R.	DWG NO. 08-03396	REV -
SCALE NTS	DATE 04/11/19	SHEET 3 OF 8
L. ROBERTO LOMAS P.E. 1432 WOODFORD RD LEWISVILLE, NC 27023 434-688-0609 rllomas@rlomaspe.com		

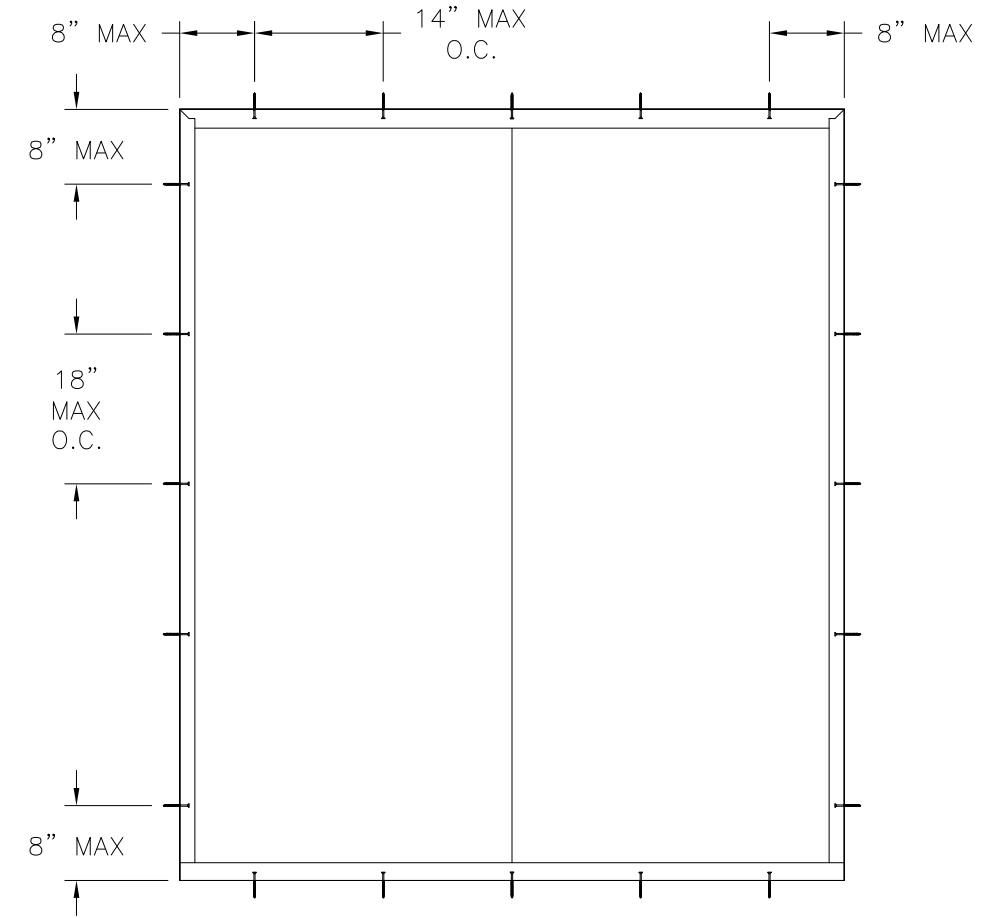


Luis R. Lomas P.E.  
TX No.: 101889

REVISIONS			
REV	DESCRIPTION	DATE	APPROVED



**ANCHORING LAYOUT FOR DOUBLE W/SIDELITES**  
EXTERIOR VIEW



**ANCHORING LAYOUT FOR SINGLE W/SIDELITE**  
EXTERIOR VIEW

SIGNED: 07/15/2020

NAN YA PLASTICS CORP. USA  
8989 NORTH LOOP EAST  
HOUSTON, TX 77029

SERIES SPLS GLIDING PATIO DOOR  
120611 NON-IMPACT  
ANCHORING LAYOUTS

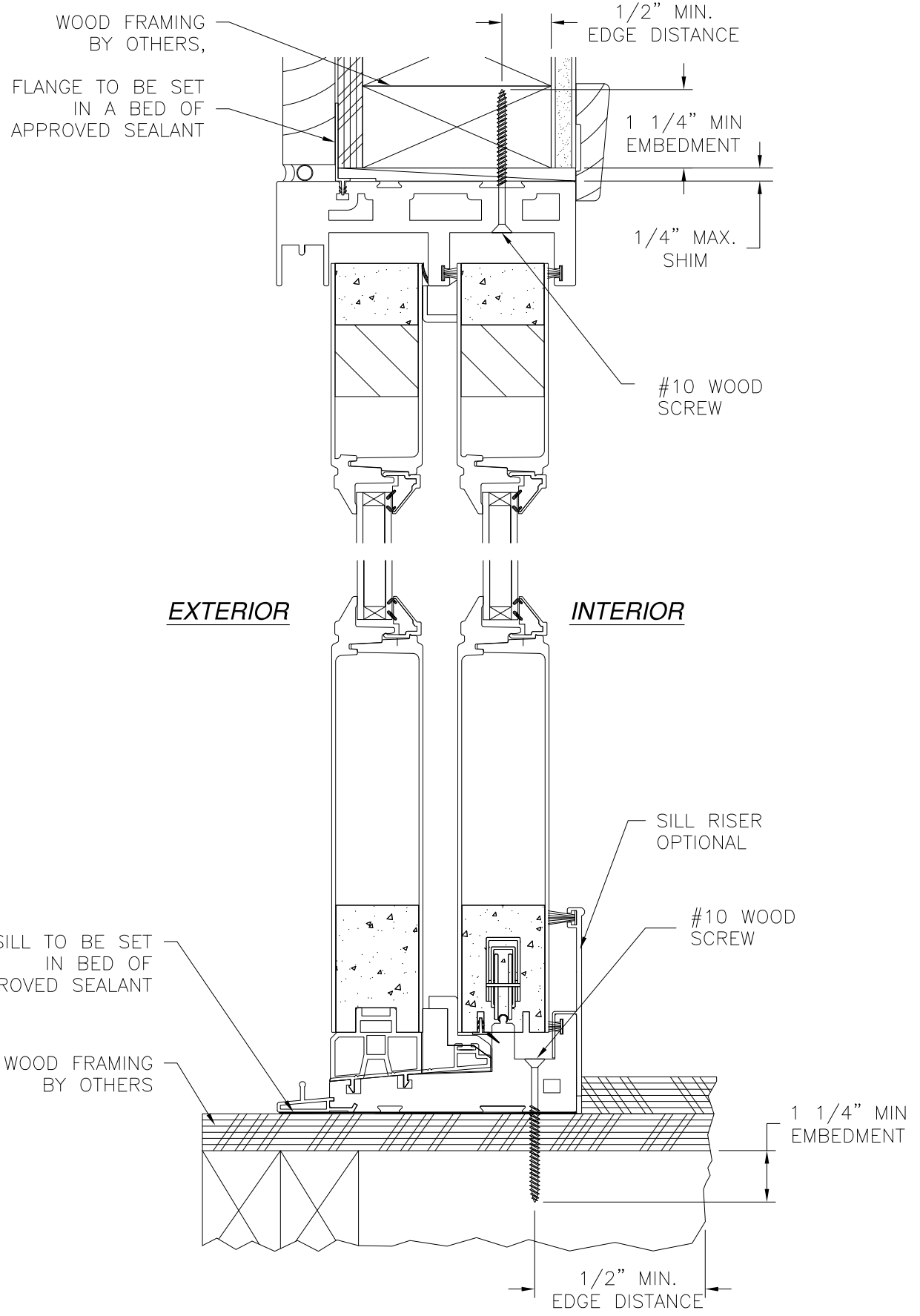
DRAWN: A.R.	DWG NO. 08-03396	REV -
SCALE NTS	DATE 04/11/19	SHEET 4 OF 8

L. ROBERTO LOMAS P.E.  
1432 WOODFORD RD LEWISVILLE, NC 27023  
434-688-0609 rllomas@rlomaspe.com

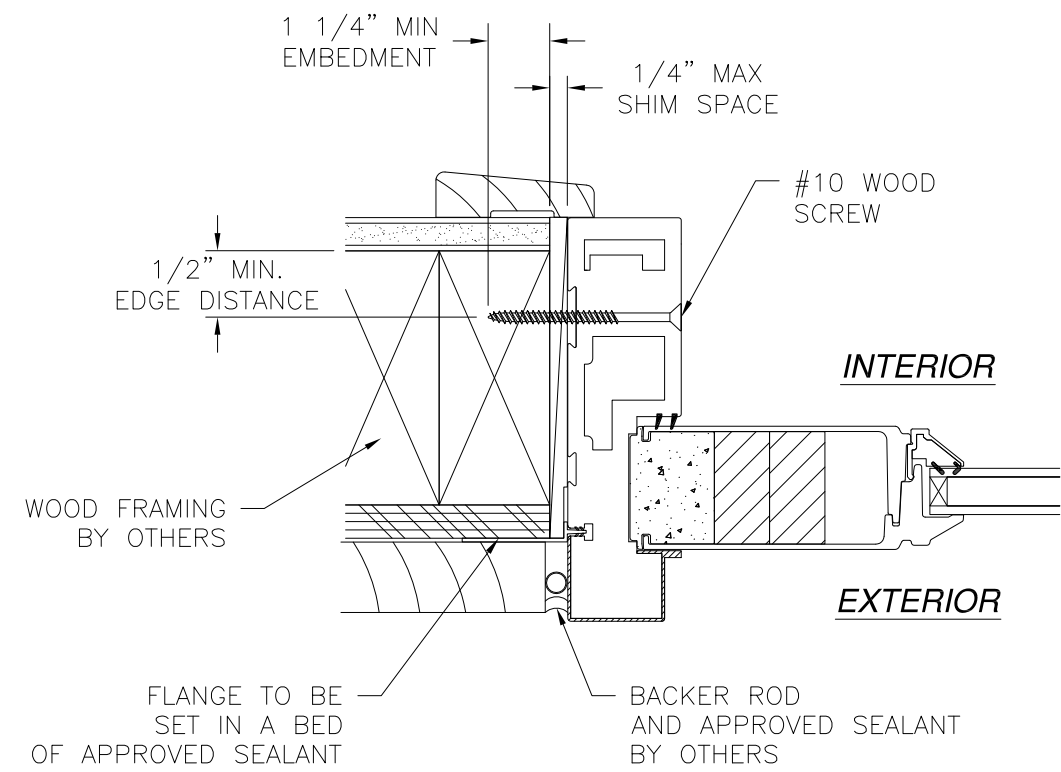


Luis R. Lomas P.E.  
TX No.: 101889

REVISIONS			
REV	DESCRIPTION	DATE	APPROVED



**VERTICAL CROSS SECTION**  
 DOOR SHOWN, SIDELITE SIMILAR  
 2X BUCK/WOOD FRAMING INSTALLATION



**HORIZONTAL CROSS SECTION**  
 2X BUCK/WOOD FRAMING INSTALLATION

- NOTES:**
1. INTERIOR AND EXTERIOR FINISHES, BY OTHERS, NOT SHOWN FOR CLARITY.
  2. PERIMETER AND JOINT SEALANT BY OTHERS TO BE DESIGNED IN ACCORDANCE WITH ASTM E2112

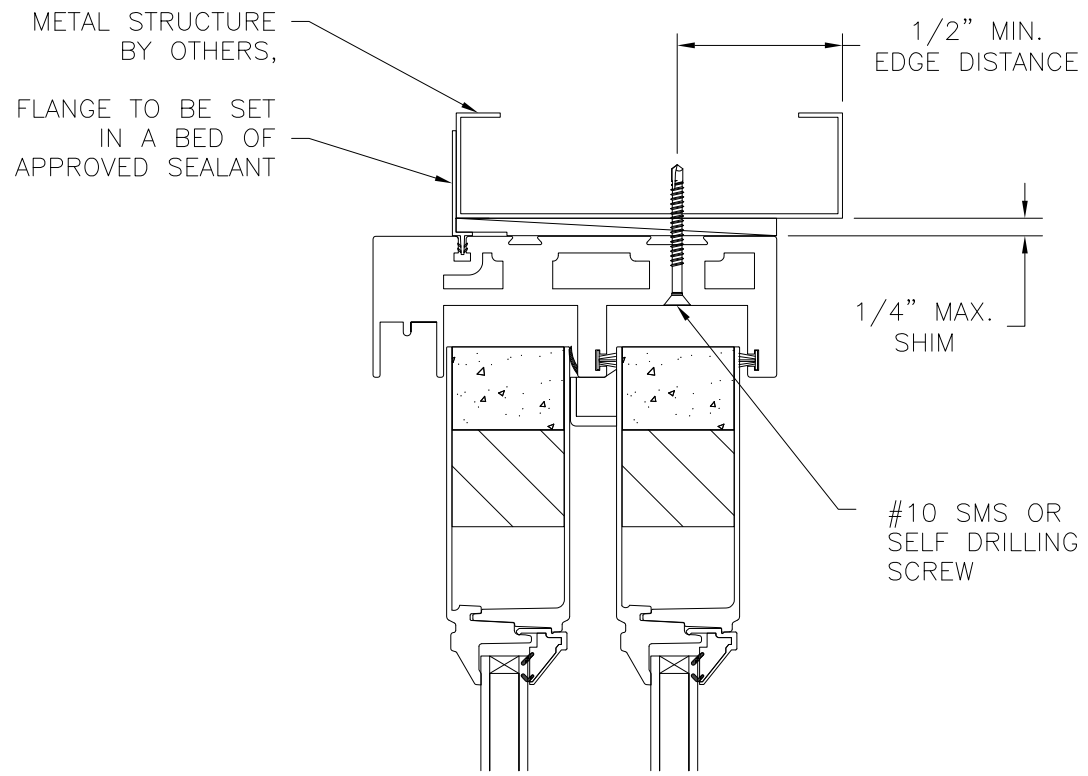
SIGNED: 07/15/2020

NAN YA PLASTICS CORP. USA 8989 NORTH LOOP EAST HOUSTON, TX 77029		
SERIES SPLS GLIDING PATIO DOOR 120611 NON-IMPACT INSTALLATION DETAILS		
DRAWN: A.R.	DWG NO. 08-03396	REV -
SCALE NTS	DATE 04/11/19	SHEET 5 OF 8
L. ROBERTO LOMAS P.E. 1432 WOODFORD RD LEWISVILLE, NC 27023 434-688-0609 rllomas@rlomaspe.com		

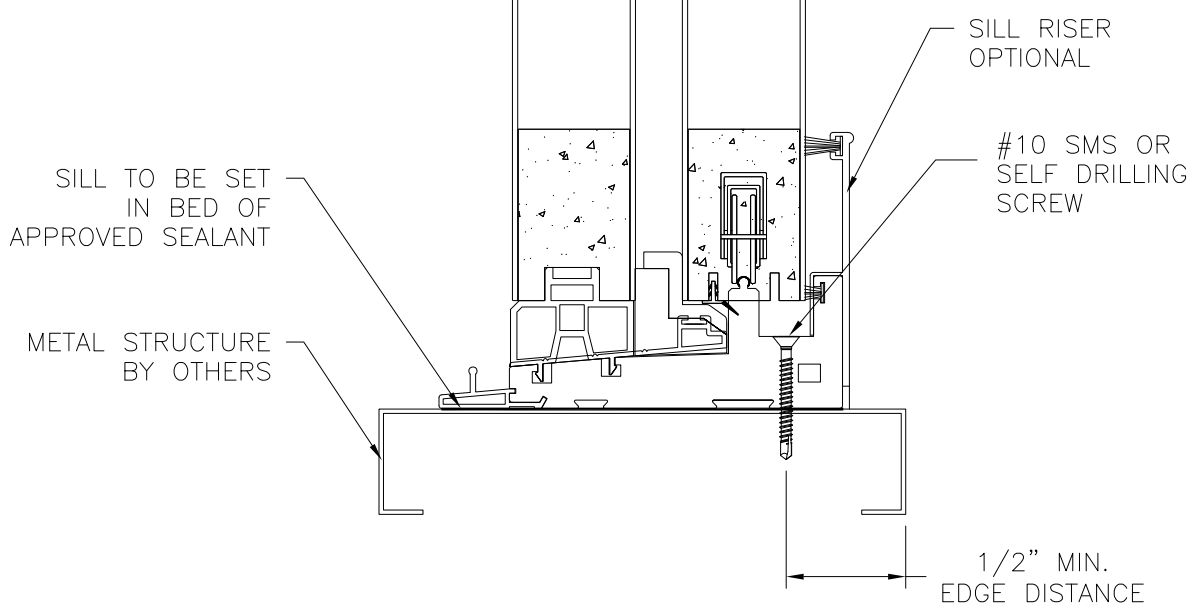


Luis R. Lomas P.E.  
 TX No.: 101889

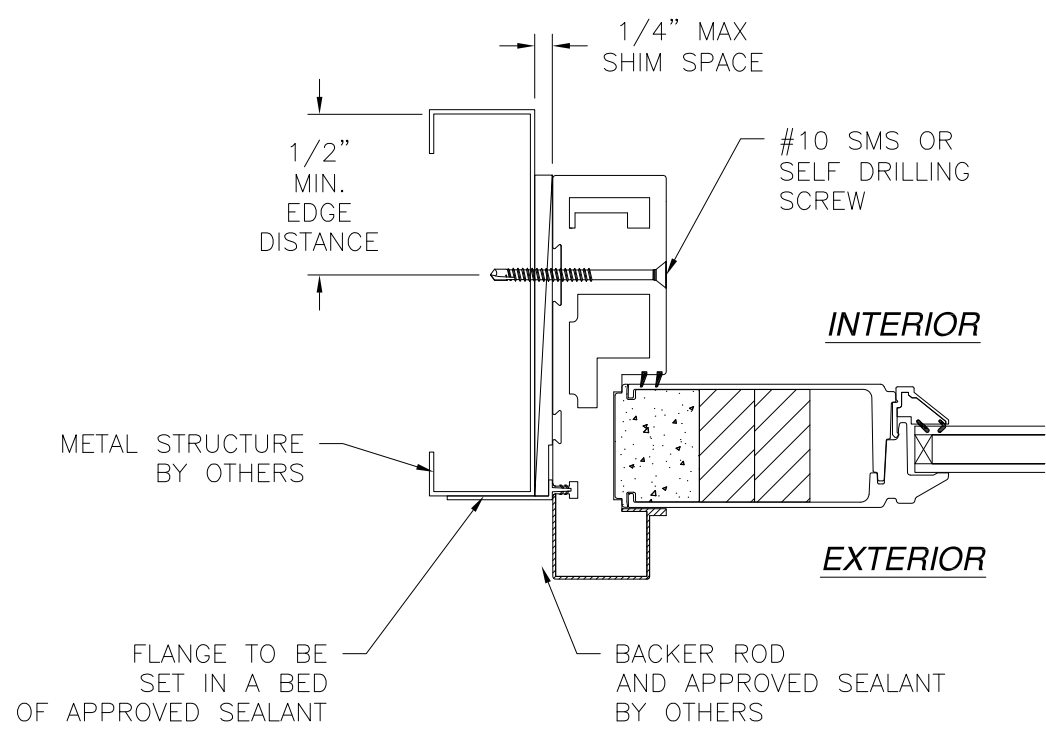
REVISIONS			
REV	DESCRIPTION	DATE	APPROVED



EXTERIOR                      INTERIOR



**VERTICAL CROSS SECTION**  
 DOOR SHOWN, SIDELITE SIMILAR  
 METAL STRUCTURE INSTALLATION



**HORIZONTAL CROSS SECTION**  
 METAL STRUCTURE INSTALLATION

- NOTES:**
1. INTERIOR AND EXTERIOR FINISHES, BY OTHERS, NOT SHOWN FOR CLARITY.
  2. PERIMETER AND JOINT SEALANT BY OTHERS TO BE DESIGNED IN ACCORDANCE WITH ASTM E2112

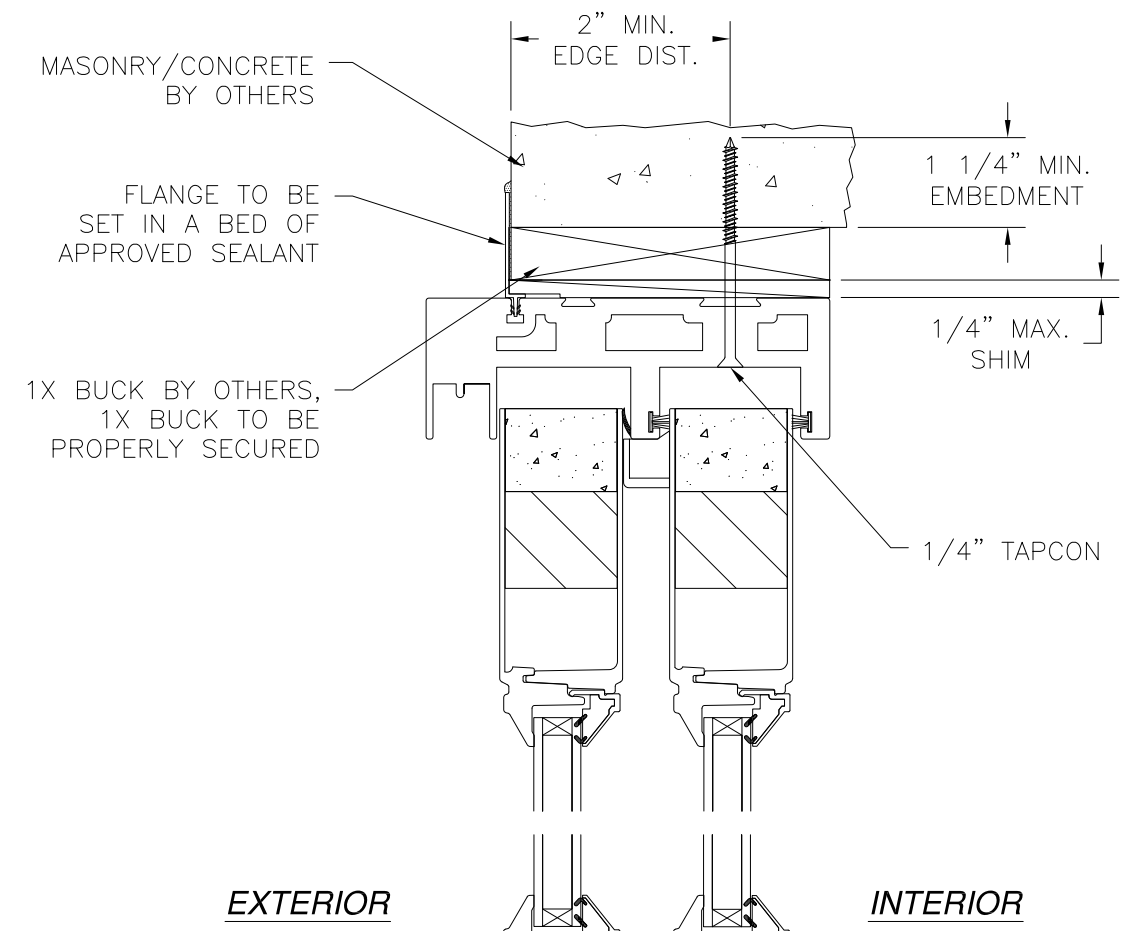
SIGNED: 07/15/2020

NAN YA PLASTICS CORP. USA 8989 NORTH LOOP EAST HOUSTON, TX 77029		
SERIES SPLS GLIDING PATIO DOOR 120611 NON-IMPACT INSTALLATION DETAILS		
DRAWN: A.R.	DWG NO. 08-03396	REV -
SCALE NTS	DATE 04/11/19	SHEET 6 OF 8
L. ROBERTO LOMAS P.E. 1432 WOODFORD RD LEWISVILLE, NC 27023 434-688-0609 rllomas@lrlomaspe.com		



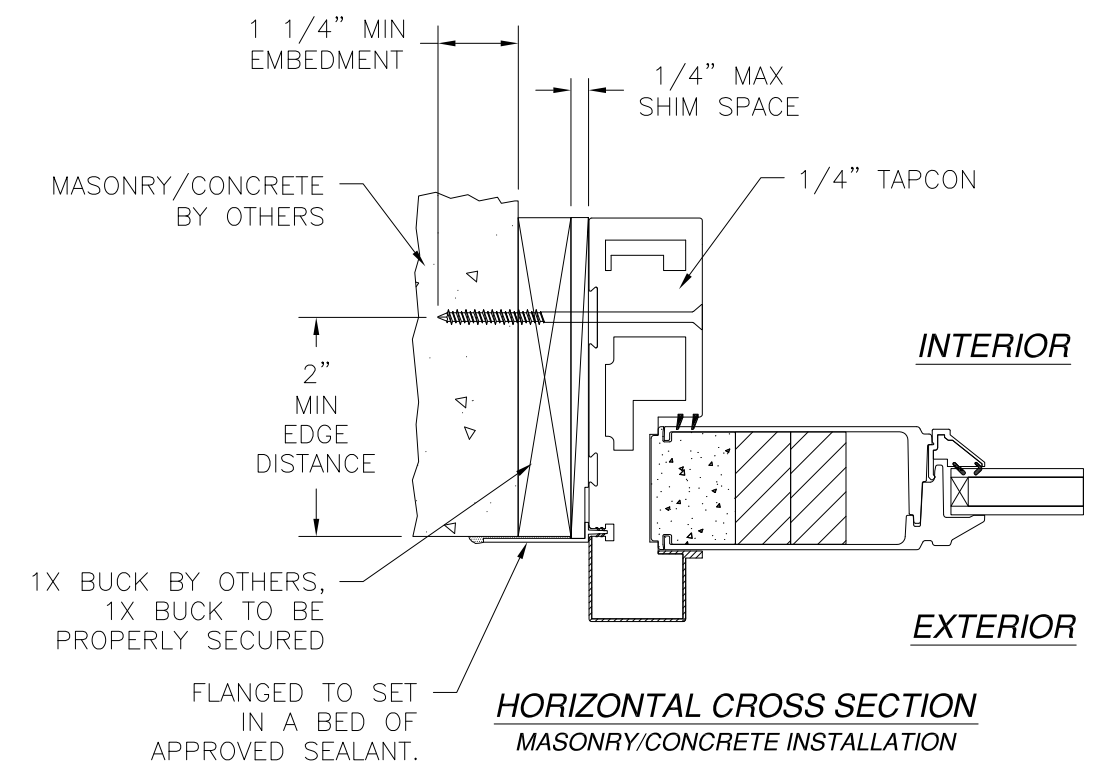
Luis R. Lomas P.E.  
 TX No.: 101889

REVISIONS			
REV	DESCRIPTION	DATE	APPROVED



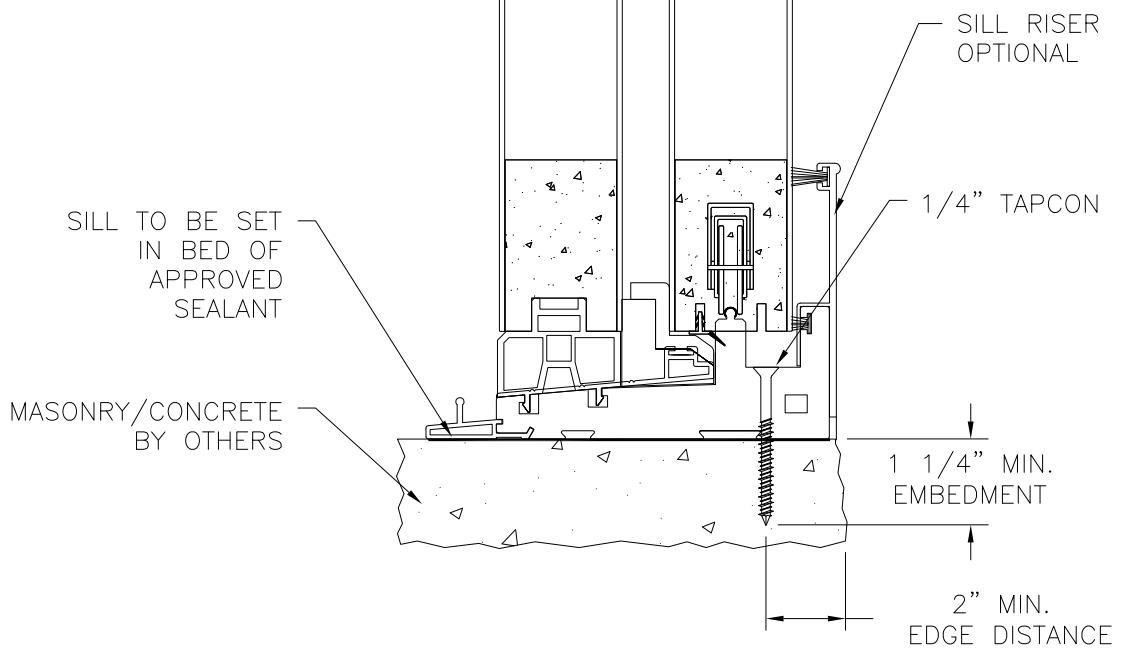
EXTERIOR

INTERIOR



**HORIZONTAL CROSS SECTION**  
MASONRY/CONCRETE INSTALLATION

- NOTES:**
1. INTERIOR AND EXTERIOR FINISHES, BY OTHERS, NOT SHOWN FOR CLARITY.
  2. PERIMETER AND JOINT SEALANT BY OTHERS TO BE DESIGNED IN ACCORDANCE WITH ASTM E2112



**VERTICAL CROSS SECTION**  
MASONRY/CONCRETE INSTALLATION  
DOOR SHOWN SIDELITE SIMILAR

SIGNED: 07/15/2020

NAN YA PLASTICS CORP. USA  
8989 NORTH LOOP EAST  
HOUSTON, TX 77029

SERIES SPLS GLIDING PATIO DOOR  
120611 NON-IMPACT  
INSTALLATION DETAILS

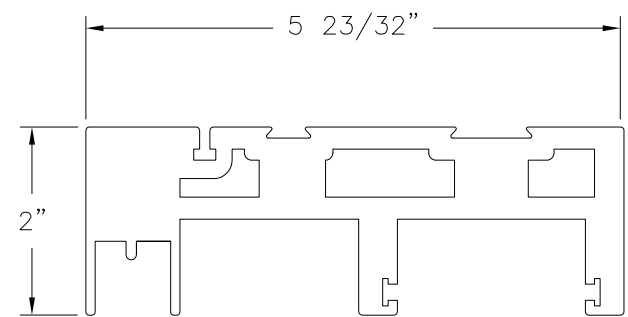
DRAWN: A.R.	DWG NO. 08-03396	REV -
SCALE NTS	DATE 04/11/19	SHEET 7 OF 8

L. ROBERTO LOMAS P.E.  
1432 WOODFORD RD LEWISVILLE, NC 27023  
434-688-0609 rllomas@rlomaspe.com

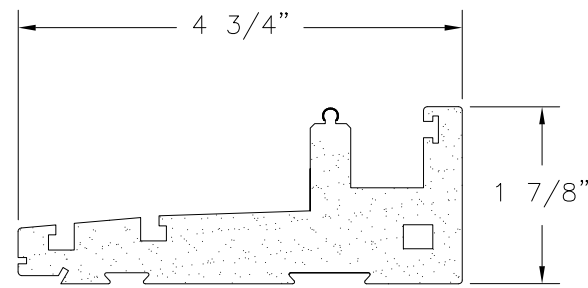


Luis R. Lomas P.E.  
TX No.: 101889

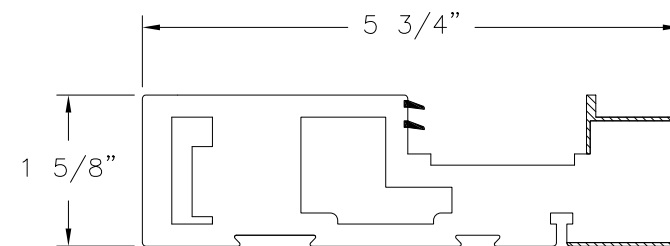
REVISIONS			
REV	DESCRIPTION	DATE	APPROVED



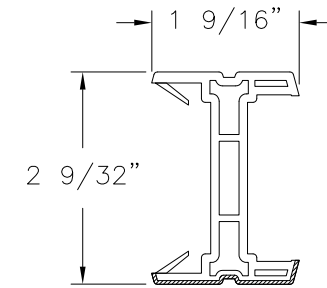
**HEAD FRAME**  
FOAM PVC CO-EX



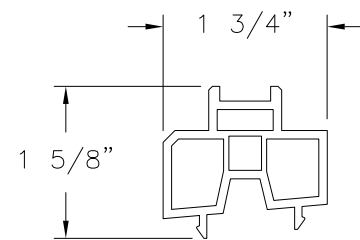
**SILL FRAME**  
FOAM PVC



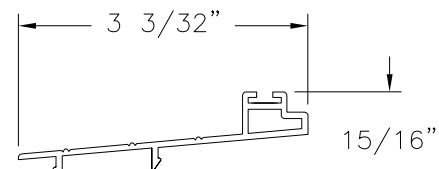
**JAMB FRAME**  
FOAM PVC



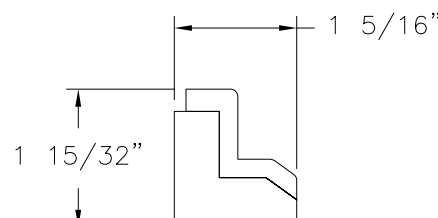
**ASTRAGAL STRIP**  
RIGID PVC



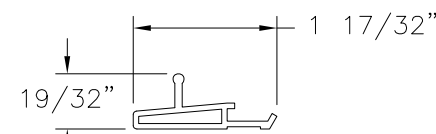
**STATIONARY BASE**  
RIGID PVC



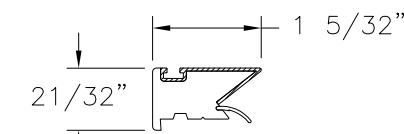
**SILL BOARD**  
ALUMINUM



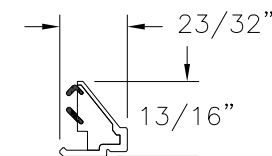
**SILL WIND STOPPER**  
EPDM FOAM



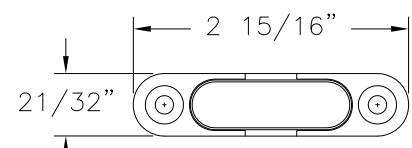
**SCREEN TRACK**  
ALUMINUM



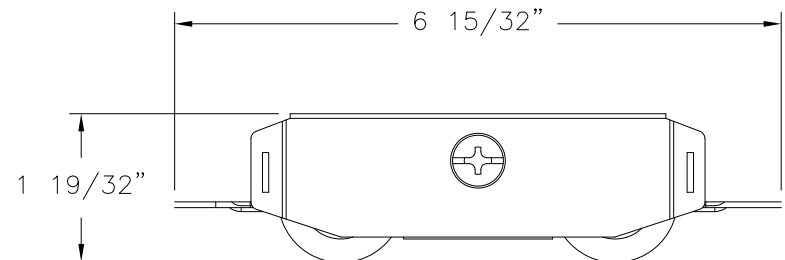
**INTERLOCK STRIP**  
FOAM PVC



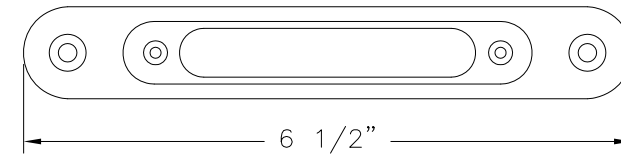
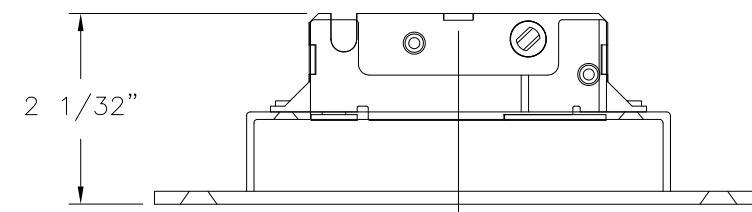
**GLAZING BEAD**  
PVC



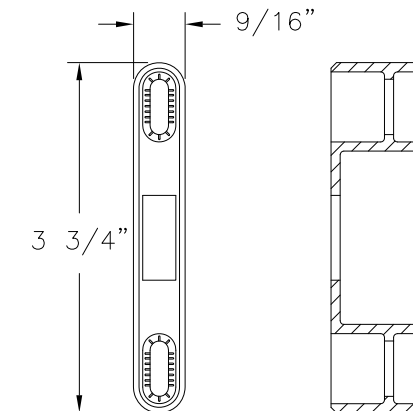
**ANTI-LIFT BLOCK**  
DIE CASTING



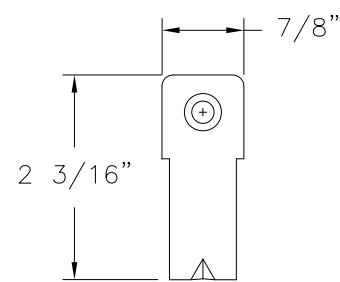
**TANDEM ROLLER**  
STAINLESS STEEL



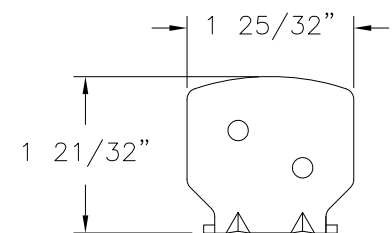
**SINGLE LOCK**  
STAINLESS STEEL



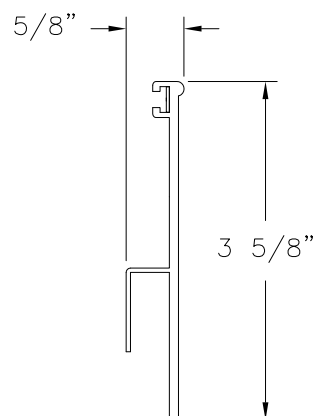
**LOCK KEEPER**  
DIE CASTING



**BOTTOM BRACKET**  
STAINLESS STEEL



**TOP BRACKET**  
STAINLESS STEEL



**SILL RISER**  
ALUMINUM

SIGNED: 07/15/2020

NAN YA PLASTICS CORP. USA  
8989 NORTH LOOP EAST  
HOUSTON, TX 77029

SERIES SPLS GLIDING PATIO DOOR  
120611 NON-IMPACT  
COMPONENTS

DRAWN: A.R.	DWG NO. 08-03396	REV -
SCALE NTS	DATE 04/11/19	SHEET 8 OF 8

L. ROBERTO LOMAS P.E.  
1432 WOODFORD RD LEWISVILLE, NC 27023  
434-688-0609 rllomas@rlomaspe.com



Luis R. Lomas P.E.  
TX No.: 101889