

REVISIONS			
REV	DESCRIPTION	DATE	APPROVED
A	ADDED HARDWARE DETAILS	03/18/14	R.L.
B	UPDATED COMPONENTS & DETAILS	06/25/18	R.L.

NOTES:

1. THE PRODUCT SHOWN HEREIN IS DESIGNED AND MANUFACTURED TO COMPLY WITH REQUIREMENTS OF THE 2006 IBC AND 2006 IRC WITH STATE IF TEXAS MODIFICATIONS AND WITH THE 2015 IBC, 2015 IRC, 2018 IBC AND 2018 IRC.
2. WOOD FRAMING AND MASONRY OPENING TO BE DESIGNED AND ANCHORED TO PROPERLY TRANSFER ALL LOADS TO STRUCTURE. FRAMING AND MASONRY OPENING IS THE RESPONSIBILITY OF THE ARCHITECT OR ENGINEER OF RECORD.
3. 1X BUCK OVER MASONRY/CONCRETE IS OPTIONAL.
4. WHERE SHIM OR BUCK THICKNESS IS LESS THAN 1-1/2" WINDOW UNITS MUST BE ANCHORED THROUGH THE FRAME IN ACCORDANCE WITH MANUFACTURER'S PUBLISHED INSTALLATION INSTRUCTIONS. ANCHORS SHALL BE SECURELY FASTENED DIRECTLY INTO MASONRY, CONCRETE OR OTHER STRUCTURAL SUBSTRATE MATERIAL.
5. WHERE WOOD BUCK THICKNESS IS 1-1/2" OR GREATER, BUCK SHALL BE SECURELY FASTENED TO MASONRY, CONCRETE OR OTHER STRUCTURAL SUBSTRATE. WINDOW UNITS MAY BE ANCHORED THROUGH FRAME TO SECURED WOOD BUCK IN ACCORDANCE WITH MANUFACTURER'S PUBLISHED INSTALLATION INSTRUCTIONS.
6. WHERE 1X BUCK IS NOT USED DISSIMILAR MATERIALS MUST BE SEPARATED WITH APPROVED COATING OR MEMBRANE. SELECTION OF COATING OR MEMBRANE IS THE RESPONSIBILITY OF THE ARCHITECT OR ENGINEER OF RECORD.
7. BUCKS SHALL EXTEND BEYOND WINDOW INTERIOR FACE SO THAT FULL FRAME SUPPORT IS PROVIDED.
8. SHIM AS REQUIRED AT EACH ANCHOR LOCATION WITH LOAD BEARING SHIM. SHIM WHERE SPACE OF 1/16" OR GREATER OCCURS. MAXIMUM ALLOWABLE SHIM STACK TO BE 1/4".
9. SHIMS SHALL BE LOCATED, APPLIED AND MADE FROM MATERIALS AND THICKNESS CAPABLE OF SUSTAINING APPLICABLE LOADS.
10. WIND LOAD DURATION FACTOR Cd=1.6 WAS USED FOR WOOD ANCHOR CALCULATIONS.
11. FRAME JAMB AND HEAD MATERIAL: CO-EXTRUDED PVC FOAM 1 1/2" THICK.
12. FRAME SILL MATERIAL: CO-EXTRUDED PVC FOAM 2" THICK WITH ALUMINUM CLADDING .063" THICK.
13. DOOR PANEL AND SIDELITE MATERIAL: .075" THICK FIBERGLASS SKIN WITH PVC FOAM AND BOTTOM RAILS, AND PVC FOAM VERTICAL STILES WITH PINE REINFORCEMENTS AND POLYURETHANE FOAM CORE.
14. UNITS MUST BE GLAZED PER ASTM E1300-04/09, SEE SHEET 2 FOR GLASS DETAILS.
15. APPROVED IMPACT PROTECTIVE SYSTEM IS NOT REQUIRED FOR THIS PRODUCT IN WIND BORNE DEBRIS REGIONS.

16. FOR ANCHORING INTO WOOD FRAMING OR 2X BUCK USE #10 WOOD SCREWS WITH SUFFICIENT LENGTH TO ACHIEVE A 1 1/4" MINIMUM EMBEDMENT INTO SUBSTRATE. LOCATE ANCHORS AS SHOWN IN ELEVATIONS AND INSTALLATION DETAILS.
17. FOR ANCHORING INTO MASONRY/CONCRETE USE 1/4" TAPCONS WITH SUFFICIENT LENGTH TO ACHIEVE A 1 1/4" MINIMUM EMBEDMENT INTO SUBSTRATE WITH 2" MINIMUM EDGE DISTANCE. LOCATE ANCHORS AS SHOWN IN ELEVATIONS AND INSTALLATION DETAILS.
18. FOR ANCHORING INTO METAL STRUCTURE USE #10 SMS OR SELF DRILLING SCREWS WITH SUFFICIENT LENGTH TO ACHIEVE 3 THREADS MINIMUM BEYOND STRUCTURE INTERIOR WALL. LOCATE ANCHORS AS SHOWN IN ELEVATIONS AND INSTALLATION DETAILS.
19. ALL FASTENERS TO BE CORROSION RESISTANT.
20. INSTALLATION ANCHORS SHALL BE INSTALLED IN ACCORDANCE WITH ANCHOR MANUFACTURER'S INSTALLATION INSTRUCTIONS AND ANCHORS SHALL NOT BE USED IN SUBSTRATES WITH STRENGTHS LESS THAN THE MINIMUM STRENGTH SPECIFIED BELOW:
  - A. WOOD - MINIMUM SPECIFIC GRAVITY OF G=0.42
  - B. CONCRETE - MINIMUM COMPRESSIVE STRENGTH OF 3,192 PSI.
  - C. MASONRY - STRENGTH CONFORMANCE TO ASTM C-90, GRADE N, TYPE 1 (OR GREATER).
  - D. METAL STRUCTURE: STEEL 18GA, 33KSI OR ALUMINUM 6063-T5 .125" THICK MINIMUM
21. APPROVED CONFIGURATIONS: O, X, OX, XO, XX, OXO, XXO, OXX AND OXXO, SEE SHEETS 2 AND 3.

SIGNED: 02/06/2020

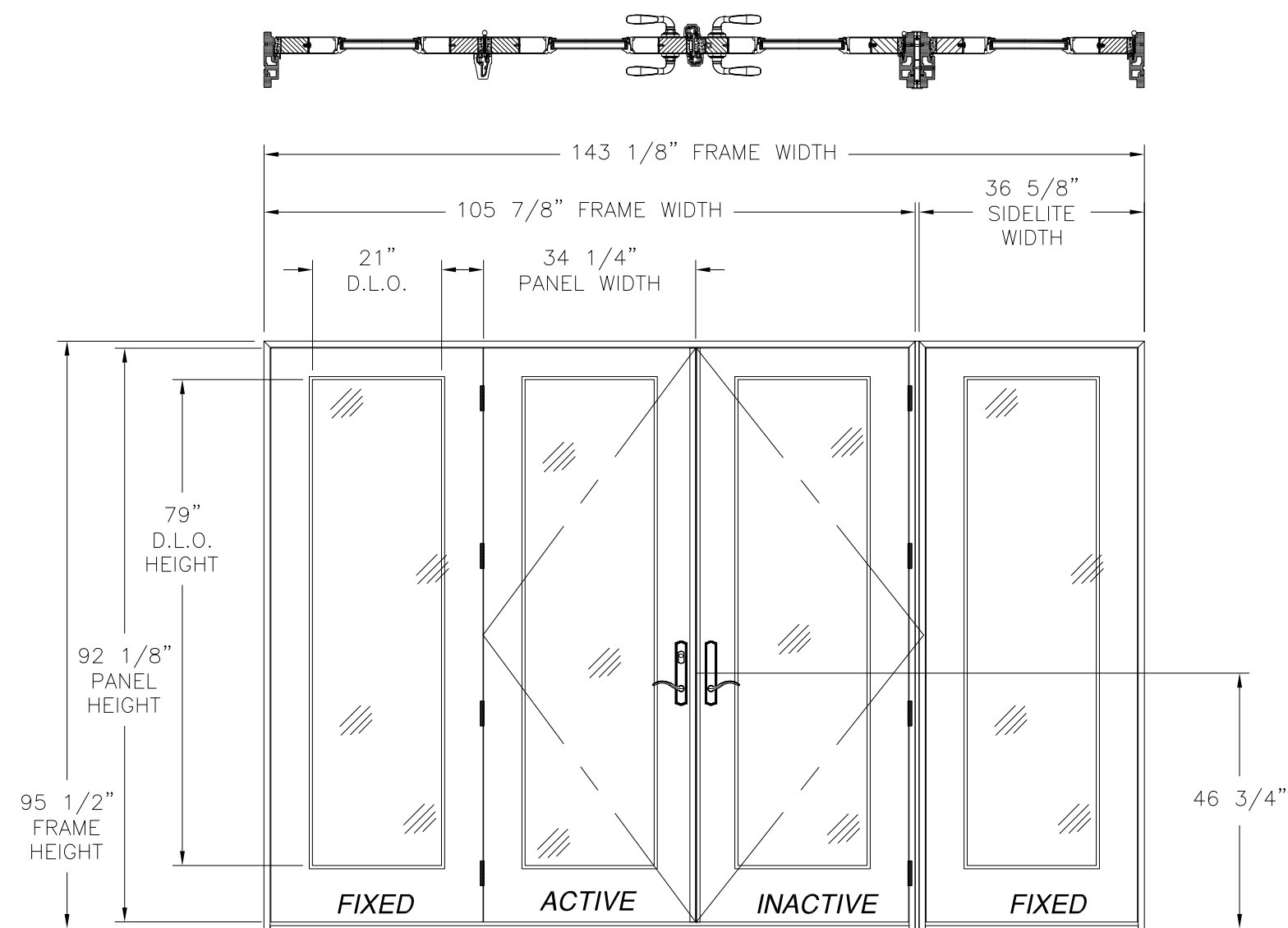
TABLE OF CONTENTS	
SHEET NO.	DESCRIPTION
1	NOTES
2	ELEVATION, HARDWARE AND GLAZING DETAIL
3	ADDITIONAL CONFIGURATIONS
4 - 5	ANCHORING LAYOUTS
6 - 11	INSTALLATION DETAILS
12	COMPONENTS
13	HARDWARE DETAILS

<b>NAN YA PLASTICS CORP. USA</b> 8989 NORTH LOOP EAST HOUSTON, TX 77029		
SERIES SLPS IN-SWING PATIO DOOR WITH INTEGRAL AND FIELD MULLION NOTES		
DRAWN: L.M.P.	DWG NO. 08-01536	REV B
SCALE NTS	DATE 04/09/12	SHEET 1 OF 13
L. ROBERTO LOMAS P.E. 1432 WOODFORD RD LEWISVILLE, NC 27023 434-688-0609 rllomas@lrlomaspe.com		

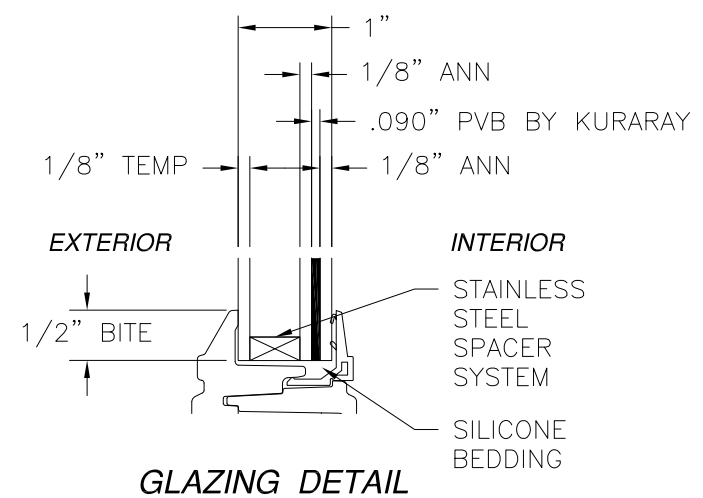


Luis R. Lomas P.E.  
TX No.: 101889

REVISIONS			
REV	DESCRIPTION	DATE	APPROVED
A	ADDED HARDWARE DETAILS	03/18/14	R.L.
B	UPDATED COMPONENTS & DETAILS	06/25/18	R.L.



**SERIES SLPS IN-SWING PATIO DOOR  
DOUBLE DOOR W/ SIDELITES  
EXTERIOR VIEW**



DESIGN PRESSURE RATING	IMPACT RATING
<b>±50.0PSF</b>	LARGE AND SMALL MISSILE IMPACT

MISSILE LEVEL D, WIND ZONE 4

(4) PANELS SHOWN, UNLIMITED NUMBER OF PANELS IN UNLIMITED CONFIGURATIONS ARE APPROVED AS LONG AS INDIVIDUAL PANEL AREA DOES NOT EXCEED 21.91 FT<sup>2</sup>

- NOTES:  
 1. PANEL SIZE: 34 1/4" X 92 1/8"  
 2. D.L.O.: 21" X 79"

**HARDWARE SCHEDULE**

A.	(4) HINGES AT 5 3/4", 31 1/4", 56 3/4" AND 82 1/4" FROM FRAME HEAD
B.	STAINLESS STEEL DRIVE BAR PLATE WITH KEEPERS AT ACTIVE PANEL
C.	ROYAL SERIES HANDLE SETS AT 48 3/4" FROM THE HEAD
D.	MULTI-POINT (3) LOCKING SYSTEM WITH KEEPERS AT PASSIVE PANEL
E.	T-ASTRAGAL AT ACTIVE OPERABLE PANEL (EXTERIOR) AND PASSIVE PANEL (INTERIOR)
F.	ALUMINUM REINFORCEMENT INSIDE T-ASTRAGAL

SIGNED: 02/06/2020

**NAN YA PLASTICS CORP. USA**  
 8989 NORTH LOOP EAST  
 HOUSTON, TX 77029

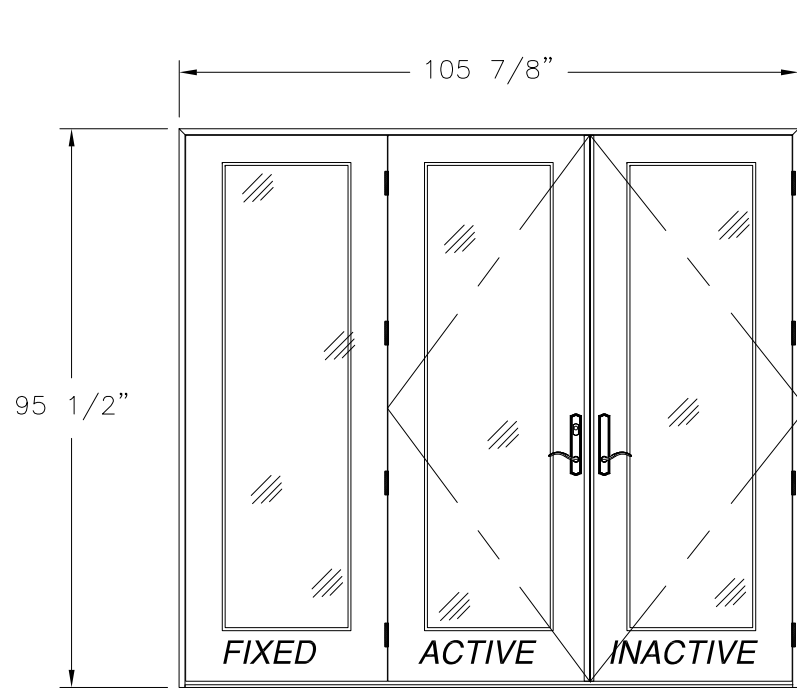
SERIES SLPS IN-SWING PATIO DOOR  
 WITH INTEGRAL AND FIELD MULLION  
 OXXO ELEVATION, HARDWARE & GLAZING DETAIL

DRAWN: L.M.P.	DWG NO. 08-01536	REV B
SCALE NTS	DATE 04/09/12	SHEET 2 OF 13

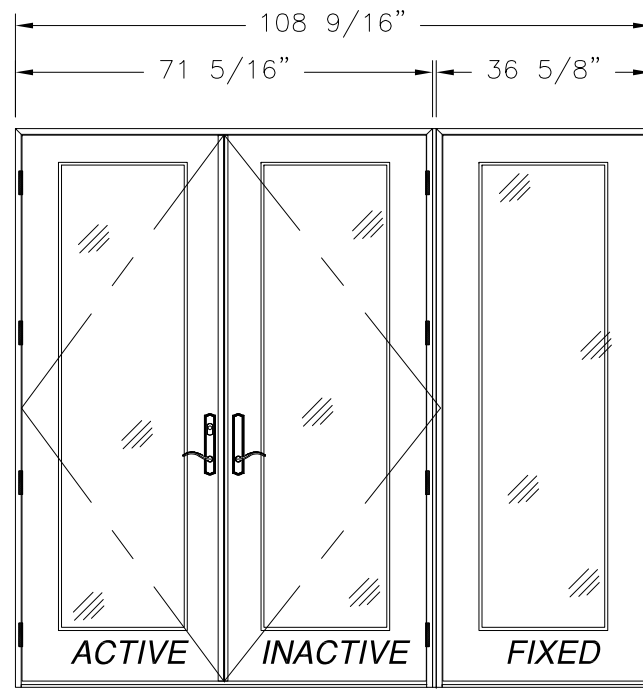
L. ROBERTO LOMAS P.E.  
 1432 WOODFORD RD LEWISVILLE, NC 27023  
 434-688-0609 rllomas@lrlomaspe.com



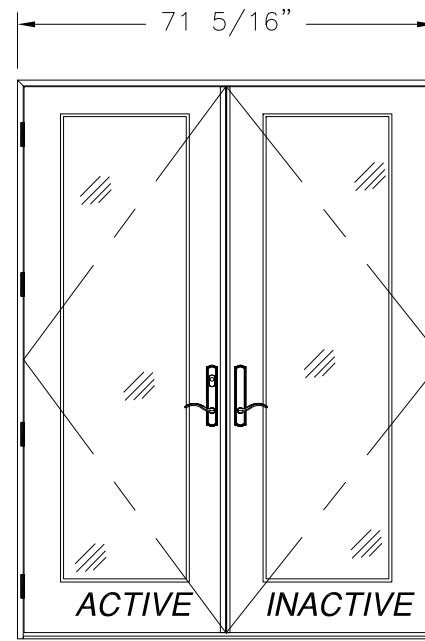
Luis R. Lomas P.E.  
 TX No.: 101889



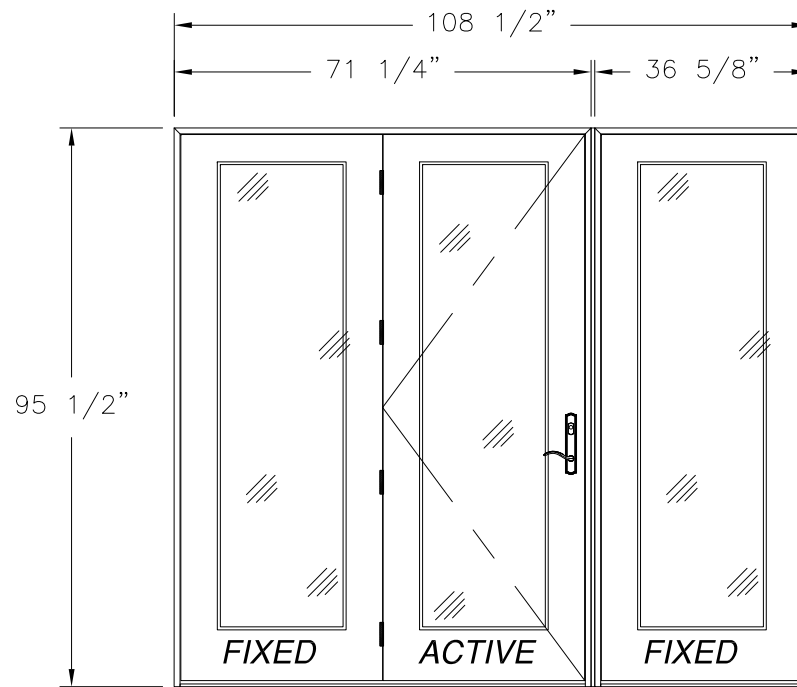
**DOUBLE W/SIDELITE**  
EXTERIOR VIEW



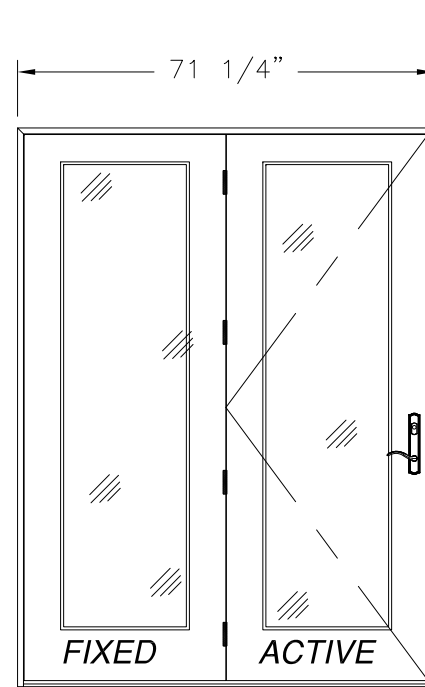
**DOUBLE W/SIDELITE (MULL)**  
EXTERIOR VIEW



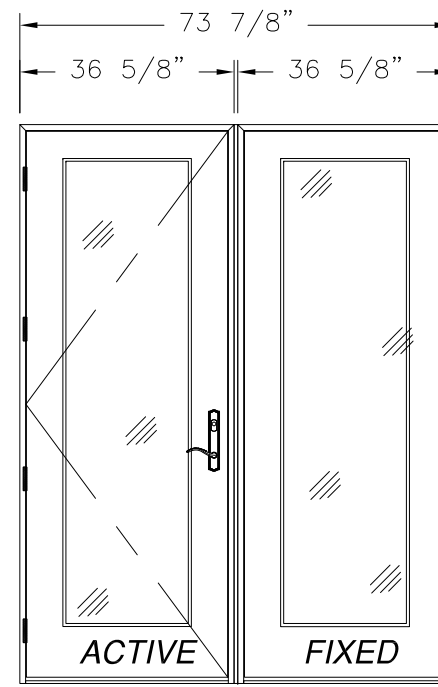
**DOUBLE**  
EXTERIOR VIEW



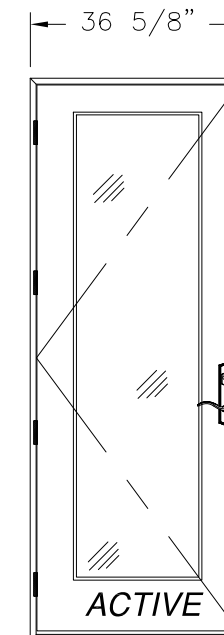
**SINGLE W/SIDELITE (MULL)**  
EXTERIOR VIEW



**SINGLE W/SIDELITE**  
EXTERIOR VIEW



**SINGLE W/SIDELITE (MULL)**  
EXTERIOR VIEW



**SINGLE**  
EXTERIOR VIEW

REVISIONS			
REV	DESCRIPTION	DATE	APPROVED
A	ADDED HARDWARE DETAILS	03/18/14	R.L.
B	UPDATED COMPONENTS & DETAILS	06/25/18	R.L.

NOTE:  
ALL APPROVED CONFIGURATIONS ARE SHOWN AS LEFT  
HAND ACTIVE, RIGHT HAND ACTIVE IS ALSO APPROVED.

SIGNED: 02/06/2020

NAN YA PLASTICS CORP. USA  
8989 NORTH LOOP EAST  
HOUSTON, TX 77029

SERIES SLPS IN-SWING PATIO DOOR  
WITH INTEGRAL AND FIELD MULLION  
ADDITIONAL CONFIGURATIONS

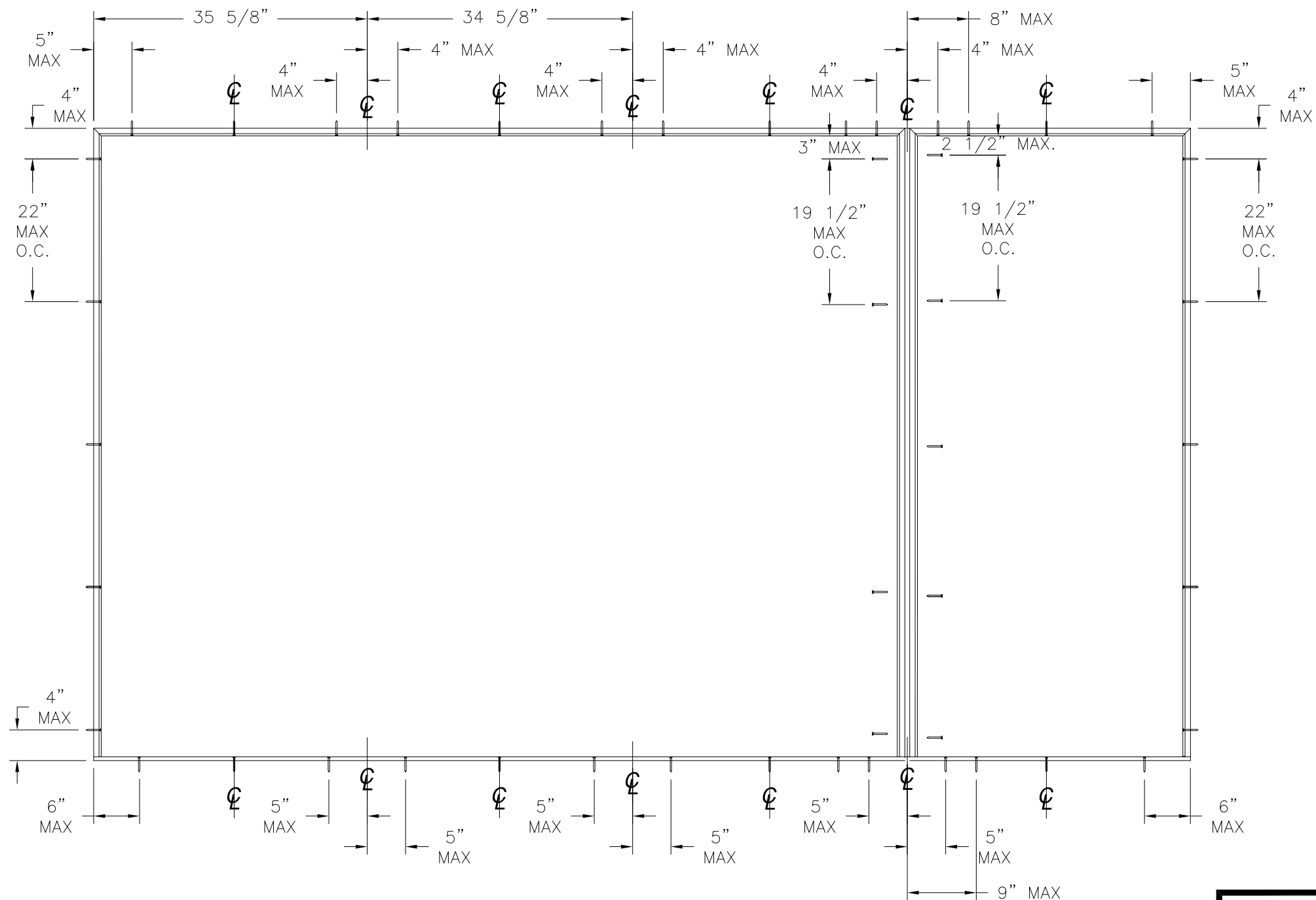
DRAWN: L.M.P.	DWG NO. 08-01536	REV B
SCALE NTS	DATE 04/09/12	SHEET 3 OF 13

L. ROBERTO LOMAS P.E.  
1432 WOODFORD RD LEWISVILLE, NC 27023  
434-688-0609 rllomas@lrlomaspe.com



Luis R. Lomas P.E.  
TX No.: 101889

REVISIONS			
REV	DESCRIPTION	DATE	APPROVED
A	ADDED HARDWARE DETAILS	03/18/14	R.L.
B	UPDATED COMPONENTS & DETAILS	06/25/18	R.L.



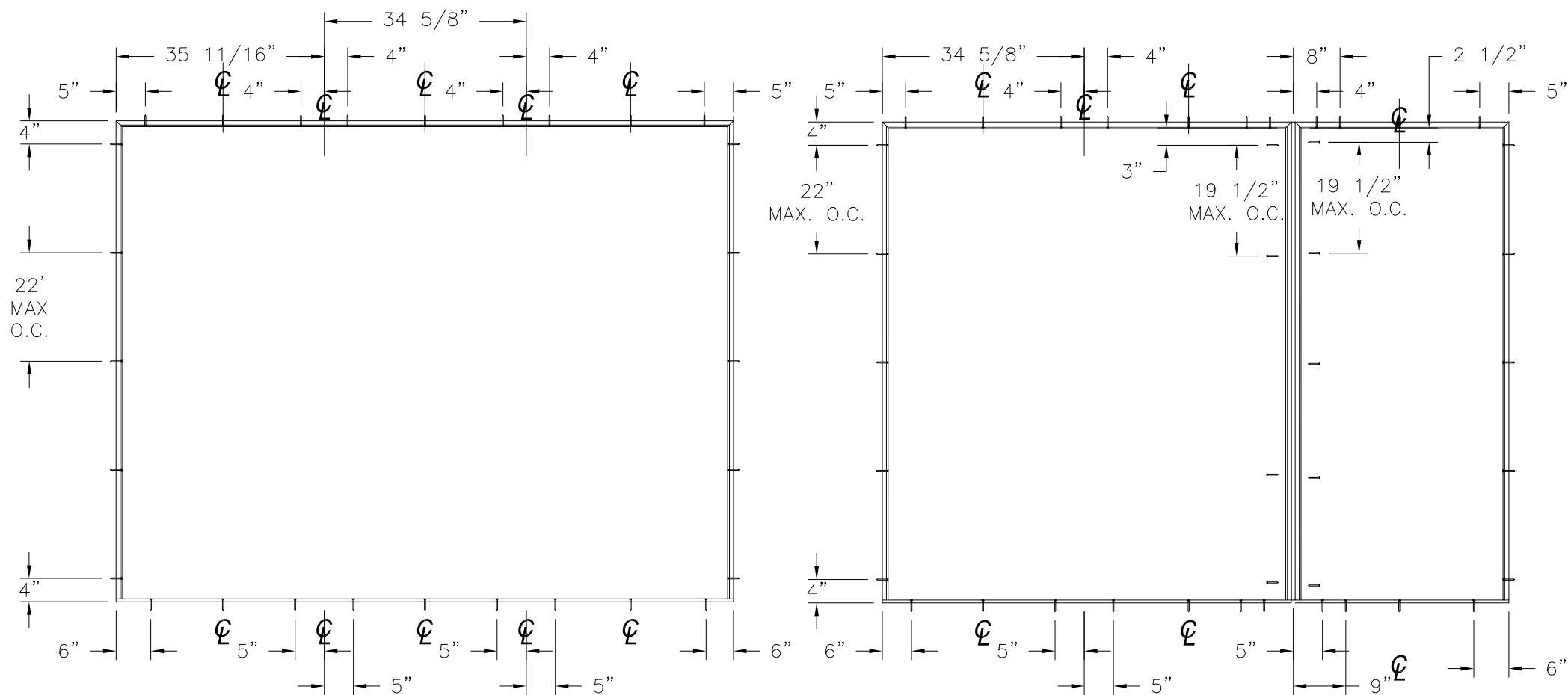
ANCHORING LAYOUT

SIGNED: 02/06/2020

<p>NAN YA PLASTICS CORP. USA          8989 NORTH LOOP EAST          HOUSTON, TX 77029</p>		
<p>SERIES SLPS IN-SWING PATIO DOOR          WITH INTEGRAL AND FIELD MULLION          ANCHORING LAYOUT</p>		
<p>DRAWN: L.M.P.</p>	<p>DWG NO. 08-01536</p>	<p>REV B</p>
<p>SCALE NTS</p>	<p>DATE 04/09/12</p>	<p>SHEET 4 OF 13</p>
<p>L. ROBERTO LOMAS P.E.          1432 WOODFORD RD LEWISVILLE, NC 27023          434-688-0609 rllomas@rlomaspe.com</p>		



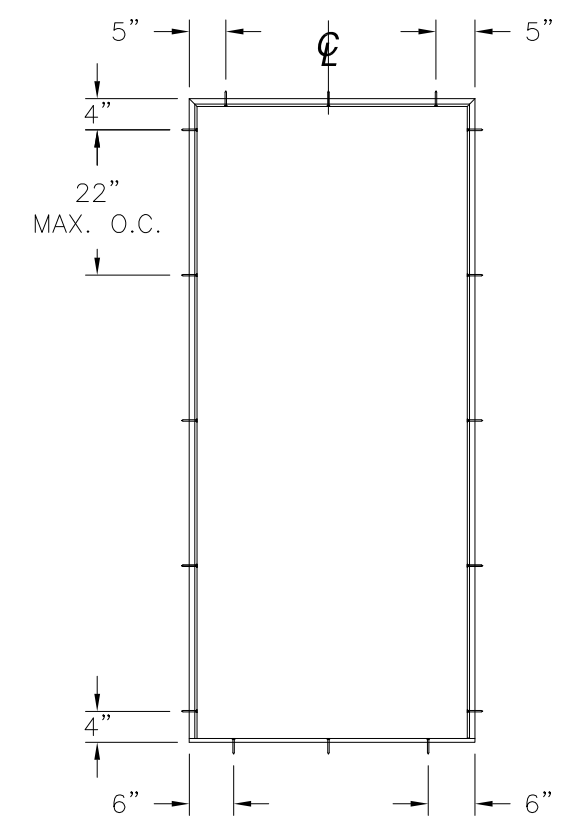
Luis R. Lomas P.E.  
 TX No.: 101889



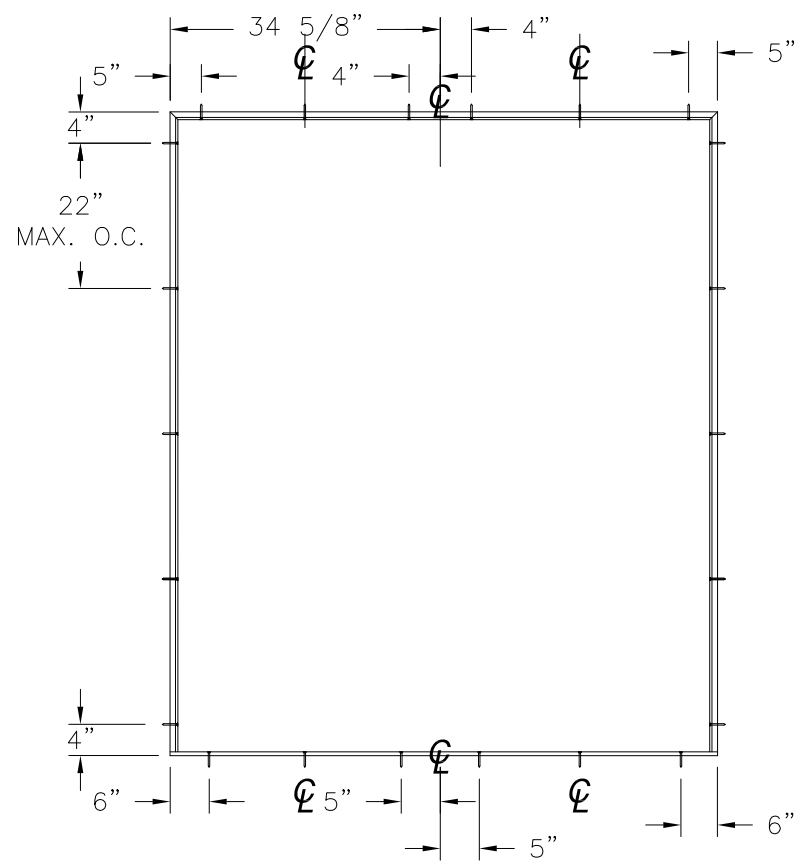
**ANCHORING LAYOUT FOR OXO, XXO AND OXX**

**ANCHORING LAYOUT FOR OXO, XXO AND OXX (MULL)**

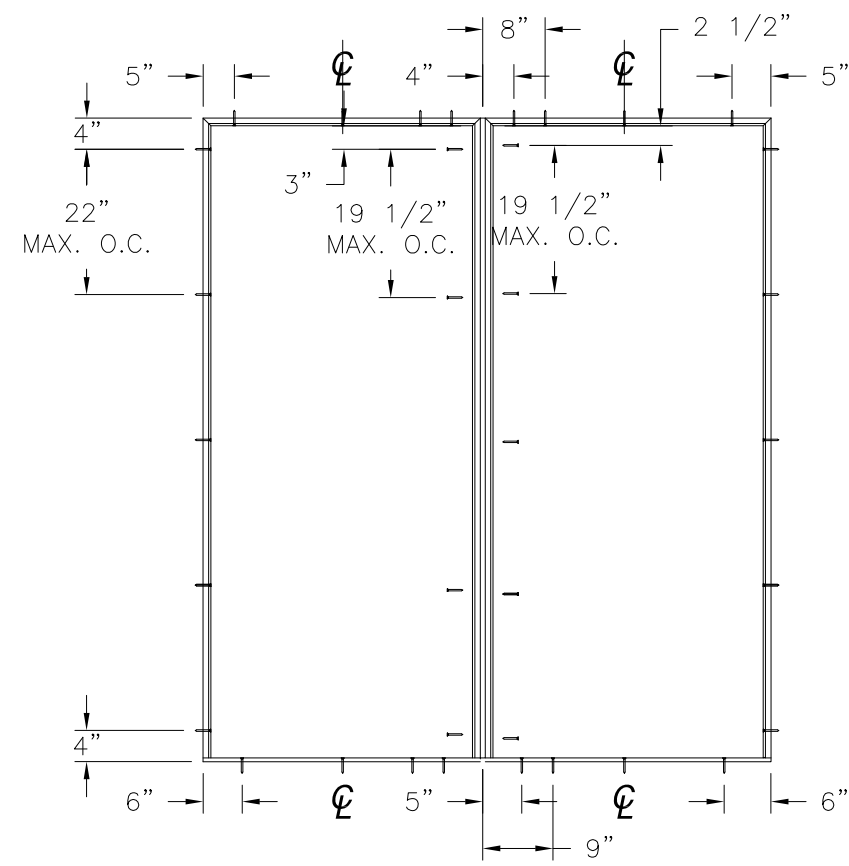
REVISIONS			
REV	DESCRIPTION	DATE	APPROVED
A	ADDED HARDWARE DETAILS	03/18/14	R.L.
B	UPDATED COMPONENTS & DETAILS	06/25/18	R.L.



**ANCHORING LAYOUT FOR X**



**ANCHORING LAYOUT FOR XX, OX AND XO**



**ANCHORING LAYOUT FOR OX AND XO (MULL)**

NAN YA PLASTICS CORP. USA  
 8989 NORTH LOOP EAST  
 HOUSTON, TX 77029

SERIES SLPS IN-SWING PATIO DOOR  
 WITH INTEGRAL AND FIELD MULLION  
 ANCHORING LAYOUTS

DRAWN: L.M.P.	DWG NO. 08-01536	REV B
SCALE NTS	DATE 04/09/12	SHEET 5 OF 13

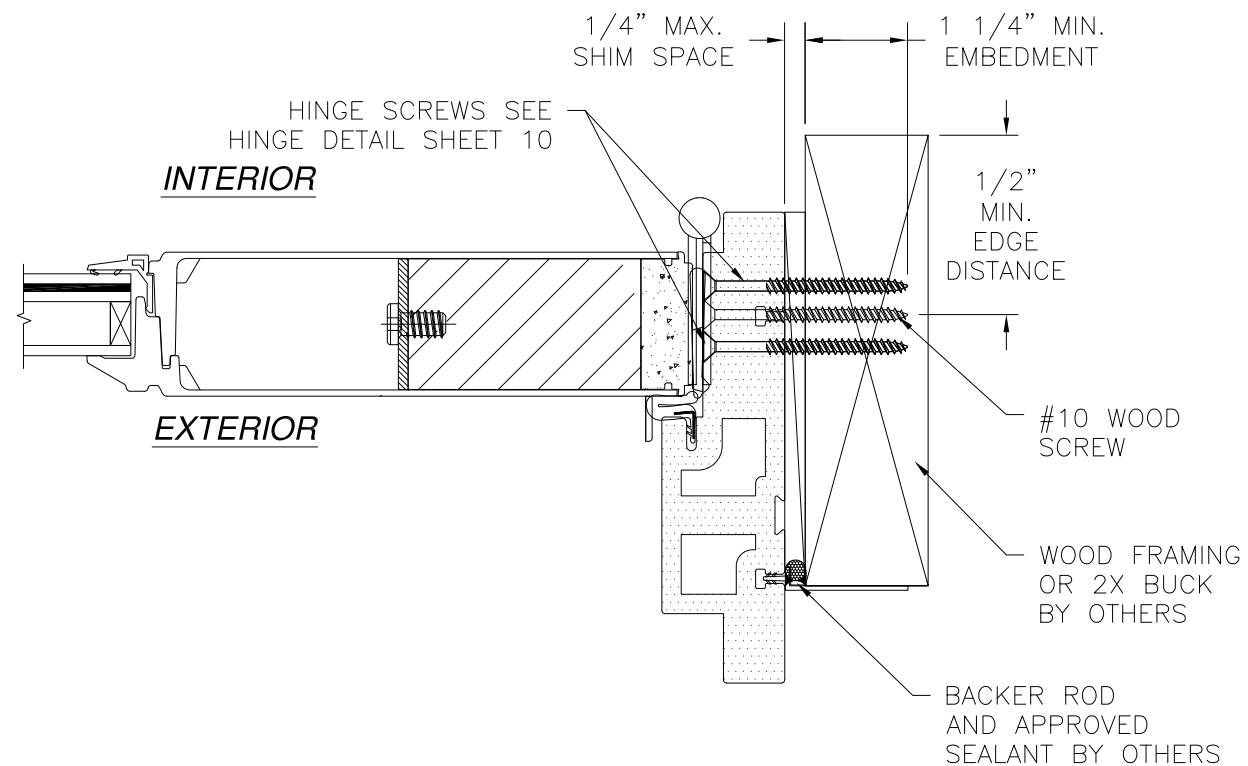
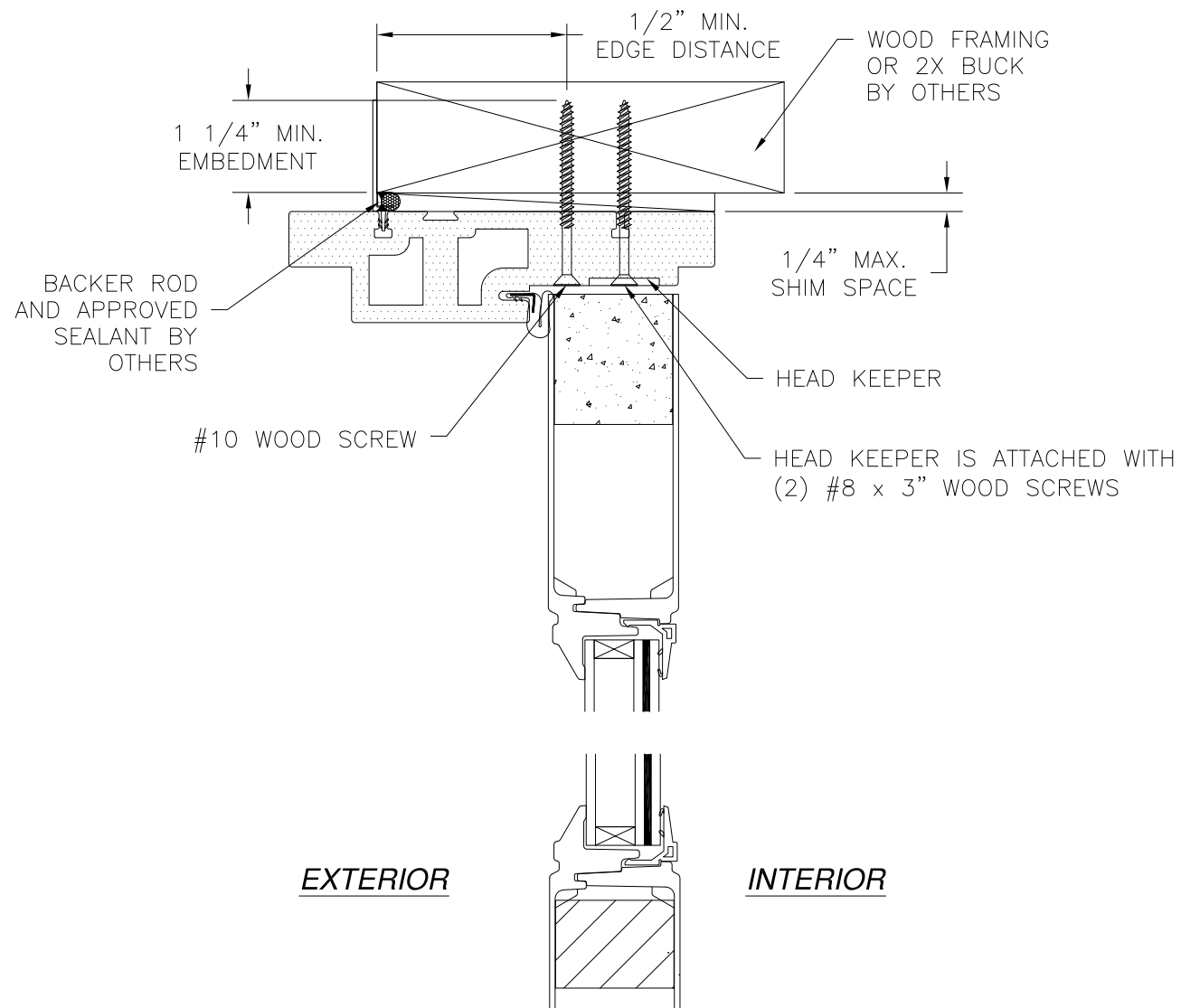
L. ROBERTO LOMAS P.E.  
 1432 WOODFORD RD LEWISVILLE, NC 27023  
 434-688-0609 rllomas@lrlomaspe.com

SIGNED: 02/06/2020

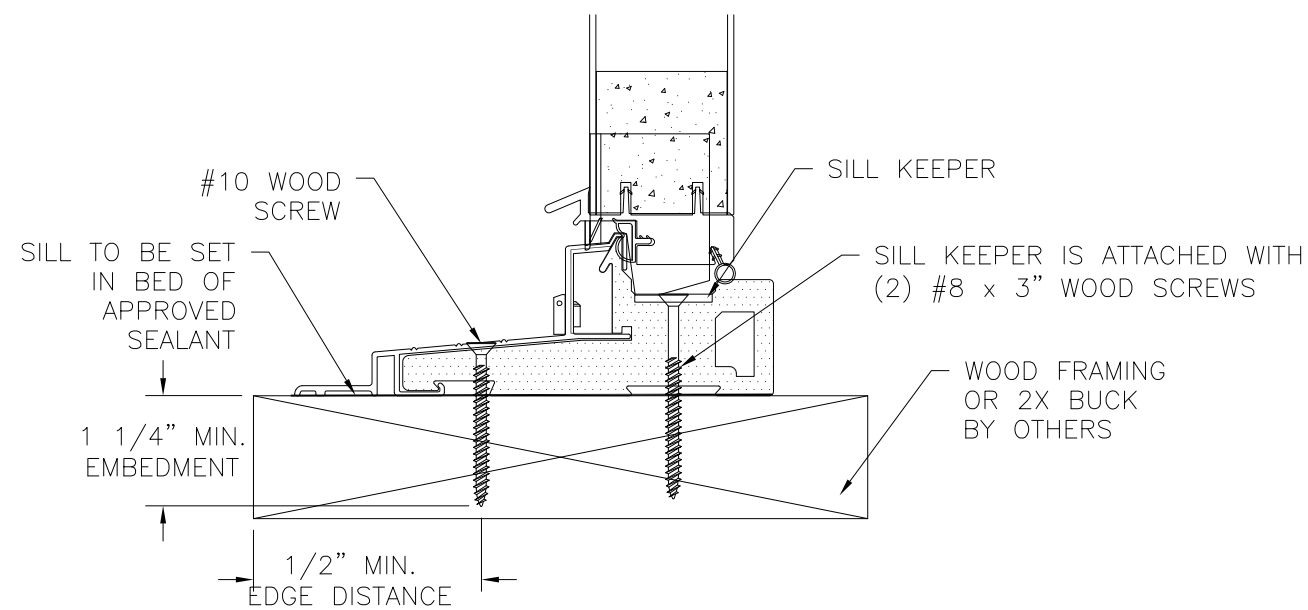


Luis R. Lomas P.E.  
 TX No.: 101889

REVISIONS			
REV	DESCRIPTION	DATE	APPROVED
A	ADDED HARDWARE DETAILS	03/18/14	R.L.
B	UPDATED COMPONENTS & DETAILS	06/25/18	R.L.



**HORIZONTAL CROSS SECTION  
HINGE JAMB DETAIL  
2X BUCK/WOOD FRAMING INSTALLATION**



**VERTICAL CROSS SECTION  
DOOR SHOWN, SIDELITE SIMILAR  
2X BUCK/WOOD FRAMING INSTALLATION**

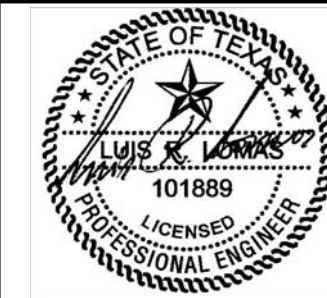
SIGNED: 02/06/2020

NAN YA PLASTICS CORP. USA  
8989 NORTH LOOP EAST  
HOUSTON, TX 77029

SERIES SLPS IN-SWING PATIO DOOR  
WITH INTEGRAL AND FIELD MULLION  
INSTALLATION DETAILS

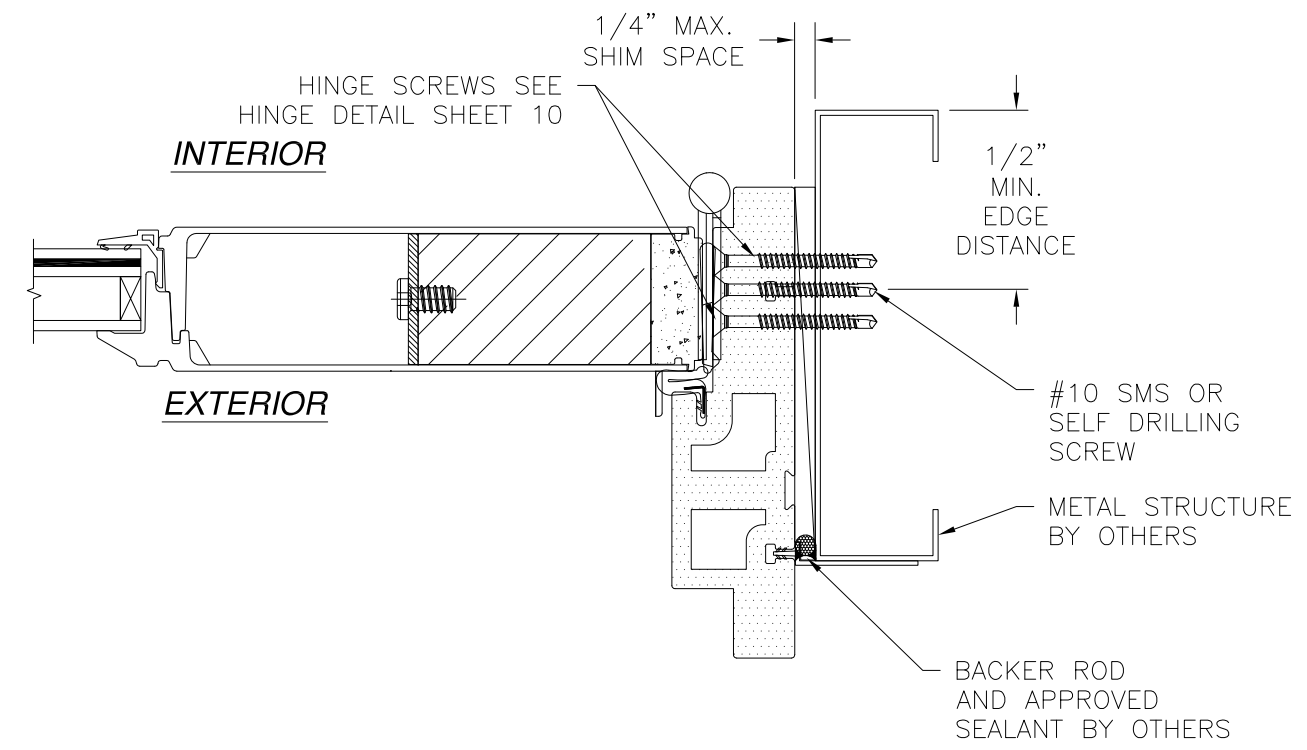
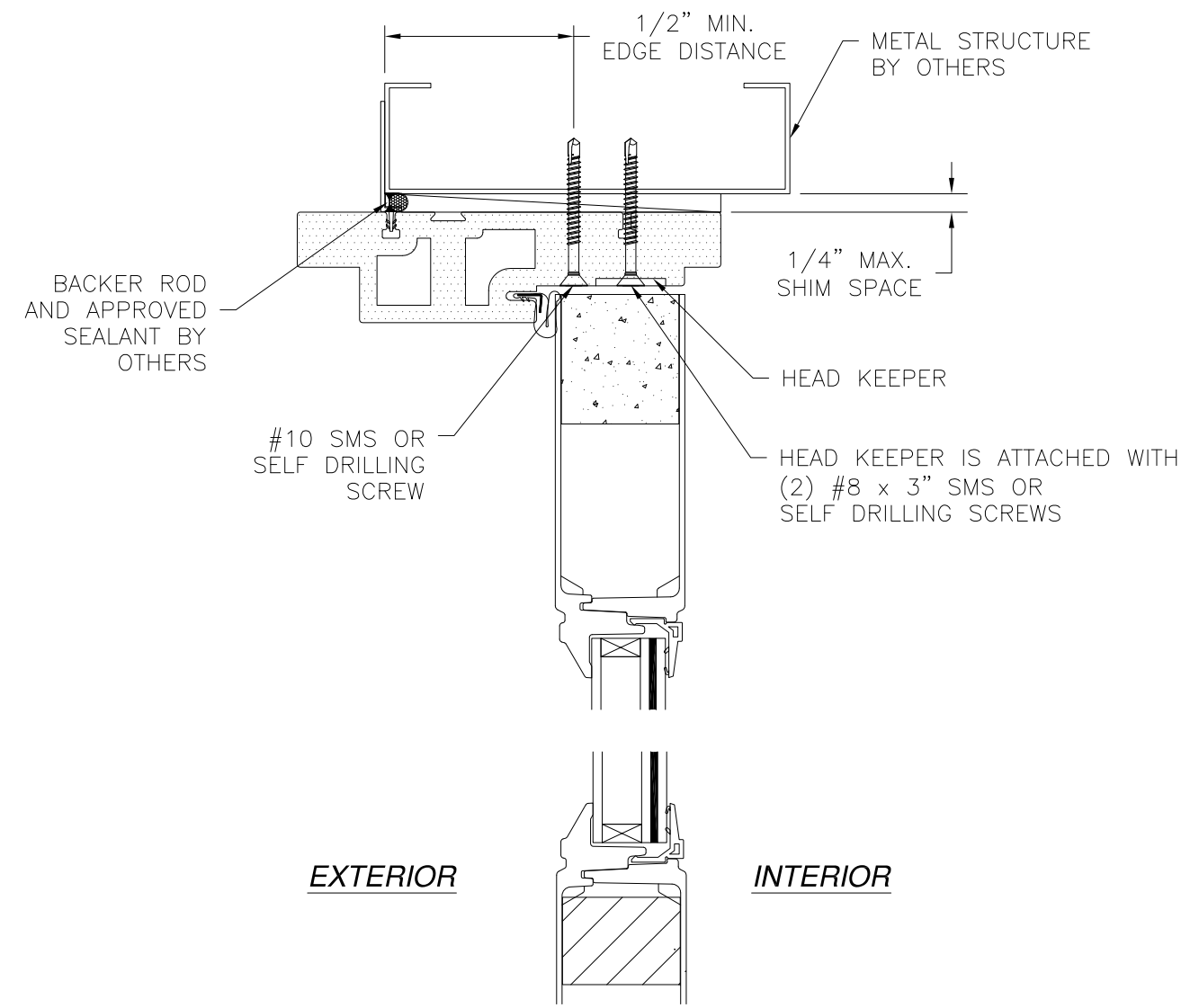
DRAWN: L.M.P.	DWG NO. 08-01536	REV B
SCALE NTS	DATE 04/09/12	SHEET 6 OF 13

L. ROBERTO LOMAS P.E.  
1432 WOODFORD RD LEWISVILLE, NC 27023  
434-688-0609 rllomas@lrlomaspe.com

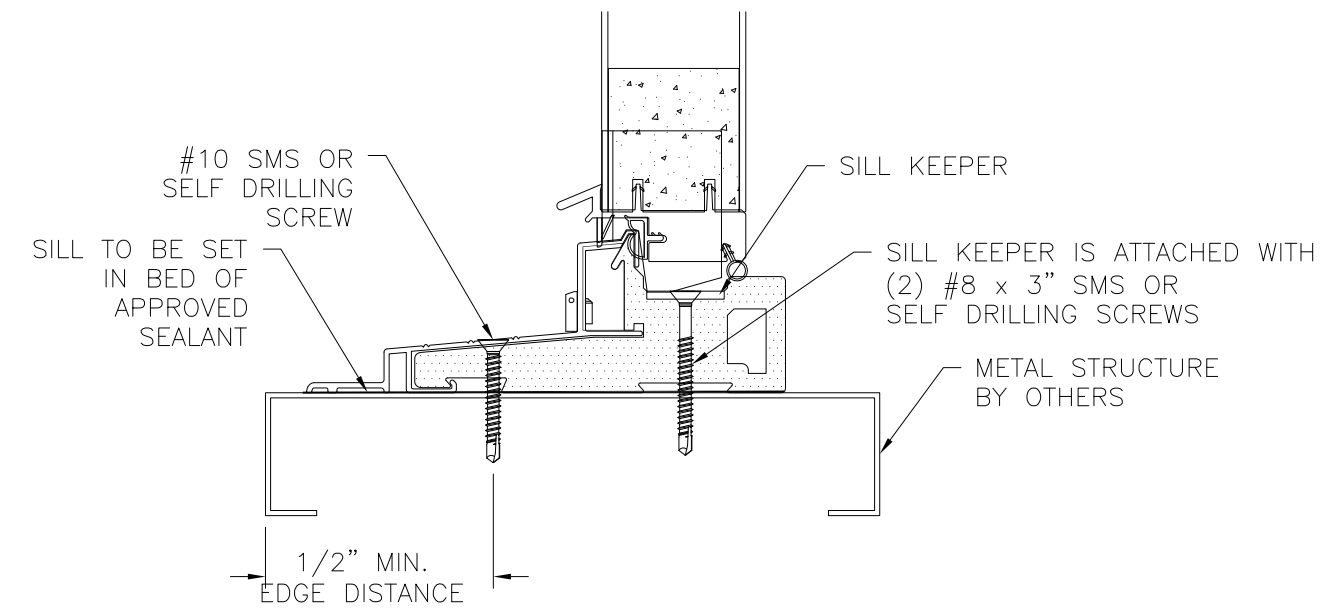


Luis R. Lomas P.E.  
TX No.: 101889

REVISIONS			
REV	DESCRIPTION	DATE	APPROVED
A	ADDED HARDWARE DETAILS	03/18/14	R.L.
B	UPDATED COMPONENTS & DETAILS	06/25/18	R.L.



**HORIZONTAL CROSS SECTION  
HINGE JAMB DETAIL  
METAL STRUCTURE INSTALLATION**



**VERTICAL CROSS SECTION  
DOOR SHOWN, SIDELITE SIMILAR  
METAL STRUCTURE INSTALLATION**

NAN YA PLASTICS CORP. USA  
8989 NORTH LOOP EAST  
HOUSTON, TX 77029

SERIES SLPS IN-SWING PATIO DOOR  
WITH INTEGRAL AND FIELD MULLION  
INSTALLATION DETAILS

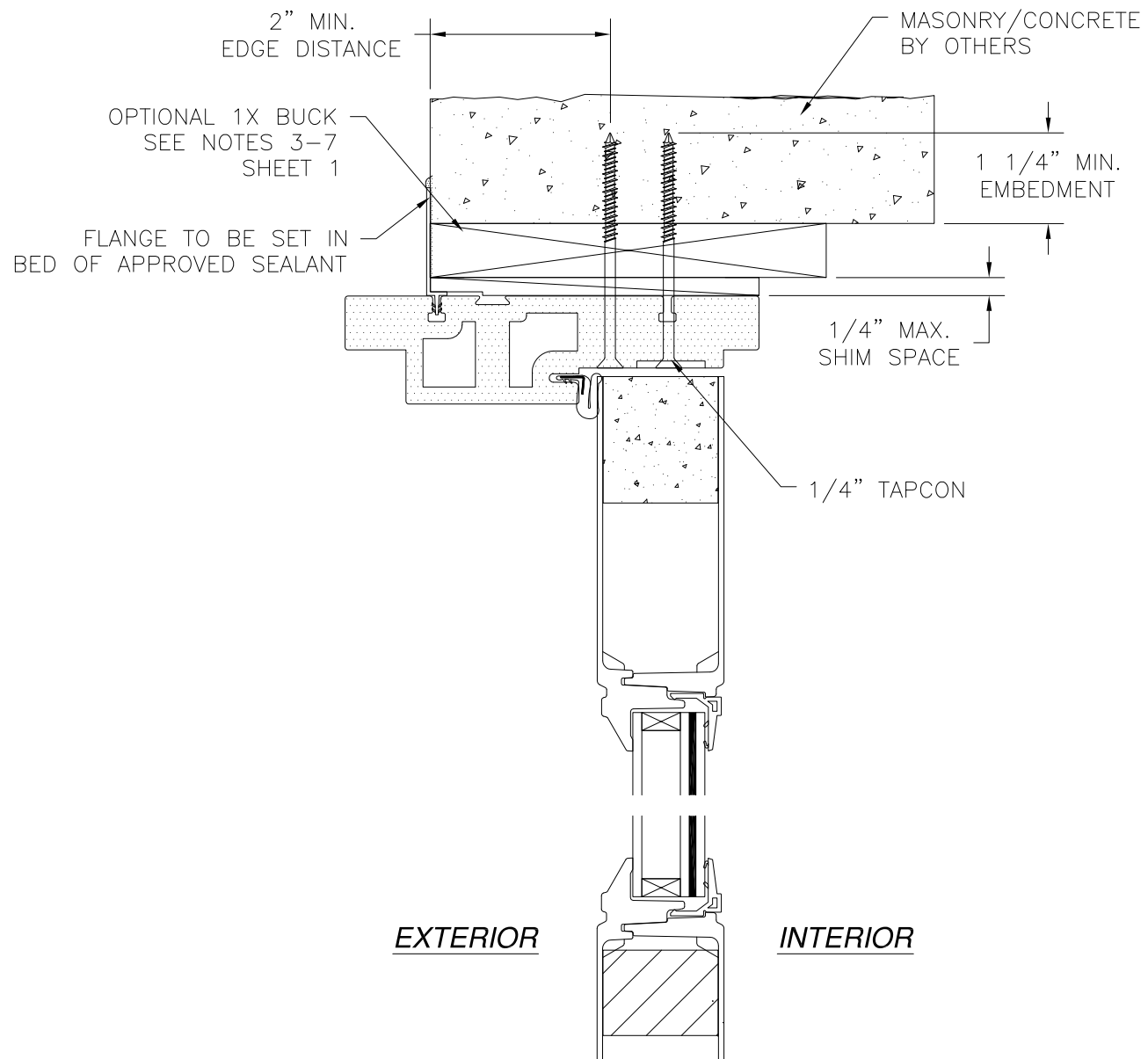
DRAWN: L.M.P.	DWG NO. 08-01536	REV B
SCALE NTS	DATE 04/09/12	SHEET 7 OF 13

L. ROBERTO LOMAS P.E.  
1432 WOODFORD RD LEWISVILLE, NC 27023  
434-688-0609 rllomas@lrlomaspe.com

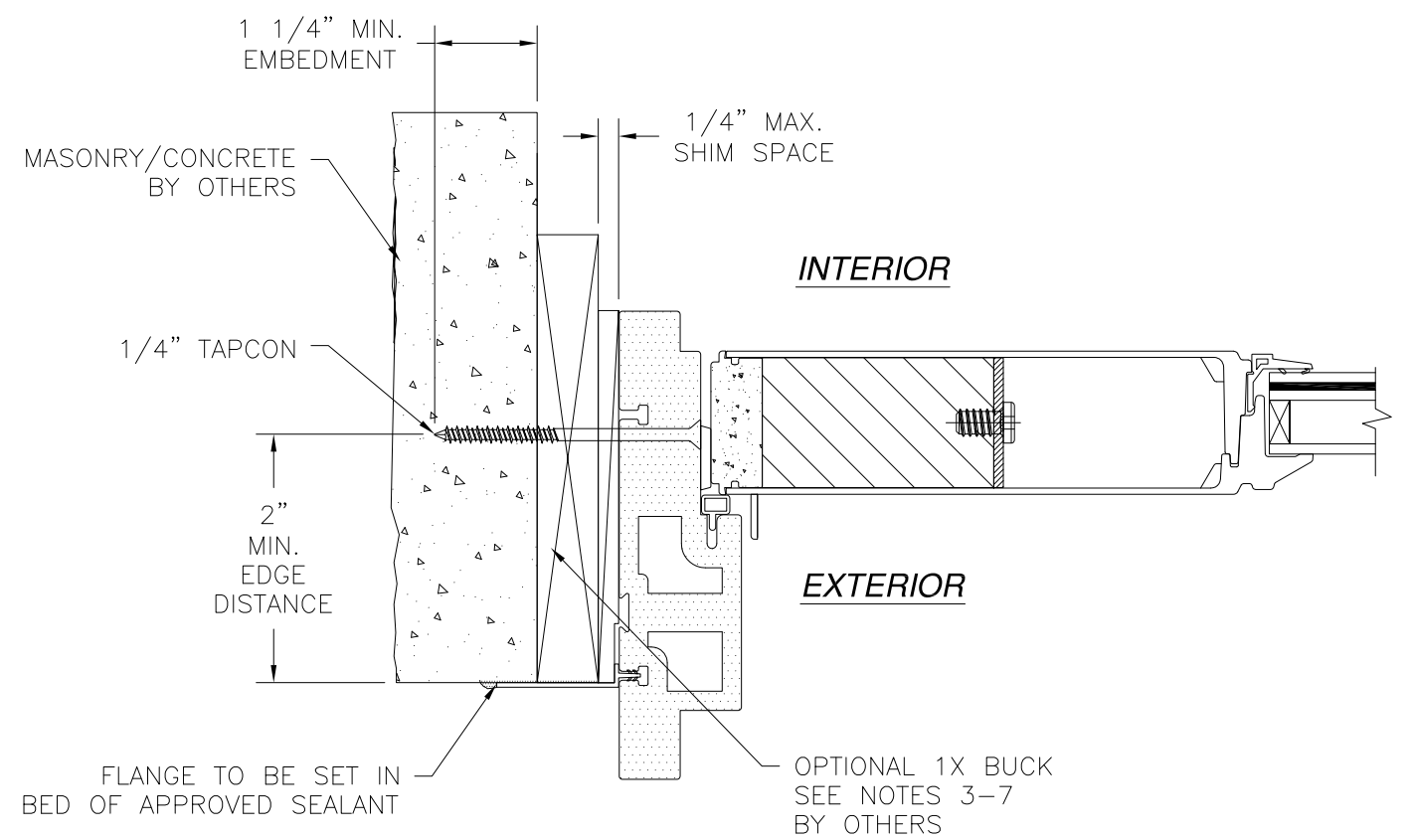
SIGNED: 02/06/2020



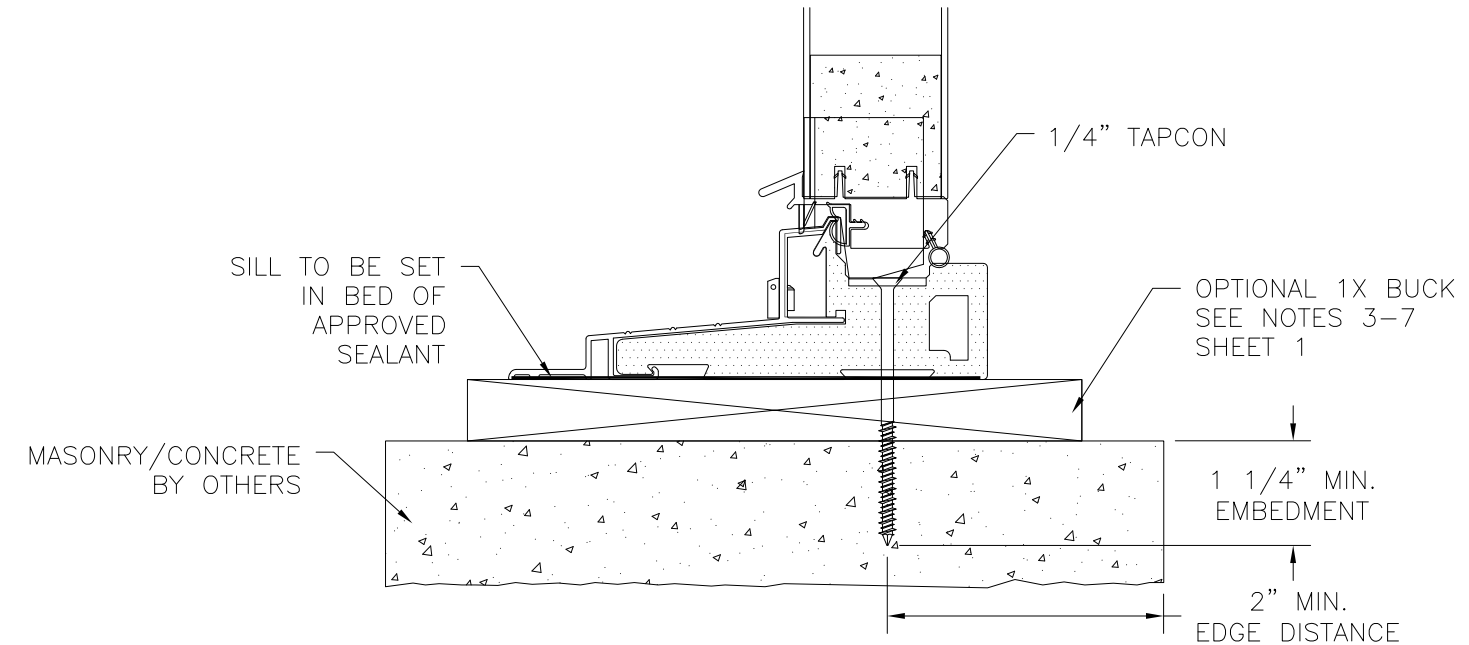
Luis R. Lomas P.E.  
TX No.: 101889



REVISIONS			
REV	DESCRIPTION	DATE	APPROVED
A	ADDED HARDWARE DETAILS	03/18/14	R.L.
B	UPDATED COMPONENTS & DETAILS	06/25/18	R.L.



**MASONRY/CONCRETE INSTALLATION**  
DOOR JAMB SHOWN, SIDELITE JAMB SIMILAR



**MASONRY/CONCRETE INSTALLATION**  
DOOR SHOWN SIDELITE SIMILAR

SIGNED: 02/06/2020

NAN YA PLASTICS CORP. USA  
8989 NORTH LOOP EAST  
HOUSTON, TX 77029

SERIES SLPS IN-SWING PATIO DOOR  
WITH INTEGRAL AND FIELD MULLION  
INSTALLATION DETAILS

DRAWN: L.M.P.	DWG NO. 08-01536	REV B
SCALE NTS	DATE 04/09/12	SHEET 8 OF 13

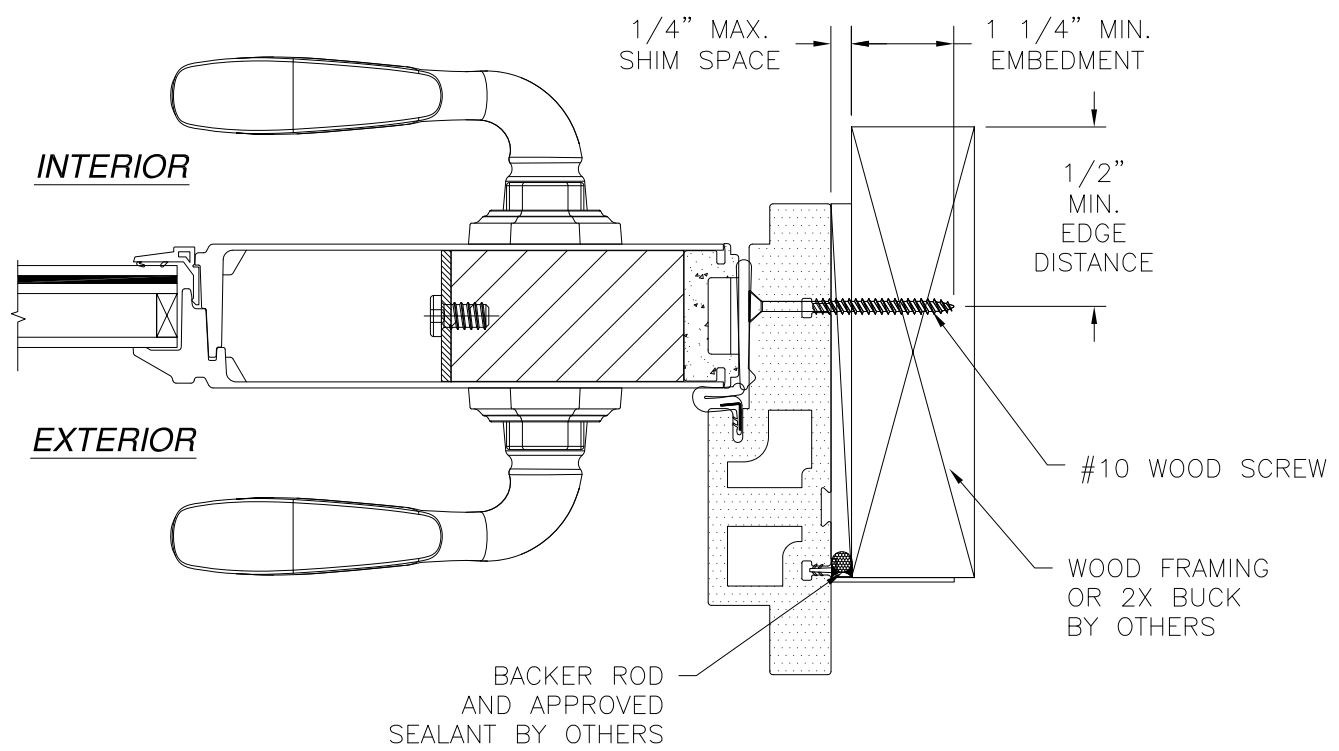
L. ROBERTO LOMAS P.E.  
1432 WOODFORD RD LEWISVILLE, NC 27023  
434-688-0609 rllomas@lrlomaspe.com



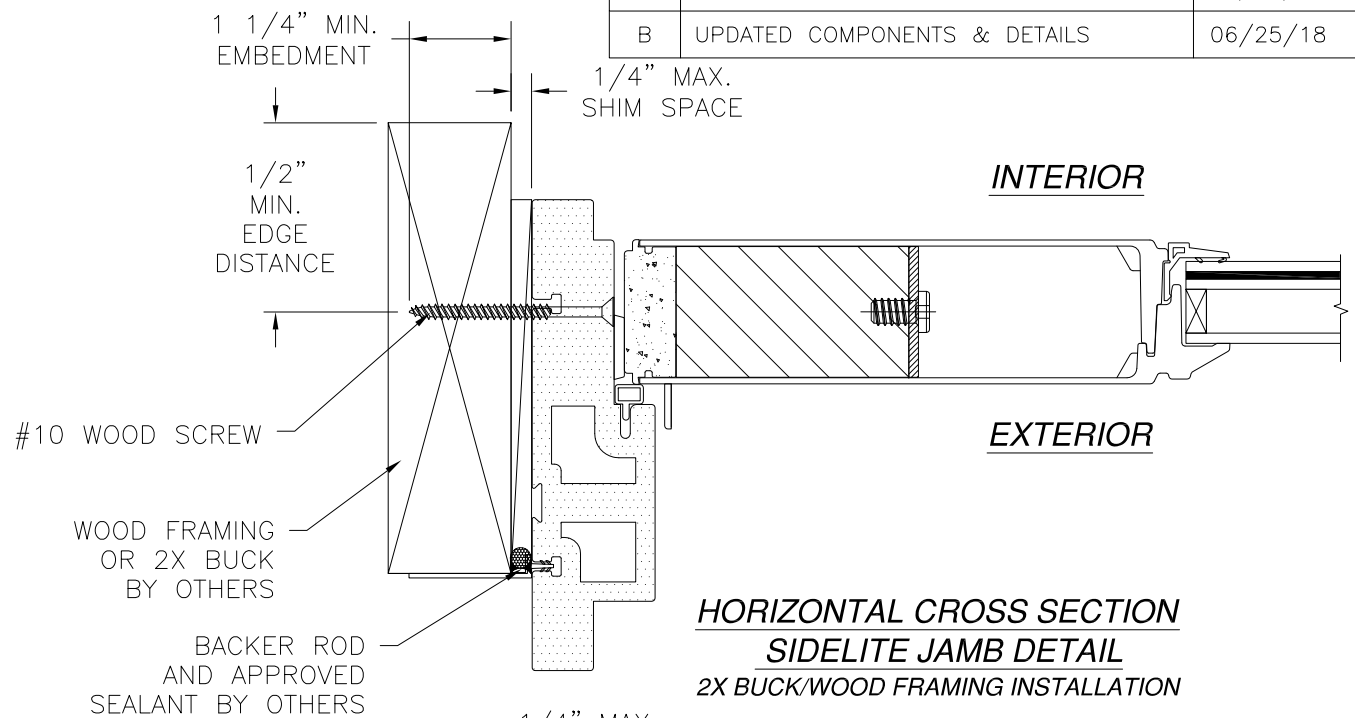
Luis R. Lomas P.E.  
TX No.: 101889



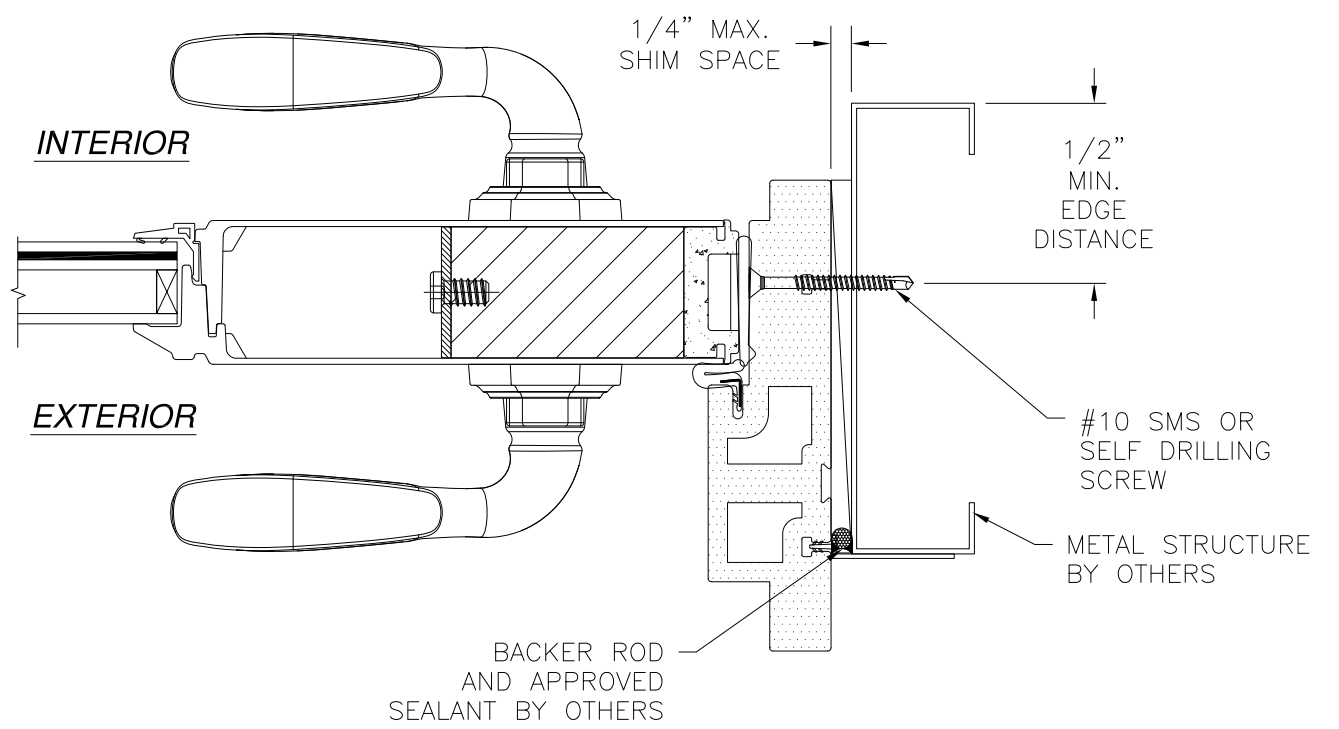
REVISIONS			
REV	DESCRIPTION	DATE	APPROVED
A	ADDED HARDWARE DETAILS	03/18/14	R.L.
B	UPDATED COMPONENTS & DETAILS	06/25/18	R.L.



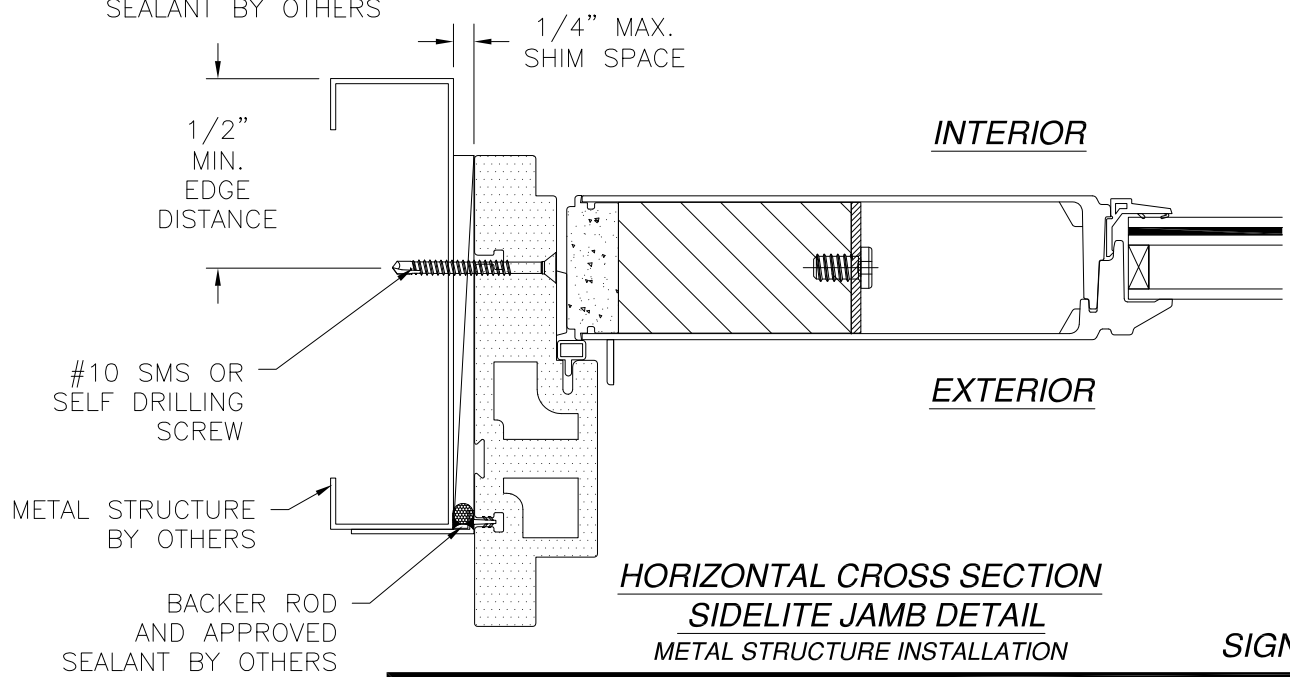
**HORIZONTAL CROSS SECTION  
STRIKE JAMB DETAIL  
2X BUCK/WOOD FRAMING INSTALLATION**



**HORIZONTAL CROSS SECTION  
SIDELITE JAMB DETAIL  
2X BUCK/WOOD FRAMING INSTALLATION**



**HORIZONTAL CROSS SECTION  
STRIKE JAMB DETAIL  
METAL STRUCTURE INSTALLATION**



**HORIZONTAL CROSS SECTION  
SIDELITE JAMB DETAIL  
METAL STRUCTURE INSTALLATION**

SIGNED: 02/06/2020

NAN YA PLASTICS CORP. USA  
8989 NORTH LOOP EAST  
HOUSTON, TX 77029

SERIES SLPS IN-SWING PATIO DOOR  
WITH INTEGRAL AND FIELD MULLION  
INSTALLATION DETAILS

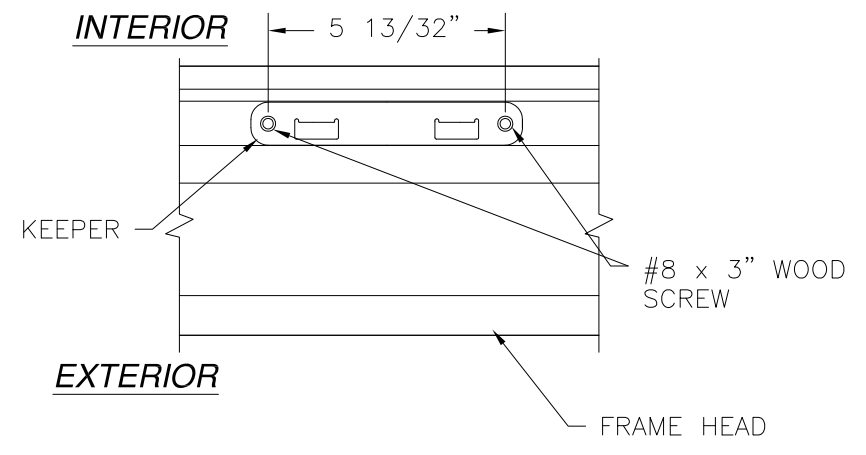
DRAWN: L.M.P.	DWG NO. 08-01536	REV B
SCALE NTS	DATE 04/09/12	SHEET 9 OF 13

L. ROBERTO LOMAS P.E.  
1432 WOODFORD RD LEWISVILLE, NC 27023  
434-688-0609 rllomas@rlomaspe.com

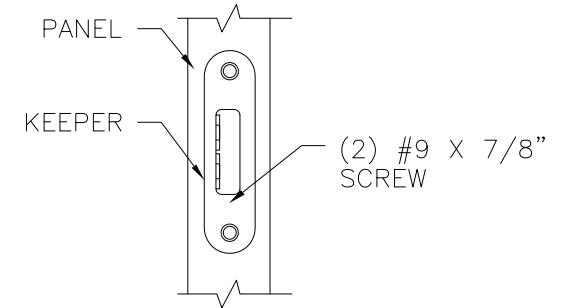


Luis R. Lomas P.E.  
TX No.: 101889

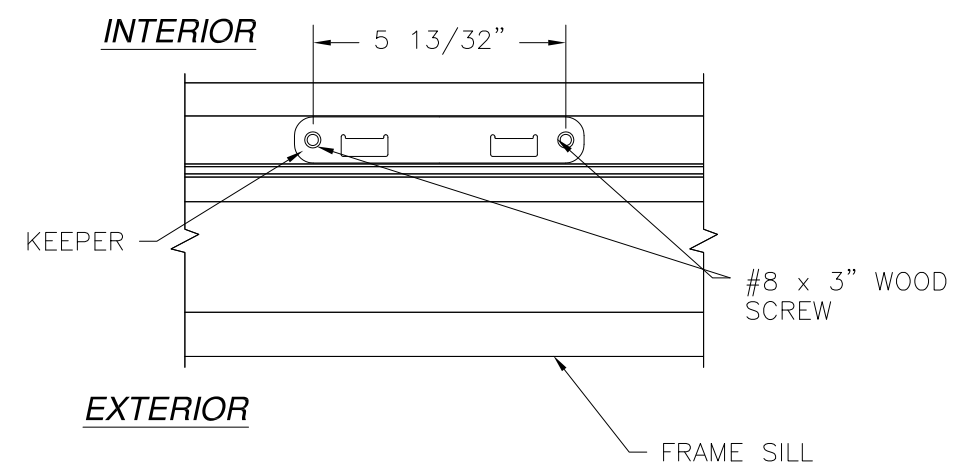
REVISIONS			
REV	DESCRIPTION	DATE	APPROVED
A	ADDED HARDWARE DETAILS	03/18/14	R.L.
B	UPDATED COMPONENTS & DETAILS	06/25/18	R.L.



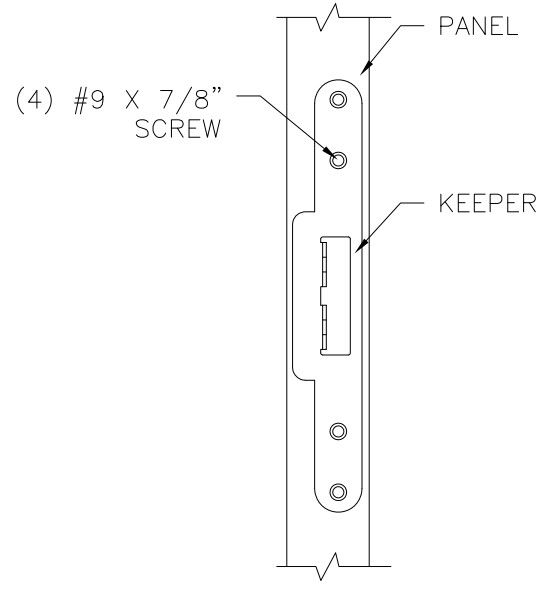
**HEAD KEEPER DETAIL**



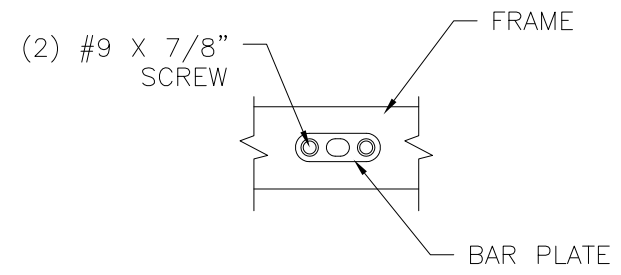
**HOOK KEEPER DETAIL**



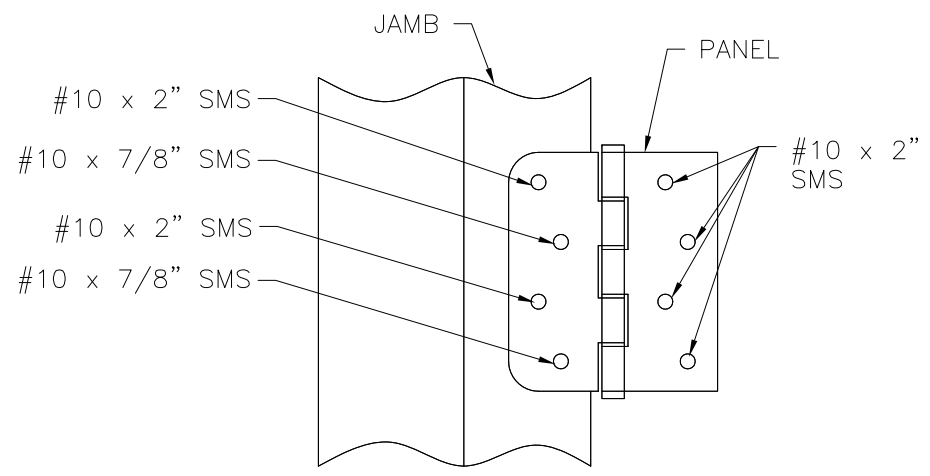
**SILL KEEPER DETAIL**



**SLAB MULTI-POINT LOCK KEEPER DETAIL**



**DRIVE BAR PLATE DETAIL**



**HINGE INSTALLATION DETAIL**

**NAN YA PLASTICS CORP. USA**  
 8989 NORTH LOOP EAST  
 HOUSTON, TX 77029

SERIES SLPS IN-SWING PATIO DOOR  
 WITH INTEGRAL AND FIELD MULLION  
 INSTALLATION DETAILS

DRAWN: L.M.P.	DWG NO. 08-01536	REV B
SCALE NTS	DATE 04/09/12	SHEET 10 OF 13

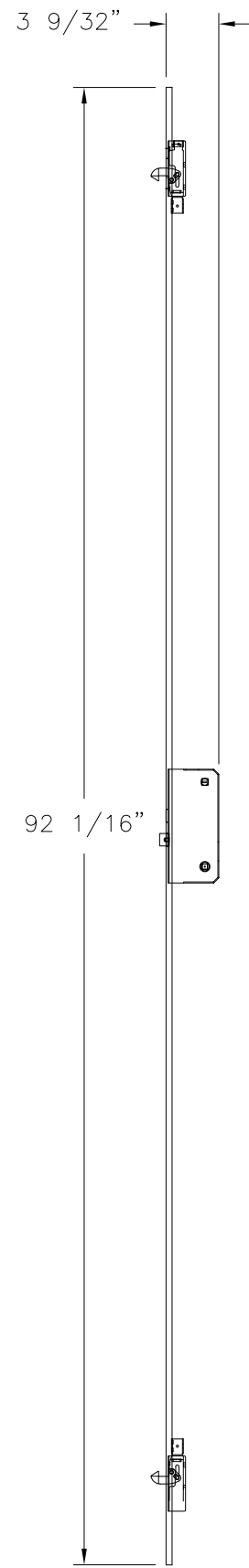
L. ROBERTO LOMAS P.E.  
 1432 WOODFORD RD LEWISVILLE, NC 27023  
 434-688-0609 rllomas@lrlomaspe.com

SIGNED: 02/06/2020

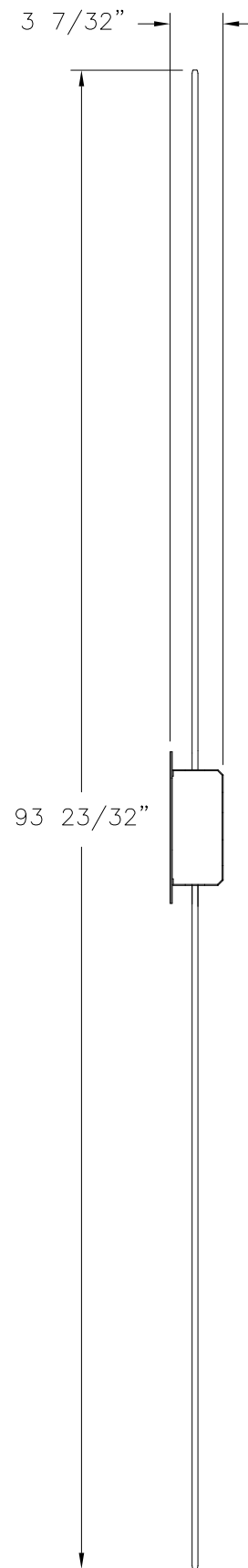


Luis R. Lomas P.E.  
 TX No.: 101889

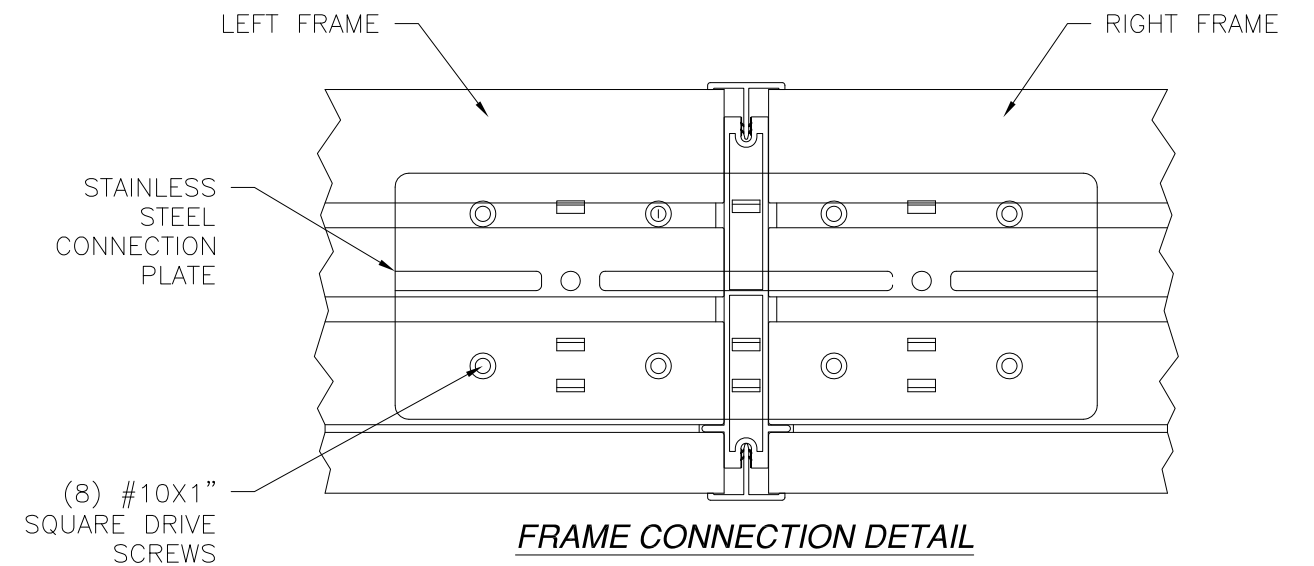
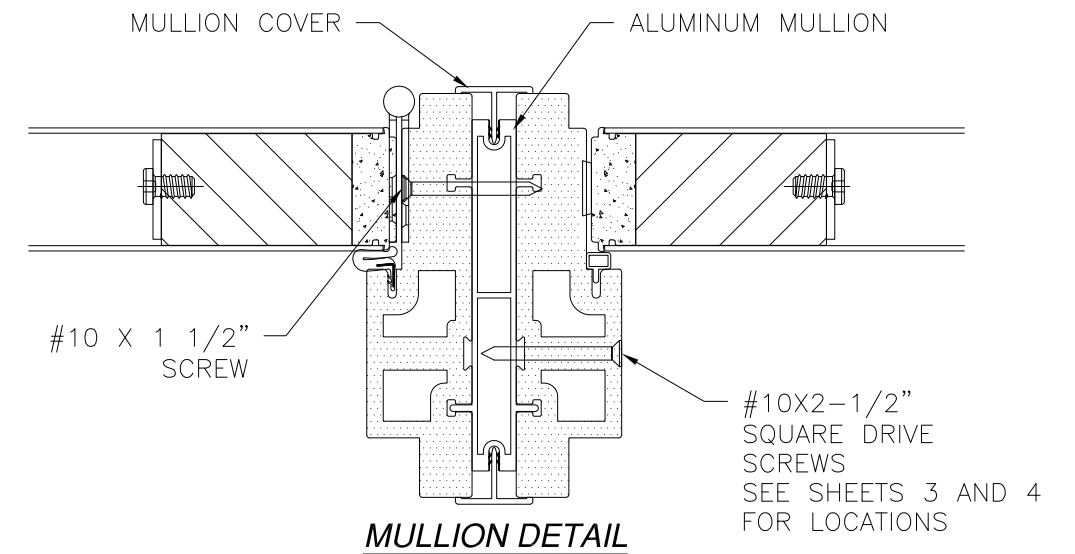
REVISIONS			
REV	DESCRIPTION	DATE	APPROVED
A	ADDED HARDWARE DETAILS	03/18/14	R.L.
B	UPDATED COMPONENTS & DETAILS	06/25/18	R.L.



**MULTI-POINT LOCKING SYSTEM**  
STAINLESS STEEL (SS930 BY MICOTA TECH)



**TOP/BOTTOM DRIVE BAR SYSTEM**  
STAINLESS STEEL (SS916 BY MICOTA TECH)



SIGNED: 02/06/2020

NAN YA PLASTICS CORP. USA  
8989 NORTH LOOP EAST  
HOUSTON, TX 77029

SERIES SLPS IN-SWING PATIO DOOR  
WITH INTEGRAL AND FIELD MULLION  
INSTALLATION DETAILS & COMPONENTS

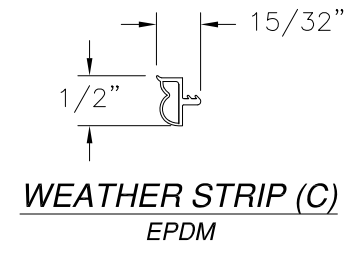
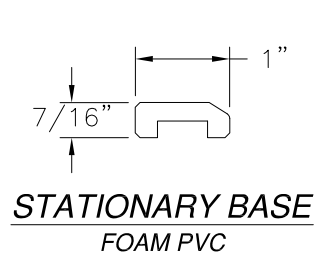
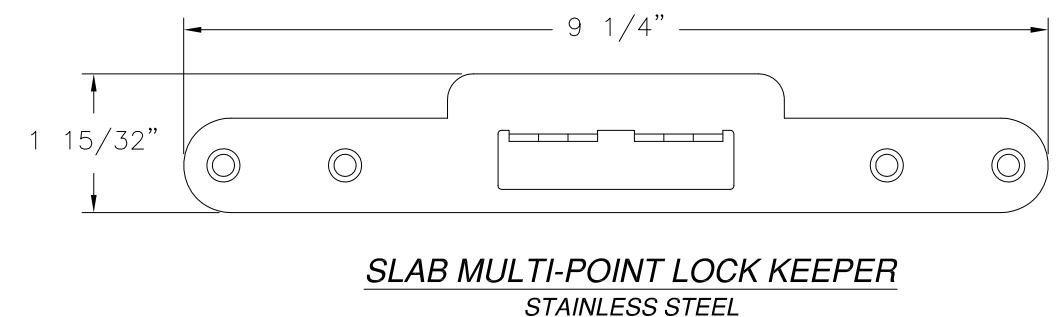
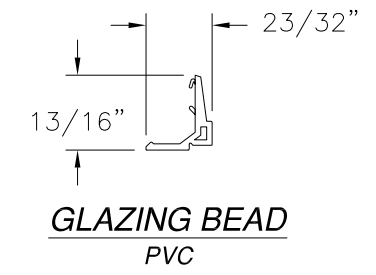
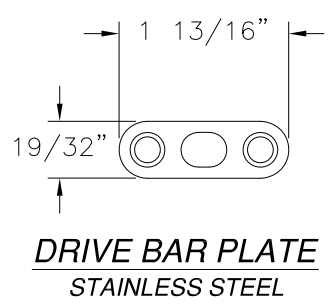
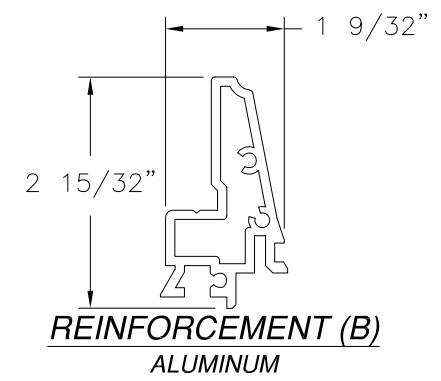
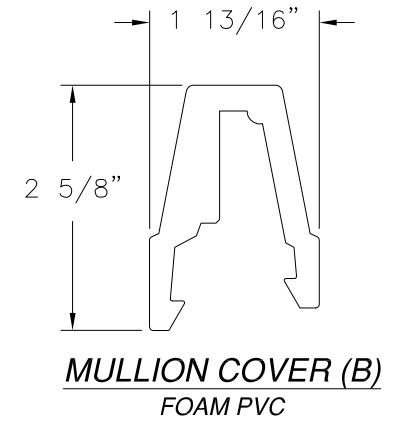
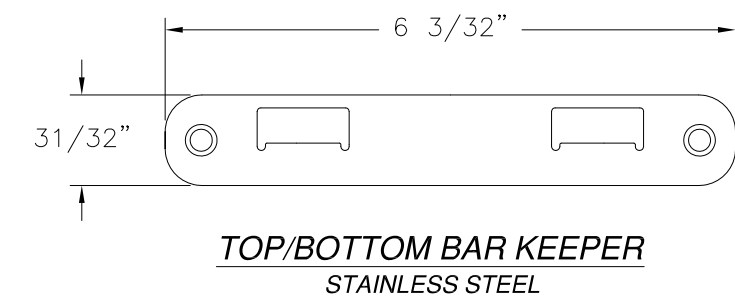
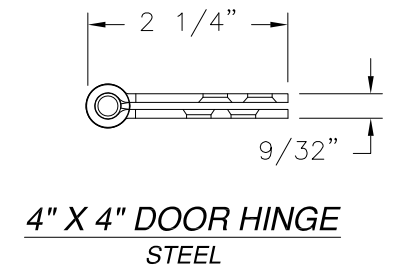
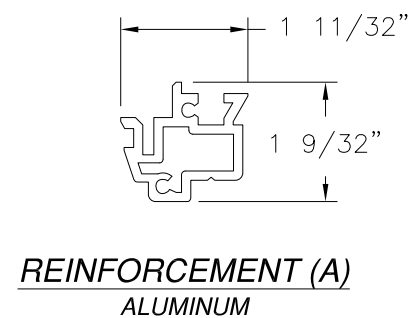
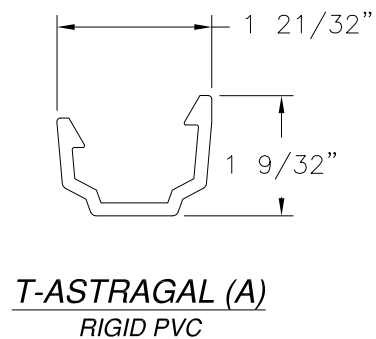
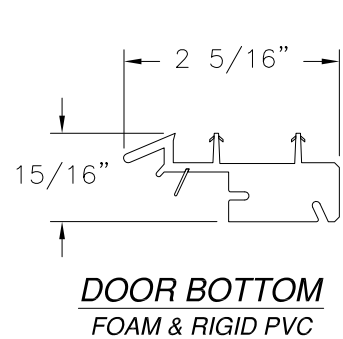
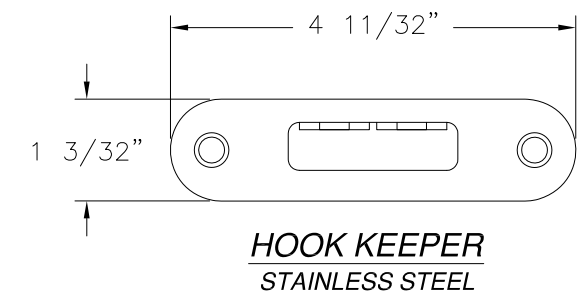
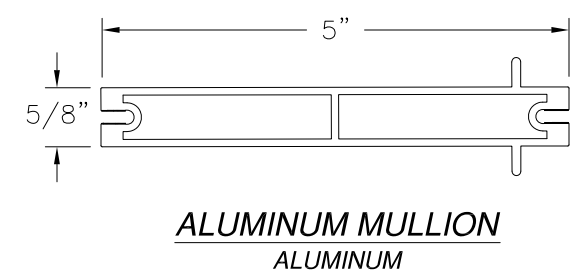
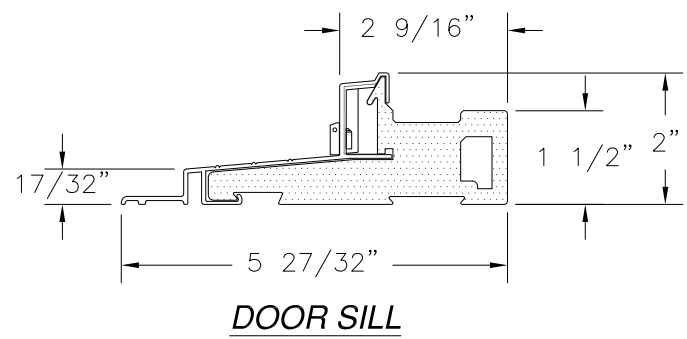
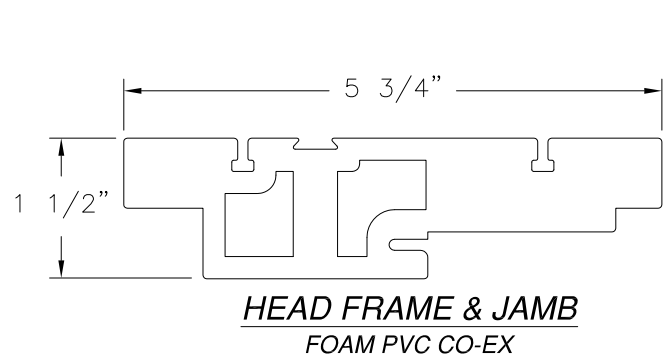
DRAWN: L.M.P.	DWG NO. 08-01536	REV B
SCALE NTS	DATE 04/09/12	SHEET 11 OF 13

L. ROBERTO LOMAS P.E.  
1432 WOODFORD RD LEWISVILLE, NC 27023  
434-688-0609 rllomas@lrlomaspe.com



Luis R. Lomas P.E.  
TX No.: 101889

REVISIONS			
REV	DESCRIPTION	DATE	APPROVED
A	ADDED HARDWARE DETAILS	03/18/14	R.L.
B	UPDATED COMPONENTS & DETAILS	06/25/18	R.L.



SIGNED: 02/06/2020

NAN YA PLASTICS CORP. USA  
8989 NORTH LOOP EAST  
HOUSTON, TX 77029

SERIES SLPS IN-SWING PATIO DOOR  
WITH INTEGRAL AND FIELD MULLION  
COMPONENTS

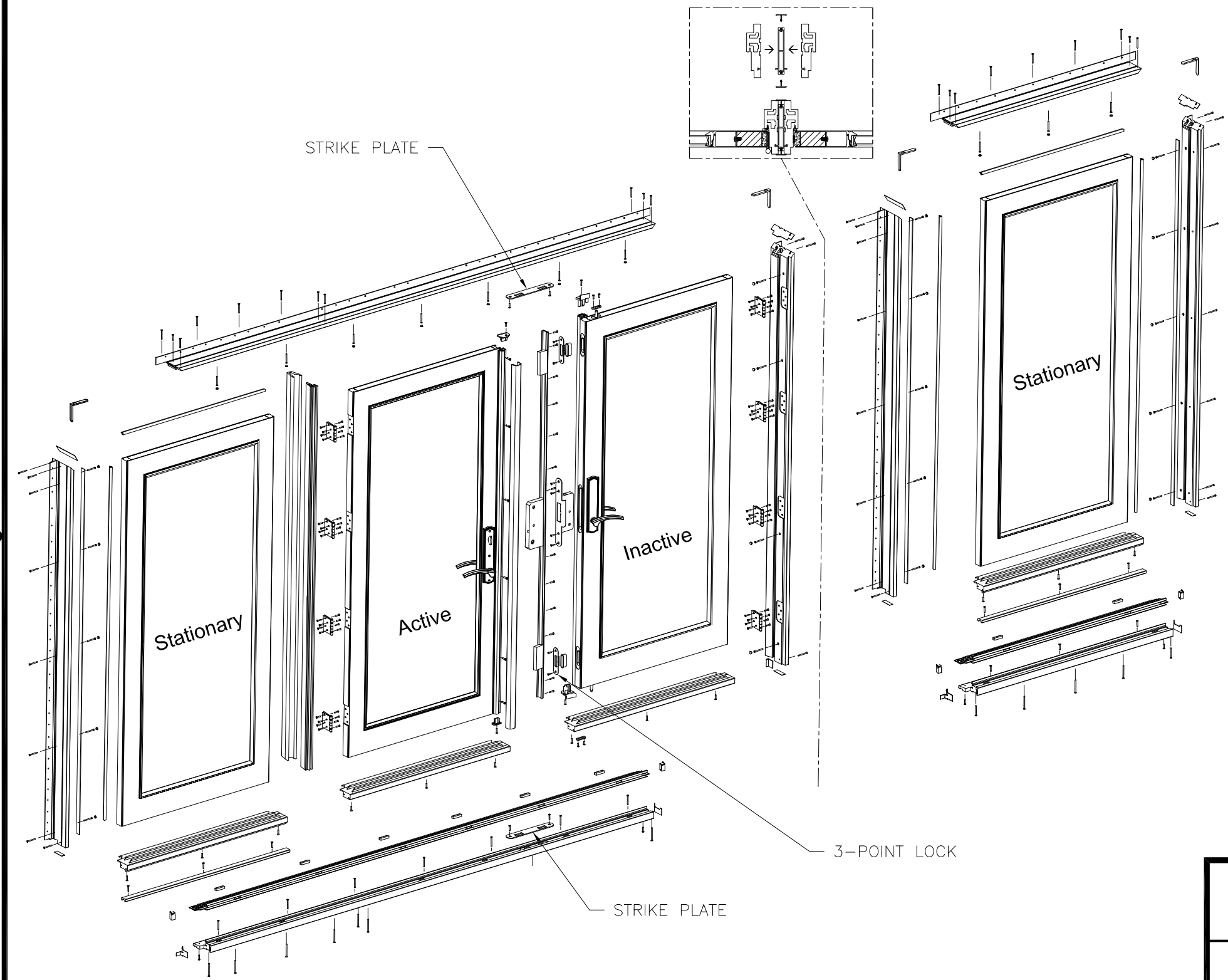
DRAWN: L.M.P.	DWG NO. 08-01536	REV B
SCALE NTS	DATE 04/09/12	SHEET 12 OF 13

L. ROBERTO LOMAS P.E.  
1432 WOODFORD RD LEWISVILLE, NC 27023  
434-688-0609 rllomas@rlomaspe.com

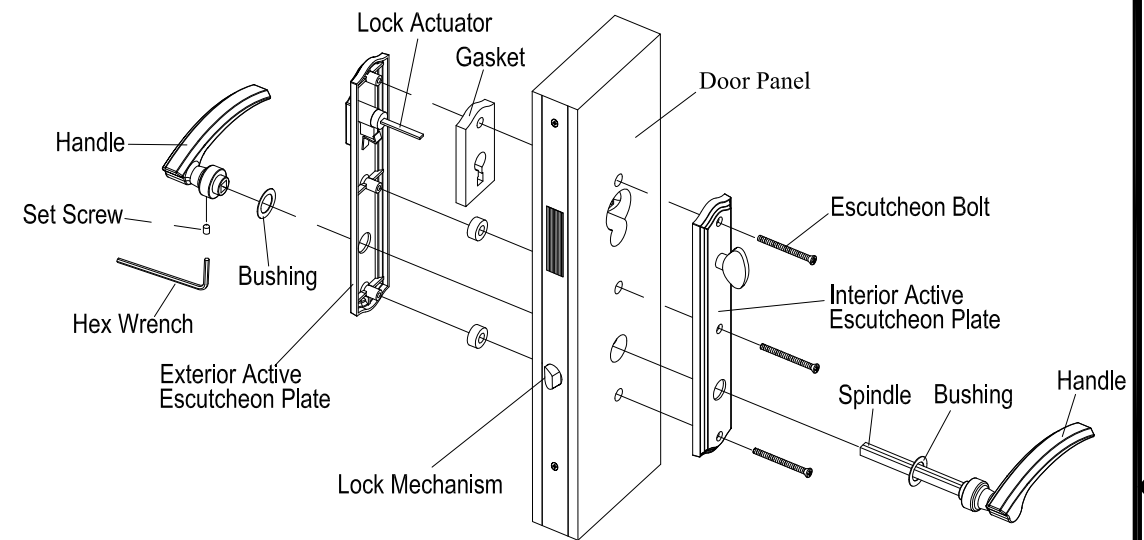


Luis R. Lomas P.E.  
TX No.: 101889

REVISIONS			
REV	DESCRIPTION	DATE	APPROVED
A	ADDED HARDWARE DETAILS	03/18/14	R.L.
B	UPDATED COMPONENTS & DETAILS	06/25/18	R.L.



HARDWARE LAYOUT



LOCK HANDLE SET

SIGNED: 02/06/2020

NAN YA PLASTICS CORP. USA  
 8989 NORTH LOOP EAST  
 HOUSTON, TX 77029

SERIES SLPS IN-SWING PATIO DOOR  
 WITH INTEGRAL AND FIELD MULLION  
 HARDWARE DETAILS

DRAWN: L.M.P.	DWG NO. 08-01536	REV B
SCALE NTS	DATE 04/09/12	SHEET 13 OF 13

L. ROBERTO LOMAS P.E.  
 1432 WOODFORD RD LEWISVILLE, NC 27023  
 434-688-0609 rllomas@lrlomaspe.com



Luis R. Lomas P.E.  
 TX No.: 101889