



R-650 SLIDING PATIO DOOR "NON-IMPACT"

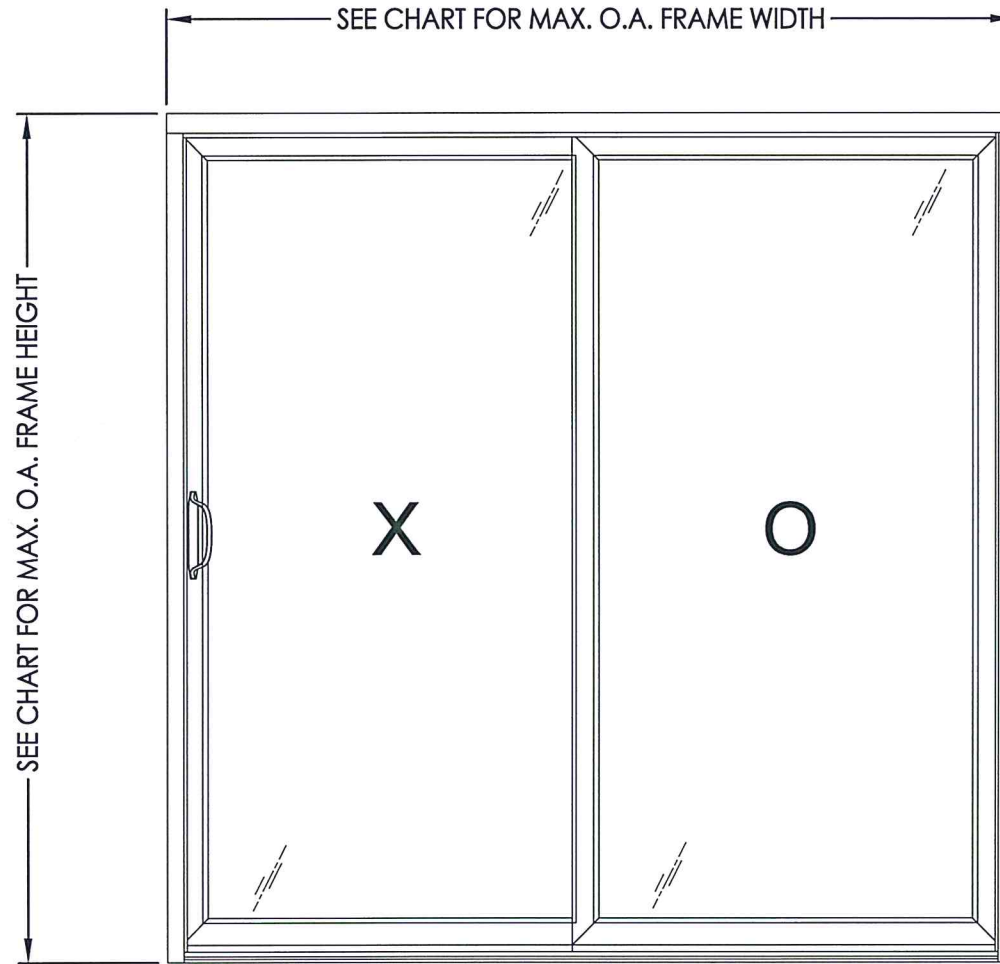
EVALUATED FOR USE IN THE STATE OF TEXAS

TDI DR-1108

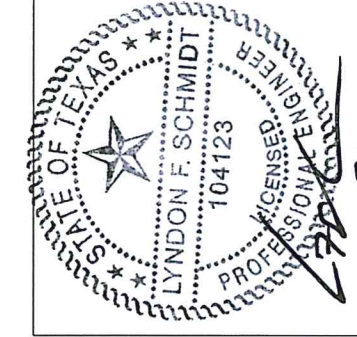
The Novatech Sliding Patio Door described herein complies with the 2018 International Residential Code (IRC), Sections R301 & R609 and the 2018 International Building Code (IBC), Sections 1404.13, 1609, 1709.5, 2403 and 2404 subject to the following conditions:

1. Anchors shall be as listed and spaced as shown in the details. Anchor embedment to base material shall be beyond wall dressing or stucco.
2. When used in areas requiring wind-borne debris protection this product is required to be protected with an impact resistant covering that complies with Section R301.2.1.2 of the IRC and Section 1609.1.2 of the IBC.
3. Allowable design pressure requirements must be equal to or less than the design pressure rating shown in the design pressure chart, sheet 1 of this drawing.
4. Conditions not covered by this drawing are subject to further engineering analysis.

TABLE OF CONTENTS	
SHEET#	DESCRIPTION
1	Typical elevations, design pressures and general notes
2	Horizontal cross sections
3	Vertical cross sections
4	Buck and frame anchoring
5	Bill of materials, glazing details & components



MAX. FRAME DIMENSION	MAX. D.L.O. DIMENSION	GLASS TYPE	DESIGN PRESSURE (PSF)	
			POSITIVE	NEGATIVE
95.5" X 95.5"	42.3" x 86.77"	G1	+35.0	-35.0

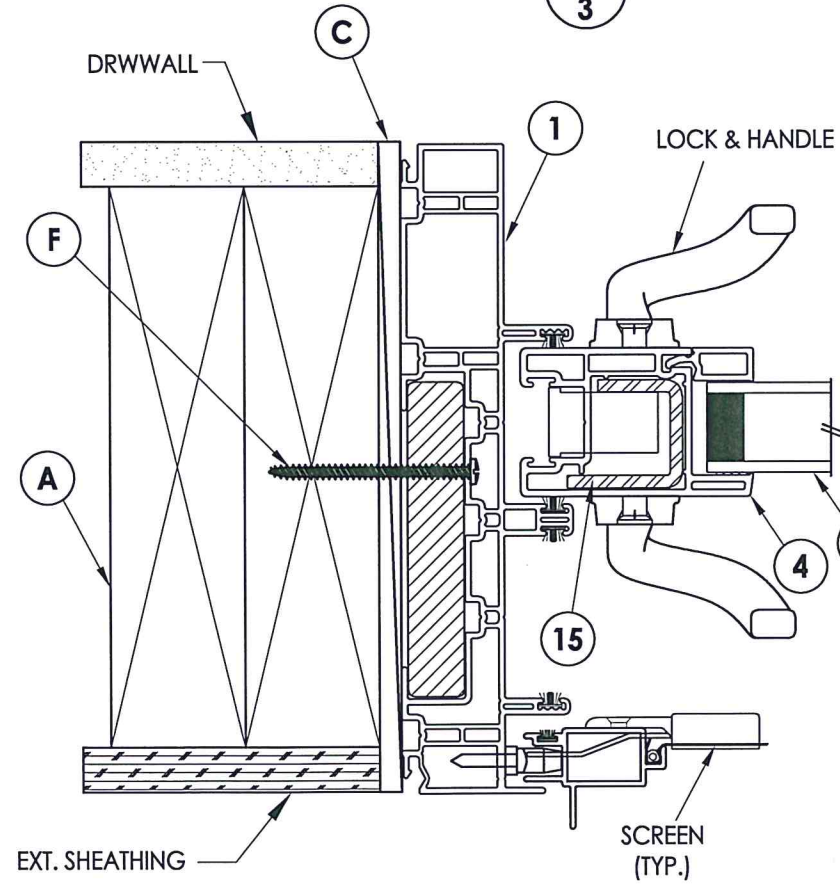
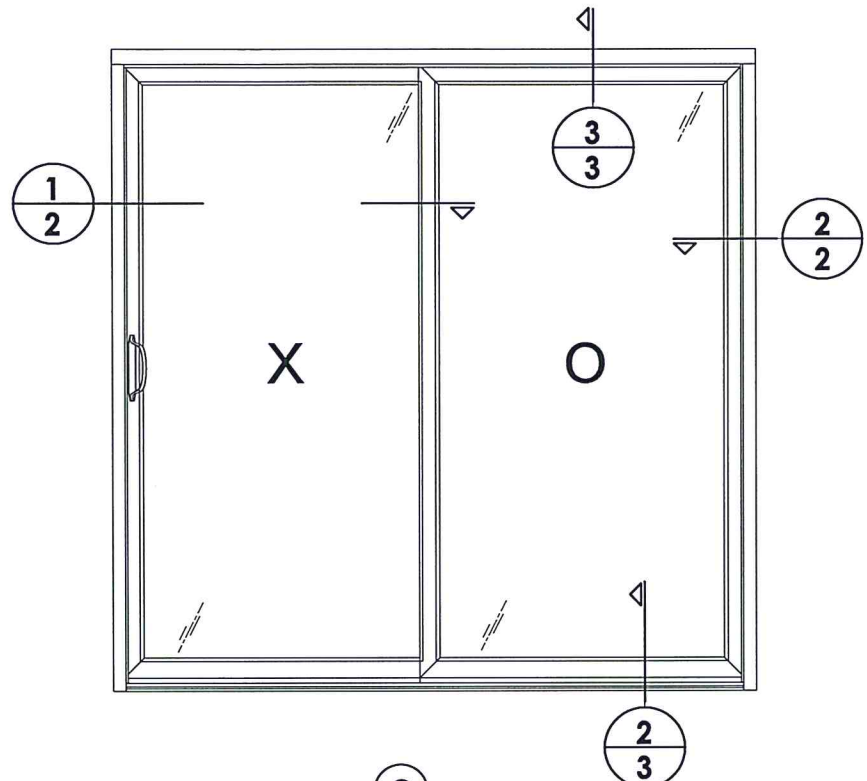


Documents Prepared By: Lyndon F. Schmidt, P.E.
TEXAS P.E. #104123

RW BUILDING CONSULTANTS, INC.
P.O. Box 230 Valrico FL, 33595
Phone No.: 813.659.9197

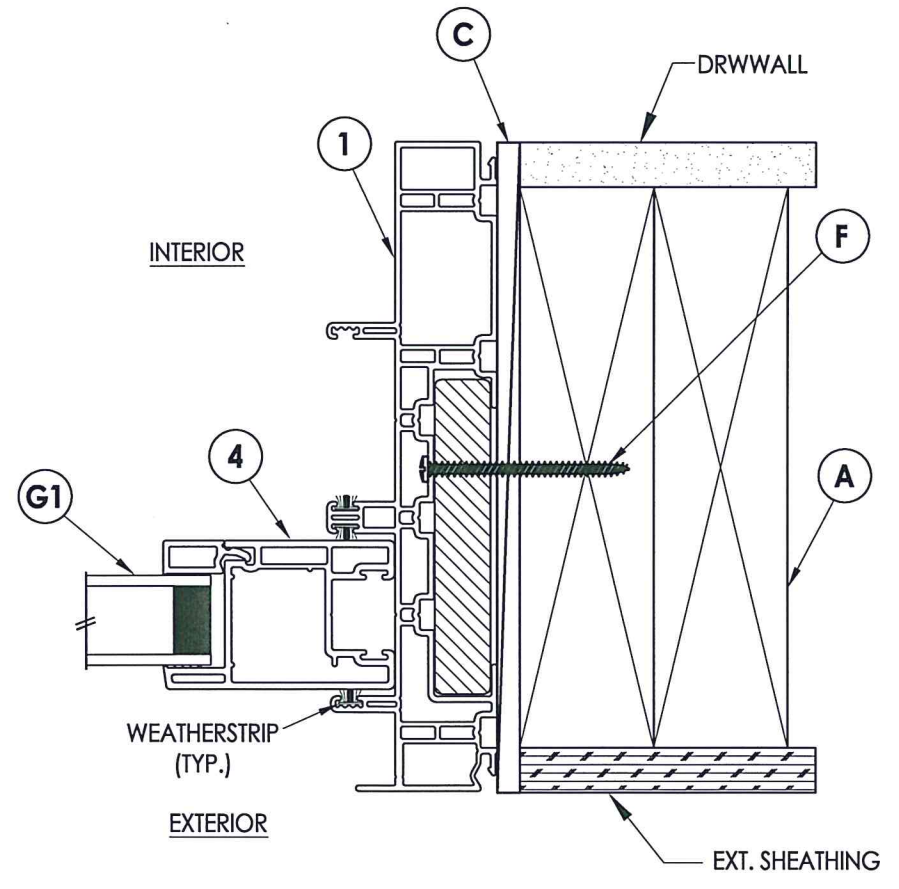
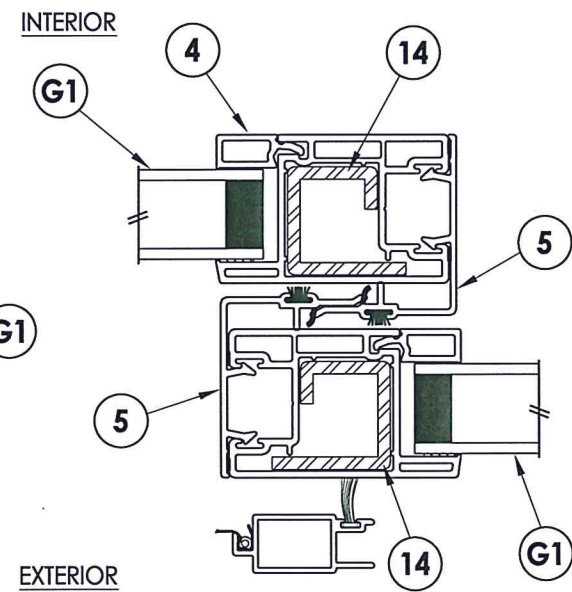
TEXAS BOARD OF PROFESSIONAL ENGINEERS
CERTIFICATE OF REGISTRATION # F-11852

PRODUCT:	NOVATECH PATIO DOOR				
PART OR ASSEMBLY:	TYPICAL ELEVATION, DESIGN PRESSURES & GENERAL NOTES				
NO.	DATE	UPDATE	CONCRETE ANCHOR TYPE	LFS	BY
1	5/25/21				
REVISIONS					
DATE: 3/05/20					
SCALE: N.T.S.					
DWG. BY: LFS					
CHK. BY: RW					
DRAWING NO.: TX-4990					
SHEET 1 OF 5					



1
2

HORIZONTAL CROSS SECTION



2
2

HORIZONTAL CROSS SECTION

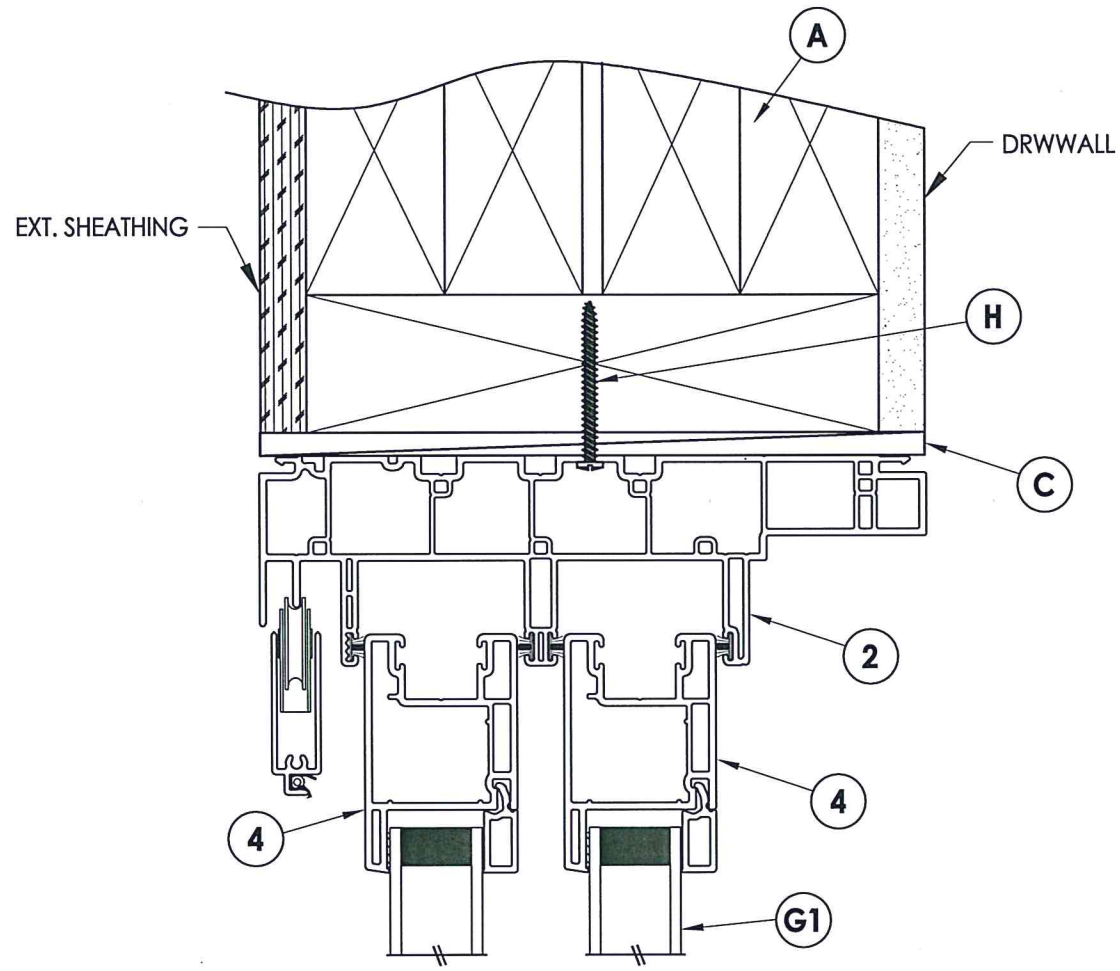


Documents Prepared By: Lyndon F. Schmidt, P.E.
TEXAS P.E. #104123

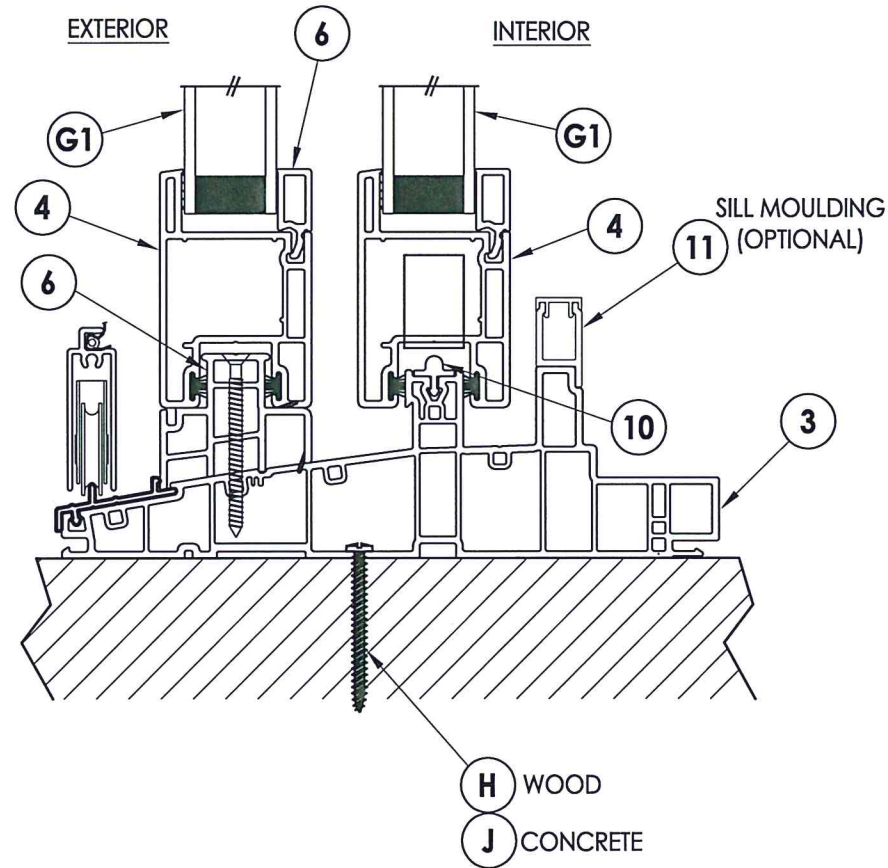
RW BUILDING CONSULTANTS, INC.
P.O. Box 230 Valrico FL, 33595
Phone No.: 813.659.9197

TEXAS BOARD OF PROFESSIONAL ENGINEERS
CERTIFICATE OF REGISTRATION # F-11852

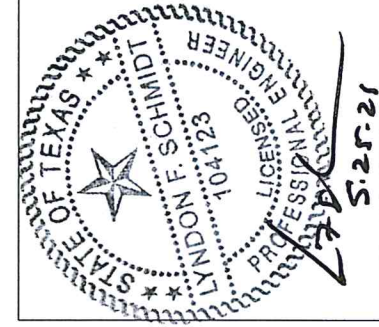
PRODUCT:		NOVATECH PATIO DOOR	
PART OR ASSEMBLY:		HORIZONTAL CROSS SECTIONS	
NO.	DATE	UPDATE CONCRETE ANCHOR TYPE	REVISIONS
1	5/25/21		LFS BY
DATE:		3/05/20	
SCALE:		N.T.S.	
DWG. BY:		LFS	
CHK. BY:		RW	
DRAWING NO.:		TX-4990	
SHEET		2 OF 5	



1
3 VERTICAL CROSS SECTION



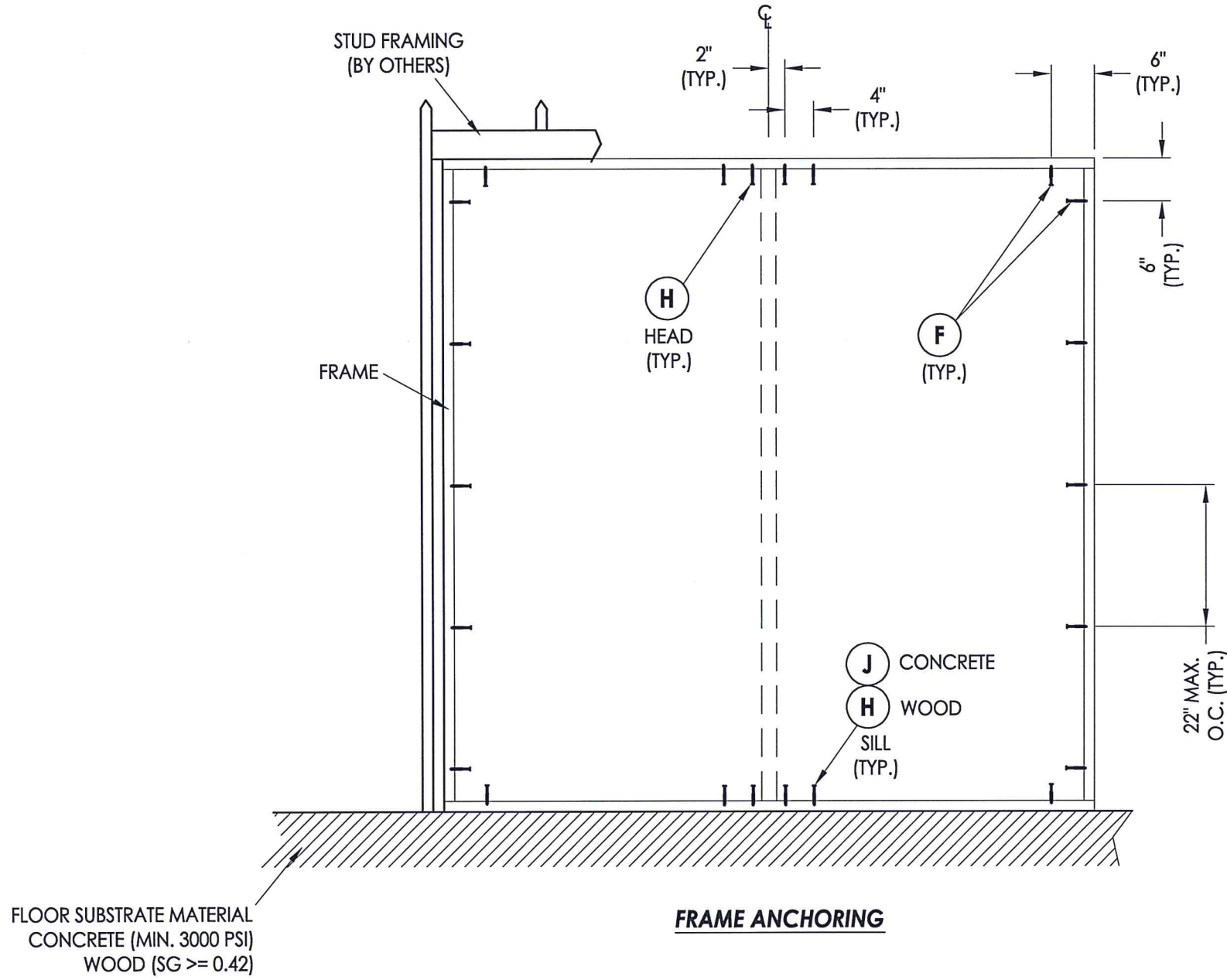
2
3 VERTICAL CROSS SECTION



Documents Prepared By: Lyndon F. Schmidt, P.E.
TEXAS P.E. #104123

RW BUILDING CONSULTANTS, INC.
P.O. Box 230 Valrico FL, 33595
Phone No.: 813.659.9197
TEXAS BOARD OF PROFESSIONAL ENGINEERS
CERTIFICATE OF REGISTRATION # F-11852

PRODUCT: NOVATECH PATIO DOOR		PART OR ASSEMBLY: VERTICAL CROSS SECTIONS	
NO.	DATE	UPDATE CONCRETE ANCHOR TYPE	REVISIONS
1	5/25/21	LFS	BY
DATE: 3/05/20		SCALE: N.T.S.	
DWG. BY: LFS		CHK. BY: RW	
DRAWING NO.: TX-4990		SHEET 3 OF 5	



FRAME ANCHORING

FLOOR SUBSTRATE MATERIAL
 CONCRETE (MIN. 3000 PSI)
 WOOD (SG >= 0.42)

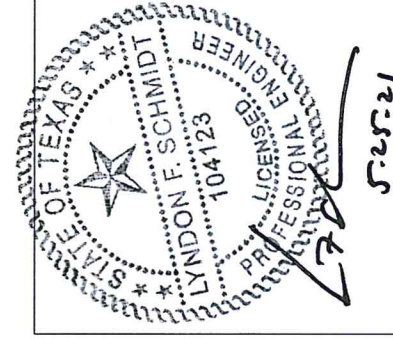
CONCRETE ANCHOR NOTES:

1. Concrete anchor locations at the corners may be adjusted to maintain the min. edge distance to mortar joints.
2. Concrete anchor locations noted as "MAX. ON CENTER" must be adjusted to maintain the min. edge distance to mortar joints, additional concrete anchors may be required to ensure the "MAX. ON CENTER" dimension are not exceeded.
3. Concrete anchor table:

ANCHOR TYPE	ANCHOR SIZE	MIN. EMBEDMENT	MIN. CLEARANCE TO MASONRY EDGE	MIN. CLEARANCE TO ADJACENT ANCHOR
ITW TAPCON®	1/4"	1-3/4"	1-1/2"	4"
DeWALT ULTRACON®+	1/4"	1-3/4"	1"	4"

WOOD SCREW INSTALLATION NOTES:

1. Maintain a minimum 5/8" edge distance, 1" end distance, & 1" o.c. spacing of wood screws to prevent the splitting of wood.



Documents Prepared By: Lyndon F. Schmidt, P.E.
 TEXAS P.E. #104123

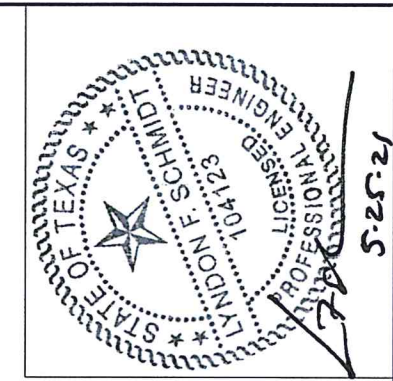
RW BUILDING CONSULTANTS, INC.
 P.O. Box 230 Vairico FL, 33595
 Phone No.: 813.659.9197
 TEXAS BOARD OF PROFESSIONAL ENGINEERS
 CERTIFICATE OF REGISTRATION # F-11852

PRODUCT: NOVATECH PATIO DOOR	
PART OR ASSEMBLY: BUCK & FRAME ANCHORING	
NO.	DATE
1	5/25/21
REVISIONS	
DATE: 3/05/20	
SCALE: N.T.S.	
DWG. BY: LFS	
CHK. BY: RW	
DRAWING NO.: TX-4990	
SHEET 4 OF 5	

BILL OF MATERIALS

ITEM #	DESCRIPTION	MATERIAL
A	2X FRAMING (SG >= 0.42)	WOOD
C	1/4" MAX. SHIM SPACE	-
F	#8 X 2-1/2" PPH SMS (1-1/8" MIN. EMBEDMENT)	STEEL
H	#8 X 1-3/4" PPH SMS (1-3/8" MIN. EMBEDMENT)	STEEL
J	1/4" PFH DeWALT OR ITW CONCRETE SCREW (1-3/4" MIN. EMBEDMENT)	STEEL
1	FRAME (7.25)*	PVC
2	HEAD (7.25)*	PVC
3	SILL (7.19)*	PVC
4	SASH*	PVC
5	MEETING STILE INTERLOCK*	PVC
6	FIXED SASH SUPPORT*	PVC
9	GLAZING BEAD*	PVC
10	ALUMINUM RAIL	ALUM
11	SILL MOULDING*	PVC
14	REINFORCEMENT (MEETING STILE)	STEEL
15	REINFORCEMENT (HANDLE)	STEEL

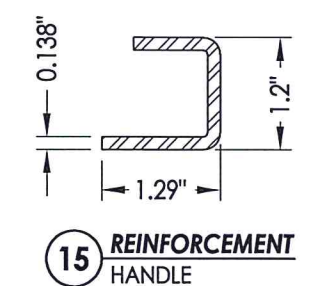
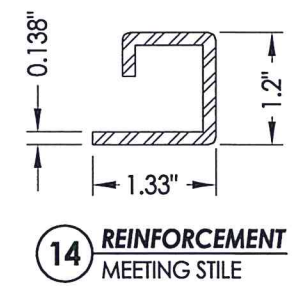
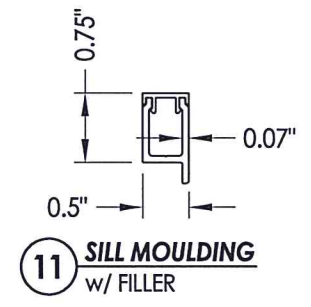
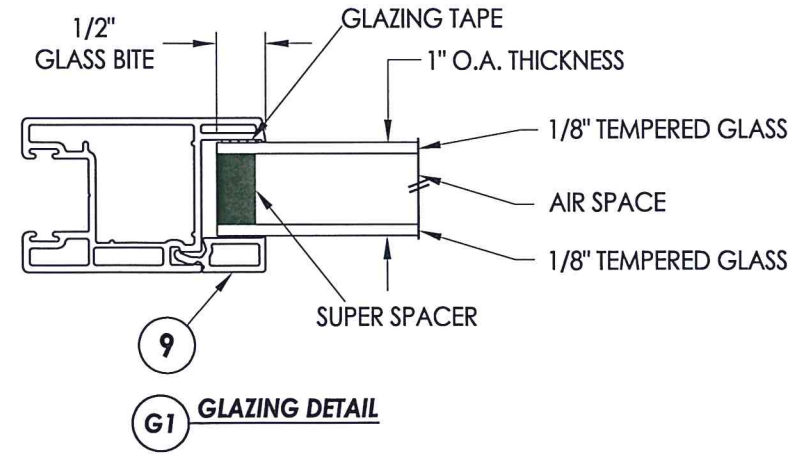
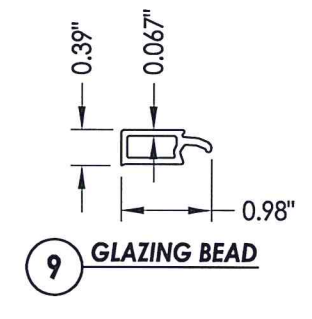
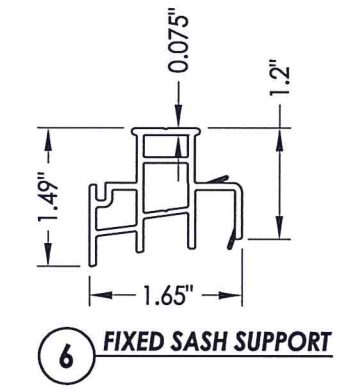
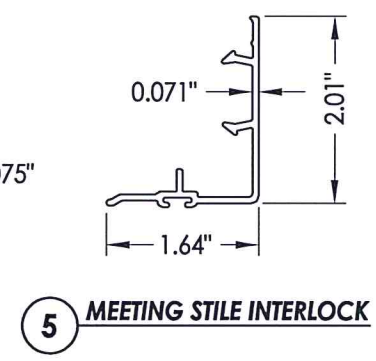
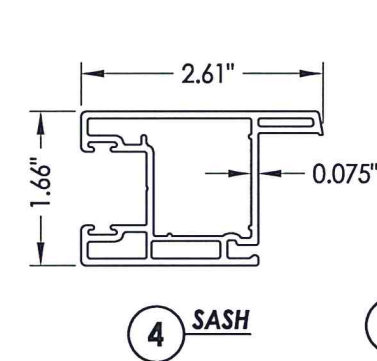
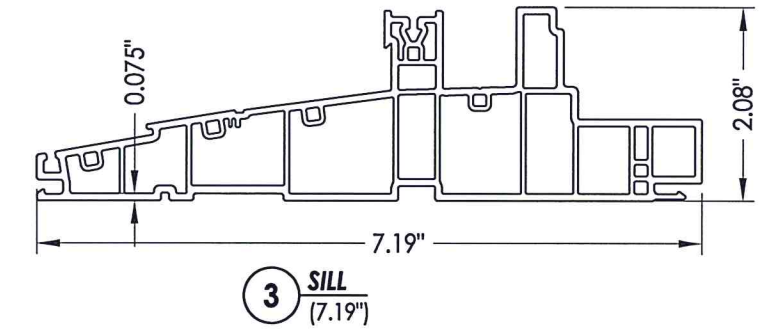
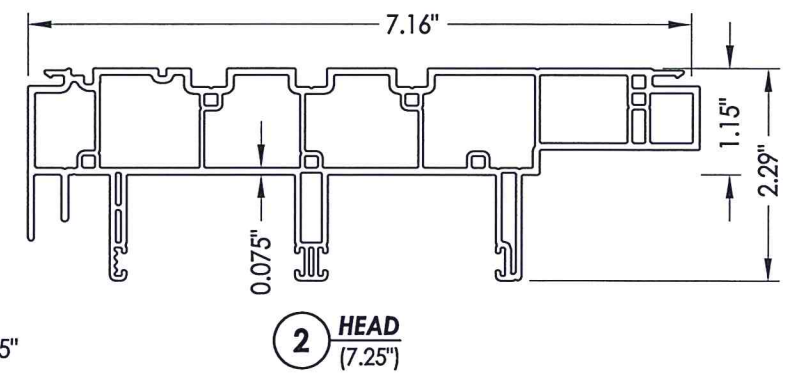
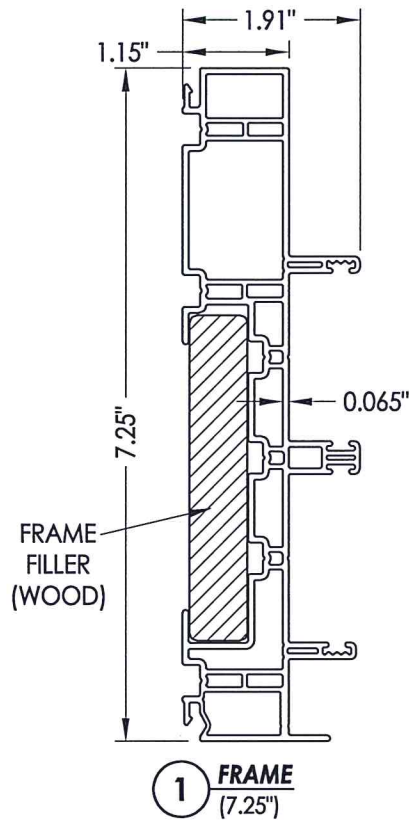
* THE APPROVED WHITE RIGID PVC EXTRUSIONS FOR WINDOWS ARE TO BE PRODUCED BY EXTRUDERS LICENSEES IN "CERTIFICATIONS PROGRAMS FOR RIGID PVC EXTRUSIONS".



Documents Prepared By: Lyndon F. Schmidt, P.E.
TEXAS P.E. #104123

R.W. BUILDING CONSULTANTS, INC.
P.O. Box 230 Valrico FL, 33595
Phone No.: 813.659.9197

TEXAS BOARD OF PROFESSIONAL ENGINEERS
CERTIFICATE OF REGISTRATION # F-11852



PRODUCT: NOVATECH PATIO DOOR
PART OR ASSEMBLY: BILL OF MATERIALS, GLAZING DETAILS & COMPONENTS

NO.	DATE	UPDATE	CONCRETE ANCHOR TYPE	LFS	BY
1	5/25/21				

DATE: 3/05/20
SCALE: N.T.S.
DWG. BY: LFS
CHK. BY: RW
DRAWING NO.: TX-4990
SHEET 5 OF 5