

REVISIONS			
REV	DESCRIPTION	DATE	APPROVED
A	REVISED PER NEW REQUIREMENTS	02/27/2020	R.L.

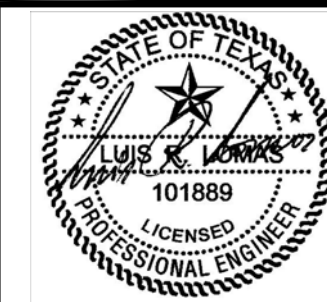
NOTES:

1. THE PRODUCT SHOWN HEREIN IS DESIGNED AND MANUFACTURED TO COMPLY WITH REQUIREMENTS OF THE 2018 IBC AND THE 2018 IRC
2. WOOD FRAMING AND MASONRY OPENING TO BE DESIGNED AND ANCHORED TO PROPERLY TRANSFER ALL LOADS TO STRUCTURE. FRAMING AND MASONRY OPENING IS THE RESPONSIBILITY OF THE ARCHITECT OR ENGINEER OF RECORD.
3. 1X BUCK OVER MASONRY/CONCRETE IS OPTIONAL.
4. WHERE SHIM OR BUCK THICKNESS IS LESS THAN 1-1/2" WINDOW UNITS MUST BE ANCHORED THROUGH THE FRAME IN ACCORDANCE WITH MANUFACTURER'S PUBLISHED INSTALLATION INSTRUCTIONS. ANCHORS SHALL BE SECURELY FASTENED DIRECTLY INTO MASONRY, CONCRETE OR OTHER STRUCTURAL SUBSTRATE MATERIAL.
5. WHERE WOOD BUCK THICKNESS IS 1-1/2" OR GREATER, BUCK SHALL BE SECURELY FASTENED TO MASONRY, CONCRETE OR OTHER STRUCTURAL SUBSTRATE. WINDOW UNITS MAY BE ANCHORED THROUGH FRAME TO SECURED WOOD BUCK IN ACCORDANCE WITH MANUFACTURER'S PUBLISHED INSTALLATION INSTRUCTIONS.
6. WHERE 1X BUCK IS NOT USED DISSIMILAR MATERIALS MUST BE SEPARATED WITH APPROVED COATING OR MEMBRANE. SELECTION OF COATING OR MEMBRANE IS THE RESPONSIBILITY OF THE ARCHITECT OR ENGINEER OF RECORD.
7. BUCKS SHALL EXTEND BEYOND WINDOW INTERIOR FACE SO THAT FULL FRAME SUPPORT IS PROVIDED.
8. SHIM AS REQUIRED AT EACH ANCHOR LOCATION WITH LOAD BEARING SHIM. SHIM WHERE SPACE OF 1/16" OR GREATER OCCURS. MAXIMUM ALLOWABLE SHIM STACK TO BE 1/4".
9. SHIMS SHALL BE LOCATED, APPLIED AND MADE FROM MATERIALS AND THICKNESS CAPABLE OF SUSTAINING APPLICABLE LOADS.
10. WIND LOAD DURATION FACTOR Cd=1.6 WAS USED FOR WOOD ANCHOR CALCULATIONS.
11. FRAME MATERIAL: COMPOSITE.
12. UNITS MUST BE GLAZED PER ASTM E1300-04/09, WITH SAFETY GLAZING, SEE SHEET 16 FOR APPROVED CONFIGURATIONS.
13. APPROVED IMPACT PROTECTIVE SYSTEM IS NOT REQUIRED FOR THIS PRODUCT IN WIND BORNE DEBRIS REGIONS.
14. FOR ANCHORING INTO WOOD FRAMING OR 2X BUCK USE #10 WOOD SCREWS WITH SUFFICIENT LENGTH TO ACHIEVE A 1 1/4" MINIMUM EMBEDMENT INTO SUBSTRATE. LOCATE ANCHORS AS SHOWN IN ELEVATIONS AND INSTALLATION DETAILS.
15. FOR ANCHORING INTO MASONRY/CONCRETE USE 3/16" TAPCONS WITH SUFFICIENT LENGTH TO ACHIEVE A 1 3/4" MINIMUM EMBEDMENT INTO SUBSTRATE WITH 1 1/8" MINIMUM EDGE DISTANCE. LOCATE ANCHORS AS SHOWN IN ELEVATIONS AND INSTALLATION DETAILS.
16. FOR ANCHORING INTO METAL STRUCTURE USE #10 SMS OR SELF DRILLING SCREWS WITH SUFFICIENT LENGTH TO ACHIEVE 3 THREADS MINIMUM BEYOND STRUCTURE INTERIOR WALL. LOCATE ANCHORS AS SHOWN IN ELEVATIONS AND INSTALLATION DETAILS.
17. ALL FASTENERS TO BE CORROSION RESISTANT.
18. INSTALLATION ANCHORS SHALL BE INSTALLED IN ACCORDANCE WITH ANCHOR MANUFACTURER'S INSTALLATION INSTRUCTIONS AND ANCHORS SHALL NOT BE USED IN SUBSTRATES WITH STRENGTHS LESS THAN THE MINIMUM STRENGTH SPECIFIED BELOW:
  - A. WOOD – MINIMUM SPECIFIC GRAVITY OF G=0.42
  - B. CONCRETE – MINIMUM COMPRESSIVE STRENGTH OF 3,192 PSI.
  - C. MASONRY – STRENGTH CONFORMANCE TO ASTM C-90, GRADE N, TYPE 1 (OR GREATER).
  - D. METAL STRUCTURE: STEEL 18GA, 33KSI OR ALUMINUM 6063-T5 .125" THICK MINIMUM
19. APPROVED CONFIGURATIONS: X, X/O, O/X, OX, XO, OX/O, XO/O, XX, XX/O, O/XX, OXX, XXO, OXX/O AND O/XXO, SEE SHEET 3.
20. SIDELITES ARE ASSEMBLED TO FRAME WITH #10 X 3" WOOD SCREWS LOCATED 4" FROM EACH END AND 23 1/8" MAX O.C. THEREAFTER AT JAMBS AND 4" FROM EACH END AND ONE AT MIDSPAN AT HEAD AND SILL.

SIGNED: 04/20/2020

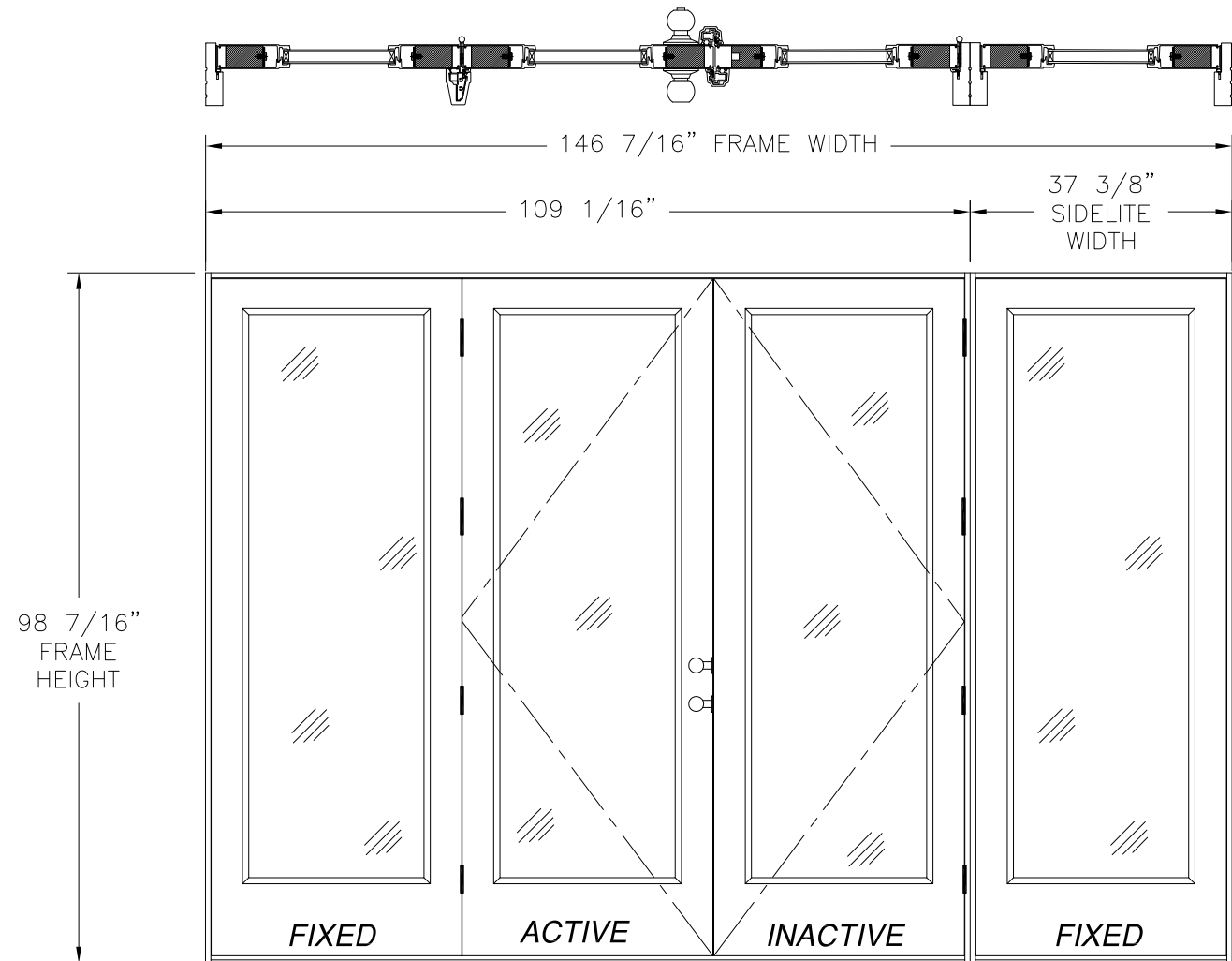
TABLE OF CONTENTS	
SHEET NO.	DESCRIPTION
1	NOTES
2	ELEVATION
3	APPROVED CONFIGURATIONS
4 - 5	ANCHORING LAYOUTS
6 - 14	INSTALLATION DETAILS
15 - 16	COMPONENTS AND GLAZING DETAILS
17	APPROVED PANEL CONFIGURATIONS

NAN YA PLASTICS CORPORATION U.S.A. 8989 NORTH LOOP EAST HOUSTON, TX 77029		
SERIES "SLPS" GLAZED FIBERGLASS INSWING PATIO DOOR LITE W/SIDELITES - IMPACT NOTES		
DRAWN: A.R.	DWG NO. 08-03502	REV A
SCALE NTS	DATE 10/21/19	SHEET 1 OF 17
L. ROBERTO LOMAS P.E. 1432 WOODFORD RD LEWISVILLE, NC 27023 434-688-0609 rllomas@rlomaspe.com		



Luis R. Lomas P.E.  
TX No.: 101889

REVISIONS			
REV	DESCRIPTION	DATE	APPROVED
A	REVISED PER NEW REQUIREMENTS	02/27/2020	R.L.



- NOTES:
- PANEL SIZE: 35 3/4" X 95 1/4"
  - D.L.O.: 25" X 79"

APPROVED HARDWARE		
MANUFACTURER	MODEL	
Kwikset	KNOB:	SIGNATURE SERIES
	DEADBOLT:	SIGNATURE SERIES (980)
Schlage	KNOB:	F SERIES
	DEADBOLT:	B SERIES

**SERIES SLPS INSWING PATIO DOOR LITE W/SIDELITES**  
EXTERIOR VIEW

DESIGN PRESSURE RATING	IMPACT RATING
±50PSF	LARGE AND SMALL MISSILE IMPACT

MISSILE LEVEL D, WIND ZONE 4  
WHERE WATER PENETRATION RESISTANCE IS NOT REQUIRED

DESIGN PRESSURE RATING	IMPACT RATING
+30.0/-50.0PSF	LARGE AND SMALL MISSILE IMPACT

MISSILE LEVEL D, WIND ZONE 4  
WHERE WATER PENETRATION RESISTANCE IS REQUIRED

(4) PANELS SHOWN, UNLIMITED NUMBER OF PANELS IN UNLIMITED CONFIGURATIONS ARE APPROVED AS LONG AS INDIVIDUAL PANEL AREA DOES NOT EXCEED 23.64 FT<sup>2</sup>

HARDWARE SCHEDULE	
A.	HANDLE SETS AT ACTIVE PANEL
B.	STAINLESS STEEL FLUSH BOLT BAR WITH STRIKE PLATES AT PASSIVE PANEL
C.	FLUSH BOLT MECHANISM (DIE CAST, STEEL, POM) AT PASSIVE PANEL
D.	STEEL DEADBOLT WITH KEEPER AT ACTIVE PANEL
E.	STEEL LATCH WITH KEEPER AT ACTIVE PANEL
F.	(4) 4X4 DOOR HINGE AT STILE OF ACTIVE AND PASSIVE PANEL
G.	T-ASTRAGAL AT ACTIVE AND PASSIVE PANELS
H.	ALUMINUM REINFORCEMENT (A) AT ASTRAGAL
I.	ALUMINUM MULLION REINFORCEMENT (B) AT INTEGRAL MULLION
J.	STEEL REINFORCEMENT AT ALL VERTICAL STILES
K.	WOOD REINFORCEMENT (A) ON BOTH FIXED, STATIONARY AND ACTIVE PANEL TOP RAILS
L.	WOOD REINFORCEMENT (B) AT PASSIVE PANEL LOCK STILE
M.	WOOD REINFORCEMENT (C) AT HINGE STILES ON ACTIVE AND INACTIVE STILES
N.	WOOD REINFORCEMENT (D) AT AT BOTTOM RAIL

**NAN YA PLASTICS CORPORATION U.S.A.**  
8989 NORTH LOOP EAST  
HOUSTON, TX 77029

SERIES "SLPS" GLAZED FIBERGLASS INSWING PATIO DOOR LITE W/SIDELITES - IMPACT ELEVATION

DRAWN: A.R.	DWG NO. 08-03502	REV A
SCALE NTS	DATE 10/21/19	SHEET 2 OF 17

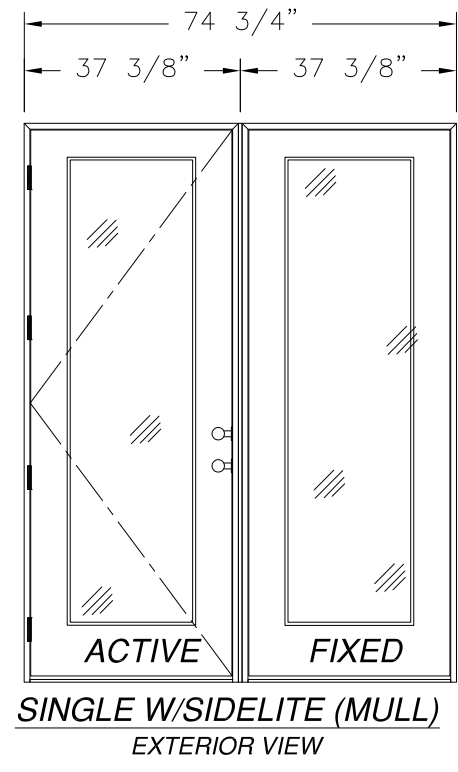
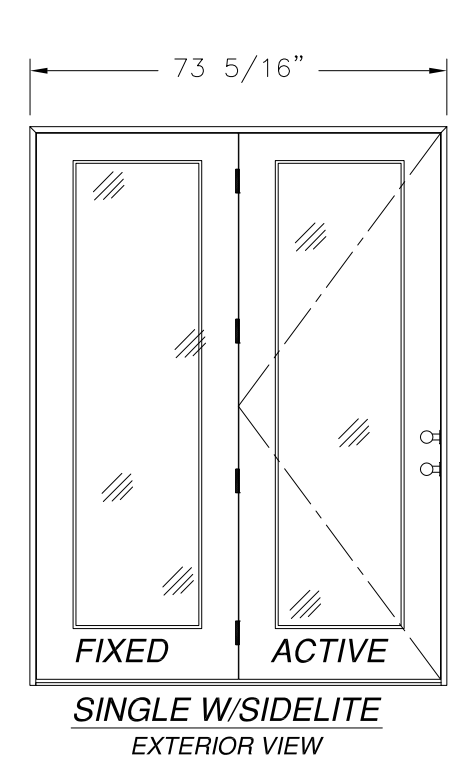
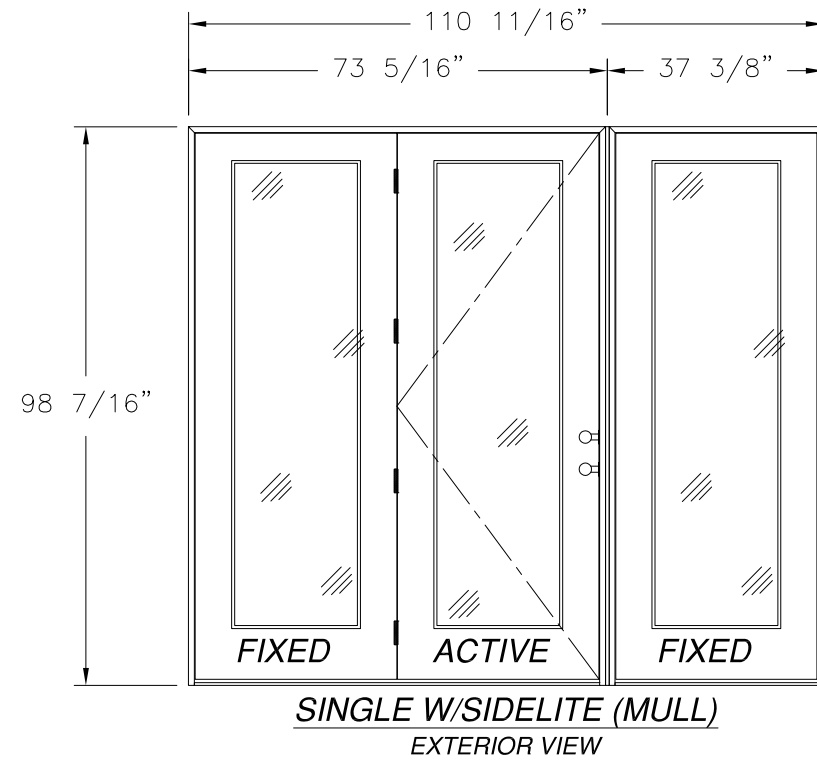
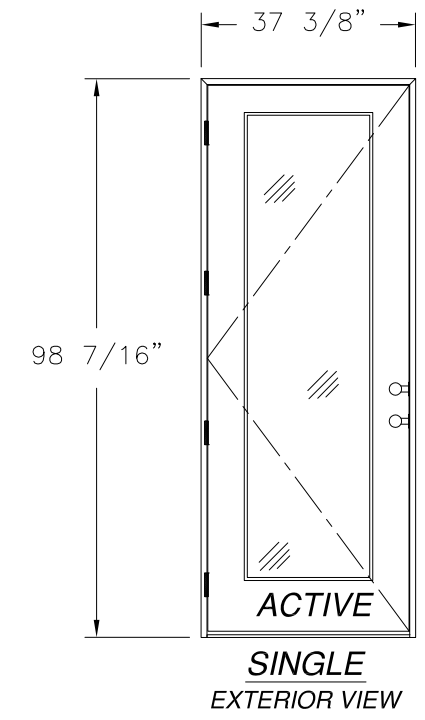
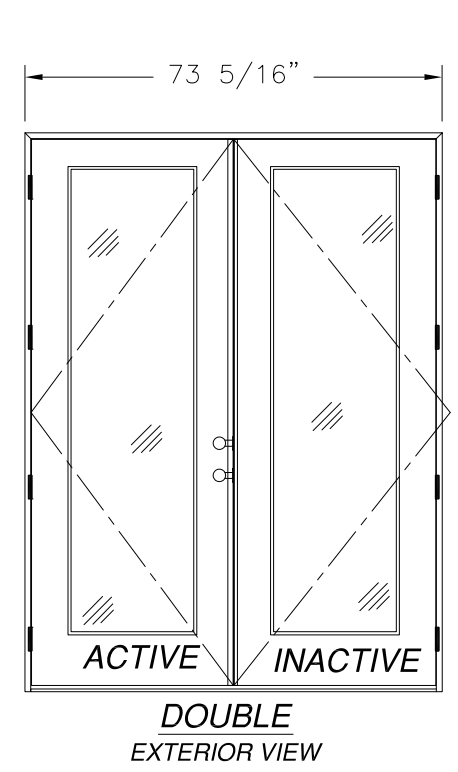
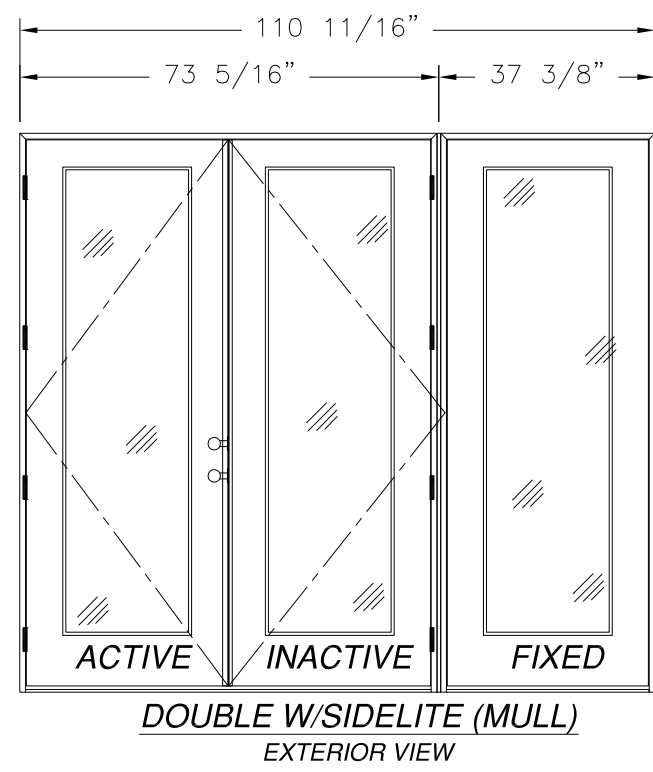
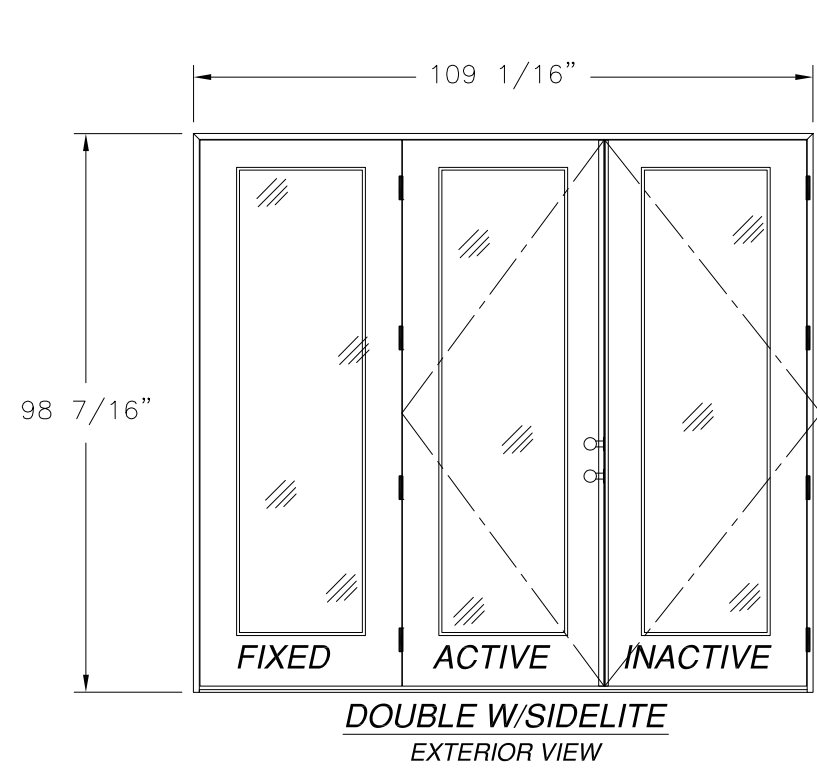
L. ROBERTO LOMAS P.E.  
1432 WOODFORD RD LEWISVILLE, NC 27023  
434-688-0609 rllomas@rlomaspe.com

SIGNED: 04/20/2020



Luis R. Lomas P.E.  
TX No.: 101889

REVISIONS			
REV	DESCRIPTION	DATE	APPROVED
A	REVISED PER NEW REQUIREMENTS	02/27/2020	R.L.



NOTE:  
ALL APPROVED CONFIGURATIONS ARE SHOWN AS LEFT HAND ACTIVE, RIGHT HAND ACTIVE IS ALSO APPROVED.

NAN YA PLASTICS CORPORATION U.S.A.  
8989 NORTH LOOP EAST  
HOUSTON, TX 77029

SERIES "SLPS" GLAZED FIBERGLASS INSWING  
PATIO DOOR LITE W/SIDELITES - IMPACT  
APPROVED CONFIGURATIONS

DRAWN: A.R.	DWG NO. 08-03502	REV A
SCALE NTS	DATE 10/21/19	SHEET 3 OF 17

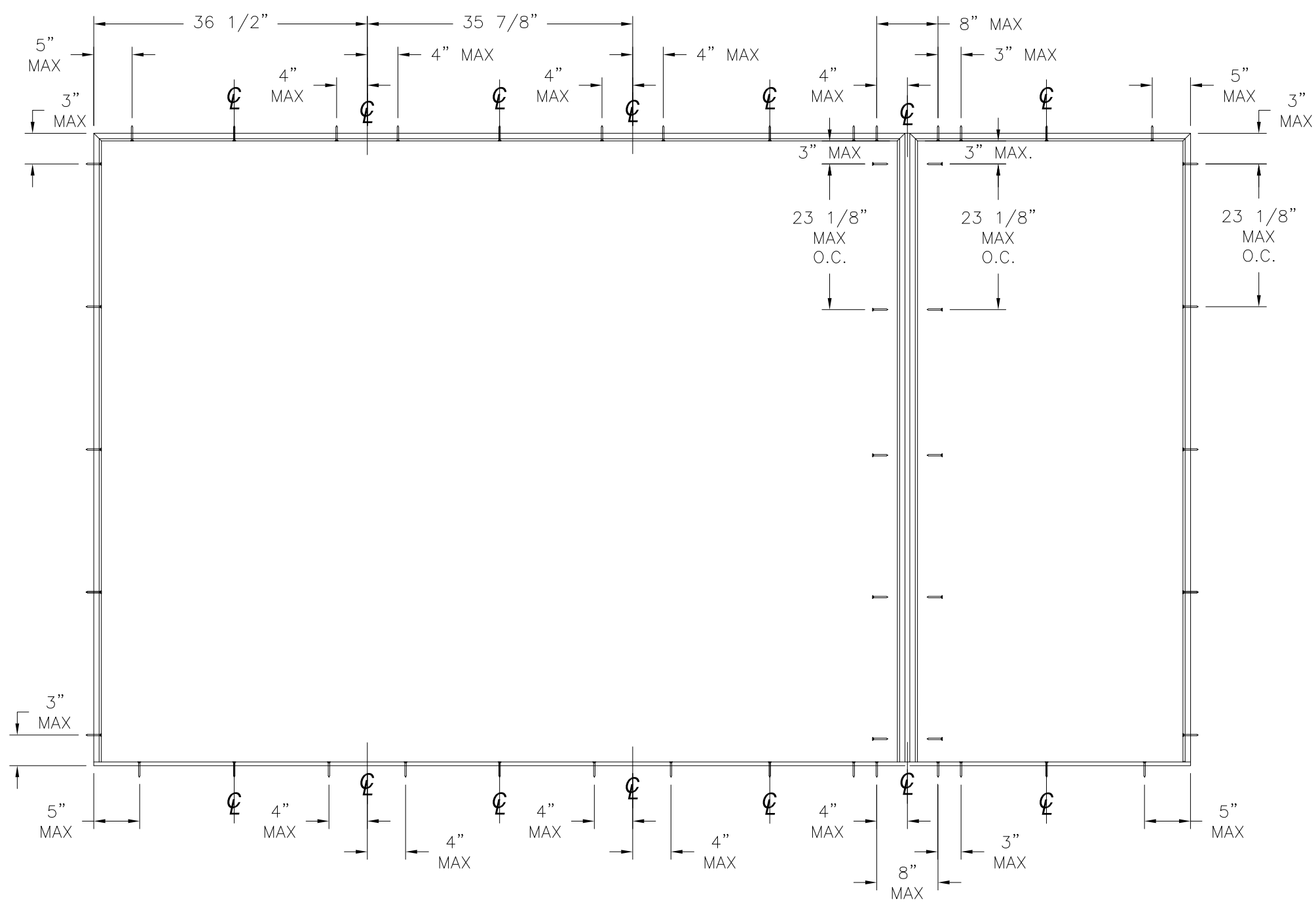
L. ROBERTO LOMAS P.E.  
1432 WOODFORD RD LEWISVILLE, NC 27023  
434-688-0609 rllomas@rlomaspe.com

SIGNED: 04/20/2020



Luis R. Lomas P.E.  
TX No.: 101889

REVISIONS			
REV	DESCRIPTION	DATE	APPROVED
A	REVISED PER NEW REQUIREMENTS	02/27/2020	R.L.



ANCHORING LAYOUT

SIGNED: 04/20/2020

NAN YA PLASTICS CORPORATION U.S.A.  
 8989 NORTH LOOP EAST  
 HOUSTON, TX 77029

SERIES "SLPS" GLAZED FIBERGLASS INSWING  
 PATIO DOOR LITE W/SIDELITES - IMPACT  
 ANCHORING LAYOUT

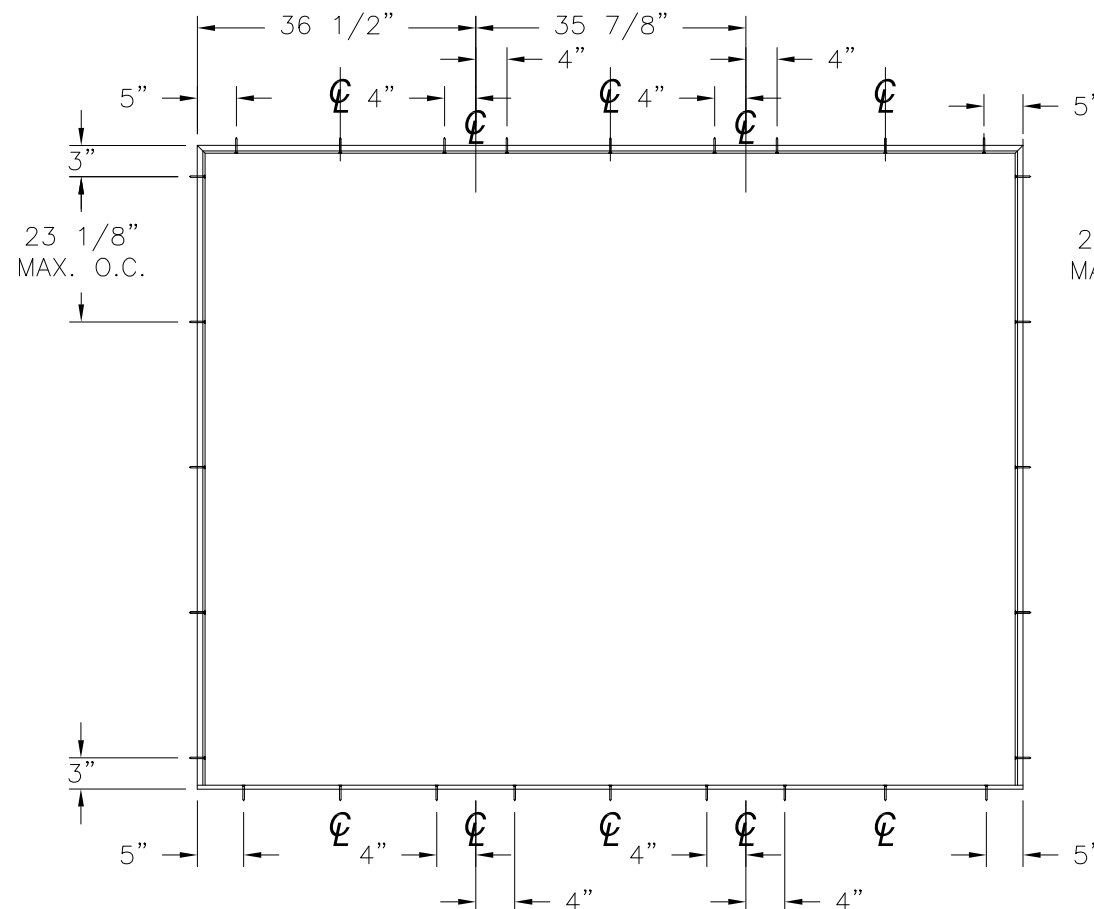
DRAWN: A.R.	DWG NO. 08-03502	REV A
SCALE NTS	DATE 10/21/19	SHEET 4 OF 17

L. ROBERTO LOMAS P.E.  
 1432 WOODFORD RD LEWISVILLE, NC 27023  
 434-688-0609 rllomas@rlomaspe.com

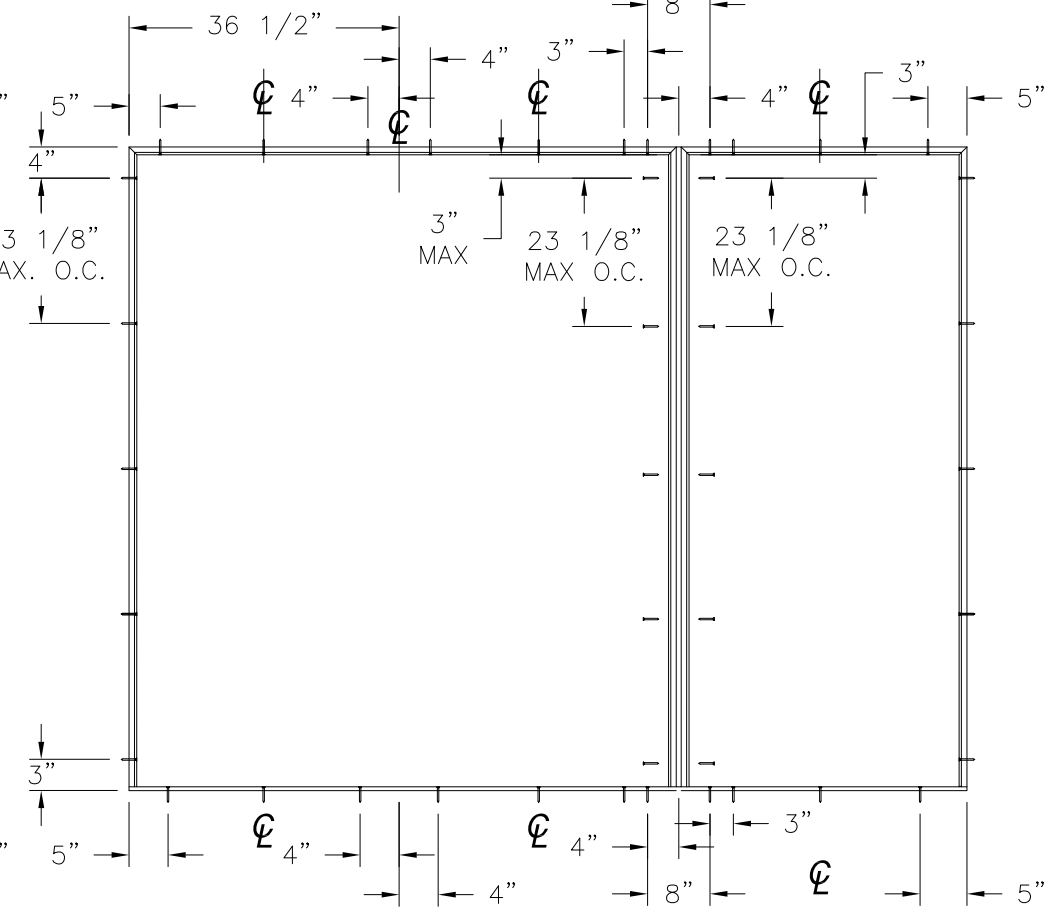


Luis R. Lomas P.E.  
 TX No.: 101889

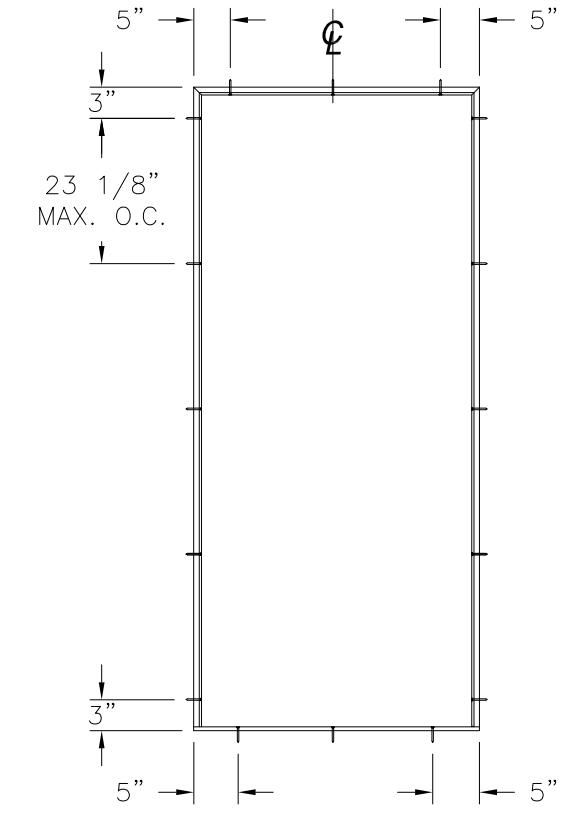
REVISIONS			
REV	DESCRIPTION	DATE	APPROVED
A	REVISED PER NEW REQUIREMENTS	02/27/2020	R.L.



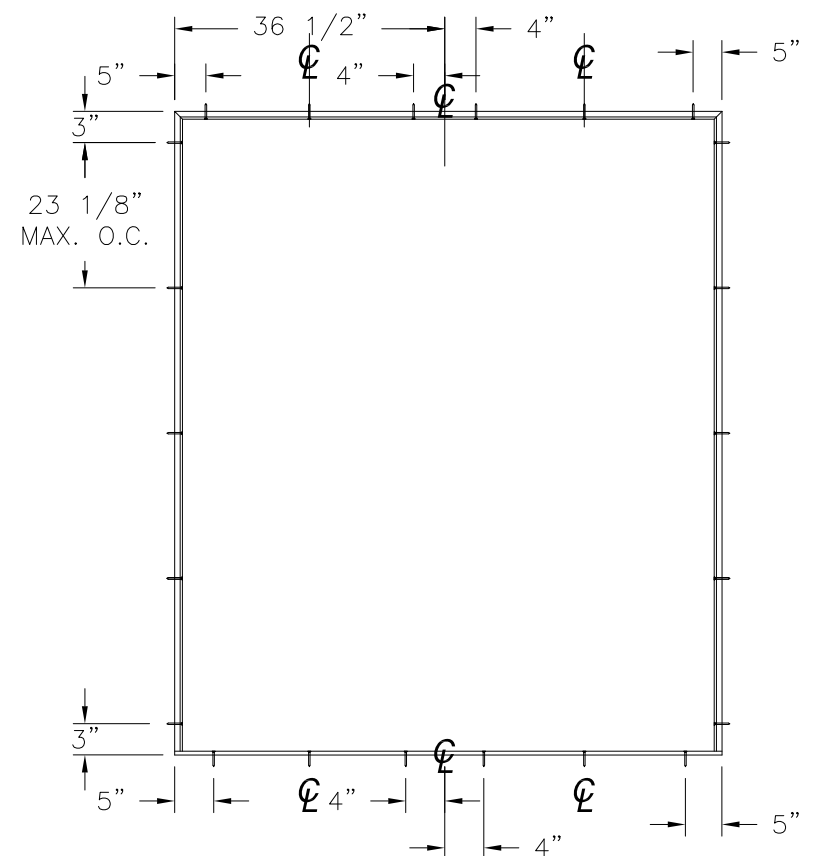
**ANCHORING LAYOUT FOR OXO, XXO AND OXX**



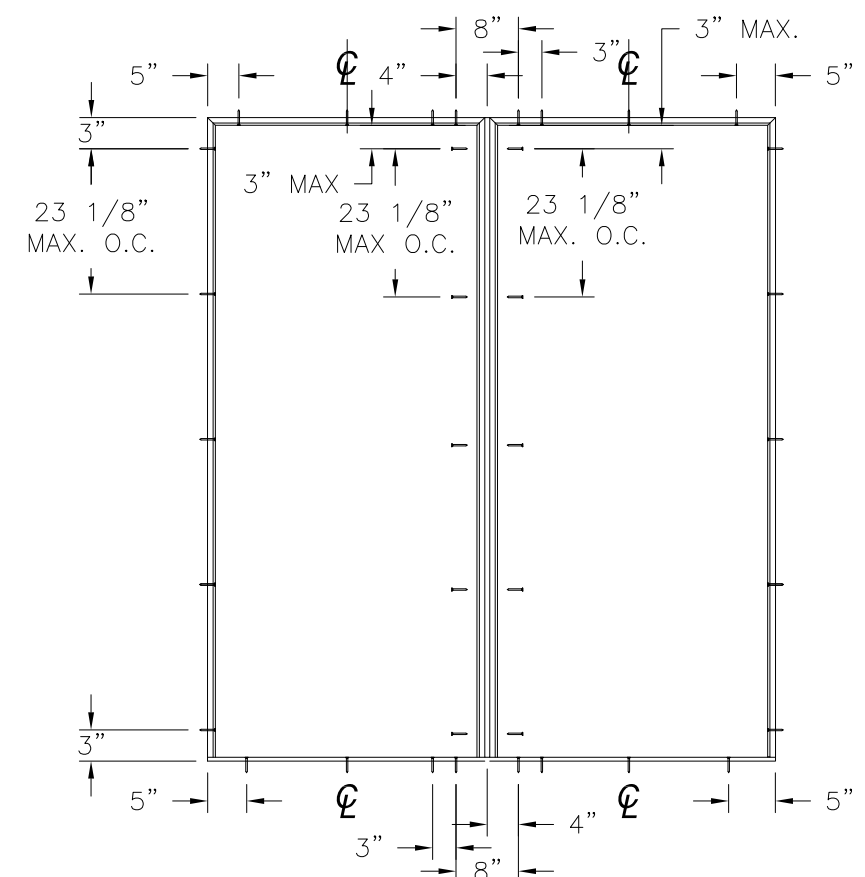
**ANCHORING LAYOUT FOR OXO, XXO AND OXX (MULL)**



**ANCHORING LAYOUT FOR X**



**ANCHORING LAYOUT FOR XX, OX AND XO**



**ANCHORING LAYOUT FOR OX AND XO (MULL)**

NAN YA PLASTICS CORPORATION U.S.A.  
 8989 NORTH LOOP EAST  
 HOUSTON, TX 77029

SERIES "SLPS" GLAZED FIBERGLASS INSWING  
 PATIO DOOR LITE W/SIDELITES - IMPACT  
 ANCHORING LAYOUTS

DRAWN: A.R.	DWG NO. 08-03502	REV A
SCALE NTS	DATE 10/21/19	SHEET 5 OF 17

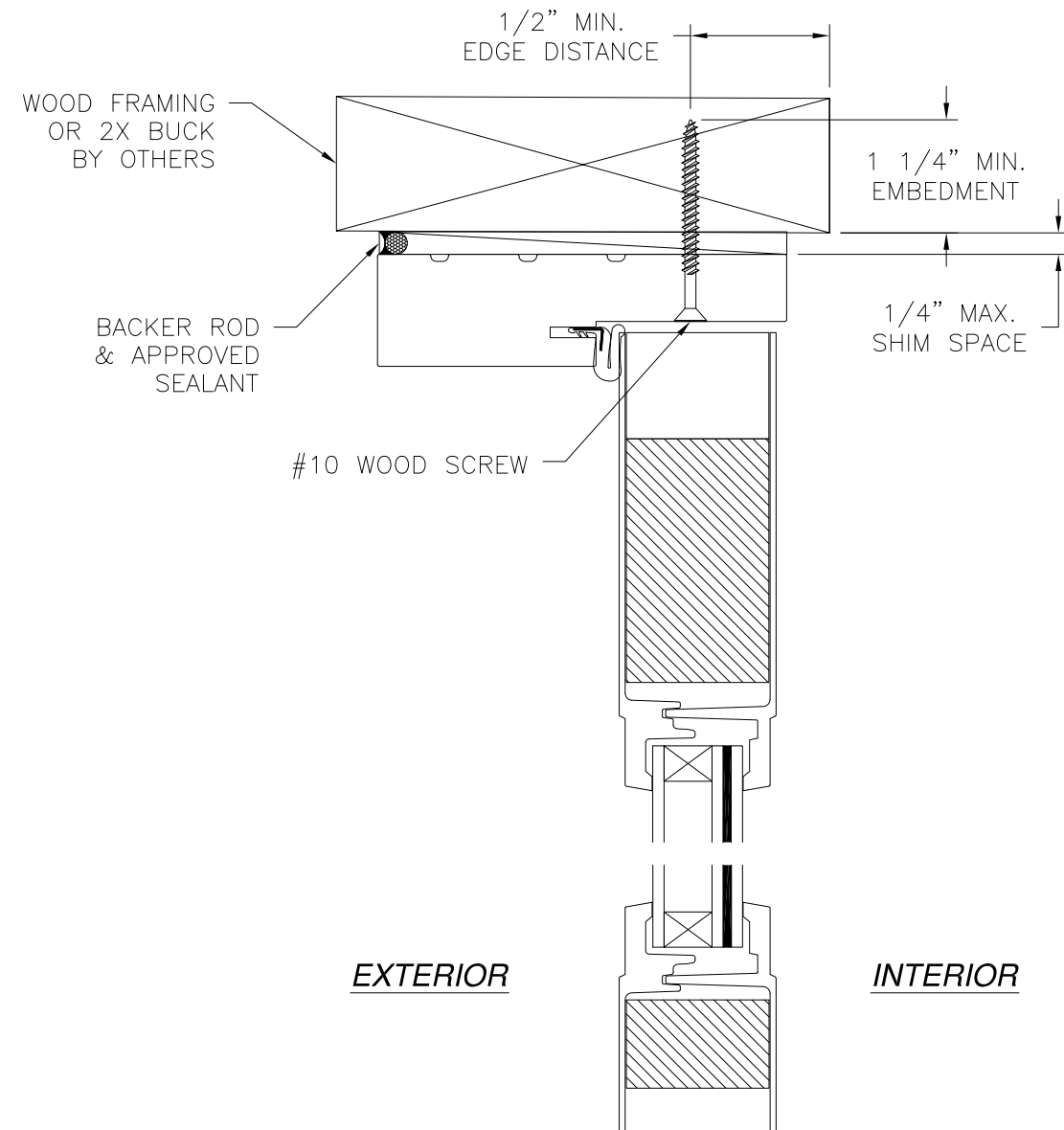
L. ROBERTO LOMAS P.E.  
 1432 WOODFORD RD LEWISVILLE, NC 27023  
 434-688-0609 rllomas@lrlomaspe.com

SIGNED: 04/20/2020



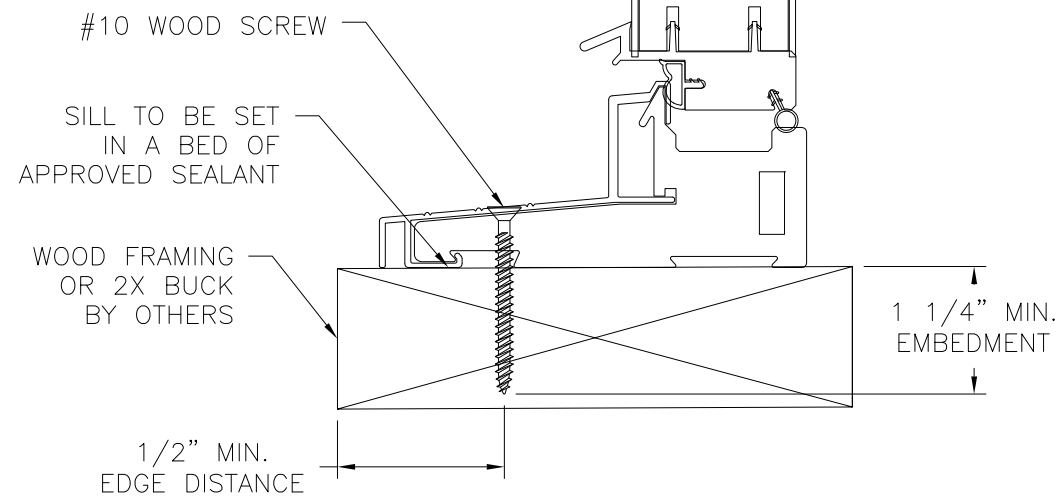
Luis R. Lomas P.E.  
 TX No.: 101889

REVISIONS			
REV	DESCRIPTION	DATE	APPROVED
A	REVISED PER NEW REQUIREMENTS	02/27/2020	R.L.

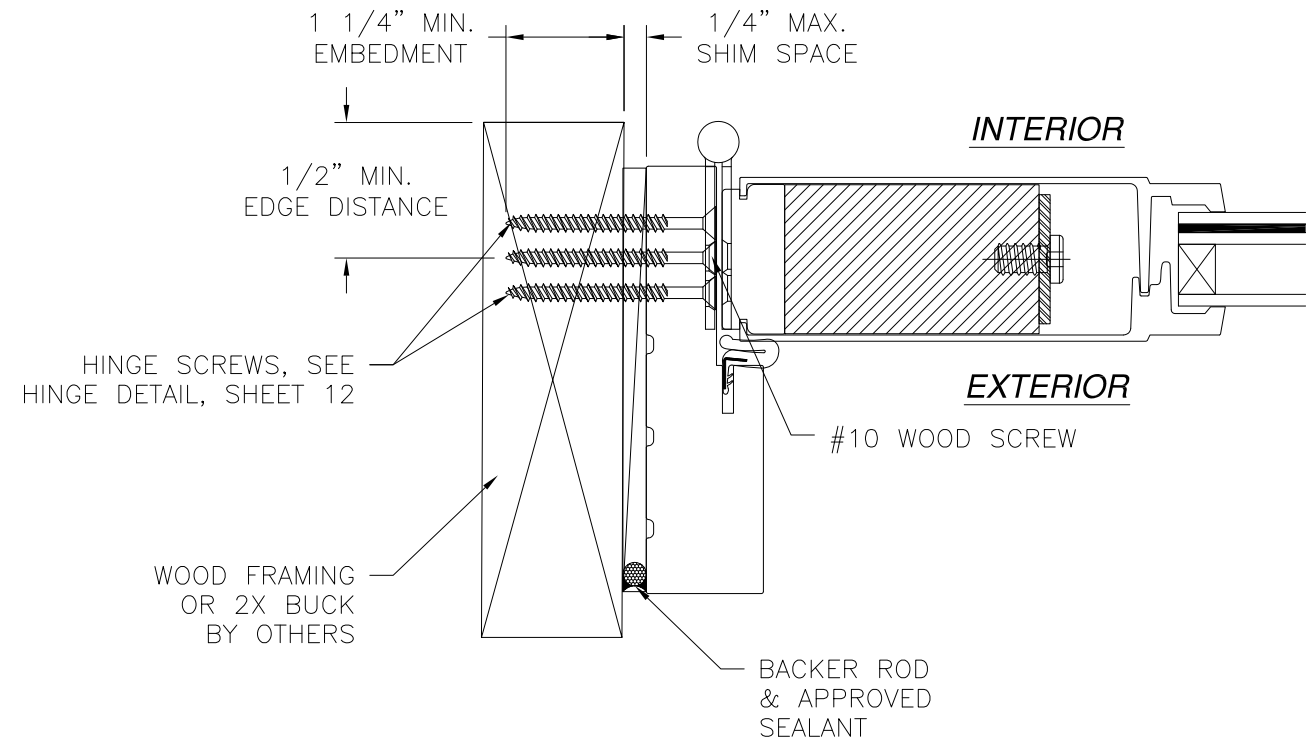


**EXTERIOR**

**INTERIOR**



**DOOR INSTALLATION DETAIL**  
2X BUCK/WOOD FRAMING INSTALLATION



**DOOR INSTALLATION DETAIL**  
WOOD FRAMING OR 2X BUCK INSTALLATION

**NOTES:**

1. INTERIOR AND EXTERIOR FINISHES, BY OTHERS, NOT SHOWN FOR CLARITY.
2. PERIMETER AND JOINT SEALANT BY OTHERS TO BE DESIGNED IN ACCORDANCE WITH ASTM E2112

SIGNED: 04/20/2020

NAN YA PLASTICS CORPORATION U.S.A.  
8989 NORTH LOOP EAST  
HOUSTON, TX 77029

SERIES "SLPS" GLAZED FIBERGLASS INSWING PATIO DOOR LITE W/SIDELITES - IMPACT DOOR INSTALLATION DETAILS

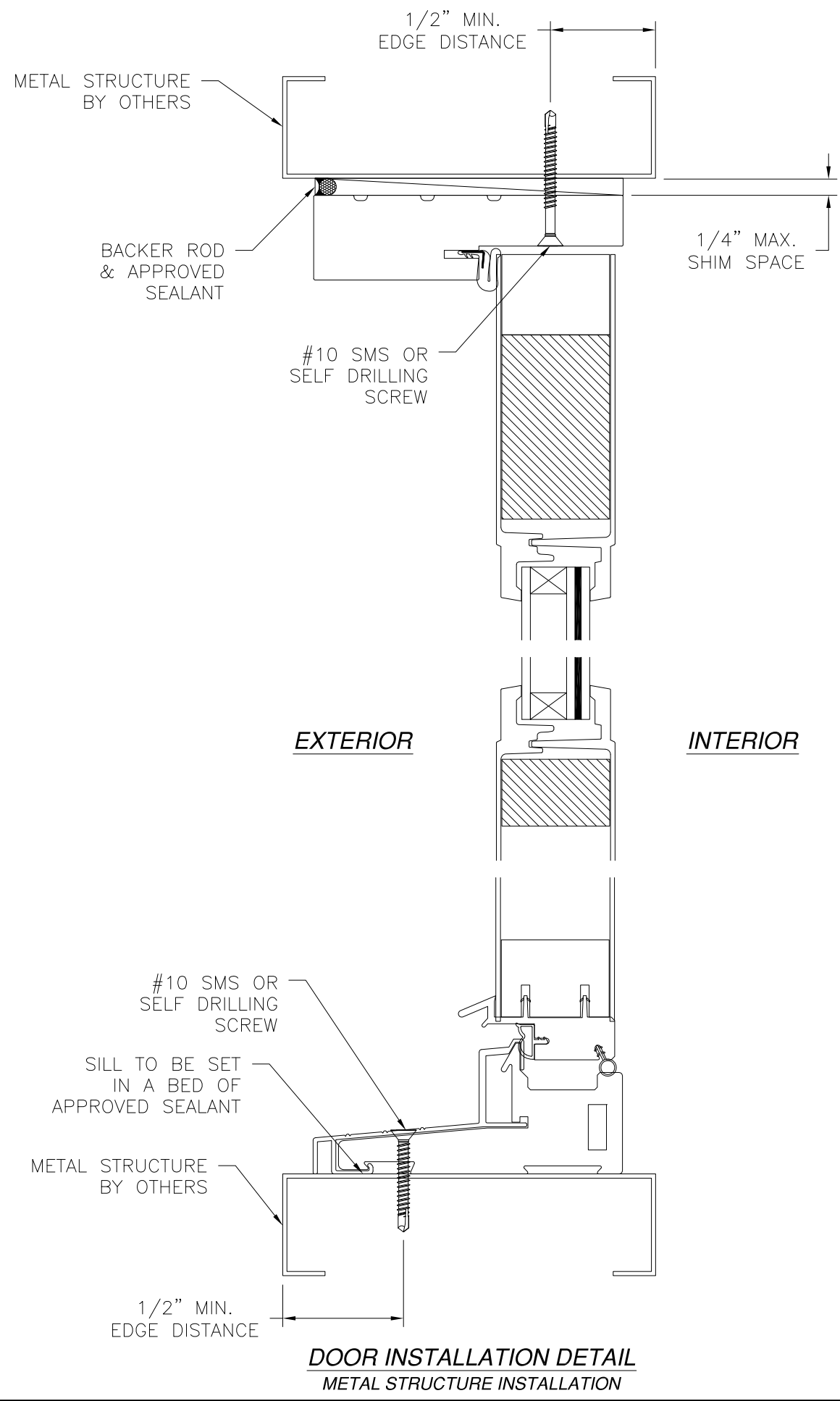
DRAWN: A.R.	DWG NO. 08-03502	REV A
SCALE NTS	DATE 10/21/19	SHEET 6 OF 17

L. ROBERTO LOMAS P.E.  
1432 WOODFORD RD LEWISVILLE, NC 27023  
434-688-0609 rllomas@rlomaspe.com

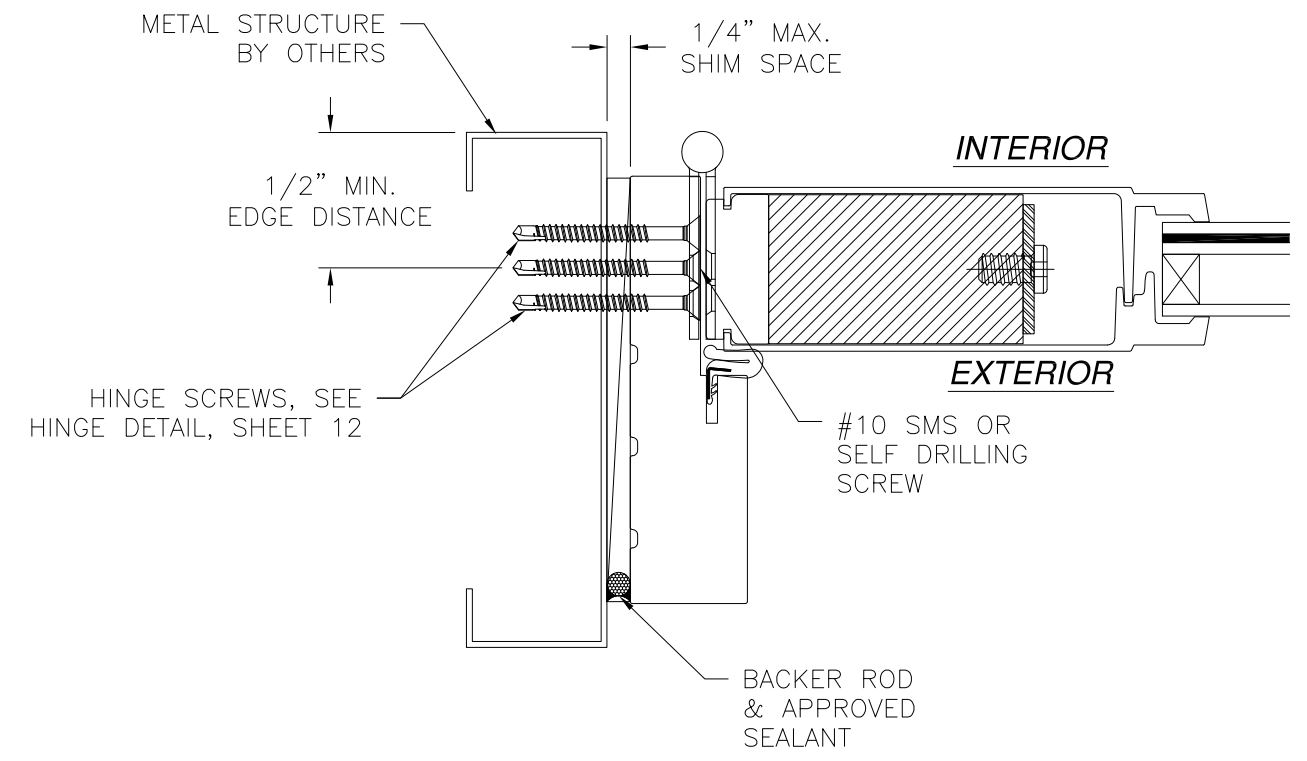


Luis R. Lomas P.E.  
TX No.: 101889

REVISIONS			
REV	DESCRIPTION	DATE	APPROVED
A	REVISED PER NEW REQUIREMENTS	02/27/2020	R.L.



**DOOR INSTALLATION DETAIL**  
METAL STRUCTURE INSTALLATION



**DOOR INSTALLATION DETAIL**  
METAL STRUCTURE INSTALLATION

- NOTES:**
1. INTERIOR AND EXTERIOR FINISHES, BY OTHERS, NOT SHOWN FOR CLARITY.
  2. PERIMETER AND JOINT SEALANT BY OTHERS TO BE DESIGNED IN ACCORDANCE WITH ASTM E2112

SIGNED: 04/20/2020

NAN YA PLASTICS CORPORATION U.S.A.  
8989 NORTH LOOP EAST  
HOUSTON, TX 77029

SERIES "SLPS" GLAZED FIBERGLASS INSWING PATIO DOOR LITE W/SIDELITES - IMPACT DOOR INSTALLATION DETAILS

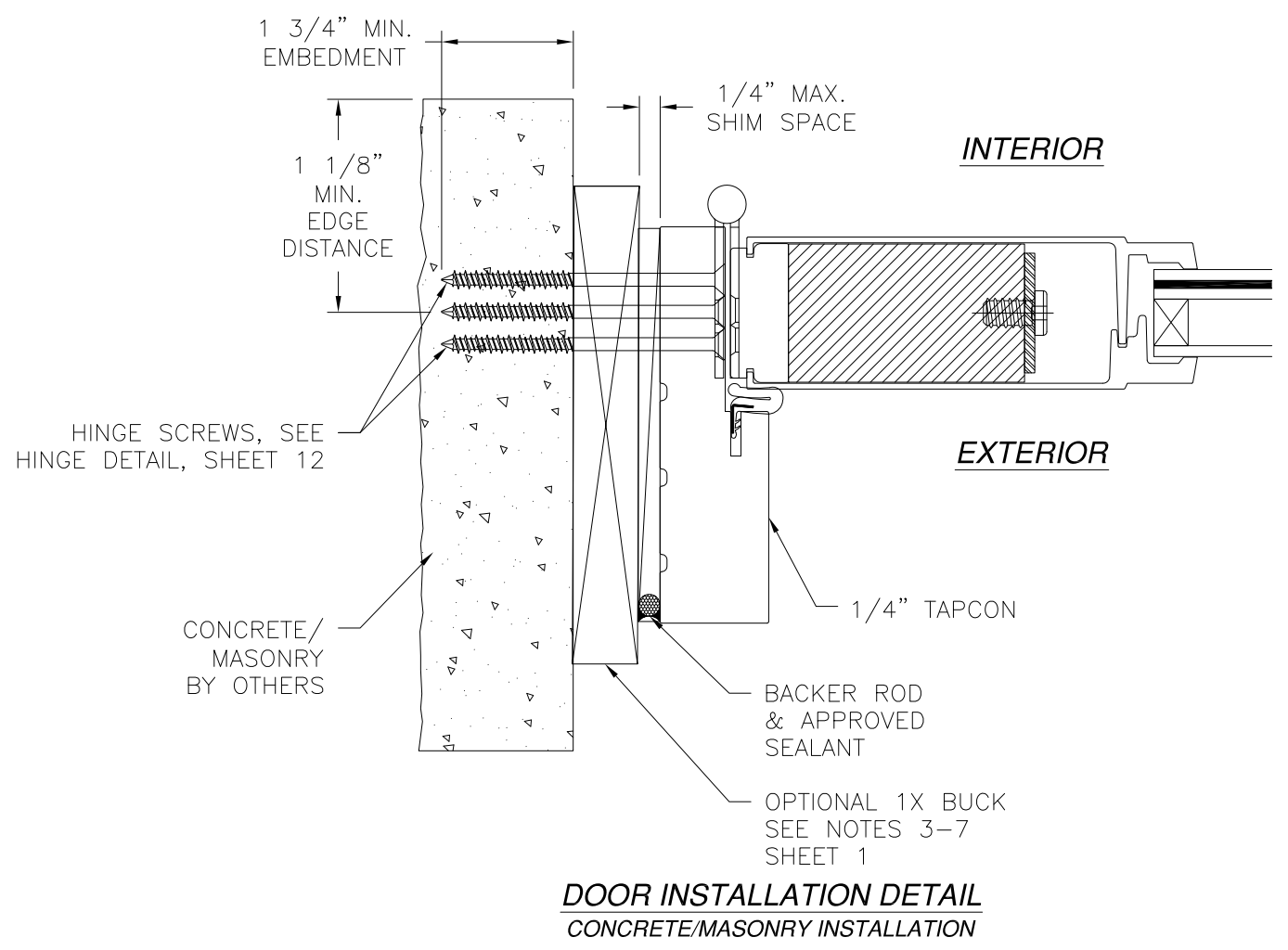
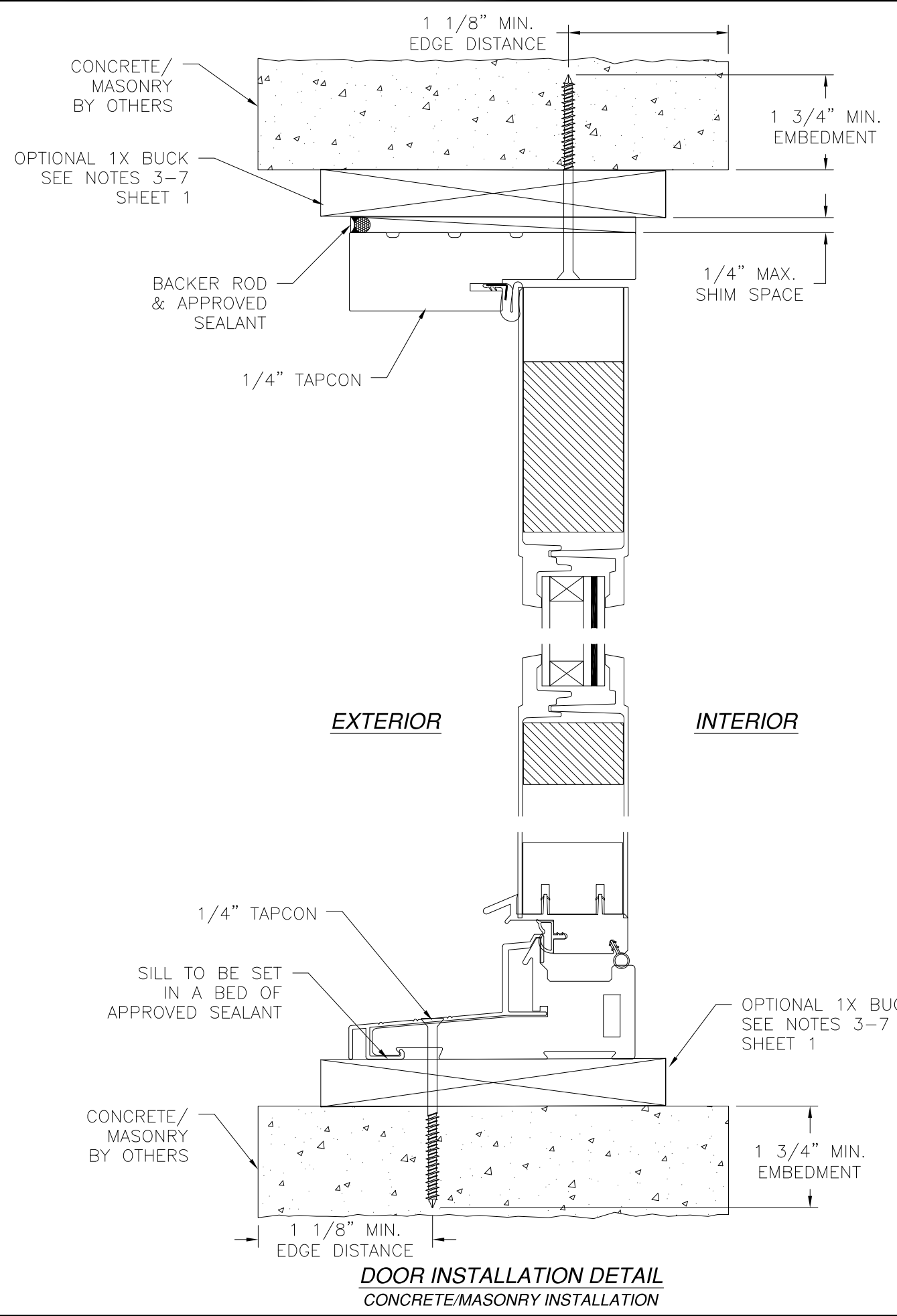
DRAWN: A.R.	DWG NO. 08-03502	REV A
SCALE NTS	DATE 10/21/19	SHEET 7 OF 17

L. ROBERTO LOMAS P.E.  
1432 WOODFORD RD LEWISVILLE, NC 27023  
434-688-0609 rllomas@rlomaspe.com



Luis R. Lomas P.E.  
TX No.: 101889

REVISIONS			
REV	DESCRIPTION	DATE	APPROVED
A	REVISED PER NEW REQUIREMENTS	02/27/2020	R.L.



- NOTES:**
1. INTERIOR AND EXTERIOR FINISHES, BY OTHERS, NOT SHOWN FOR CLARITY.
  2. PERIMETER AND JOINT SEALANT BY OTHERS TO BE DESIGNED IN ACCORDANCE WITH ASTM E2112

SIGNED: 04/20/2020

NAN YA PLASTICS CORPORATION U.S.A.  
 8989 NORTH LOOP EAST  
 HOUSTON, TX 77029

SERIES "SLPS" GLAZED FIBERGLASS INSWING PATIO DOOR LITE W/SIDELITES - IMPACT DOOR INSTALLATION DETAILS

DRAWN: A.R.	DWG NO. 08-03502	REV A
SCALE NTS	DATE 10/21/19	SHEET 8 OF 17

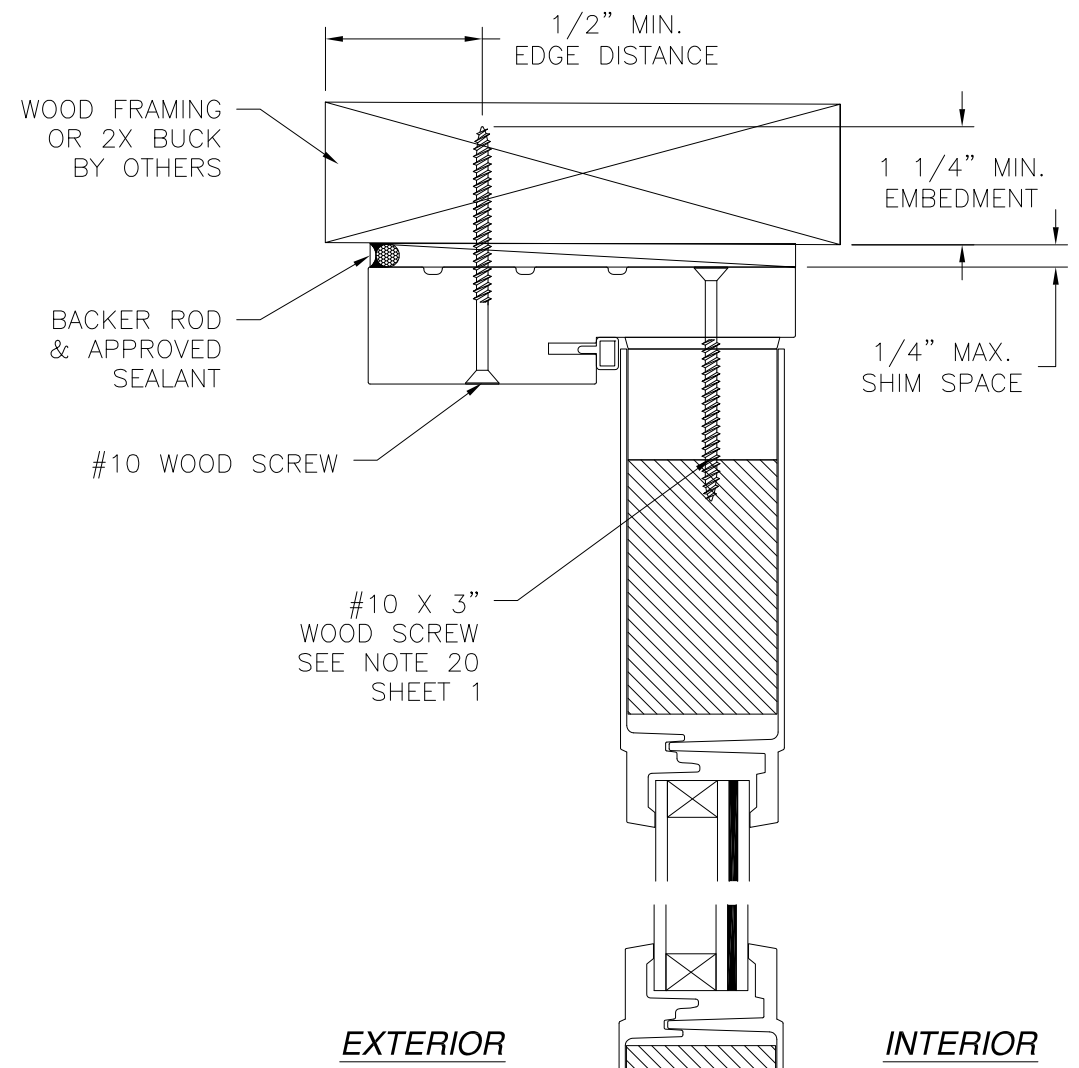
L. ROBERTO LOMAS P.E.  
 1432 WOODFORD RD LEWISVILLE, NC 27023  
 434-688-0609 rllomas@rlomaspe.com



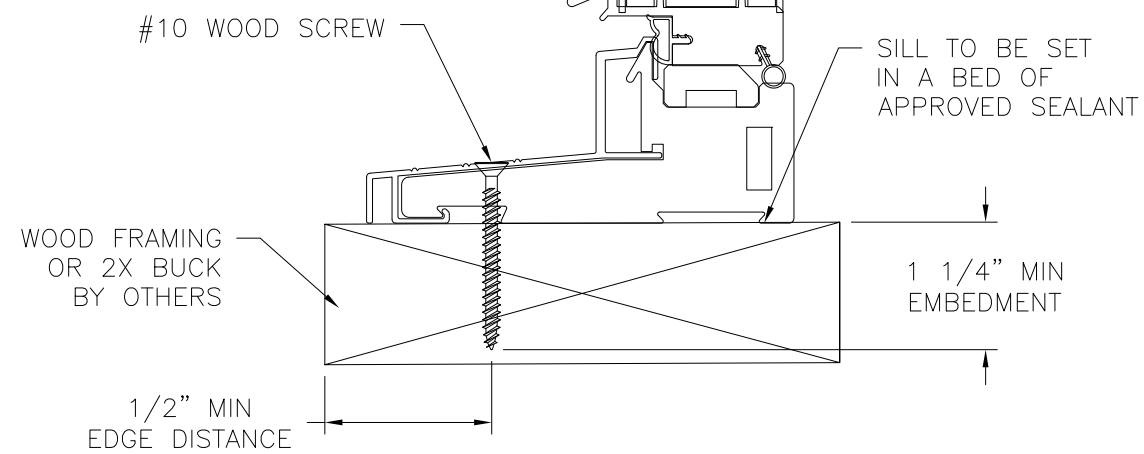
Luis R. Lomas P.E.  
 TX No.: 101889



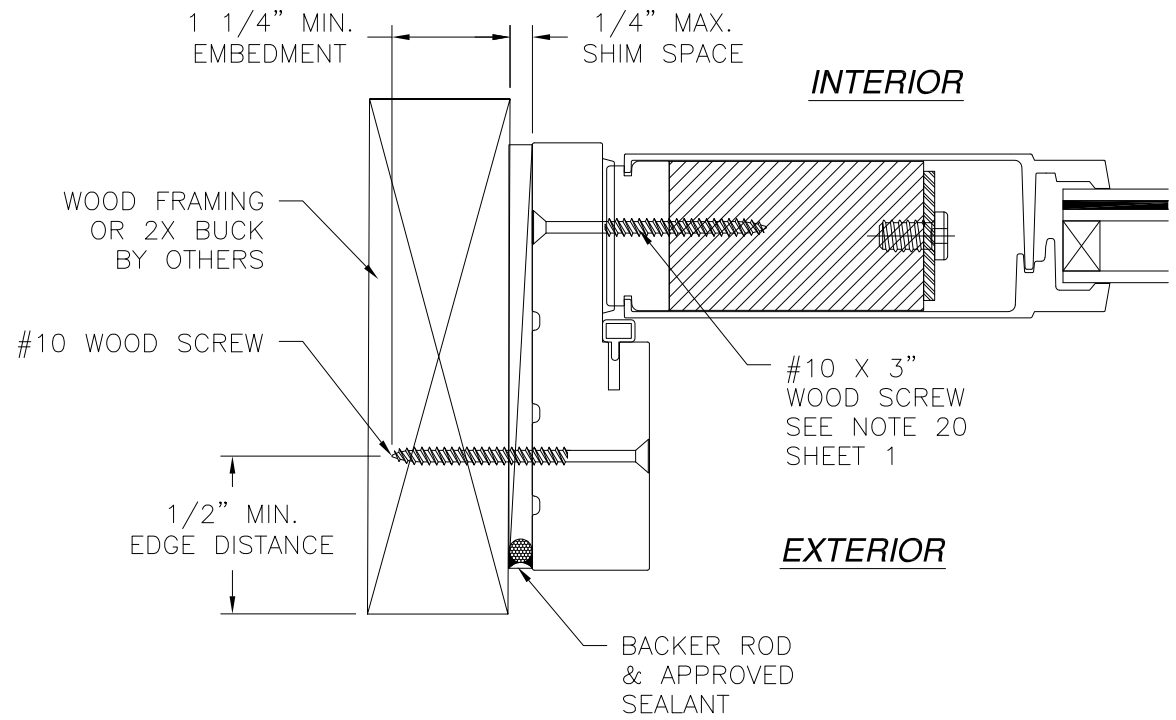
REVISIONS			
REV	DESCRIPTION	DATE	APPROVED
A	REVISED PER NEW REQUIREMENTS	02/27/2020	R.L.



**EXTERIOR** **INTERIOR**



**SIDELITE DOOR INSTALLATION DETAIL**  
2X BUCK/WOOD FRAMING INSTALLATION



**SIDELITE INSTALLATION DETAIL**  
WOOD FRAMING OR 2X BUCK INSTALLATION

- NOTES:**
1. INTERIOR AND EXTERIOR FINISHES, BY OTHERS, NOT SHOWN FOR CLARITY.
  2. PERIMETER AND JOINT SEALANT BY OTHERS TO BE DESIGNED IN ACCORDANCE WITH ASTM E2112

SIGNED: 04/20/2020

NAN YA PLASTICS CORPORATION U.S.A.  
8989 NORTH LOOP EAST  
HOUSTON, TX 77029

SERIES "SLPS" GLAZED FIBERGLASS INSWING PATIO DOOR LITE W/SIDELITES - IMPACT  
SIDELITE INSTALLATION DETAILS

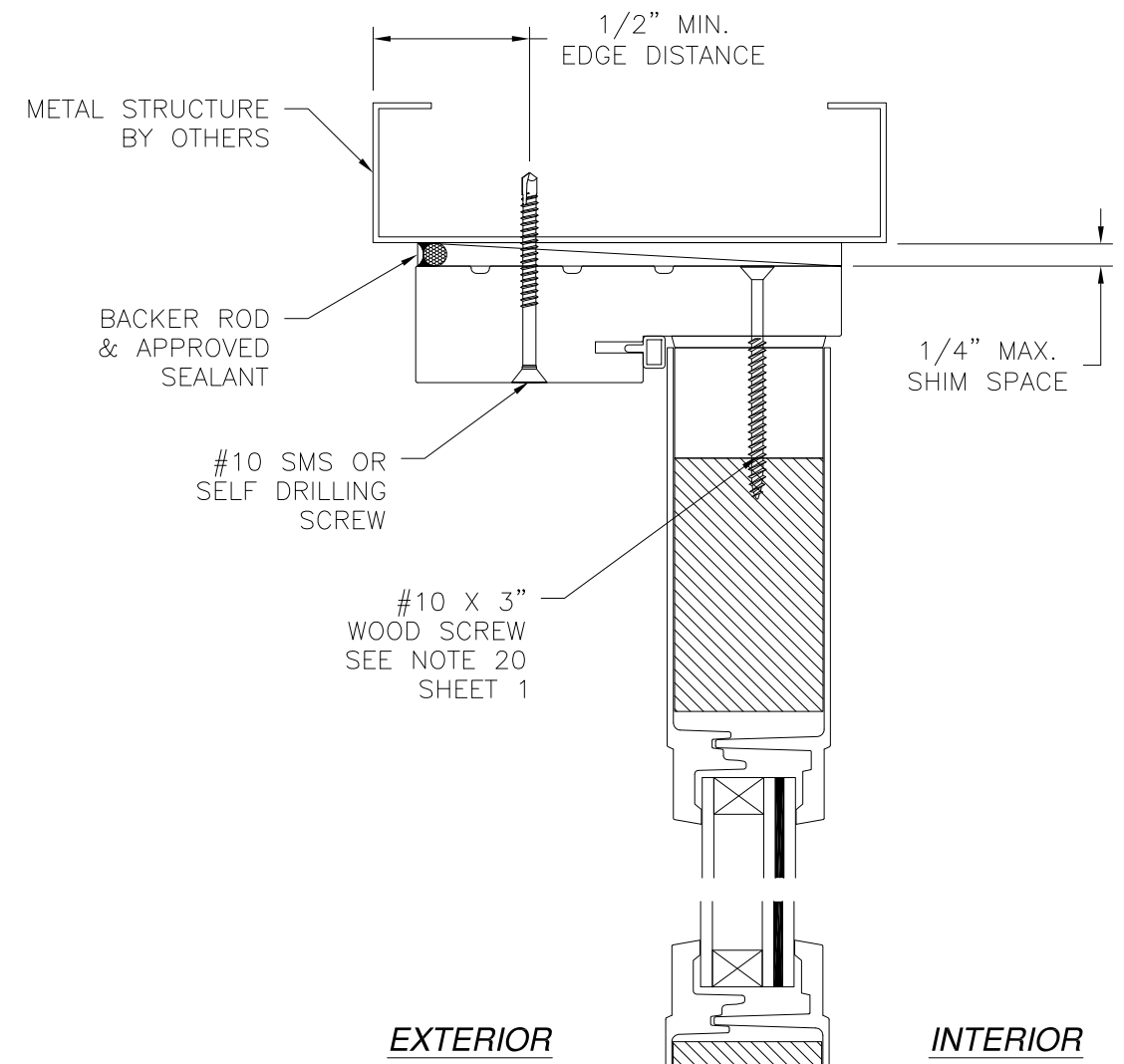
DRAWN: A.R.	DWG NO. 08-03502	REV A
SCALE NTS	DATE 10/21/19	SHEET 9 OF 17

L. ROBERTO LOMAS P.E.  
1432 WOODFORD RD LEWISVILLE, NC 27023  
434-688-0609 rllomas@rlomaspe.com

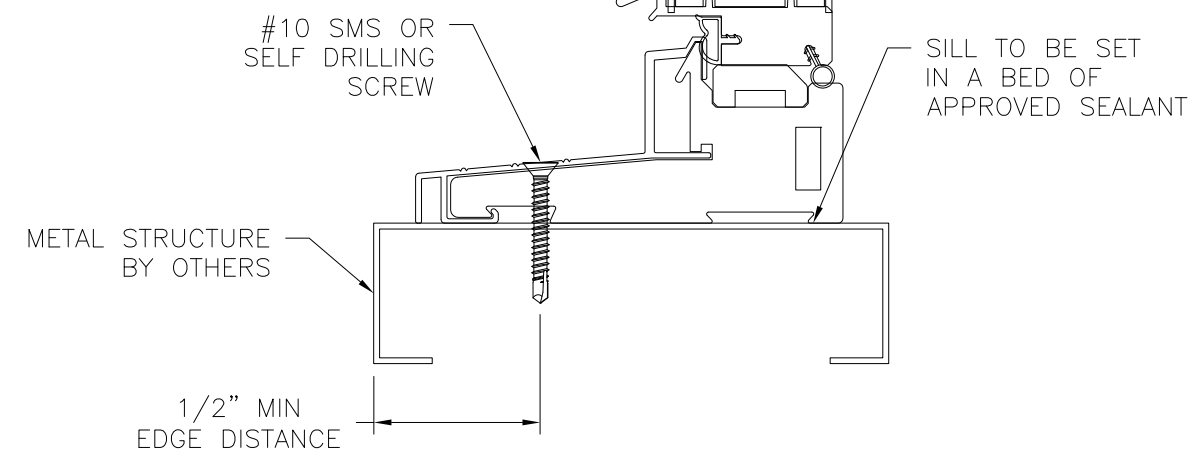


Luis R. Lomas P.E.  
TX No.: 101889

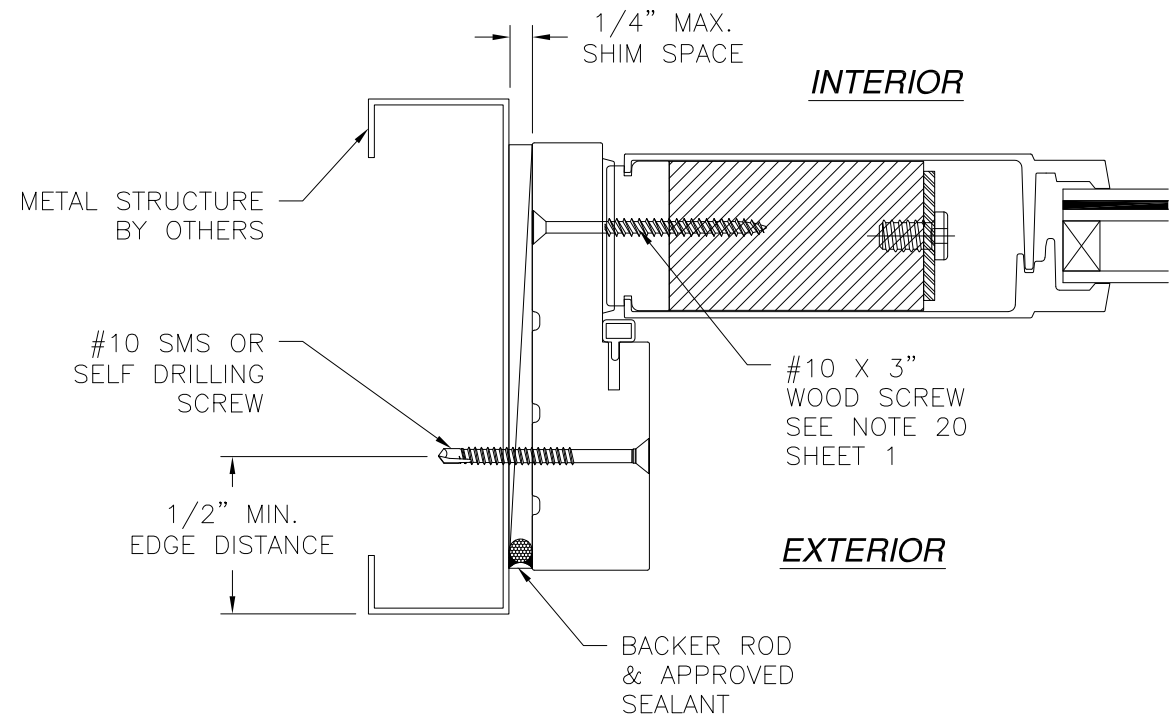
REVISIONS			
REV	DESCRIPTION	DATE	APPROVED
A	REVISED PER NEW REQUIREMENTS	02/27/2020	R.L.



**EXTERIOR** **INTERIOR**



**SIDELITE DOOR INSTALLATION DETAIL**  
METAL STRUCTURE FRAMING



**SIDELITE INSTALLATION DETAIL**  
METAL STRUCTURE INSTALLATION

- NOTES:**
1. INTERIOR AND EXTERIOR FINISHES, BY OTHERS, NOT SHOWN FOR CLARITY.
  2. PERIMETER AND JOINT SEALANT BY OTHERS TO BE DESIGNED IN ACCORDANCE WITH ASTM E2112

SIGNED: 04/20/2020

NAN YA PLASTICS CORPORATION U.S.A.  
8989 NORTH LOOP EAST  
HOUSTON, TX 77029

SERIES "SLPS" GLAZED FIBERGLASS INSWING  
PATIO DOOR LITE W/SIDELITES - IMPACT  
SIDELITE INSTALLATION DETAILS

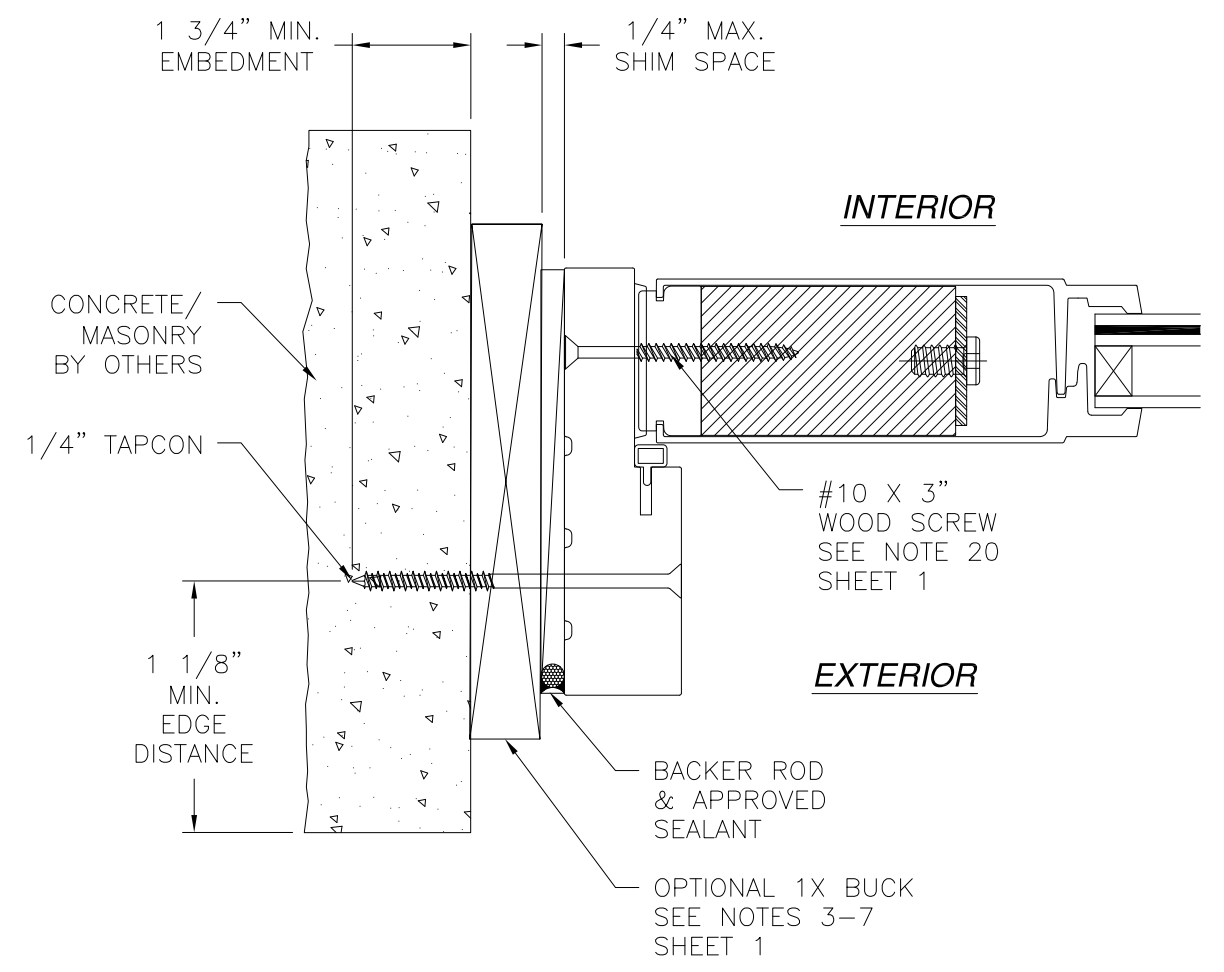
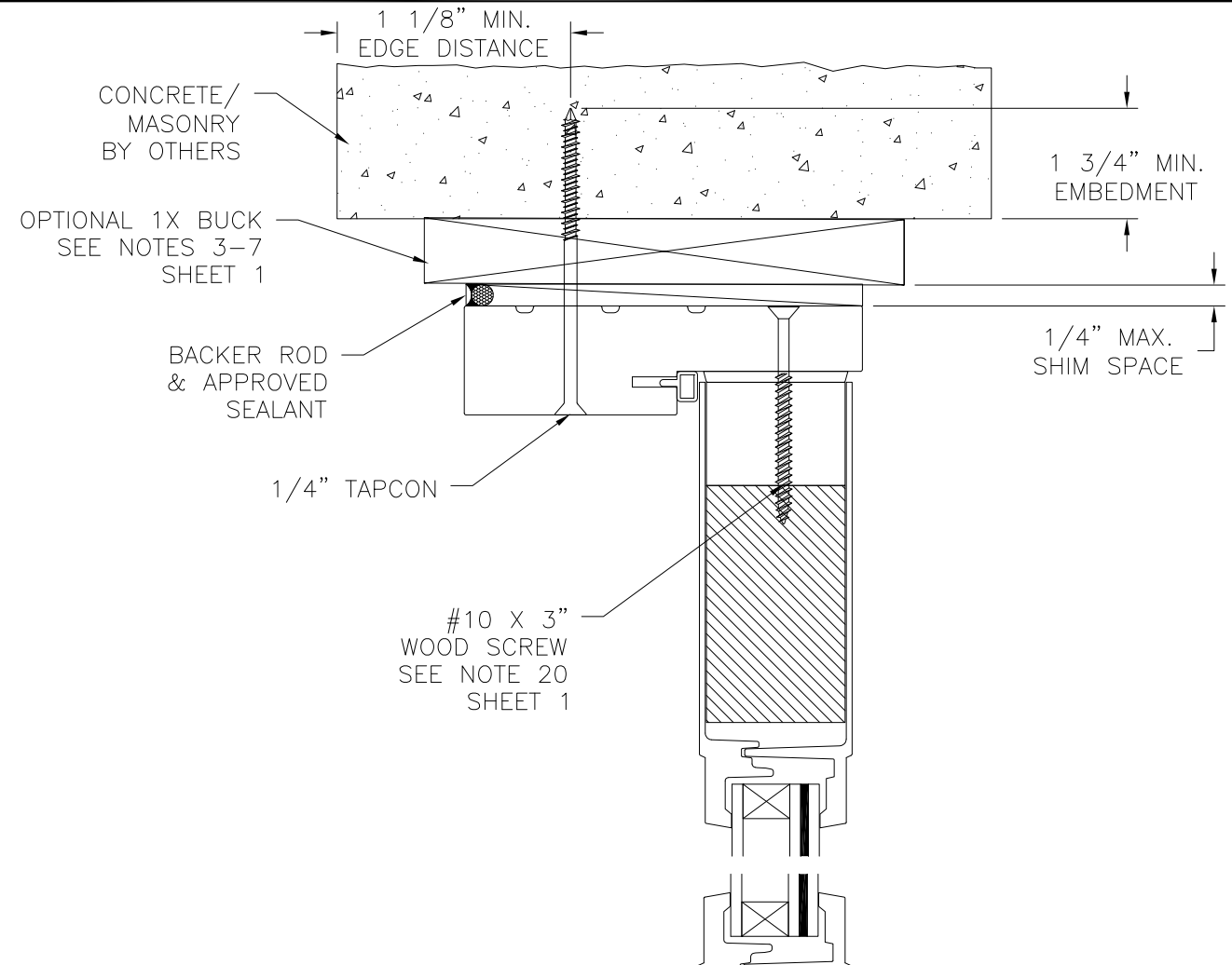
DRAWN: A.R.	DWG NO. 08-03502	REV A
SCALE NTS	DATE 10/21/19	SHEET 10 OF 17

L. ROBERTO LOMAS P.E.  
1432 WOODFORD RD LEWISVILLE, NC 27023  
434-688-0609 rllomas@rlomaspe.com



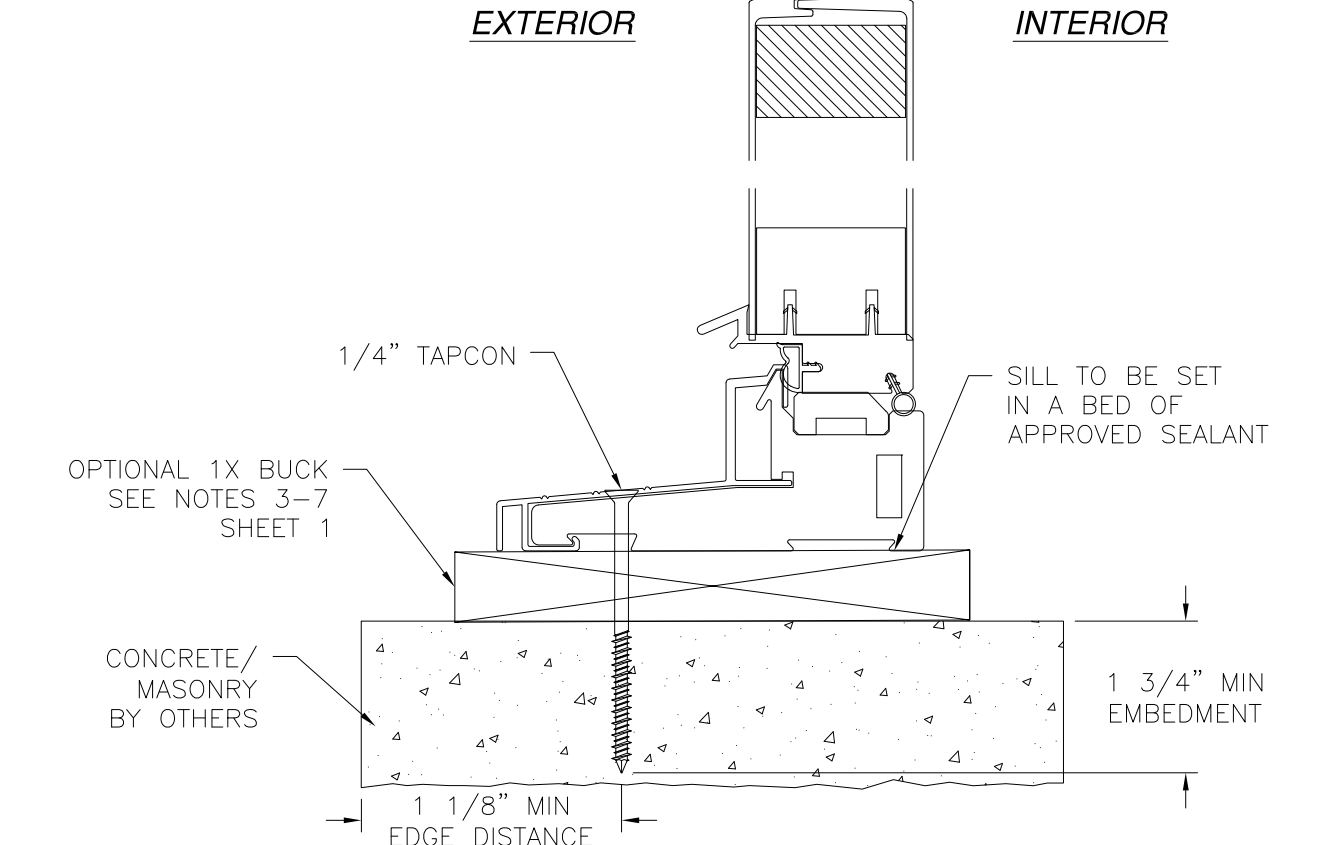
Luis R. Lomas P.E.  
TX No.: 101889

REVISIONS			
REV	DESCRIPTION	DATE	APPROVED
A	REVISED PER NEW REQUIREMENTS	02/27/2020	R.L.



**SIDELITE INSTALLATION DETAIL**  
CONCRETE/MASONRY INSTALLATION

- NOTES:**
1. INTERIOR AND EXTERIOR FINISHES, BY OTHERS, NOT SHOWN FOR CLARITY.
  2. PERIMETER AND JOINT SEALANT BY OTHERS TO BE DESIGNED IN ACCORDANCE WITH ASTM E2112



**SIDELITE DOOR INSTALLATION DETAIL**  
CONCRETE/MASONRY INSTALLATION

SIGNED: 04/20/2020

NAN YA PLASTICS CORPORATION U.S.A.  
8989 NORTH LOOP EAST  
HOUSTON, TX 77029

SERIES "SLPS" GLAZED FIBERGLASS INSWING  
PATIO DOOR LITE W/SIDELITES - IMPACT  
SIDELITE INSTALLATION DETAILS

DRAWN: A.R.	DWG NO. 08-03502	REV A
SCALE NTS	DATE 10/21/19	SHEET 11 OF 17

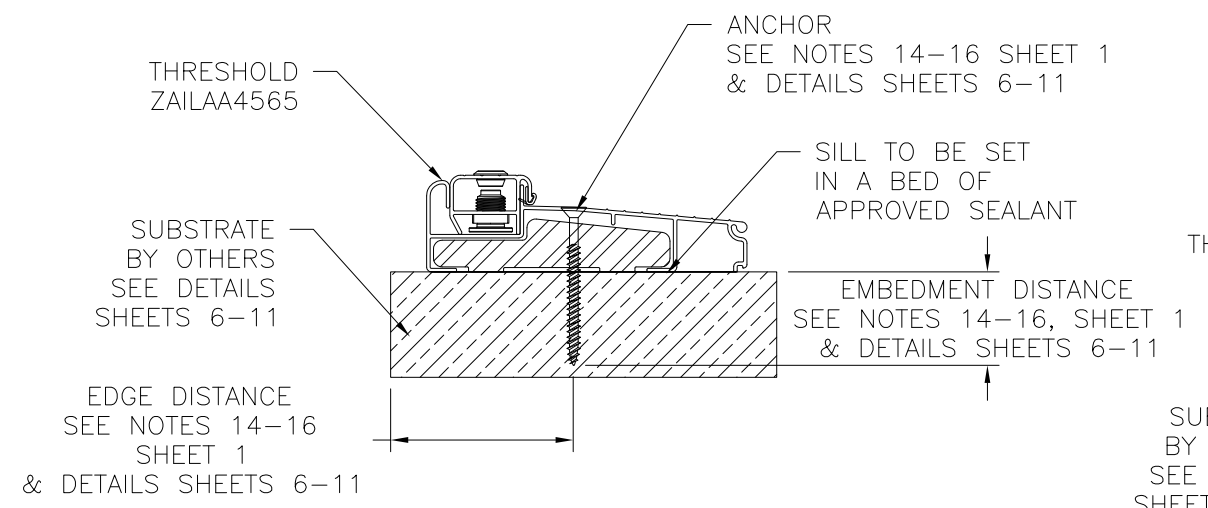
L. ROBERTO LOMAS P.E.  
1432 WOODFORD RD LEWISVILLE, NC 27023  
434-688-0609 rllomas@rlomaspe.com



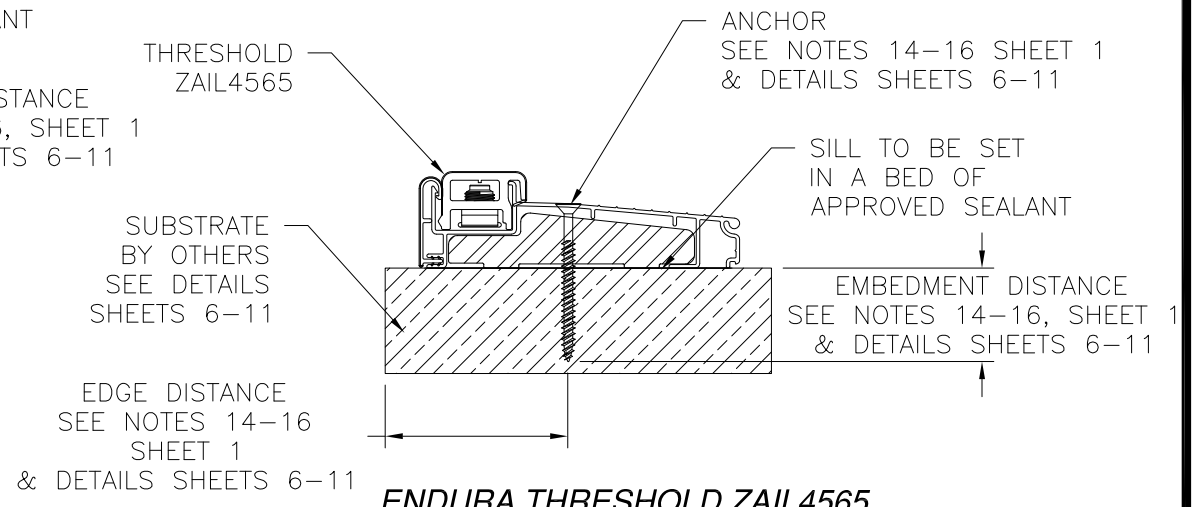
Luis R. Lomas P.E.  
TX No.: 101889

# ALTERNATE SILLS ANCHORS LOCATIONS

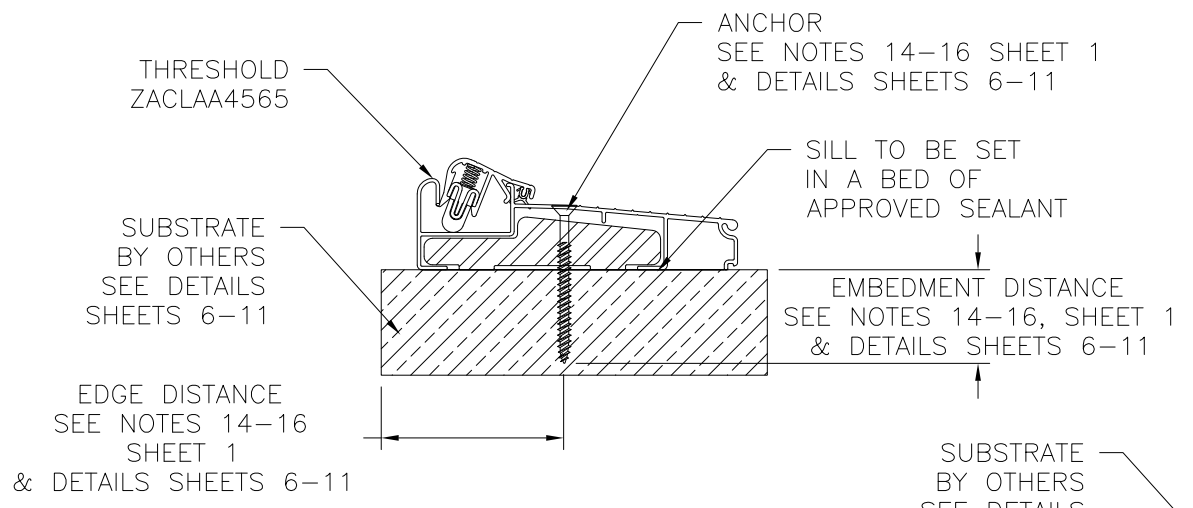
REVISIONS			
REV	DESCRIPTION	DATE	APPROVED
A	REVISED PER NEW REQUIREMENTS	02/27/2020	R.L.



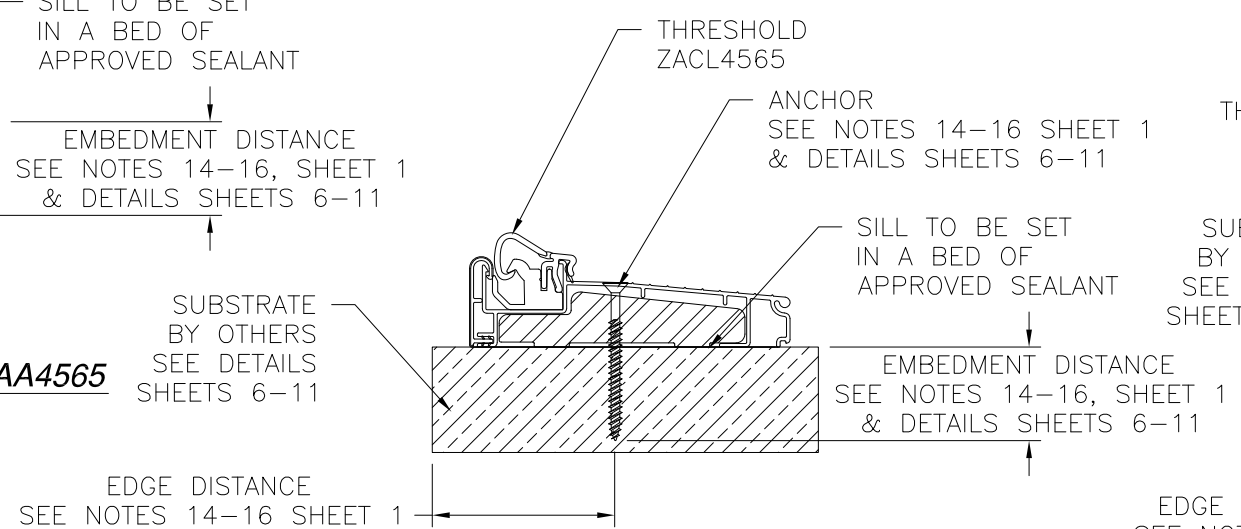
**ENDURA THRESHOLD ZAILAA4565**



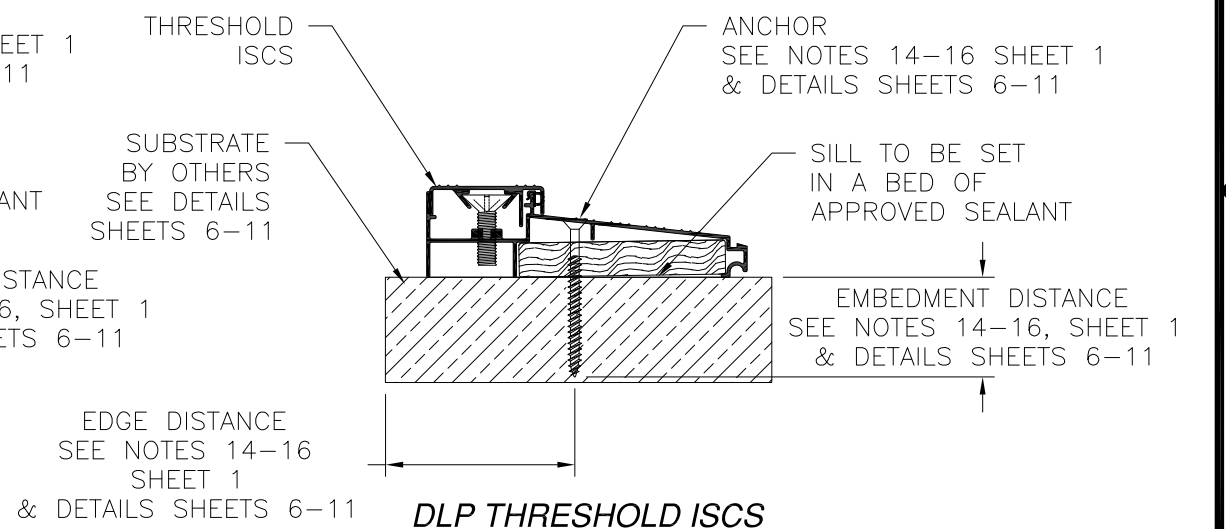
**ENDURA THRESHOLD ZAIL4565**



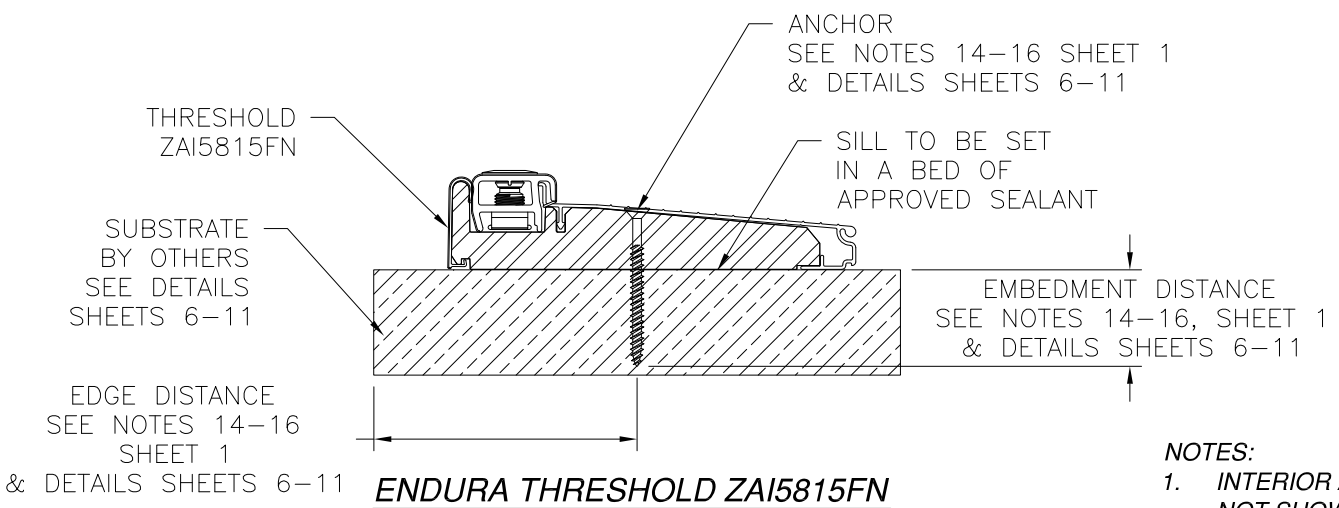
**ENDURA THRESHOLD ZACLAA4565**



**ENDURA THRESHOLD ZACL4565**



**DLP THRESHOLD ISCS**



**ENDURA THRESHOLD ZAI5815FN**

**NOTES:**

1. INTERIOR AND EXTERIOR FINISHES, BY OTHERS, NOT SHOWN FOR CLARITY.
2. PERIMETER AND JOINT SEALANT BY OTHERS TO BE DESIGNED IN ACCORDANCE WITH ASTM E2112

NAN YA PLASTICS CORPORATION U.S.A.  
8989 NORTH LOOP EAST  
HOUSTON, TX 77029

SERIES "SLPS" GLAZED FIBERGLASS INSWING  
PATIO DOOR LITE W/SIDELITES - IMPACT  
INSTALLATION DETAILS

DRAWN: A.R.	DWG NO. 08-03502	REV A
SCALE NTS	DATE 10/21/19	SHEET 12 OF 17

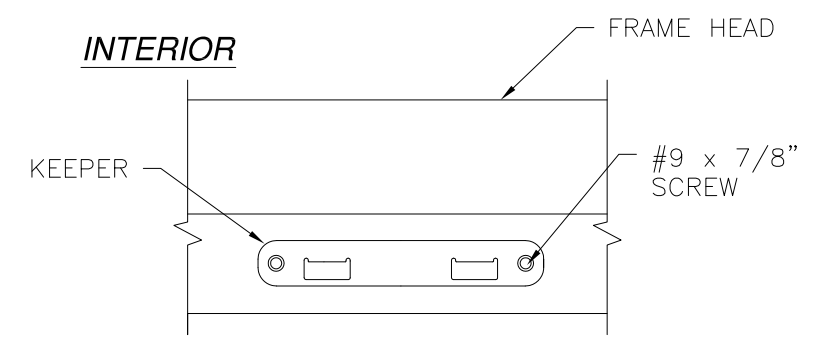
L. ROBERTO LOMAS P.E.  
1432 WOODFORD RD LEWISVILLE, NC 27023  
434-688-0609 rllomas@rlomaspe.com

SIGNED: 04/20/2020

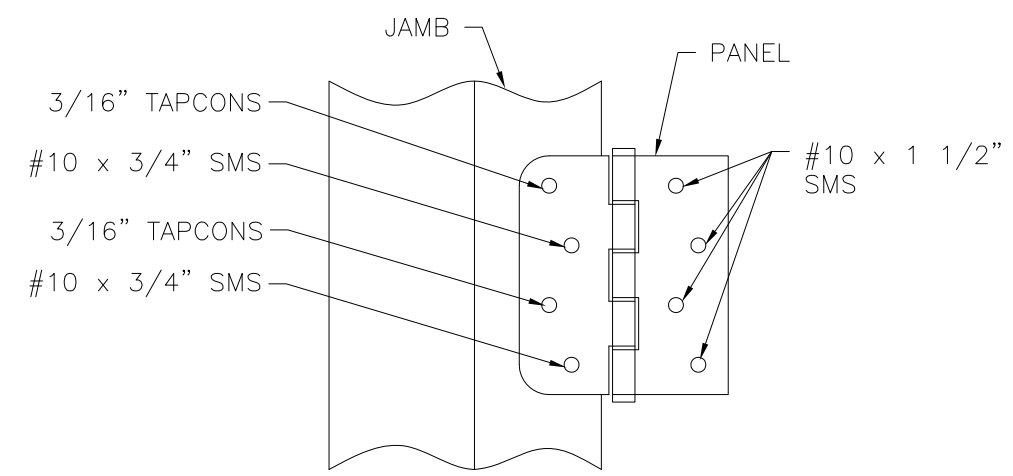


Luis R. Lomas P.E.  
TX No.: 101889

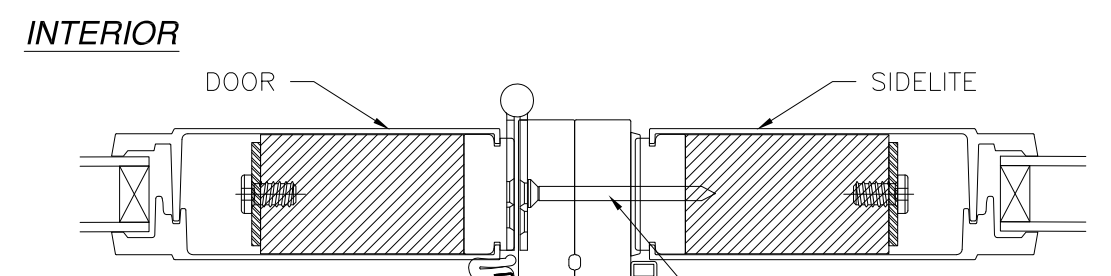
REVISIONS			
REV	DESCRIPTION	DATE	APPROVED
A	REVISED PER NEW REQUIREMENTS	02/27/2020	R.L.



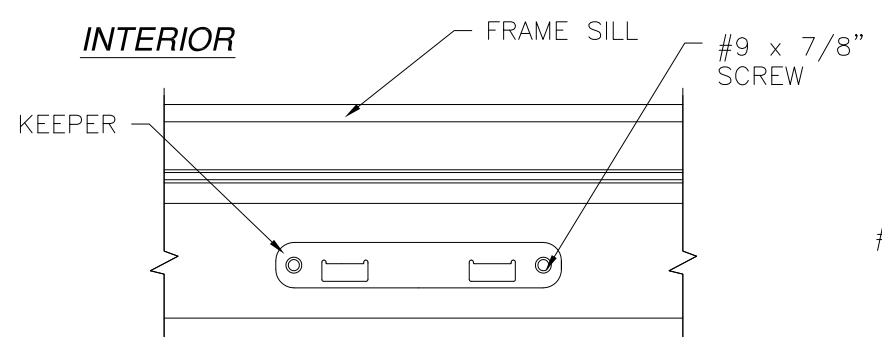
**EXTERIOR**  
**HEAD KEEPER DETAIL**



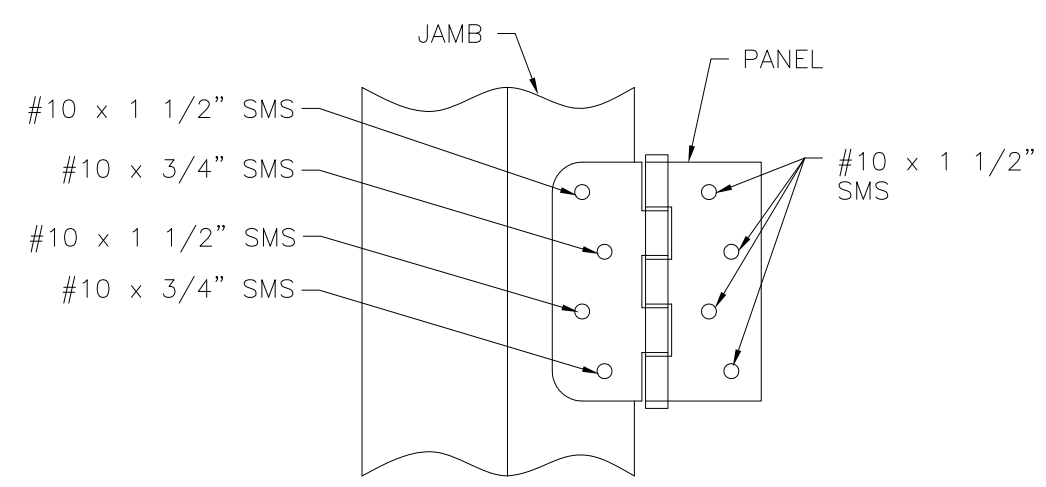
**HINGE INSTALLATION DETAIL**  
**MASONRY/CONCRETE INSTALLATION**



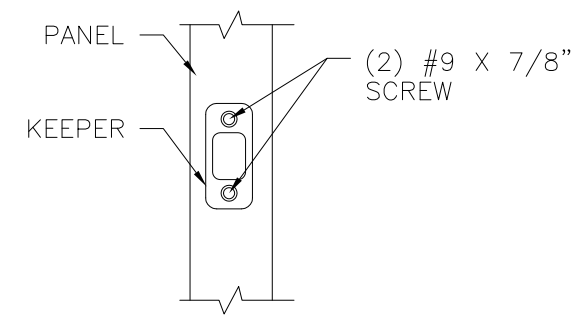
**MULLION DETAIL**  
**DOOR ANCHORS SCREWS**  
**NOT SHOWN FOR CLARITY**



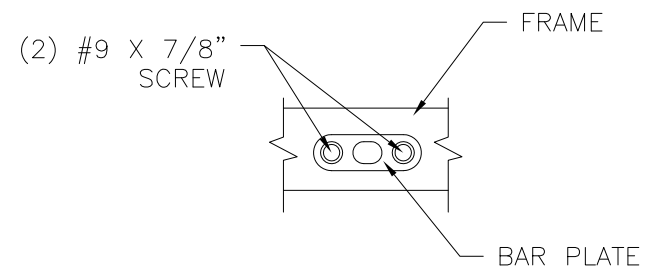
**EXTERIOR**  
**SILL KEEPER DETAIL**



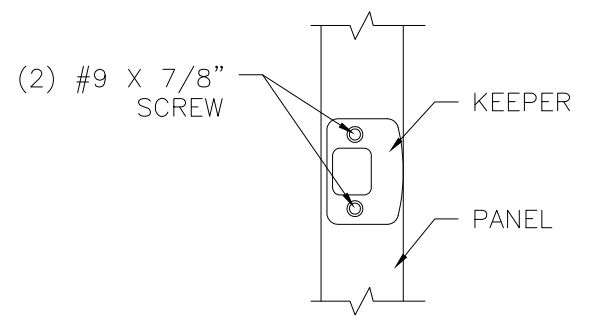
**HINGE INSTALLATION DETAIL**  
**WOOD AND METAL INSTALLATION**



**DEADBOLT KEEPER DETAIL**



**DRIVE BAR PLATE DETAIL**



**LATCH KEEPER DETAIL**

**NAN YA PLASTICS CORPORATION U.S.A.**  
8989 NORTH LOOP EAST  
HOUSTON, TX 77029

**SERIES "SLPS" GLAZED FIBERGLASS INSWING PATIO DOOR LITE W/SIDELITES - IMPACT INSTALLATION DETAILS**

DRAWN: A.R.	DWG NO. 08-03502	REV A
SCALE NTS	DATE 10/21/19	SHEET 13 OF 17

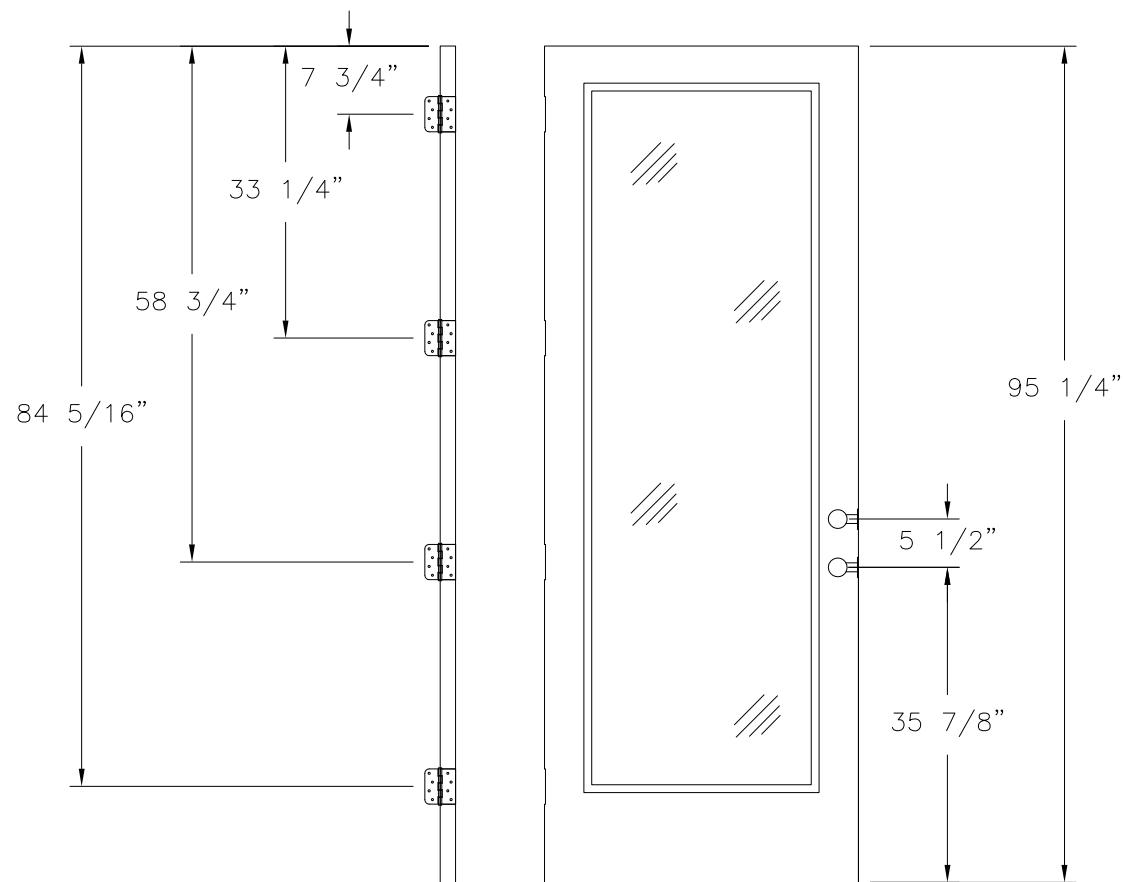
L. ROBERTO LOMAS P.E.  
1432 WOODFORD RD LEWISVILLE, NC 27023  
434-688-0609 rllomas@rlomaspe.com

SIGNED: 04/20/2020

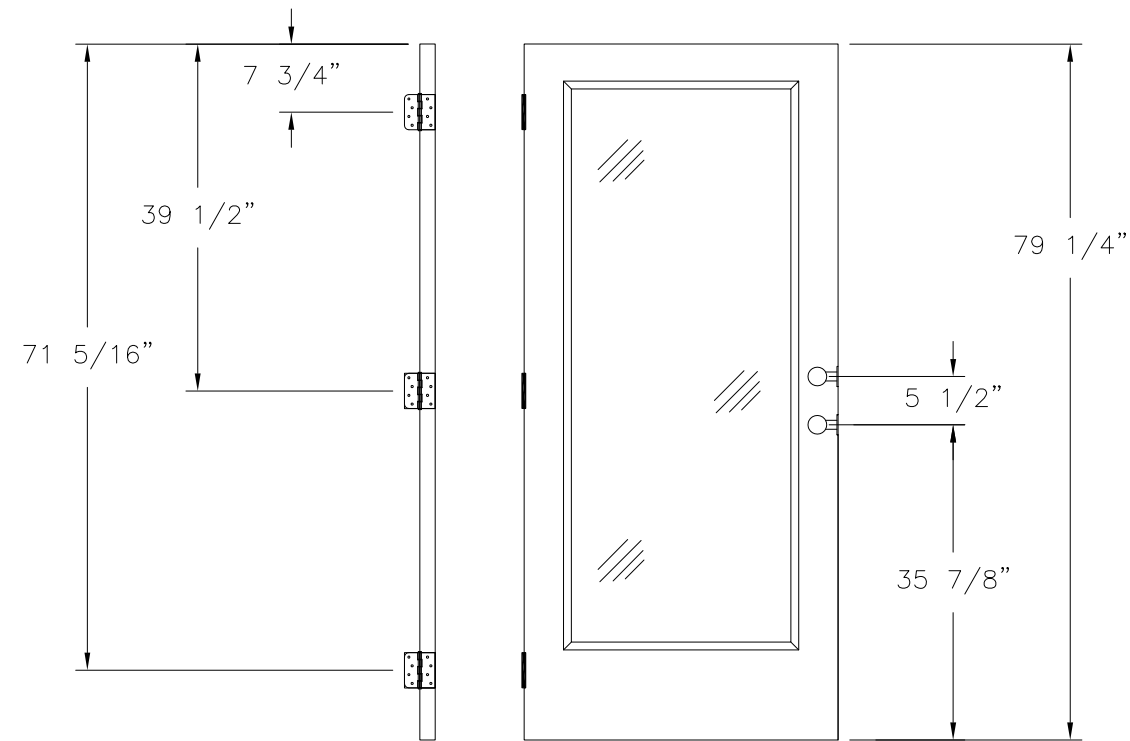


Luis R. Lomas P.E.  
TX No.: 101889

REVISIONS			
REV	DESCRIPTION	DATE	APPROVED
A	REVISED PER NEW REQUIREMENTS	02/27/2020	R.L.



**LOCK AND HINGES LOCATIONS**  
FOR PANELS 95 1/4" HIGH



**LOCK AND HINGES LOCATIONS**  
FOR PANELS 79 1/4" HIGH

SIGNED: 04/20/2020

NAN YA PLASTICS CORPORATION U.S.A.  
8989 NORTH LOOP EAST  
HOUSTON, TX 77029

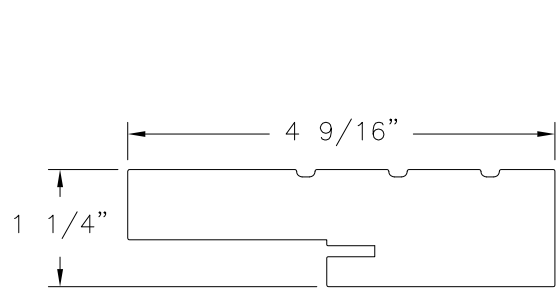
SERIES "SLPS" GLAZED FIBERGLASS INSWING  
PATIO DOOR LITE W/SIDELITES - IMPACT  
INSTALLATION DETAILS

DRAWN: A.R.	DWG NO. 08-03502	REV A
SCALE NTS	DATE 10/21/19	SHEET 14 OF 17

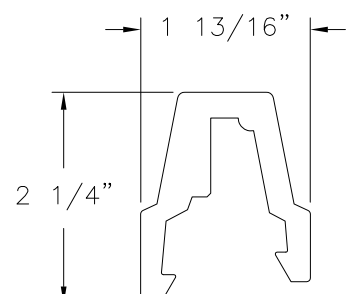
L. ROBERTO LOMAS P.E.  
1432 WOODFORD RD LEWISVILLE, NC 27023  
434-688-0609 rllomas@rlomaspe.com



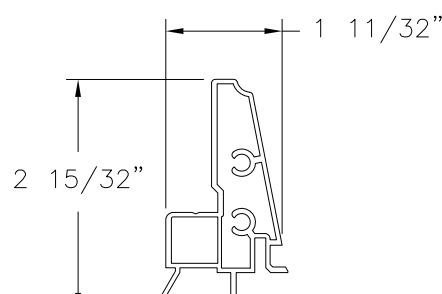
Luis R. Lomas P.E.  
TX No.: 101889



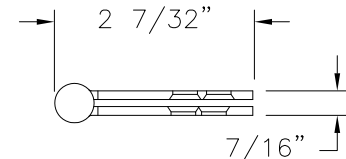
**HEAD FRAME & JAMB**  
COMPOSITE



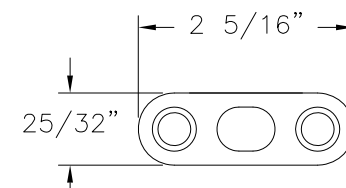
**MULLION COVER (B)**  
FOAM PVC



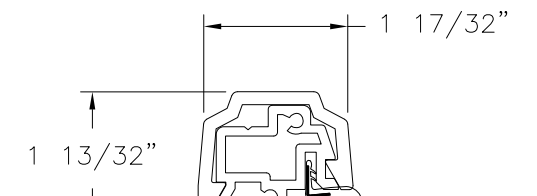
**REINFORCEMENT (B)**  
ALUMINUM



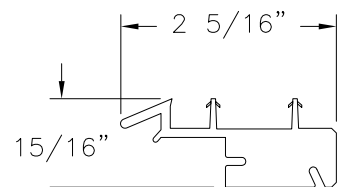
**4\"/>**



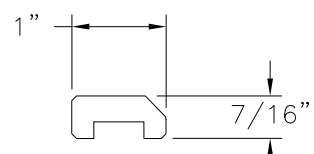
**DRIVE BAR PLATE**  
STAINLESS STEEL



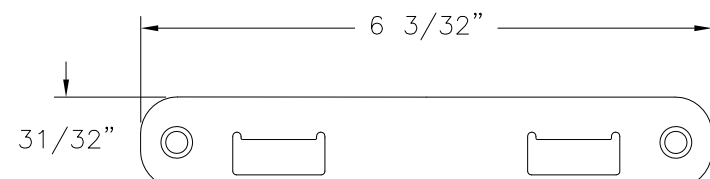
**T-ASTRAGAL**  
RIGID PVC



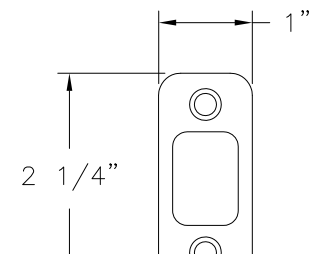
**DOOR BOTTOM-A**  
PVC CO-EX



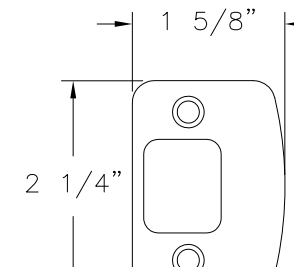
**STATIONARY BASE**  
FOAM PVC



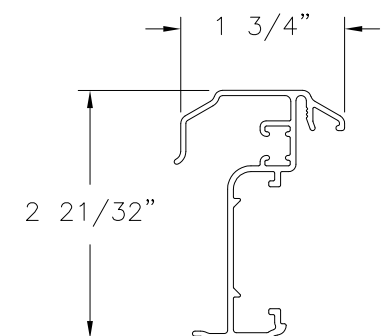
**TOP/BOTTOM BAR KEEPER**  
STAINLESS STEEL (SS92P)



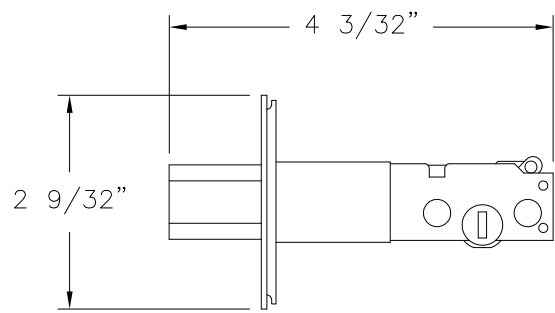
**DEADBOLT KEEPER**  
STAINLESS STEEL



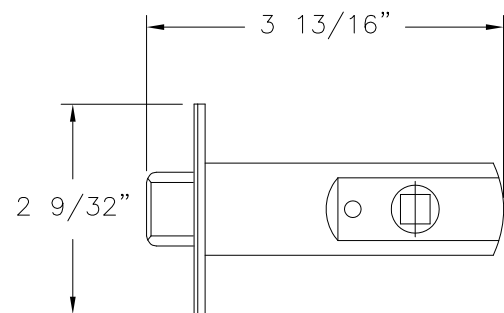
**LATCH KEEPER**  
STAINLESS STEEL



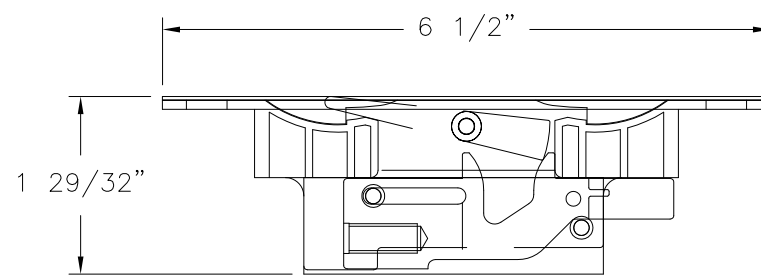
**ENDURA ULTIMATE PUSH BUTTON**  
ASTRAGAL  
ALTERNATE



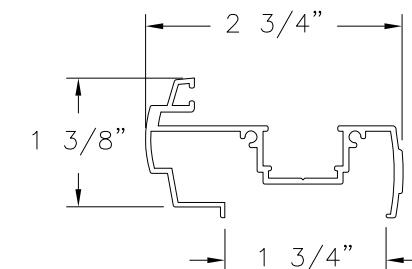
**DOOR DEADBOLT**  
STEEL (SS92Y BY MICOTA TECH)



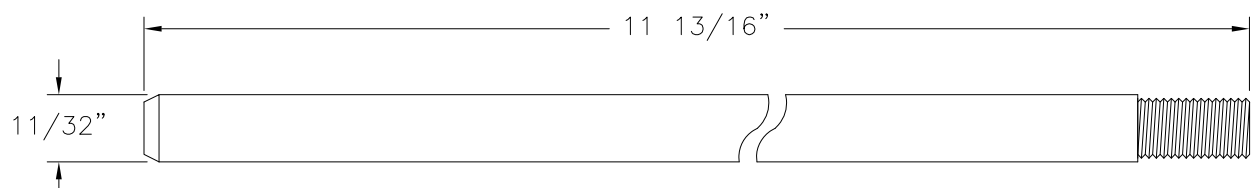
**DOOR LATCH**  
STEEL (SS92Y BY MICOTA TECH)



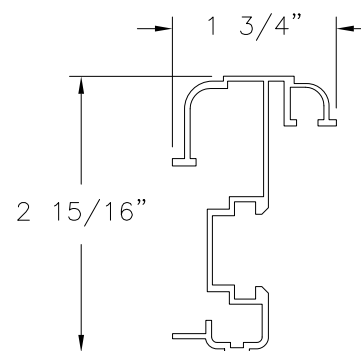
**FLUSH BOLT MECHANISM**  
DIE CAST, STEEL, POM (SS93X BY MICOTA TECH)



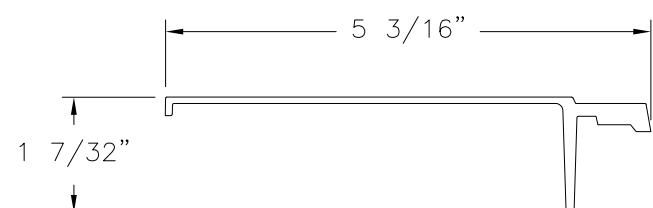
**T-ASTRAGAL BY COLUMBIA**  
.060\"/>



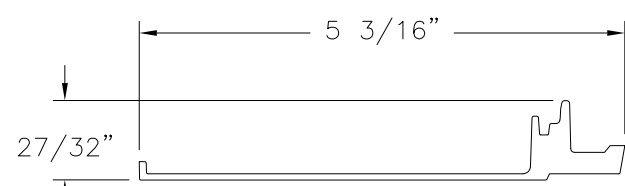
**FLUSH BOLT BAR**  
STAINLESS STEEL (SS93B)



**DLP ASTRAGAL**  
ALTERNATE



**SHEET MOLDING COMPOUND SKIN-1**  
FIBERGLASS



**SHEET MOLDING COMPOUND SKIN-2**  
FIBERGLASS

REVISIONS			
REV	DESCRIPTION	DATE	APPROVED
A	REVISED PER NEW REQUIREMENTS	02/27/2020	R.L.

NAN YA PLASTICS CORPORATION U.S.A.  
8989 NORTH LOOP EAST  
HOUSTON, TX 77029

SERIES "SLPS" GLAZED FIBERGLASS INSWING  
PATIO DOOR LITE W/SIDELITES - IMPACT  
COMPONENTS

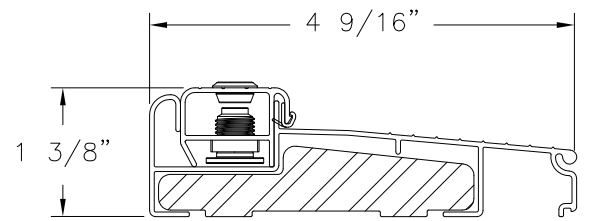
DRAWN: A.R.	DWG NO. 08-03502	REV A
SCALE NTS	DATE 10/21/19	SHEET 15 OF 17

L. ROBERTO LOMAS P.E.  
1432 WOODFORD RD LEWISVILLE, NC 27023  
434-688-0609 rllomas@rlomaspe.com

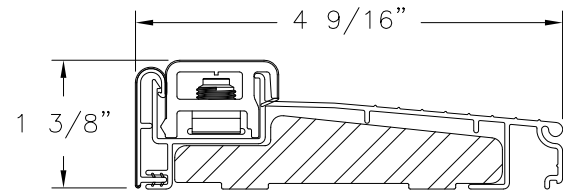
SIGNED: 04/20/2020



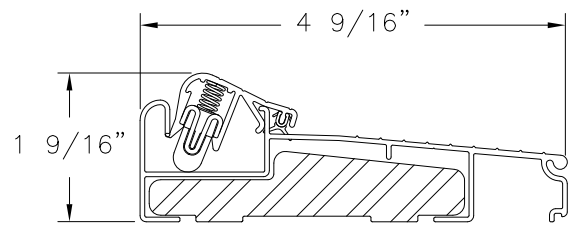
Luis R. Lomas P.E.  
TX No.: 101889



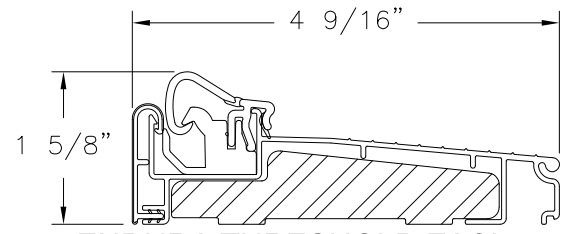
**ENDURA THRESHOLD ZAILAA4565**  
ALTERNATE



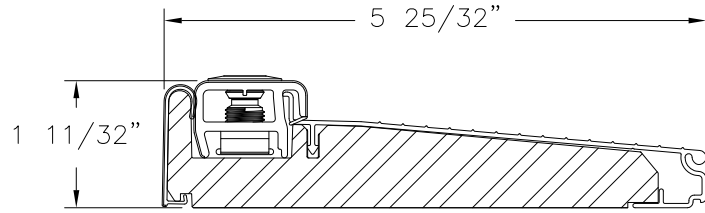
**ENDURA THRESHOLD ZAIL4565**  
ALTERNATE



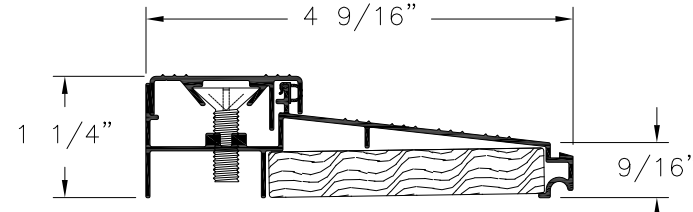
**ENDURA THRESHOLD ZACLAA4565**  
ALTERNATE



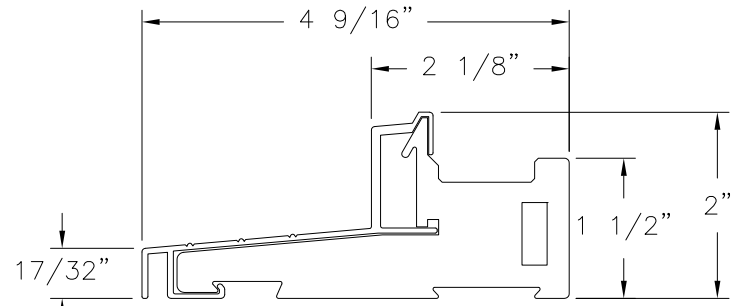
**ENDURA THRESHOLD ZAQL4565**  
ALTERNATE



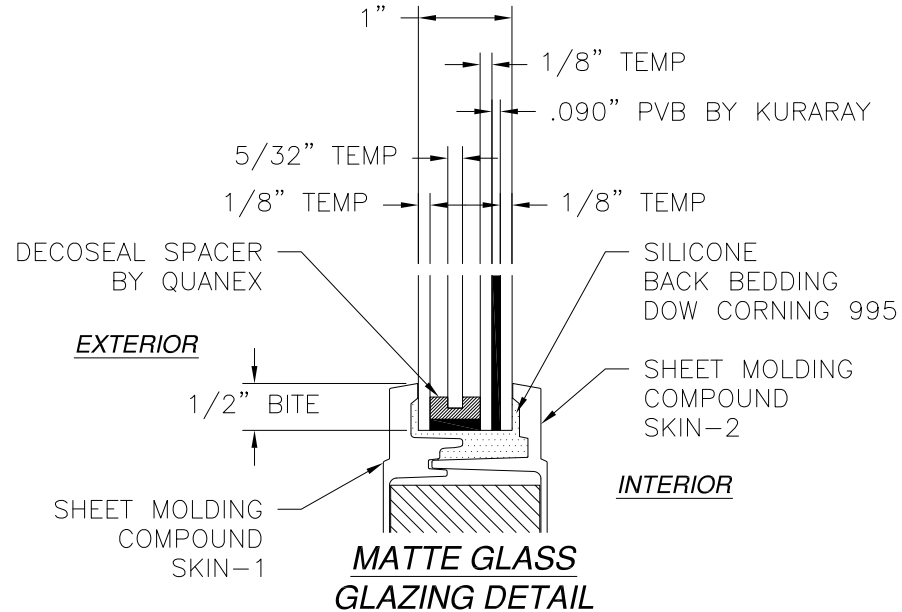
**ENDURA THRESHOLD ZAI5815FN**  
ALTERNATE



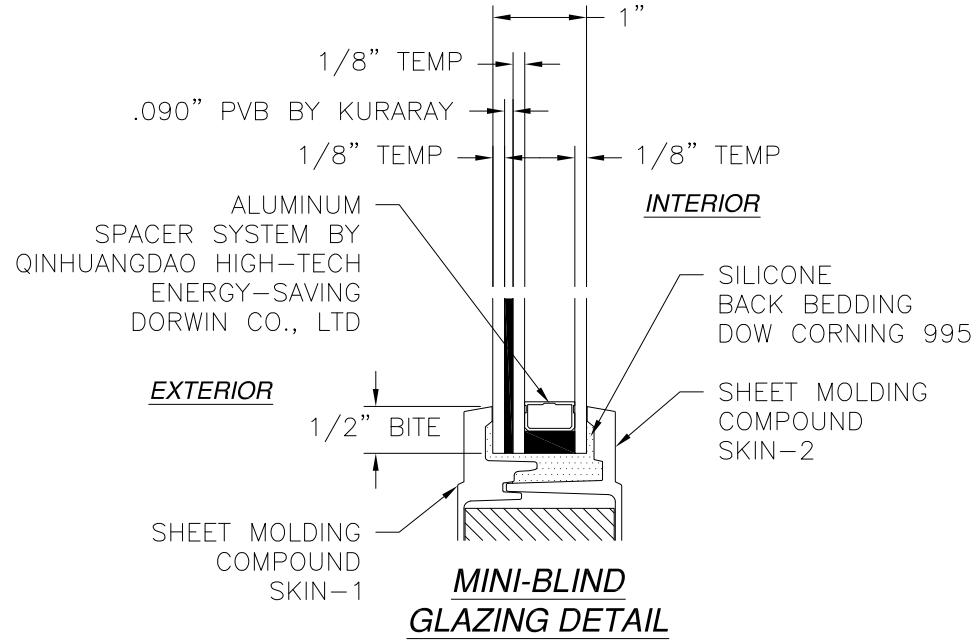
**DLP THRESHOLD DLP ISCS**  
ALTERNATE



**INSWING DOOR SILL**  
FOAM PVC CO-EX & ALUMINUM

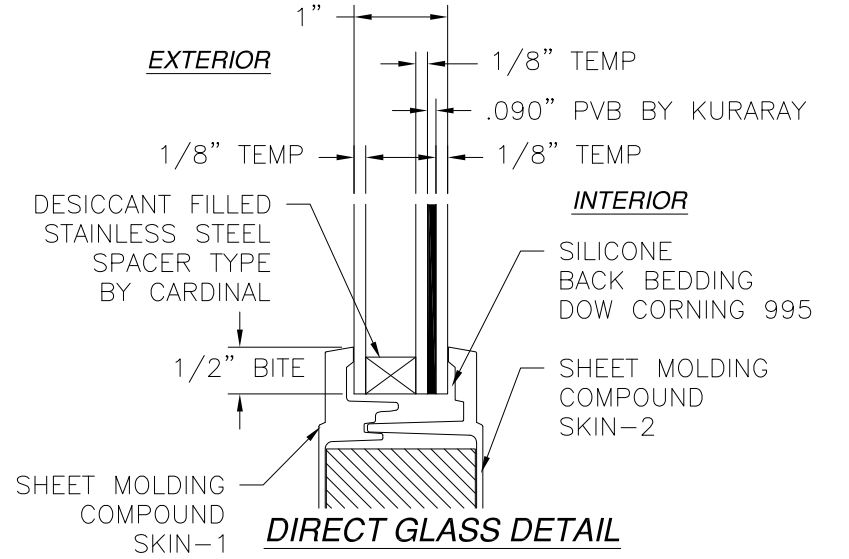


**MATTE GLASS**  
GLAZING DETAIL

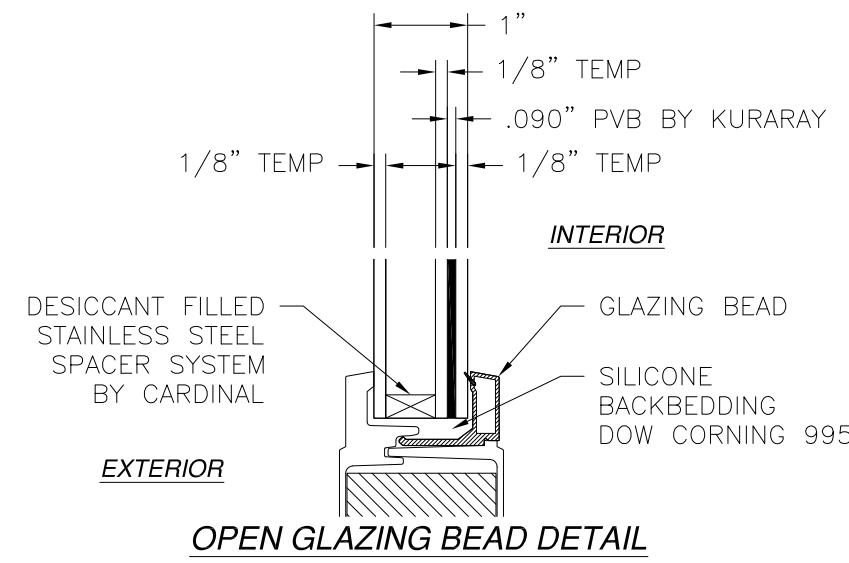


**MINI-BLIND**  
GLAZING DETAIL

REVISIONS			
REV	DESCRIPTION	DATE	APPROVED
A	REVISED PER NEW REQUIREMENTS	02/27/2020	R.L.



**DIRECT GLASS**  
DETAIL



**OPEN GLAZING BEAD**  
DETAIL

**NAN YA PLASTICS CORPORATION U.S.A.**  
8989 NORTH LOOP EAST  
HOUSTON, TX 77029

SERIES "SLPS" GLAZED FIBERGLASS INSWING PATIO DOOR LITE W/SIDELITES - IMPACT COMPONENTS AND GLAZING DETAILS

DRAWN: A.R.	DWG NO. 08-03502	REV A
SCALE NTS	DATE 10/21/19	SHEET 16 OF 17

L. ROBERTO LOMAS P.E.  
1432 WOODFORD RD LEWISVILLE, NC 27023  
434-688-0609 rllomas@rlomaspe.com

SIGNED: 04/20/2020



Luis R. Lomas P.E.  
TX No.: 101889

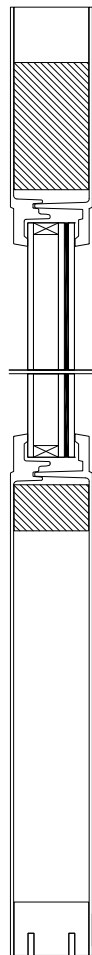


REVISIONS			
REV	DESCRIPTION	DATE	APPROVED
A	REVISED PER NEW REQUIREMENTS	02/27/2020	R.L.

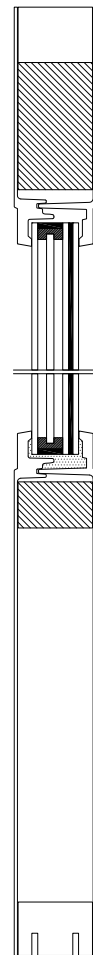
**APPROVED PANEL CONFIGURATIONS**

**DIRECT GLAZING**

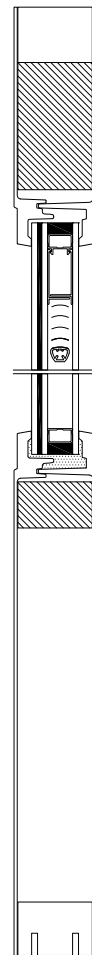
**OPEN GLAZING BEAD**



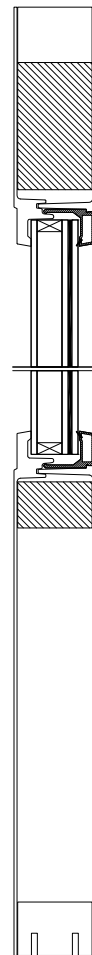
W/STD GLASS



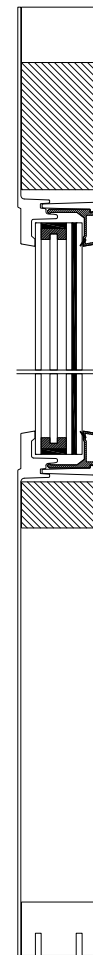
W/MATTE GLASS



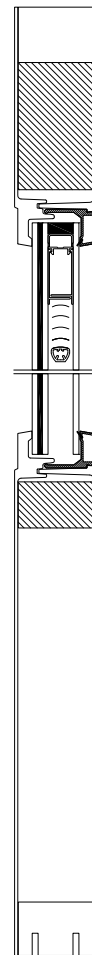
W/MINI-BLIND



W/STD GLASS



W/MATTE GLASS



W/MINI-BLIND

SIGNED: 04/20/2020

NAN YA PLASTICS CORPORATION U.S.A.  
8989 NORTH LOOP EAST  
HOUSTON, TX 77029

SERIES "SLPS" GLAZED FIBERGLASS INSWING  
PATIO DOOR LITE W/SIDELITES - IMPACT  
APPROVED PANEL CONFIGURATIONS

DRAWN: A.R.	DWG NO. 08-03502	REV A
----------------	---------------------	----------

SCALE NTS	DATE 10/21/19	SHEET 17 OF 17
--------------	------------------	-------------------

L. ROBERTO LOMAS P.E.  
1432 WOODFORD RD LEWISVILLE, NC 27023  
434-688-0609 rllomas@rlomaspe.com



Luis R. Lomas P.E.  
TX No.: 101889