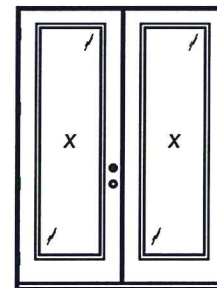
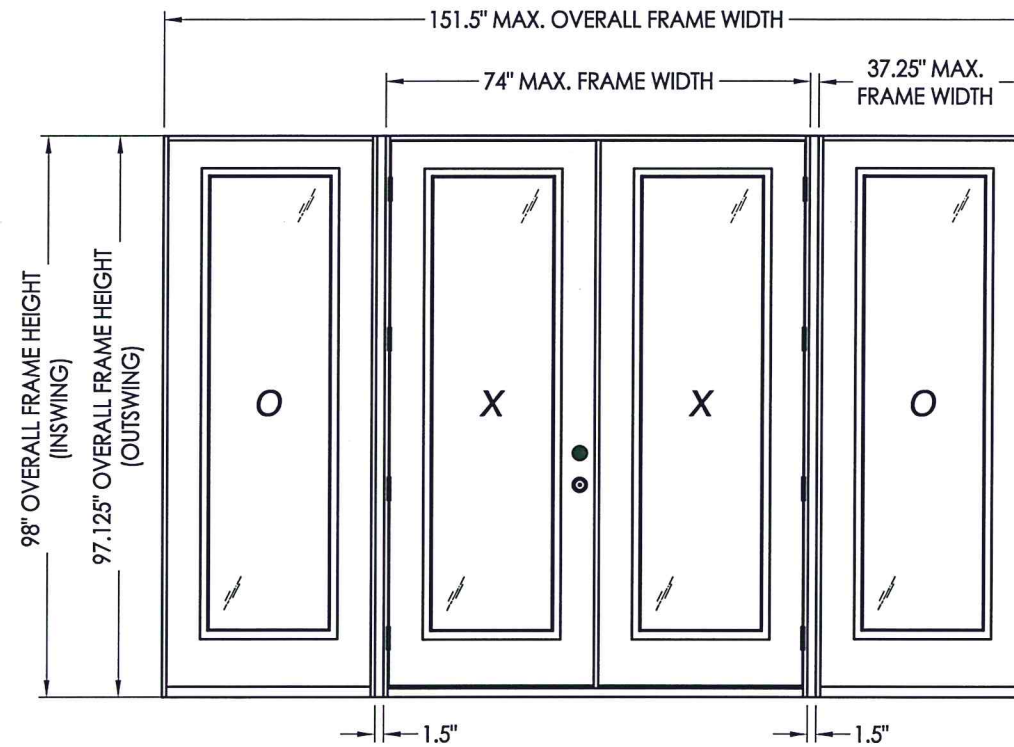


WINCORE™

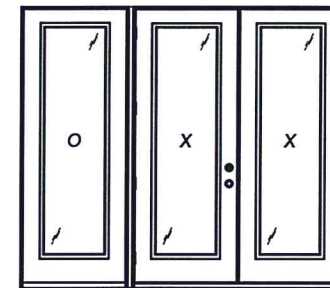
WINDOWS & DOORS

250 Staunton Turnpike, Parkersburg, WV 26104

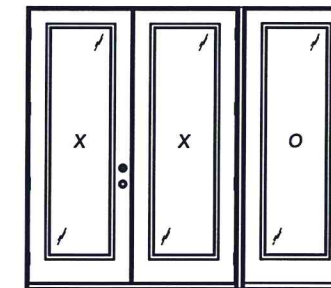
GLAZED FIBERGLASS DOORS DOUBLES w/ or w/o SIDELITES IN SWING / OUT SWING "IMPACT"



XX



OXX



XXO

| CONFIGURATION | MAX. FRAME DIMENSION | DESIGN PRESSURE (PSF) INSWING | | DESIGN PRESSURE (PSF) OUTSWING | |
|---------------|----------------------|-------------------------------|-----------|--------------------------------|----------|
| | | POSITIVE | NEGATIVE | POSITIVE | NEGATIVE |
| | | XX | 74" x 98" | +50.0 | -50.0 |
| OXX, XXO | 112.75" x 98" | +50.0 | -50.0 | +50.0 | -50.0 |
| OXXO | 151.5" x 98" | +50.0 | -50.0 | +50.0 | -50.0 |

EVALUATED FOR USE IN THE STATE OF TEXAS

The Fiberglass Door system described herein complies with the 2018 International Residential Code (IRC), Sections R301 & R609 and the 2018 International Building Code (IBC), Sections 1404.13, 1609, 1709.5, 2403 and 2404 subject to the following conditions:

1. Anchors shall be as listed and spaced as shown in the details. Anchor embedment to base material shall be beyond wall dressing or stucco.
2. This system has been tested and evaluated as a large missile impact protective system for installation in the Seaward, Inland I and Inland II areas. This product meets missile level "D" as defined in ASTM E 1996.
3. Allowable design pressure requirements must be equal to or less than the design pressure rating shown in the design pressure chart, sheet 1 of this drawing.
4. Conditions not covered by this drawing are subject to further engineering analysis.

TABLE OF CONTENTS

| SHEET # | DESCRIPTION |
|---------|--|
| 1 | Typical Elevations, Design Pressures & General Notes |
| 2 | Door & Sidelite Panel Details |
| 3 | Lite Frame Glazing Details |
| 4 | Elevations |
| 5 | Horizontal & Vertical Cross Sections |
| 6 | Vertical Cross Sections |
| 7 | Frame Anchoring & Hardware Details |
| 8 | Bill of Materials & Components |



Documents Prepared By: Lyndon F. Schmidt, P.E.
TEXAS P.E. #104123

RW BUILDING CONSULTANTS, INC.
P.O. Box 230 Valrico FL 33595
Phone No.: 813.659.9197

TEXAS BOARD OF PROFESSIONAL ENGINEERS
CERTIFICATE OF REGISTRATION # F-11852

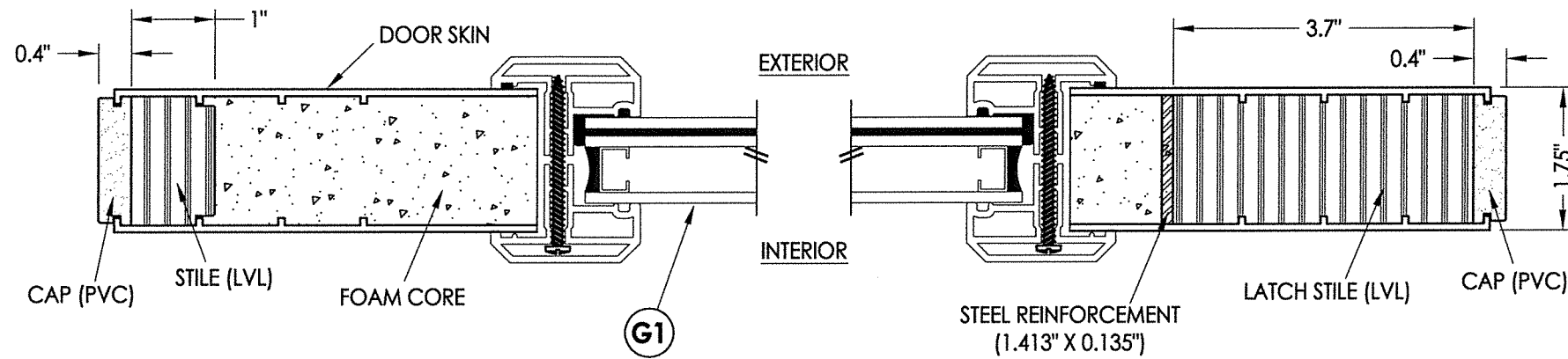
PRODUCT: WINCORE FIBERGLASS ENTRY DOOR "Impact"

PART OR ASSEMBLY: TYPICAL ELEVATION, DESIGN PRESSURES & GENERAL NOTES

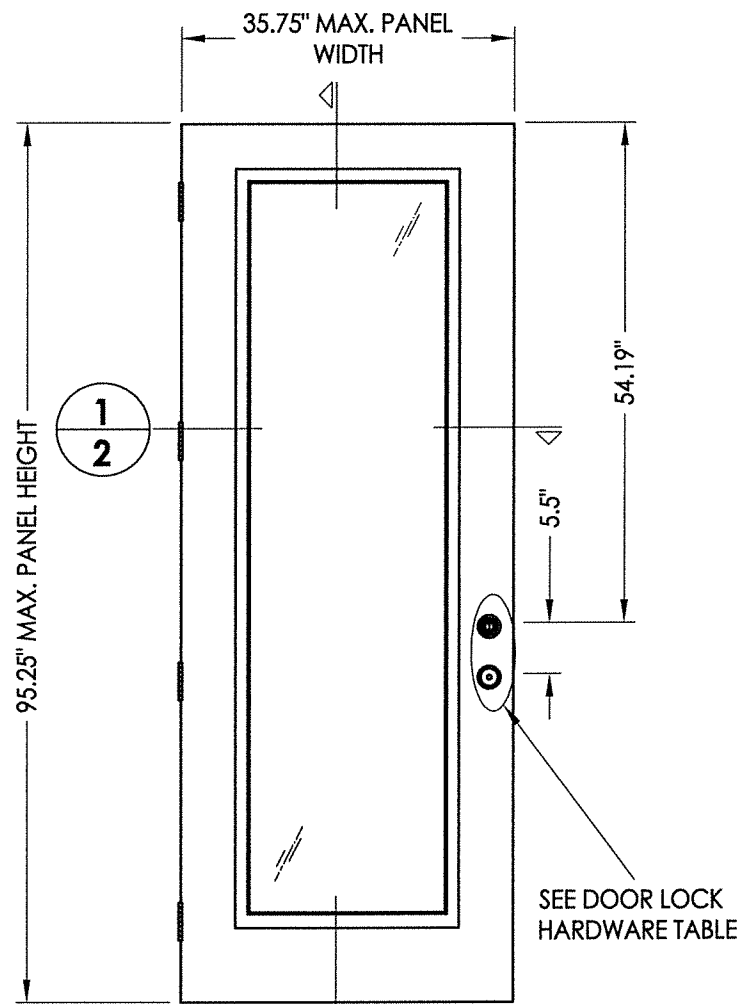
| NO. | DATE | BY | REVISIONS |
|-----|------|----|-----------|
| | | | |

DATE: 12/4/19
SCALE: N.T.S.
DWG. BY: RW
CHK. BY: LFS
DRAWING NO.: TX-4967
SHEET 1 OF 8

R:\Clients\Wincore PERMANENT\B - Texas Dept of Ins\Doors\TDI XXX - GLZ FG Door, Impact\C - Drawings\TX-4966.67 - dwg, 2.2



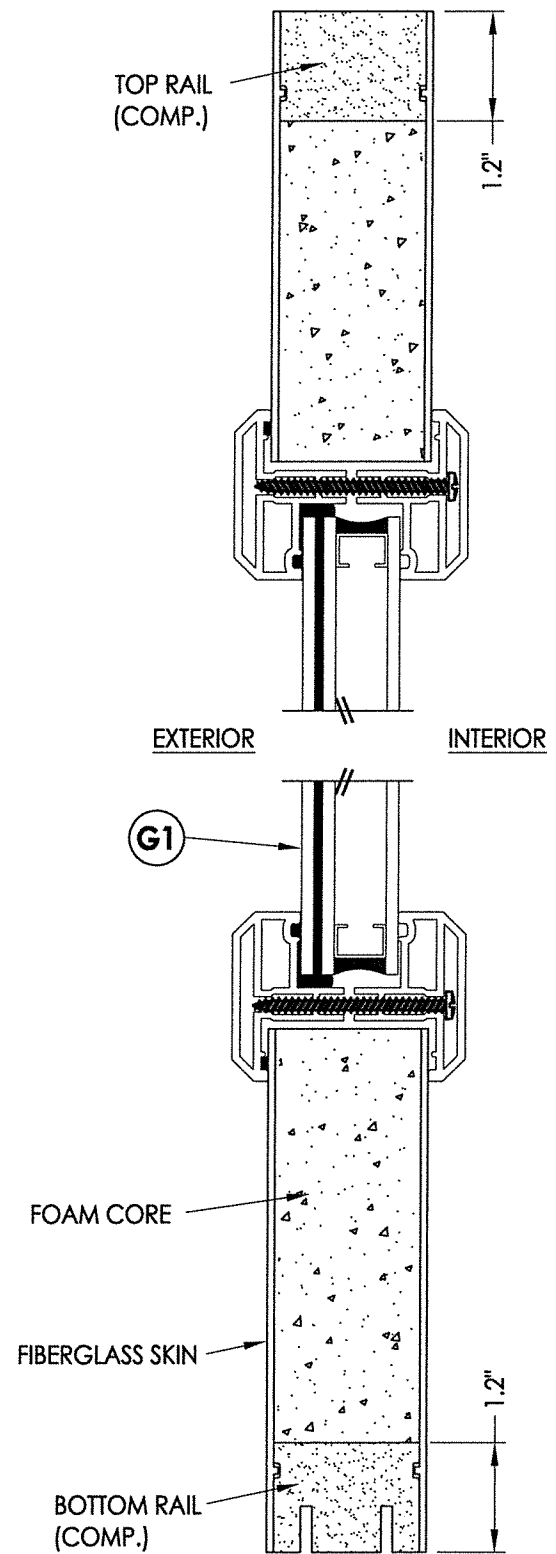
1
2 HORIZONTAL CROSS SECTION



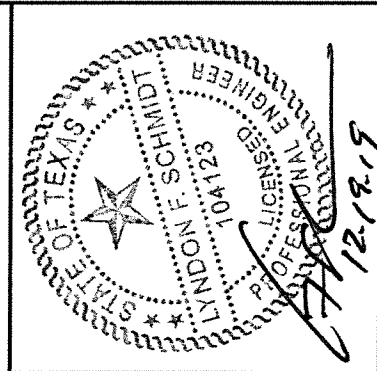
- 2**
2
- 40** PLASTPRO DOOR PANEL
- 50** PLASTPRO SIDELITE PANEL

| DOOR LOCK HARDWARE TABLE | |
|--------------------------|---|
| MANUFACTURER | MODEL |
| ENDURA | TRILENNIUM 3000 SERIES MULTI-POINT LOCK (3 pt.) |
| SCHLAGE | KNOB: "F" SERIES (F60) DEADBOLT: "B" SERIES (B60/62) |
| KWSIKSET | KNOB: SERIES (400) DEADBOLT: SERIES (660) |

FIBERGLASS SKIN: 0.075" MIN. THK.
FOAM CORE: POLYURETHANE - 1.9 PCF MIN.)



2
2 VERTICAL CROSS SECTION



Documents Prepared By: Lyndon F. Schmidt, P.E.
TEXAS P.E. #104123

RW BUILDING CONSULTANTS, INC.
P.O. Box 230 Valrico FL 33595
Phone No.: 813.659.9197

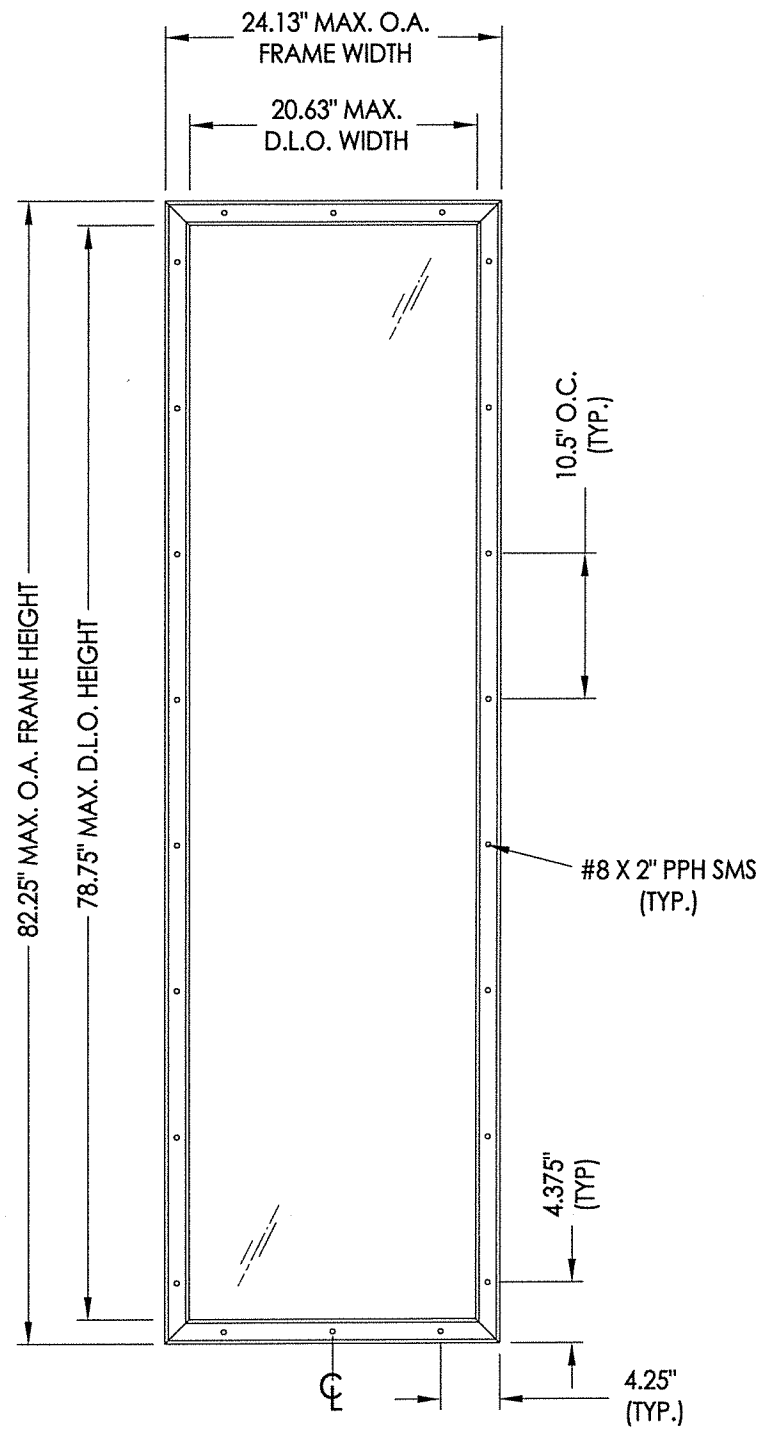
TEXAS BOARD OF PROFESSIONAL ENGINEERS
CERTIFICATE OF REGISTRATION # F-11852

PRODUCT: WINCORE FIBERGLASS ENTRY DOOR "Impact"

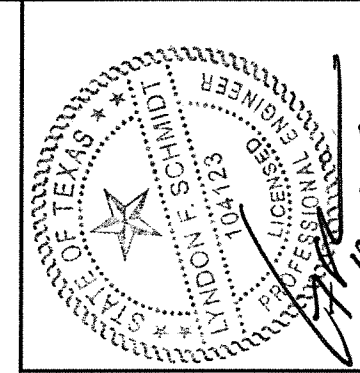
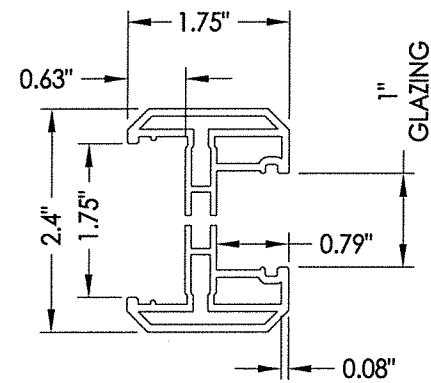
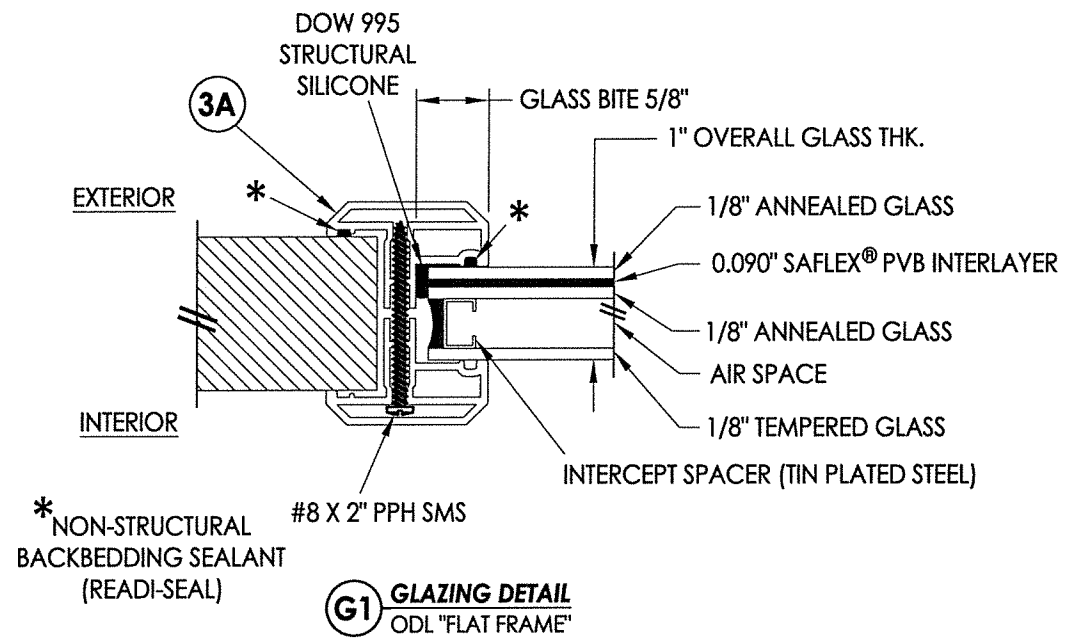
PART OR ASSEMBLY: DOOR & SIDELITE PANEL DETAILS

| NO. | DATE | BY | REVISIONS |
|-----|------|----|-----------|
| | | | |
| | | | |
| | | | |

DATE: 12/4/19
SCALE: N.T.S.
DWG. BY: RW
CHK. BY: LFS
DRAWING NO.: TX-4967
SHEET 2 OF 8



ODL LITE FRAME DETAIL
"FLAT FRAME" PROFILE



Documents Prepared By: Lyndon F. Schmidt, P.E.
TEXAS P.E. #104123

RW BUILDING CONSULTANTS, INC.
P.O. Box 230 Valrico FL, 33595
Phone No.: 813.659.9197

TEXAS BOARD OF PROFESSIONAL ENGINEERS
CERTIFICATE OF REGISTRATION # F-11852

PRODUCT: WINCORE
FIBERGLASS ENTRY DOOR
"Impact"

PART OR ASSEMBLY:
LITE FRAME
GLAZING DETAILS

| NO. | DATE | BY |
|-----|------|----|
| | | |
| | | |
| | | |
| | | |
| | | |
| | | |
| | | |
| | | |
| | | |
| | | |
| | | |

DATE: 12/4/19

SCALE: N.T.S.

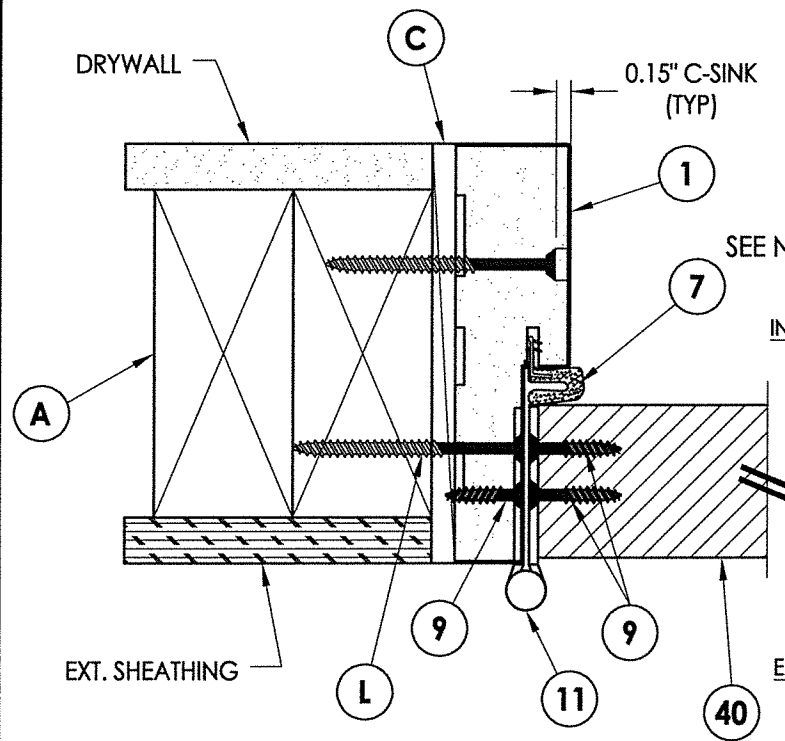
DWG. BY: RW

CHK. BY: LFS

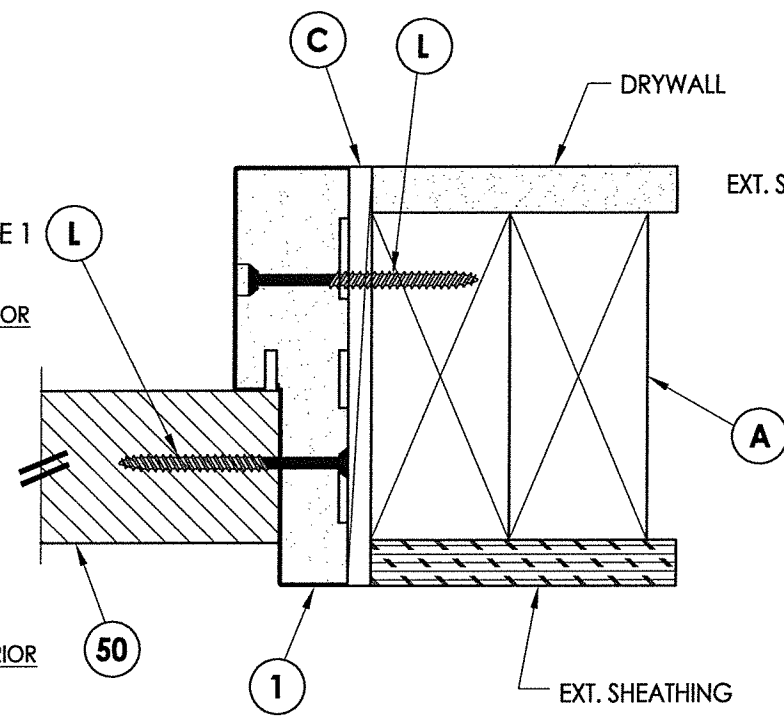
DRAWING NO.:

TX-4967

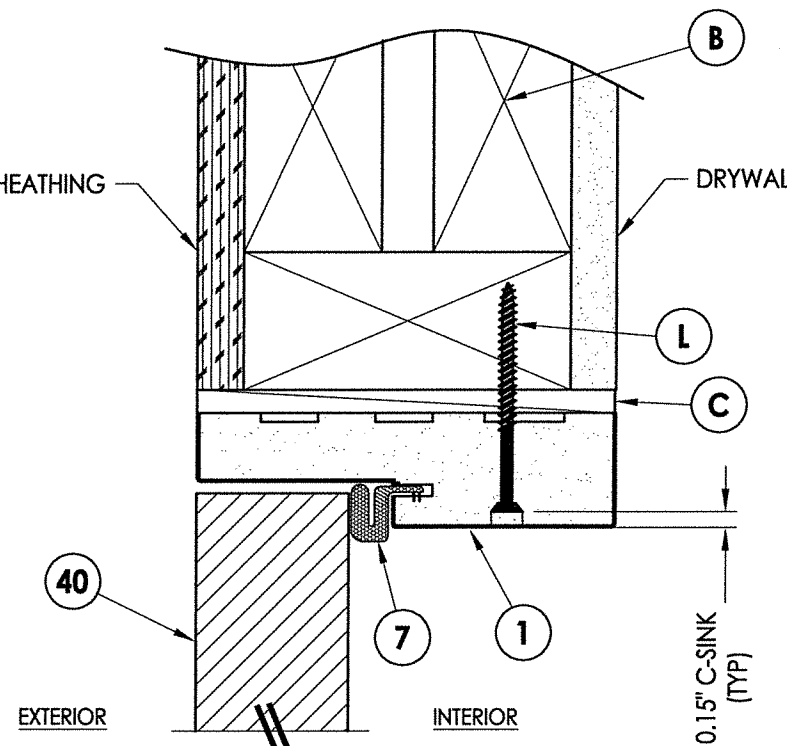
SHEET 3 OF 8



1 HORIZONTAL CROSS SECTION
5 Outswing shown (Inswing similar)



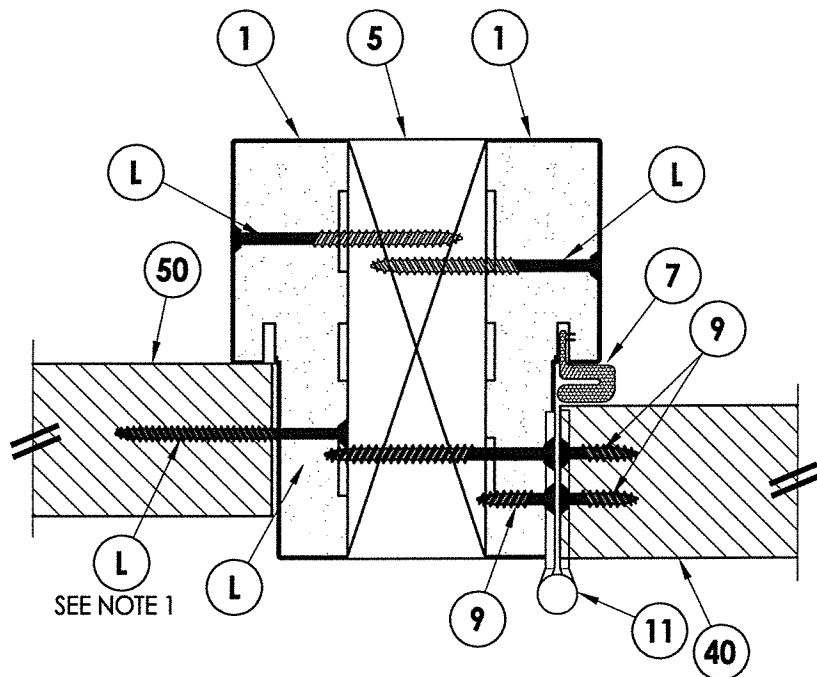
2 HORIZONTAL CROSS SECTION
5 Outswing shown (Inswing similar)



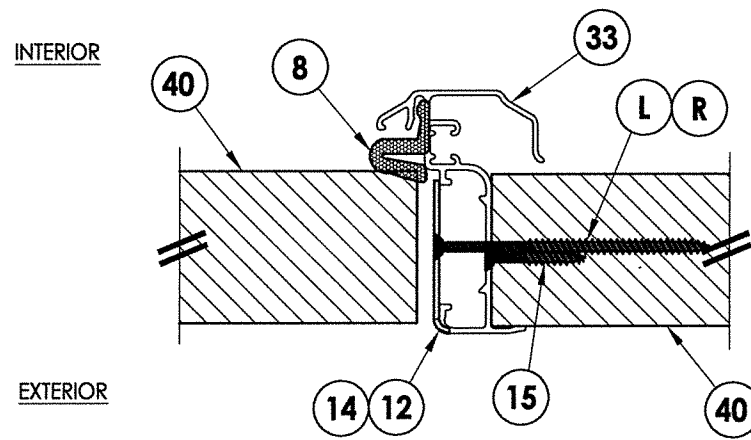
3 VERTICAL CROSS SECTION
5 Outswing shown (Inswing similar)

NOTES:

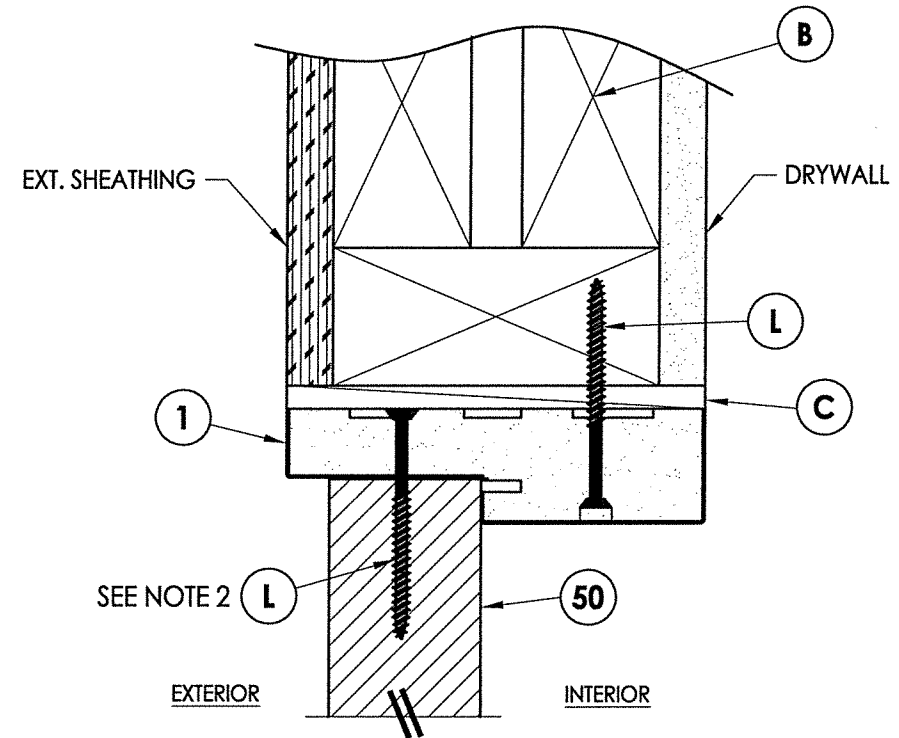
1. Spacing for item L: 6" from each end and 5 more equally spaced along sidelite jamb (7 total).
2. Spacing for item L @ head & sill: 6" from each end, 1 @ centerline, 2 additional at 3" & 4.5" from end adjacent to door.



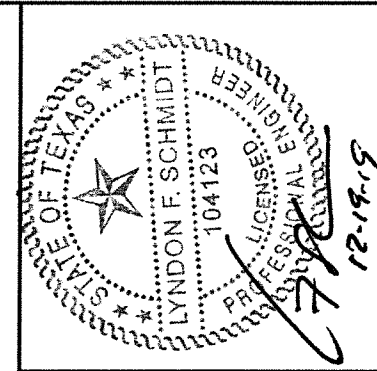
5 HORIZONTAL CROSS SECTION
5 Outswing shown (Inswing similar)



6 HORIZONTAL CROSS SECTION
5 Inswing shown (Outswing similar)



4 VERTICAL CROSS SECTION
5 Outswing shown (Inswing similar)



Documents Prepared By: Lyndon F. Schmidt, P.E.
TEXAS P.E. #104123

RW BUILDING CONSULTANTS, INC.
P.O. Box 230 Valrico FL 33595
Phone No.: 813.659.9197

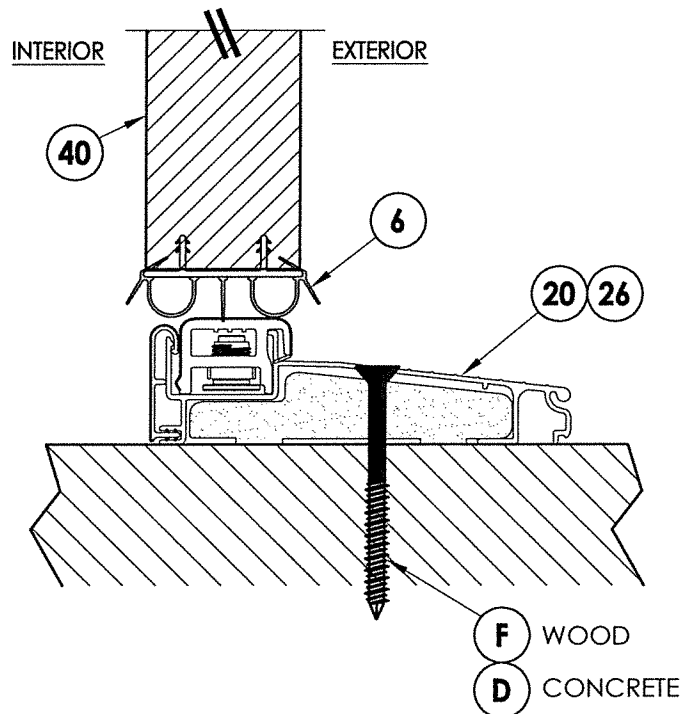
TEXAS BOARD OF PROFESSIONAL ENGINEERS
CERTIFICATE OF REGISTRATION # F-11852

PRODUCT: WINCORE FIBERGLASS ENTRY DOOR "Impact"

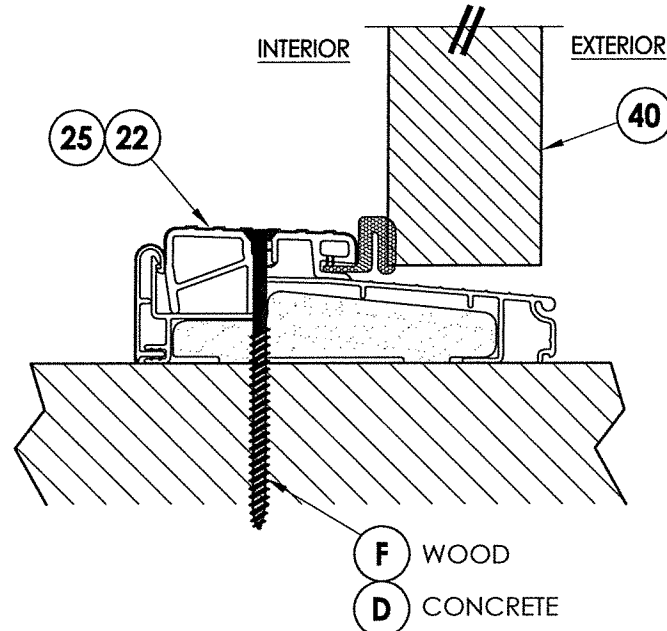
PART OR ASSEMBLY: HORIZONTAL & VERTICAL CROSS SECTIONS

| NO. | DATE | REVISIONS | BY |
|-----|------|-----------|----|
| | | | |
| | | | |
| | | | |

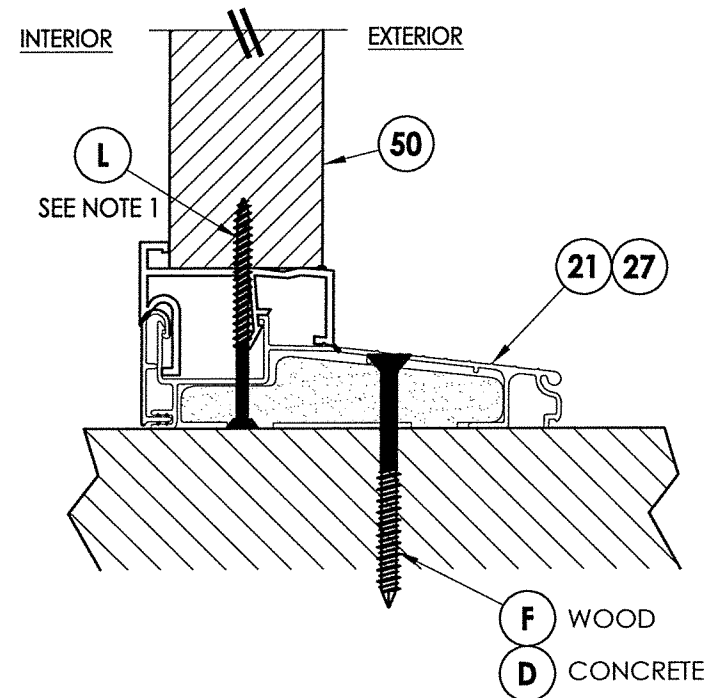
DATE: 12/4/19
SCALE: N.T.S.
DWG. BY: RW
CHK. BY: LFS
DRAWING NO.: TX-4967
SHEET 5 OF 8



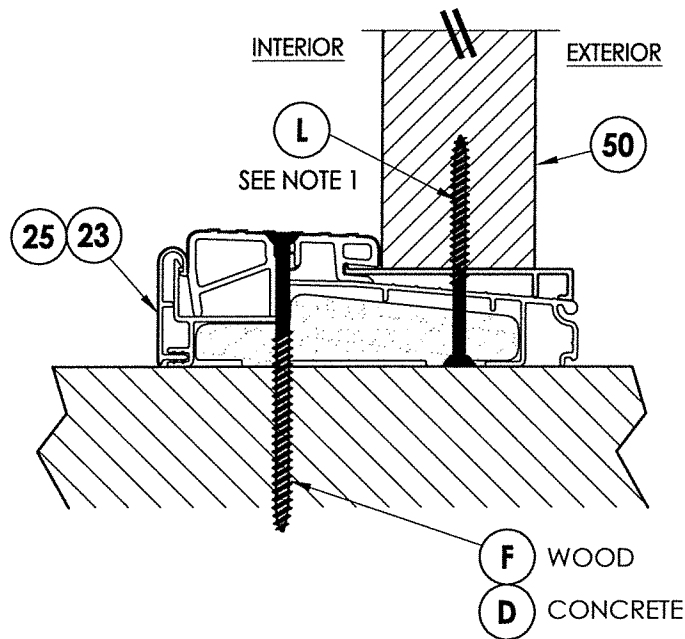
1
7 **VERTICAL CROSS SECTION**
Inswing sill



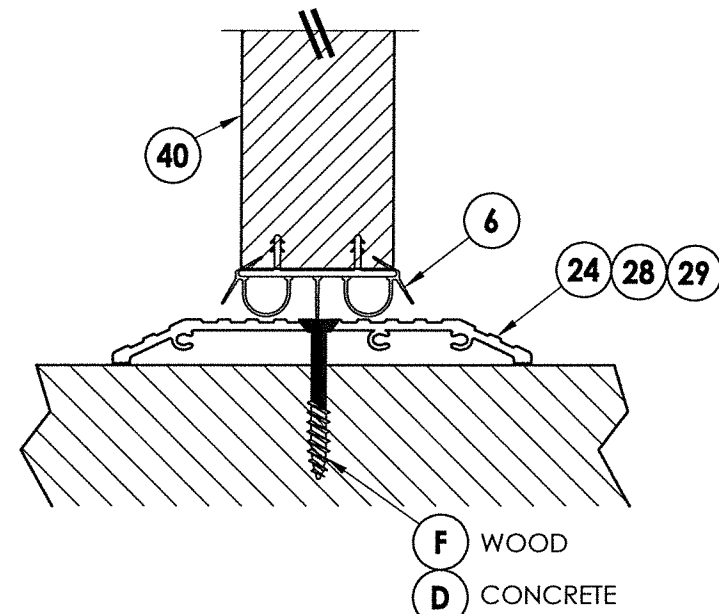
2
7 **VERTICAL CROSS SECTION**
Outswing sill



4
7 **VERTICAL CROSS SECTION**
Inswing sill

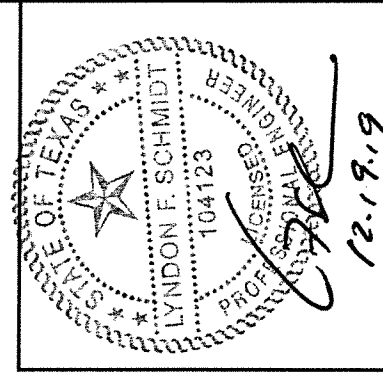


5
7 **VERTICAL CROSS SECTION**
Inswing sill



3
7 **VERTICAL CROSS SECTION**
ADA Sill

NOTE:
1. Spacing for item L @ head & sill: 6" from each end,
1 @ centerline, 2 additional at 3" & 4.5" from end
adjacent to door.



Documents Prepared By: Lyndon F. Schmidt, P.E.
TEXAS P.E. #104123

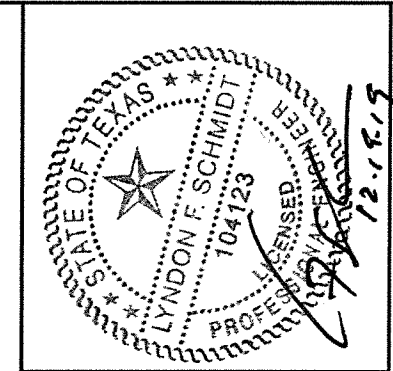
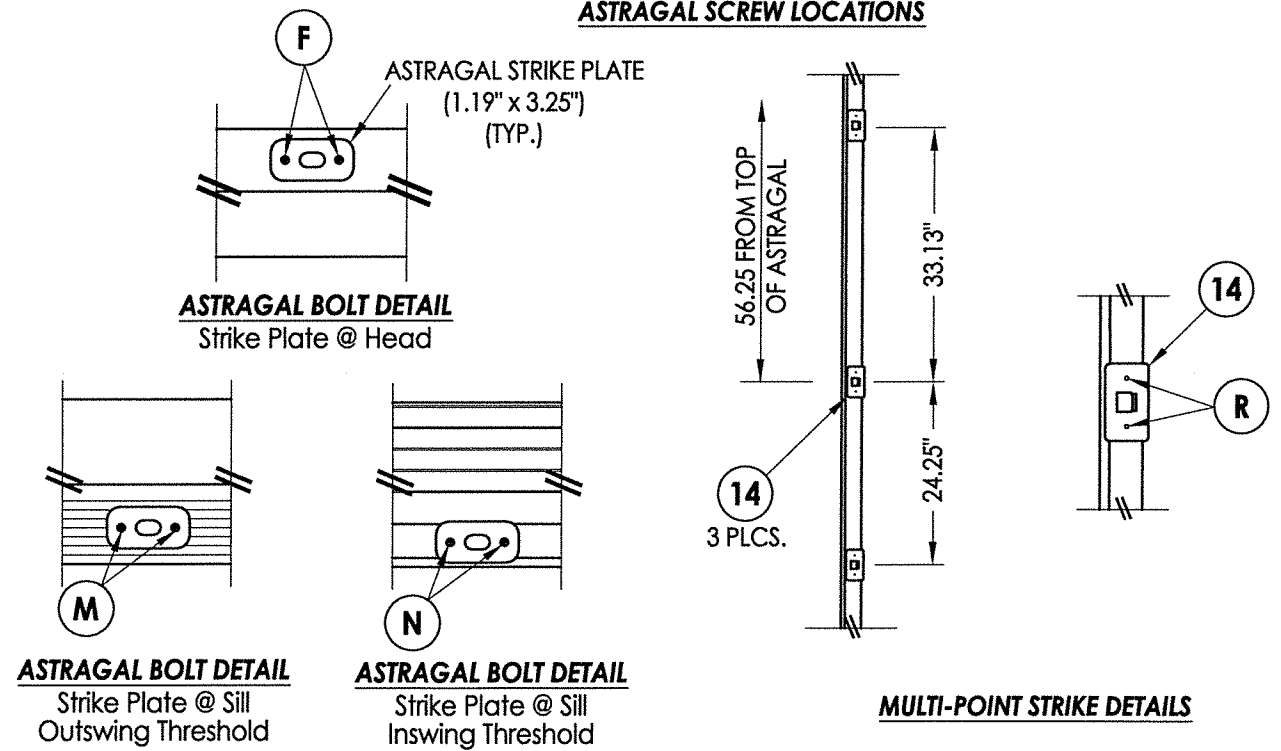
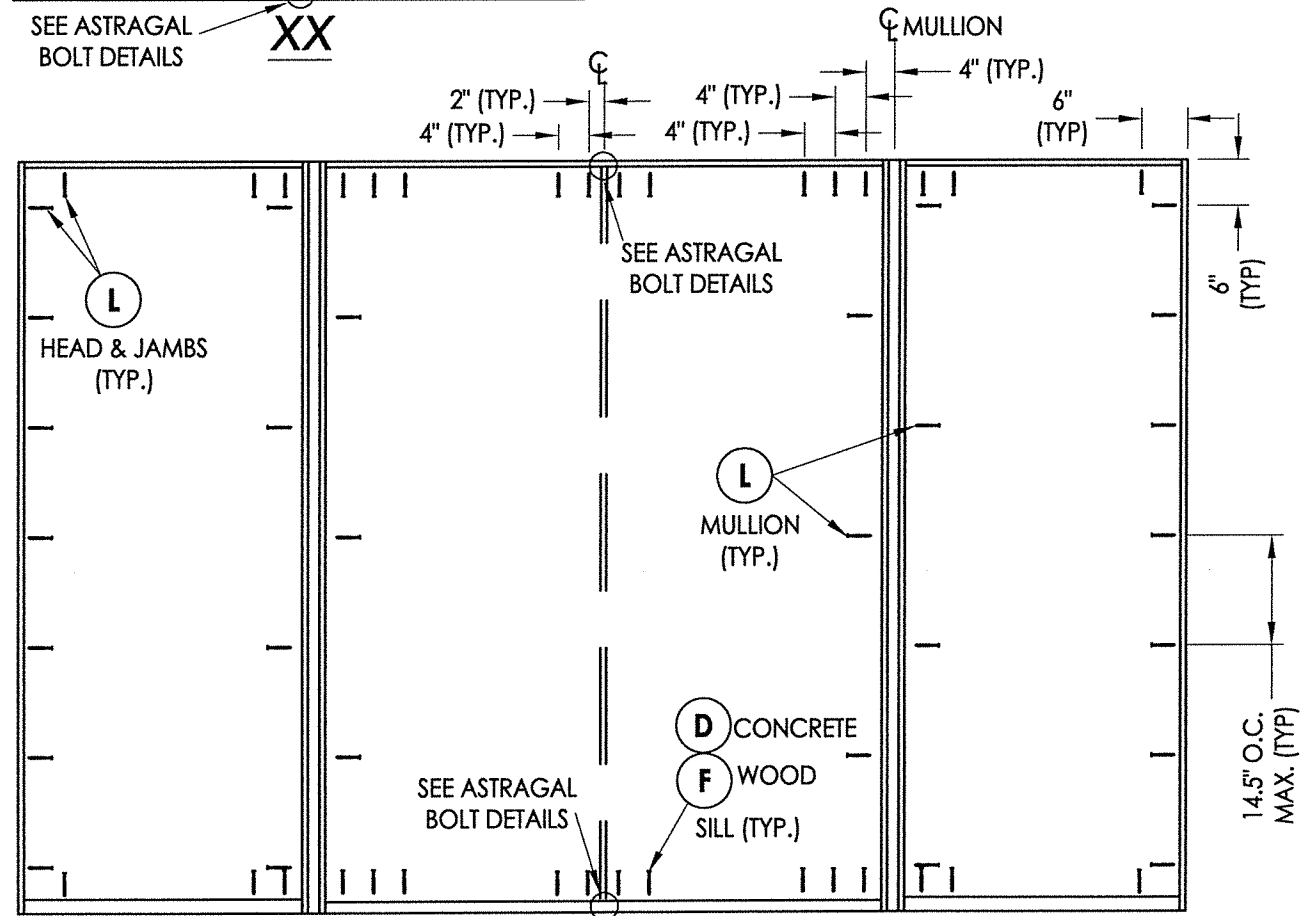
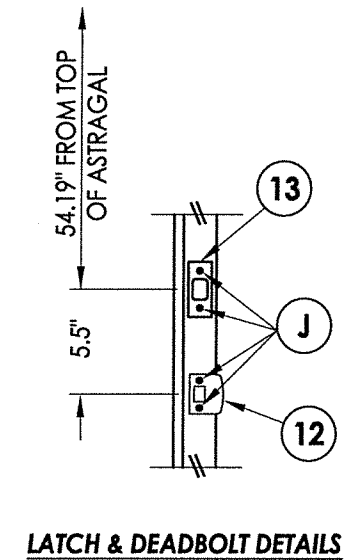
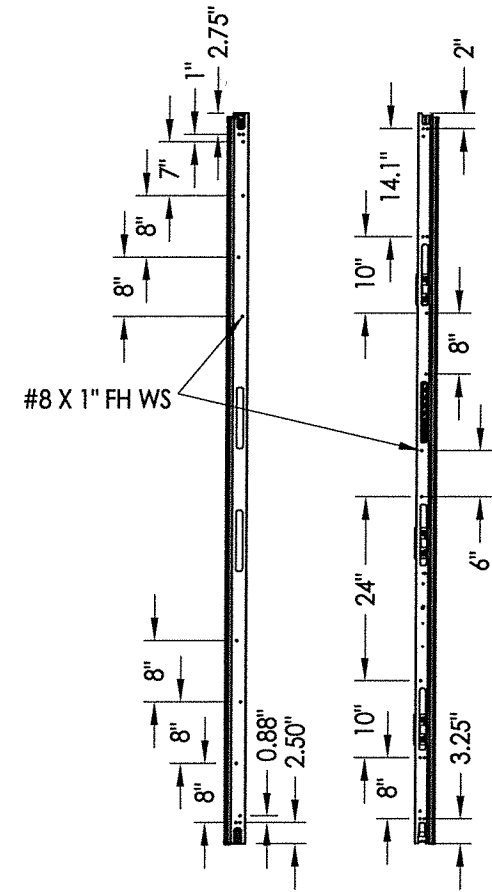
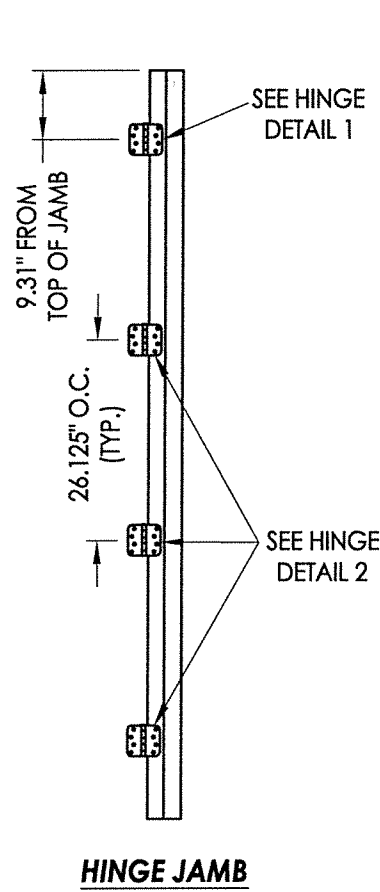
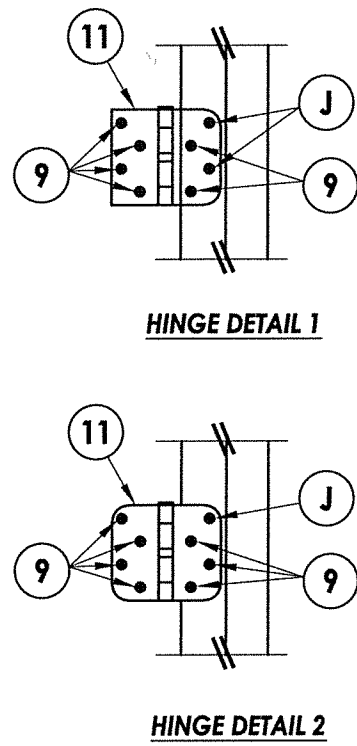
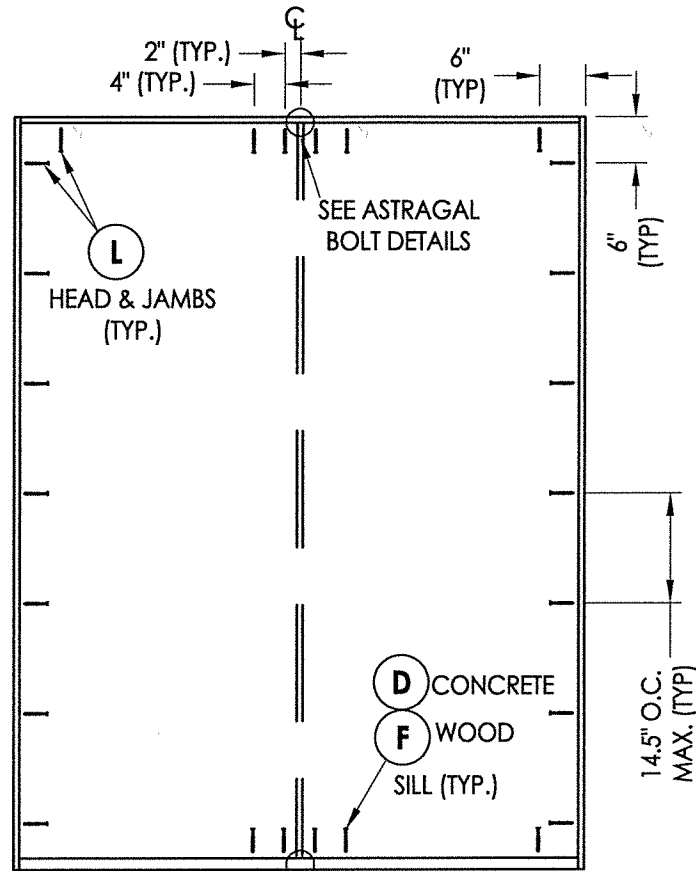
RW BUILDING CONSULTANTS, INC.
P.O. Box 230 Valrico FL, 33595
Phone No.: 813.659.9197
TEXAS BOARD OF PROFESSIONAL ENGINEERS
CERTIFICATE OF REGISTRATION # F-11852

PRODUCT: WINCORE
FIBERGLASS ENTRY DOOR
Impact

PART OR ASSEMBLY:
VERTICAL CROSS
SECTIONS

| NO. | DATE | BY | REVISIONS |
|-----|------|----|-----------|
| | | | |
| | | | |
| | | | |

DATE: 12/4/19
SCALE: N.T.S.
DWG. BY: RW
CHK. BY: LFS
DRAWING NO.: TX-4967
SHEET 6 OF 8



Documents Prepared By: Lyndon F. Schmidt, P.E.
 TEXAS P.E. #104123

RW BUILDING CONSULTANTS, INC.
 P.O. Box 230 Valrico FL 33595
 Phone No.: 813.659.9197

TEXAS BOARD OF PROFESSIONAL ENGINEERS
 CERTIFICATE OF REGISTRATION # F-11852

PRODUCT: WINCORE FIBERGLASS ENTRY DOOR "Impact"

PART OR ASSEMBLY: FRAME ANCHORING & HARDWARE DETAILS

| NO. | DATE | BY | REVISIONS |
|-----|------|----|-----------|
| | | | |
| | | | |
| | | | |

DATE: 12/4/19
 SCALE: N.T.S.
 DWG. BY: RW
 CHK. BY: LFS
 DRAWING NO.: TX-4967
 SHEET 7 OF 8

OXXO (Shown)
 XXO, OXX (Similar - Use jamb anchoring from XX above)

FRAME ANCHORING

HARDWARE DETAILS

