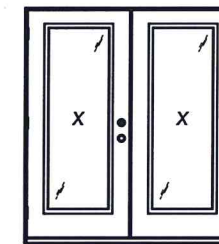
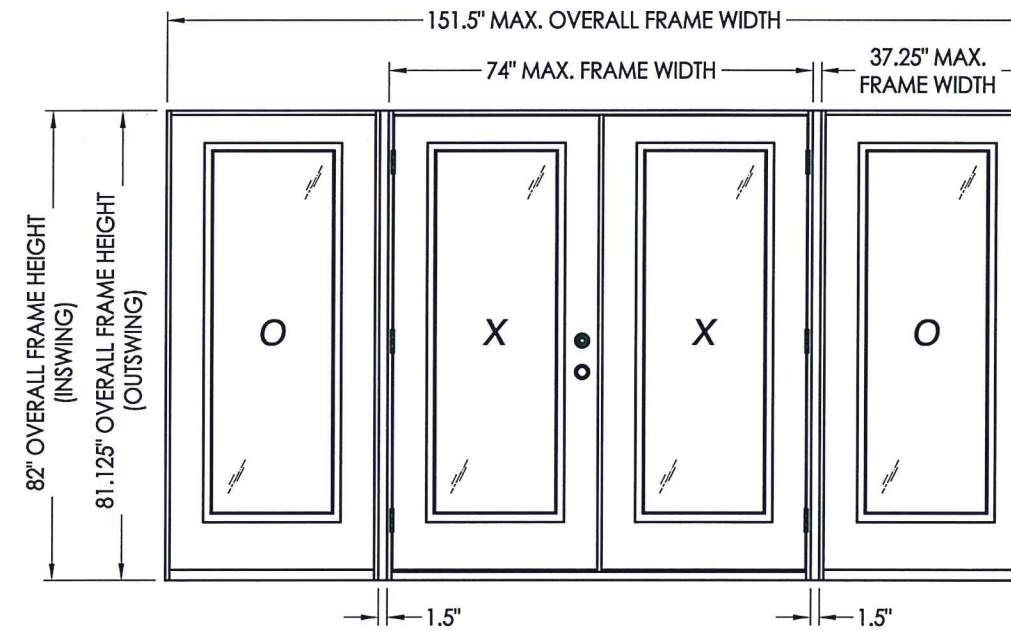


WINCORE™

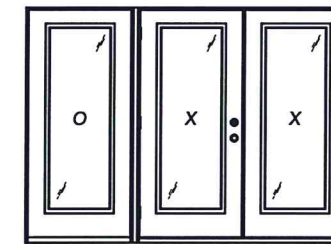
WINDOWS & DOORS

250 Staunton Turnpike, Parkersburg, WV 26104

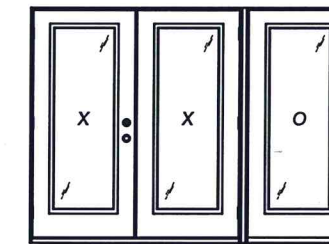
GLAZED FIBERGLASS DOORS DOUBLES w/ or w/o SIDELITES IN SWING / OUT SWING "IMPACT"



XX



OXX



XXO

CONFIGURATION	MAX. FRAME DIMENSION	DESIGN PRESSURE (PSF) INSWING		DESIGN PRESSURE (PSF) OUTSWING	
		POSITIVE	NEGATIVE	POSITIVE	NEGATIVE
XX	74" x 82"	+50.0	-50.0	+50.0	-50.0
OXX, XXO	112.75" x 82"	+50.0	-50.0	+50.0	-50.0
OXXO	151.5" x 82"	+50.0	-50.0	+50.0	-50.0

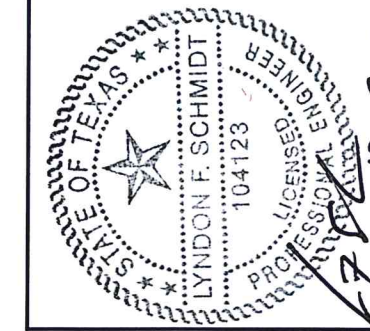
EVALUATED FOR USE IN THE STATE OF TEXAS

The Fiberglass Door system described herein complies with the 2018 International Residential Code (IRC), Sections R301 & R609 and the 2018 International Building Code (IBC), Sections 1404.13, 1609, 1709.5, 2403 and 2404 subject to the following conditions:

1. Anchors shall be as listed and spaced as shown in the details. Anchor embedment to base material shall be beyond wall dressing or stucco.
2. This system has been tested and evaluated as a large missile impact protective system for installation in the Seaward, Inland I and Inland II areas. This product meets missile level "D" as defined in ASTM E 1996.
3. Allowable design pressure requirements must be equal to or less than the design pressure rating shown in the design pressure chart, sheet 1 of this drawing.
4. Conditions not covered by this drawing are subject to further engineering analysis.

TABLE OF CONTENTS

SHEET #	DESCRIPTION
1	Typical Elevations, Design Pressures & General Notes
2	Door & Sidelite Panel Details
3	Lite Frame Glazing Details
4	Elevations
5	Horizontal & Vertical Cross Sections
6	Vertical Cross Sections
7	Frame Anchoring & Hardware Details
8	Bill of Materials & Components



Documents Prepared By: Lyndon F. Schmidt, P.E.
TEXAS P.E. #104123

RW BUILDING CONSULTANTS, INC.
P.O. Box 230 Valrico FL 33595
Phone No.: 813.659.9197

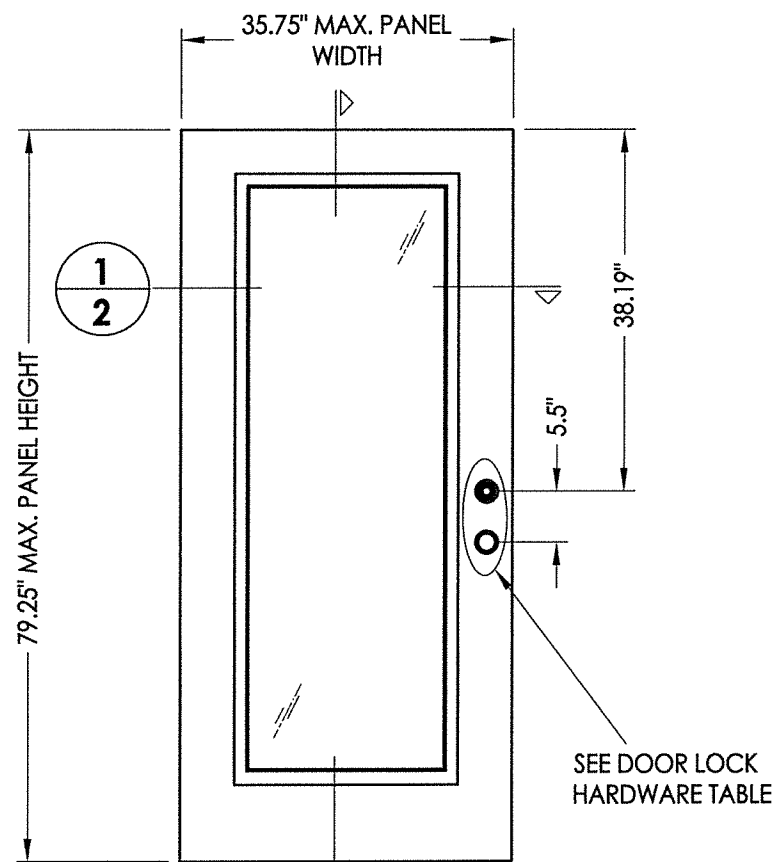
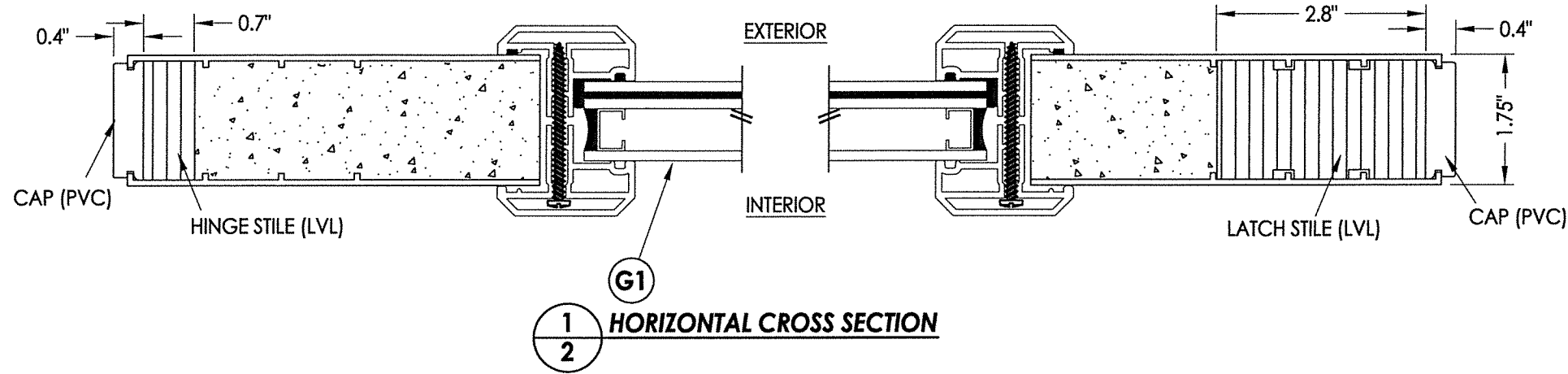
TEXAS BOARD OF PROFESSIONAL ENGINEERS
CERTIFICATE OF REGISTRATION # F-11852

PRODUCT: WINCORE FIBERGLASS ENTRY DOOR "Impact"
PART OR ASSEMBLY: TYPICAL ELEVATION, DESIGN PRESSURES & GENERAL NOTES

NO.	DATE	BY	REVISIONS

DATE: 8/05/19
SCALE: N.T.S.
DWG. BY: RW
CHK. BY: LFS
DRAWING NO.: TX-4965
SHEET 1 OF 8

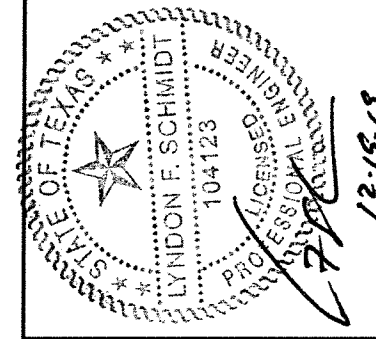
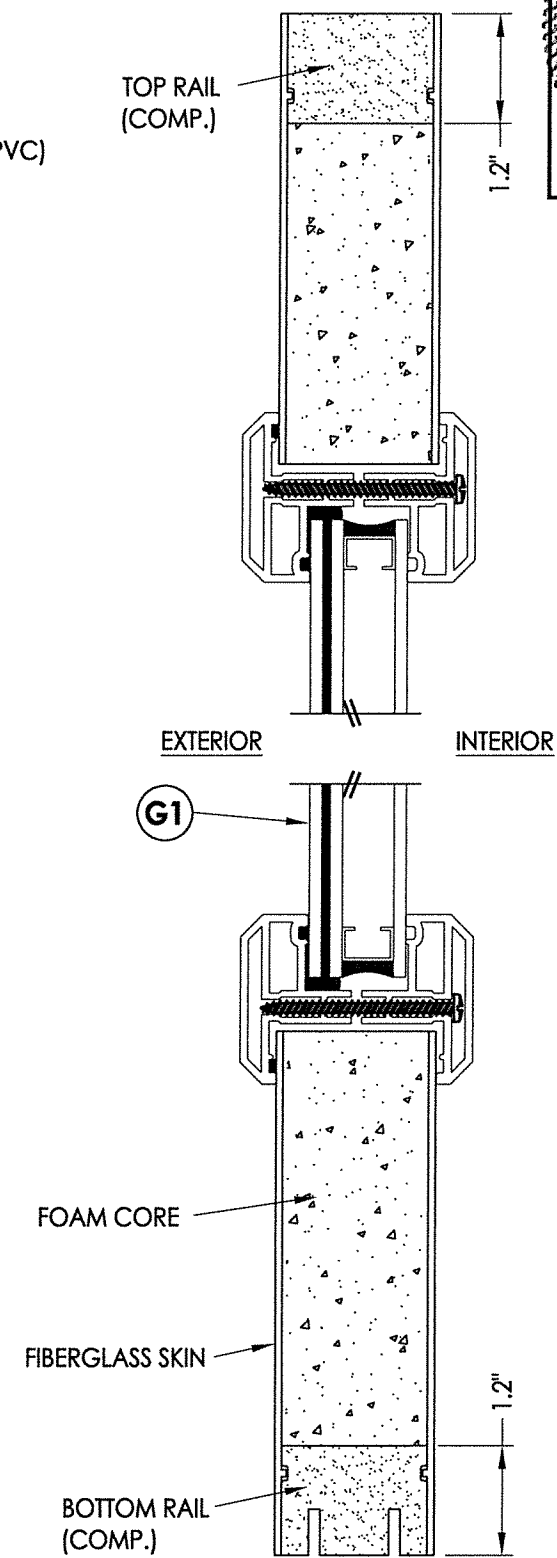
R:\Clients\Wincore PERMANENT\B - Texas Dept of Ins\Doors\TDI XXX - GLZ FG Door, Impact\C - Drawings\TX-4964.65.dwg, 2.2



- 40** PLASTPRO DOOR PANEL
- 50** PLASTPRO SIDELITE PANEL

FIBERGLASS SKIN: 0.075" MIN. THK.
FOAM CORE: POLYURETHANE - 1.9 PCF MIN.)

DOOR LOCK HARDWARE TABLE	
MANUFACTURER	MODEL
ENDURA	TRILENNIUM 3000 SERIES MULTI-POINT LOCK (3 pt.)
SCHLAGE	KNOB: "F" SERIES (F60) DEADBOLT: "B" SERIES (B60/62)
KWSIKSET	KNOB: SERIES (400) DEADBOLT: SERIES (660)



Documents Prepared By: Lyndon F. Schmidt, P.E.
TEXAS P.E. #104123

RW BUILDING CONSULTANTS, INC.
P.O. Box 230 Valrico FL 33595
Phone No.: 813.659.9197

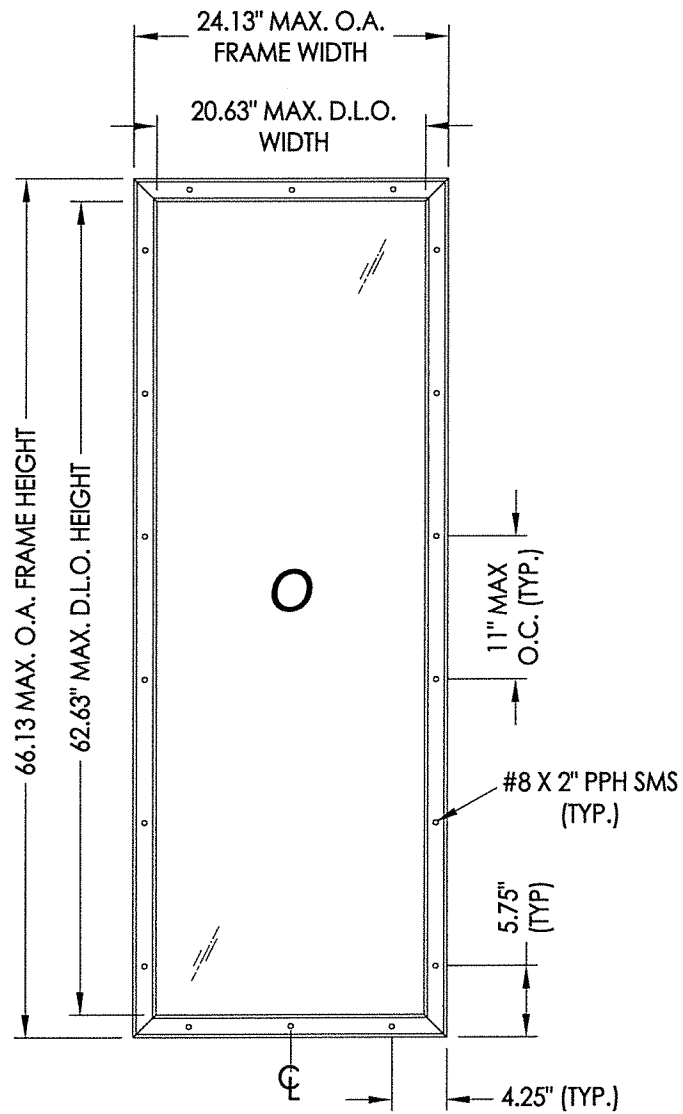
TEXAS BOARD OF PROFESSIONAL ENGINEERS
CERTIFICATE OF REGISTRATION # F-11852

PRODUCT: WINCORE FIBERGLASS ENTRY DOOR "Impact"

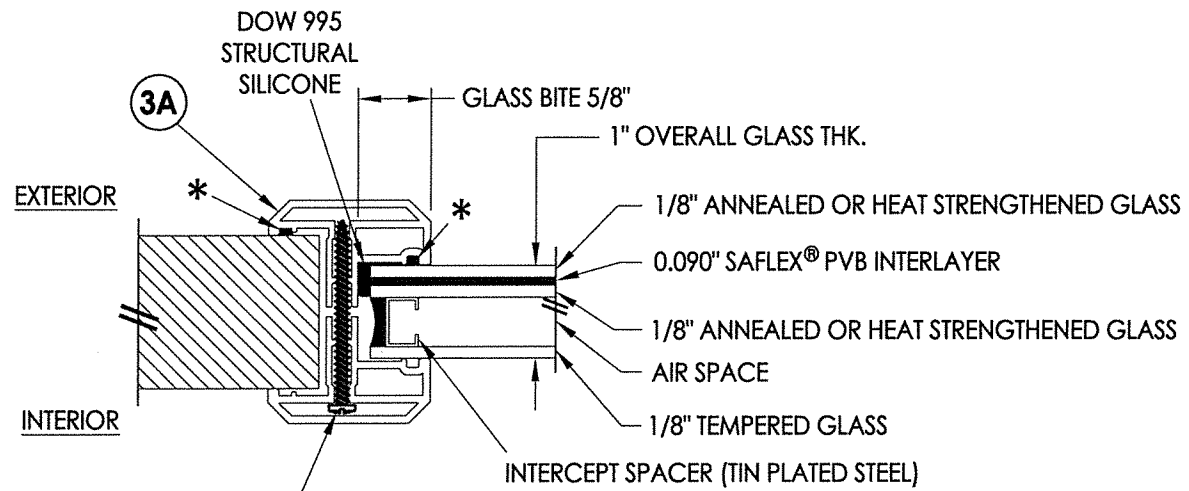
PART OR ASSEMBLY: DOOR & SIDELITE PANEL DETAILS

NO.	DATE	BY	REVISIONS

DATE: 8/05/19
SCALE: N.T.S.
DWG. BY: RW
CHK. BY: LFS
DRAWING NO.: TX-4965
SHEET 2 OF 8



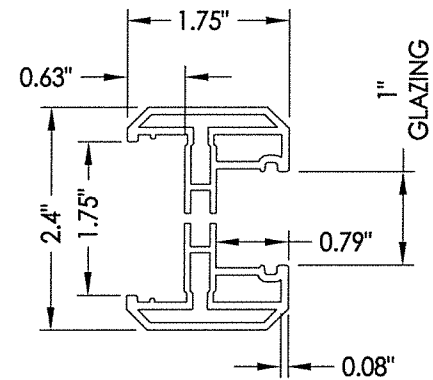
ODL LITE FRAME DETAIL
"FLAT FRAME" PROFILE



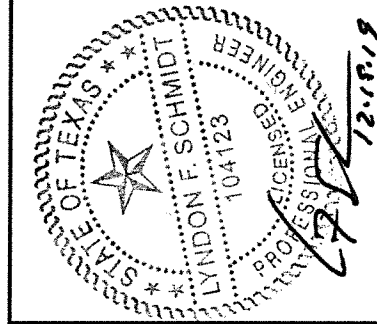
* NON-STRUCTURAL
BACKBEDDING SEALANT
(READI-SEAL)

#8 X 2" PPH SMS

G1 GLAZING DETAIL
ODL "FLAT FRAME"



3A ODL LITE FRAME
"FLAT FRAME" PROFILE
(6063-T5 ALUM)



Documents Prepared By: Lyndon F. Schmidt, P.E.
TEXAS P.E. #104123

RW BUILDING CONSULTANTS, INC.
P.O. Box 230 Valrico FL, 33595
Phone No.: 813.659.9197
TEXAS BOARD OF PROFESSIONAL ENGINEERS
CERTIFICATE OF REGISTRATION # F-11852

PRODUCT: WINCORE
FIBERGLASS ENTRY DOOR
Impact

PART OR ASSEMBLY:
LITE FRAME
GLAZING DETAILS

NO.	DATE	REVISIONS	BY

DATE: 8/05/19

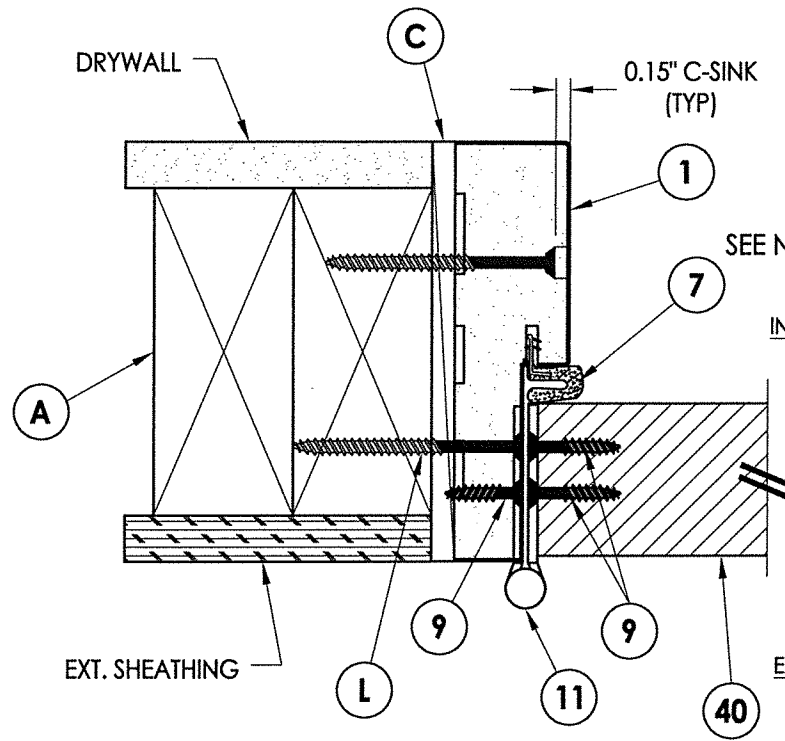
SCALE: N.T.S.

DWG. BY: RW

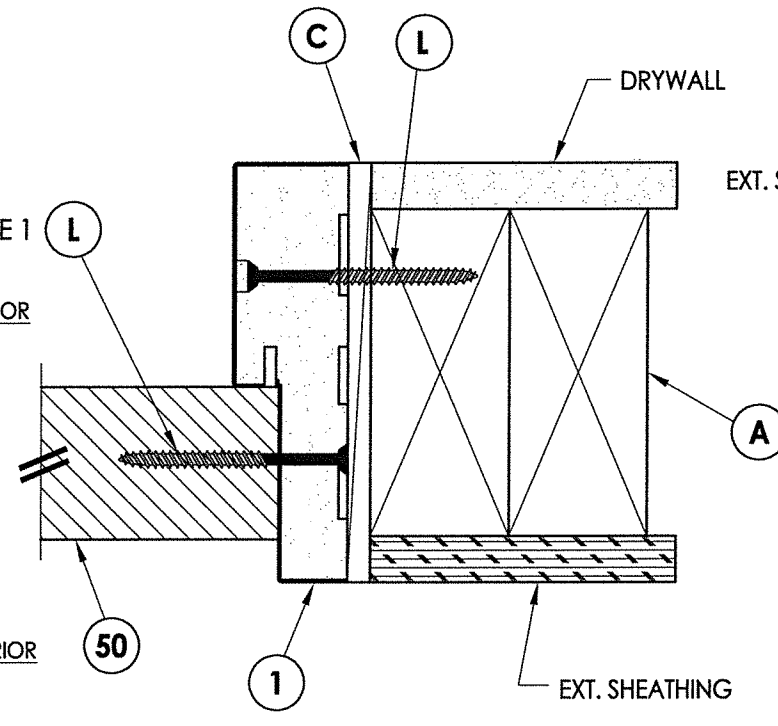
CHK. BY: LFS

DRAWING NO.:
TX-4965

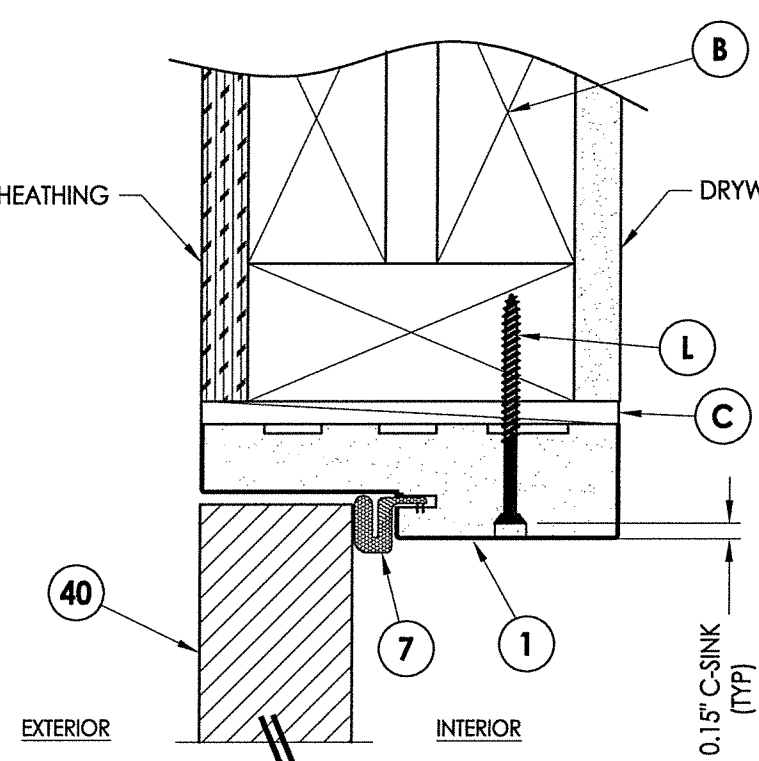
SHEET 3 OF 12



1 HORIZONTAL CROSS SECTION
5 Outswing shown (Inswing similar)

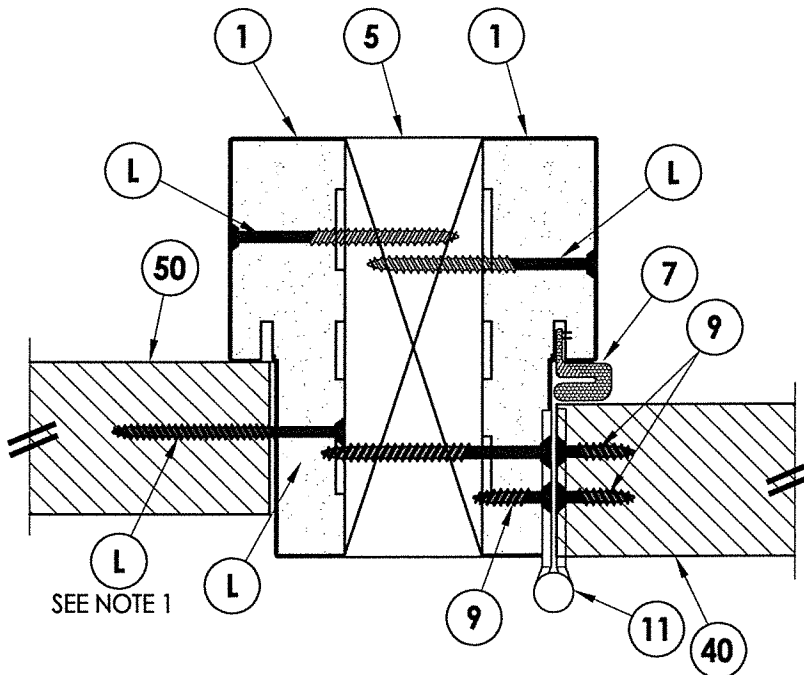


2 HORIZONTAL CROSS SECTION
5 Outswing shown (Inswing similar)

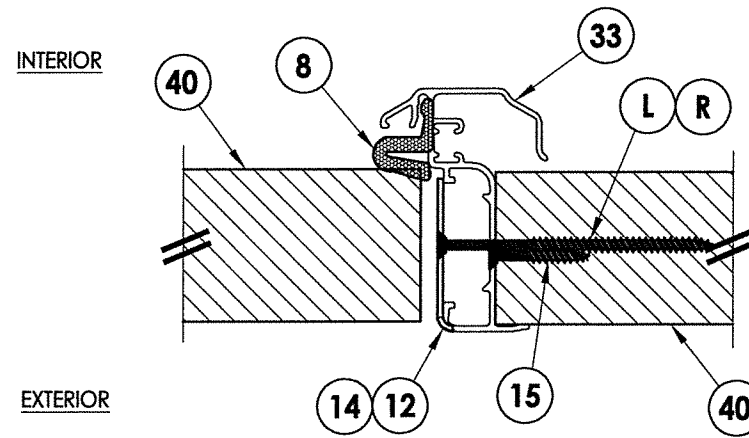


3 VERTICAL CROSS SECTION
5 Outswing shown (Inswing similar)

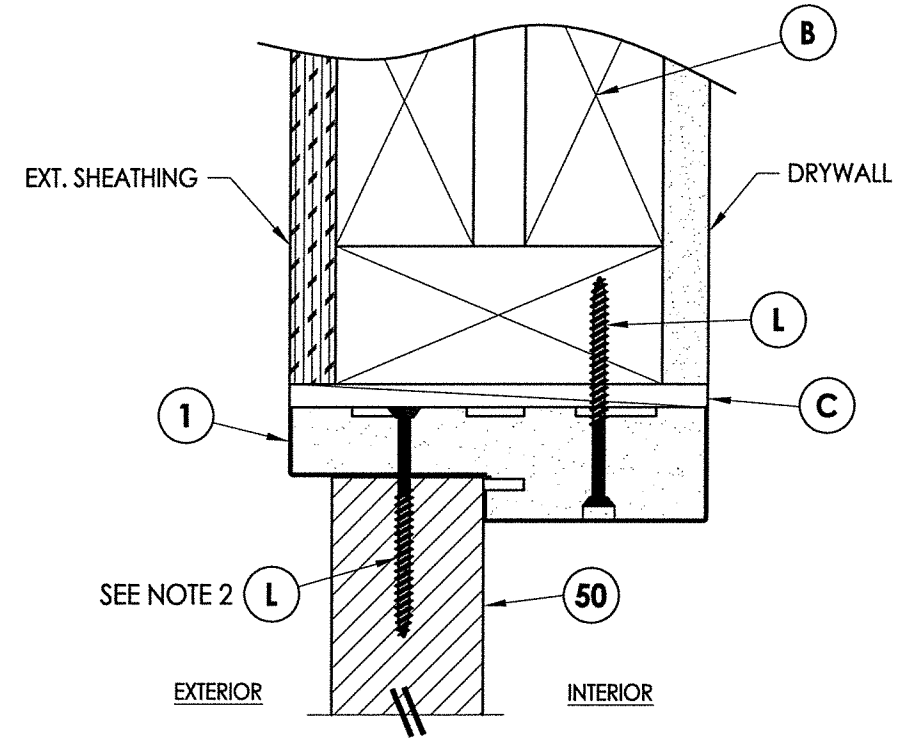
- NOTES:**
1. Spacing for item L: 6" from each end and 3 more equally spaced along sidelite jamb (5 total).
 2. Spacing for item L @ head & sill: 6" from each end, 1 @ centerline, 2 additional at 3" & 4.5" from end adjacent to door.



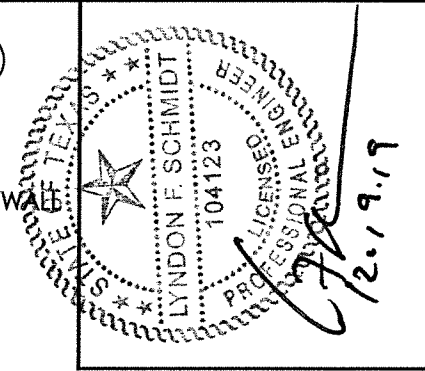
5 HORIZONTAL CROSS SECTION
5 Outswing shown (Inswing similar)



6 HORIZONTAL CROSS SECTION
5 Inswing shown (Outswing similar)



4 VERTICAL CROSS SECTION
5 Outswing shown (Inswing similar)



Documents Prepared By: Lyndon F. Schmidt, P.E.
TEXAS P.E. #104123

RW BUILDING CONSULTANTS, INC.
P.O. Box 230 Vairico FL, 33595
Phone No.: 813.659.9197

TEXAS BOARD OF PROFESSIONAL ENGINEERS
CERTIFICATE OF REGISTRATION # F-11852

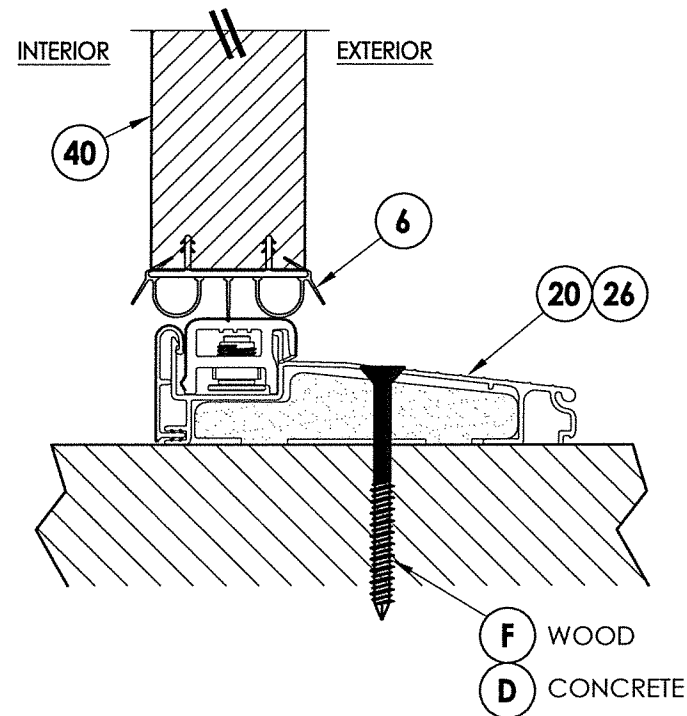
PRODUCT: WINCORE FIBERGLASS ENTRY DOOR "Impact"

PART OR ASSEMBLY: HORIZONTAL & VERTICAL CROSS SECTIONS

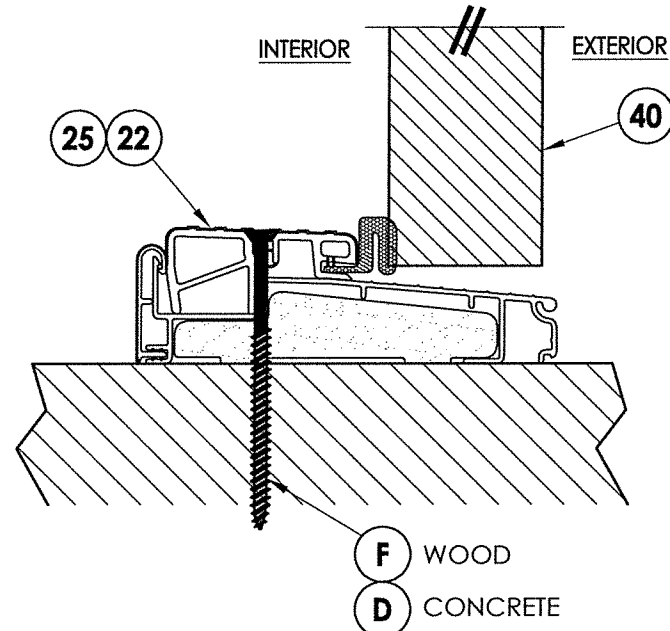
NO.	DATE	BY	REVISIONS

DATE: 8/05/19
SCALE: N.T.S.
DWG. BY: RW
CHK. BY: LFS
DRAWING NO.: TX-4965
SHEET 5 OF 8

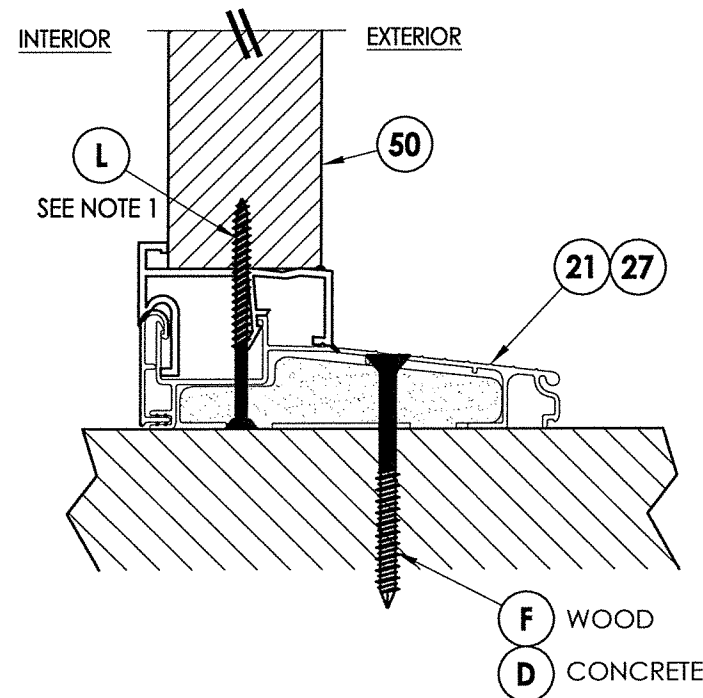
R:\Clients\Wincore PERMANENT\B - Texas Dept of Ins\Doors\TDI XXX - GLZ FG Door, Impact\C - Drawings\TX-4964.65.dwg, 6.2



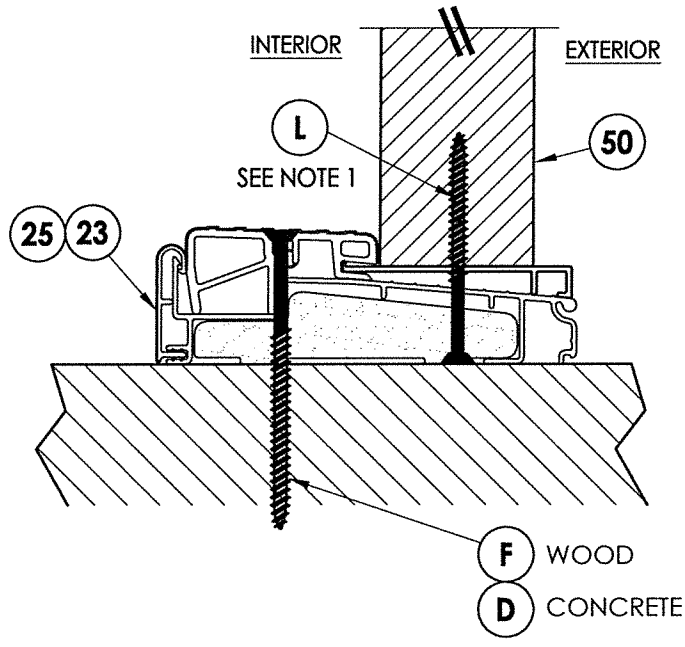
1 VERTICAL CROSS SECTION
6 Inswing sill



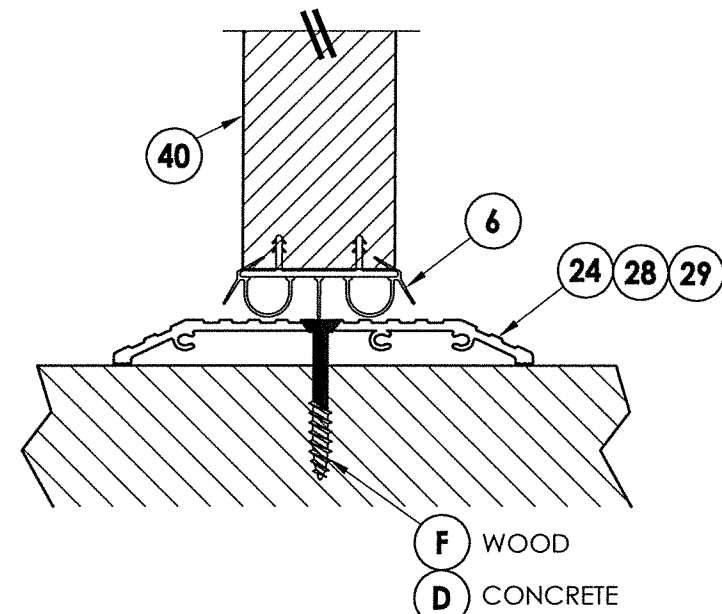
2 VERTICAL CROSS SECTION
6 Outswing sill



4 VERTICAL CROSS SECTION
6 Inswing sill

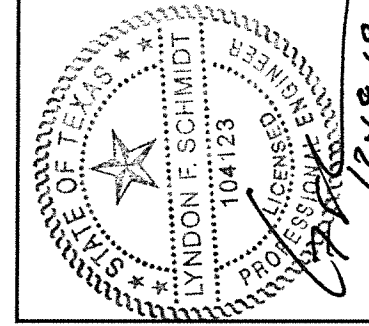


5 VERTICAL CROSS SECTION
6 Inswing sill



3 VERTICAL CROSS SECTION
6 ADA Sill

NOTE:
1. Spacing for item L @ head & sill: 6" from each end, 1 @ centerline, 2 additional at 3" & 4.5" from end adjacent to door.



Documents Prepared By: Lyndon F. Schmidt, P.E.
TEXAS P.E. #104123

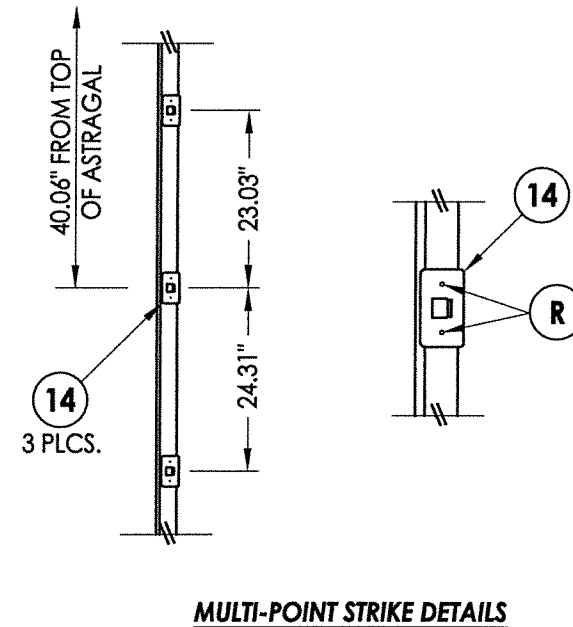
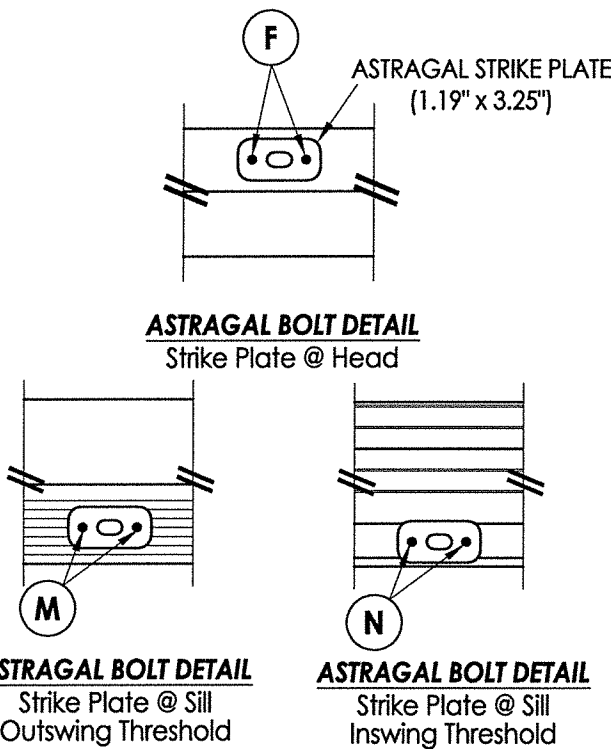
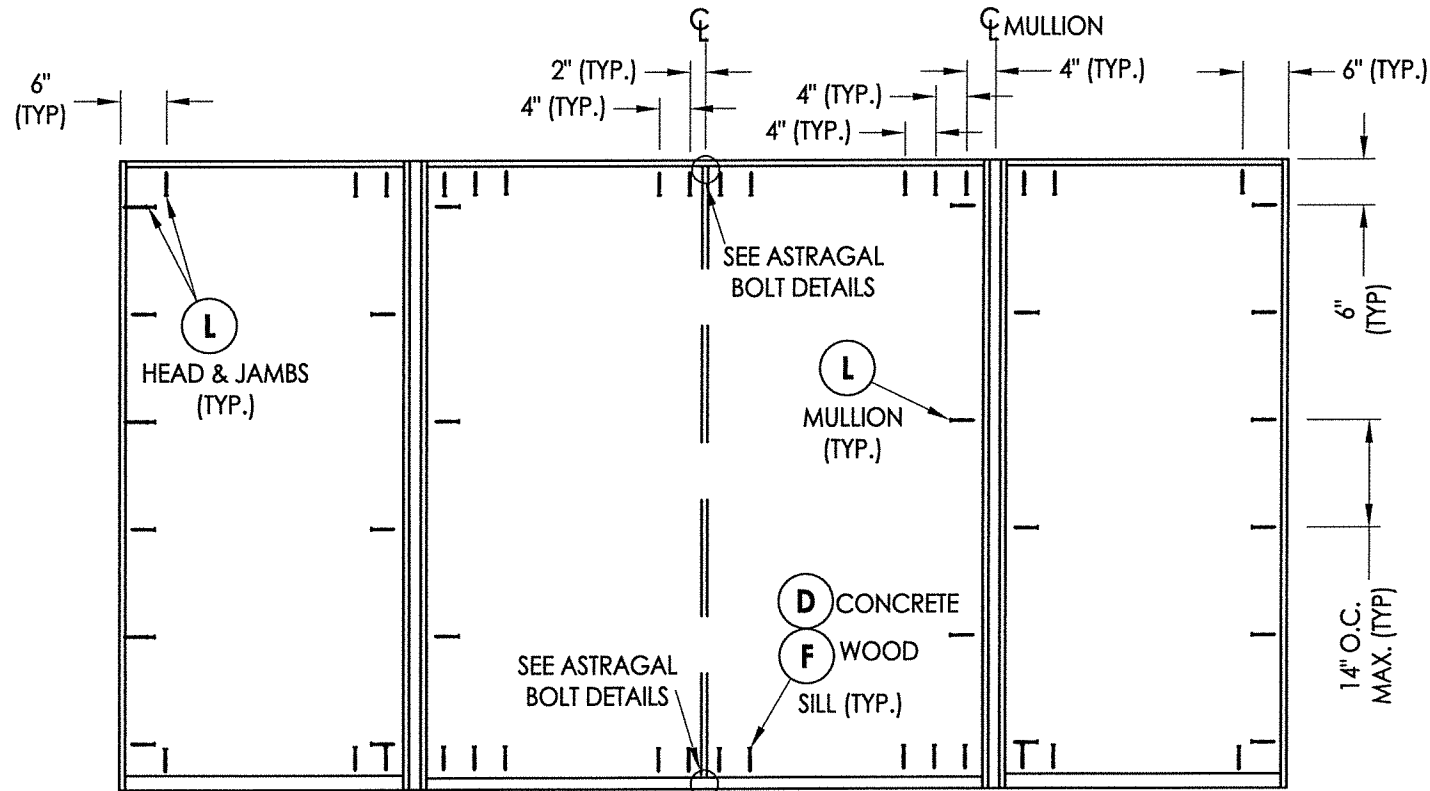
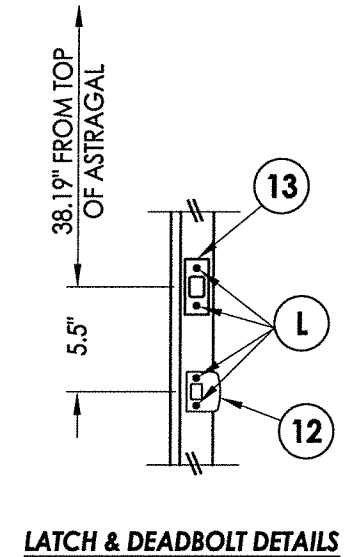
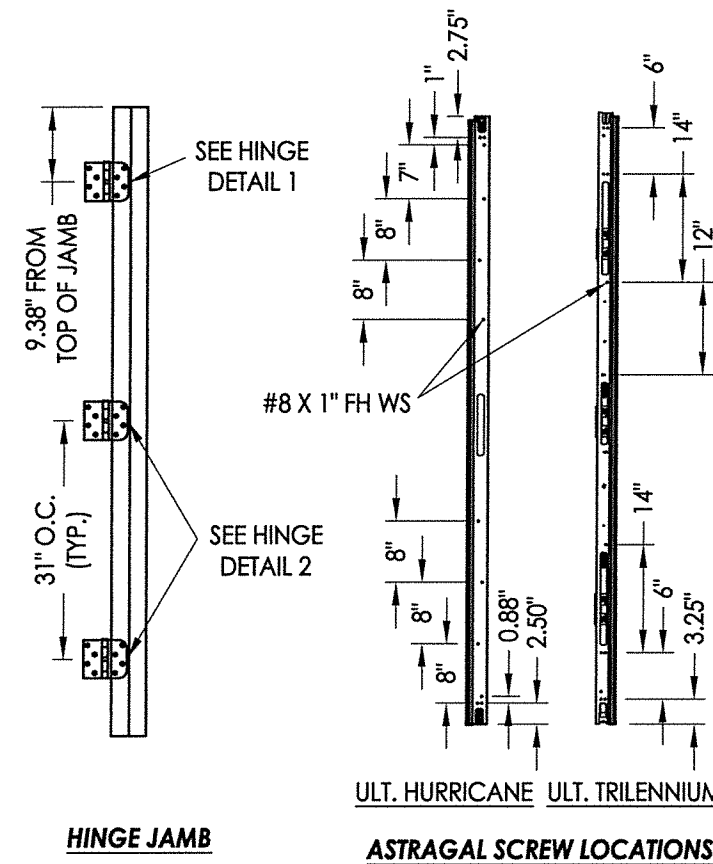
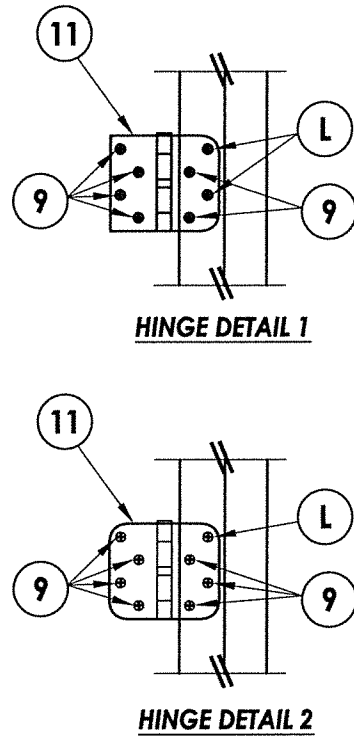
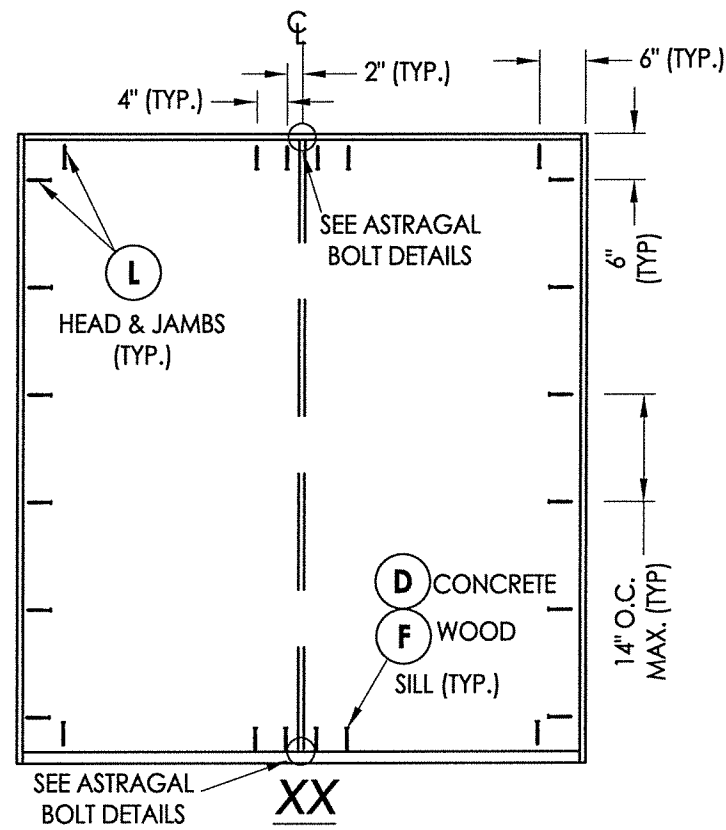
RW BUILDING CONSULTANTS, INC.
P.O. Box 230 Valrico FL 33595
Phone No.: 813.659.9197

TEXAS BOARD OF PROFESSIONAL ENGINEERS
CERTIFICATE OF REGISTRATION # F-11852

PRODUCT: WINCORE ENTRY DOOR
FIBERGLASS Impact
PART OR ASSEMBLY:
VERTICAL CROSS SECTIONS

NO.	DATE	BY	REVISIONS

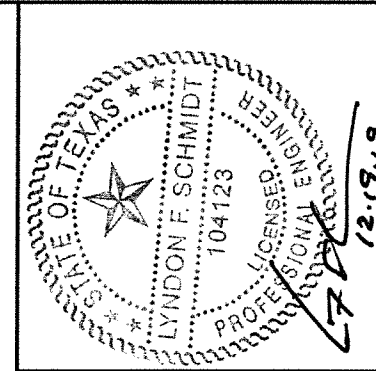
DATE: 8/05/19
SCALE: N.T.S.
DWG. BY: RW
CHK. BY: LFS
DRAWING NO.: TX-4965
SHEET 6 OF 8



OXXO (Shown)
 XXO, OXX (Similar - Use jamb anchoring from XX above)

FRAME ANCHORING

HARDWARE DETAILS



Documents Prepared By: Lyndon F. Schmidt, P.E.
 TEXAS P.E. #104123

RW BUILDING CONSULTANTS, INC.
 P.O. Box 230 Vaicico FL 33595
 Phone No.: 813.659.9197

TEXAS BOARD OF PROFESSIONAL ENGINEERS
 CERTIFICATE OF REGISTRATION # F-11852

PRODUCT: WINCORE FIBERGLASS ENTRY DOOR "Impact"

PART OR ASSEMBLY: FRAME ANCHORING & HARDWARE DETAILS

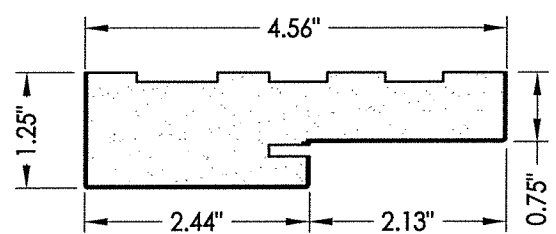
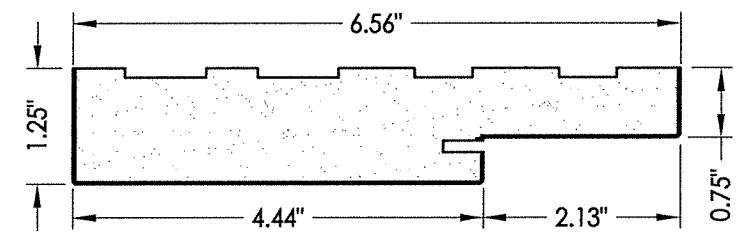
NO.	DATE	BY	REVISIONS

DATE: 8/05/19
 SCALE: N.T.S.
 DWG. BY: RW
 CHK. BY: LFS
 DRAWING NO.: TX-4965
 SHEET 7 OF 8

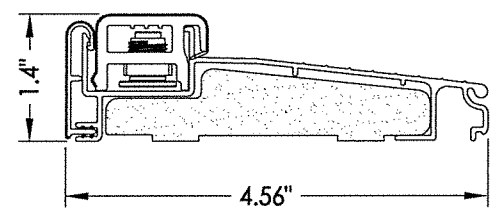
R:\Clients\Wincore PERMANENT\B - Texas Dept of Ins\Doors\TDI XXX - GLZ FG Door, Impact\C - Drawings\TX-4964.65.dwg, 8.2

BILL OF MATERIALS

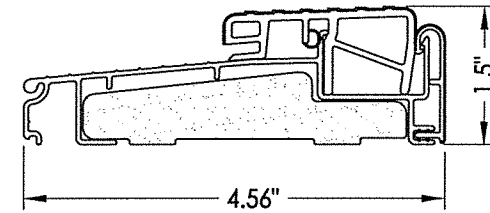
ITEM #	DESCRIPTION	MATERIAL
A	2X FRAMING (G >= 0.42)	WOOD
C	1/4" MAX. SHIM SPACE	-
D	1/4" PFH ELCO OR ITW CONCRETE SCREW (1-3/4" MIN. EMB.)	STEEL
F	#10 PFH WOOD SCREW (1-3/4" MIN. EMB.)	STEEL
J	#10 X 2" PFH WOOD SCREW	STEEL
L	#10 X 2-1/2" PFH WOOD SCREW (1.15" MIN. EMB.)	STEEL
R	#8 X 2-1/2" PFH WOOD SCREW	STEEL
1	POLY FIBER JAMB (4-9/16" OR 6-9/16")	COMP.
5	2X REINFORCEMENT (G >= 0.55)	WOOD
6	DOOR SWEEP	PVC
7	WEATHERSTRIP (ENDURA FORCE 5)	FOAM
9	#9 X 3/4" PFH WOOD SCREW	STEEL
11	4" X 4" HINGE (SQUARE OR RADIUS)	STEEL
12	LATCH STRIKE PLATE	STEEL
13	DEADBOLT STRIKE PLATE	STEEL
14	TRILENNIUM MULTI-POINT STRIKE PLATE	STEEL
20	INSWING THRESHOLD	ALUM/COMP
21	INSWING THRESHOLD w/ SIDELITE ADAPTER	ALUM/COMP
22	OUTSWING THRESHOLD	ALUM/COMP
23	OUTSWING THRESHOLD w/ SIDELITE ADAPTER	ALUM/COMP
24	ADA THRESHOLD	ALUM
25	OUTSWING THRESHOLD	ALUM/WOOD
26	INSWING THRESHOLD	ALUM/WOOD
27	INSWING THRESHOLD w/ SIDELITE ADAPTER	ALUM/WOOD
28	INSWING ADA THRESHOLD	ALUM
29	OUTSWING ADA THRESHOLD	ALUM
33	ASTRAGAL (ENDURA)	ALUM
40	DOOR PANEL	-
50	SIDELITE PANEL	-



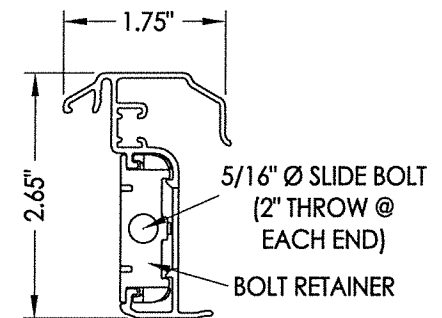
1 POLY FIBER JAMB



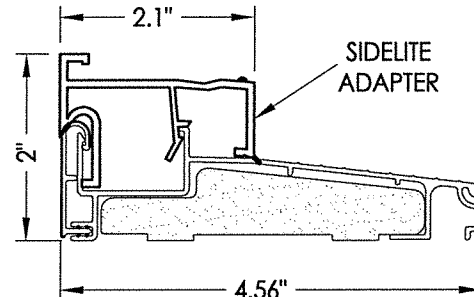
20 INSWING THRESHOLD
Endura (Z-Series)



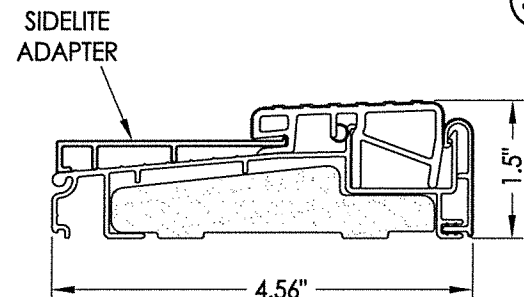
22 OUTSWING THRESHOLD
Endura (Z-Series)



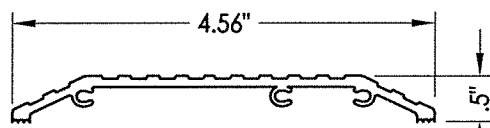
33 ENDURA ASTRAGAL
Ultimate Hurricane
Ultimate Trilennium



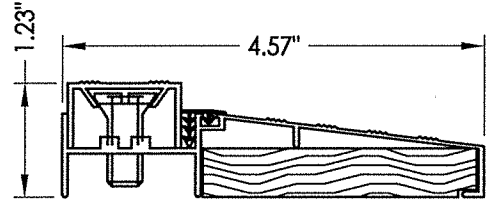
21 INSWING THRESHOLD w/ SIDELITE ADAPTER
Endura (Z-Series)



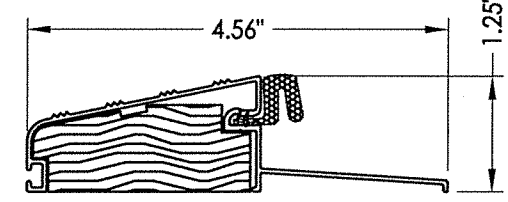
23 OUTSWING THRESHOLD w/ SIDELITE ADAPTER
Endura (Z-Series)



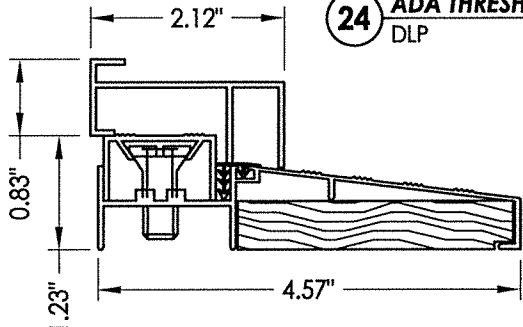
24 ADA THRESHOLD
DLP



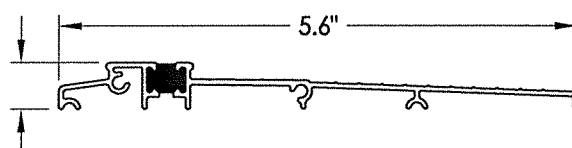
26 INSWING THRESHOLD
DLP



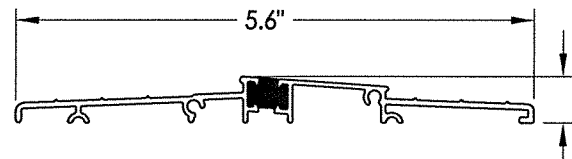
25 OUTSWING THRESHOLD
DLP



27 INSWING THRESHOLD w/ SIDELITE ADAPTER
DLP



28 INSWING ADA THRESHOLD
Endura (Z-Series)



29 OUTSWING ADA THRESHOLD
Endura (Z-Series)

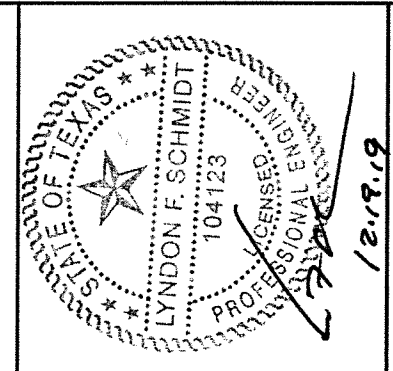
CONCRETE ANCHOR NOTES:

- Concrete anchor locations at the corners may be adjusted to maintain the min. edge distance to mortar joints.
- Concrete anchor locations noted as "MAX. ON CENTER" must be adjusted to maintain the min. edge distance to mortar joints, additional concrete anchors may be required to ensure the "MAX. ON CENTER" dimension are not exceeded.
- Concrete anchor table:

ANCHOR TYPE	ANCHOR SIZE	MIN. EMBEDMENT	MIN. CLEARANCE TO MASONRY EDGE	MIN. CLEARANCE TO ADJACENT ANCHOR
ITW BUILDDEX TAPCON®	1/4"	1-1/4"	2"	4"
ELCO ULTRACON®	1/4"	1-1/4"	1"	4"

WOOD SCREW INSTALLATION NOTES:

- Maintain a minimum 5/8" edge distance, 1" end distance, & 1" o.c. spacing of wood screws to prevent the splitting of wood.



Documents Prepared By: Lyndon F. Schmidt, P.E.
TEXAS P.E. #104123

RW BUILDING CONSULTANTS, INC.
P.O. Box 230 Valrico FL 33595
Phone No.: 813.659.9197
TEXAS BOARD OF PROFESSIONAL ENGINEERS
CERTIFICATE OF REGISTRATION # F-11852

PRODUCT: WINCORE FIBERGLASS ENTRY DOOR "Impact"
PART OR ASSEMBLY: BILL OF MATERIALS & COMPONENTS

NO.	DATE	BY	REVISIONS

DATE: 8/05/19
SCALE: N.T.S.
DWG. BY: RW
CHK. BY: LFS
DRAWING NO.: TX-4965
SHEET 8 OF 8