

# WINCORE™

## WINDOWS & DOORS

250 Staunton Turnpike, Parkersburg, WV 26104

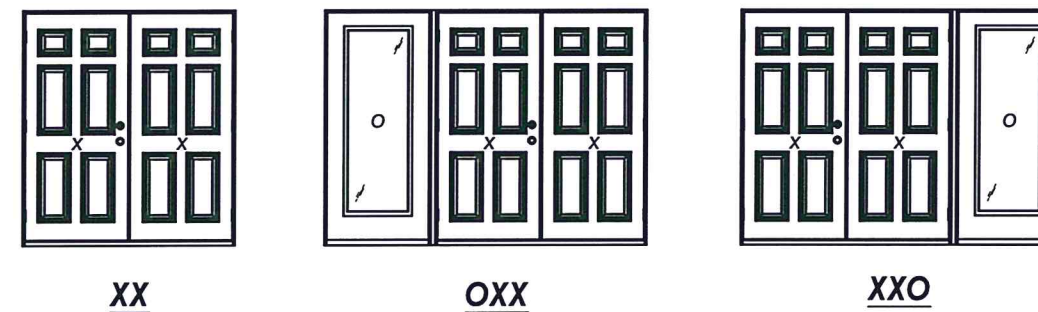
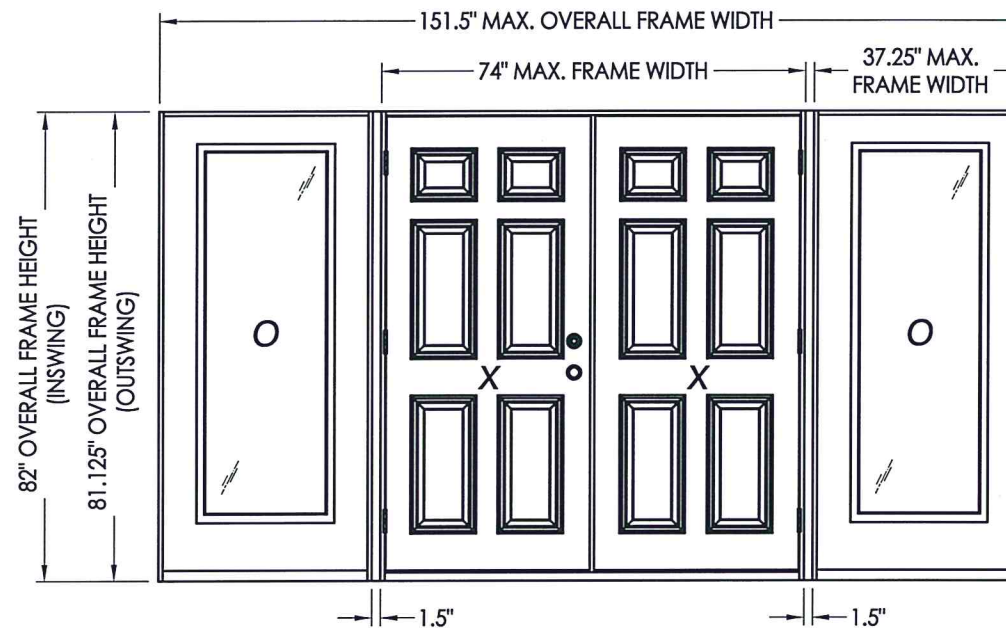


Documents Prepared By: Lyndon F. Schmidt, P.E.  
TEXAS P.E. #104123

**RW** BUILDING CONSULTANTS, INC.  
P.O. Box 230 Vairico FL 33595  
Phone No.: 813.659.9197

TEXAS BOARD OF PROFESSIONAL ENGINEERS  
CERTIFICATE OF REGISTRATION # F-11852

### OPAQUE FIBERGLASS DOORS DOUBLES w/ or w/o SIDELITES INSWING / OUTSWING "IMPACT"



CONFIGURATION	MAX. FRAME DIMENSION	DESIGN PRESSURE (PSF) INSWING		DESIGN PRESSURE (PSF) OUTSWING	
		POSITIVE	NEGATIVE	POSITIVE	NEGATIVE
XX	74" x 82"	+50.0	-50.0	+50.0	-50.0
OXX, XXO	112.75" x 82"	+50.0	-50.0	+50.0	-50.0
OXXO	151.5" x 82"	+50.0	-50.0	+50.0	-50.0

**EVALUATED FOR USE IN THE STATE OF TEXAS**

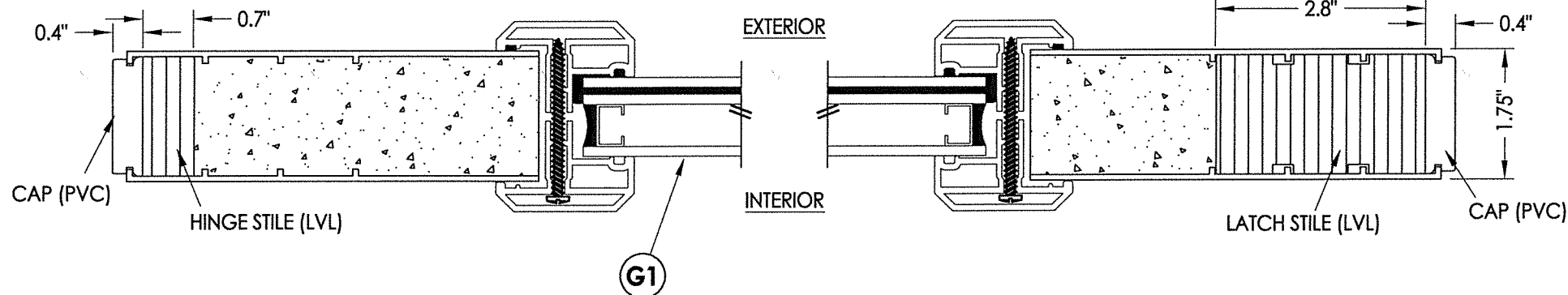
The Fiberglass Door system described herein complies with the 2018 International Residential Code (IRC), Sections R301 & R609 and the 2018 International Building Code (IBC), Sections 1404.13, 1609, 1709.5, 2403 and 2404 subject to the following conditions:

1. Anchors shall be as listed and spaced as shown in the details. Anchor embedment to base material shall be beyond wall dressing or stucco.
2. This system has been tested and evaluated as a large missile impact protective system for installation in the Seaward, Inland I and Inland II areas. This product meets missile level "D" as defined in ASTM E 1996.
3. Allowable design pressure requirements must be equal to or less than the design pressure rating shown in the design pressure chart, sheet 1 of this drawing.
4. Conditions not covered by this drawing are subject to further engineering analysis.

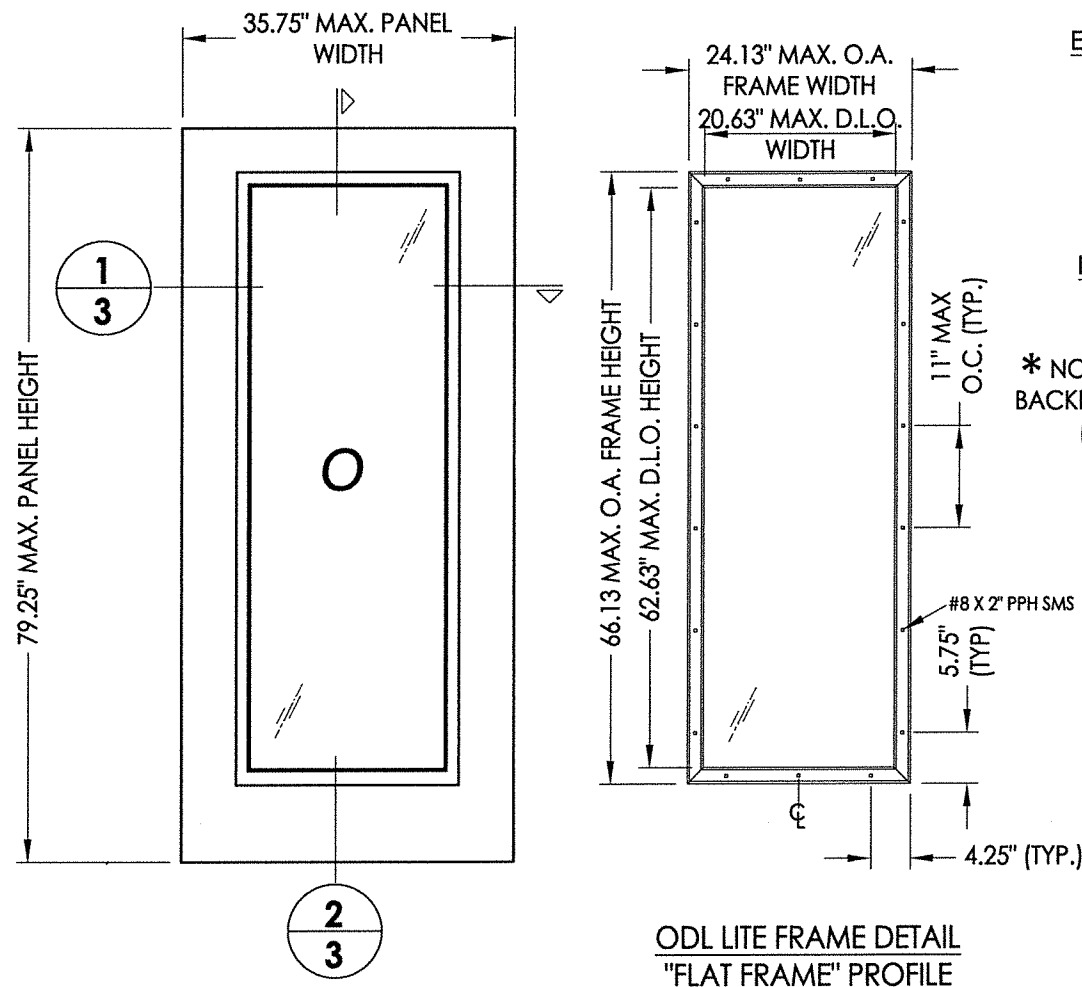
TABLE OF CONTENTS	
SHEET #	DESCRIPTION
1	Typical Elevations, Design Pressures & General Notes
2	Door Panel Details
3	Sidelite Panel Details
4	Elevations
5	Horizontal & Vertical Cross Sections
6	Vertical Cross Sections
7	Frame Anchoring & Hardware Details
8	Bill of Materials & Components

PRODUCT:	WINCORE FIBERGLASS ENTRY DOOR "Impact"	
PART OR ASSEMBLY:	TYPICAL ELEVATION, DESIGN PRESSURES & GENERAL NOTES	
NO.	DATE	BY
		REVISIONS
DATE:	12/4/19	
SCALE:	N.T.S.	
DWG. BY:	RW	
CHK. BY:	LFS	
DRAWING NO.:	TX-4961	
SHEET	1 OF 8	

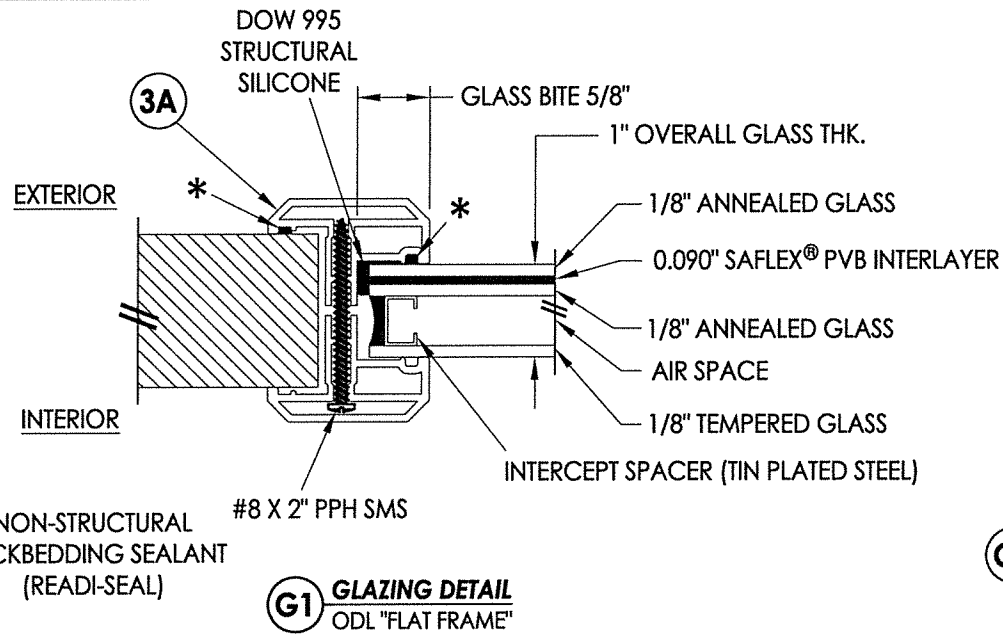




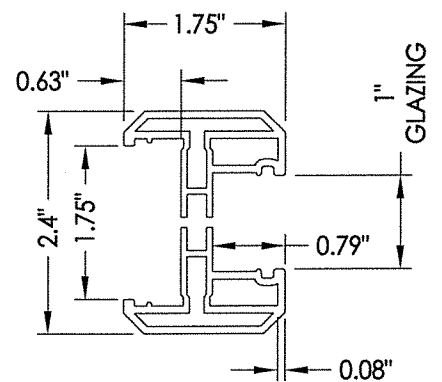
**1**  
**3** HORIZONTAL CROSS SECTION



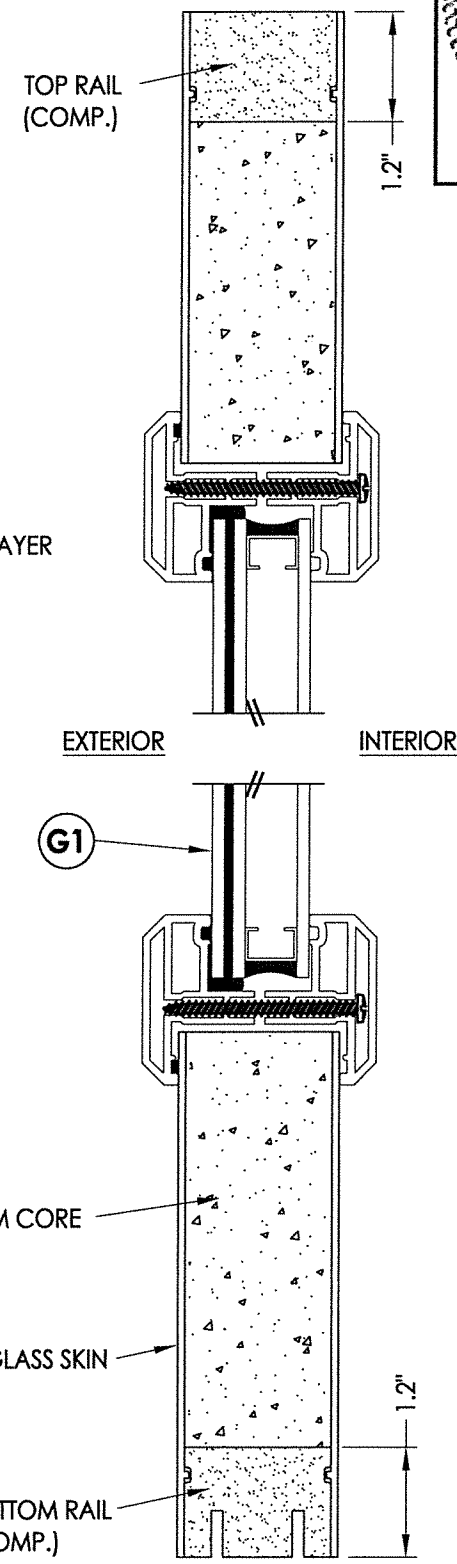
**50** PLASTPRO SIDELITE PANEL



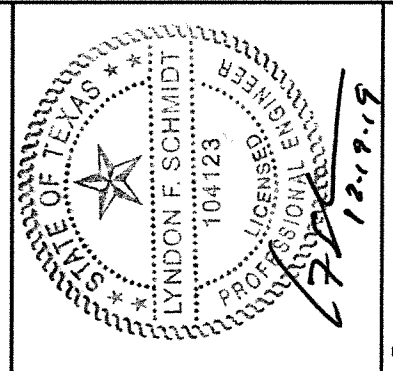
**G1** GLAZING DETAIL  
ODL "FLAT FRAME"



**3A** OD LITE FRAME  
"FLAT FRAME" PROFILE  
(6063-T5 ALUM)



**2**  
**3** VERTICAL CROSS SECTION



Documents Prepared By: Lyndon F. Schmidt, P.E.  
TEXAS P.E. #104123

**RW** BUILDING CONSULTANTS, INC.  
P.O. Box 230 Vairico FL. 33595  
Phone No.: 813.659.9197

TEXAS BOARD OF PROFESSIONAL ENGINEERS  
CERTIFICATE OF REGISTRATION # F-11852

PRODUCT: WINCORE  
FIBERGLASS ENTRY DOOR  
Impact

PART OR ASSEMBLY:  
LITE FRAME  
GLAZING DETAILS

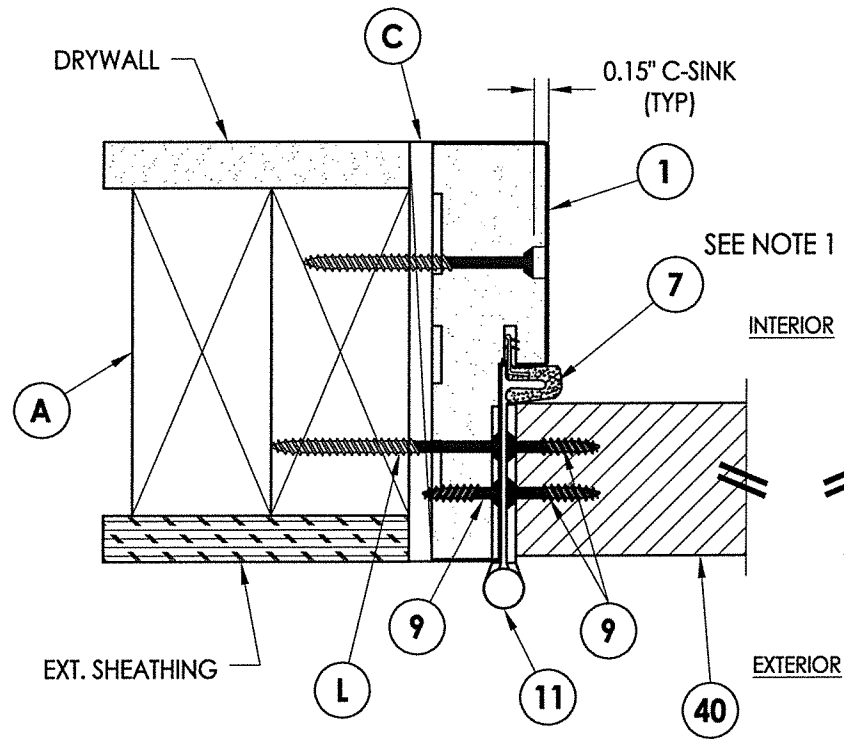
NO.	DATE	BY	REVISIONS

DATE: 12/4/19  
SCALE: N.T.S.  
DWG. BY: RW  
CHK. BY: LFS  
DRAWING NO.: TX-4961  
SHEET 3 OF 8

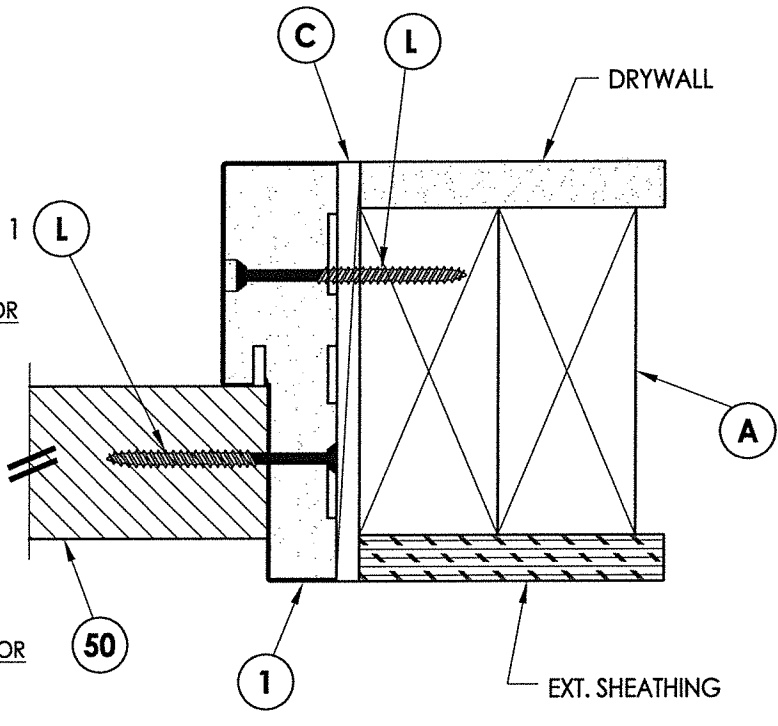
FIBERGLASS SKIN: 0.075" MIN. THK.  
FOAM CORE: POLYURETHANE - 1.9 PCF MIN.)



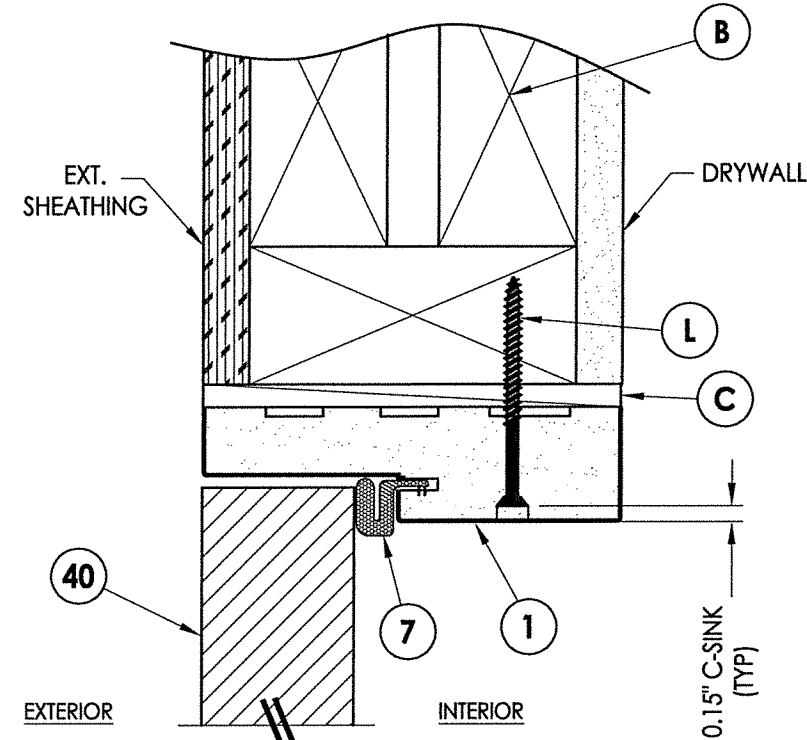




**1** HORIZONTAL CROSS SECTION  
**5** Outswing shown (Inswing similar)

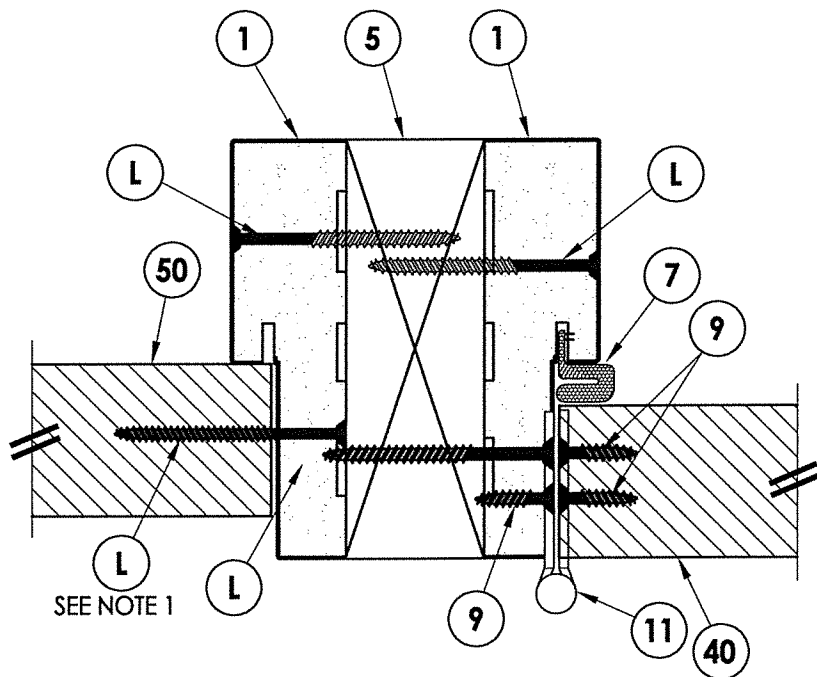


**2** HORIZONTAL CROSS SECTION  
**5** Outswing shown (Inswing similar)

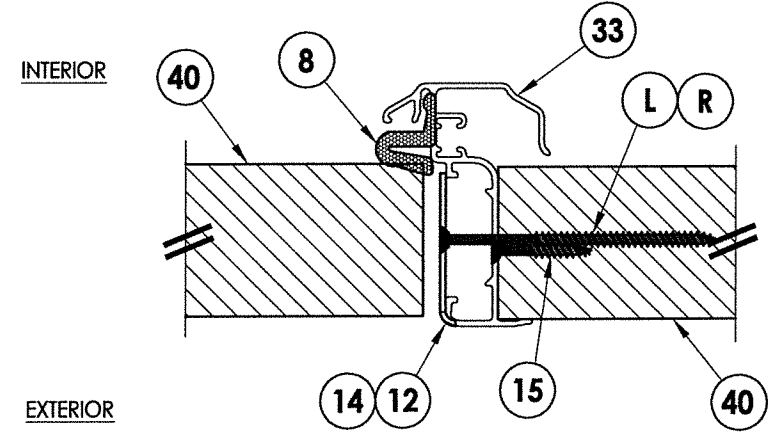


**3** VERTICAL CROSS SECTION  
**5** Outswing shown (Inswing similar)

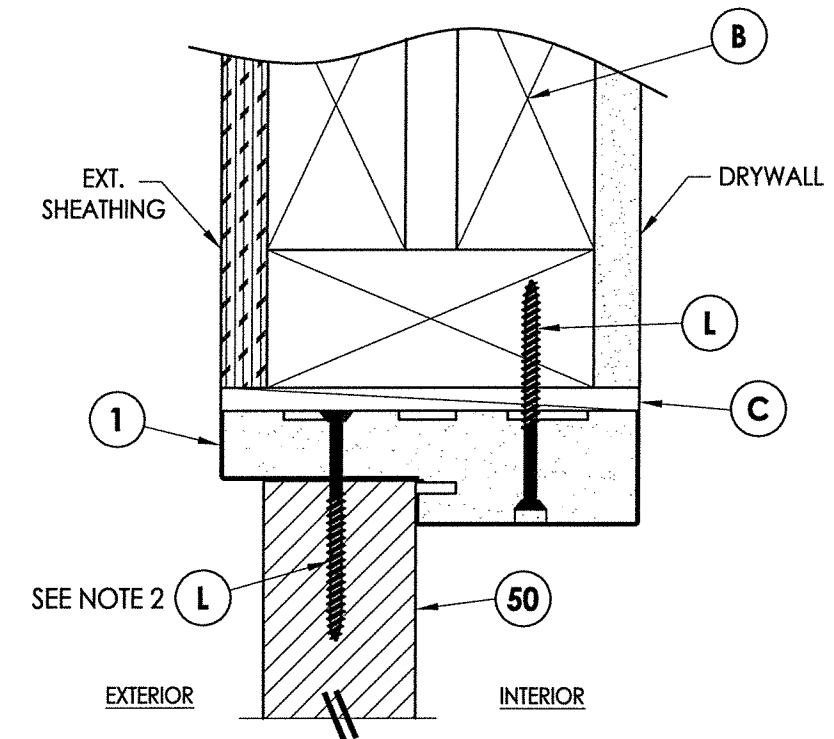
- NOTES:**
1. Spacing for item L: 6" from each end and 3 more equally spaced along sidelite jamb (5 total).
  2. Spacing for item L @ head & sill: 6" from each end, 1 @ centerline, 2 additional at 3" & 4.5" from end adjacent to door.



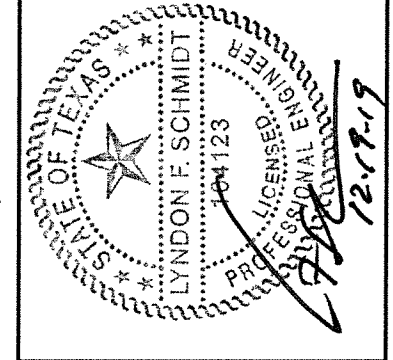
**5** HORIZONTAL CROSS SECTION  
**5** Outswing shown (Inswing similar)



**6** HORIZONTAL CROSS SECTION  
**5** Inswing shown (Outswing similar)



**4** VERTICAL CROSS SECTION  
**5** Outswing shown (Inswing similar)



Documents Prepared By: Lyndon F. Schmidt, P.E.  
TEXAS P.E. #104123

**RW** BUILDING CONSULTANTS, INC.  
P.O. Box 230 Valrico FL 33595  
Phone No.: 813.659.9197

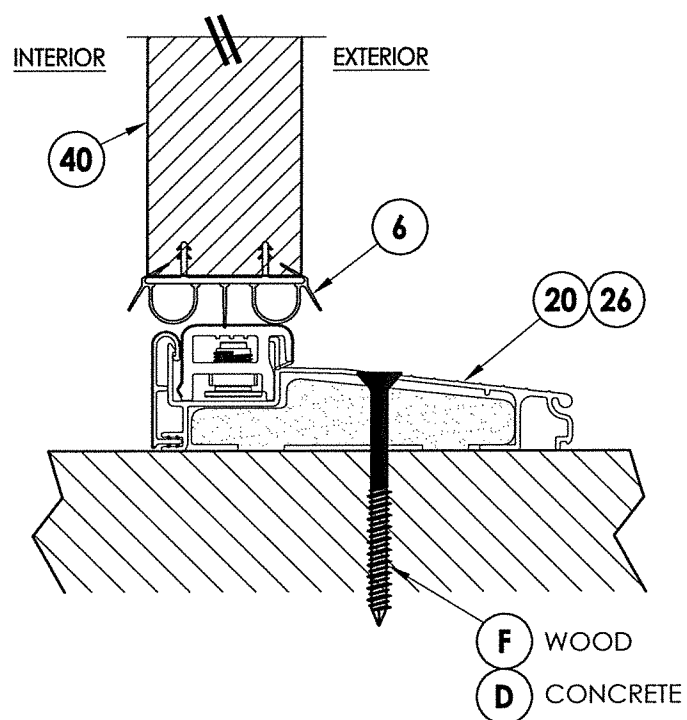
TEXAS BOARD OF PROFESSIONAL ENGINEERS  
CERTIFICATE OF REGISTRATION # F-11852

PRODUCT: WINCORE FIBERGLASS ENTRY DOOR "Impact"

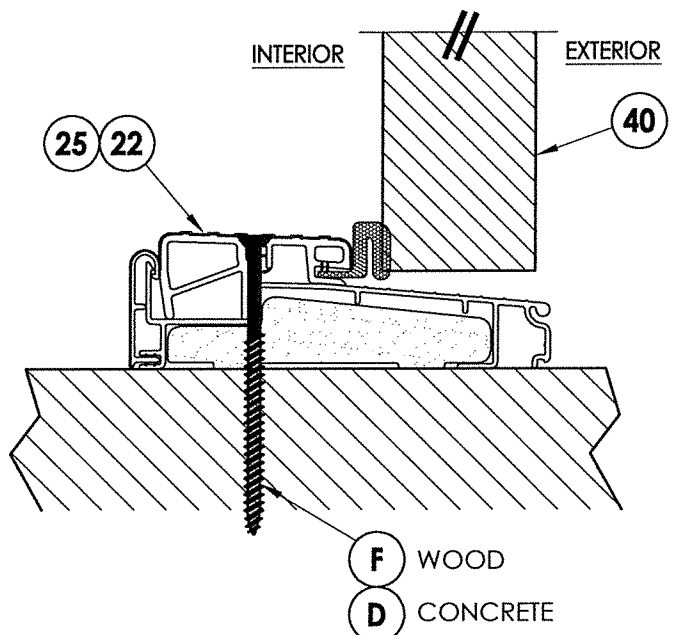
PART OR ASSEMBLY: HORIZONTAL & VERTICAL CROSS SECTIONS

NO.	DATE	REVISIONS	BY

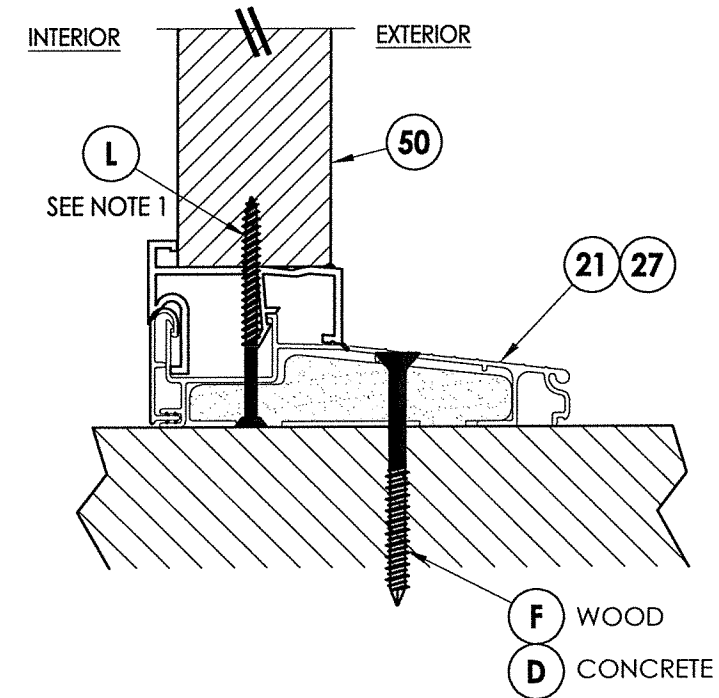
DATE: 12/4/19  
SCALE: N.T.S.  
DWG. BY: RW  
CHK. BY: LFS  
DRAWING NO.: TX-4961  
SHEET 5 OF 8



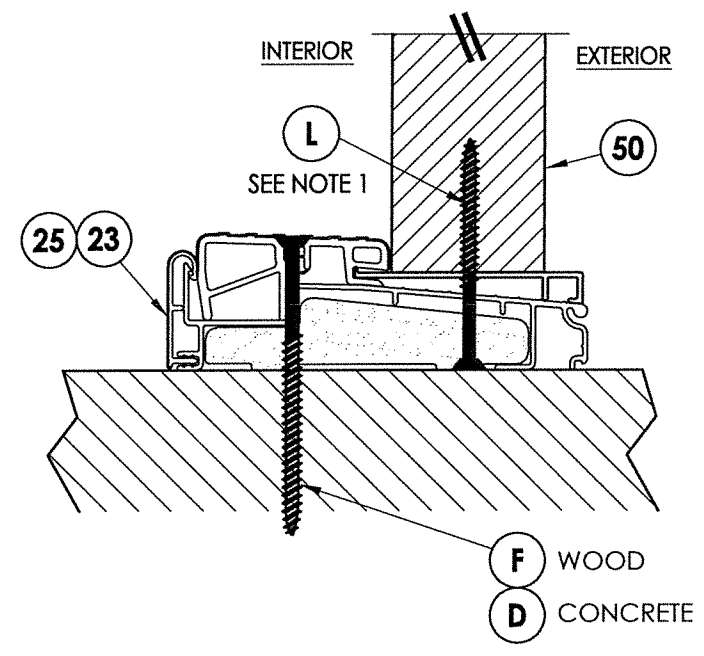
**1 VERTICAL CROSS SECTION**  
6 Inswing sill



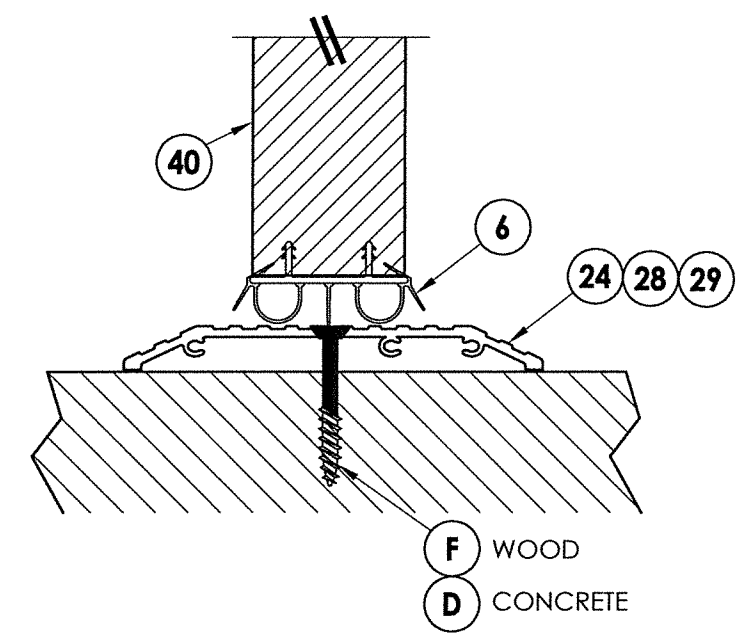
**2 VERTICAL CROSS SECTION**  
6 Outswing sill



**4 VERTICAL CROSS SECTION**  
6 Inswing sill

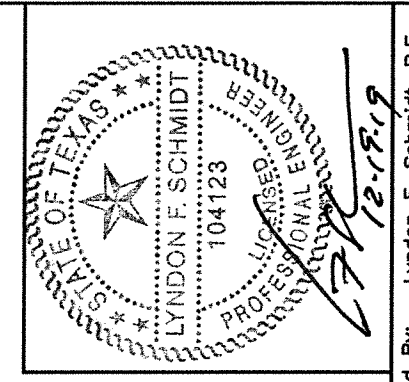


**5 VERTICAL CROSS SECTION**  
6 Inswing sill



**3 VERTICAL CROSS SECTION**  
6 ADA Sill

NOTE:  
1. Spacing for item L @ head & sill: 6" from each end, 1 @ centerline, 2 additional at 3" & 4.5" from end adjacent to door.



Documents Prepared By: Lyndon F. Schmidt, P.E.  
TEXAS P.E. #104123

**RW** BUILDING CONSULTANTS, INC.  
P.O. Box 230 Valrico FL, 33595  
Phone No.: 813.659.9197

TEXAS BOARD OF PROFESSIONAL ENGINEERS  
CERTIFICATE OF REGISTRATION # F-11852

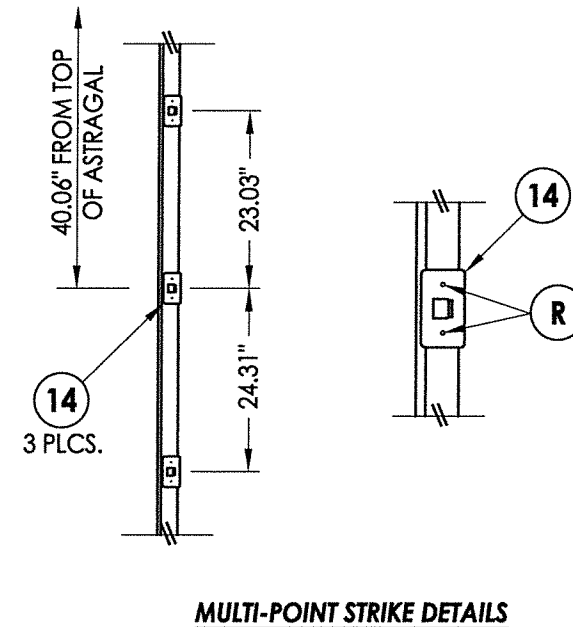
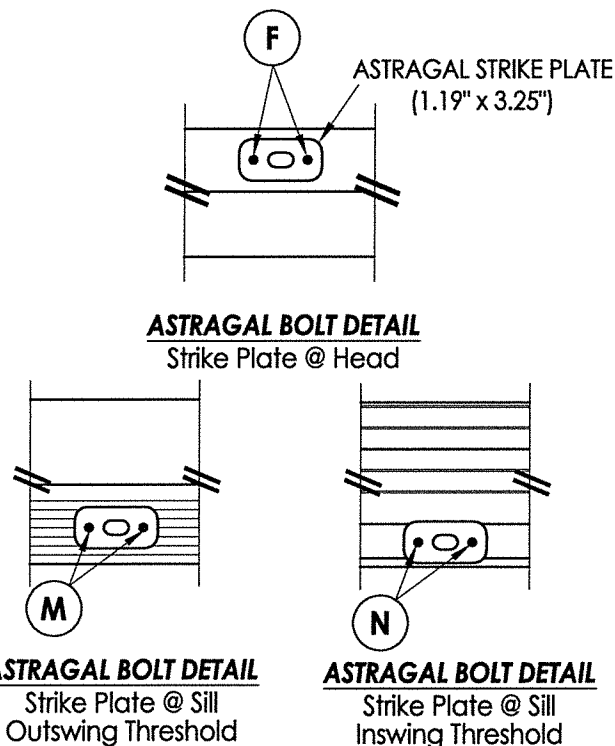
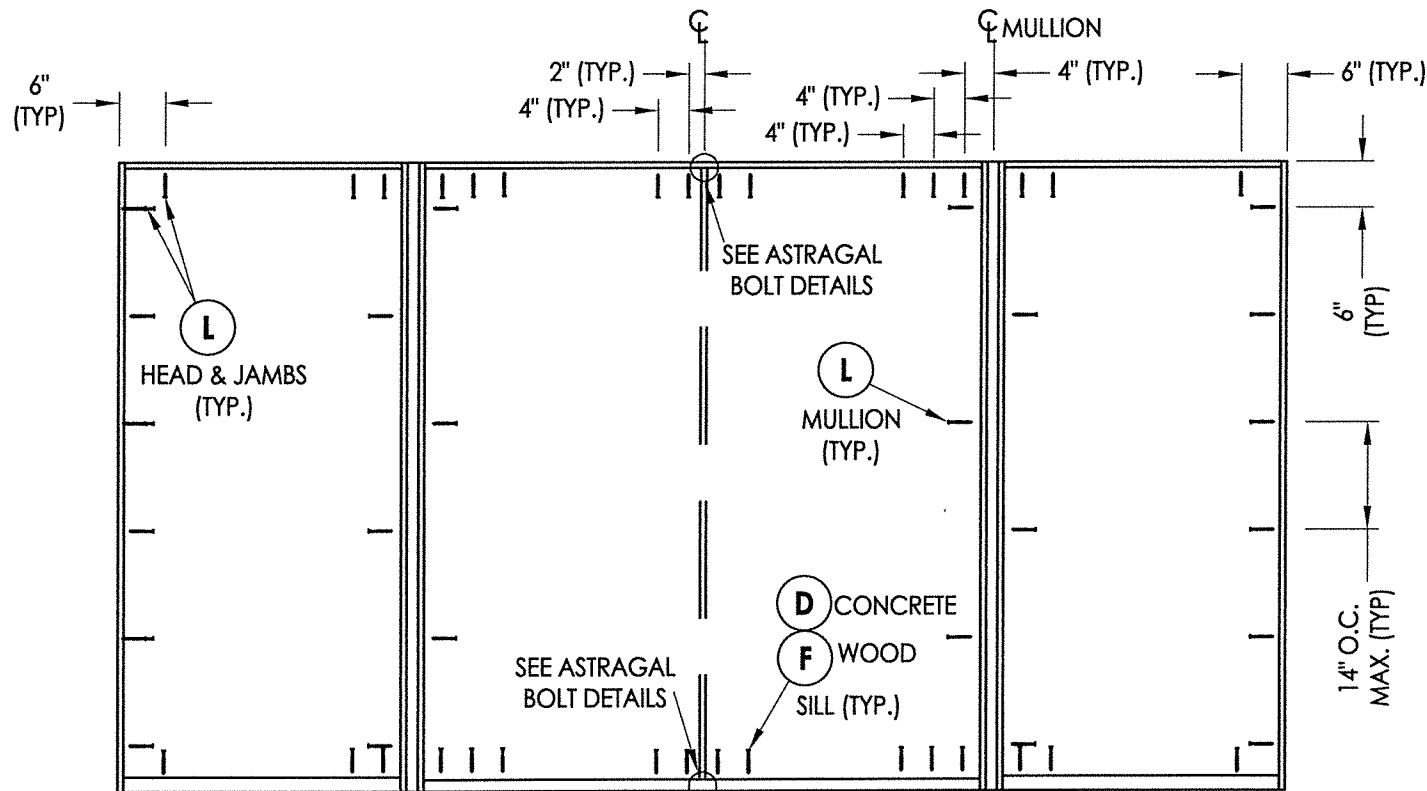
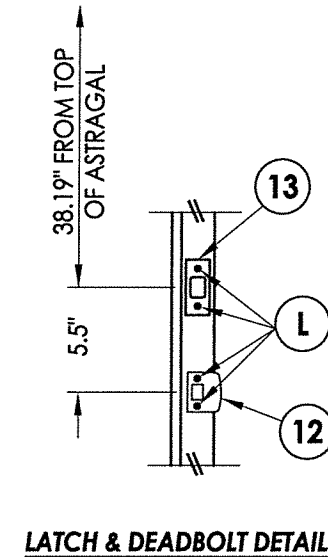
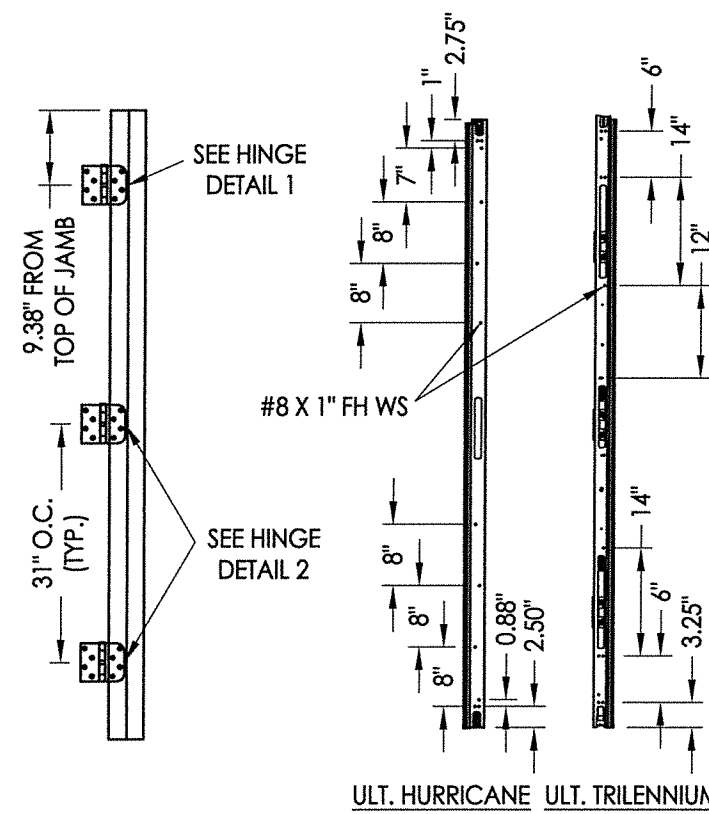
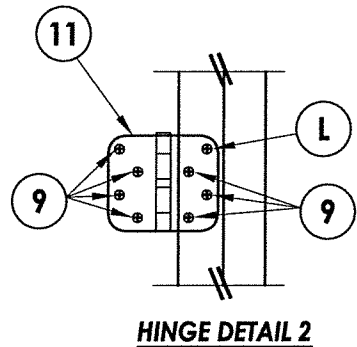
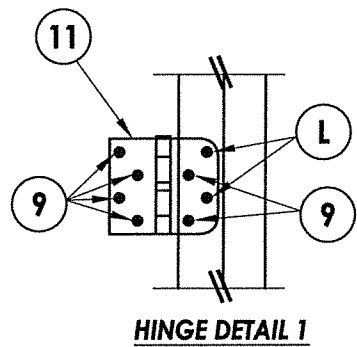
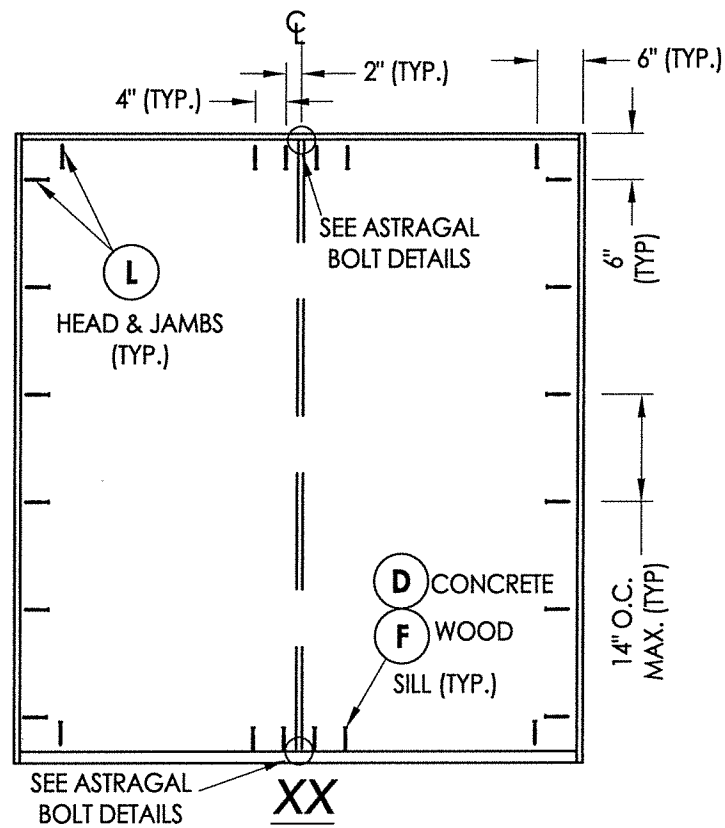
PRODUCT: WINCORE  
FIBERGLASS ENTRY DOOR  
Impact

PART OR ASSEMBLY:  
VERTICAL CROSS SECTIONS

NO.	DATE	BY	REVISIONS

DATE: 12/4/19  
SCALE: N.T.S.  
DWG. BY: RW  
CHK. BY: LFS  
DRAWING NO.: TX-4961  
SHEET 6 OF 8

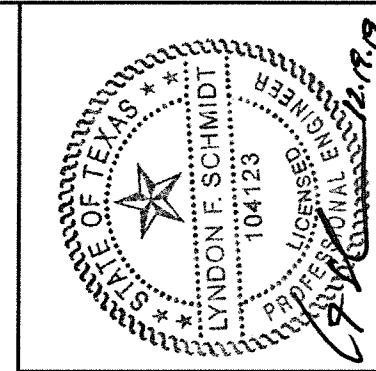
R:\Clients\Wincore PERMANENT\B - Texas Dept of Ins\Doors\TDI XXX - OP FG Door, Impact\C - Drawings\TX-4960.61.dwg, 7.2



**OXXO (Shown)**  
 XXO, OXX (Similar - Use jamb anchoring from XX above)

**FRAME ANCHORING**

**HARDWARE DETAILS**



Documents Prepared By: Lyndon F. Schmidt, P.E.  
 TEXAS P.E. #104123

**RW** BUILDING CONSULTANTS, INC.  
 P.O. Box 230 Valrico FL 33595  
 Phone No.: 813.659.9197

TEXAS BOARD OF PROFESSIONAL ENGINEERS  
 CERTIFICATE OF REGISTRATION # F-11852

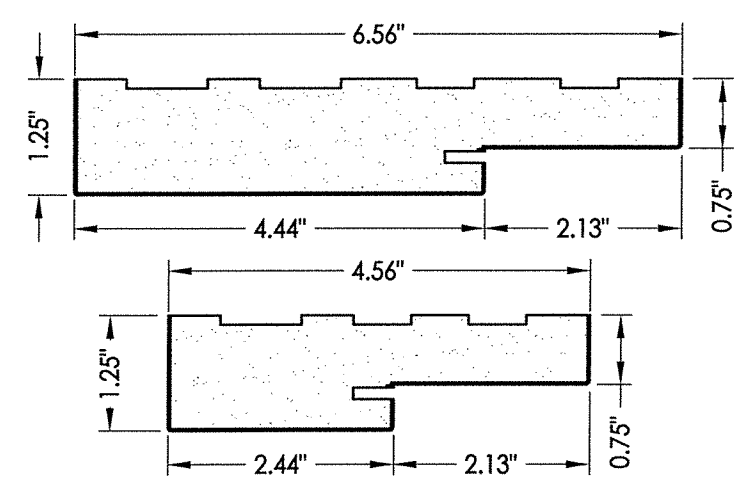
PRODUCT: WINCORE FIBERGLASS ENTRY DOOR "Impact"

PART OR ASSEMBLY: FRAME ANCHORING & HARDWARE DETAILS

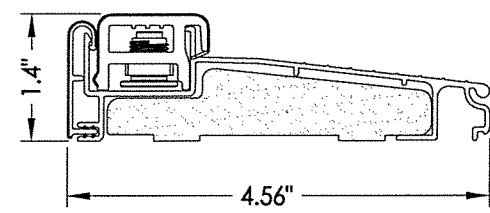
NO.	DATE	BY	REVISIONS

DATE: 12/4/19  
 SCALE: N.T.S.  
 DWG. BY: RW  
 CHK. BY: LFS  
 DRAWING NO.: TX-4961  
 SHEET 7 OF 8

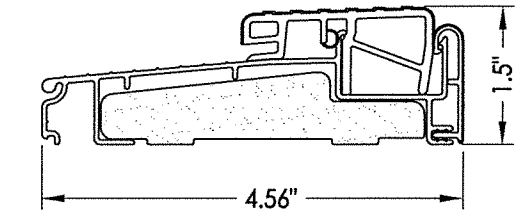
BILL OF MATERIALS		
ITEM #	DESCRIPTION	MATERIAL
A	2X FRAMING (G >= 0.42)	WOOD
C	1/4" MAX. SHIM SPACE	-
D	1/4" PFH ELCO OR ITW CONCRETE SCREW (1-3/4" MIN. EMB.)	STEEL
F	#10 PFH WOOD SCREW (1-3/4" MIN. EMB.)	STEEL
J	#10 X 2" PFH WOOD SCREW	STEEL
L	#10 X 2-1/2" PFH WOOD SCREW (1.15" MIN. EMB.)	STEEL
R	#8 X 2-1/2" PFH WOOD SCREW	STEEL
1	POLY FIBER JAMB (4-9/16" OR 6-9/16")	COMP.
5	2X REINFORCEMENT (G >= 0.55)	WOOD
6	DOOR SWEEP	PVC
7	WEATHERSTRIP (ENDURA FORCE 5)	FOAM
9	#9 X 3/4" PFH WOOD SCREW	STEEL
11	4" X 4" HINGE (SQUARE OR RADIUS)	STEEL
12	LATCH STRIKE PLATE	STEEL
13	DEADBOLT STRIKE PLATE	STEEL
14	TRILENNIUM MULTI-POINT STRIKE PLATE	STEEL
20	INSWING THRESHOLD	ALUM/COMP
21	INSWING THRESHOLD w/ SIDELITE ADAPTER	ALUM/COMP
22	OUTSWING THRESHOLD	ALUM/COMP
23	OUTSWING THRESHOLD w/ SIDELITE ADAPTER	ALUM/COMP
24	ADA THRESHOLD	ALUM
25	OUTSWING THRESHOLD	ALUM/WOOD
26	INSWING THRESHOLD	ALUM/WOOD
27	INSWING THRESHOLD w/ SIDELITE ADAPTER	ALUM/WOOD
28	INSWING ADA THRESHOLD	ALUM
29	OUTSWING ADA THRESHOLD	ALUM
33	ASTRAGAL (ENDURA)	ALUM
40	DOOR PANEL	-
50	SIDELITE PANEL	-



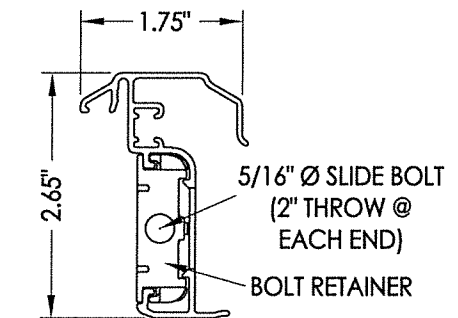
1 POLY FIBER JAMB



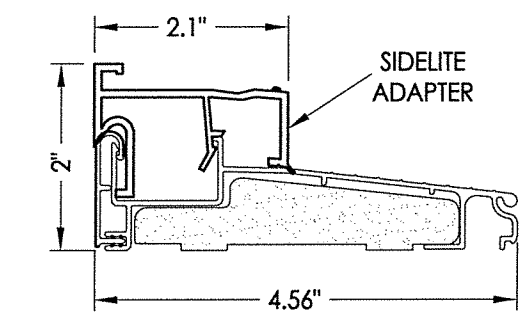
20 INSWING THRESHOLD  
Endura (Z-Series)



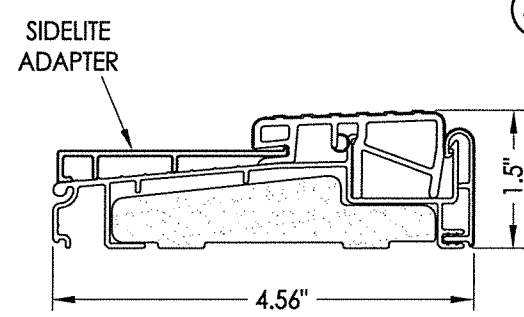
22 OUTSWING THRESHOLD  
Endura (Z-Series)



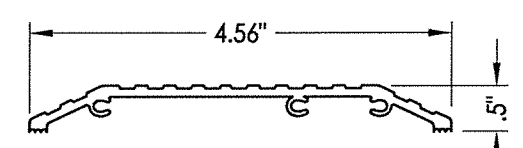
33 ENDURA ASTRAGAL  
Ultimate Hurricane  
Ultimate Trilennium



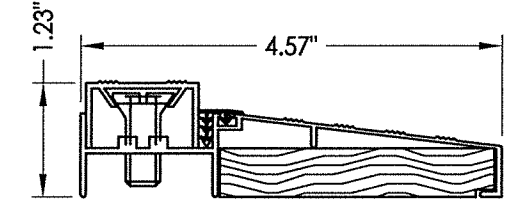
21 INSWING THRESHOLD w/ SIDELITE ADAPTER  
Endura (Z-Series)



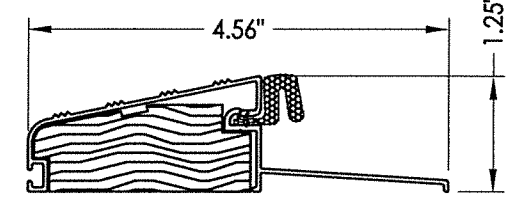
23 OUTSWING THRESHOLD w/ SIDELITE ADAPTER  
Endura (Z-Series)



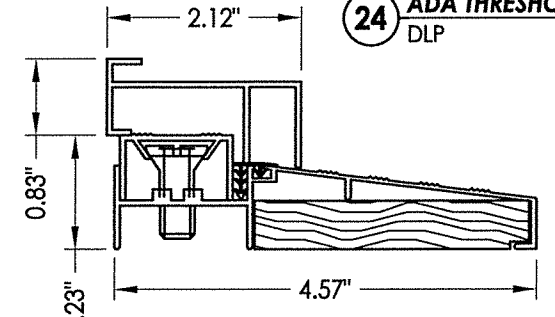
24 ADA THRESHOLD  
DLP



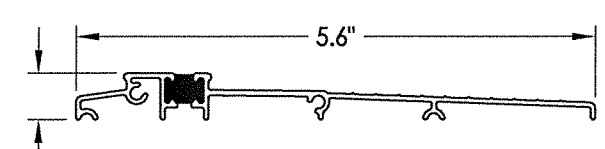
26 INSWING THRESHOLD  
DLP



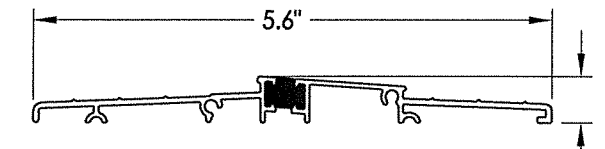
25 OUTSWING THRESHOLD  
DLP



27 INSWING THRESHOLD w/ SIDELITE ADAPTER  
DLP



28 INSWING ADA THRESHOLD  
Endura (Z-Series)



29 OUTSWING ADA THRESHOLD  
Endura (Z-Series)

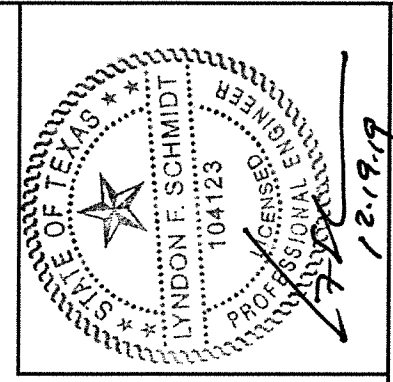
**CONCRETE ANCHOR NOTES:**

- Concrete anchor locations at the corners may be adjusted to maintain the min. edge distance to mortar joints.
- Concrete anchor locations noted as "MAX. ON CENTER" must be adjusted to maintain the min. edge distance to mortar joints, additional concrete anchors may be required to ensure the "MAX. ON CENTER" dimension are not exceeded.
- Concrete anchor table:

ANCHOR TYPE	ANCHOR SIZE	MIN. EMBEDMENT	MIN. CLEARANCE TO MASONRY EDGE	MIN. CLEARANCE TO ADJACENT ANCHOR
ITW BUILDEX TAPCON®	1/4"	1-1/4"	2"	4"
ELCO ULTRACON®	1/4"	1-1/4"	1"	4"

**WOOD SCREW INSTALLATION NOTES:**

- Maintain a minimum 5/8" edge distance, 1" end distance, & 1" o.c. spacing of wood screws to prevent the splitting of wood.



Documents Prepared By: Lyndon F. Schmidt, P.E.  
TEXAS P.E. #104123

**RW** BUILDING CONSULTANTS, INC.  
P.O. Box 230 Valrico FL 33595  
Phone No.: 813.659.9197  
TEXAS BOARD OF PROFESSIONAL ENGINEERS  
CERTIFICATE OF REGISTRATION # F-11852

PRODUCT: WINCORE FIBERGLASS ENTRY DOOR "Impact"  
PART OR ASSEMBLY: BILL OF MATERIALS & COMPONENTS

NO.	DATE	BY

DATE: 12/4/19  
SCALE: N.T.S.  
DWG. BY: RW  
CHK. BY: LFS  
DRAWING NO.: TX-4961  
SHEET 8 OF 8