

GENERAL NOTES:

1. ALL FASTENERS SHALL BE IN ACCORDANCE WITH THESE DRAWINGS. SPECIFIED ANCHOR EMBED TO BASE MATERIAL SHALL BE BEYOND WALL FINISH OR STUCCO.
2. OPENINGS, BUCKING & BUCKING FASTENERS MUST BE PROPERLY DESIGNED & INSTALLED TO TRANSFER WIND LOADS TO THE STRUCTURE.
3. THESE NON-IMPACT RATED PRODUCT INSTALLATIONS ARE IN ACCORDANCE WITH AND MEET THE REQUIREMENTS OF THE INTERNATIONAL BUILDING CODE (IBC).
4. ALL ANCHORS SECURING PRODUCT FRAME TO PRESSURE TREATED BUCKS OR WOOD FRAMING SHALL BE CAPABLE OF RESISTING CORROSION CAUSED BY THE PRESSURE TREATING CHEMICALS IN THE WOOD.
5. TO THE BEST OF OUR KNOWLEDGE, THE PRODUCT SHOWN HEREIN IS CERTIFIED & QUALITY ASSURED BY A NATIONALLY ACCREDITED CERTIFICATION/OA ENTITY & SHALL BE LABELED IN ACCORDANCE WITH CERTIFICATION/OA ENTITIES SPECIFICATIONS. PRODUCT ASSEMBLY IS NOT PART OF THIS DRAWING AND SHALL BE IN ACCORDANCE WITH THE MANUFACTURER'S QUALITY ASSURANCE SPECIFICATIONS & TESTING REPORTS.
6. CERTIFICATION OF THESE PRODUCT INSTALLATIONS SHALL BE CONSIDERED VOID IF ANY OF THE FOLLOWING APPLY: 1) THEY ARE INSTALLED WITHOUT A BUILDING PERMIT FROM THE APPLICABLE LOCAL BUILDING DEPARTMENT. 2) IF THEY ARE INSTALLED BY ANYONE OTHER THAN A LICENSED CONTRACTOR EXPERIENCED WITH WINDOW/DOOR INSTALLATIONS. 3) IF CHANGES HAVE OCCURRED TO THE PRODUCT'S CERTIFICATION ENTITY'S CERTIFICATE THAT CAUSE THESE INSTALLATIONS TO BE INCORRECT OR INCONSISTENT WITH WHAT HAS BEEN TESTED.
7. THE LEAST DESIGN PRESSURE SPECIFIED EITHER IN THIS DRAWING OR IN THE PRODUCTS CERTIFICATION SHALL CONTROL FOR THE INSTALLED PRODUCT.
8. THESE DRAWINGS CERTIFY THE PRODUCT INSTALLATION ONLY. WATER PROOFING OF THE INSTALLED PRODUCT IS NOT PART OF THIS INSTALLATION CERTIFICATION. THAT RESPONSIBILITY SHALL BE THAT OF THE MANUFACTURER &/OR INSTALLER.

INSTALLATION EVALUATION IS BASED ON APPLICABLE ANCHOR STANDARDS AND/OR INFORMATION & RESULTS FROM APPLICABLE TEST REPORTS. THE BUILDING CODE VERSION CONSIDERED WITH THE EVALUATION WAS THAT IN FORCE AT THE TIME OF THE EVALUATION. IN THE EVENT OF CODE VERSION CHANGES/UPDATES OR IN THE EVENT THAT NEW OR ADDITIONAL TESTING IS COMPLETED ON THE REFERENCED PRODUCT, PRIOR TO STATING CODE COMPLIANCE, THE MANUFACTURER SHALL CONFIRM WITH THE INSTALLATION EVALUATION ENGINEER OF RECORD THAT THE INSTALLATIONS SPECIFIED HERE-IN ARE CURRENT WITH THE THEN CURRENT TESTING, CODE AND APPLICABLE STANDARDS.

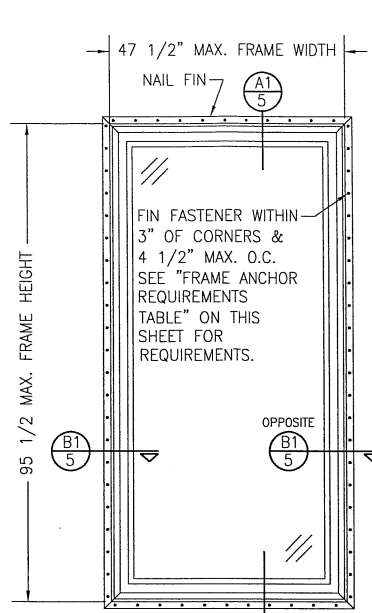
ALTERNATE ANCHOR/SUBSTRATE EVALUATION NOTE:

ALL ALTERNATE ANCHORS IN THEIR SPECIFIED SUBSTRATES HAVE BEEN ANALYZED IN ACCORDANCE WITH THEIR APPLICABLE STANDARD(S) AND ARE FOUND TO BE EQUIVALENT TO OR STRONGER THAN THE

ANCHOR(S) USED IN TEST FRAME ANCHOR REQUIREMENTS TABLE

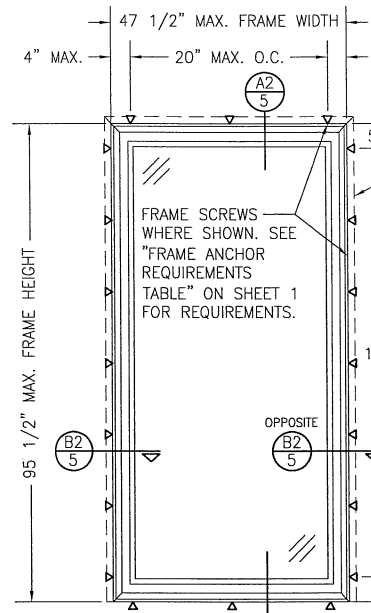
OPENING TYPE (SUBSTRATE)	FRAME/FIN TO OPENING FASTENER TYPE	MINIMUM EMBED	MINIMUM EDGE DIST.
FRAME SCREWS			
MIN. 2X4 WOOD FRAME OR BUCK (MIN. GR. 3 & G=0.55)	NO. 10 SMS OR WOOD SCREW	1 1/4"	3/4"
MIN. 18 GA. 33 KSI METAL STUD	NO. 10 GR. 5 SELF TAP/DRILL SCREW	FULL	1/2"
MIN. 1/8" THK A36 STEEL	NO. 10 GR. 5 SELF TAP/DRILL SCREW	FULL	1/2"
MIN. 1/8" THK 6063-T5 ALUM.	NO. 10 GR. 5 SELF TAP/DRILL SCREW	FULL	1/2"
MIN. C-90 CMU OR 2500 PSI CONCRETE	(1) 1/4" CONCRETE SCREW	1 1/4"	2"
(2) NAILING FIN FASTENERS			
MIN. 2X4 WOOD FRAME OR BUCK (MIN. GR. 3 & G=0.55)	NO. 8 SMS SCREW	1 1/2"	1/2"
MIN. 2X4 WOOD FRAME OR BUCK (MIN. GR. 3 & G=0.55)	11 GA. ROOFING NAIL	1 5/8"	1/2"
MIN. 1/8" THK A36 STEEL	NO. 8 GR. 5 SELF TAP/DRILL SCREW	FULL	1/2"
MIN. 1/8" THK 6063-T5 ALUM.	NO. 8 GR. 5 SELF TAP/DRILL SCREW	FULL	1/2"

- (1) CONCRETE SCREWS SHALL BE ELCO ULTRACONS (C.S.), ELCO CRETE-FLEX (S.S.), ITW RAMSET/RED HEAD TAPCONS (C.S. OR S.S.) OR HILTI KWIK-CON II (C.S OR S.S.).
- (2) WHEN SCREWS ARE USED WITH THE NAIL FIN, THEY MUST BE A WAFFLE HEAD SCREW OR HAVE A FLAT WASHER AT THE SCREW HEAD.



**EXTERIOR ELEVATION;
SINGLE FIXED PANEL DOOR**

SCALE: 1/2" = 1'-0"
(NAIL FIN MOUNT)



**EXTERIOR ELEVATION;
SINGLE FIXED PANEL DOOR**

SCALE: 1/2" = 1'-0"
(FRAME SCREW MOUNT)

NAIL FIN AND ANCHORING OF NAIL FIN IS OPTIONAL & SHALL NOT ACT AS A SUBSTITUTE FOR THE FRAME ANCHORS SPECIFIED. FIN MAY BE REMOVED WHEN REQUIRED BY OPENING CONDITIONS

MAY INCREASE TO 22" O.C. WHEN FRAME WIDTH IS 36" OR LESS.

ALLOWABLE DESIGN PRESSURE (SINGLE FIXED PANEL DOORS ONLY)

+50/-50 PSF

PRESSURE SHOWN IN THIS TABLE IS FOR INSTALLATION CONDITIONS ONLY. THE GOVERNING DESIGN PRESSURE ON THE DOORS SHALL BE THE LESSER OF THAT SHOWN IN THE INDIVIDUAL DOOR'S TDI APPROVAL OR THAT SHOWN IN THIS TABLE.

INSTALLATION NOTE:
WHEN NECESSARY, INSTALLATION METHODS MAY BE MIXED WITH ANY ONE DOOR SUCH THAT INDIVIDUAL SIDES OF THE DOOR MAY USE ONE OR THE OTHER ANCHOR METHOD (EXAMPLE: SILL MAY USE FRAME SCREWS METHOD WHILE OTHER SIDES USE FIN)

THESE DRAWINGS ARE APPLICABLE ONLY TO THE PRODUCT SPECIFIED. THEY MAY NOT BE USED FOR THE ASSEMBLY AND/OR INSTALLATION OF ANY OTHER PRODUCT NOR MAY THEY BE USED FOR RATIONAL AND/OR LOCAL APPROVAL OF ANY PRODUCT NOT PRODUCED BY THE MANUFACTURER STATED ON THESE DRAWINGS.

DRAWN BY: W.W.S.	CHECKED BY: W.W.S.	PLOT: 1-24	DATE: 07/15/19
NO.	REVISION DESCRIPTION	DATE	
1	ADD 3 & 4-PANEL DOORS	09/16/19	

250 SERIES NON-IMPACT VINYL SLIDING PATIO DOOR

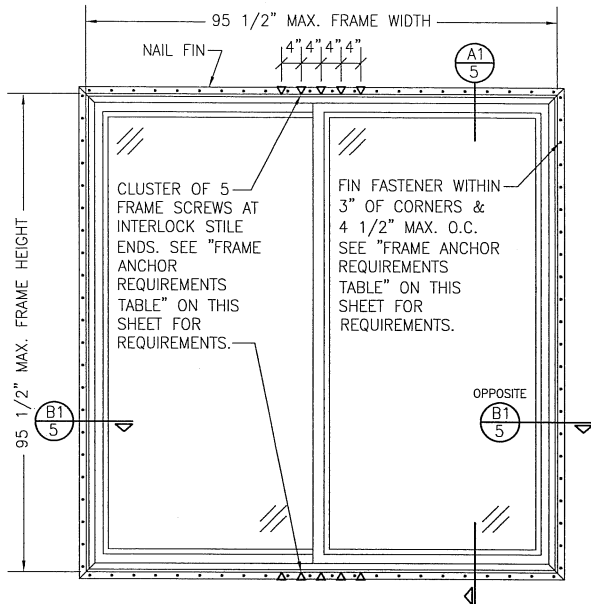
JOB INFORMATION:
PELLA CORPORATION
102 MAIN STREET
PELLA, IA 50219
641-621-1000

W. W. SCHAEFER ENGINEERING & CONSULTING, P.A. (REG. NO. F-14980)
7480 190TH COURT NORTH
PALM BEACH GARDENS, FL 33418
PHONE: 561-744-3424

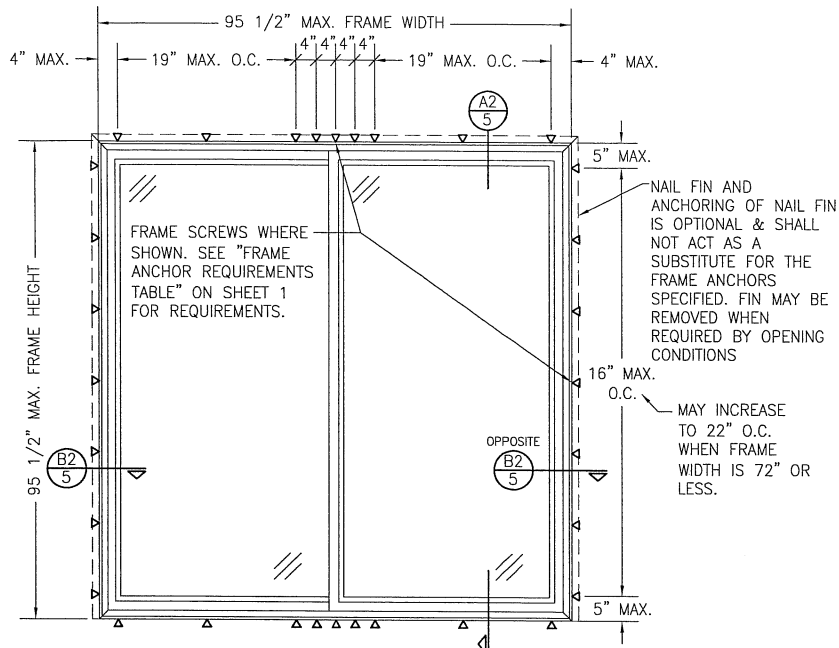
WARREN W. SCHAEFER, P.E.
P.E. NO. 113497

STATE OF TEXAS
REGISTERED PROFESSIONAL ENGINEER
WARREN W. SCHAEFER
SEP 16 2019

DRAWING NO. 1961T	REV. A
SHEET NO. 1 OF 5	




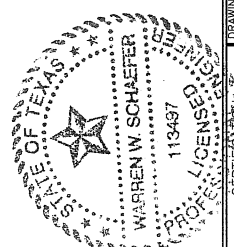
EXTERIOR ELEVATION:
2-PANEL SLIDING PATIO DOOR
 SCALE: 1/2" = 1'-0"
 (NAIL FIN MOUNT)

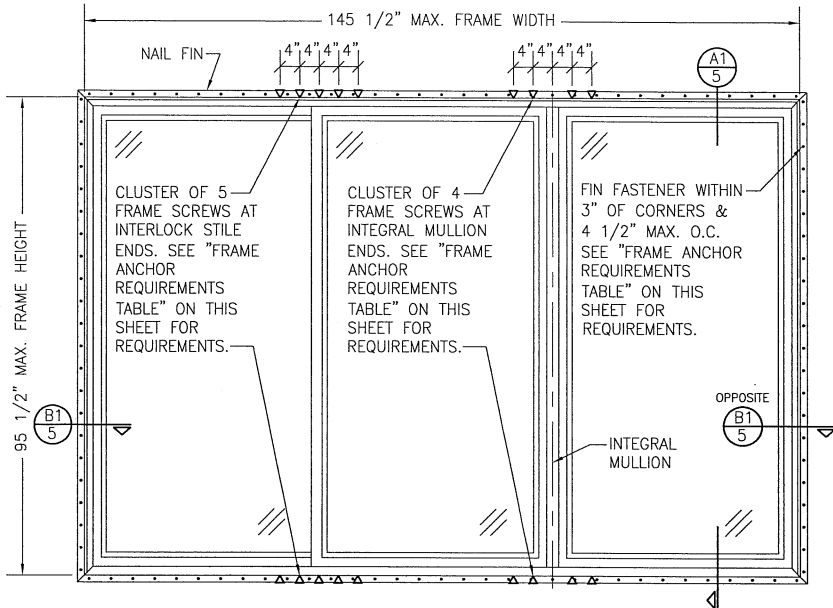


EXTERIOR ELEVATION:
2-PANEL SLIDING PATIO DOOR
 SCALE: 1/2" = 1'-0"
 (FRAME SCREW MOUNT)

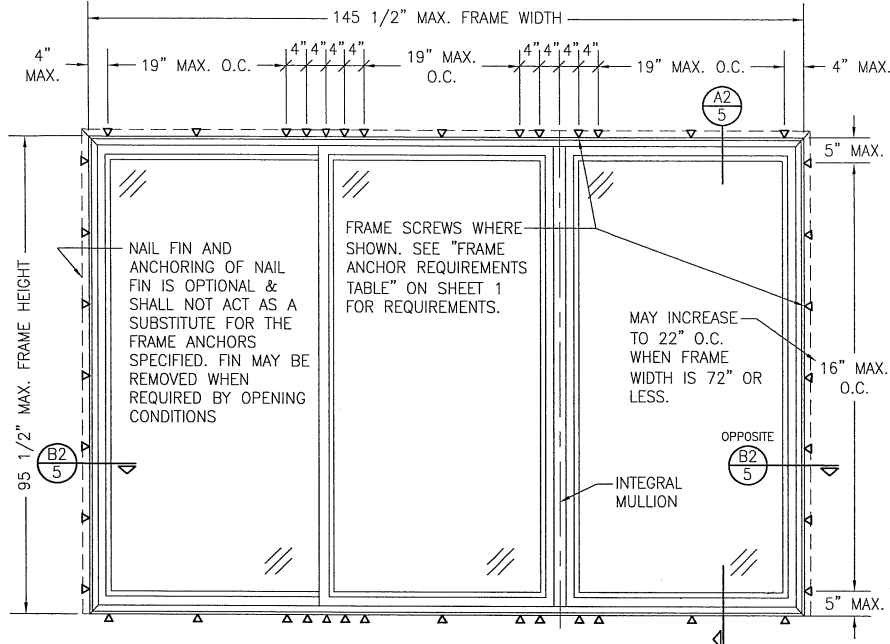
ALLOWABLE DESIGN PRESSURE (2-PANEL DOORS)		
MAX. FRAME WIDTH (IN.)	MAX. FRAME HEIGHT (IN.)	ALLOWABLE PRESSURE (+/- PSF)
96	96	35
96	82	45

PRESSURE SHOWN IN THIS TABLE IS FOR INSTALLATION CONDITIONS ONLY. THE GOVERNING DESIGN PRESSURE ON THE DOORS SHALL BE THE LESSER OF THAT SHOWN IN THE INDIVIDUAL DOOR'S TDI APPROVAL OR THAT SHOWN IN THIS TABLE.

DRAWN BY: W.W.S.		CHECKED BY: W.W.S.	
PLOT: 1-24		DATE: 07/15/19	
DATE	BY	REVISION DESCRIPTION	NO.
DRAWING TITLE: 250 SERIES NON-IMPACT VINYL SLIDING PATIO DOOR JOB INFORMATION: PELLA CORPORATION, 102 MAIN STREET, PELLA, IA 50219, 641-621-1000  CONSULTANTS: W. W. SCHAEFER ENGINEERING & CONSULTING, P.A. (REG. NO. F-14980), 7480 150TH COURT NORTH, PALM BEACH GARDENS, FL 33418, PHONE: 561-744-3424 CERTIFICATION: SEP 16 2019, WARREN W. SCHAEFER, P.E., NO. 113497 			
DRAWING NO.	REV.	SHEET NO.	
1961T	A	2 OF 5	


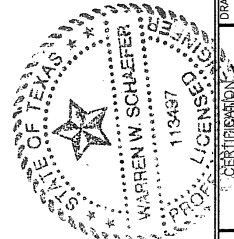


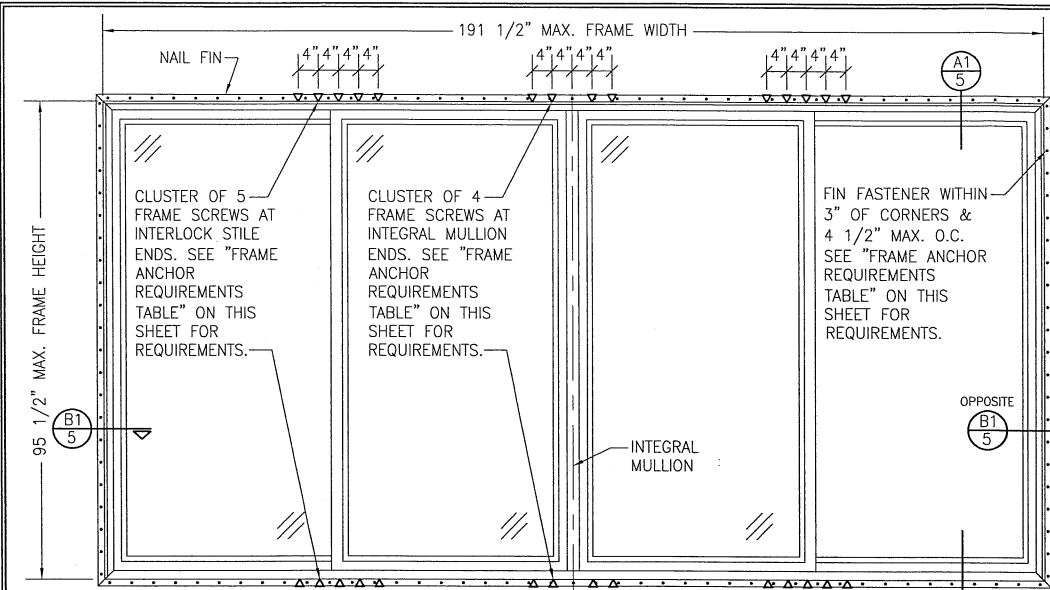
EXTERIOR ELEVATION:
3-PANEL SLIDING PATIO DOOR
 SCALE: 1/2" = 1'-0"
 (NAIL FIN MOUNT)



EXTERIOR ELEVATION:
3-PANEL SLIDING PATIO DOOR
 SCALE: 1/2" = 1'-0"
 (FRAME SCREW MOUNT)

ALLOWABLE DESIGN PRESSURE (3-PANEL DOORS ONLY)
+35/-35 PSF
<p>PRESSURE SHOWN IN THIS TABLE IS FOR INSTALLATION CONDITIONS ONLY. THE GOVERNING DESIGN PRESSURE ON THE DOORS SHALL BE THE LESSER OF THAT SHOWN IN THE INDIVIDUAL DOOR'S TDI APPROVAL OR THAT SHOWN IN THIS TABLE.</p>

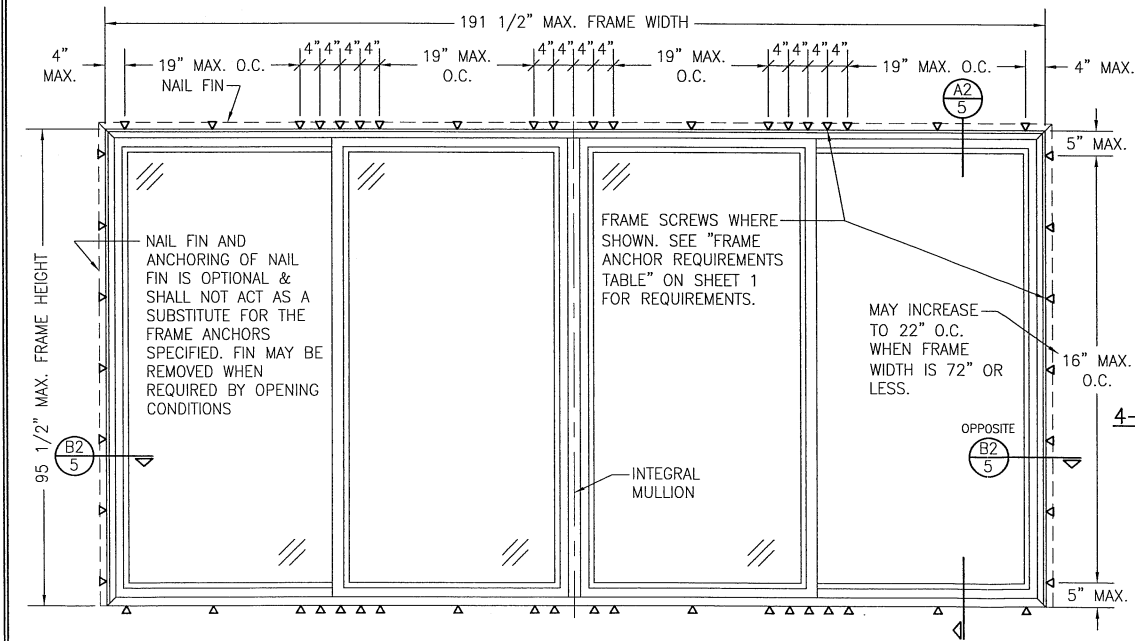
DRAWN BY: W.W.S.	CHECKED BY: W.W.S.
PLOT: 1-24	DATE: 07/15/19
DATE	
BY	
NO.	REVISION DESCRIPTION
250 SERIES NON-IMPACT VINYL SLIDING PATIO DOOR	
JOB INFORMATION: PELLA CORPORATION 102 MAIN STREET PELLA, IA 50219 641-621-1000	
	
CONSULTANTS: W. W. SCHAEFER ENGINEERING & CONSULTING, P.A. (REG. NO. F-14980) 7480, 150TH COURT NORTH, 33418 PALM BEACH GARDENS, FL PHONE: 561-744-3424	
	
SEP 16 2019	
DRAWING TITLE: 250 SERIES NON-IMPACT VINYL SLIDING PATIO DOOR	
DRAWING NO. 1961T	REV. A
SHEET NO.	
3	OF 5



**EXTERIOR ELEVATION:
4-PANEL SLIDING PATIO DOOR**
SCALE: 1/2" = 1'-0"
(NAIL FIN MOUNT)

ALLOWABLE DESIGN PRESSURE (4-PANEL DOORS ONLY)	
FIN MOUNT	+/-25 PSF
FRAME SCREW MOUNT	+/-30 PSF

PRESSURE SHOWN IN THIS TABLE IS FOR INSTALLATION CONDITIONS ONLY. THE GOVERNING DESIGN PRESSURE ON THE DOORS SHALL BE THE LESSER OF THAT SHOWN IN THE INDIVIDUAL DOOR'S TDI APPROVAL OR THAT SHOWN IN THIS TABLE.



**EXTERIOR ELEVATION:
4-PANEL SLIDING PATIO DOOR**
SCALE: 1/2" = 1'-0"
(FRAME SCREW MOUNT)

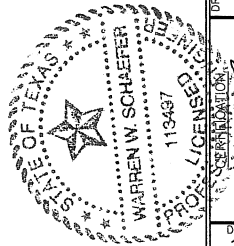
DRAWN BY: W.W.S.	CHECKED BY: W.W.S.
PLOT: 1-24	DATE: 07/15/19
DATE	
BY	
REVISION DESCRIPTION	
NO.	

250 SERIES NON-IMPACT VINYL SLIDING PATIO DOOR

PELLA CORPORATION
102 MAIN STREET
PELLA, IA 50219
641-621-1000



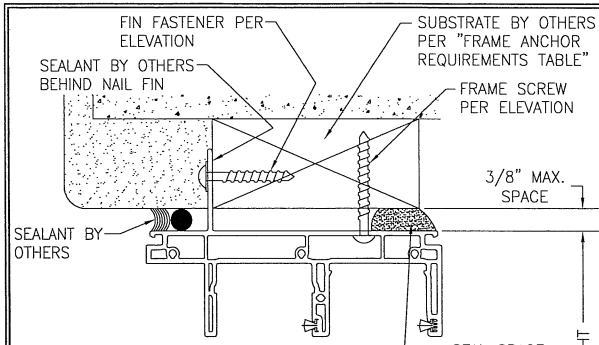
CONSULTANTS
W. W. SCHAEFER ENGINEERING & CONSULTING, P.A. (REG. NO. F-14980)
7460 150TH COURT NORTH
PALM BEACH GARDENS, FL 33418
PHONE: 561-744-3424



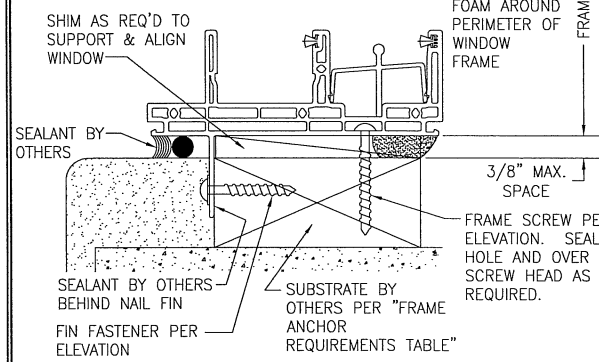
SEP 16 2019

WARREN W. SCHAEFER, P.E.
P.E. NO. 113487

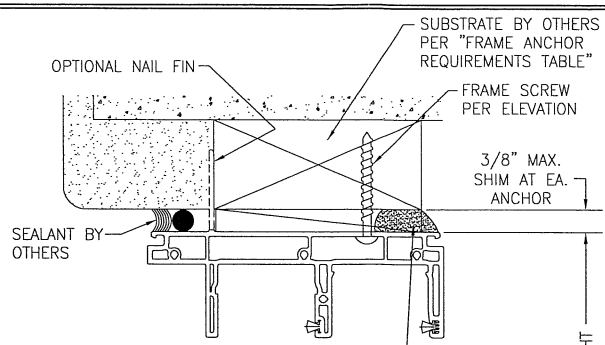
DRAWING NO. 1961T	REV. A
SHEET NO. 4	OF 5



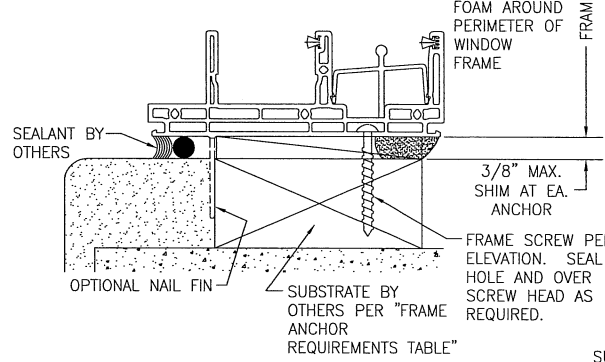
EXTERIOR



SECTION A1
SCALE: 3/4 FULL
(NAIL FIN MOUNT)

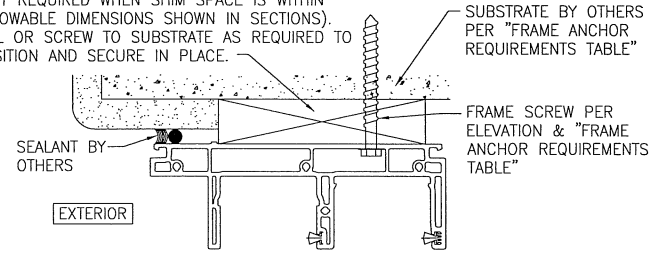


EXTERIOR



SECTION A2
SCALE: 3/4 FULL
(FRAME SCREW MOUNT)

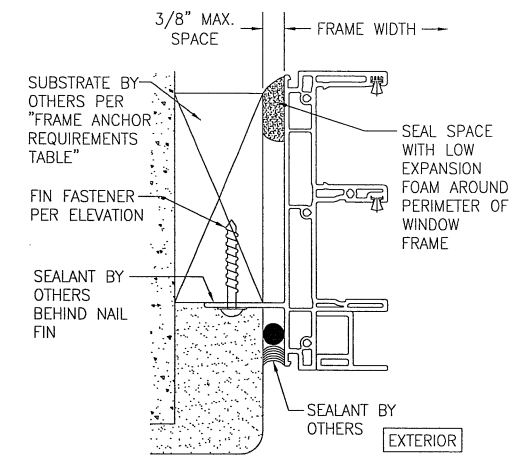
CONTINUOUS WOOD MEMBER LESS IN THICKNESS THAN A 2X BUCK TO BE MIN. 3 1/2" DEEP (NOT REQUIRED WHEN SHIM SPACE IS WITHIN ALLOWABLE DIMENSIONS SHOWN IN SECTIONS). NAIL OR SCREW TO SUBSTRATE AS REQUIRED TO POSITION AND SECURE IN PLACE.



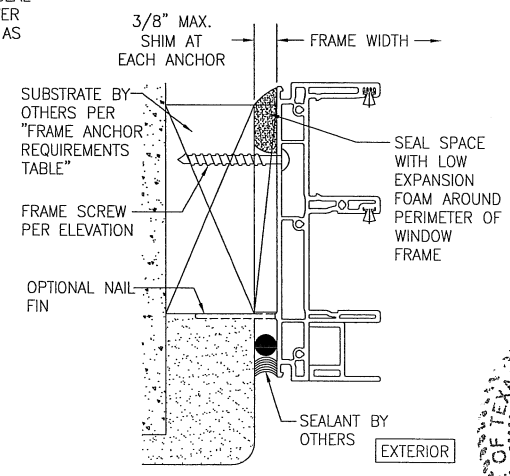
EXTERIOR

OPTIONAL DIRECT MOUNT DETAIL TO SUBSTRATE WITH SPACER

(HEAD SECTION SHOWN; SILL & SIDES ARE INSTALLED THE SAME)
(FOR DETAIL NOT SHOWN, SEE OTHER SECTIONS)



SECTION B1
SCALE: 3/4 FULL
(NAIL FIN MOUNT)



SECTION B2
SCALE: 3/4 FULL
(FRAME SCREW MOUNT)

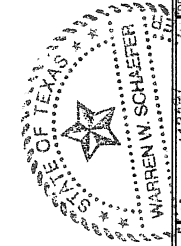
DRAWN BY: W.W.S.	CHECKED BY: W.W.S.
PLOT: 1=24	DATE: 07/15/19
NO.	REVISION DESCRIPTION

250 SERIES NON-IMPACT VINYL SLIDING PATIO DOOR

JOB INFORMATION:
PELLA CORPORATION
102 MAIN STREET
PELLA, IA 50219
641-621-1000



CONSULTANTS
W. W. SCHAEFER ENGINEERING & CONSULTING, P.A. (REG. NO. F-14980)
7480, 150TH COURT NORTH
PALM BEACH GARDENS, FL 33418
PHONE: 561-744-3424



CERTIFICATION
LICENSED PROFESSIONAL ENGINEER
WARREN W. SCHAEFER, P.E.
WARREN W. SCHAEFER, P.E.
P.E. NO. 113497

DRAWING NO. 1961T	REV. A
SHEET NO. 5	OF 5