

BATOR NORTH AMERICA INDUSTRIAL DOORS

BATOR HURRICANE FOUR FOLD DOOR STEEL BI-FOLDING DOOR ASSEMBLY



BATOR NORTH AMERICA
1451 S ELM-EUGENE ST
GREENSBORO, NC 27406
PH: (336)907-2286 FAX: (336)907-2287

TITLE: BATOR HURRICANE FOUR FOLD DOOR
STEEL BI-FOLDING DOOR ASSEMBLY
GENERAL NOTES AND
GLAZING DETAIL

PREPARED BY:
BUILDING DROPS, INC.
398 E. DANIA BEACH BLVD., STE. 338
DANIA BEACH, FL 33004
PH: (954)399-8478
FAX: (954)744-4738
WEB: www.buildingdrops.com

REMARKS	BY	DATE
A. 2018 CODE UPDATE	MS	JAN/22

THE INSTALLATION DETAILS DESCRIBED HEREIN ARE GENERIC AND MAY NOT REFLECT ACTUAL CONDITIONS FOR A SPECIFIC SITE. IF SITE CONDITIONS CAUSE INSTALLATION TO DEVIATE FROM THE REQUIREMENTS DETAILED HEREIN, A LICENSED ENGINEER OR ARCHITECT SHALL PREPARE SITE SPECIFIC DOCUMENTS FOR USE WITH THIS DOCUMENT



HERMES F. NORERO, P.E.
TEXAS P.E. No 118471
BUILDING DROPS, INC
398 E. DANIA BEACH BLVD. # 338
DANIA BEACH, FL 33004
TBPE CERT. OF AUTHORIZATION No. 13734

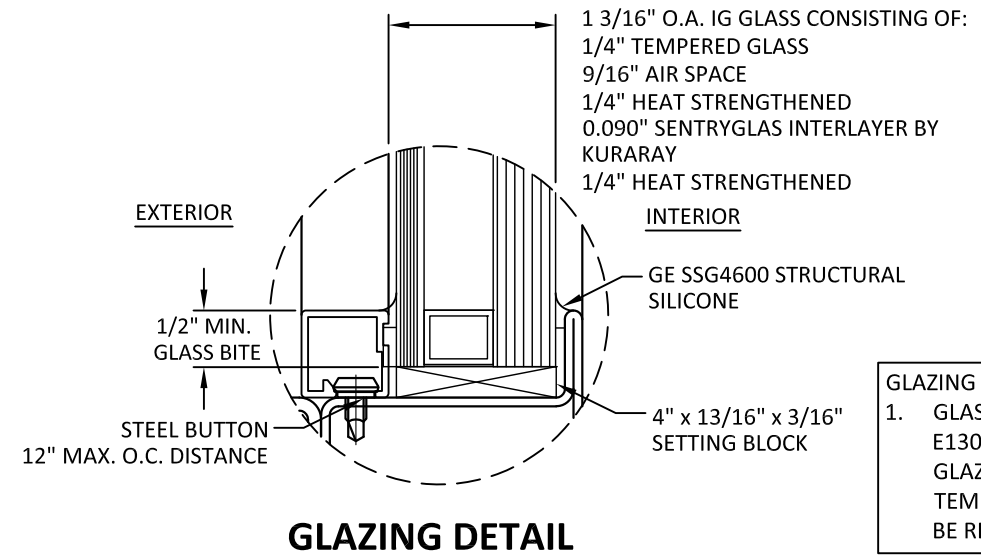
DATE: 11.14.18
DWG. BY: HR CHK. BY: HFN
SCALE: NTS
DWG. #: BNA002
SECTION:

TABLE OF CONTENTS	
SHEET	SHEET DESCRIPTION
1	GENERAL NOTES & GLAZING DETAIL
2	ELEVATION, SECTION & DETAILS
3	ANCHOR LAYOUT
4	VERTICAL SECTIONS
5	HORIZONTAL SECTIONS
6	INSTALLATION NOTES AND ANCHOR DETAIL
7	BILL OF MATERIALS & COMPONENTS
8	COMPONENTS

DESIGN PRESSURE RATING	
DESIGN PRESSURE	MISSILE IMPACT RATING
+120.0 / -120.0 PSF	LARGE MISSILE IMPACT RATED

GENERAL NOTES:

1. THE PRODUCT SHOWN HEREIN IS DESIGNED AND MANUFACTURED TO COMPLY WITH THE 2018 INTERNATIONAL BUILDING CODE (IBC) AND 2018 INTERNATIONAL RESIDENTIAL CODE (IRC), AND HAS BEEN EVALUATED ACCORDING TO THE FOLLOWING:
 - TAS 201-94
 - TAS 202-94
 - TAS 203-94
2. ADEQUACY OF THE EXISTING STRUCTURAL CONCRETE/MASONRY AND FRAMING AS A MAIN WIND FORCE RESISTING SYSTEM CAPABLE OF WITHSTANDING AND TRANSFERRING APPLIED PRODUCT LOADS TO THE FOUNDATION IS THE RESPONSIBILITY OF THE ENGINEER OR ARCHITECT OF RECORD FOR THE PROJECT OF INSTALLATION.
3. 1X and 2X BUCKS (WHEN USED) SHALL BE DESIGNED AND ANCHORED TO PROPERLY TRANSFER ALL LOADS TO THE STRUCTURE. BUCK DESIGN AND INSTALLATION IS THE RESPONSIBILITY OF THE ENGINEER OR ARCHITECT OF RECORD FOR THE PROJECT OF INSTALLATION.
4. THE INSTALLATION DETAILS DESCRIBED HEREIN ARE GENERIC AND MAY NOT REFLECT ACTUAL CONDITIONS FOR A SPECIFIC SITE. IF SITE CONDITIONS CAUSE INSTALLATION TO DEVIATE FROM THE REQUIREMENTS DETAILED HEREIN, A LICENSED ENGINEER OR ARCHITECT SHALL PREPARE SITE SPECIFIC DOCUMENTS FOR USE WITH THIS DOCUMENT. INSTALLATION TO BE REVIEWED BY AHJ (AUTHORITY HAVING JURISDICTION).
5. APPROVED IMPACT PROTECTIVE SYSTEM **IS NOT REQUIRED** ON THIS PRODUCT IN AREAS REQUIRING IMPACT RESISTANCE.
6. DOOR FRAME MATERIAL: STEEL A513
7. GLASS MEETS THE REQUIREMENTS OF ASTM E 1300 GLASS CHARTS. SEE SHEET 1 FOR GLAZING DETAIL.



GLAZING NOTES:

1. GLASS TYPE AND THICKNESS COMPLIES WITH ASTM E1300 REQUIREMENTS AS WELL AS APPLICABLE SAFETY GLAZING REQUIREMENTS PER THE IBC. THICKNESS, TEMPER, AND SAFETY GLAZING REQUIREMENTS SHALL BE REVIEWED ON A SITE SPECIFIC BASIS.

1/12/2022 6:18 PM
s:\projects\bator_north_america\tdi-21-1233 - re-evaluation - rfd_submittal - re-evaluation - dfr075 bator hurricane four-fold door\dwgs\lbn002.dwg

bator[®]

BATOR NORTH AMERICA
 1451 S ELM-EUGENE ST
 GREENSBORO, NC 27406
 PH: (336)907-2286 FAX: (336)907-2287

TITLE: BATOR HURRICANE FOUR FOLD DOOR
 STEEL BI-FOLDING DOOR ASSEMBLY

ELEVATION, SECTION
 & DETAILS

PREPARED BY:
BUILDING DROPS, INC.
 398 E. DANIA BEACH BLVD., STE. 338
 DANIA BEACH, FL 33004
 PH: (954)399-8478
 FAX: (954)744-4738
 WEB: www.buildingdrops.com



REMARKS	BY	DATE
A. 2018 CODE UPDATE	MS	JAN/22

THE INSTALLATION DETAILS DESCRIBED HEREIN ARE GENERIC AND MAY NOT REFLECT ACTUAL CONDITIONS FOR A SPECIFIC SITE. IF SITE CONDITIONS CAUSE INSTALLATION TO DEVIATE FROM THE REQUIREMENTS DETAILED HEREIN, A LICENSED ENGINEER OR ARCHITECT SHALL PREPARE SITE SPECIFIC DOCUMENTS FOR USE WITH THIS DOCUMENT



HERMES F. NORERO, P.E.
 TEXAS P.E. No 118471
 BUILDING DROPS, INC
 398 E. DANIA BEACH BLVD., # 338
 DANIA BEACH, FL 33004
 TBPE CERT. OF AUTHORIZATION No. 13734

DATE: **11.14.18**

DWG. BY: **HR** CHK. BY: **HFN**

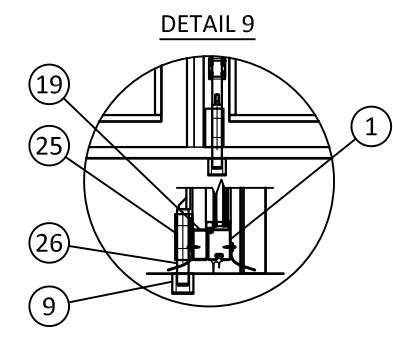
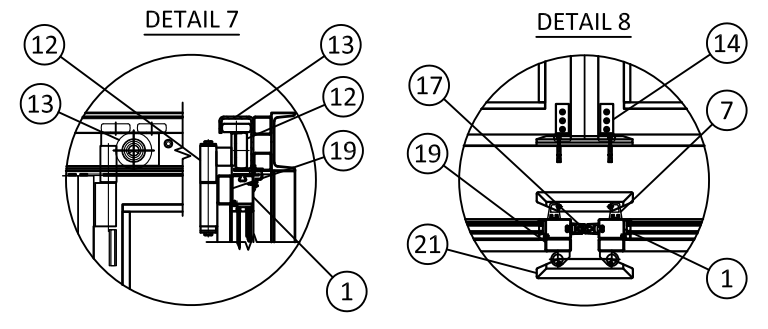
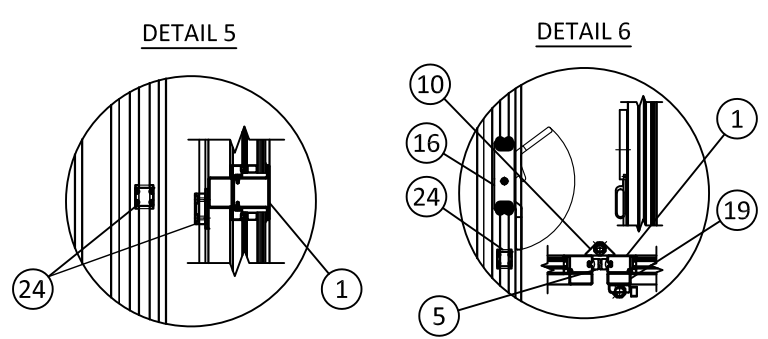
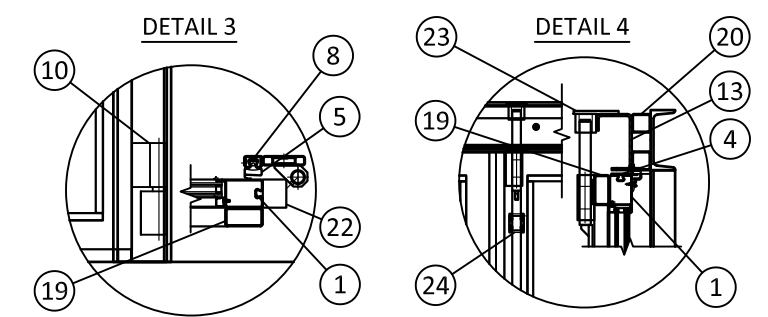
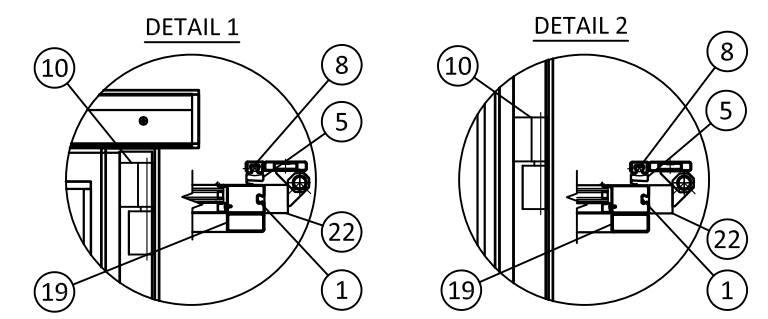
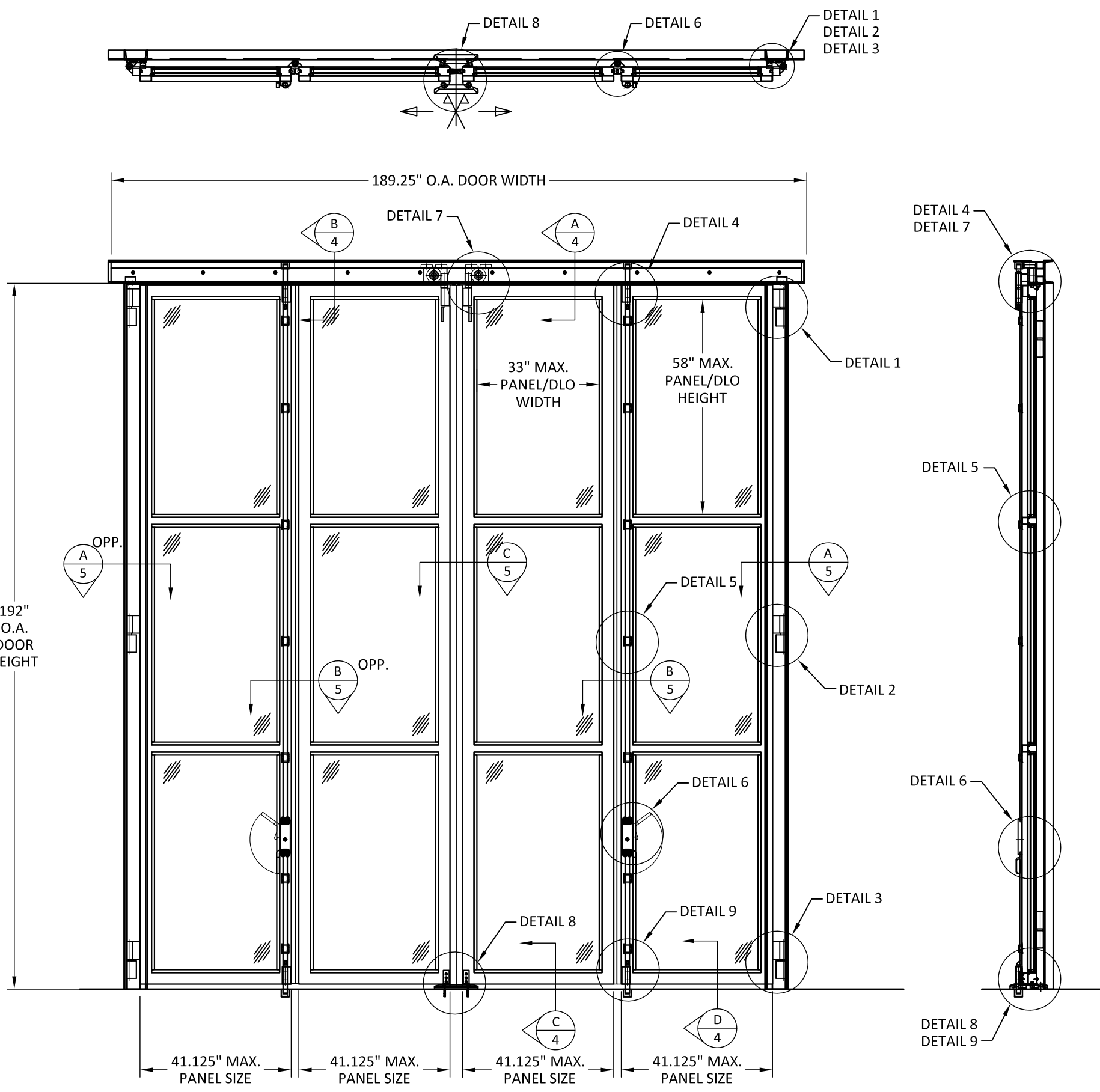
SCALE: **NTS**

DWG. #: **BNA002**

SECTION:

2

OF 8



A EXTERIOR ELEVATION

B VERTICAL SECTION

1/12/2022 6:18 PM s:\projects\bator north america\1-df-21-1233 - rfd submittal - re-evaluation - df-075 bator hurricane four-fold door.dwg\lbn002.dwg

TITLE: BATOR HURRICANE FOUR FOLD DOOR
 STEEL BI-FOLDING DOOR ASSEMBLY

ANCHOR LAYOUTS

PREPARED BY: **BUILDING DROPS, INC.**
 398 E. DANIA BEACH BLVD., STE. 338
 DANIA BEACH, FL 33004
 PH: (954)399-8478
 FAX: (954)744-4738
 WEB: www.buildingdrops.com



REMARKS	BY	DATE
A. 2018 CODE UPDATE	MS	JAN/22

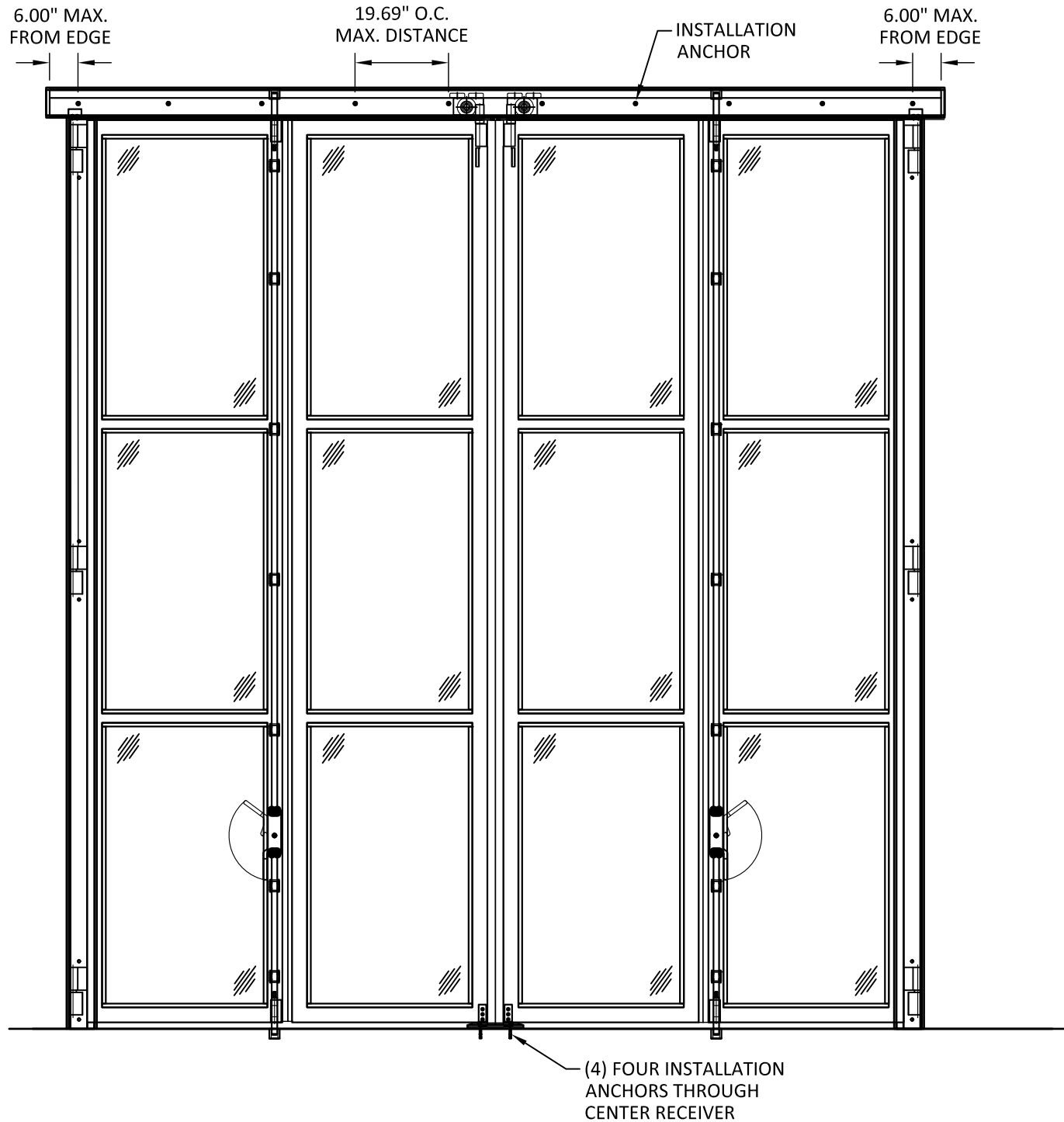
THE INSTALLATION DETAILS DESCRIBED HEREIN ARE GENERIC AND MAY NOT REFLECT ACTUAL CONDITIONS FOR A SPECIFIC SITE. IF SITE CONDITIONS CAUSE INSTALLATION TO DEVIATE FROM THE REQUIREMENTS DETAILED HEREIN, A LICENSED ENGINEER OR ARCHITECT SHALL PREPARE SITE SPECIFIC DOCUMENTS FOR USE WITH THIS DOCUMENT



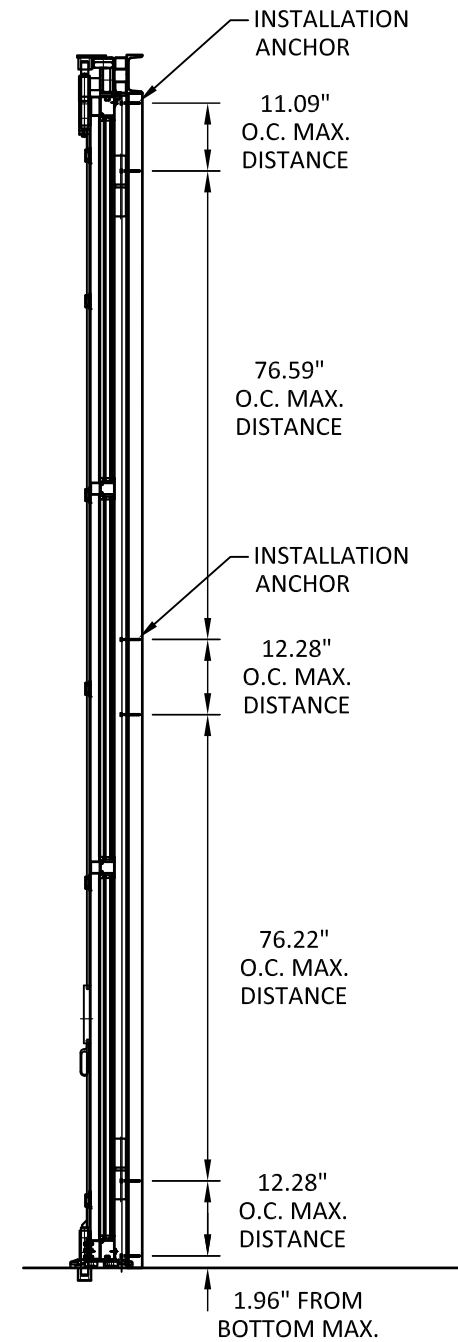
HERMES F. NORERO, P.E.
 TEXAS P.E. No 118471
 BUILDING DROPS, INC
 398 E. DANIA BEACH BLVD., # 338
 DANIA BEACH, FL 33004
 TBPE CERT. OF AUTHORIZATION No. 13734

DATE:	11.14.18	
DWG. BY:	HR	CHK. BY: HFN
SCALE:	NTS	
DWG. #:	BNA002	

SECTION: **3**



A
3 ANCHOR LAYOUT
INTERIOR ELEVATION



B
3 ANCHOR LAYOUT
VERTICAL SECTION

s:\projects\bator north america\tdi-21-1233 - r-e-evaluation - dr-075 bator hurricane four-fold door.dwg\dwgs\brna002.dwg 1/12/2022 6:19 PM

TITLE: BATOR HURRICANE FOUR FOLD DOOR
 STEEL BI-FOLDING DOOR ASSEMBLY

VERTICAL SECTIONS

PREPARED BY:
BUILDING DROPS, INC.
 398 E. DANIA BEACH BLVD., STE. 338
 DANIA BEACH, FL 33004
 PH: (954)399-8478
 FAX: (954)744-4738
 WEB: www.buildingdrops.com

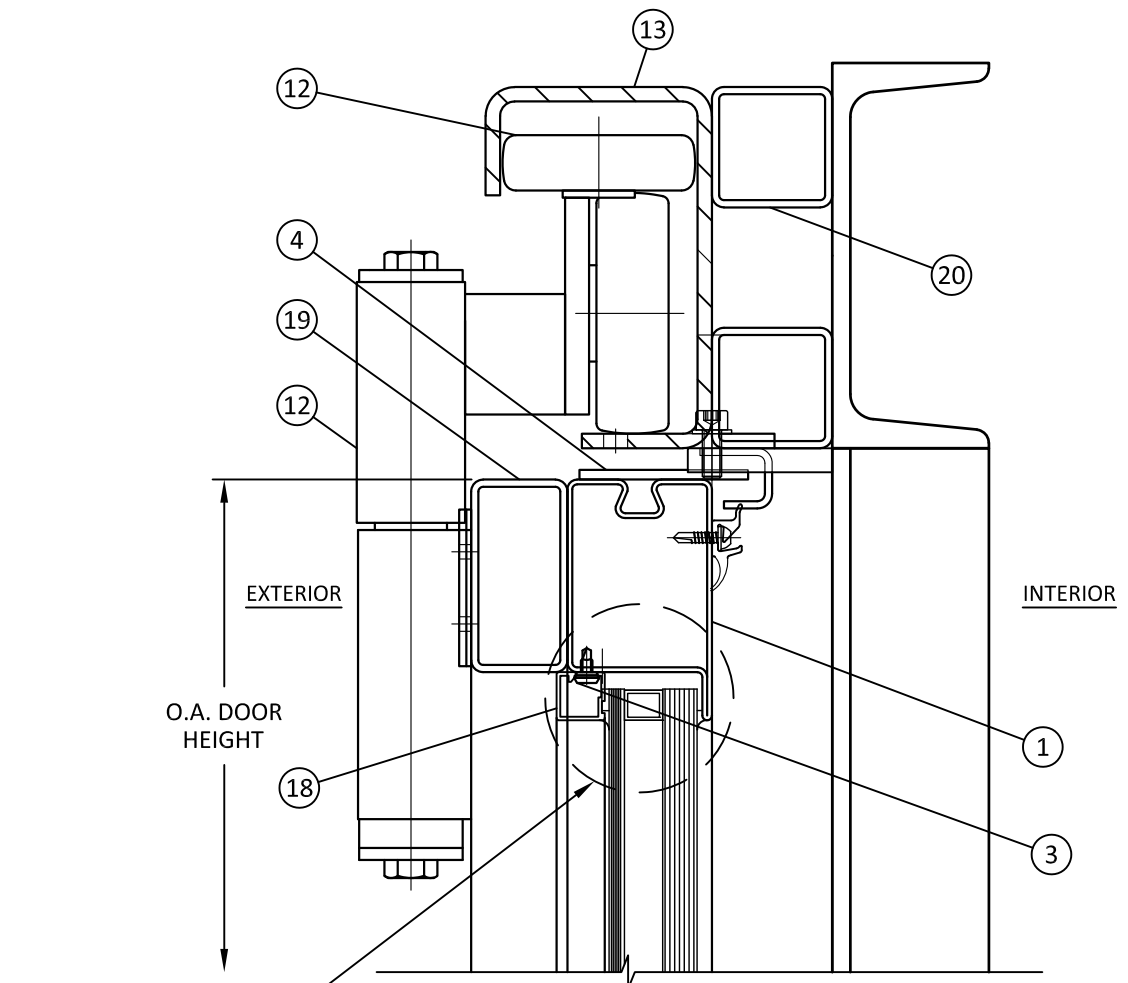
REMARKS	BY	DATE
A. 2018 CODE UPDATE	MS	JAN/22

THE INSTALLATION DETAILS DESCRIBED HEREIN ARE GENERIC AND MAY NOT REFLECT ACTUAL CONDITIONS FOR A SPECIFIC SITE. IF SITE CONDITIONS CAUSE INSTALLATION TO DEVIATE FROM THE REQUIREMENTS DETAILED HEREIN, A LICENSED ENGINEER OR ARCHITECT SHALL PREPARE SITE SPECIFIC DOCUMENTS FOR USE WITH THIS DOCUMENT



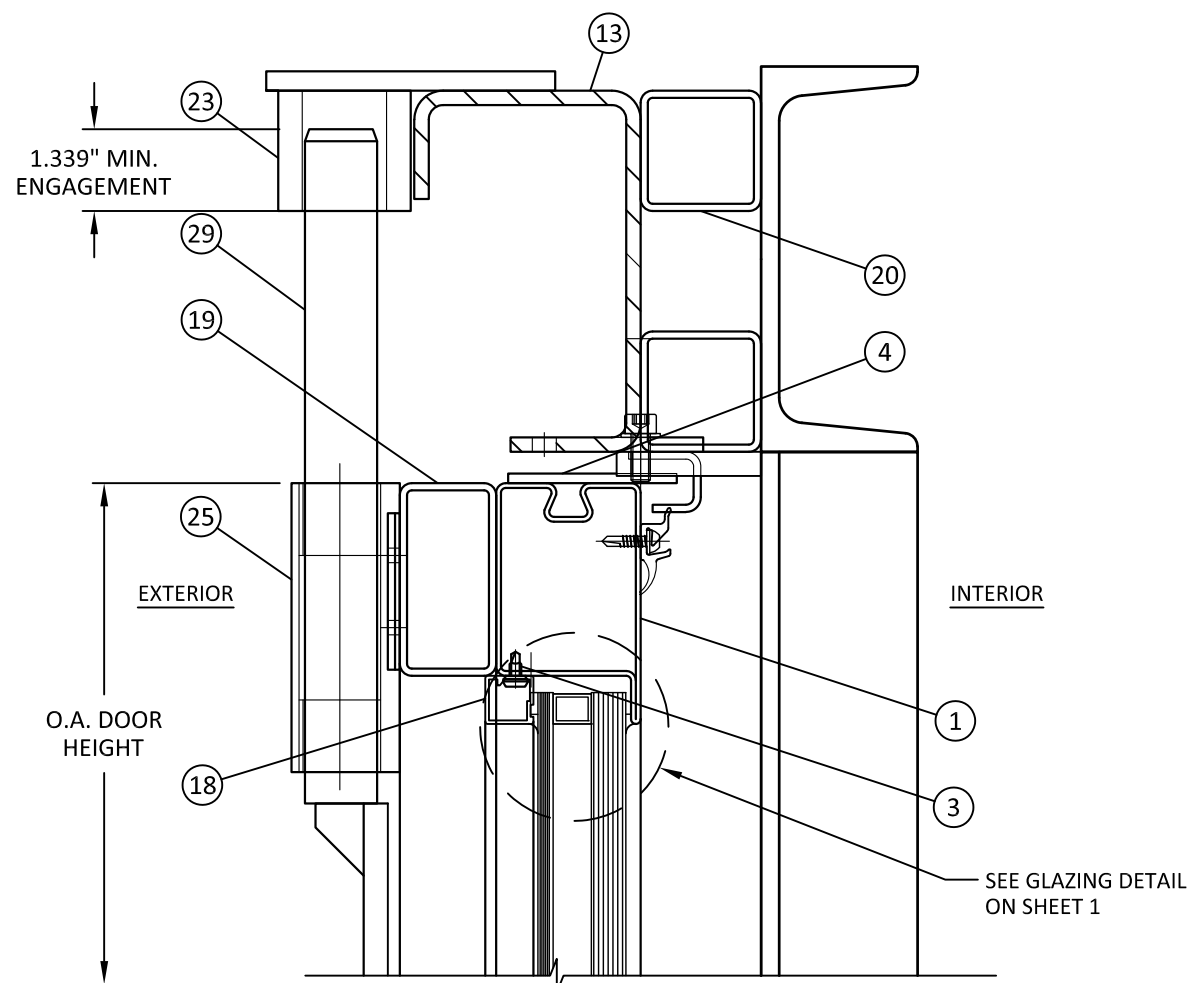
HERMES F. NORERO, P.E.
 TEXAS P.E. No 118471
 BUILDING DROPS, INC
 398 E. DANIA BEACH BLVD., # 338
 DANIA BEACH, FL 33004
 TBPE CERT. OF AUTHORIZATION No. 13734

DATE:	11.14.18	
DWG. BY:	HR	CHK. BY: HFN
SCALE:	NTS	
DWG. #:	BNA002	
SECTION:	4	



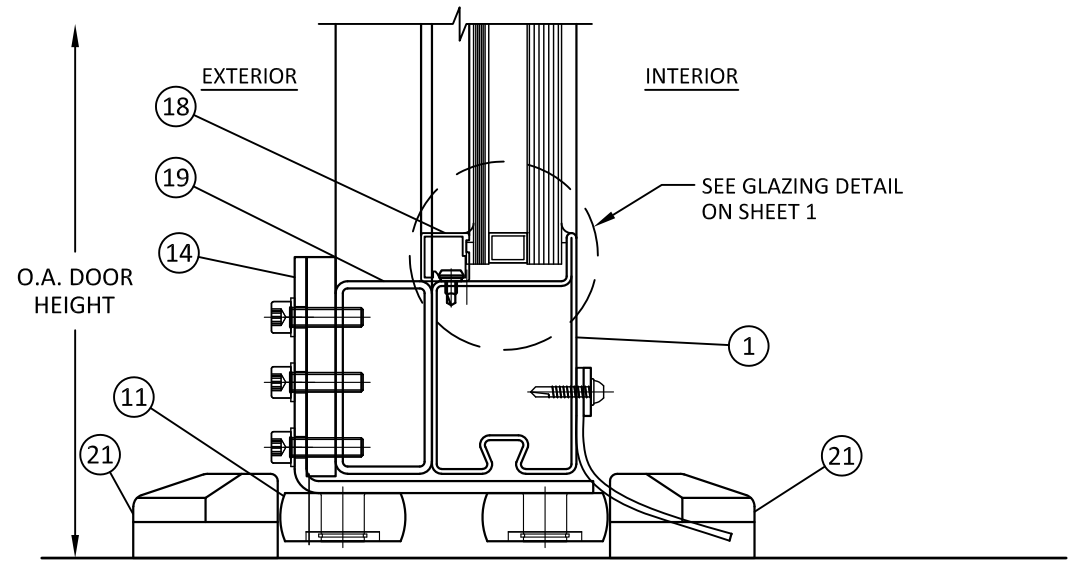
A
4
VERTICAL SECTION
 TOP RAIL - ASTRAGAL

SEE GLAZING DETAIL ON SHEET 1



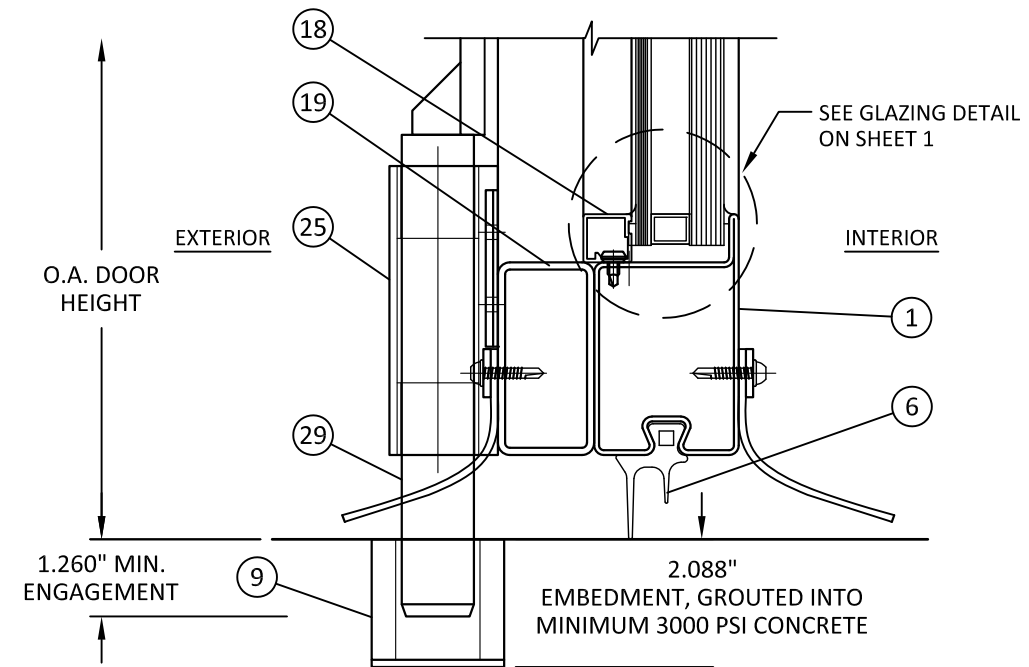
B
4
VERTICAL SECTION
 TOP RAIL - HINGE

SEE GLAZING DETAIL ON SHEET 1



C
4
VERTICAL SECTION
 BOTTOM RAIL - ASTRAGAL

SEE GLAZING DETAIL ON SHEET 1



D
4
VERTICAL SECTION
 BOTTOM RAIL - HINGE

2.088\"/>

s:\projects\bator north america\tdi-21-1233 - fdi submittal - re-evaluation - dtd075 bator hurricane four-fold door.dwg\dwgs\bna002.dwg 1/12/2022 6:19 PM

TITLE: BATOR HURRICANE FOUR FOLD DOOR
 STEEL BI-FOLDING DOOR ASSEMBLY

HORIZONTAL SECTIONS

PREPARED BY: BUILDING DROPS, INC.
 398 E. DANIA BEACH BLVD., STE. 338
 DANIA BEACH, FL 33004
 PH: (954)399-8478
 FAX: (954)744-4738
 WEB: www.buildingdrops.com

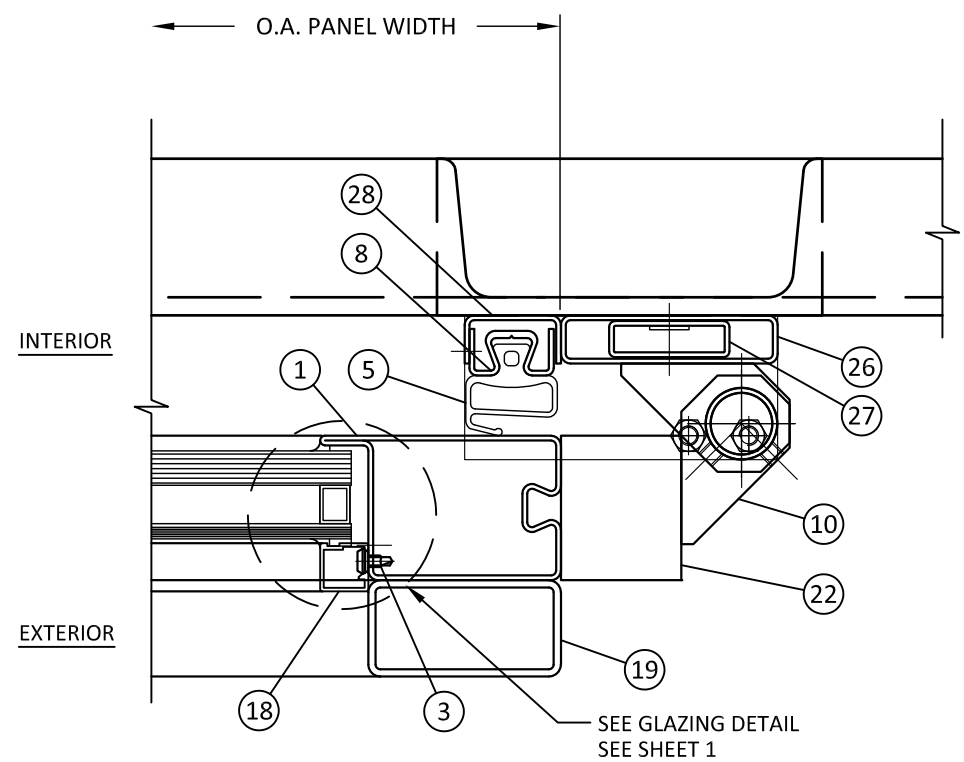
REMARKS	BY	DATE
A. 2018 CODE UPDATE	MS	JAN/22

THE INSTALLATION DETAILS DESCRIBED HEREIN ARE GENERIC AND MAY NOT REFLECT ACTUAL CONDITIONS FOR A SPECIFIC SITE. IF SITE CONDITIONS CAUSE INSTALLATION TO DEVIATE FROM THE REQUIREMENTS DETAILED HEREIN, A LICENSED ENGINEER OR ARCHITECT SHALL PREPARE SITE SPECIFIC DOCUMENTS FOR USE WITH THIS DOCUMENT

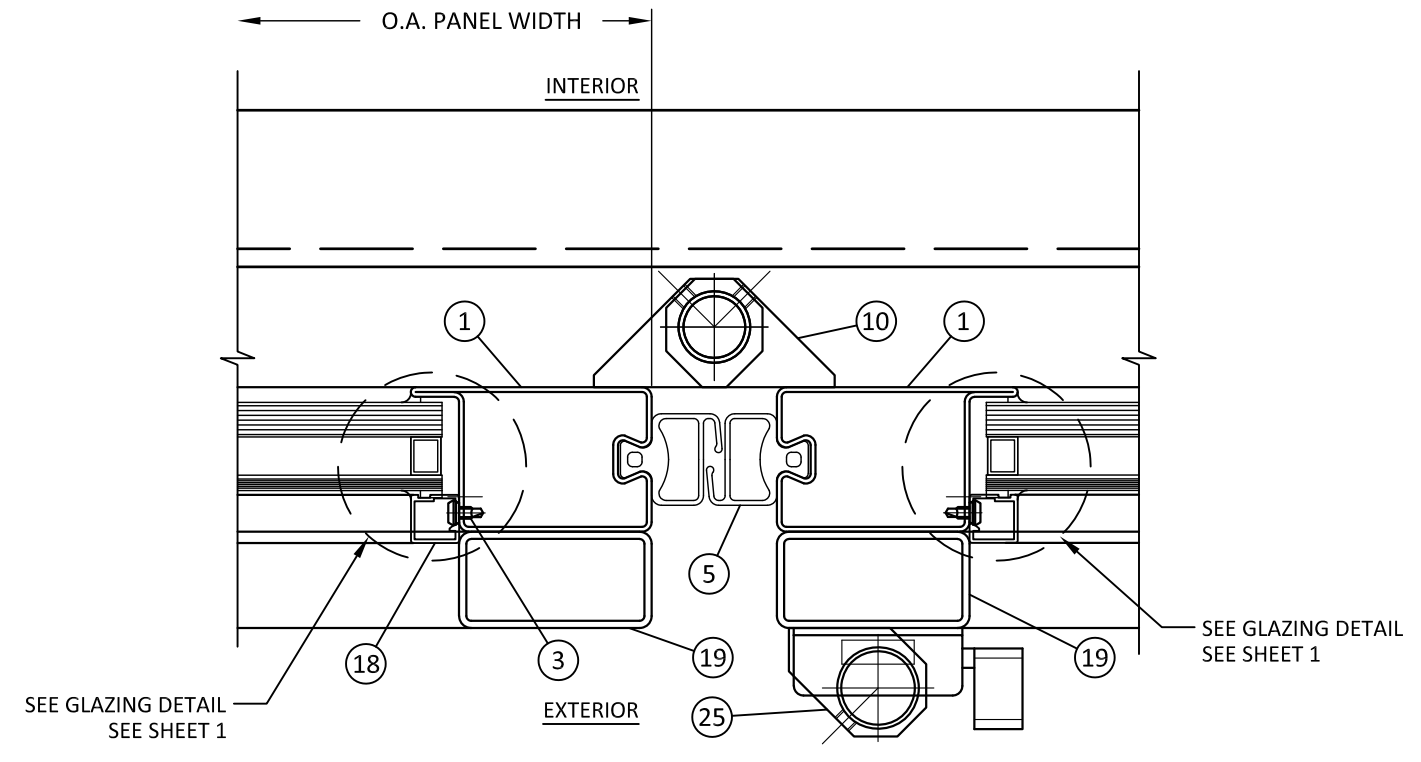


HERMES F. NORERO, P.E.
 TEXAS P.E. No 118471
 BUILDING DROPS, INC
 398 E. DANIA BEACH BLVD. # 338
 DANIA BEACH, FL 33004
 TBPE CERT. OF AUTHORIZATION No. 13734

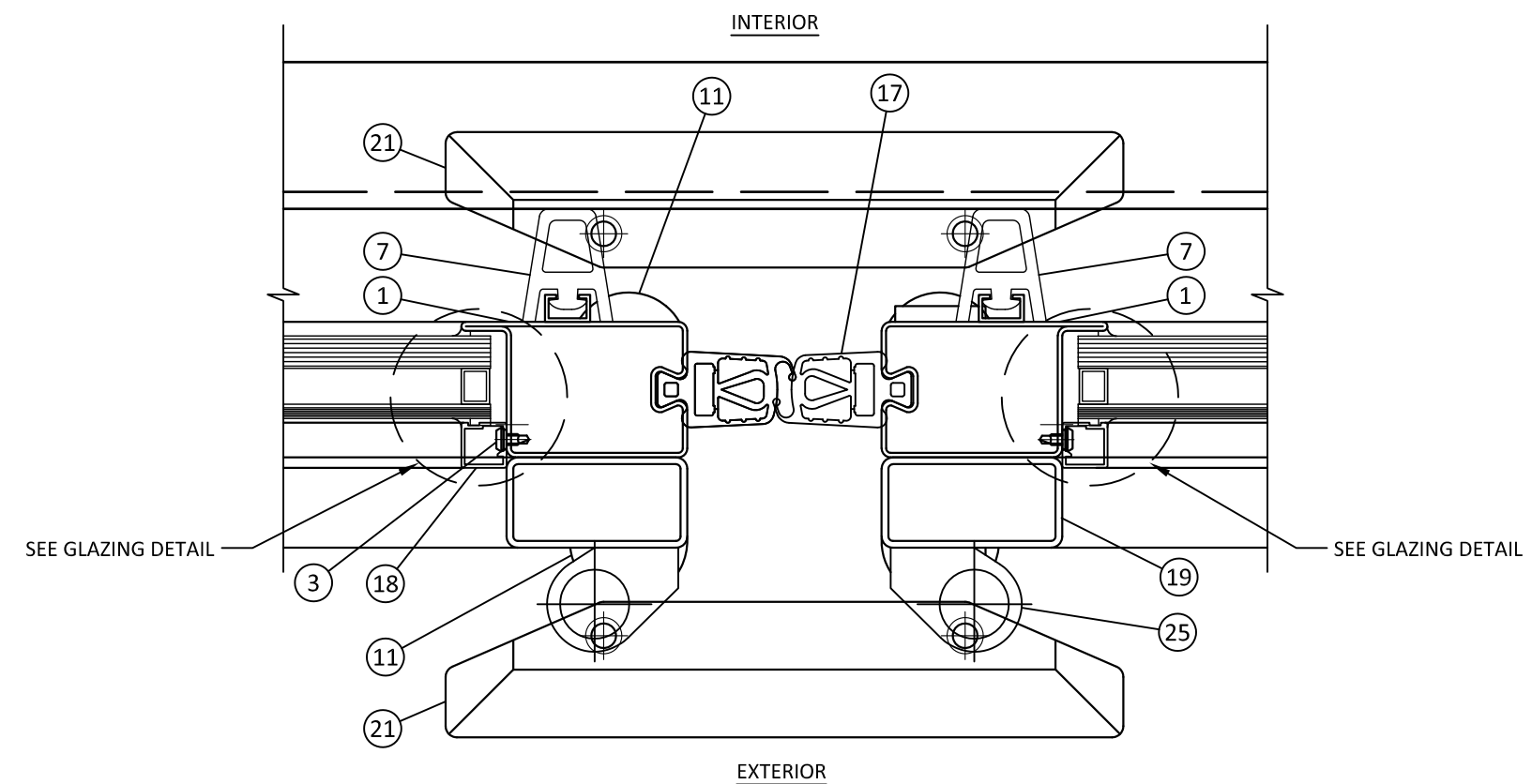
DATE:	11.14.18
DWG. BY:	HR
CHK. BY:	HFN
SCALE:	NTS
DWG. #:	BNA002
SECTION:	5



A HORIZONTAL SECTION
5 JAMB



B HORIZONTAL SECTION
5 HINGE



C HORIZONTAL SECTION
5 ASTRASGAL

s:\projects\bator north america\tdi-21-1233 - re-evaluation - dtd075 bator hurricane four-fold door\dwg\bnm002.dwg
 1/12/2022 6:19 PM

TITLE: BATOR HURRICANE FOUR FOLD DOOR
 STEEL BI-FOLDING DOOR ASSEMBLY
INSTALLATION NOTES AND ANCHOR DETAILS AND SCHEDULE

PREPARED BY: BUILDING DROPS, INC.
 398 E. DANIA BEACH BLVD., STE. 338
 DANIA BEACH, FL 33004
 PH: (954)399-8478
 FAX: (954)744-4738
 WEB: www.buildingdrops.com

REMARKS	BY	DATE
A. 2018 CODE UPDATE	MS	JAN/22

THE INSTALLATION DETAILS DESCRIBED HEREIN ARE GENERIC AND MAY NOT REFLECT ACTUAL CONDITIONS FOR A SPECIFIC SITE. IF SITE CONDITIONS CAUSE INSTALLATION TO DEVIATE FROM THE REQUIREMENTS DETAILED HEREIN, A LICENSED ENGINEER OR ARCHITECT SHALL PREPARE SITE SPECIFIC DOCUMENTS FOR USE WITH THIS DOCUMENT



HERMES F. NORERO, P.E.
 TEXAS P.E. No 118471
 BUILDING DROPS, INC
 398 E. DANIA BEACH BLVD., # 338
 DANIA BEACH, FL 33004
 TBPE CERT. OF AUTHORIZATION No. 13734

DATE: **11.14.18**

DWG. BY: **HR** CHK. BY: **HFN**

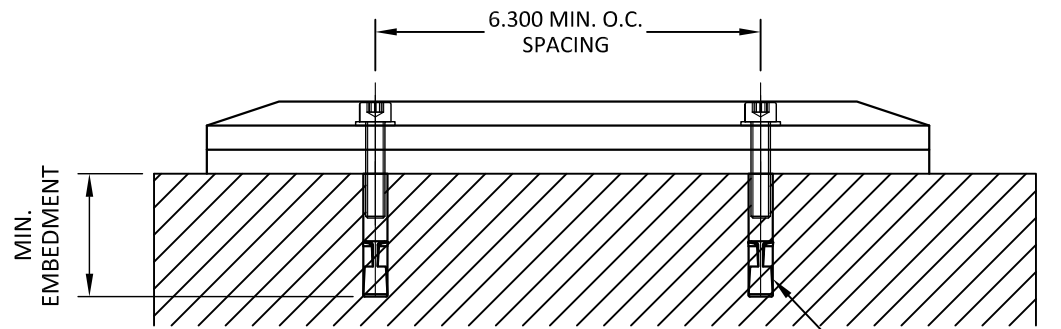
SCALE: **NTS**

DWG. #: **BNA002**

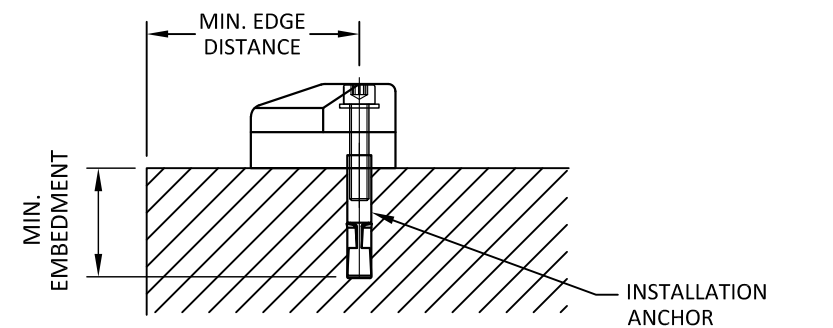
SECTION:

6

OF 8



C
6
ANCHOR DETAIL
 PAD ELEVATION



D
6
ANCHOR DETAIL
 PAD SECTION

ANCHOR	SUBSTRATE	EMBEDMENT	EDGE DISTANCE
3/8" Power-Bolt	3000 PSI CONCRETE	3-1/2"	3-3/4"
3/8" TEK SCREW	1/4" THICK STEEL, MIN. FY = 33 KSI OR 3/8" THICK 6063-T5 ALUMINUM	3 THREADS MIN PENETRATION BEYOND METAL	3/4"
3/8" LAG SCREW	SG = 0.42 WOOD	3"	1-1/2"

- ALL ANCHOR TYPES LISTED ABOVE VALID FOR MIN. SPECIFIED SUBSTRATE OR GREATER
- ANCHOR OPTION MUST MEET MINIMUM EMBEDMENT, EDGE DISTANCE SPECIFIED

ANCHOR TABLE A - HEADER

ANCHOR	SUBSTRATE	EMBEDMENT	EDGE DISTANCE
3/8" Power-Bolt	3000 PSI CONCRETE	2"	3-3/4"
1/2" Power-Bolt	1500 PSI GROUT-FILLED MASONRY	3"	7-7/8"
3/8" TEK SCREW	1/4" THICK STEEL, MIN. FY = 33 KSI OR 3/8" THICK 6063-T5 ALUMINUM	3 THREADS MIN PENETRATION BEYOND METAL	3/4"
3/8" LAG SCREW	SG = 0.42 WOOD	3"	1-1/2"

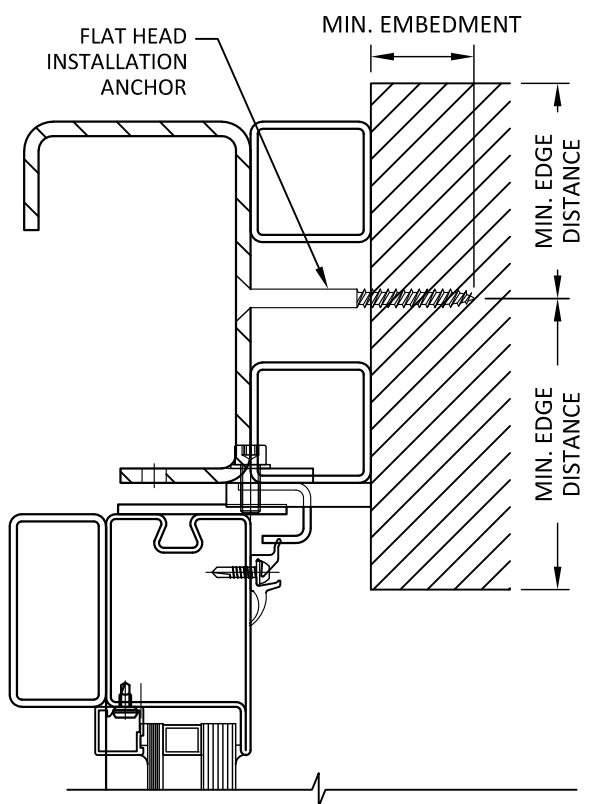
- ALL ANCHOR TYPES LISTED ABOVE VALID FOR MIN. SPECIFIED SUBSTRATE OR GREATER
- ANCHOR OPTION MUST MEET MINIMUM EMBEDMENT, EDGE DISTANCE SPECIFIED

ANCHOR TABLE B - JAMB

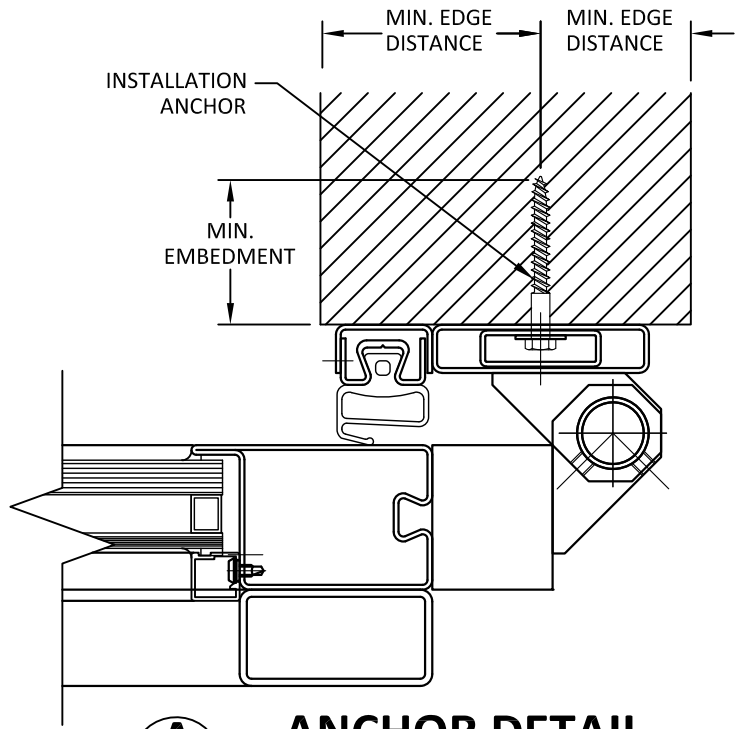
ANCHOR	SUBSTRATE	EMBEDMENT	EDGE DISTANCE
1/2" Power-Bolt	3000 PSI CONCRETE	2-1/2"	6"

- ALL ANCHOR TYPES LISTED ABOVE VALID FOR MIN. SPECIFIED SUBSTRATE OR GREATER
- ANCHOR OPTION MUST MEET MINIMUM EMBEDMENT, EDGE DISTANCE SPECIFIED

ANCHOR TABLE C - SILL



B
6
ANCHOR DETAIL
 HEAD



A
6
ANCHOR DETAIL
 JAMBS

INSTALLATION NOTES:

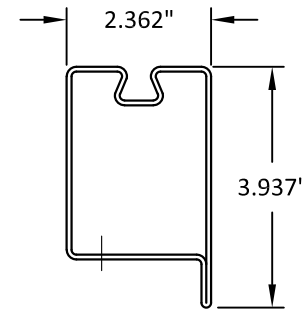
1. **ONE (1) INSTALLATION ANCHOR** IS REQUIRED AT EACH ANCHOR LOCATION SHOWN, UNLESS OTHERWISE SHOWN.
2. THE NUMBER OF INSTALLATION ANCHORS DEPICTED IS THE MINIMUM NUMBER OF ANCHORS TO BE USED FOR PRODUCT INSTALLATION.
3. INSTALL INDIVIDUAL INSTALLATION ANCHORS WITHIN A TOLERANCE OF ±1/2 INCH OF THE DEPICTED LOCATION IN THE ANCHOR LAYOUT DETAIL (I.E., WITHOUT CONSIDERATION OF TOLERANCES). TOLERANCES ARE NOT CUMULATIVE FROM ONE INSTALLATION ANCHOR TO THE NEXT.
4. MINIMUM EMBEDMENT AND EDGE DISTANCE EXCLUDE WALL FINISHES, INCLUDING BUT NOT LIMITED TO STUCCO, FOAM, BRICK VENEER, AND SIDING.
5. INSTALLATION ANCHORS AND ASSOCIATED HARDWARE MUST BE MADE OF CORROSION RESISTANT MATERIAL OR HAVE A CORROSION RESISTANT COATING.
6. FOR HOLLOW BLOCK AND GROUT FILLED BLOCK, DO NOT INSTALL INSTALLATION ANCHORS INTO MORTAR JOINTS. EDGE DISTANCE IS MEASURED FROM FREE EDGE OF BLOCK OR EDGE OF MORTAR JOINT INTO FACE SHELL OF BLOCK.
7. INSTALLATION ANCHORS SHALL BE INSTALLED IN ACCORDANCE WITH ANCHOR MANUFACTURER'S INSTALLATION INSTRUCTIONS, AND ANCHORS SHALL NOT BE USED IN SUBSTRATES WITH STRENGTHS LESS THAN THE MINIMUM STRENGTH SPECIFIED BY THE ANCHOR MANUFACTURER.
8. INSTALLATION ANCHOR CAPACITIES FOR PRODUCTS HEREIN ARE BASED ON SUBSTRATE MATERIALS WITH THE FOLLOWING PROPERTIES:
 - A. WOOD - MINIMUM SPECIFIC GRAVITY OF 0.42.
 - B. CONCRETE -MINIMUM COMPRESSIVE STRENGTH OF 3000 PSI.
 - C. MASONRY - STRENGTH CONFORMANCE TO ASTM C-90, HOLLOW BLOCK CMU MINIMUM COMPRESSIVE STRENGTH OF 1500 PSI.
 - D. A36 STEEL - MINIMUM YIELD STRENGTH OF 33 KSI. MINIMUM WALL THICKNESS OF 1/4".
 - E. 6063-T5 ALUMINUM - MINIMUM 3/8" WALL THICKNESS.

s:\projects\bator_north_america\18-21-1233 - fdi_submittal - re-evaluation - df-075 bator_hurricane_four-fold_door\dwgs\bna002.dwg 1/12/2022 6:19 PM

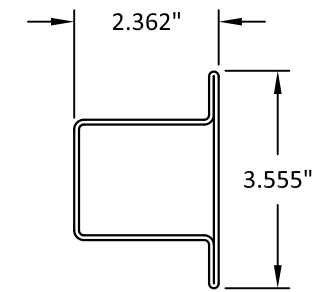
BILL OF MATERIALS

ITEM NO.	DESCRIPTION	PART No.	MATERIAL	MANUFACTURER
1	FLANGE PROFILE, PERFORRATED	100155	A513 STEEL	WELSER AG
2	FLANGE PROFILE	100126	A513 STEEL	MÜLLER AG
3	STEEL BUTTON	102959	A513 STEEL	FORSTER PROFILSYSTEME AG
4	WELDED FLAT BAR	100566	A513 STEEL	MÜLLER AG
5	RUBBER SEAL PROFILE	100783	-	MOBIL WERKE AG
6	RUBBER SWORD PROFILE	100782	-	FLEVO RUBBER EXTRUSION B.V.
7	RUBBER PROFILE A-SHAPE	101539	-	MOBIL WERKE AG
8	RUBBER PROFILE	100366	-	-
9	PRECISION STEEL TUBE	100017	A513 STEEL	MÜLLER AG
10	HINGE 120 MSB	101228	-	BRÜGGER MECHANIK AG
11	ROLL (2" DIA.)	101377	-	CELLPACK AG
12	CHARIOT COMPL. RIGHT BR60	101356	-	BATOR AG
13	GUIDE BOX (5.09")	100642	A513 STEEL	PROFIBLECH AG
14	FLAT BAR WITH ANGLE	100411	A513 STEEL	MÜLLER AG
15	LOCK BAR LEFT HANDLE	101134	-	MTS METALLBAUBESCHLÄGE AG
16	LOCK BAR RIGHT HANDLE	101136	-	MTS METALLBAUBESCHLÄGE AG
17	RUBBER PROFILE FOR CONTACT SWITCHED	100768	-	MOBIL WERKE AG
18	GLAZING BEAD	100336	ALUMINIUM	ALUMINIUM-LAUFEN AG
19	1-9/16" X 3-5/32" STEEL TUBE	100173	S235 JR	MÜLLER AG
20	1-9/16" X 1-31/32" STEEL TUBE	100202	A513 STEEL	MÜLLER AG
21	PAD FOR CAM	100440 + 100425	-	MÜLLER AG
22	1.969" X 2.362" STEEL BAR	100569	A513 STEEL	MÜLLER AG
23	PRECISION STEEL TUBE WITH FLAT BAR	100017 + 100548	S235 JR	MÜLLER AG
24	LOCK BAR PAD	100926	PLASTIC	MÜLLER AG
25	HINGE 1.18" DIAMETER	101228	A513 STEEL	BRÜGGER MECHANIK AG
26	JAMB COMPONENT 1	-	E235 STEEL	-
27	JAMB COMPONENT 2	-	E235 STEEL	-
28	C SHAPE JAMB	-	-	-
29	LOCK BAR	100468 + 100443	A513 STEEL	BATOR AG

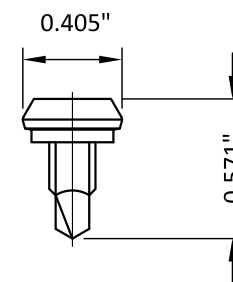
1 FLANGE PROFILE, PERFORRATED



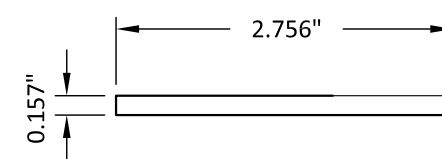
2 FLANGE PROFILE



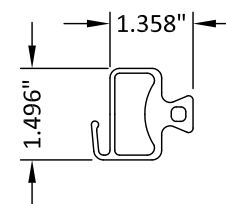
3 STEEL BUTTON



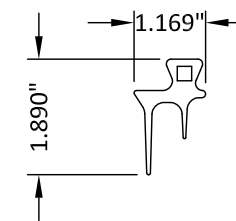
4 WELDED FLAT BAR



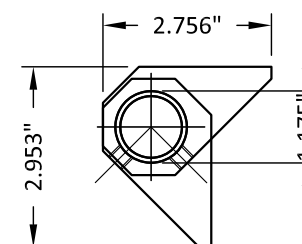
5 RUBBER SEAL PROFILE



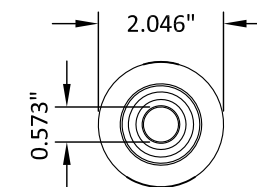
6 RUBBER SWORD PROFILE



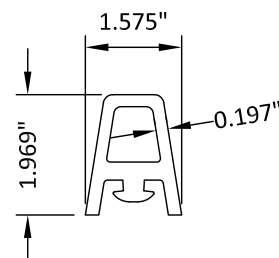
10 HINGE 120 MSB



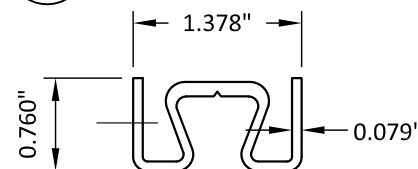
11 ROLL (2" DIA.)



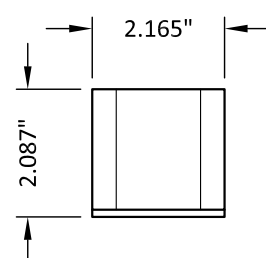
7 RUBER PROFILE A-SHAPE



8 RUBBER PROFILE



9 PRECISION STEEL TUBE



bator®

BATOR NORTH AMERICA
1451 S ELM-EUGENE ST
GREENSBORO, NC 27406
PH: (336)907-2286 FAX: (336)907-2287

TITLE: BATOR HURRICANE FOUR FOLD DOOR
STEEL BI-FOLDING DOOR ASSEMBLY

BILL OF MATERIALS
& COMPONENTS

PREPARED BY: BUILDING DROPS, INC.
398 E. DANIA BEACH BLVD., STE. 338
DANIA BEACH, FL 33004
PH: (954)399-8478
FAX: (954)744-4738
WEB: www.buildingdrops.com

REMARKS	BY	DATE
A. 2018 CODE UPDATE	MS	JAN/22

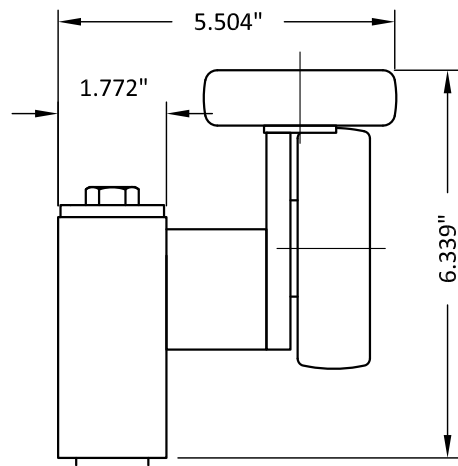
THE INSTALLATION DETAILS DESCRIBED HEREIN ARE GENERIC AND MAY NOT REFLECT ACTUAL CONDITIONS FOR A SPECIFIC SITE. IF SITE CONDITIONS CAUSE INSTALLATION TO DEVIATE FROM THE REQUIREMENTS DETAILED HEREIN, A LICENSED ENGINEER OR ARCHITECT SHALL PREPARE SITE SPECIFIC DOCUMENTS FOR USE WITH THIS DOCUMENT



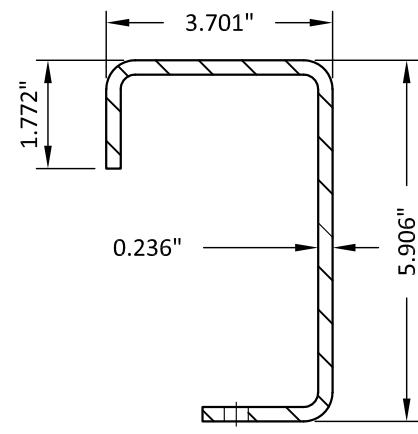
HERMES F. NORERO, P.E.
TEXAS P.E. No 118471
BUILDING DROPS, INC
398 E. DANIA BEACH BLVD. # 338
DANIA BEACH, FL 33004
TBPE CERT. OF AUTHORIZATION No. 13734

DATE:	11.14.18
DWG. BY:	HR
CHK. BY:	HFN
SCALE:	NTS
DWG. #:	BNA002
SECTION:	7

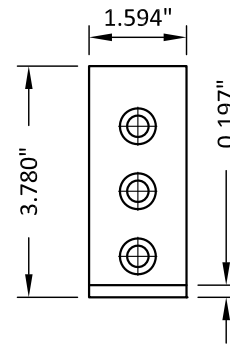
12 CHARIOT COMPL. RIGHT BR60



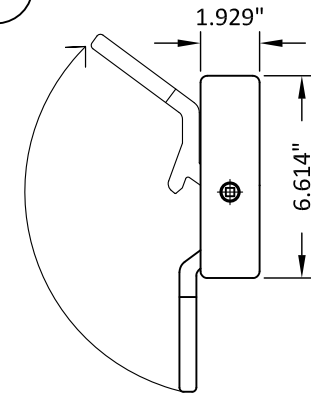
13 GUIDE BOX (5.09\")



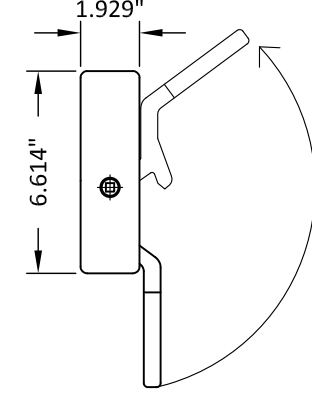
14 FLAT BAR WITH ANGLE A513 STEEL



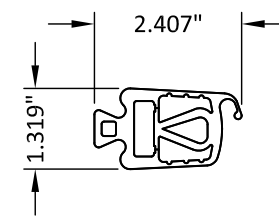
15 LOCK BAR LEFT HANDLE



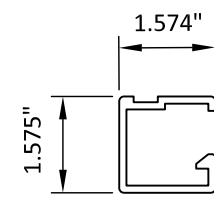
16 LOCK BAR RIGHT HANDLE



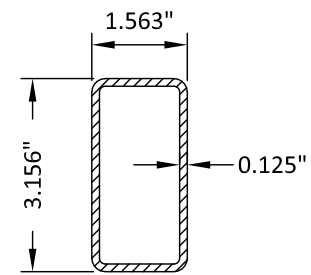
17 RUBBER PROFILE FOR CONTACT SWITCH



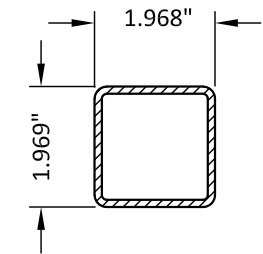
18 GLAZING BEAD ALUMINUM



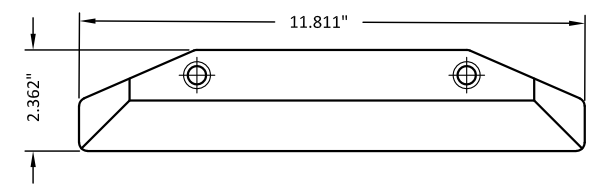
19 STEEL TUBE 1-9/16\" x 3-5/32\"



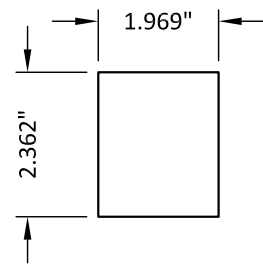
20 STEEL TUBE 1-9/16\" x 1-31/32\"



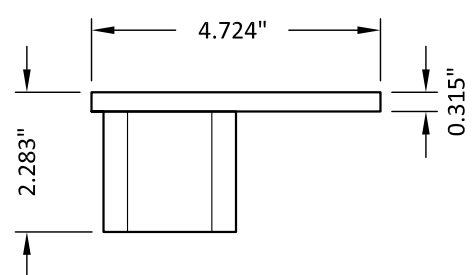
21 PAD FOR CAM



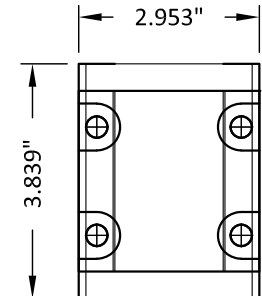
22 STEEL BAR



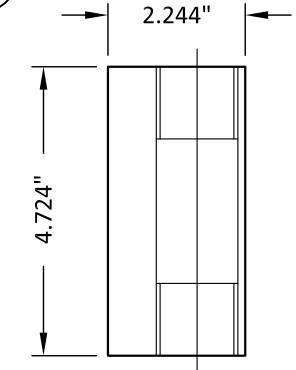
23 PRECISION STEEL TUBE



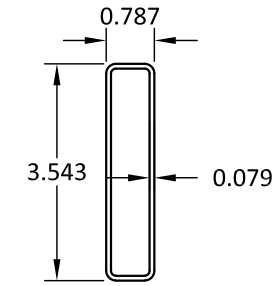
24 LOCK BAR PAD



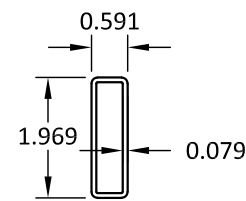
25 HINGE 1.18\" DIAMETER



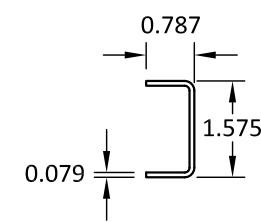
26 JAMB COMPONENT 1



27 JAMB COMPONENT 1



28 C SHAPE JAMB



bator[®]

BATOR NORTH AMERICA
1451 S ELM-EUGENE ST
GREENSBORO, NC 27406
PH: (336)907-2286 FAX: (336)907-2287

TITLE: BATOR HURRICANE FOUR FOLD DOOR
STEEL BI-FOLDING DOOR ASSEMBLY

COMPONENTS

PREPARED BY: BUILDING DROPS, INC.
398 E. DANIA BEACH BLVD., STE. 338
DANIA BEACH, FL 33004
PH: (954)399-8478
FAX: (954)744-4738
WEB: www.buildingdrops.com

REMARKS	BY	DATE
A. 2018 CODE UPDATE	MS	JAN/22

THE INSTALLATION DETAILS DESCRIBED HEREIN ARE GENERIC AND MAY NOT REFLECT ACTUAL CONDITIONS FOR A SPECIFIC SITE. IF SITE CONDITIONS CAUSE INSTALLATION TO DEVIATE FROM THE REQUIREMENTS DETAILED HEREIN, A LICENSED ENGINEER OR ARCHITECT SHALL PREPARE SITE SPECIFIC DOCUMENTS FOR USE WITH THIS DOCUMENT



HERMES F. NORERO, P.E.
TEXAS P.E. No 118471
BUILDING DROPS, INC
398 E. DANIA BEACH BLVD. # 338
DANIA BEACH, FL 33004
TBPE CERT. OF AUTHORIZATION No. 13734

DATE:	11.14.18
DWG. BY:	HR
CHK. BY:	HFN
SCALE:	NTS
DWG. #:	BNA002
SECTION:	



1/12/2022 6:19 PM s:\projects\bator_north_america\tdi-21-1233 - fdi_submittal - re-evaluation - dr-075_bator_hurricane_four-fold_door\dwgs\bna002.dwg